

START
↓

AlphaStation 200 4/100 166 233


Order Number	Oper. System	Aplic.	WorkStations, 64Bits	100MHz
#1 PB410-EB	Digital UNIX	CASE	32MB	1GB NI ATImach64
PB410-DB	Digital UNIX	CAD 2D	32MB	1GB NI ZLXp-E1
PB410-FB	Digital UNIX	Multi med	32MB RX,CD	1GB NI ZLXp-E1
PB411-EB	OpenVMS	CASE	32MB	1GB NI ATImach64
PB411-DB	OpenVMS	CAD 2D	32MB	1GB NI ZLXp-E1

Order Number	Oper. System	Aplic.	WorkStations, 64Bits	166MHz
PB422-AB	Windows NT	CAD 2D	32MB RX,CD	1GB NI ZLXp-E1
PB420-AB	Digital UNIX	CAD 2D	32MB RX,CD	1GB NI ZLXp-E1
PB420-BB	Digital UNIX	CAD 3D	64MB RX,CD	2GB NI ZLXp-L1
PB421-AB	OpenVMS	CAD 2D	32MB RX,CD	1GB NI ZLXp-E1

Order Number	Oper. System	Aplic.	WorkStations, 64Bits	233MHz
PB432-AB	Windows NT	CAD 2D	32MB RX,CD	1GB NI ZLXp-E1
PB430-BB	Digital UNIX	CAD 2D	64MB RX,CD	1GB NI ZLXp-E1
PB430-CB	Digital UNIX	CAD 3D	64MB RX,CD	2GB NI ZLXp-L1
PB431-BB	OpenVMS	CAD 2D	64MB RX,CD	1GB NI ZLXp-E1

For 240V Use, Select Power Cord and Keyboard.

#2 1x **BN19C-2E** EUROPE **BN19A-2E** **GB** **BN19K-2E** **DK** **BN19M-2E** **I**
 or **BN19E-2E** **CH** **BN19L-2E** **IL** **BN19S-2E** India

Keyboard	SVGA Color Monitor
#3 LK471 -AE GB -AH NL -AN N NT/UNIX -AB B -AI I -AP F	 VRT17-PA 17" VRC21-PA 21"
#4 LK461 -AD DK -AK CHF -AS E OVMS -AF FI -AL CHG -AT IL -AG D -AM S -AV P	

Internal Options:

Memory Expansion

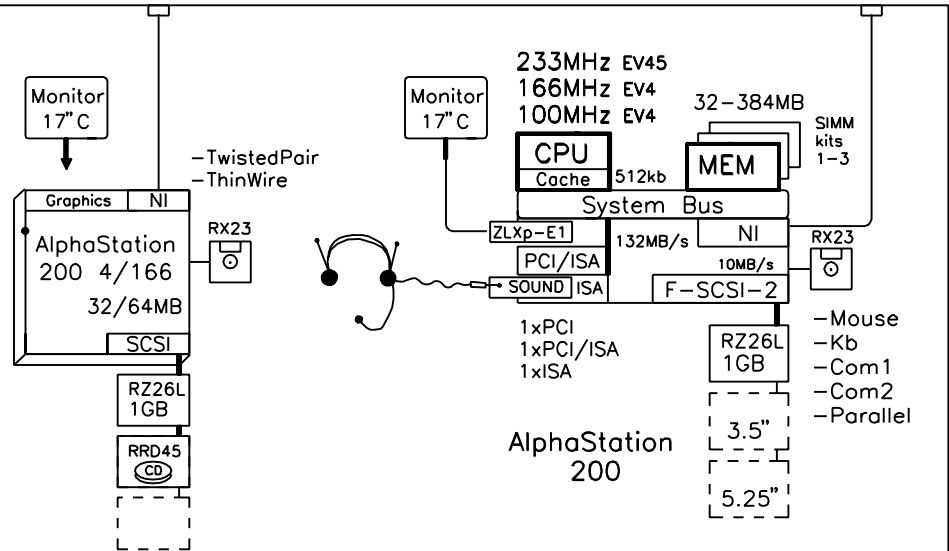
MSP01-AB	16MB kit	System	Max memory
MSP01-AC	32MB kit	kit kit 32 MB	3x 128MB
MSP01-AD	64MB kit		= 384MB
MSP01-AE	128MB kit		

Internal Storage

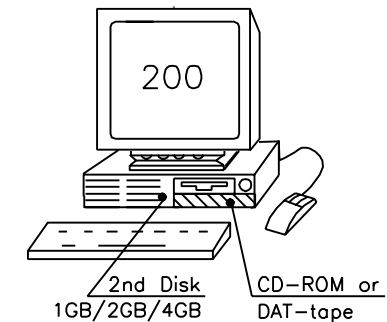
PBXRZ-EB	1.05GB hard disk	PBXRZ-AA	1.44MB RX
PBXRZ-HB	2.1GB hard disk	PBXRZ-AA	600MB CD
PBXRZ-NA	4.3GB hard disk	PBXTL-CA	8GB DAT

Controllers

KZPAA-AA	PCI-based Fast SCSI-2 Controller
DE450-CA	PCI-based Ethernet Controller
PBXGA-AA	PCI-based ZLXp-E1 8PL Graphics UNIX & VMS
PBXGA-BA	PCI-based ZLXp-E2 24PL Graphics UNIX & VMS
PBXGA-CA	PCI-based ZLXp-E3 24PL Z Graphics UNIX & VMS
PBXGA-AN	PCI-based ZLXp-E1 8PL Graphics NT
PBXGA-BN	PCI-based ZLXp-E2 24PL Graphics NT
PBXGA-CN	PCI-based ZLXp-E3 24PL Z Graphics NT



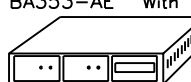


AlphaStation



Licenses included per system type:

- Windows NT Workstation V3.51 media kit, Communique! license and CD-ROM, Digital Light & Sound license and CD-ROM.
- Digital UNIX V3.2C 2-user base license, DEC Open3D license, Multimedia Services license, NAS 150 license, Communique! license and CD-ROM.
- OpenVMS V6.2 base license, DEC Open3D license, NAS 150 license, VMScluster Client license, Multimedia Services license.

External Options:

BA353-AA	Empty Box
BA353-AE	With RRD43
	BN21H-01 SCSI Cable 1m
	BN19C-2E 240V
	RZ28-VA 2GB
	TLZ07-VA 8GB DAT

SPECint92	SPECfp92	
75	96	100MHz
116	135	166MHz
158	184	233MHz

Software Processor Code: E

GEAW200A

digital 25-Feb-1996 Detail Layer
 GOLDaw02004166a

AlphaStation 200 4/100 166 233
 GOLDEN EGGS Visual Configurations, Helsinki

200