

DIGITAL AlphaServer 800 Series Illustrated Parts Breakdown

Order Number: EK-ASV80-IP B01

Digital Equipment Corporation
Maynard, Massachusetts

Digital Equipment Corporation reserves the right, without notice, to make substitutions and modifications in the specifications of products documented in this manual and further reserves the right to withdraw any of these products from the market without notice.

Digital Equipment Corporation is not responsible for errors which may appear in the technical description (including illustrations and photographs) of the products covered by this manual.

None of the descriptions contained in this manual imply the granting of any license whatsoever to make, use or sell equipment constructed in accordance therewith.

Restricted Rights: Use, duplication or disclosure by the U.S. Government is subject to restrictions as set forth in subparagraph (c) (1) (ii) of the Rights in Technical Data and Computer Software clause at DFARS 252.227-2713.

Copyright ©1997, 1998 by Digital Equipment Corporation. All rights reserved.
Printed in U.S.A.

The following are trademarks of Digital Equipment Corporation :
Alpha, AlphaServer, DIGITAL, Open VMS, ThinWire, and the DIGITAL logo.

The following are third party trademarks:
IBM is a registered trademark of International Business Machines, Inc.
Microsoft and Windows NT are registered trademarks of Microsoft Corporation.
UNIX is a registered trademark in the United States and other countries, licensed exclusively through X/Open Company Ltd.

Reader's Comments

DIGITAL welcomes your comments on this manual.
You can send your comments to DIGITAL at the address below:

Digital Equipment Corporation
Servers Engineering and Technical Services
129 Parker Street
PKO3-1/C20
Maynard, MA 01754-2199

Please reference EK-ASV80-IP.B01 in your correspondence.

ILLUSTRATED PARTS BREAKDOWN

DIGITAL AlphaServer 800 Series

ILLUSTRATED PARTS BREAKDOWN (IPB)

The IPB is used to identify a part and its location in a hardware product. The document references specific item numbers in the associated parts list.

HOW TO USE THE IPB

1. Locate the figure containing the item of interest.
2. Locate the number (callout) of the item of interest.
3. Locate that item number in the associated parts list.

FORMAT

Each IPB is generally organized based on its first figure. All other assemblies and subassemblies are referenced from this figure. Each figure contains numeric callouts of all major parts (items).

PARTS LIST

Each parts list contains the following:

Figure and Item No. – Lists the figure number and its referenced numeric callout

Description – Presents the name and a brief description of the item. A single asterisk (*) preceding the description denotes item is a

subassembly to its referenced figure. A double asterisk (**) preceding the description indicates that this item is subordinate to the preceding single asterisk item.

DIGITAL Part No. – Lists the DIGITAL/Vendor part number. The letter in the column heading indicates the current revision level of the Engineering Drawing for the referenced figure.

ECO Cut-In – Lists the top assembly drawing number and revision level at first printing. All additional revisions to an item are listed in this column.

Used On Code – Lists letters referring to the product variation assigned in Figure 1. When this column is blank, the item is used in all variations.

Ref Fig No. – Lists a cross reference between figures within the IPB.

PART NUMBER/PART DESCRIPTION INDEX SECTION

Lists items by part number numerically, and description alphabetically. Items are also referenced to a location within the IPB by figure and item number.

ECO/REVISION HISTORY

OTHER IPB MANUALS REFERENCED

FIGURE NO.	ASSEMBLY	INITIAL LEVEL	CURRENT LEVEL	PRINTING DATE	OTHER IPB MANUALS REFERENCED
1	PB80B	00000	00002	MAR 1998	N/A
1	PB80P	00000	00002		
1	PB81B	00000	00002		
1	PB81P	00000	00002		
2	PB80A	00000	00001		
2	PB81A	00000	00000		
3	PB8HA	00000	00001		
4	PB8HA	00000	00001		
5	xxxxx	xxxxx	xxxxx		

INDICATES FRU LEVEL PARTS.

PARTS LIST

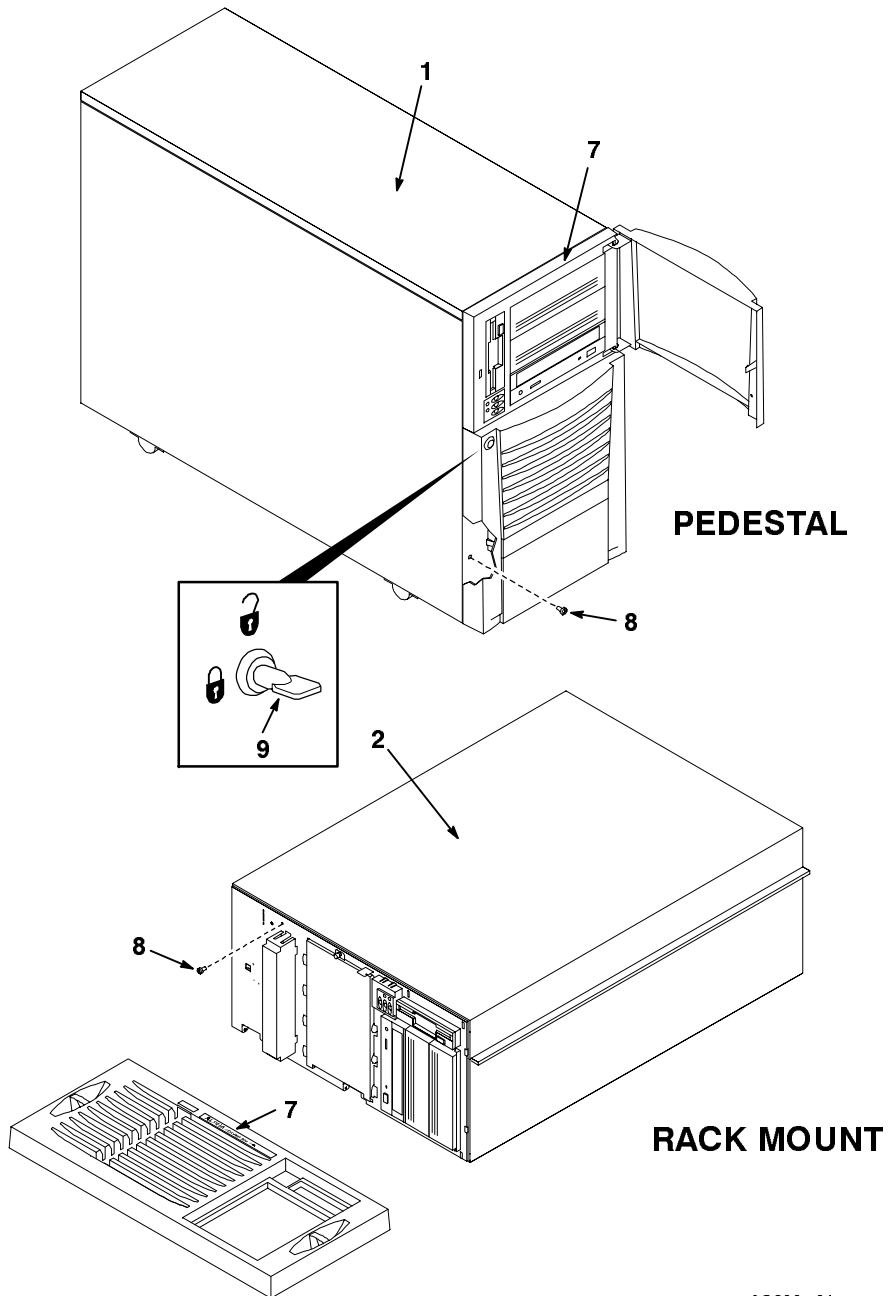
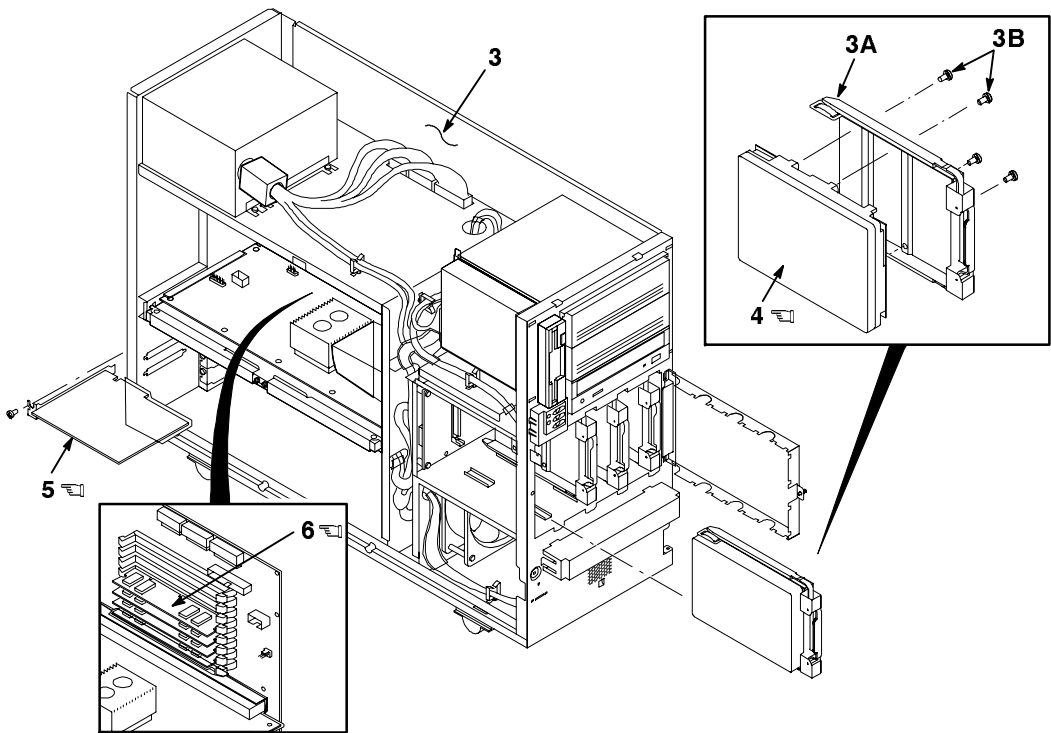


Figure 1. AlphaServer 800 Series (Sheet 1 of 2)

AS800-01

INDICATES FRU LEVEL PARTS.

PARTS LIST



AS800-02

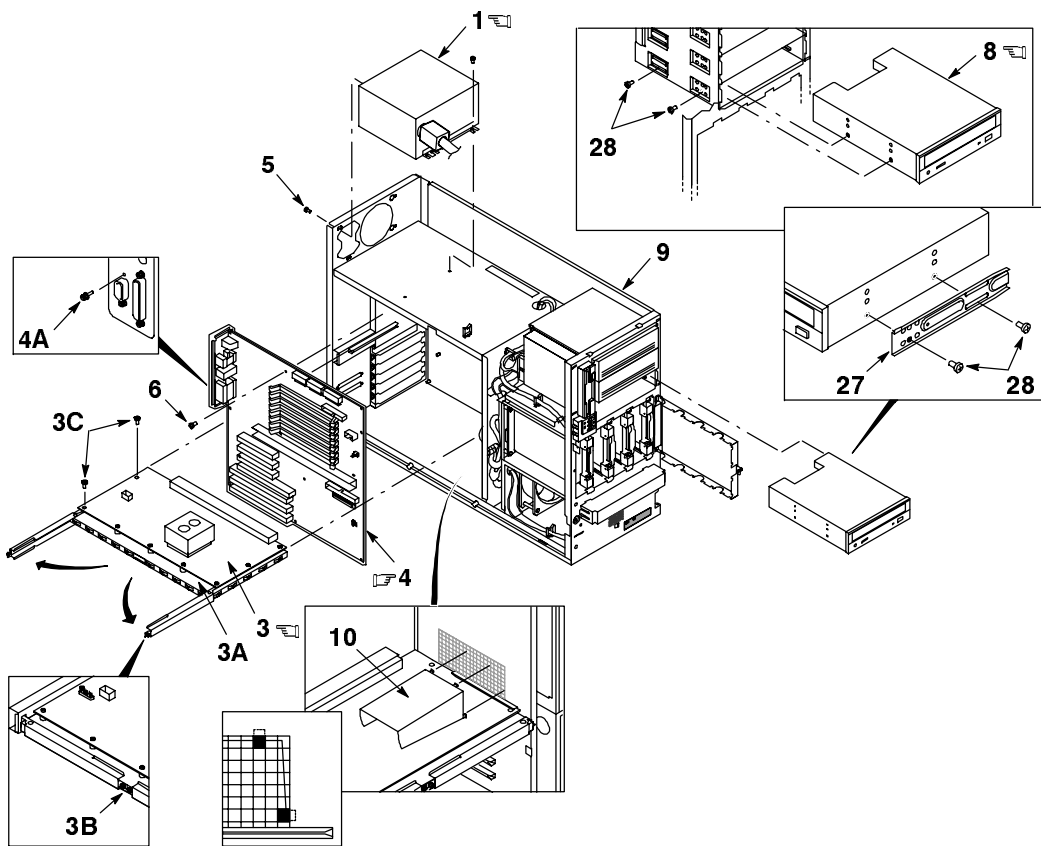
Figure 1. AlphaServer 800 Series (Sheet 2 of 2)

FIG.& ITEM NO.	DESCRIPTION	DIGITAL PART NO.	ECO CUT-IN	USED ON CODE	REF FIG NO.
1-	AlphaServer 800 Series				
A	AlphaServer 800 5/333 Packaged System	PB80B-**		A	
B	AlphaServer 800 5/333 Packaged System (RM)	PB80P-**		B	
C	AlphaServer 800 5/400 Packaged System	PB81B-**		C	
D	AlphaServer 800 5/400 Packaged System (RM)	PB81P-**		D	
E	AlphaServer 800 5/500 Packaged System	PB82B-**		E	
F	AlphaServer 800 5/500 Packaged System (RM)	PB82P-**		F	
	** Reference part number for specific variation.				
1	*KIT, PEDESTAL	PB8HA-BB		AC	3
2	*KIT, RACK MOUNT	PB8HA-BA		BD	4
3	*AlphaServer 800 5/333 KERNEL ASSEMBLY	PB80A-B9		AB	2
	*AlphaServer 800 5/400 KERNEL ASSEMBLY	PB81A-A9		CD	2
	*AlphaServer 800 5/500 KERNEL ASSEMBLY	PB82A-A9		EF	2
3A	**Hard Drive Assembly	70-33173-01			
3B	***Screw, Sems Pan Hd 6-32 x .250	90-09984-28			
☞ 4	*Disk Drive, Fast Wide SCSI, 2.1 GB	RZ28M-SB		CD	5
☞	*Disk Drive, Ultra SCSI, 4.3 GB	RZ1CB-SB			5
☞	*Disk Drive, Fast Wide SCSI, 1.05 GB	RZ26N-SB		AB	5
☞ 5	*Card, PCI Fast 10/100 Ethernet	DE500-AA			
☞ 6	*Memory, 32 MB (4 x 8 MB DIMMs)	PB8MA-AB		#	
☞	*Memory, 64 MB (4 x 16 MB DIMMs)	PB8MA-AC		#	
☞	*Memory, 128 MB (4 x 32 MB DIMMs)	PB8MA-AD		#	
☞	*Memory, 256 MB (4 x 64 MB DIMMs)	PB8MA-AE		#	
☞	*Memory, 512 MB (4 x 128 MB DIMMs)	PB8MA-AF		#	
☞	*Memory, 1 GB (4 x 256 MB DIMMs)	PB8MA-AG		#	
	# Note: Per Specific Configurations				
7	*Label, AlphaServer 800 5/400	36-48150-01		CD	
	*Label, AlphaServer 800 5/333	36-48150-02		AB	
	*Label, AlphaServer 800 5/500	36-48150-03		EF	
8	*Screw, Sems Pan Hd, M3 x 8 mm	90-09984-30			
9	*Key	12-37977-02		ACE	

FIG.& ITEM NO.	DESCRIPTION	DIGITAL PART NO.	ECO CUT-IN	USED ON CODE	REF FIG NO.
1-	AlphaServer 800 Series (continued)				
	INTERNAL STORAGE				5
	Power Cords, Pedestal, 2M Long, Black				
☞	Power Cord, (North America, Japan) (BN35A-01)	17-04357-01			
☞	Power Cord, (United Kingdom) (BN35J-02)	17-04364-01			
☞	Power Cord, (Switzerland) (BN35K-02)	17-04364-02			
☞	Power Cord, (India, South Africa) (BN35L-02)	17-04364-03			
☞	Power Cord, (Italy) (BN35M-02)	17-04364-04			
☞	Power Cord, (Israel) (BN35N-02)	17-04364-05			
☞	Power Cord, (Denmark) (BN35P-02)	17-04364-06			
☞	Power Cord, (Austria, Belgium, Finland, France, Germany, Holland, Norway, Sweden, Portugal, Spain) (BN35R-02)	17-04364-07			
☞	Power Cord, (Australia) (BN35S-02)	17-04364-08			
	Power Cords/Jumper, Rack, 4.5M Long, Black				
☞	Power Cord, 120V, (North America)	17-00083-58		BDF	
☞	Power Cord, 240V, (North America)	17-00083-61			
☞	Power Jumper, IEC 320 C14 Connector	17-04285-04			
☞	Power Jumper, IEC 320 C14 Conn. Harmonized	17-04522-02			

INDICATES FRU LEVEL PARTS.

PARTS LIST

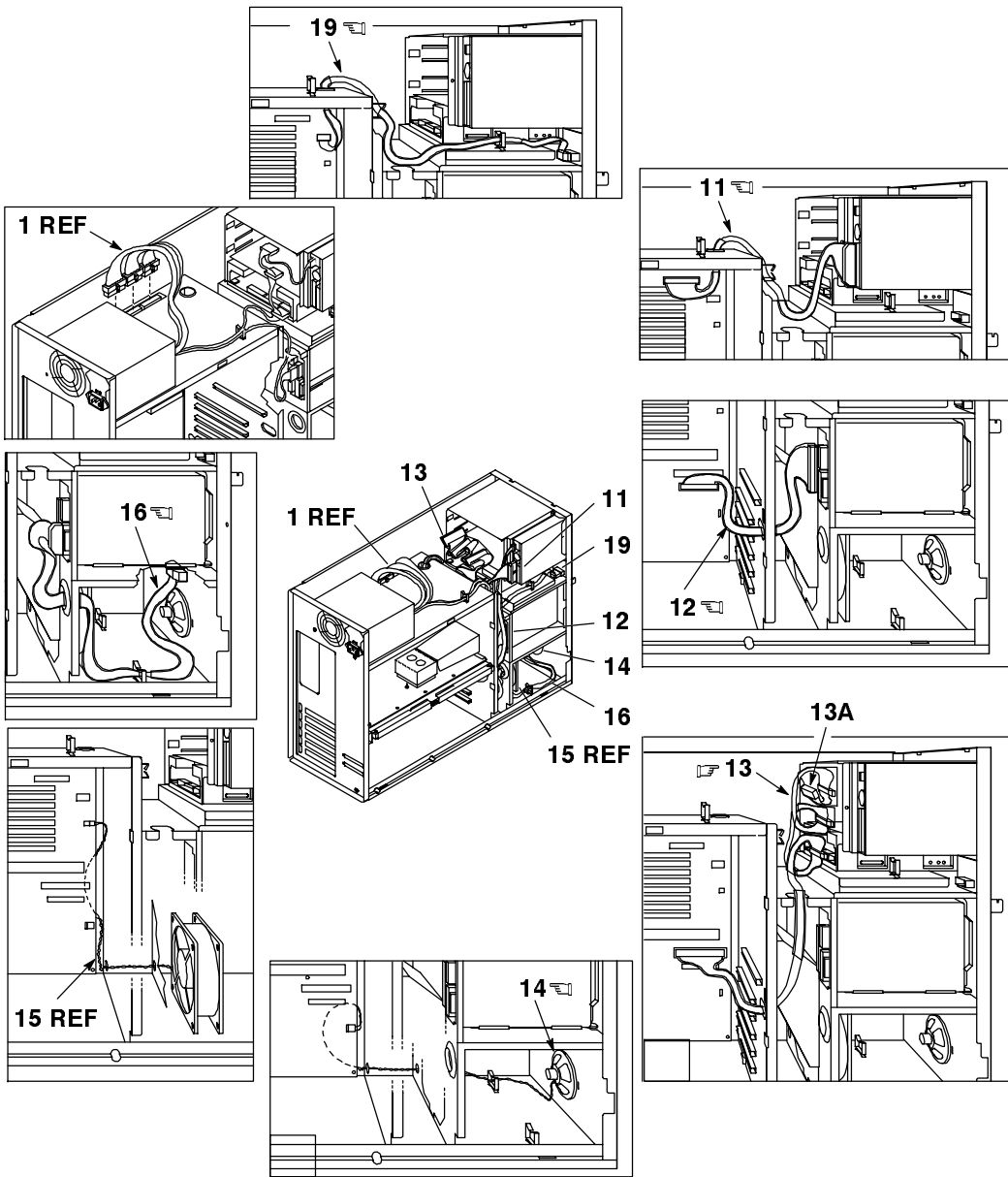


AS800-03

Figure 2. Kernel Assemblies (Sheet 1 of 3)

INDICATES FRU LEVEL PARTS.

PARTS LIST

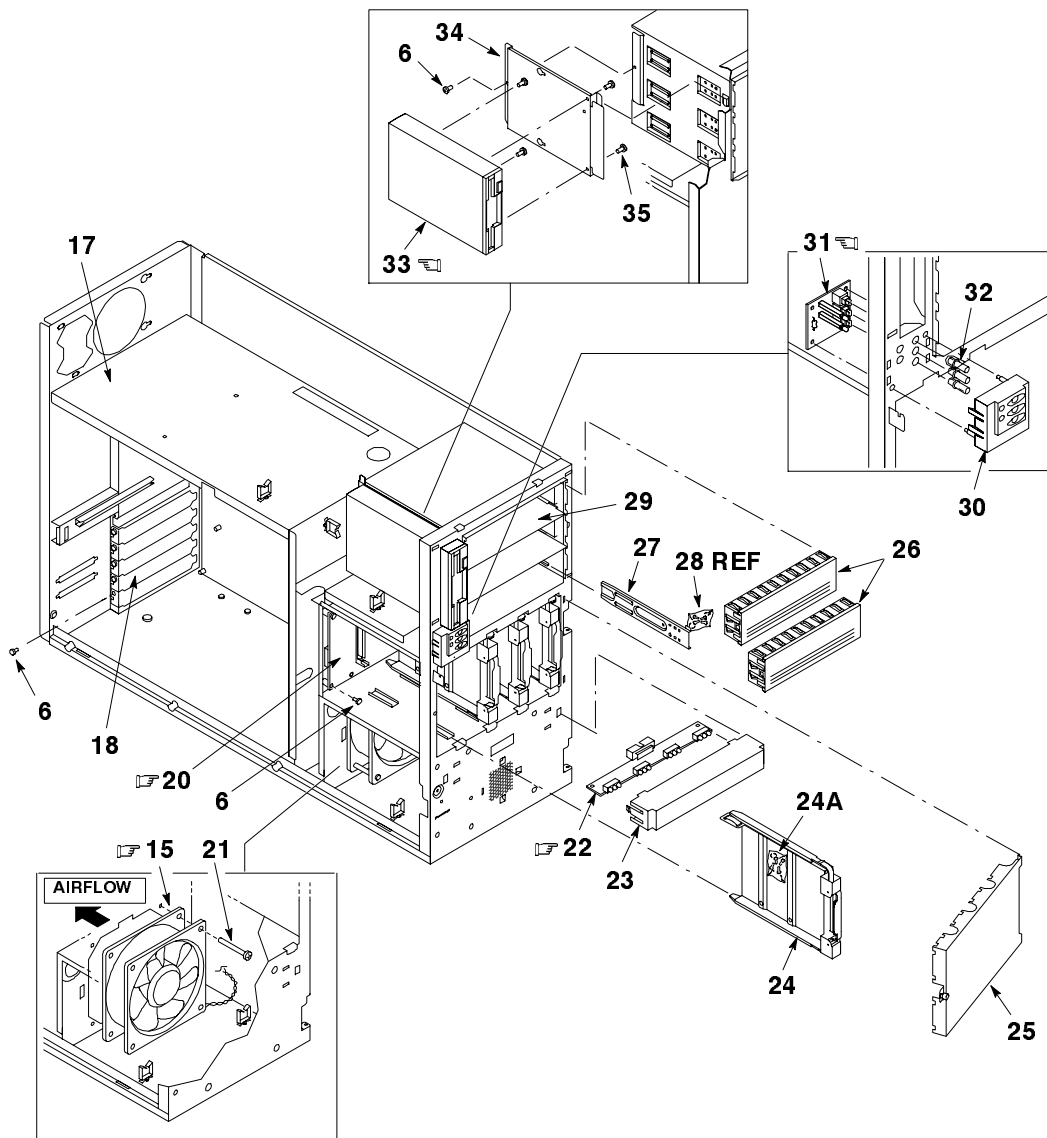


AS800-04

Figure 2. Kernel Assemblies (Sheet 2 of 3)

INDICATES FRU LEVEL PARTS.

PARTS LIST



AS800-05

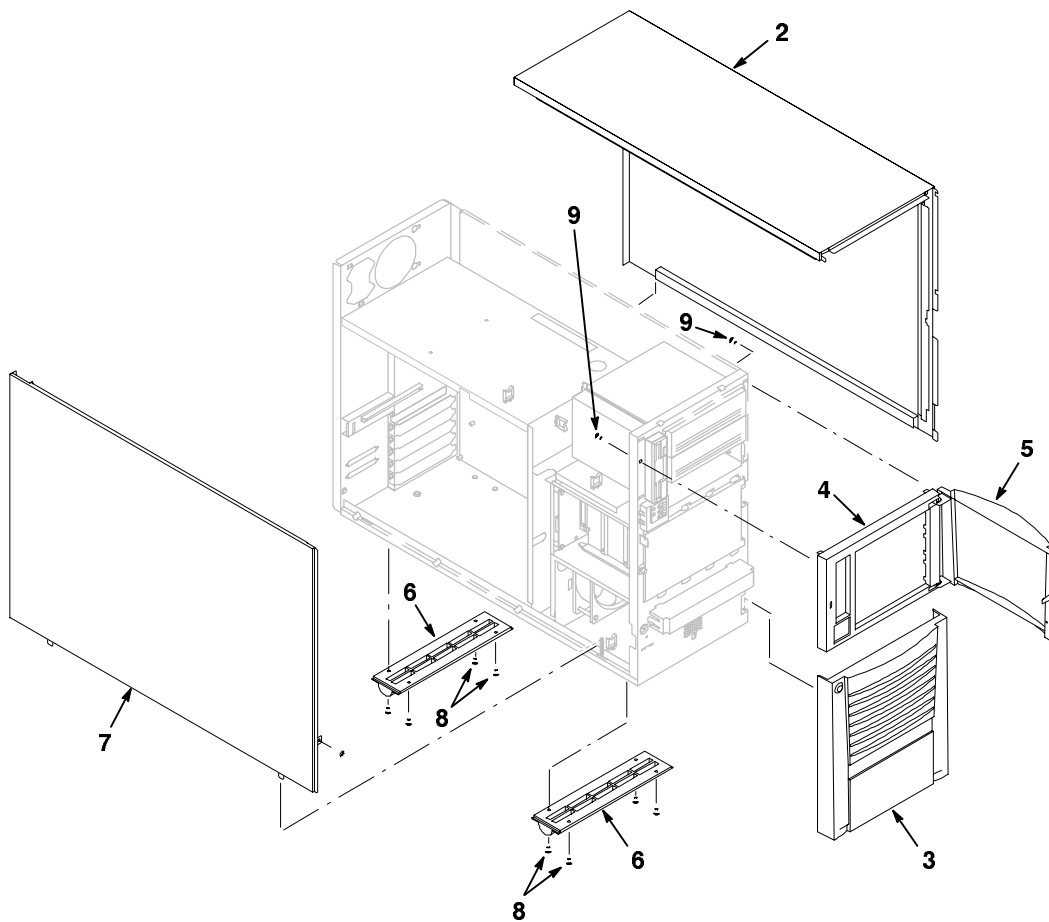
Figure 2. Kernel Assemblies (Sheet 3 of 3)

FIG.& ITEM NO.	DESCRIPTION	DIGITAL PART NO.	ECO CUT-IN	USED ON CODE	REF FIG NO.
2-	KERNEL ASSEMBLIES				
A	AlphaServer 800 5/333 ULTRA - SCSI KERNEL ASSEMBLY	PB80A-B9		A	1
B	AlphaServer 800 5/333 ULTRA - SCSI KERNEL ASSEMBLY	PB80A-C9		B	1
C	AlphaServer 800 5/400 KERNEL ASSEMBLY	PB81A-A9		C	1
D	AlphaServer 800 5/400 KERNEL ASSEMBLY	PB81A-B9		D	1
E	AlphaServer 800 5/500 KERNEL ASSEMBLY	PB82A-A9		E	1
☞ 1	*Power Supply, 300W, w/Harness	30-47661-02			
2	*Packaging (Not Shown)	37-01668-01			
☞ 3	*Module, CPU EV5.6 (333 MHz)	54-24801-01		AB	
☞	*Module, CPU EV5.6 (400 MHz)	54-24801-02		CD	
☞	*Module, CPU EV5.6 (500 MHz)	54-24801-03		E	
3A	**Support Assembly, CPU	70-33020-01			
3B	***Screw, Pan Hd, Captive, M3	74-51457-01			
3C	***Screw, Sems Pan Hd M3 x 8 mm	90-09984-30			
☞ 4	*Module, Main Logic Board (MLB)	54-24803-02		ABDE	
☞	*Module, Main Logic Board (MLB)	54-24803-01		C	
4A	**Standoff, Hex Male-Female	90-08451-06			
5	*Screw, Sems Pan Hd 6-32 x .250	90-09984-28			
6	*Screw, Sems Pan Hd M3 x 8 mm	90-09984-30			
7	*Kit, AlphaServer 800 System Info. (Not Shown)	QZ-00XAA-GW		ABDE	
	*Kit, AlphaServer 800 System Info. (Not Shown)	QZ-00XAA-GZ		C	
☞ 8	*CD-ROM (12X SCSI 600 MB)	RRD46-AB		ACDE	
☞	*CD-ROM (12X SCSI 600 MB) (added)	RRD46-AA	PB80A- TWO001	B	
9	*ENCLOSURE ASSEMBLY	30-47994-01			
10	**Baffle, Heatsink	74-51919-01			
☞ 11	**Cable, Flat, 34 Cond. (Floppy to MLB)	17-03970-03			
☞ 12	**Cable, Bundled, 68 Cond. (SCSI B/P to MLB)	17-04400-01			
☞ 13	**Cable, Flat, 50 Cond. (RMD to MLB)	17-04399-01			
13A	***Terminator, SCSI, Active, Single End 50 Pos	12-47229-01			
☞ 14	**Speaker Assembly w/Wire Leads	70-31349-02			
☞ 15	**Fan, Tube Axial w/Wire Leads	12-23609-24			
☞ 16	**Cable, Flat, 20 Cond. (SCSI B/P to Disk Status)	17-01476-03			
17	**Chassis Riveted Assembly	70-33014-01			
18	**Cover, PCI/EISA Slot	74-51924-01			
☞ 19	**Cable, Flat, 10 Cond. (OCP to MLB)	17-03971-04			
☞ 20	**Backplane, SCSI	54-24945-01			
21	**Screw, M3 x 45 mm	N/A			
☞ 22	**Module, Disk Status	54-24960-01			

FIG.& ITEM NO.	DESCRIPTION	DIGITAL PART NO.	ECO CUT-IN	USED ON CODE	REF FIG NO.
2-	KERNEL ASSEMBLIES (continued)				
23	**Lens, Drive Status	74-51585-01			
24	**Hard Drive Assembly	70-33173-01			
24A	***Screw, Sems Pan Hd 6-32 x .250	90-09984-28			
25	**Cover Assembly, Hard Drive	70-33176-01			
26	**Cover Assembly, 5.25 Inch Drive	70-32227-02			
27	**Bracket, Drive, RMD	74-49601-01			
28	**Screw, Pan Hd M3 x 4 mm	90-10961-01			
29	**Support, Half Height Device	74-51530-01			
30	**Bezel, OCP	74-51577-01			
☐ 31	**Module, OCP	54-24978-01			
32	**Buttons (OCP)	74-51575-01			
☐ 33	**Floppy Drive, 3.5 Inch (1.44 MB)	RX23L-AB			
34	**Weldment, Floppy Tray	70-33019-01			
35	**Screw, Pan Hd M3 x 6 mm	90-09984-20			

INDICATES FRU LEVEL PARTS.

PARTS LIST



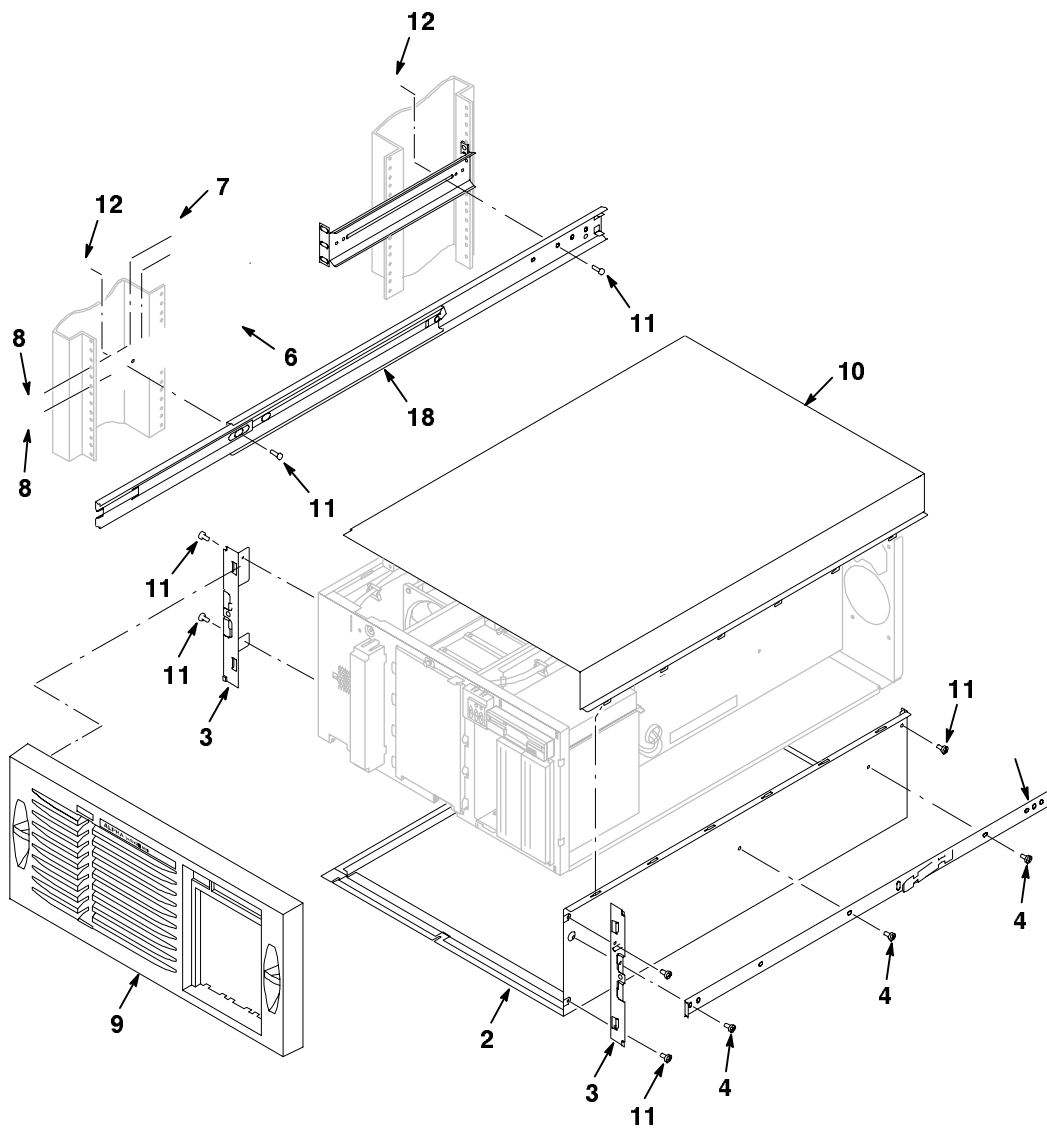
AS800-06

Figure 3. Pedestal Kit

FIG.& ITEM NO.	DESCRIPTION	DIGITAL PART NO.	ECO CUT-IN PB8HA 00001	USED ON CODE	REF FIG NO.
3-	KIT, PEDESTAL	PB8HA-BB			1
1	*Kit, Pedestal, Fabricated Piece Parts	30-47994-02			
2	**Panel, Top Right	70-33010-01			
3	**Door, Lower	70-33177-01			
4	**Bezel, RMD Area	74-51582-01			
5	**Door, OCP/RMD	70-33179-01			
6	**Foot	74-51716-01			
7	**Panel, Left	70-33009-01			
8	*Screw, Sems Pan Hd M3 x 8 mm	90-09984-30			
9	*Screw, Plastite 8 mm long	90-40314-01			

INDICATES FRU LEVEL PARTS.

PARTS LIST

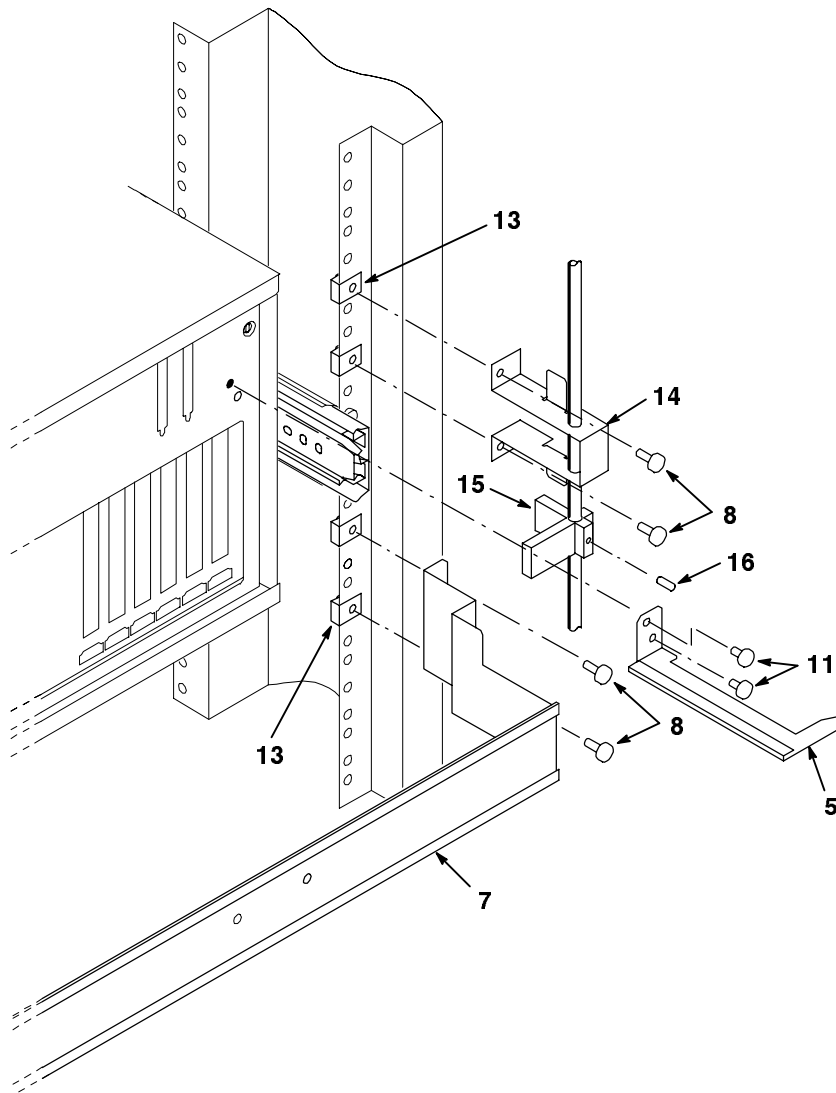


AS800-07

Figure 4. Rack Mount Kit (Sheet 1 of 2)

INDICATES FRU LEVEL PARTS.

PARTS LIST



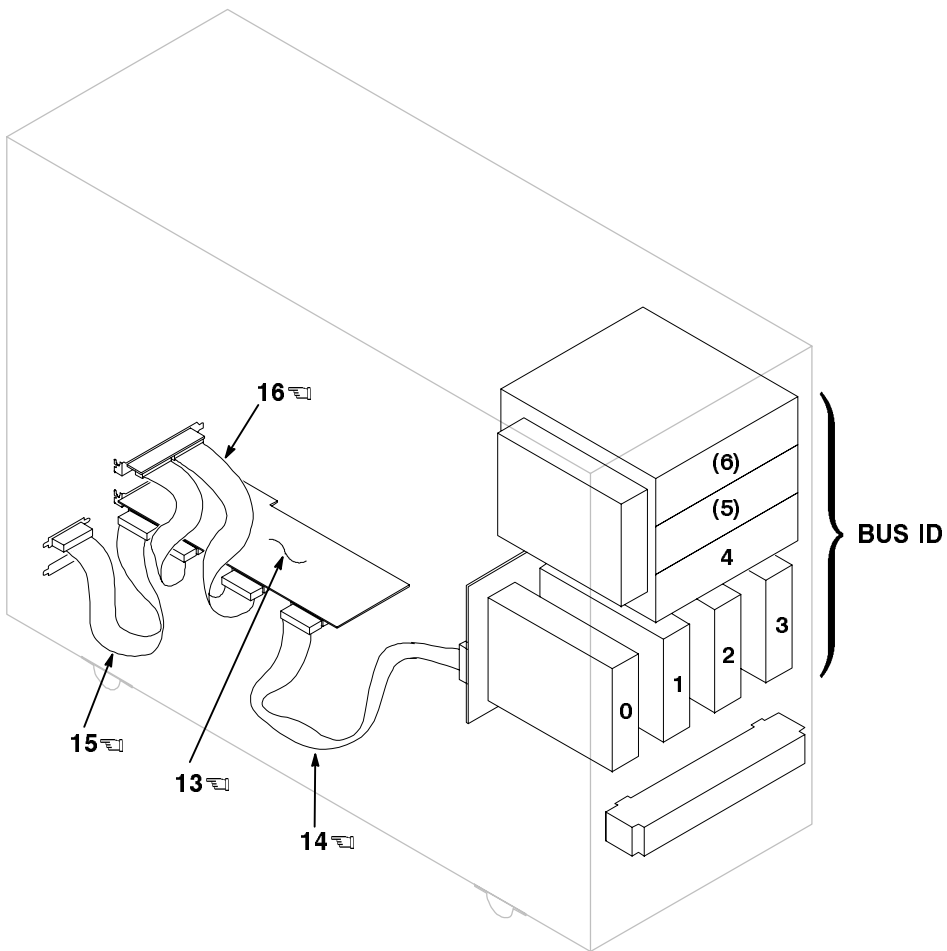
AS800-08

Figure 4. Rack Mount Kit (Sheet 2 of 2)

FIG.& ITEM NO.	DESCRIPTION	DIGITAL PART NO. ^B	ECO CUT-IN PB8HA 00001	USED ON CODE	REF FIG NO.
4-	KIT, RACK MOUNT	PB8HA-BA			1
1	*Kit, Rack Mount, Fabricated Piece Parts	30-47994-03			
2	**Cover Assembly, Cabinet	70-33012-01			
3	**Bracket, Cabinet Mounting	74-51572-01			
4	**Screw, Serrated Pan Hd M4 x 6 mm	N/A			
5	**Bracket, Cabinet Trip	74-51571-01			
6	**Bracket, Cabinet Slide	74-51454-01			
7	**Plate, Slide Bracket Nut	74-51531-01			
8	**Screw, Serrated Truss Hd 10-32 x .50	90-00063-39			
9	**Bezel Assembly, Front	70-33178-01			
10	**Cover Assembly, Removable Cabinet	70-33011-01			
11	**Screw, Serrated Pan Hd M4 x 10 mm	90-40005-06			
12	**Nut, Kep, M4	90-40203-02			
13	**U-Nut, Clip, 10-32	90-07786-00			
14	*Bracket, Pivot Rod Stabilizer	74-48996-01			
15	*Latch, Actuator	74-48997-02			
16	*Screw, Set, 6-32	90-06291-10			
17	*Bracket, Cable Management	74-48881-01			
18	*Slide, Chassis	12-47476-01			

INDICATES FRU LEVEL PARTS.

PARTS LIST

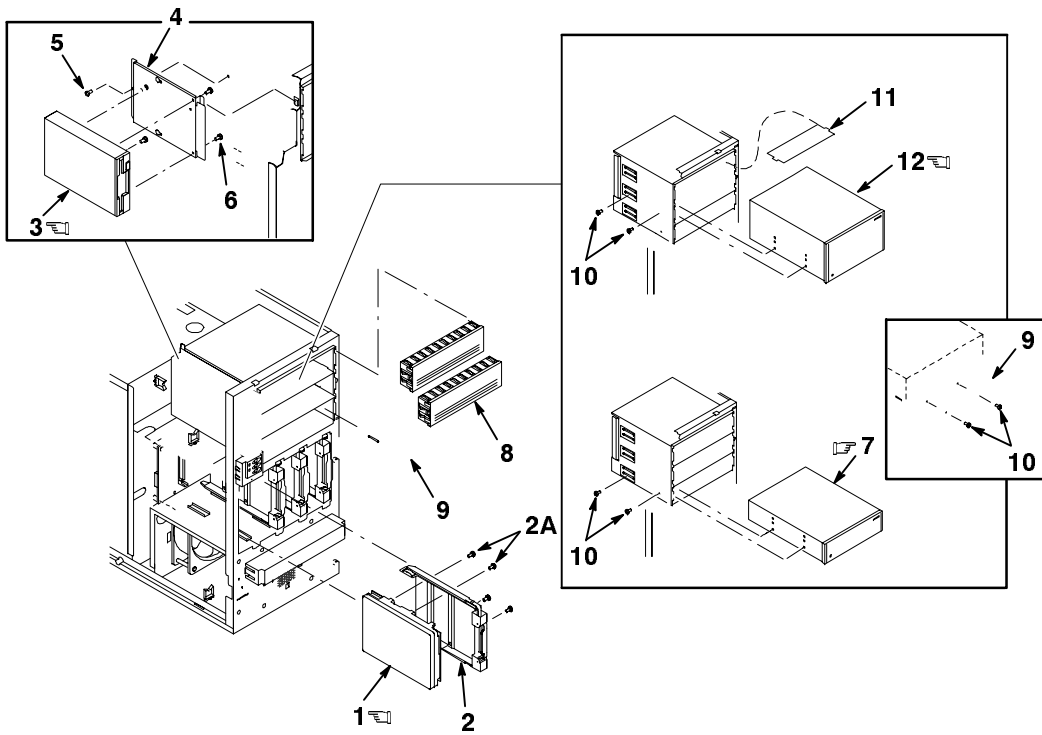


AS800-09

Figure 5. Internal Storage (Sheet 1 of 2)

  INDICATES FRU LEVEL PARTS.

PARTS LIST 



AS800-10

Figure 5. Internal Storage (Sheet 2 of 2)

FIG.& ITEM NO.	DESCRIPTION	DIGITAL PART NO.	ECO CUT-IN	USED ON CODE	REF FIG NO.
5-	INTERNAL STORAGE	N/A			1
	DRIVES				
☞ 1	Disk Drive, Fast Wide SCSI, 1 GB	RZ26N-SB			
☞	Disk Drive, Fast Wide SCSI, 2.1 GB	RZ28M-SB			
☞	Disk Drive, Ultra Fast Wide SCSI, 2.1 GB	RZ1BB-SB			
☞	Disk Drive, Ultra Fast Wide SCSI, 4 GB	RZ1CB-SB			
☞	Disk Drive, Ultra Fast Wide SCSI, 9 GB	RZ1DB-SB			
2	Hard Drive Assembly	70-33173-01			
2A	*Screw, Sems Pan Hd 6-32 x .250	90-09984-28			
☞ 7	Hard Drive, Wide Ultra, SCSI, 2 GB	PB8HA-EA			
☞	Hard Drive, Wide Ultra, SCSI, 4.3 GB	PB8HA-EB			
	FLOPPY ASSEMBLY				
☞ 3	Floppy Drive, 3.5 Inch (1.44 MB)	RX23L-AB			
4	Weldment, Floppy Tray	70-33019-01			
5	Screw, Sems Pan Hd M3 x 8 mm	90-09984-30			
6	Screw, Pan Hd M3 x 6 mm	90-09984-20			
	HALF HEIGHT DEVICES				
☞ 7	CD-ROM (4X)	RRD45-AB			
☞	CD-ROM (12X)	RRD46-AA			
☞	CD-ROM (12X)	RRD46-AB			
☞	Tape Drive, 4 mm DAT, 8 GB	TLZ09-LK			
☞	Tape Drive, QIC, 2 GB	PBXTZ-AA			
8	Cover Assembly, 5.25 Inch Drive	70-32227-02			
9	Bracket, Drive, RMD	74-49601-01			
10	Screw, Pan Hd M3 x 4 mm	90-10961-01			
11	Support, Half Height Device	74-51530-01			
	FULL HEIGHT DEVICES				
☞ 12	Tape Loader, 4 mm DAT, 32/64 GB	TLZ9L-LG			
9	Bracket, Drive, RMD	74-49601-01			
10	Screw, Pan Hd M3 x 4 mm	90-10961-01			

FIG.& ITEM NO.	DESCRIPTION	DIGITAL PART NO.	ECO CUT-IN	USED ON CODE	REF FIG NO.
5-	INTERNAL STORAGE (continued)				
	CONTROLLERS				
☞ 13	Controller, SCSI, FNSE, 1 Port, PCI	KZPAA-AA			
☞ 13	Controller, SCSI, FWD, 1 Port, PCI	KZPSA-BB			
☞ 13	Controller, SCSI, FNSE, 1 Port, PCI	KZPDA-AA			
☞ 14	Cable, SCSI, 68 Cond., to Internal Devices	PB8HA-DA			
☞ 13	Controller, RAID, FWSE, 1 Port, PCI, 4 MB Cache	KZPAC-AA			
☞ 14	Cable, SCSI, 68 Cond., to Internal Devices	PB8HA-DA			
☞ 13	Controller, RAID, FWSE, 3 Port, PCI, 4 MB Cache	KZPAC-CA			
☞ 14	Cable, SCSI, 68 Cond., to Internal Devices	PB8HA-DA			
☞ 15	Cable, SCSI, 68 Cond., to External Bulkhead	BC25V-1H			
☞ 16	Cable, SCSI, Dual, PCI/EISA Bulkhead Connector	KZPAC-SB			
☞ 13	Controller, RAID, FWSE, 3 Port, PCI, 8 MB Cache	KZPAC-CB			
☞ 14	Cable, SCSI, 68 Cond., to Internal Devices	PB8HA-DA			
☞ 15	Cable, SCSI, 68 Cond., to External Bulkhead	BC25V-1H			
☞ 16	Cable, SCSI, Dual, PCI/EISA Bulkhead Connector	KZPAC-SB			
☞ 13	Controller, RAID, FNSE, 1 Port, EISA, 4MB Cache	KZESC-AA			
☞ 13	Controller, RAID, FNSE, 3 Port, EISA, 4MB Cache	KZESC-BA			

PART NUMBER/DESCRIPTION INDEX 

INDEX BY DIGITAL PART NUMBER

PART NUMBER	DESCRIPTION	FIG.-ITEM NUMBER
12-23609-24	Fan, Tube Axial w/Wire Leads	2-15
12-37977-02	Key	1-9
12-47229-01	Terminator, SCSI, Active, Single End 50 Pos	2-13A
12-47476-01	Slide, Chassis	4-18
17-00083-58	Power Cord, 120V, (North America)	1-Not Shown
17-00083-61	Power Cord, 240V, (North America)	1-Not Shown
17-01476-03	Cable, Flat, 20 Cond. (SCSI B/P to Disk Status)	2-16
17-03970-03	Cable, Flat, 34 Cond. (Floppy to MLB)	2-11
17-03971-04	Cable, Flat, 10 Cond. (OCP to MLB)	2-19
17-04285-04	Power Jumper, IEC 320 C-14 Connector	1-Not Shown
17-04357-01	Power Cord, (North America, Japan) (BN35A-01)	1-Not Shown
17-04364-01	Power Cord, (United Kingdom) (BN35J-02)	1-Not Shown
17-04364-02	Power Cord, (Switzerland) (BN35K-02)	1-Not Shown
17-04364-03	Power Cord, (India, South Africa) (BN35L-02)	1-Not Shown
17-04364-04	Power Cord, (Italy) (BN35M-02)	1-Not Shown
17-04364-05	Power Cord, (Israel) (BN35N-02)	1-Not Shown
17-04364-06	Power Cord, (Denmark) (BN35P-02)	1-Not Shown
17-04364-07	Power Cord, (Austria, Belgium, France, Germany, Finland, Holland, Norway, Sweden, Portugal, Spain) (BN35R-02)	1-Not Shown
17-04364-08	Power Cord, (Australia) (BN35S-02)	1-Not Shown
17-04399-01	Cable, Flat, 50 Cond. (RMD to MLB)	2-13
17-04400-01	Cable, Bundled, 68 Cond. (SCSI B/P to MLB)	2-12
17-04522-02	Power Jumper, IEC 320 C-14 Conn. Harmonized	1-Not Shown
30-47661-02	Power Supply, 300W, w/Harness	2-1
30-47994-01	ENCLOSURE ASSEMBLY	2-9
30-47994-02	Kit, Pedestal, Fabricated Piece Parts	3-1
30-47994-03	Kit, Rack Mount, Fabricated Piece Parts	4-1
36-48150-01	Label, AlphaServer 800 5/400	1-7
36-48150-02	Label, AlphaServer 800 5/333	1-7
36-48150-03	Label, AlphaServer 800 5/500	1-7
37-01668-01	Packaging (Not Shown)	2-2
54-24801-01	Module, CPU EV5.6 (333 MHz)	2-3
54-24801-02	Module, CPU EV5.6 (400 MHz)	2-3
54-24801-03	Module, CPU EV5.6 (500 MHz)	2-3
54-24803-01	Module, Main Logic Board (MLB)	2-4
54-24803-02	Module, Main Logic Board (MLB)	2-4
54-24945-01	Backplane, SCSI	2-20
54-24960-01	Module, Disk Status	2-22
54-24978-01	Module, OCP	2-31
70-31349-02	Speaker Assembly w/Wire Leads	2-14
70-32227-02	Cover Assembly, 5.25 Inch Drive	2-26, 5-8
70-33009-01	Panel, Left	3-7
70-33010-01	Panel, Top Right	3-2
70-33011-01	Cover Assembly, Removable Cabinet	4-10
70-33012-01	Cover Assembly, Cabinet	4-2
70-33014-01	Chassis Riveted Assembly	2-17
70-33019-01	Weldment, Floppy Tray	2-34, 5-4
70-33020-01	Support Assembly, CPU	2-3A

INDEX BY DIGITAL PART NUMBER

PART NUMBER	DESCRIPTION	FIG.-ITEM NUMBER
70-33173-01	Hard Drive Assembly	1-3A, 2-24, 5-2
70-33176-01	Cover Assembly, Hard Drive	2-25
70-33177-01	Door, Lower	3-3
70-33178-01	Bezel Assembly, Front	4-9
70-33179-01	Door, OCP/RMD	3-5
74-48881-01	Bracket, Cable Management	4-17
74-48996-01	Bracket, Pivot Rod Stabilizer	4-14
74-48997-02	Latch, Actuator	4-15
74-49601-01	Bracket, Drive, RMD	2-27, 5-9
74-51454-01	Bracket, Cabinet Slide	4-6
74-51457-01	Screw, Pan Hd, Captive, M3	2-3B
74-51530-01	Support, Half Height Device	2-29, 5-11
74-51531-01	Plate, Slide Bracket Nut	4-7
74-51571-01	Bracket, Cabinet Trip	4-5
74-51572-01	Bracket, Cabinet Mounting	4-3
74-51575-01	Buttons (OCP)	2-32
74-51577-01	Bezel, OCP	2-30
74-51582-01	Bezel, RMD Area	3-4
74-51585-01	Lens, Drive Status	2-23
74-51716-01	Foot	3-6
74-51919-01	Baffle, Heatsink	2-10
74-51924-01	Cover, PCI/EISA Slot	2-18
90-00063-39	Screw, Serrated Truss Hd 10-32 x .50	4-8
90-06291-10	Screw, Set, 6-32	4-16
90-07786-00	U-Nut, Clip, 10-32	4-13
90-08451-06	Standoff, Hex Male-Female	2-4A
90-09984-20	Screw, Pan Hd M3 x 6 mm	2-35, 5-6
90-09984-28	Screw, Sems Pan Hd 6-32 x .250	1-3B, 2-5, 2-24A, 5-2A
90-09984-30	Screw, Sems Pan Hd M3 x 8 mm	1-8, 2-3C, 2-6, 3-8, 5-5
90-10961-01	Screw, Pan Hd M3 x 4 mm	2-28, 5-10
90-40005-06	Screw, Serrated Pan Hd M4 x 10 mm	4-11
90-40203-02	Nut, Kep, M4	4-12
90-40314-01	Screw, Plastite 8 mm long	3-9
BC25V-1H	Cable, SCSI, 68 Cond., to External Bulkhead	5-15
DE500-AA	Card, PCI Fast 10/100 Ethernet	1-5
KZESC-AA	Controller, RAID, FNSE, 1 Port, EISA, 4MB Cache	5-13
KZESC-BA	Controller, RAID, FNSE, 3 Port, EISA, 4MB Cache	5-13
KZPAA-AA	Controller, SCSI, FNSE, 1 Port, PCI	5-13
KZPAC-AA	Controller, RAID, FWSE, 1 Port, PCI, 4 MB Cache	5-13
KZPAC-CA	Controller, RAID, FWSE, 3 Port, PCI, 4 MB Cache	5-13
KZPAC-CB	Controller, RAID, FWSE, 3 Port, PCI, 8 MB Cache	5-13
KZPAC-SB	Cable, SCSI, Dual, PCI/EISA Bulkhead Connector	5-16
KZPDA-AA	Controller, SCSI, FNSE, 1 Port, PCI	5-13
KZPSA-BB	Controller, SCSI, FWD, 1 Port, PCI	5-13
PB80A-B9	AlphaServer 800 5/333 KERNEL ASSEMBLY	1-3, 2-A
PB80A-C9	AlphaServer 800 5/333 KERNEL ASSEMBLY	1-3, 2-B

INDEX BY DIGITAL PART NUMBER

PART NUMBER	DESCRIPTION	FIG.-ITEM NUMBER
PB80B	AlphaServer 800 5/333 Packaged System	1-A
PB80P	AlphaServer 800 5/333 Packaged System (RM)	1-B
PB81A-A9	AlphaServer 800 5/400 KERNEL ASSEMBLY	1-3, 2-B
PB81A-B9	AlphaServer 800 5/400 KERNEL ASSEMBLY	2-B
PB81B	AlphaServer 800 5/400 Packaged System	1-C
PB81P	AlphaServer 800 5/400 Packaged System (RM)	1-D
PB82A-A9	AlphaServer 800 5/500 Kernel Assembly	1-3, 2-E
PB82B	AlphaServer 800 5/500 Packaged System	1-E
PB82P	AlphaServer 800 5/500 Packaged System (RM)	1-F
PB8HA-BA	KIT, RACK MOUNT	1-2, 4-N/A
PB8HA-BB	KIT, PEDESTAL	1-1, 3-N/A
PB8HA-DA	Cable, SCSI, 68 Cond., to Internal Devices	5-14
PB8HA-EA	Hard Drive, Wide Ultra, SCSI, 2 GB	5-7
PB8HA-EB	Hard Drive, Wide Ultra, SCSI, 4.3 GB	5-7
PB8MA-AB	Memory, 32 MB (4 x 8 MB DIMMs)	1-6
PB8MA-AC	Memory, 64 MB (4 x 16 MB DIMMs)	1-6
PB8MA-AD	Memory, 128 MB (4 x 32 MB DIMMs)	1-6
PB8MA-AE	Memory, 256 MB (4 x 64 MB DIMMs)	1-6
PB8MA-AF	Memory, 512 MB (4 x 128 MB DIMMs)	1-6
PB8MA-AG	Memory, 1 GB (4 x 256 MB DIMMs)	1-6
PBXTZ-AA	Tape Drive, QIC, 2 GB	5-7
QZ-00XAA-GW	Kit, AlphaServer 800 System Info. (Not Shown)	2-7
QZ-00XAA-GZ	Kit, AlphaServer 800 System Info. (Not Shown)	2-7
RRD45-AB	CD-ROM (4X)	5-7
RRD46-AA	CD-ROM (12X)	2-8, 5-7
RRD46-AB	CD-ROM (12X)	2-8, 5-7
RX23L-AB	Floppy Drive, 3.5 Inch (1.44 MB)	2-33, 5-3
RZ1BB-SB	Disk Drive, Ultra Fast Wide SCSI, 2.1 GB	5-1
RZ1CB-SB	Disk Drive, Ultra Fast Wide SCSI, 4 GB	5-1
RZ1DB-SB	Disk Drive, Ultra Fast Wide SCSI, 9 GB	5-1
RZ26N-SB	Disk Drive, Fast Wide SCSI, 1 GB	5-1
RZ28M-SB	Disk Drive, Fast Wide SCSI, 2.1 GB	1-4, 5-1
TLZ09-LK	Tape Drive, 4 mm DAT, 8 GB	5-7
TLZ9L-LG	Tape Loader, 4 mm DAT, 32/64 GB	5-12

INDEX BY DIGITAL PART DESCRIPTION

DESCRIPTION	PART NUMBER	FIG.-ITEM NUMBER
AlphaServer 800 5/333 KERNEL ASSEMBLY	PB80A-B9	1-3, 2-A
AlphaServer 800 5/333 KERNEL ASSEMBLY	PB80A-C9	2-B
AlphaServer 800 5/400 KERNEL ASSEMBLY	PB81A-A9	1-3, 2-C
AlphaServer 800 5/400 KERNEL ASSEMBLY	PB81A-B9	1-3, 2-D
AlphaServer 800 5/500 KERNEL ASSEMBLY	PB82A-A9	1-3, 2-E
AlphaServer 800 5/333 Packaged System	PB80B	1-A
AlphaServer 800 5/333 Packaged System (RM)	PB80P	1-B
AlphaServer 800 5/400 Packaged System	PB81B	1-C
AlphaServer 800 5/400 Packaged System (RM)	PB81P	1-D
AlphaServer 800 5/500 Packaged System	PB82B	1-E
AlphaServer 800 5/500 Packaged System (RM)	PB82P	1-F
Backplane, SCSI	54-24945-01	2-20
Baffle, Heatsink	74-51919-01	2-10
Bezel Assembly, Front	70-33178-01	4-9
Bezel, OCP	74-51577-01	2-30
Bezel, RMD Area	74-51582-01	3-4
Bracket, Cabinet Mounting	74-51572-01	4-3
Bracket, Cabinet Slide	74-51454-01	4-6
Bracket, Cabinet Trip	74-51571-01	4-5
Bracket, Cable Management	74-48881-01	4-17
Bracket, Drive, RMD	74-49601-01	2-27, 5-9
Bracket, Pivot Rod Stabilizer	74-48996-01	4-14
Buttons (OCP)	74-51575-01	2-32
Cable, Bundled, 68 Cond. (SCSI B/P to MLB)	17-04400-01	2-12
Cable, Flat, 10 Cond. (OCP to MLB)	17-03971-04	2-19
Cable, Flat, 20 Cond. (SCSI B/P to Disk Status)	17-01476-03	2-16
Cable, Flat, 34 Cond. (Floppy to MLB)	17-03970-03	2-11
Cable, Flat, 50 Cond. (RMD to MLB)	17-04399-01	2-13
Cable, SCSI, 68 Cond., to External Bulkhead	BC25V-1H	5-15
Cable, SCSI, 68 Cond., to Internal Devices	PB8HA-DA	5-14
Cable, SCSI, Dual, PCI/EISA Bulkhead Connector	KZPAC-SB	5-16
Card, PCI Fast 10/100 Ethernet	DE500-AA	1-5
CD-ROM (12X)	RRD46-AA	2-8, 5-7
CD-ROM (12X)	RRD46-AB	2-8, 5-7
CD-ROM (4X)	RRD45-AB	5-7
Chassis Riveted Assembly	70-33014-01	2-17
Controller, RAID, FNSE, 1 Port, EISA, 4MB Cache	KZESC-AA	5-13
Controller, RAID, FNSE, 3 Port, EISA, 4MB Cache	KZESC-BA	5-13
Controller, RAID, FWSE, 1 Port, PCI, 4 MB Cache	KZPAC-AA	5-13
Controller, RAID, FWSE, 3 Port, PCI, 4 MB Cache	KZPAC-CA	5-13
Controller, RAID, FWSE, 3 Port, PCI, 8 MB Cache	KZPAC-CB	5-13
Controller, SCSI, FNSE, 1 Port, PCI	KZPAA-AA	5-13
Controller, SCSI, FNSE, 1 Port, PCI	KZPDA-AA	5-13
Controller, SCSI, FWD, 1 Port, PCI	KZPSA-BB	5-13
Cover Assembly, 5.25 Inch Drive	70-32227-02	2-26, 5-8
Cover Assembly, Cabinet	70-33012-01	4-2
Cover Assembly, Hard Drive	70-33176-01	2-25
Cover Assembly, Removable Cabinet	70-33011-01	4-10
Cover, PCI/EISA Slot	74-51924-01	2-18
Disk Drive, Fast Wide SCSI, 1 GB	RZ26N-SB	5-1
Disk Drive, Fast Wide SCSI, 2.1 GB	RZ28M-SB	1-4, 5-1

INDEX BY DIGITAL PART DESCRIPTION

DESCRIPTION	PART NUMBER	FIG.-ITEM NUMBER
Disk Drive, Ultra Fast Wide SCSI, 2.1 GB	RZ1BB-SB	5-1
Disk Drive, Ultra Fast Wide SCSI, 4 GB	RZ1CB-SB	5-1
Disk Drive, Ultra Fast Wide SCSI, 9 GB	RZ1DB-SB	5-1
Door, Lower	70-33177-01	3-3
Door, OCP/RMD	70-33179-01	3-5
ENCLOSURE ASSEMBLY	30-47994-01	2-9
Fan, Tube Axial w/Wire Leads	12-23609-24	2-15
Floppy Drive, 3.5 Inch (1.44 MB)	RX23L-AB	2-33, 5-3
Foot	74-51716-01	3-6
Hard Drive, Wide Ultra, SCSI, 2 GB	PB8HA-EA	5-7
Hard Drive, Wide Ultra, SCSI, 4.3 GB	PB8HA-EB	5-7
Hard Drive Assembly	70-33173-01	1-3A, 2-24, 5-2
Key	12-37977-02	1-9
Kit, AlphaServer 800 System Info. (Not Shown)	QZ-00XAA-GW	2-7
Kit, AlphaServer 800 System Info. (Not Shown)	QZ-00XAA-GZ	2-7
KIT, PEDESTAL	PB8HA-BB	1-1, 3-N/A
Kit, Pedestal, Fabricated Piece Parts	30-47994-02	3-1
KIT, RACK MOUNT	PB8HA-BA	1-2, 4-N/A
Kit, Rack Mount, Fabricated Piece Parts	30-47994-03	4-1
Label, AlphaServer 800 5/333	36-48150-02	1-7
Label, AlphaServer 800 5/400	36-48150-01	1-7
Label, AlphaServer 800 5/500	36-48150-03	1-7
Latch, Actuator	74-48997-02	4-15
Lens, Drive Status	74-51585-01	2-23
Memory, 1 GB (4 x 256 MB DIMMs)	PB8MA-AG	1-6
Memory, 128 MB (4 x 32 MB DIMMs)	PB8MA-AD	1-6
Memory, 256 MB (4 x 64 MB DIMMs)	PB8MA-AE	1-6
Memory, 32 MB (4 x 8 MB DIMMs)	PB8MA-AB	1-6
Memory, 512 MB (4 x 128 MB DIMMs)	PB8MA-AF	1-6
Memory, 64 MB (4 x 16 MB DIMMs)	PB8MA-AC	1-6
Module, CPU EV5.6 (333 MHz)	54-24801-01	2-3
Module, CPU EV5.6 (400 MHz)	54-24801-02	2-3
Module, CPU EV5.6 (500 MHz)	54-24801-03	2-3
Module, Disk Status	54-24960-01	2-22
Module, Main Logic Board (MLB)	54-24803-01	2-4
Module, Main Logic Board (MLB)	54-24803-02	2-4
Module, OCP	54-24978-01	2-31
Nut, Kep, M4	90-40203-02	4-12
Packaging (Not Shown)	37-01668-01	2-2
Panel, Left	70-33009-01	3-7
Panel, Top Right	70-33010-01	3-2
Plate, Slide Bracket Nut	74-51531-01	4-7
Power Cord, (Australia) (BN35S-02)	17-04364-08	1-Not Shown
Power Cord, (Austria, Belgium, France, Germany, Finland, Holland, Norway, Sweden, Portugal, Spain) (BN35R-02)	17-04364-07	1-Not Shown

INDEX BY DIGITAL PART DESCRIPTION

DESCRIPTION	PART NUMBER	FIG.-ITEM NUMBER
Power Cord, (Denmark) (BN35P-02)	17-04364-06	1-Not Shown
Power Cord, (India, South Africa) (BN35L-02)	17-04364-03	1-Not Shown
Power Cord, (Israel) (BN35N-02)	17-04364-05	1-Not Shown
Power Cord, (Italy) (BN35M-02)	17-04364-04	1-Not Shown
Power Cord, (North America, Japan) (BN35A-01)	17-04357-01	1-Not Shown
Power Cord, (Switzerland) (BN35K-02)	17-04364-02	1-Not Shown
Power Cord, (United Kingdom) (BN35J-02)	17-04364-01	1-Not Shown
Power Cord, 120V, (North America)	17-00083-58	1-Not Shown
Power Cord, 240V, (North America)	17-00083-61	1-Not Shown
Power Jumper, IEC 320 C14 Conn. Harmonized	17-04522-02	1-Not Shown
Power Jumper, IEC 320 C14 Connector	17-04285-04	1-Not Shown
Power Supply, 300W, w/Harness	30-47661-02	2-1
Screw, M3 x 45 mm	N/A	2-21
Screw, Pan Hd M3 x 4 mm	90-10961-01	2-28, 5-10
Screw, Pan Hd, Captive, M3	74-51457-01	2-3B
Screw, Pan Hd, M3 x 6 mm	90-09984-20	2-35, 5-6
Screw, Plastite 8 mm long	90-40314-01	3-9
Screw, Sems Pan Hd 6-32 x .250	90-09984-28	1-3B, 2-5, 2-24A 5-2A
Screw, Sems Pan Hd M3 x 8 mm	90-09984-30	1-8, 2-3C, 2-6, 3-8, 5-5
Screw, Serrated Pan Hd M4 x 10 mm	90-40005-06	4-11
Screw, Serrated Pan Hd M4 x 6 mm	N/A	4-4
Screw, Serrated Truss Hd 10-32 x .50	90-00063-39	4-8
Screw, Set, 6-32	90-06291-10	4-16
Slide, Chassis	12-47476-01	4-18
Speaker Assembly w/Wire Leads	70-31349-02	2-14
Standoff, Hex Male-Female	90-08451-06	2-4A
Support Assembly, CPU	70-33020-01	2-3A
Support, Half Height Device	74-51530-01	2-29, 5-11
Tape Drive, 4 mm DAT, 8 GB	TLZ09-LK	5-7
Tape Drive, QIC, 2 GB	PBXTZ-AA	5-7
Tape Loader, 4 mm DAT, 32/64 GB	TLZ9L-LG	5-12
Terminator, SCSI, Active, Single Ended 50 Pos	12-47229-01	2-13A
U-Nut, Clip, 10-32	90-07786-00	4-13
Weldment, Floppy Tray	70-33019-01	2-34, 5-4