



EK-DLHUB-QS.A01

---

# DIGITAL MultiSwitch 900-4 Installation Quick Start September 1998

---

This guide explains how to quickly assemble a DIGITAL MultiSwitch 900-4 into a relay rack and how to install modules. You need the following items to install this product:

- 
- DIGITAL MultiSwitch 900-4
  - Rack mount kit
- 

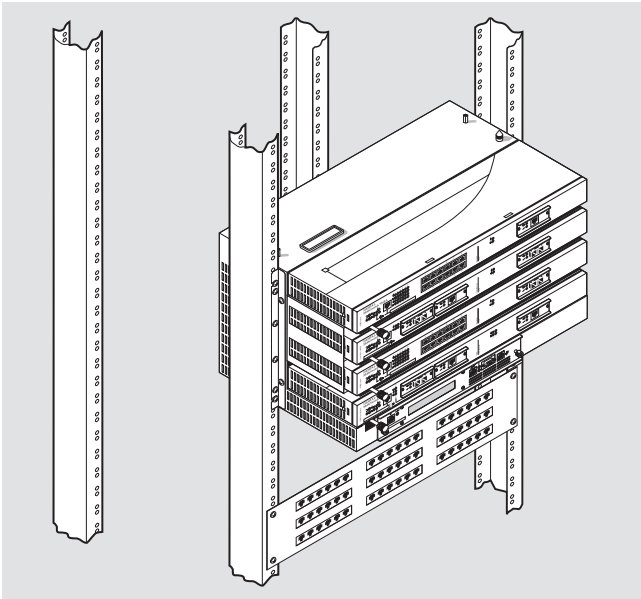
For detailed instructions, configuration procedures, and important safety information, see the *DIGITAL MultiSwitch 900-4 Installation and Configuration* manual.

---

## Secure a DIGITAL MultiSwitch 900-4 to a Relay Rack

---

| Step | Action   |
|------|--|
| 1    | Attach a relay rack bracket to one side of the DIGITAL MultiSwitch 900-4 using two 10-32 screws. |
| 2    | Repeat step 1 for the other side of the DIGITAL MultiSwitch 900-4.                               |
| 3    | Attach the DIGITAL MultiSwitch 900-4 to the rack using four 10-32 screws and U-nuts (if needed). |

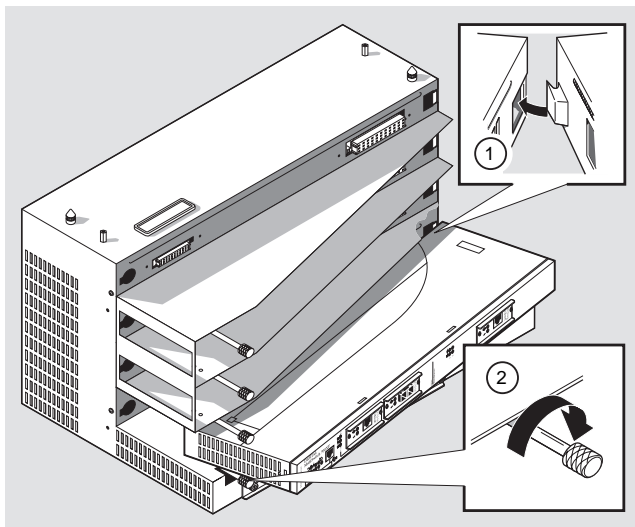


NPB-1037-97F

---

## Install Modules

| Step | Action  |
|------|---|
| 1    | Turn the knurled end of the threaded rod (see the figure below) counter-clockwise all the way to its unlocked position before inserting the module.             |
| 2    | Place the module's mounting tab (1) into the mounting slot on the right side of the DIGITAL MultiSwitch 900-4 chassis slot.                                     |
| 3    | Pivot the module on the mounting tab, align the connectors, and slide the module onto the backplane connectors, being careful not to damage the connector pins. |
| 4    | Turn the knurled end of the threaded rod clockwise (2) and tighten with your fingers to the locked position.  |



NPB-0924-97F

---

## Correspondence

### Documentation Comments

If you have comments or suggestions about this document, send them to  
**TechWriting@cabletron.com**

### Online Services

To locate product-specific information, refer to the Digital Equipment Corporation Network Products Business Home Page on the World Wide Web at the following addresses:

|               |  |
|---------------|--|
| Americas:     | <a href="http://www.networks.digital.com">http://www.networks.digital.com</a><br>or<br><a href="http://www.cabletron.com">http://www.cabletron.com</a> |
| Europe:       | <a href="http://www.networks.europe.digital.com">http://www.networks.europe.digital.com</a>  |
| Asia Pacific: | <a href="http://www.networks.digital.com.au">http://www.networks.digital.com.au</a>  |