



EK-H7896-QS.A01

DIGITAL MultiSwitch 900-4 Rack Mount Quick Start September 1998

This guide explains how to quickly assemble the rack to hold the DIGITAL MultiSwitch 900-4 system. The assembled rack is suitable for all environments including desktop and relay rack.

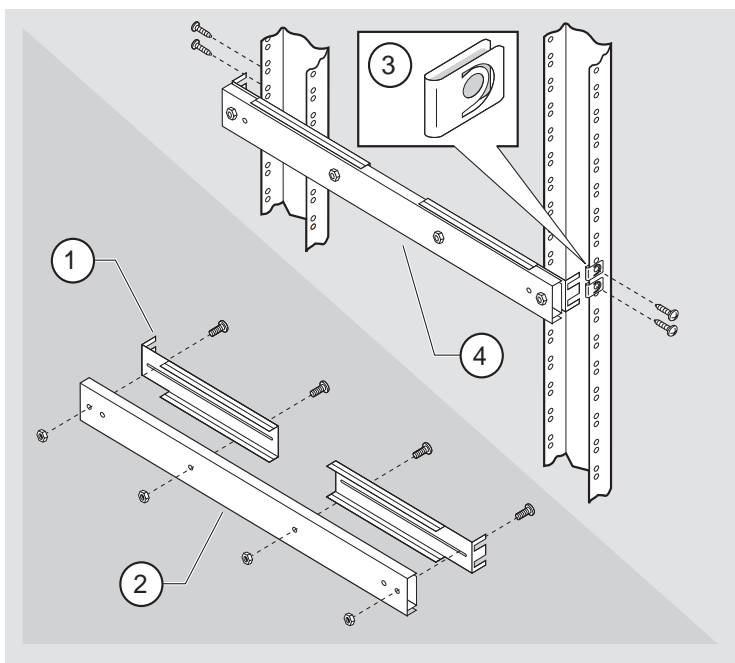
For detailed instructions and important safety information about installing the MultiSwitch 900-4, see the *DIGITAL MultiSwitch 900-4 Installation and Configuration* manual.

Assemble the Rack

Step	Action
1	Secure the mounting brackets (1) to the slide rails (2).
2	Fasten the U-nuts (3) to the mounting holes on the rack.

Step	Action
------	--------

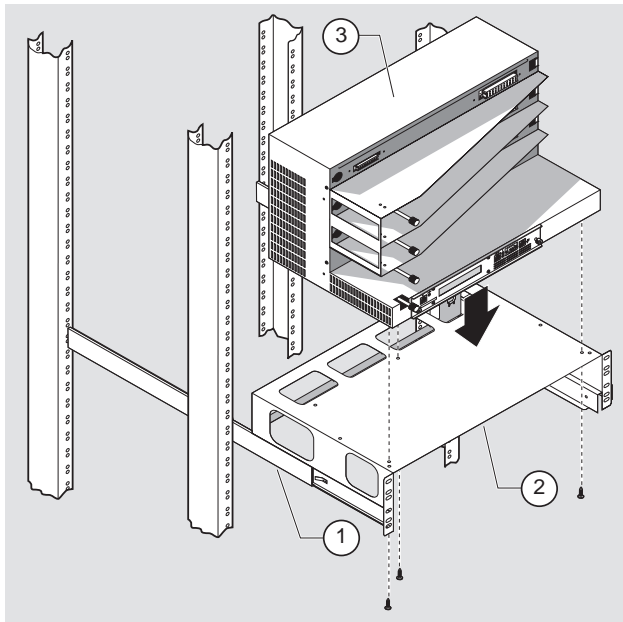
3 Attach the assembled slide rail (4) to the rack with screws.



MPR-1074.0RF

Mount the System

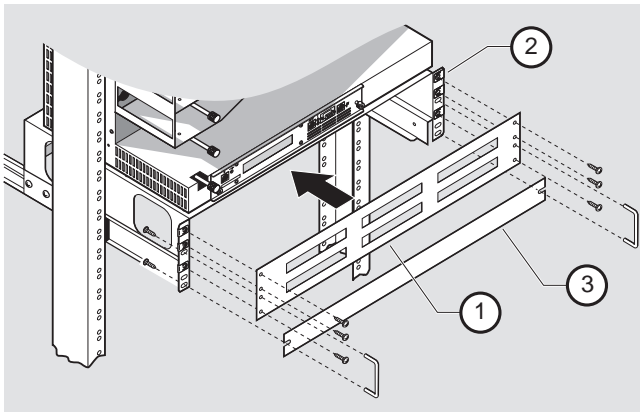
- | Step | Action |
|------|--|
| 1 | Extend the slide rails (1) to the open position. |
| 2 | Position the pedestal (2) on the slide rails, and secure it with screws. |
| 3 | Attach the MultiSwitch 900-4 (3) to the pedestal with screws. |



NPB-1072-98F

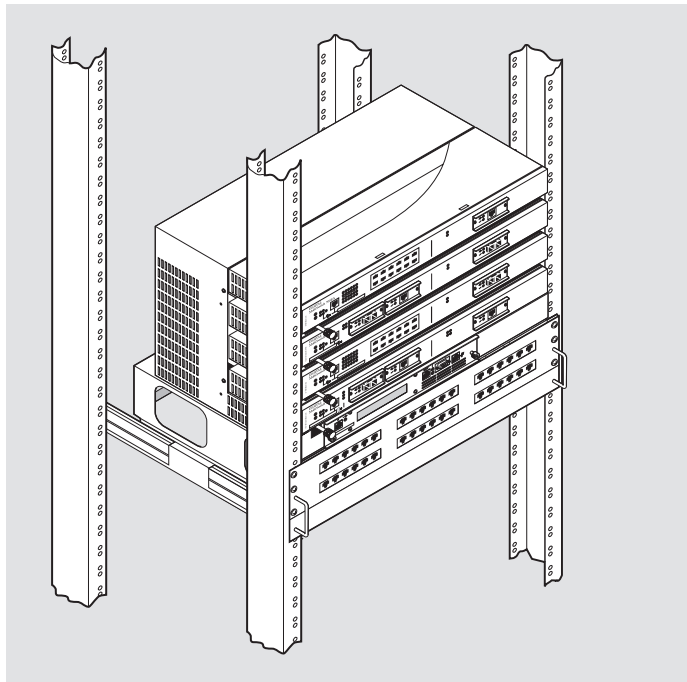
- | | |
|---|---|
| 4 | Attach the U-nuts to the first, second, and fourth holes down on each side of the pedestal mounting brackets. |
| 5 | Attach the patch panel (1) to the pedestal (2) with four screws. |

Step	Action
6	Attach the blank panel (3) to the pedestal (2) with the handles. Use four screws with flat washers to attach it from the back.



NPB-1073-98F

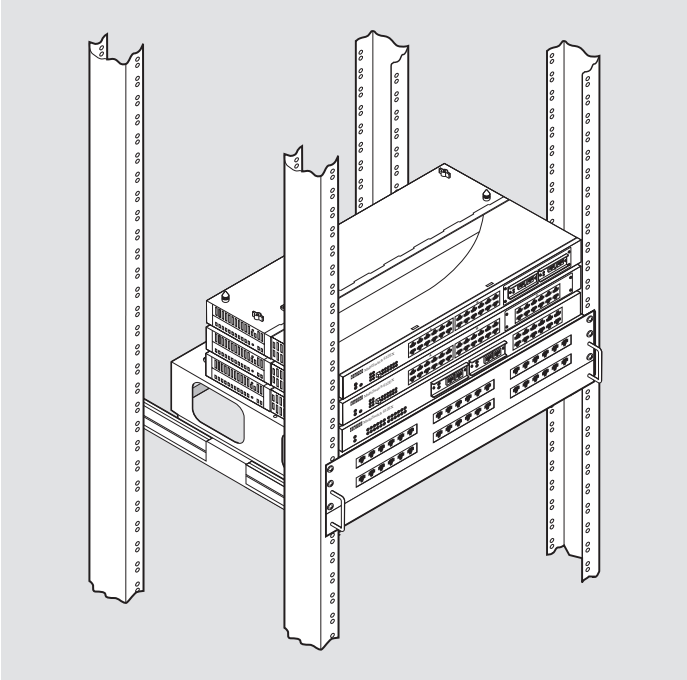
The following figure shows the MultiSwitch 900-4 with the rack in the closed position.



NPB-1075-98F

MultiSwitch 900-4: Rack Closed Position

The following figure shows the MultiSwitch 600 with the rack in the closed position.



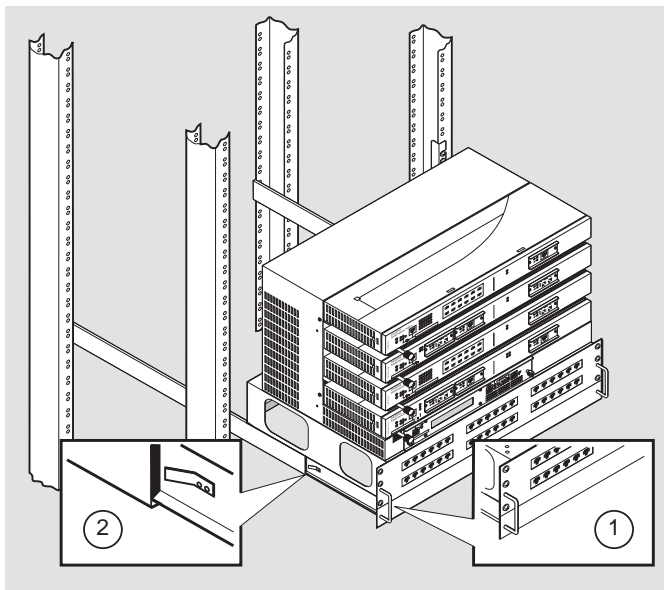
NPB-1076-98F

MultiSwitch 600: Rack Closed Position

Open and Close Rack to Hot-Swap Modules

Step	Action
------	--------

- | | |
|---|---|
| 1 | Pull out the unit using the handles (1) on the panel. |
|---|---|



NPB-1077-98F

MultiSwitch 900-4: Rack Opened Position

- | | |
|---|--|
| 2 | After you have removed or inserted the modules, press the lock (2) on both of the slides, and push the unit back to the closed position. |
|---|--|
-

Correspondence

Documentation Comments

If you have comments or suggestions about this document, send them to
TechWriting@cabletron.com

Online Services

To locate product-specific information, refer to the Digital Equipment Corporation Network Products Business Home Page on the World Wide Web at the following addresses:

Americas: <http://www.networks.digital.com>
or
<http://www.cabletron.com>

Europe: <http://www.networks.europe.digital.com>

Asia Pacific: <http://www.networks.digital.com.au>

© Copyright 1998 by Cabletron Systems, Inc., P.O. Box 5005, Rochester, NH 03866-5005
All Rights Reserved. Printed in the United States of America
clearVISN, and the *clearVISN* logo are trademarks of Cabletron Systems, Inc.
DIGITAL and the DIGITAL logo are trademarks of Compaq Computer Corporation