



EK-H7898-QS.A01

---

# DIGITAL MultiSwitch 900-4 Power Supply Quick Start September 1998

---

This guide explains how to quickly install an optional DIGITAL MultiSwitch 900-4 power supply module to provide a redundant source of power. It also describes how to remove a power supply and how to prevent the overheating of a power supply.

You need the following items to install this product:

- 
- DIGITAL MultiSwitch 900-4
  - Phillips screwdriver
  - Power supply kit
- 

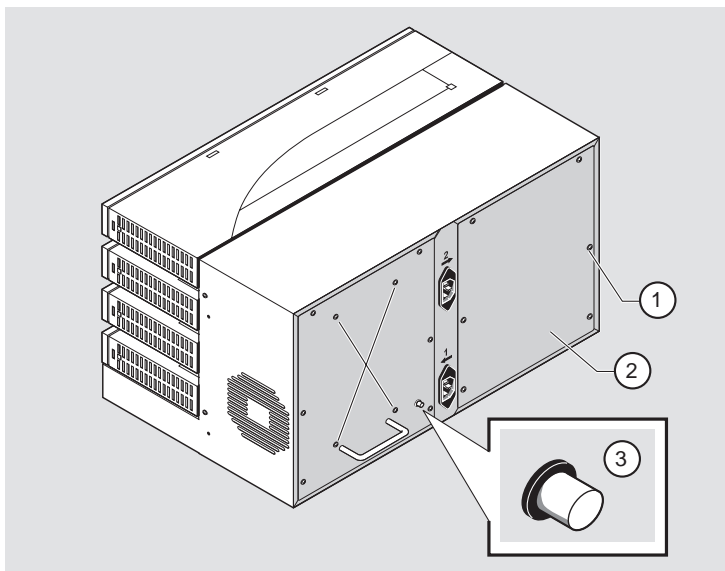
For detailed instructions, power supply information, and important safety information, see the *DIGITAL MultiSwitch 900-4 Installation and Configuration* manual.

---

## Install the Optional Redundant Power Supply

### A. Removing the Blank Panel

Step	Action
1	Remove the six Phillips-head screws (1) from the blank panel (2) on the back of the DIGITAL MultiSwitch 900-4 chassis. The blank panel does not contain a DC OK LED (3).  <u>Note:</u> If the LED is on (green), the power is functioning. If the LED is off, the power is not functioning.
2	Remove the blank panel (2) from the DIGITAL MultiSwitch 900-4 chassis.



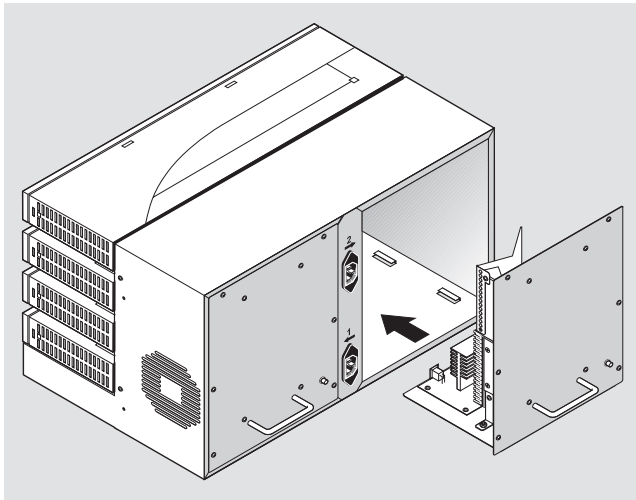
NPB-0914-97F

## B. Installing the Optional Power Supply

---

Step	Action
1	Align the new power supply with the metal-form card guide inside the chassis. Slide the power supply in place. Check the alignment of the power supply connector and backplane connector.
2	Lock the power supply in place by reinserting the six Phillips-head screws into the power supply assembly.

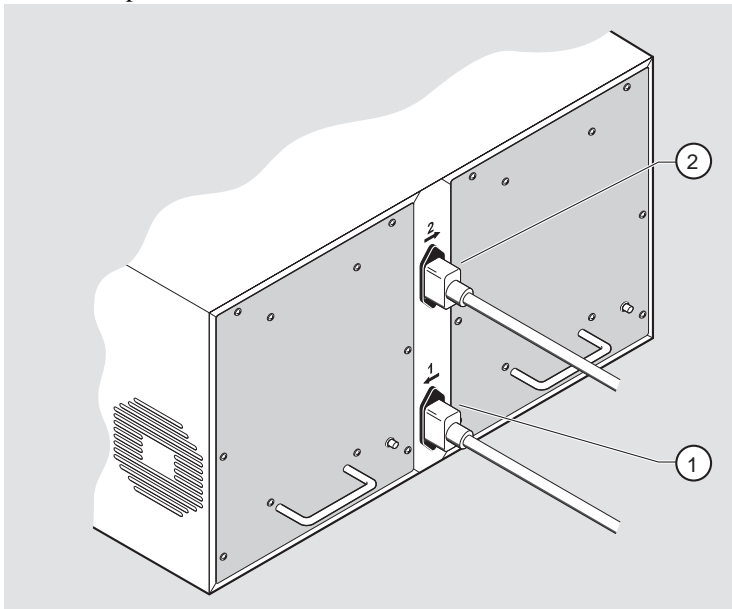
---



NPB-0952-97F

### C. Installing the AC Cord

Step	Action
1	<p><u>Note:</u> The DC OK LED does not light until you plug in the ac line cord.</p> <p>Install the labeled ac line cord into the labeled ac connector at the top of the chassis.</p>
2	Plug the ac line cord into a working ac outlet.
3	Verify that the DC OK LED on the power supply is lit, and that the Management Agent Module has started the self-test procedure.
4	If the power does not come on, check to ensure that the power cord is plugged into the correct receptacle on the back of the DIGITAL MultiSwitch 900-4.



NPB-0955-97F

Item	Description
1	ac cord for the power supply on the left (slot 1)
2	ac cord for the power supply on the right (slot 2)

---

## How to Avoid Overheating a Power Supply

Overheating the power supply in slot 1 can occur in a system that has two power supplies when both of the following conditions exist:

- The power supply in slot 2 becomes nonfunctional or is not plugged in.
- A fan is not working.

---

Step	Action
1	Remove the nonfunctioning power supply in slot 2.
2	Install the blank panel that was originally shipped with the product. If you cannot find the blank panel, then remove the power supply and temporarily leave slot 2 open.
3	Replace the fan as soon as possible.

---

---

## Remove a Power Supply

---

Step	Action
1	Verify that the Management Agent Module Status Display message indicates that the power supply is no longer operational.
2	Make sure that the DC OK LED light located on the power supply is off.
3	Pull out the power cord that has a label identical to the label on the power supply you are removing. <u>Note:</u> If you are removing a failed power supply, be sure to remove the correct power cord; otherwise, the DIGITAL MultiSwitch 900-4 will be without power.
4	Remove the six Phillips-head screws from the back of the power supply assembly.
5	Remove the power supply.
6	Insert the new power supply or replace the blank panel that originally came with the DIGITAL MultiSwitch 900-4.

---

---

## Correspondence

### Documentation Comments

If you have comments or suggestions about this document, send them to  
**TechWriting@cabletron.com**

### Online Services

To locate product-specific information, refer to the Digital Equipment Corporation Network Products Business Home Page on the World Wide Web at the following addresses:

Americas:	<a href="http://www.networks.digital.com">http://www.networks.digital.com</a> or <a href="http://www.cabletron.com">http://www.cabletron.com</a>
Europe:	<a href="http://www.networks.europe.digital.com">http://www.networks.europe.digital.com</a>
Asia Pacific:	<a href="http://www.networks.digital.com.au">http://www.networks.digital.com.au</a>