

Print Colour and
staple here.

Electric

GOLDEN EGGS

Visual Configurations

Rev: 06-Mar-2002

Main index of the next 86 pages and 5.6MB

- 2 - Compaq, The Enterprise
- 3 - ProLiant ML- and DL-Server 32bit family
- 5 - AlphaServer 64bit family
- 6 - ML350, ML370, ML530 and ML570
- 14 - DL360, DL380, DL580 and DL760
- 32 - AlphaServer DS10L and DS10
- 40 - AlphaServer DS20E
- 48 - AlphaServer ES45
- 57 - AlphaServer GS80, GS160 and GS320
- 66 - EMA12000 and MA8000
- 70 - EMA16000
- 72 - Enterprise Virtual Array
- 77 - Tape Libraries
- 84 - GE-KEY, GE-Software, GE in Internet

Painted with GOLDEN EGGS Software,
Rev: 22-Feb-2002

www.compaq.com/golden-eggs

COMPAQ	06-Mar-2002	GEG00D4
	Matti.Patari@Compaq.com	
Electric GOLDEN EGGS		
GOLDEN EGGS Visuals, Helsinki		

Compaq

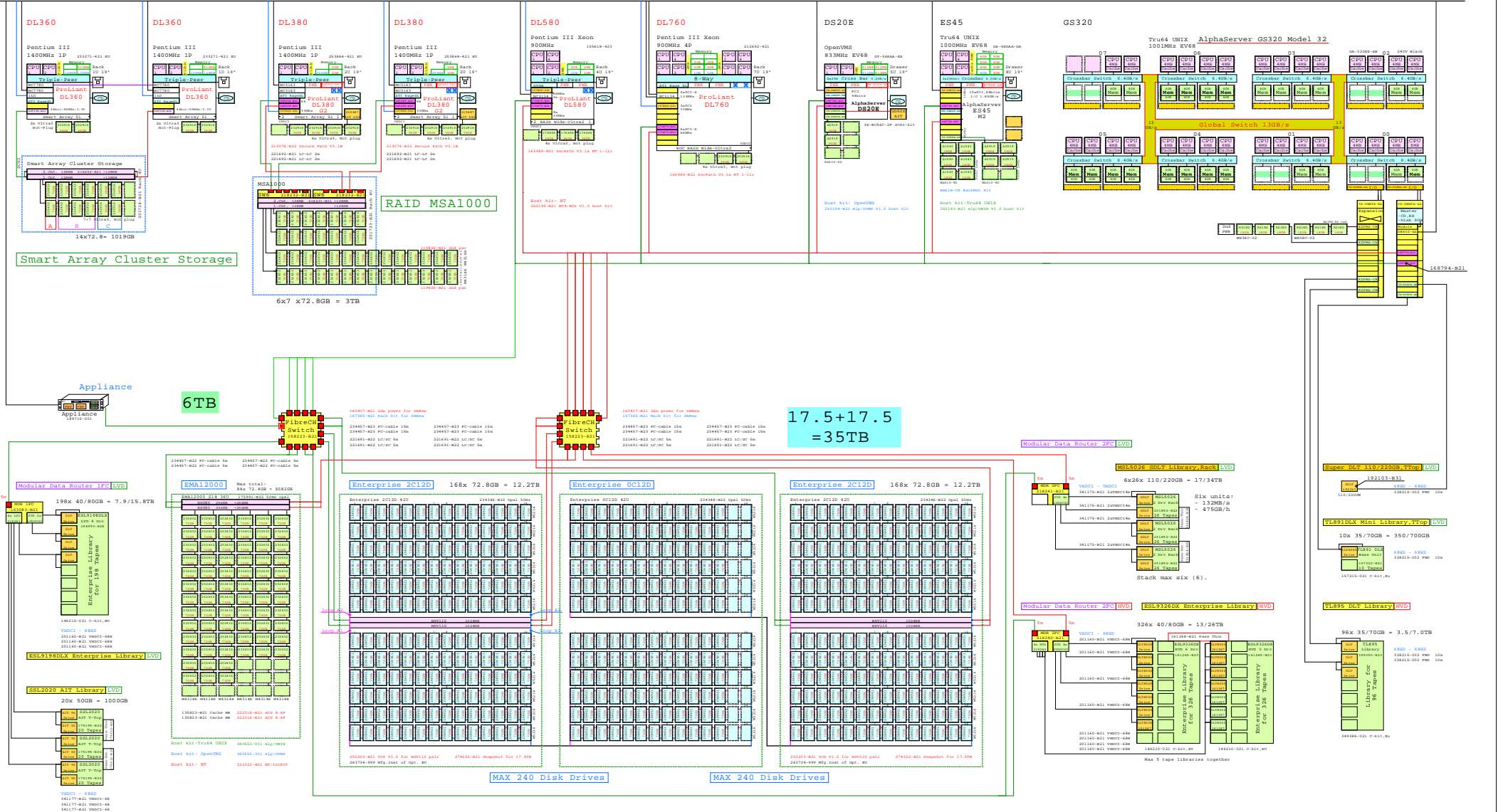
Windows NT4.0/W2000

Linux

OpenVMS

Tru64 UNIX

Ethernet

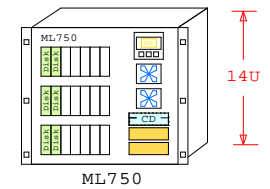
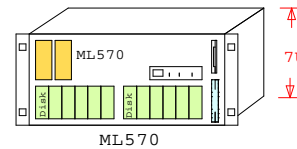
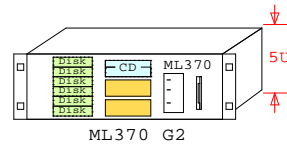
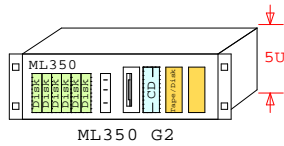
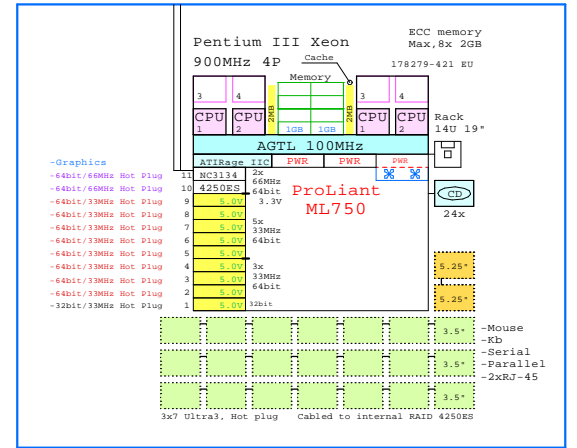
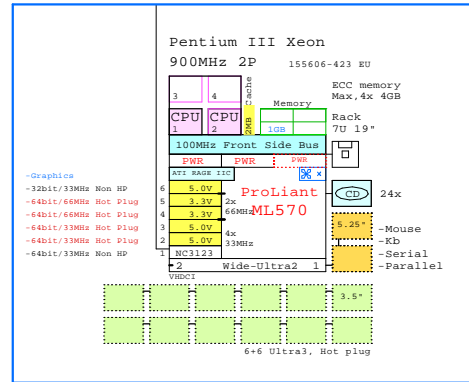
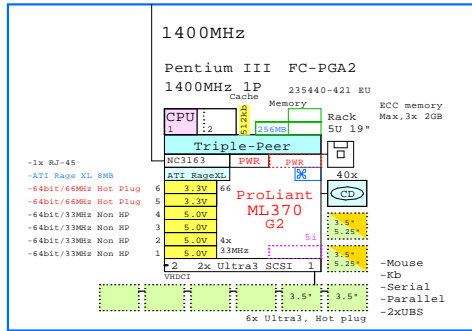
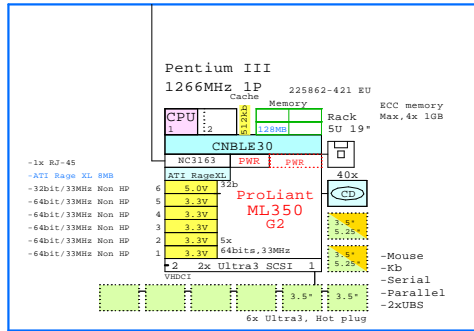


SCSI terms:
LVD Low Voltage Differential
HVD High Voltage Differential
VHDC Very High Density Cable Interconnect
480D 48 pin High Density

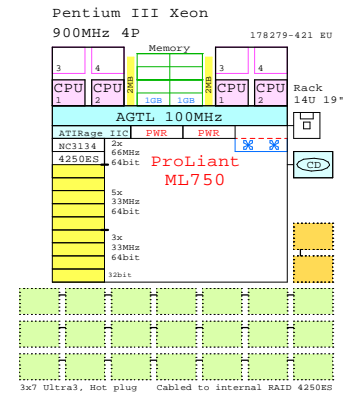
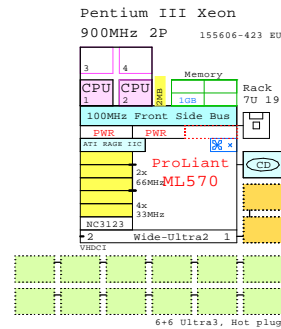
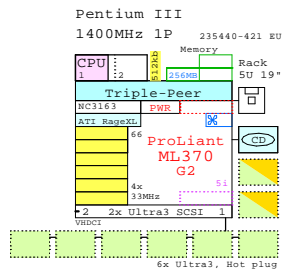
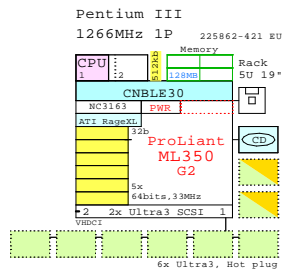
GTCQent1

Compaq ProLiant ML-Family

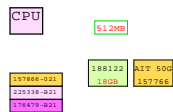
The Blue Box



The logical server



Options



GEI00H

www.Compaq.com/golden-eggs

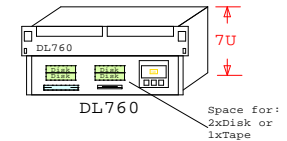
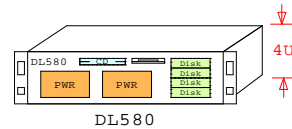
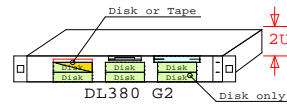
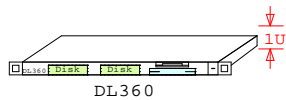
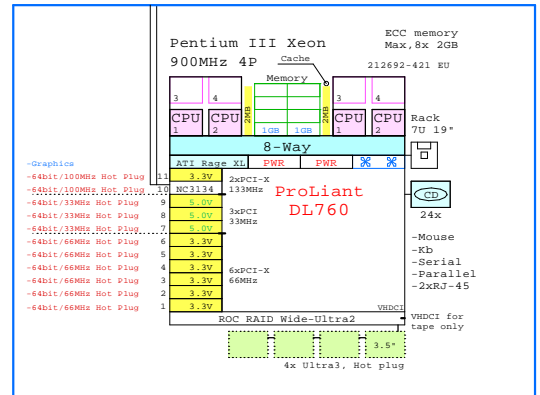
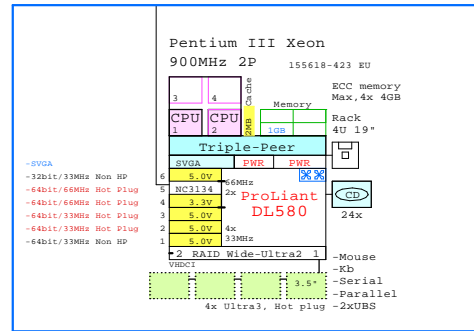
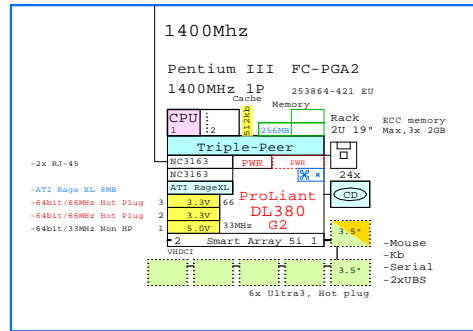
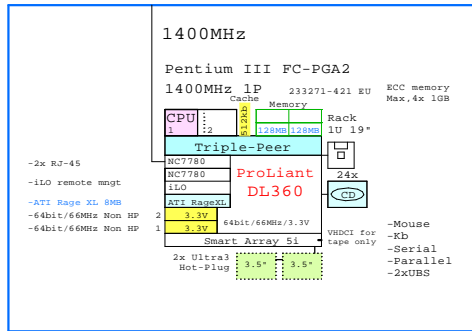
Since 1-Jan-2002

COMPAQ 04-Feb-2002 GEI00H
Matti.Patari@Compaq.com

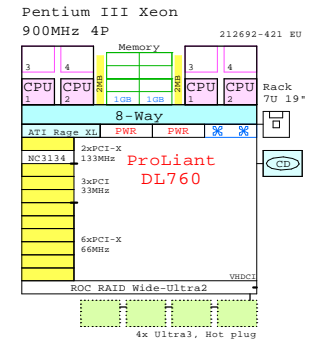
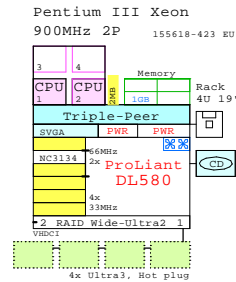
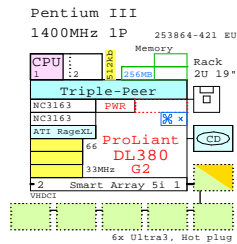
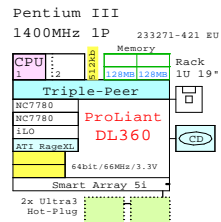
Compaq ProLiant ML-Family
GOLDEN EGGS Visuals, Helsinki

Compaq ProLiant DL-Family

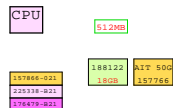
The Blue Box



The logical server



Options



GEI00G

www.Compaq.com/golden-eggs

Since 1 Jan 2002

COMPAQ 04-Feb-2002 GEI00G
 Matti.Patari@Compaq.com

Compaq ProLiant DL-Family
 GOLDEN EGGS Visuals, Helsinki

1-CPU, 1xPCI

AlphaServer Family Line

32-CPU, 223xPCI

DS10

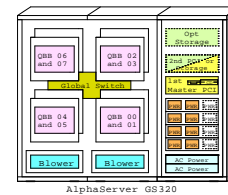
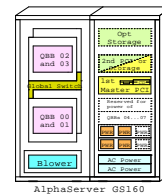
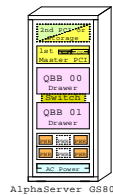
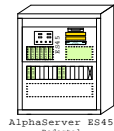
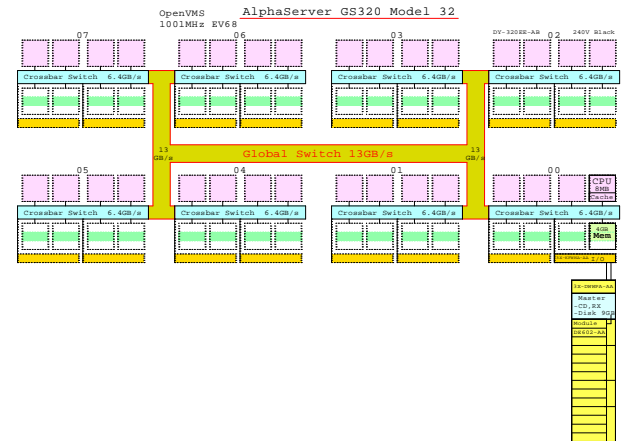
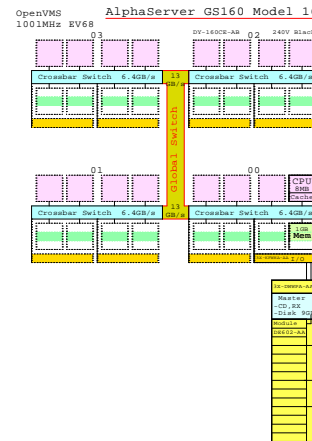
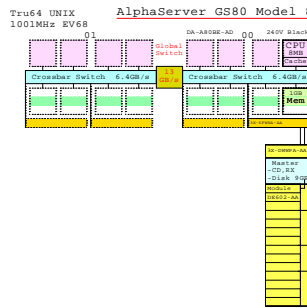
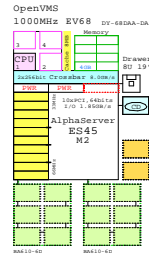
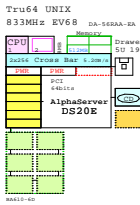
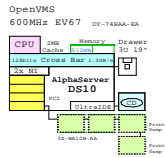
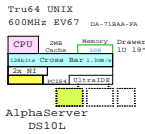
DS20E

ES45

GS80

GS160

GS320



Operating systems:

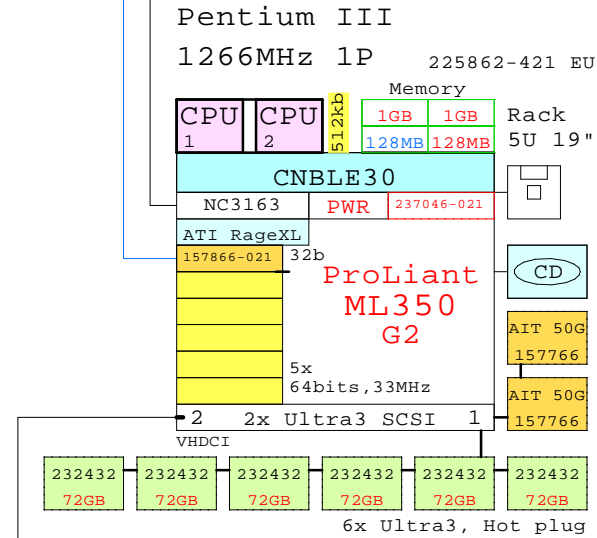
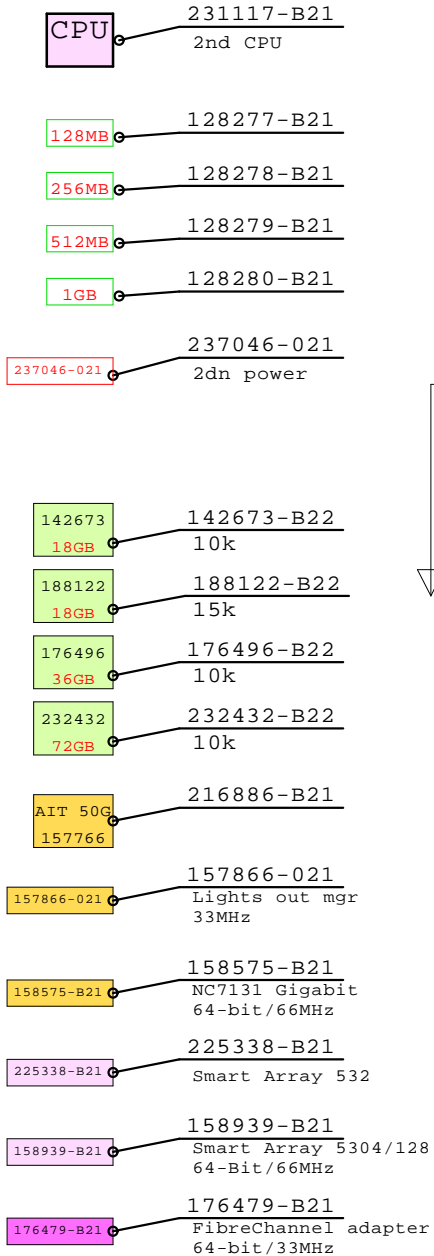
- Tru64 UNIX
- OpenVMS
- Linux

One U

Cabinets..

More Alpha GOLDEN EGGS Examples in Web: www.compaq.com/golden-eggs

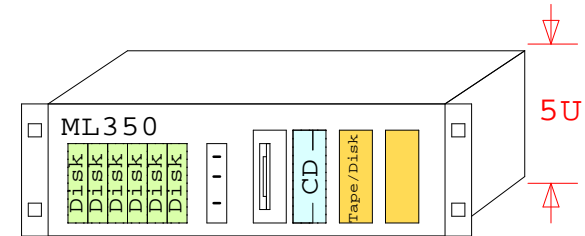
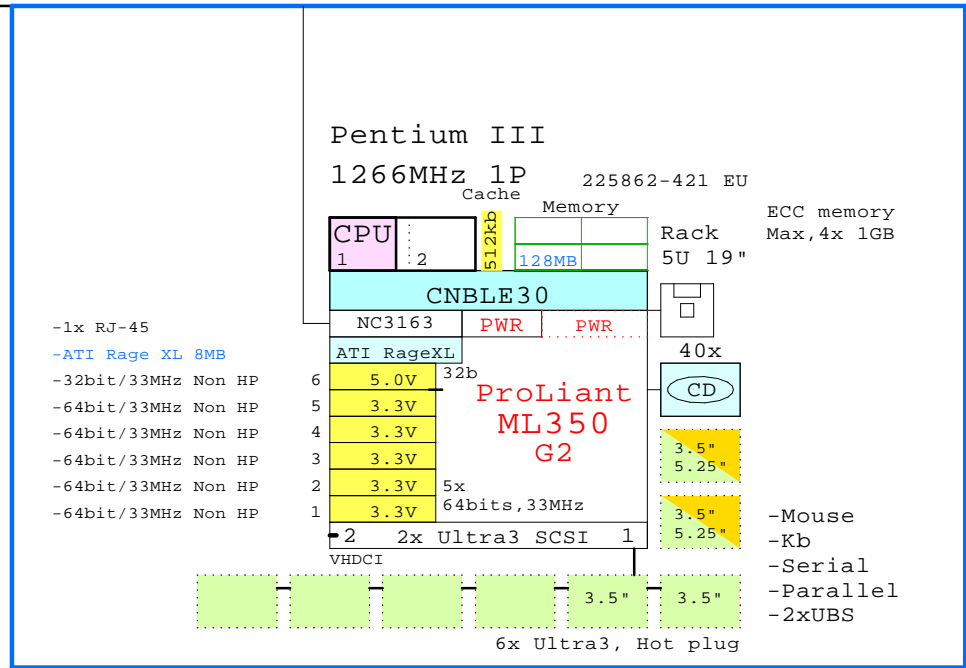
Internal Options:



▼ Cable kit for external storage.
159547-B22 Int/Ext SCSI cable kit

BOM of the system above

Part Number	Qty	Description
1	225862-421	1 ProLiant ML350 G2 1266MHz 128MB Rack 5U
1.1	128277-B21	1 128MB 133HMz ECC SDRAM 1x128MB
1.2	128280-B21	2 1GB 133HMz ECC SDRAM 1x1024MB
1.3	157766-B21	2 50GB AIT tape drive, Internal
1.4	157866-021	1 CPQ Remote Insight manager kit
1.5	231117-B21	1 Pentium III P1266-512kb processor kit
1.6	232432-B22	6 72.8GB 10000r Ultra3 SCSI disk 1"
1.7	237046-021	1 ML350 second power supply, EU



ML350 G2




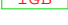



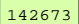
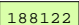
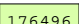
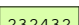

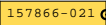
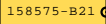
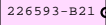
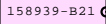
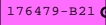
www.Compaq.com/golden-eggs

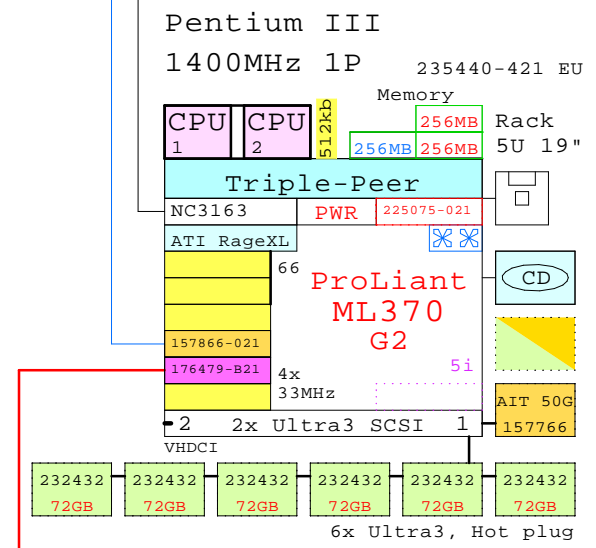
Since:Jan-2002

COMPAQ	07-Jan-2002	GEIML350a
	Matti.Patari@compaq.com	
ProLiant ML350 G2 system GOLDEN EGGS Visuals, Helsinki		

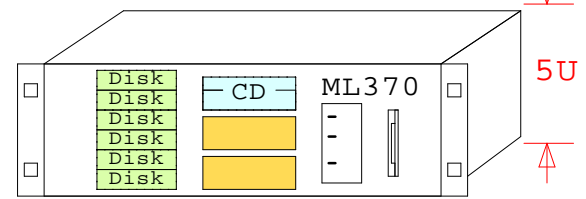
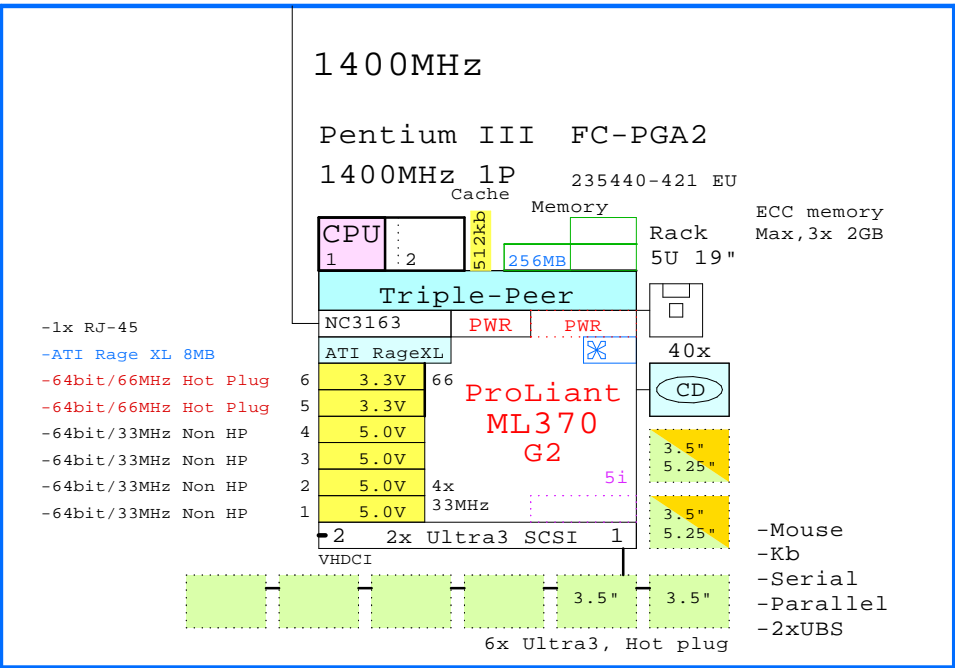
ML350 2P

Internal Options:

-  231118-B21
2nd CPU
1400MHz
-  201692-B21
-  201693-B21
-  201694-B21
-  201695-B21
-  225075-021
2dn power
-  225073-B21
Fan kit
-  142673-B22
18GB 10k
-  188122-B22
18GB 15k
-  176496-B22
36GB 10k
-  232432-B22
72GB 10k
-  157766-B21
AIT 50G
157766
-  157866-021
Lights out mgr
33MHz
-  158575-B21
NC7131 Gigabit
64-bit/66MHz
-  226593-B21
Smart 5i
add module
-  158939-B21
Smart Array 5304/128
64-Bit/66MHz
-  176479-B21
FibreChannel adapter
64-bit/33MHz



To Fibre Channel Storage



ML370 G2

BOM of the system above

Part Number	Qty	Description
235440-421	1	ProLiant ML370 G2 1400MHz 256MB Rack 5U
157766-B21	1	50GB AIT tape drive, Internal
157866-021	1	CPQ Remote Insight manager kit
176479-B21	1	Host Buss Cntrl KGPSA-CB,NT only
201692-B21	2	256MB 133HMz ECC SDRAM (2x128MB)
225073-B21	1	ML370 Hot plug blower kit, 2x fans
225075-021	1	ML370R02 second power supply
231118-B21	1	Pentium III P1400-512kb processor kit
232432-B22	6	72.8GB 10000r Ultra3 SCSI disk 1"

www.Compaq.com/golden-eggs

Since:Feb-2002

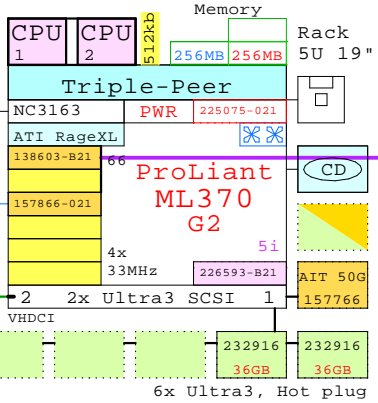
COMPAQ	22-Feb-2002	GEIML370b
	Matti.Patari@compaq.com	

ProLiant ML370 G2 sys. 1400NHZ
GOLDEN EGGS Visuals, Helsinki

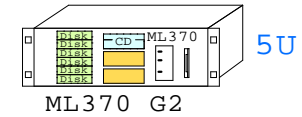
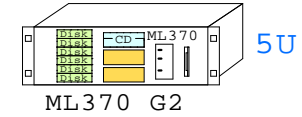
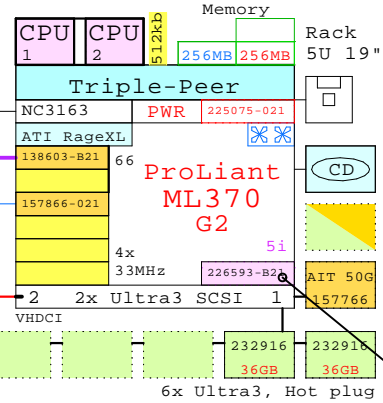
ML370 2P

Compaq ProLiant ML370 G2 2P

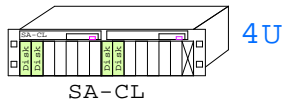
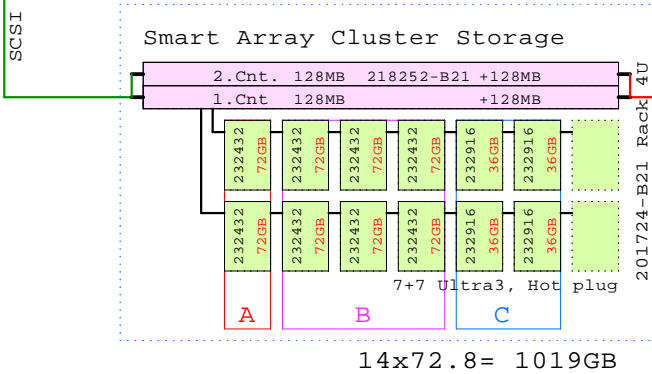
Pentium III
1400MHz 1P 235440-421 EU



Pentium III
1400MHz 1P 235440-421 EU



Smart Array Cluster Storage



Smart Array 5i Wide Ultra3 module

BOM of this Cluster

Part Number	Qty	Description
235440-421	1	ProLiant ML370 G2 1400MHz 256MB Rack 5U
1.1	1	138603-B21 Compaq NC3134 Fast Ethernet Dual port
1.2	1	157766-B21 50GB AIT tape drive, Internal
1.3	1	157866-021 CPQ Remote Insight manager kit
1.4	1	201692-B21 256MB 133MHz ECC SDRAM (2x128MB)
1.5	1	225073-B21 ML370 Hot plug blower kit, 2x fans
1.6	1	225075-021 ML370R02 second power supply
1.7	1	226593-B21 Smart Array 5i Wide Ultra3 module
1.8	1	231118-B21 Pentium III P1400-512kb processor kit
1.9	2	232916-B22 36GB 15000r Ultra3 SCSI disk 1"
2	1	235440-421 ProLiant ML370 G2 1400MHz 256MB Rack 5U
2.1	1	138603-B21 Compaq NC3134 Fast Ethernet Dual port
2.2	1	157766-B21 50GB AIT tape drive, Internal
2.3	1	157866-021 CPQ Remote Insight manager kit
2.4	1	201692-B21 256MB 133MHz ECC SDRAM (2x128MB)
2.5	1	225073-B21 ML370 Hot plug blower kit, 2x fans
2.6	1	225075-021 ML370R02 second power supply
2.7	1	226593-B21 Smart Array 5i Wide Ultra3 module
2.8	1	231118-B21 Pentium III P1400-512kb processor kit
2.9	2	232916-B22 36GB 15000r Ultra3 SCSI disk 1"
3	1	201724-B21 Smart Array Cluster 128MB Rack 4U
3.1	1	153506-B21 128MB Battery Backed Cache Upgrade
3.2	1	218252-B21 Smart Array Cluster Cntrl 2nd 128MB
3.2.1	1	153506-B21 128MB Battery Backed Cache Upgrade
3.3	8	232432-B22 72.8GB 10000r Ultra3 SCSI disk 1"
3.4	4	232916-B22 36GB 15000r Ultra3 SCSI disk 1"

www.Compaq.com/golden-eggs

Since: Feb-2002

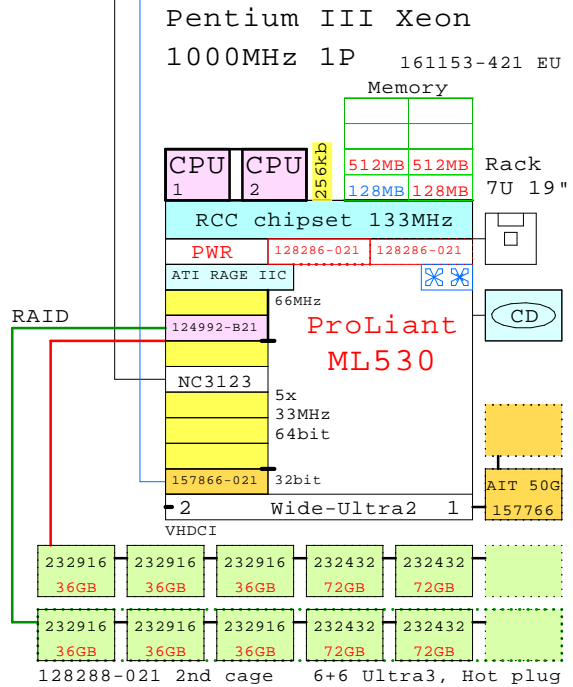
COMPAQ	22-Feb-2002	GTIML370b0
	Matti.Patari@Compaq.com	

ProLiant ML370 G2 SA-Cluster
GOLDEN EGGS Visuals, Helsinki

ML370 2P

Internal Options:

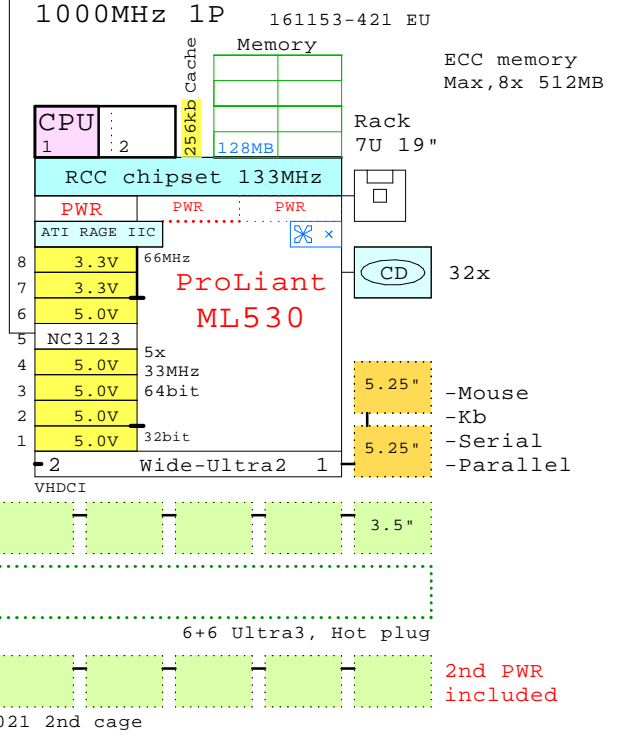
- CPU** 128283-B21 2nd CPU
- 128MB** 128277-B21
- 256MB** 128278-B21
- 512MB** 128279-B21
- 128248-B21** Fan kit
- 128286-021** 2nd,3rd power
- 142673** 142673-B22 10k
- 188122** 188122-B22 15k
- 176496** 176496-B22 10k
- 232432** 232432-B22 10k
- AIT 50G** 157766-B21



-Graphics

- 64bit/66MHz Non HP
- 64bit/66MHz Non HP
- 64bit/33MHz Non HP
- 64bit/33MHz Non HP
- 64bit/33MHz Non HP
- 64bit/33MHz Non HP
- 64bit/33MHz Non HP
- 32bit/33MHz Non HP

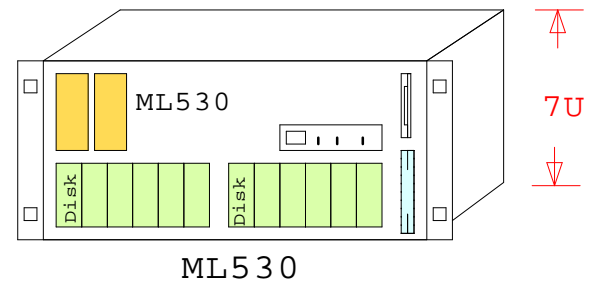
Pentium III Xeon



BOM of the system above

Part Number	Qty	Description
1	1	161153-421 ProLiant ML530 1000MHz 128MB Rack 7U
1.1	1	124992-B21 Smart Array 5302/64MB,Ultra3 2-chan
1.2	1	128248-B21 ML570 Hot plug blower kit, 2x fans
1.3	1	128277-B21 128MB 133MHz ECC SDRAM 1x128MB
1.4	2	128279-B21 512MB 133MHz ECC SDRAM 1x512MB
1.5	1	128283-B21 Pentium III Xeon 1000 256KB processor ki
1.6	1	128286-021 ML570/530 R02 second power supply, Int
1.7	1	128288-021 Ultra 2/3 Simplex Drive Cage,6x1" Euro
1.7.1	2	232432-B22 72.8GB 10000r Ultra3 SCSI disk 1"
1.7.2	3	232916-B22 36GB 15000r Ultra3 SCSI disk 1"
1.8	1	157766-B21 50GB AIT tape drive, Internal
1.9	1	157866-021 CPQ Remote Insight manager kit
1.10	2	232432-B22 72.8GB 10000r Ultra3 SCSI disk 1"
1.11	3	232916-B22 36GB 15000r Ultra3 SCSI disk 1"

- 157866-021** Lights out mgr 33MHz
- 158575-B21** NC7131 Gigabit 64-bit/66MHz
- 138603-B21** NC3134 Ethernet, Dual 64-bit/66MHz
- 158939-B21** Smart Array 5304/128 64-Bit/66MHz
- 176479-B21** FibreChannel adapter 64-bit/33MHz



www.Compaq.com/golden-eggs

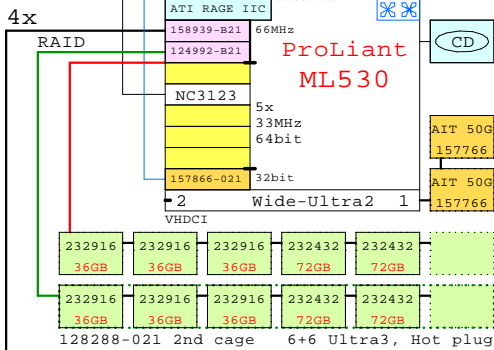
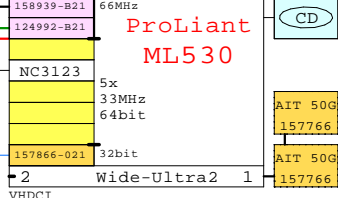
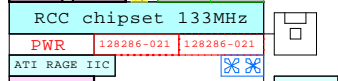
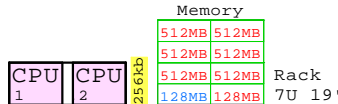
Since:Feb-2002

COMPAQ	18-Feb-2002	GEIML530a
	Matti.Patari@compaq.com	

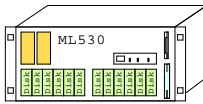
ProLiant ML530 2PIII 1000Mhz
GOLDEN EGGS Visuals, Helsinki

ML530 2P

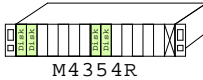
Pentium III Xeon
1000MHz 1P 161153-421 EU



Compaq ProLiant ML530 2P

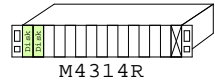


ML530

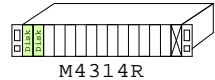


M4354R

SCSI cables VHDCI - VHDCI
12ft included in M43xx

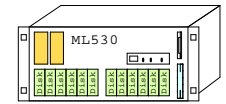
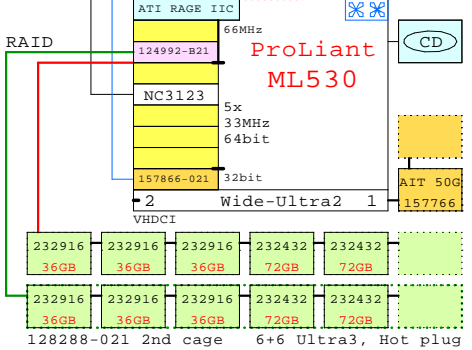
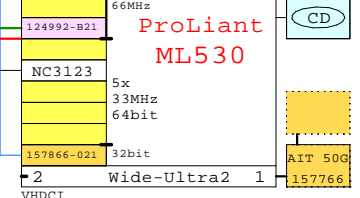
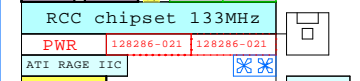
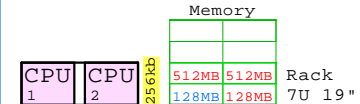


M4314R



M4314R

Pentium III Xeon
1000MHz 1P 161153-421 EU



ML530

Bill of material

Part Number	Qty	Description
1	1	161153-421 1 ProLiant ML530 1000MHz 128MB Rack 7U
1.1	1	124992-B21 1 Smart Array 5302/64MB,Ultra3 2-chan
1.2	1	128248-B21 1 ML570 Hot plug blower kit, 2x fans
1.3	1	128277-B21 1 128MB 133MHz ECC SDRAM 1x128MB
1.4	2	128279-B21 2 512MB 133MHz ECC SDRAM 1x512MB
1.5	1	128283-B21 1 Pentium III Xeon 1000 256KB processor ki
1.6	1	128286-021 1 ML570/530 R02 second power supply, Int
1.7	1	128288-021 1 Ultra 2/3 Simplex Drive Cage,6x1" Euro
1.7.1	2	232432-B22 2 72.8GB 10000r Ultra3 SCSI disk 1"
1.7.2	3	232916-B22 3 36GB 15000r Ultra3 SCSI disk 1"
1.8	1	157766-B21 1 50GB AIT tape drive, Internal
1.9	1	157866-021 1 CPQ Remote Insight manager kit
1.10	2	232432-B22 2 72.8GB 10000r Ultra3 SCSI disk 1"
1.11	3	232916-B22 3 36GB 15000r Ultra3 SCSI disk 1"

Bill of material

Part Number	Qty	Description
1	1	161153-421 1 ProLiant ML530 1000MHz 128MB Rack 7U
1.1	1	124992-B21 1 Smart Array 5302/64MB,Ultra3 2-chan
1.2	1	128248-B21 1 ML570 Hot plug blower kit, 2x fans
1.3	1	128277-B21 1 128MB 133MHz ECC SDRAM 1x128MB
1.4	6	512MB 133MHz ECC SDRAM 1x512MB
1.5	1	128283-B21 1 Pentium III Xeon 1000 256KB processor ki
1.6	1	128286-021 1 ML570/530 R02 second power supply, Int
1.7	1	128288-021 1 Ultra 2/3 Simplex Drive Cage,6x1" Euro
1.7.1	2	232432-B22 2 72.8GB 10000r Ultra3 SCSI disk 1"
1.7.2	3	232916-B22 3 36GB 15000r Ultra3 SCSI disk 1"
1.8	2	50GB AIT tape drive, Internal
1.9	1	157866-021 1 CPQ Remote Insight manager kit
1.10	1	158939-B21 1 Smart Array 5304/128MB,Ultra3 4-chan
1.11	2	232432-B22 2 72.8GB 10000r Ultra3 SCSI disk 1"
1.12	3	232916-B22 3 36GB 15000r Ultra3 SCSI disk 1"
2	1	190209-B31 1 Modula M4314R single buss,14x 1.0"
2.1	10	176496-B22 10 36GB 10000r Ultra3 SCSI disk 1"
3	1	190209-B31 1 Modula M4314R single buss,14x 1.0"
3.1	14	176496-B22 14 36GB 10000r Ultra3 SCSI disk 1"
4	1	190211-B31 1 Modula M4354R dual buss, 7+7, 1.0"
4.1	8	232432-B22 8 72.8GB 10000r Ultra3 SCSI disk 1"
5	2	119826-B21 2 Modula M42/314R 2nd power supply

www.Compaq.com/golden-eggs

Since: Feb-2002

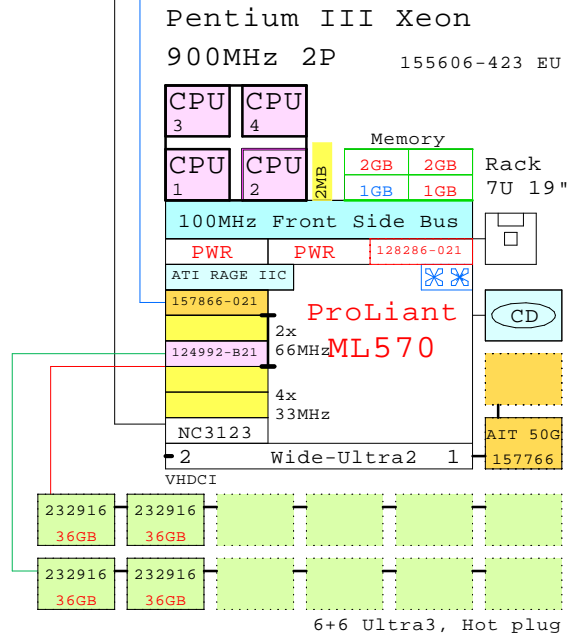
COMPAQ 18-Feb-2002 GTIML530a
Matti.Patari@Compaq.com

ML530 2P

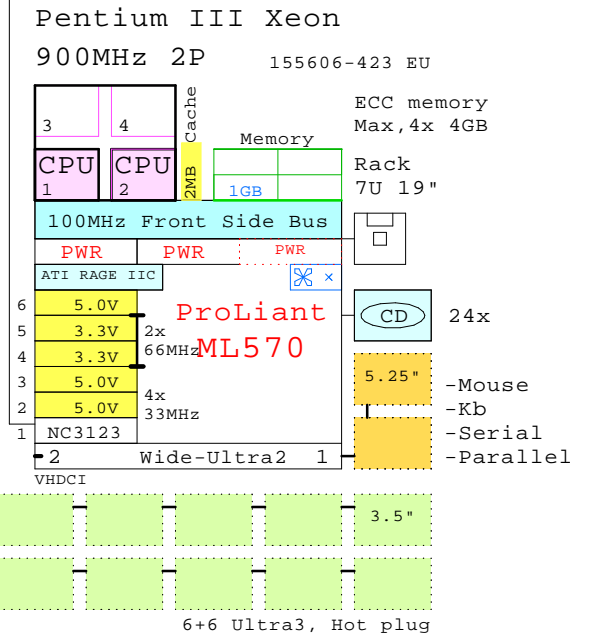
ProLiant ML530 2P Entry System
GOLDEN EGGS Visuals, Helsinki

Internal Options:

- CPU** 222627-B21
3rd, 4th CPU
- 1GB** 189081-B21
- 2GB** 189082-B21
- 4GB** 189083-B21
- 128248-B21
Fan kit
- 128286-021
3rd power
- 142673 142673-B22
18GB 10k
- 188122 188122-B22
18GB 15k
- 176496 176496-B22
36GB 10k
- 232432 232432-B22
72GB 10k
- AIT 50G 157766-B21
157766
- 157866-021 157866-021
Lights out mgr 33MHz
- 158575-B21 158575-B21
NC7131 Gigabit 64-bit/66MHz
- 138603-B21 138603-B21
NC3134 Ethernet, Dual 64-bit/66MHz
- 158939-B21 158939-B21
Smart Array 5304/128 64-Bit/66MHz
- 176479-B21 176479-B21
FibreChannel adapter 64-bit/33MHz

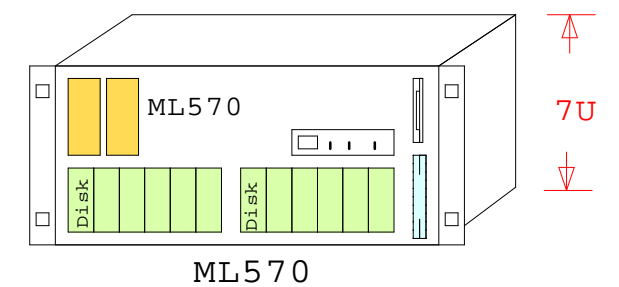


- Graphics
- 32bit/33MHz Non HP
- 64bit/66MHz Hot Plug
- 64bit/66MHz Hot Plug
- 64bit/33MHz Hot Plug
- 64bit/33MHz Hot Plug
- 64bit/33MHz Non HP



BOM of the system above

Part Number	Qty	Description
1	155606-423	1 ProLiant ML570 2P 900MHz 1GB rack 7U
1.1	124992-B21	1 Smart Array 5302/64MB, Ultra3 2-chan
1.2	128248-B21	1 ML570 Hot plug blower kit, 2x fans
1.3	128286-021	1 ML570 R02 second power supply, Int
1.4	157766-B21	1 50GB AIT tape drive, Internal
1.5	157866-021	1 CPQ Remote Insight manager kit
1.6	189081-B21	1 1GB PC100 CL2 ECC SDRAM (4x256MB)
1.7	189082-B21	2 2GB PC100 CL2 ECC SDRAM (4x512MB)
1.8	222627-B21	2 Pentium III Xeon 900-2MB processor kit
1.9	232916-B22	4 36GB 15000r Ultra3 SCSI disk 1"

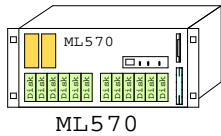
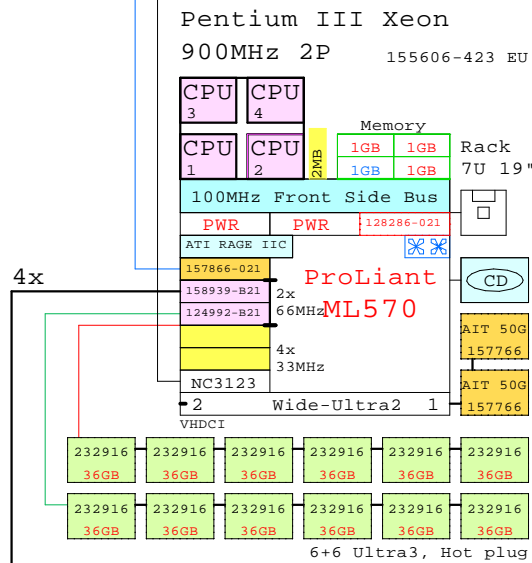


www.Compaq.com/golden-eggs
Since: Dec-2001

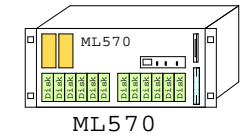
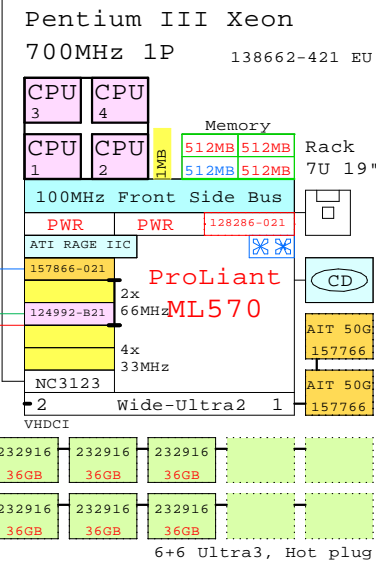
COMPAQ	18-Dec-2001	GEIML570a
	Matti.Patari@compaq.com	

ProLiant ML570 2PIII X900 2M
GOLDEN EGGS Visuals, Helsinki

Compaq ProLiant ML570 2P/1P

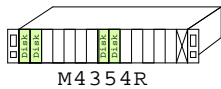
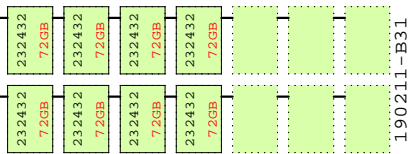


ML570



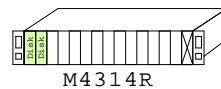
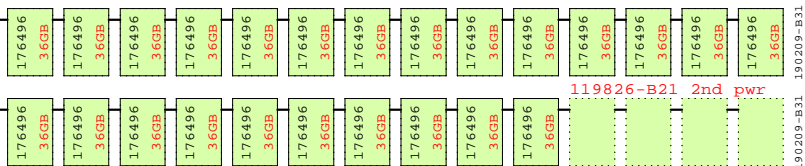
ML570

RAID 4ch

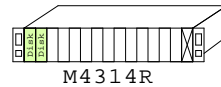


M4354R

SCSI cables VHDCI - VHDCI
12ft included in M43xx



M4314R



M4314R

Bill of material

Part Number	Qty	Description
1	155606-423	1 ProLiant ML570 2P 900MHz 1GB rack 7U
1.1	124992-B21	1 Smart Array 5302/64MB,Ultra3 2-chan
1.2	128248-B21	1 ML570 Hot plug blower kit, 2x fans
1.3	128286-021	1 ML570 R02 second power supply, Int
1.4	157766-B21	2 50GB AIT tape drive, Internal
1.5	157866-021	1 CPQ Remote Insight manager kit
1.6	158939-B21	1 Smart Array 5304/128MB,Ultra3 4-chan
1.7	189081-B21	3 1GB PC100 CL2 ECC SDRAM (4x256MB)
1.8	222627-B21	2 Pentium III Xeon 900-2MB processor kit
1.9	232916-B22	12 36GB 15000r Ultra3 SCSI disk 1"
2	190209-B31	1 Modula M4314R single buss,14x 1.0"
2.1	176496-B22	10 36GB 10000r Ultra3 SCSI disk 1"
3	190209-B31	1 Modula M4314R single buss,14x 1.0"
3.1	176496-B22	14 36GB 10000r Ultra3 SCSI disk 1"
4	190211-B31	1 Modula M4354R dual buss, 7+7, 1.0"
4.1	232432-B22	8 72.8GB 10000r Ultra3 SCSI disk 1"
5	119826-B21	2 Modula M42/314R 2nd power supply

Bill of material

Part Number	Qty	Description
1	138662-421	1 ProLiant ML570 1P 700MHz 512MB rack 7U
1.1	124992-B21	1 Smart Array 5302/64MB,Ultra3 2-chan
1.2	128248-B21	1 ML570 Hot plug blower kit, 2x fans
1.3	128286-021	1 ML570 R02 second power supply, Int
1.4	157766-B21	2 50GB AIT tape drive, Internal
1.5	157866-021	1 CPQ Remote Insight manager kit
1.6	174448-B21	3 Pentium III Xeon 700-1MB processor kit
1.7	189080-B21	3 512MB PC100 CL2 ECC SDRAM (4x128MB)
1.8	232916-B22	8 36GB 15000r Ultra3 SCSI disk 1"

www.Compaq.com/golden-eggs

Since:Dec-2001

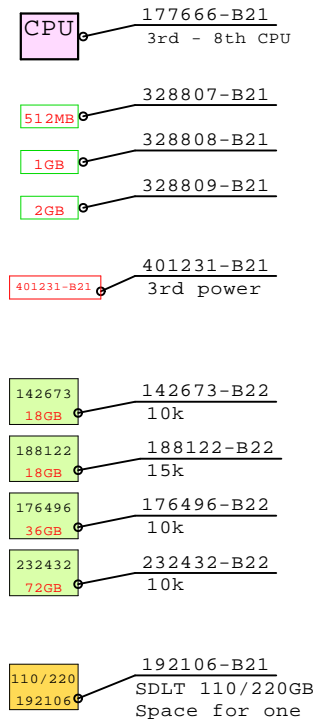


18-Dec-2001 | GTIML570a
Matti.Patari@Compaq.com

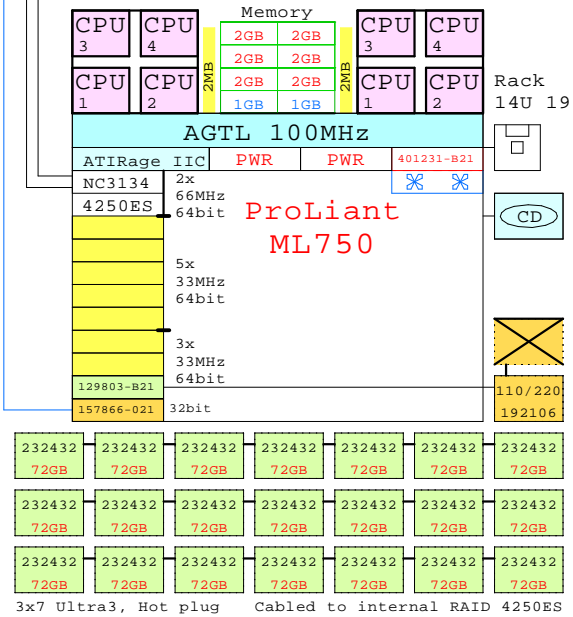
ProLiant ML570 2P Entry System
GOLDEN EGGS Visuals, Helsinki

ML570 4P

Internal Options:

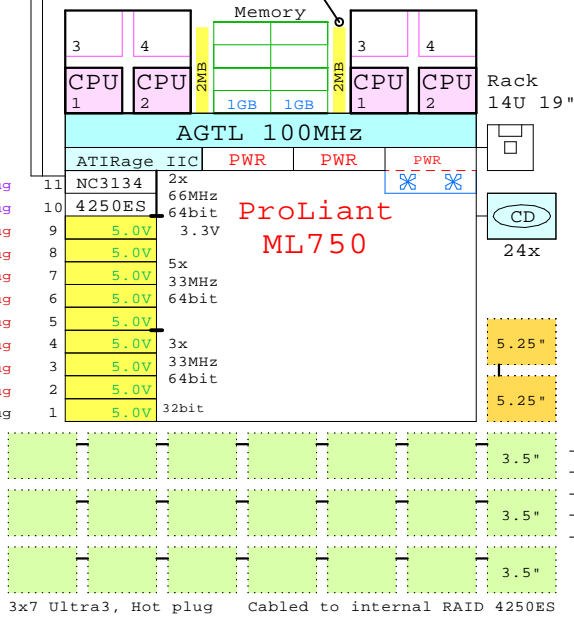


Pentium III Xeon
900MHz 4P
178279-421 EU



Disk total: 21x 72.8GB = 1528GB

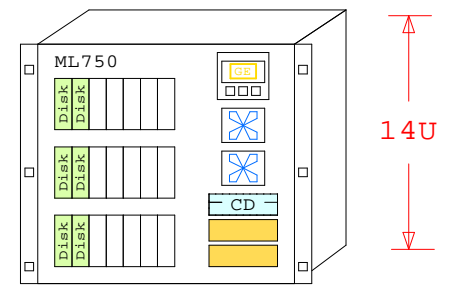
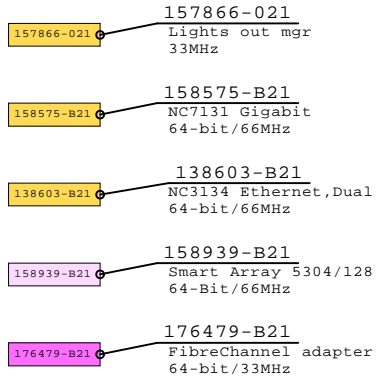
Pentium III Xeon
900MHz 4P
178279-421 EU



- Graphics
- 64bit/66MHz Hot Plug
- 64bit/66MHz Hot Plug
- 64bit/33MHz Hot Plug
- 64bit/33MHz Hot Plug
- 64bit/33MHz Hot Plug
- 64bit/33MHz Hot Plug
- 64bit/33MHz Hot Plug
- 64bit/33MHz Hot Plug
- 64bit/33MHz Hot Plug
- 64bit/33MHz Hot Plug
- 32bit/33MHz Hot Plug

BOM of the system above

Part Number	Qty	Description
178279-421	1	ProLiant ML750 4P 900MHz 2GB rack 7U
1.1	1	Dual CH UWD SCSI dapter LVD 2xVHDCI
1.2	1	CPQ Remote Insight manager kit
1.3	4	Pentium III Xeon 900-2MB processor kit
1.4	1	110/220GB SDLT Drive, Internal, Opal
1.5	21	72.8GB 10000r Ultra3 SCSI disk 1"
1.6	6	2GB 100MHz ECC SDRAM DIMM (2x1024MB)
1.7	1	ML750 third power supply



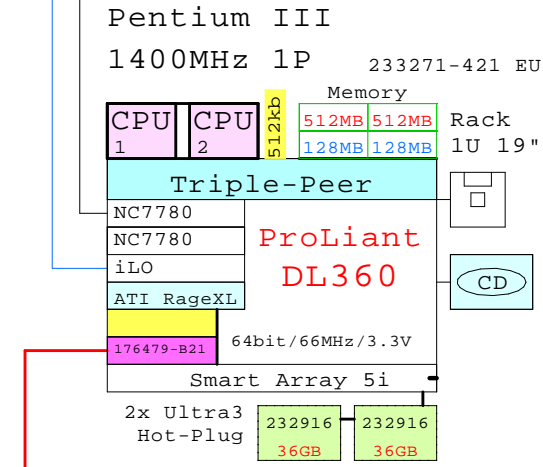
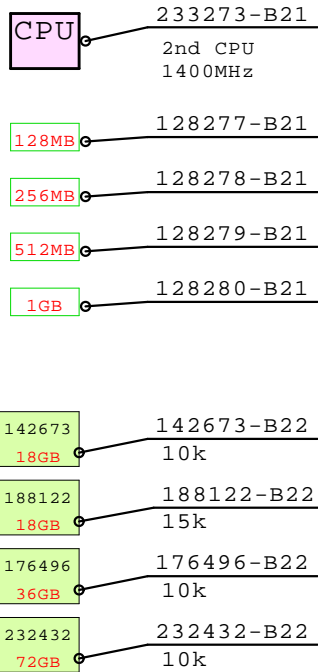
ML750

www.Compaq.com/golden-eggs

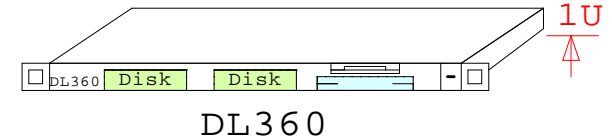
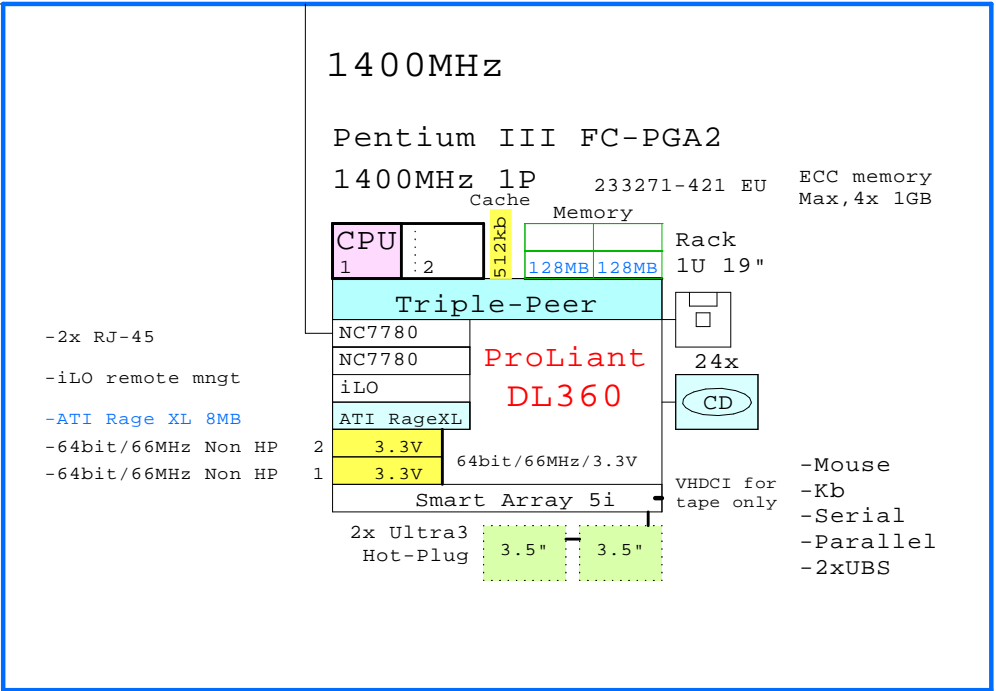
Since: Jan-2002

COMPAQ	10-Jan-2002	GEIML750a
	Matti.Patari@compaq.com	

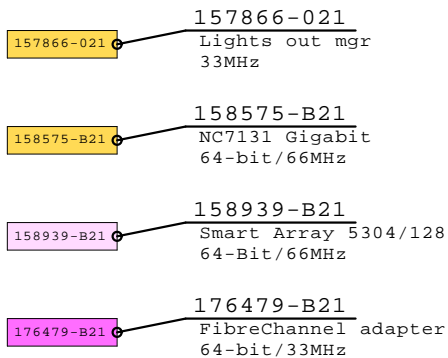
Internal Options:



To Fibre Channel Storage



BOM of the system above



Part Number	Qty	Description
233271-421	1	ProLiant DL360 1400MHz 256MB M1 rack 1U
1.1	2	512MB 133MHz ECC SDRAM 1x512MB
1.2	1	Host Buss Cntrl KGPSA-CB,NT only
1.3	2	36GB 15000r Ultra3 SCSI disk 1"
1.4	1	PIII FCPGA 1400-512kb processor kit

www.Compaq.com/golden-eggs

Since:Jan-2002

COMPAQ

31-Jan-2002

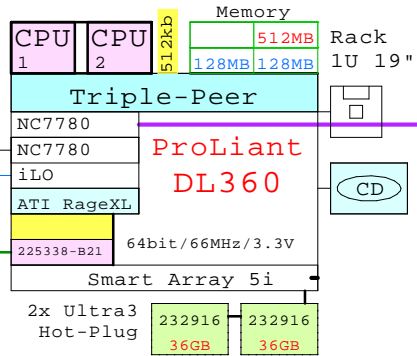
GEIDL360b

Matti.Patari@compaq.com

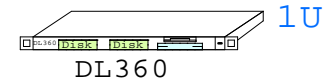
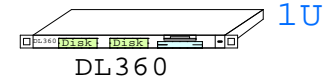
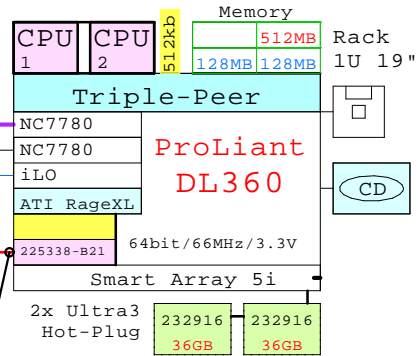
ProLiant DL360 G2 sys. 1400MHz
GOLDEN EGGS Visuals, Helsinki

Compaq ProLiant DL360 2P

Pentium III
1400MHz 1P 233271-421 EU

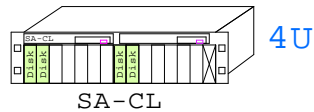
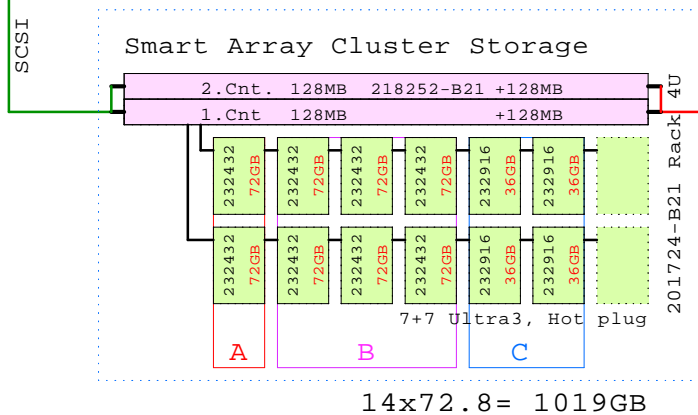


Pentium III
1400MHz 1P 233271-421 EU



Smart Array 532, RAID Ultra3 2-chan

Smart Array Cluster Storage



BOM of this Cluster

Part Number	Qty	Description
1	201724-B21	1 Smart Array Cluster 128MB Rack 4U
1.1	153506-B21	1 128MB Battery Backed Cache Upgrade
1.2	218252-B21	1 Smart Array Cluster Cntrl 2nd 128MB
1.2.1	153506-B21	1 128MB Battery Backed Cache Upgrade
1.3	232432-B22	8 72.8GB 10000r Ultra3 SCSI disk 1"
1.4	232916-B22	4 36GB 15000r Ultra3 SCSI disk 1"
2	233271-421	1 ProLiant DL360 1400MHz 256MB M1 rack 1U
2.1	128279-B21	1 512MB 133HMz ECC SDRAM 1x512MB
2.2	225338-B21	1 Smart Array 532, RAID Ultra3 2-chan
2.3	232916-B22	2 36GB 15000r Ultra3 SCSI disk 1"
2.4	233273-B21	1 PIII FCPGA 1400-512kb processor kit
3	233271-421	1 ProLiant DL360 1400MHz 256MB M1 rack 1U
3.1	128279-B21	1 512MB 133HMz ECC SDRAM 1x512MB
3.2	225338-B21	1 Smart Array 532, RAID Ultra3 2-chan
3.3	232916-B22	2 36GB 15000r Ultra3 SCSI disk 1"
3.4	233273-B21	1 PIII FCPGA 1400-512kb processor kit

www.Compaq.com/golden-eggs

Since:Feb-2002

COMPAQ

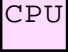




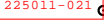

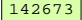
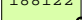
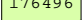
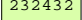

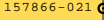
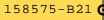
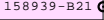
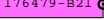
14-Feb-2002 GTIDL360b0

Matti.Patari@Compaq.com

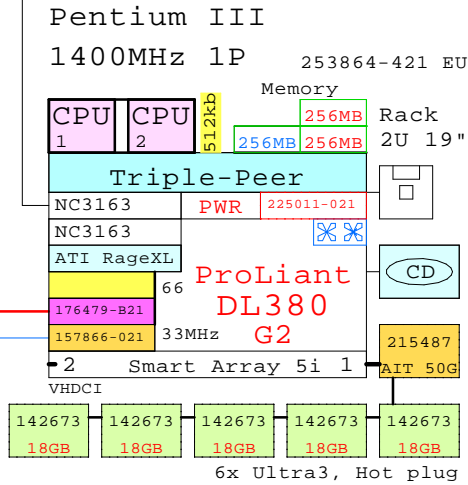
DL360 2P

ProLiant DL360 2P SA-Cluster
GOLDEN EGGS Visuals, Helsinki

Internal Options:

-  201099-B21
2nd CPU
1400MHz
-  201692-B21
256MB
-  201693-B21
512MB
-  201694-B21
1GB
-  201695-B21
2GB
-  225011-021
2dn power
-  225012-B21
Fan kit
-  142673-B22
18GB 10k
-  188122-B22
18GB 15k
-  176496-B22
36GB 10k
-  232432-B22
72GB 10k
-  215487-B21
AIT 50G
-  157866-021
Lights out mgr
33MHz
-  158575-B21
NC7131 Gigabit
64-bit/66MHz
-  158939-B21
Smart Array 5304/128
64-Bit/66MHz
-  176479-B21
FibreChannel adapter
64-bit/33MHz

To Fibre Channel Storage

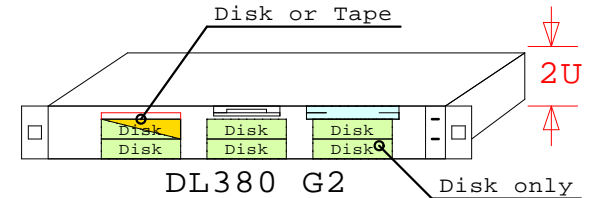
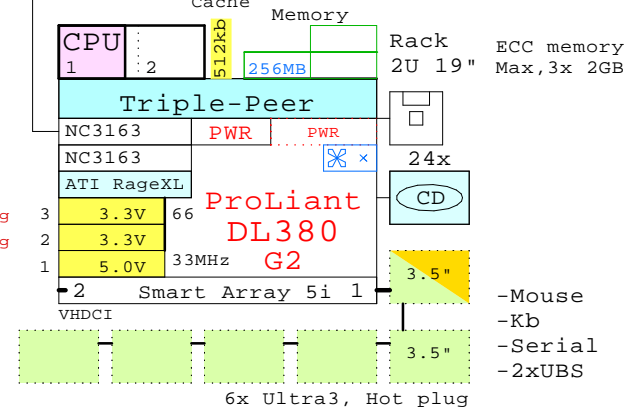


-2x RJ-45

- ATI Rage XL 8MB
- 64bit/66MHz Hot Plug
- 64bit/66MHz Hot Plug
- 64bit/33MHz Non HP

1400Mhz

Pentium III FC-PGA2
1400MHz 1P 253864-421 EU



BOM of the system above

	Part Number	Qty	Description
1	253864-421	1	ProLiant DL380 G2 1400MHz 256MB rack 2U
1.1	142673-B22	5	18.2GB 10000r Ultra3 SCSI disk 1"
1.2	157866-021	1	CPQ Remote Insight manager kit
1.3	176479-B21	1	Host Buss Cntrl KGPSA-CB,NT only
1.4	201099-B21	1	Pentium III P1400-512kb processor kit
1.5	201692-B21	2	256MB 133MHz ECC SDRAM (2x128MB)
1.6	215487-B21	1	50/100GB Hot plug AIT tape drive
1.7	225011-021	1	DL380R02 second power supply
1.8	225012-B21	1	Hot plug blower option kit, 3x fans

www.Compaq.com/golden-eggs

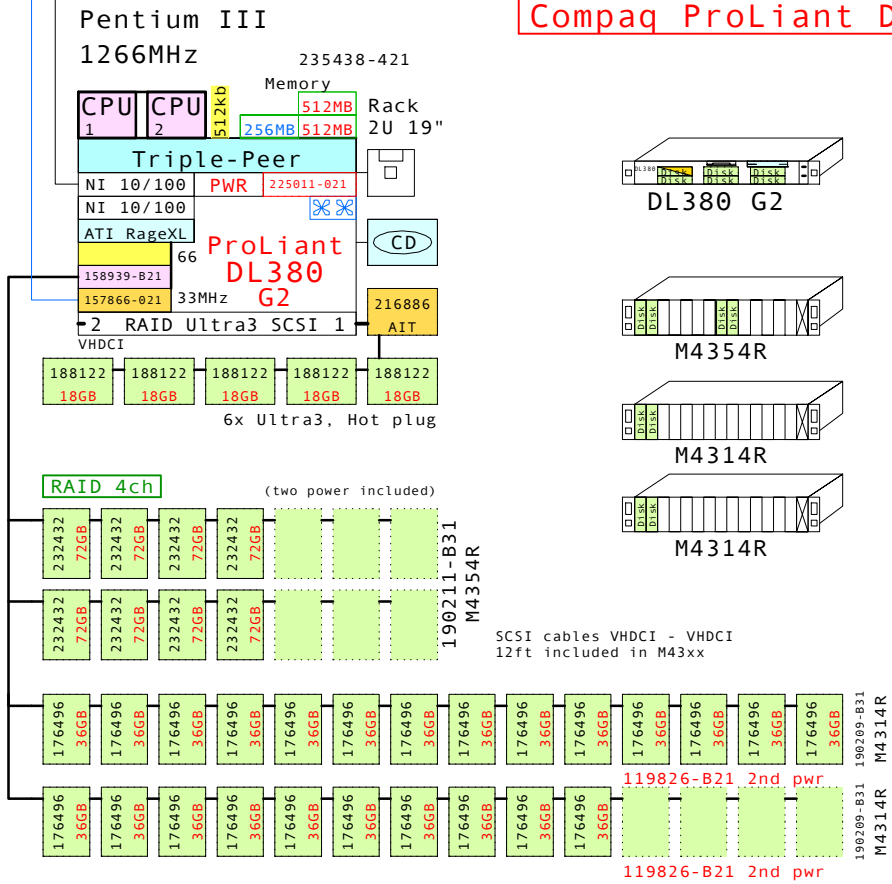
Since:Jan-200

COMPAQ

31-Jan-2002 GEIDL380b
Matti.Patari@compaq.com

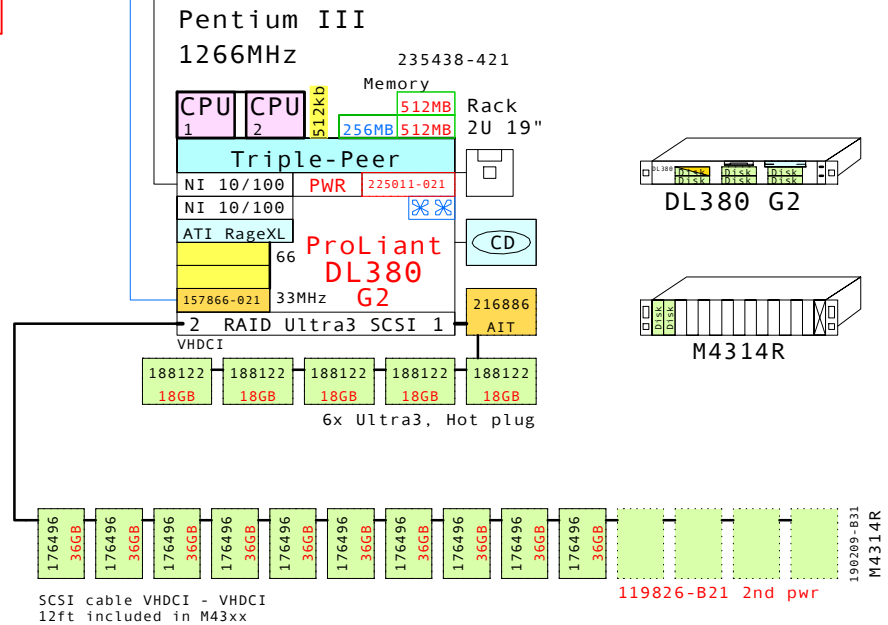
ProLiant DL380 G2 sys. 1400Mhz
GOLDEN EGGS Visuals, Helsinki

Compaq ProLiant DL380 G2



Bill of material

	Part Number	Qty	Description
1	235438-421	1	ProLiant DL380 G2 1266MHz 256MB rack 2U
1.1	157866-021	1	CPQ Remote Insight manager kit
1.2	158939-B21	1	Smart Array 5304/128MB, Ultra3 4-chan
1.3	188122-B22	5	18.2GB 15000r Ultra3 SCSI disk 1"
1.4	201098-B21	1	Pentium III P1266-512kb processor kit
1.5	201693-B21	2	512MB 133MHz ECC SDRAM (2x256MB)
1.6	216886-B21	1	35/70GB Hot plug AIT tape drive
1.7	225011-021	1	DL380R02 second power supply
1.8	225012-B21	1	Hot plug blower option kit, 3x fans
2	190209-B31	1	Modula M4314R single buss, 14x 1.0"
2.1	176496-B22	10	36GB 10000r Ultra3 SCSI disk 1"
3	190209-B31	1	Modula M4314R single buss, 14x 1.0"
3.1	176496-B22	14	36GB 10000r Ultra3 SCSI disk 1"
4	190211-B31	1	Modula M4354R dual buss, 7+7, 1.0"
4.1	232432-B22	8	72.8GB 10000r Ultra3 SCSI disk 1"
5	119826-B21	2	Modula M42/314R 2nd power supply



Bill of material

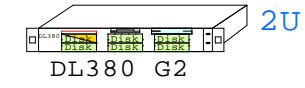
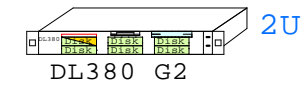
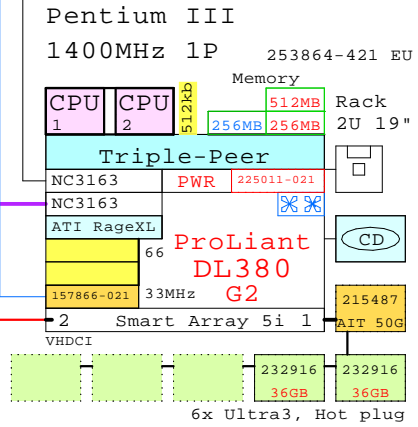
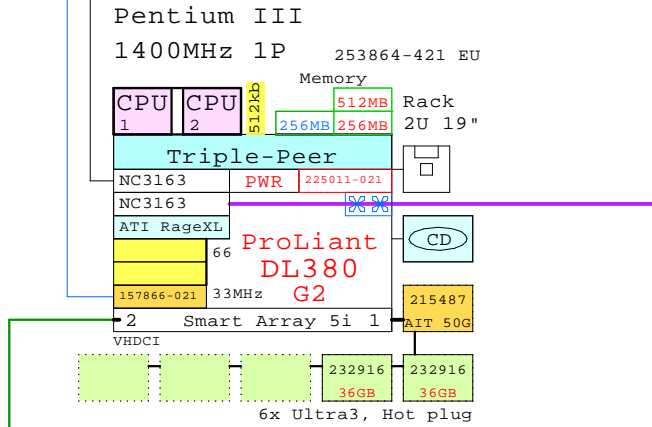
	Part Number	Qty	Description
1	235438-421	1	ProLiant DL380 G2 1266MHz 256MB rack 2U
1.1	157866-021	1	CPQ Remote Insight manager kit
1.2	188122-B22	5	18.2GB 15000r Ultra3 SCSI disk 1"
1.3	201098-B21	1	Pentium III P1266-512kb processor kit
1.4	201693-B21	2	512MB 133MHz ECC SDRAM (2x256MB)
1.5	216886-B21	1	35/70GB Hot plug AIT tape drive
1.6	225011-021	1	DL380R02 second power supply
1.7	225012-B21	1	Hot plug blower option kit, 3x fans
2	190209-B31	1	Modula M4314R single buss, 14x 1.0"
2.1	176496-B22	10	36GB 10000r Ultra3 SCSI disk 1"
3	119826-B21	1	Modula M42/314R 2nd power supply

COMPAQ	12-Nov-2001	GTIDL380a
	Matti.Patari@Compaq.com	

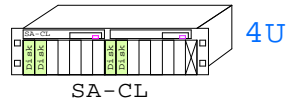
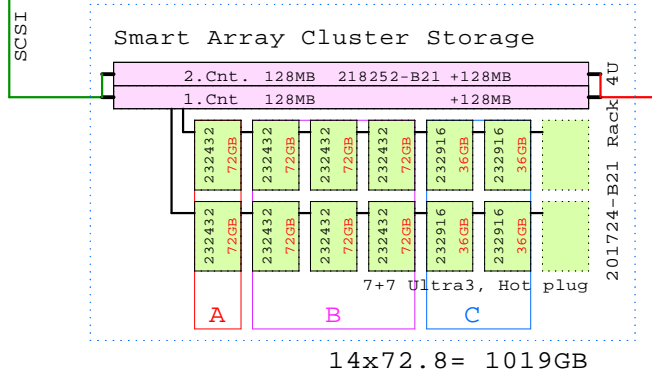
DL380 2P

ProLiant DL380 G2 Entry System
GOLDEN EGGS Visuals, Helsinki

Compaq ProLiant DL380 G2 2P



Smart Array Cluster Storage



BOM of this Smart Array Cluster

Part Number	Qty	Description
1	201724-B21	1 Smart Array Cluster 128MB Rack 4U
1.1	153506-B21	1 128MB Battery Backed Cache Upgrade
1.2	218252-B21	1 Smart Array Cluster Cntrl 2nd 128MB
1.2.1	153506-B21	1 128MB Battery Backed Cache Upgrade
1.3	232432-B22	8 72.8GB 10000r Ultra3 SCSI disk 1"
1.4	232916-B22	4 36GB 15000r Ultra3 SCSI disk 1"
2	253864-421	1 ProLiant DL380 G2 1400MHz 256MB rack 2U
2.1	157866-021	1 CPQ Remote Insight manager kit
2.2	201099-B21	1 Pentium III P1400-512kb processor kit
2.3	201692-B21	1 256MB 133MHz ECC SDRAM (2x128MB)
2.4	201693-B21	1 512MB 133MHz ECC SDRAM (2x256MB)
2.5	215487-B21	1 50/100GB Hot plug AIT tape drive
2.6	225011-021	1 DL380R02 second power supply
2.7	225012-B21	1 Hot plug blower option kit, 3x fans
2.8	232916-B22	2 36GB 15000r Ultra3 SCSI disk 1"
3	253864-421	1 ProLiant DL380 G2 1400MHz 256MB rack 2U
3.1	157866-021	1 CPQ Remote Insight manager kit
3.2	201099-B21	1 Pentium III P1400-512kb processor kit
3.3	201692-B21	1 256MB 133MHz ECC SDRAM (2x128MB)
3.4	201693-B21	1 512MB 133MHz ECC SDRAM (2x256MB)
3.5	215487-B21	1 50/100GB Hot plug AIT tape drive
3.6	225011-021	1 DL380R02 second power supply
3.7	225012-B21	1 Hot plug blower option kit, 3x fans
3.8	232916-B22	2 36GB 15000r Ultra3 SCSI disk 1"

www.Compaq.com/golden-eggs

Since:Feb-2002

COMPAQ	14-Feb-2002	GTIDL380b0
	Matti.Patari@Compaq.com	

ProLiant DL380 G2 SA-Cluster
GOLDEN EGGS Visuals, Helsinki

DL380 2P

Compaq ProLiant DL380 G2 Packaged Cluster

Option order numbers

Pentium III
1266MHz 1P **Node 1**

Pentium III
1266MHz 1P **Node 2**

Pentium III P1266-512kb processor kit

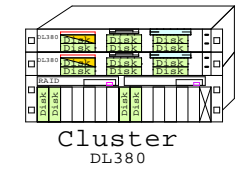
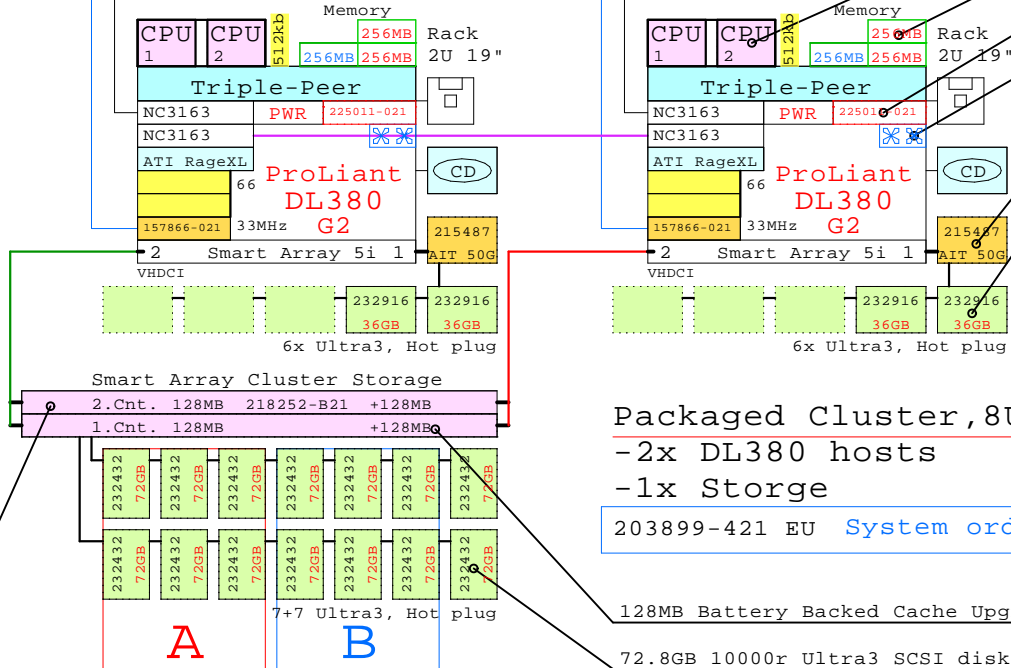
256MB 133MHz ECC SDRAM (2x128MB)

DL380R02 second power supply

Hot plug blower option kit, 3x fans

50/100GB Hot plug AIT tape drive

36GB 15000r Ultra3 SCSI disk 1"



8U

Packaged Cluster, 8U
-2x DL380 hosts
-1x Storage

203899-421 EU **System order number**

128MB Battery Backed Cache Upgrade

72.8GB 10000r Ultra3 SCSI disk 1"

Smart Array Cluster Cntrl 2nd 128MB

BOM of this Cluster

Part Number	Qty	Description
203899-421	1	Cluster DL380 G2 1266MHz 256MB rack 8U
153506-B21	1	128MB Battery Backed Cache Upgrade
157866-021	2	CPQ Remote Insight manager kit
201098-B21	2	Pentium III P1266-512kb processor kit
201692-B21	4	256MB 133MHz ECC SDRAM (2x128MB)
215487-B21	2	50/100GB Hot plug AIT tape drive
218252-B21	1	Smart Array Cluster Cntrl 2nd 128MB
153506-B21	1	128MB Battery Backed Cache Upgrade
225011-021	2	DL380R02 second power supply
225012-B21	2	Hot plug blower option kit, 3x fans
232432-B22	14	72.8GB 10000r Ultra3 SCSI disk 1"
232916-B22	4	36GB 15000r Ultra3 SCSI disk 1"

www.Compaq.com/golden-eggs

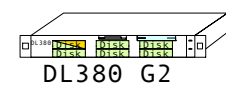
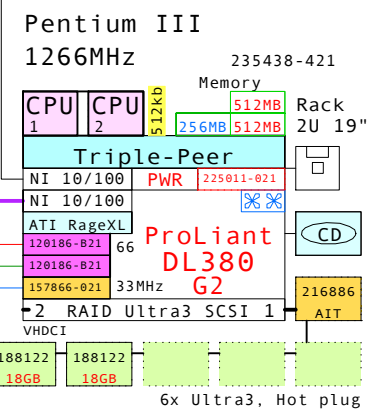
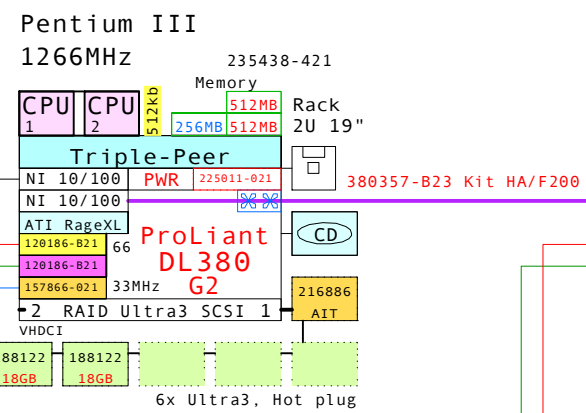
Since:Jan-2002

COMPAQ	14-Feb-2002	GTIDL380b3
	Matti.Patari@Compaq.com	

DL380 G2 Packaged Cluster
GOLDEN EGGS Visuals, Helsinki

Cluster DL380 2P

Compaq ProLiant DL380 G2

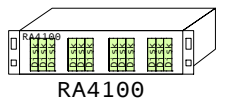
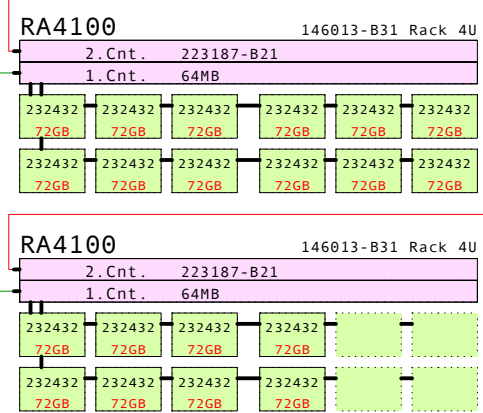


213076-B21 Secure Path W2k
Needed for each node
if NOT clustered.

136127-B21 Rack kit for Hub7



RAID RA4100



BOM of this Cluster

	Part Number	Qty	Description
	235438-421	1	ProLiant DL380 G2 1266MHz 256MB rack 2U
1	120186-B21	2	FC Host Adapter kit PCI 64bit/66MHz
1.1	157866-021	1	CPQ Remote Insight manager kit
1.2	188122-B22	2	18.2GB 15000r Ultra3 SCSI disk 1"
1.3	201098-B21	1	Pentium III PI266-512kb processor kit
1.4	201693-B21	2	512MB 133MHz ECC SDRAM (2x256MB)
1.5	216886-B21	1	35/70GB Hot plug AIT tape drive
1.6	225011-021	1	DL380R02 second power supply
1.7	225012-B21	1	Hot plug blower option kit, 3x fans
1.8			
2	235438-421	1	ProLiant DL380 G2 1266MHz 256MB rack 2U
2.1	120186-B21	2	FC Host Adapter kit PCI 64bit/66MHz
2.2	157866-021	1	CPQ Remote Insight manager kit
2.3	188122-B22	2	18.2GB 15000r Ultra3 SCSI disk 1"
2.4	201098-B21	1	Pentium III PI266-512kb processor kit
2.5	201693-B21	2	512MB 133MHz ECC SDRAM (2x256MB)
2.6	216886-B21	1	35/70GB Hot plug AIT tape drive
2.7	225011-021	1	DL380R02 second power supply
2.8	225012-B21	1	Hot plug blower option kit, 3x fans
3	146013-B31	1	RAID Array 4100 64MB Rack 4U
3.1	223187-B21	1	RA4000 Redundant Controller
3.2	232432-B22	12	72.8GB 10000r Ultra3 SCSI disk 1"
4	146013-B31	1	RAID Array 4100 64MB Rack 4U
4.1	223187-B21	1	RA4000 Redundant Controller
4.2	232432-B22	8	72.8GB 10000r Ultra3 SCSI disk 1"
5	234453-B31	2	Fibre Channel Hub 7 Ports International
6	136127-B21	1	Rack mount kit for Hub 7,universal
7	380357-B23	1	ProLiant HA/F200 Cluster kit NT/W2k

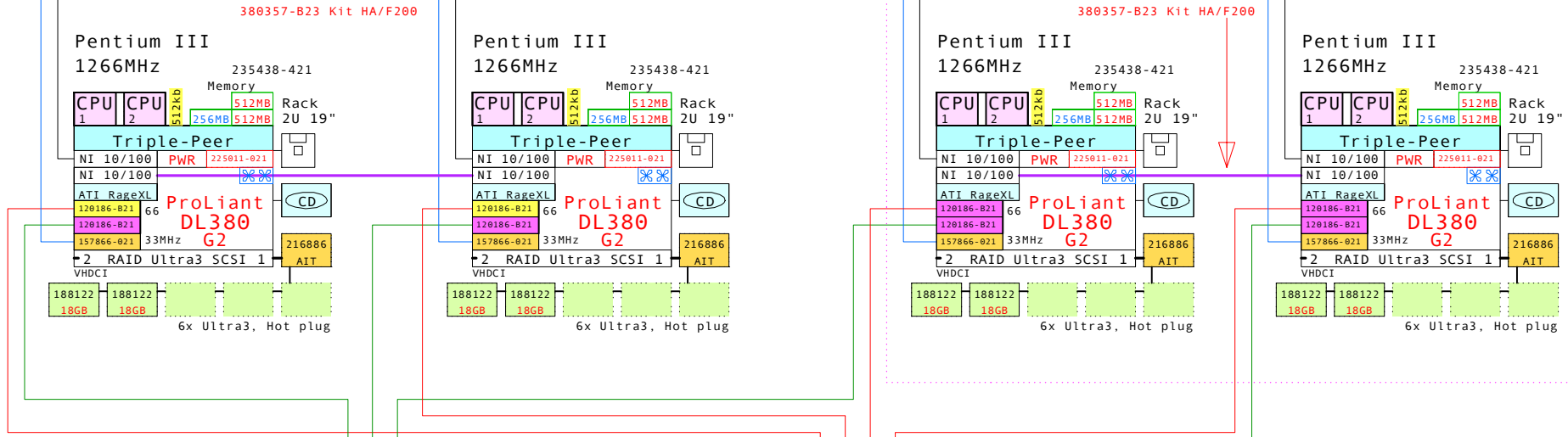
www.Compaq.com/golden-eggs
Since: Oct-2001

COMPAQ	12-Nov-2001	GTIDL380b1
	Matti.Patari@Compaq.com	

ProLiant DL380 G2 FC-Hb/RA4100
GOLDEN EGGS Visuals, Helsinki

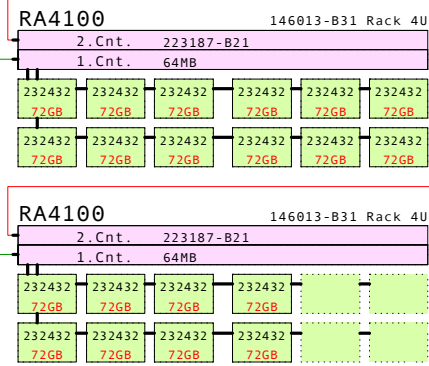
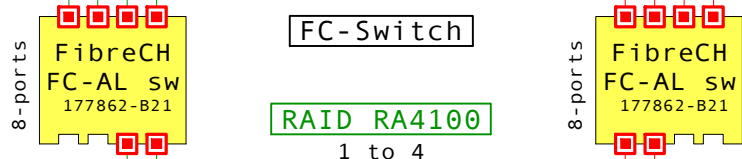
DL380 2P

Compaq ProLiant DL380 G2



167365-B21 Rack kit for SANsw

167365-B21 Rack kit for SANsw



Note:
Each RA4100 is reserved
for a Cluster of its own,
for two hosts.

BOM, one pair of DL380s/Cluster

Part Number	Qty	Description
1	235438-421	1 ProLiant DL380 G2 1266MHz 256MB rack 2U
1.1	120186-B21	2 FC Host Adapter kit PCI 64bit/66MHz
1.2	157866-021	1 CPQ Remote Insight manager kit
1.3	188122-B22	2 18.2GB 15000r Ultra3 SCSI disk 1"
1.4	201098-B21	1 Pentium III P1266-512kb processor kit
1.5	201693-B21	2 512MB 133MHz ECC SDRAM (2x256MB)
1.6	216886-B21	1 35/70GB Hot plug AIT tape drive
1.7	225011-021	1 DL380R02 second power supply
1.8	225012-B21	1 Hot plug blower option kit, 3x fans
2	235438-421	1 ProLiant DL380 G2 1266MHz 256MB rack 2U
2.1	120186-B21	2 FC Host Adapter kit PCI 64bit/66MHz
2.2	157866-021	1 CPQ Remote Insight manager kit
2.3	188122-B22	2 18.2GB 15000r Ultra3 SCSI disk 1"
2.4	201098-B21	1 Pentium III P1266-512kb processor kit
2.5	201693-B21	2 512MB 133MHz ECC SDRAM (2x256MB)
2.6	216886-B21	1 35/70GB Hot plug AIT tape drive
2.7	225011-021	1 DL380R02 second power supply
2.8	225012-B21	1 Hot plug blower option kit, 3x fans
3	380357-B23	1 ProLiant HA/F200 Cluster kit NT/W2k

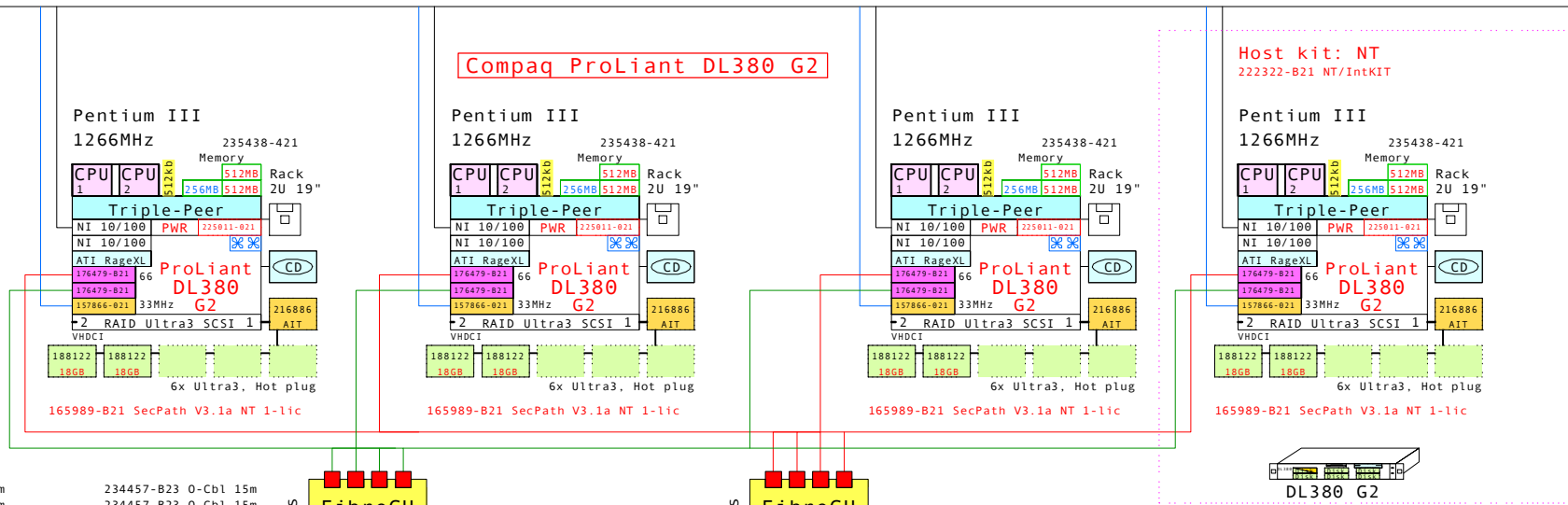
BOM of external storage

Part Number	Qty	Description
1	146013-B31	1 RAID Array 4100 64MB Rack 4U
1.1	223187-B21	1 RA4000 Redundant Controller
1.2	232432-B22	12 72.8GB 10000r Ultra3 SCSI disk 1"
2	146013-B31	1 RAID Array 4100 64MB Rack 4U
2.1	223187-B21	1 RA4000 Redundant Controller
2.2	232432-B22	8 72.8GB 10000r Ultra3 SCSI disk 1"
3	177862-B21	2 Fibre Channel SW FC-AL Switch 8
4	167365-B21	2 Rack mount kit for SAN switch

www.Compaq.com/golden-eggs
Since: Oct-2001

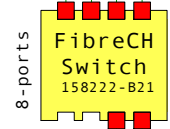
COMPAQ	12-Nov-2001	GTIDL380b2
	Matti.Patari@Compaq.com	
ProLiant DL380 G2 FC-Sw/RA4100		
GOLDEN EGGS Visuals, Helsinki		

DL380 2P

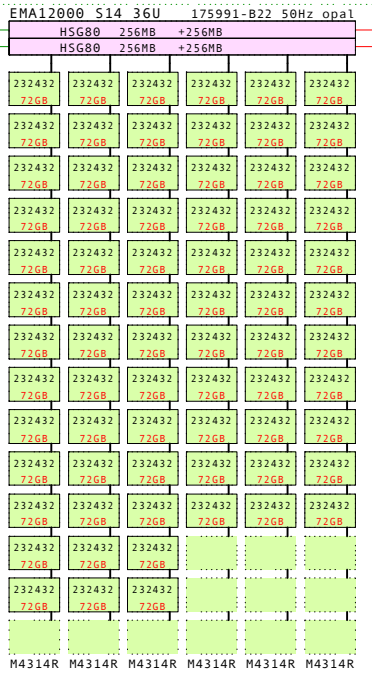


- 234457-B23 O-Cbl 15m
- 234457-B23 O-Cbl 15m
- 234457-B23 O-Cbl 15m
- 234457-B23 O-Cbl 15m
- 234457-B21 O-Cbl 2m
- 234457-B21 O-Cbl 2m

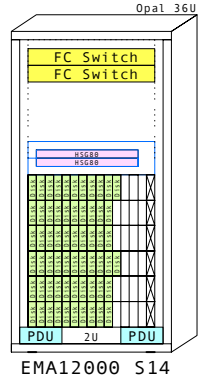
- 160407-B21 2dn power for SANsw
- 167365-B21 Rack kit for SANsw



EMA12000 Max total: 84x 72.4GB = 6082GB



- 135823-B21 Cache BB 222318-B21 ACS 8.6F
- 135823-B21 Cache BB 222318-B21 ACS 8.6F



BOM for the first DL380

Part Number	Qty	Description
1	235438-421	1 ProLiant DL380 G2 1266MHz 256MB rack 2U
1.1	157866-021	1 CPQ Remote Insight manager kit
1.2	176479-B21	2 Host Buss Cntrl KGPSA-CB,NT only
1.3	188122-B22	2 18.2GB 15000r Ultra3 SCSI disk 1"
1.4	201098-B21	1 Pentium III P1266-512kb processor kit
1.5	201693-B21	2 512MB 133MHz ECC SDRAM (2x256MB)
1.6	216886-B21	1 35/70GB Hot plug AIT tape drive
1.7	225011-021	1 DL380R02 second power supply
1.8	225012-B21	1 Hot plug blower option kit, 3x fans
2	165989-B21	1 Secure Path V3.1a for WNT/W2K 1-license
3	222322-B21	1 OS Platf.Sol3. ACS 8.6 FC NT/Intel

BOM of external storage

Part Number	Qty	Description
1	175991-B22	1 EMA12000 S14 36U 50Hz opal
1.1	135823-B21	2 HSGxx Single external cache battery
1.2	176622-B21	1 HSG80 FC Contr with 256MB cache
1.2.1	380674-B21	1 Cache Upg RA8k ESA12k 256MB
1.3	176622-B21	1 HSG80 FC Contr with 256MB cache
1.3.1	380674-B21	1 Cache Upg RA8k ESA12k 256MB
1.4	222318-B21	2 ACS V8.6F controller FCAL/FCSW
1.5	232432-B22	72 72.8GB 10000r Ultra3 SCSI disk 1"
2	158222-B21	1 SAN Switch 8 Ports
2.1	380561-B21	6 FC Optical Short Wave GBIC 500
3	158222-B21	1 SAN Switch 8 Ports
3.1	380561-B21	6 FC Optical Short Wave GBIC 500
4	160407-B21	2 SAN switch redundant power supply
5	167365-B21	2 Rack mount kit for SAN switch
6	234457-B23	8 Fibre Channel 15m Optical Cable
7	234457-B21	4 Fibre Channel 02m Optical Cable

www.Compaq.com/golden-eggs Since: Oct - 2001

COMPAQ 12-Nov-2001 GTIDL380c
Matti.Patari@Compaq.com

ProLiant DL380 G2 and EMA12000
GOLDEN EGGS Visuals, Helsinki

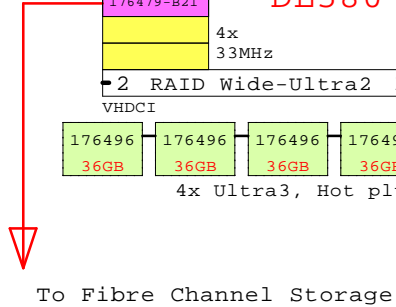
DL380 2P

Internal Options:

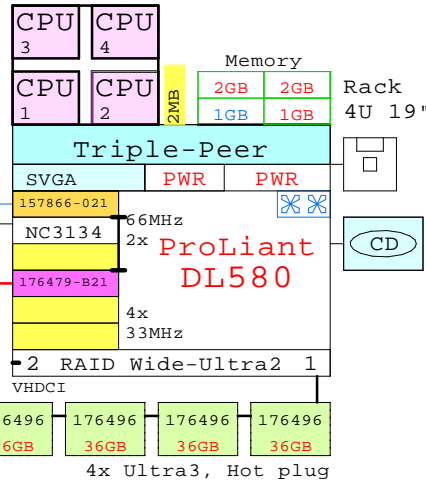
- CPU** 222627-B21
3rd, 4th CPU
- 1GB** 189081-B21
- 2GB** 189082-B21
- 4GB** 189083-B21

- 142673** 142673-B22
18GB 10k
- 188122** 188122-B22
18GB 15k
- 176496** 176496-B22
36GB 10k
- 232432** 232432-B22
72GB 10k

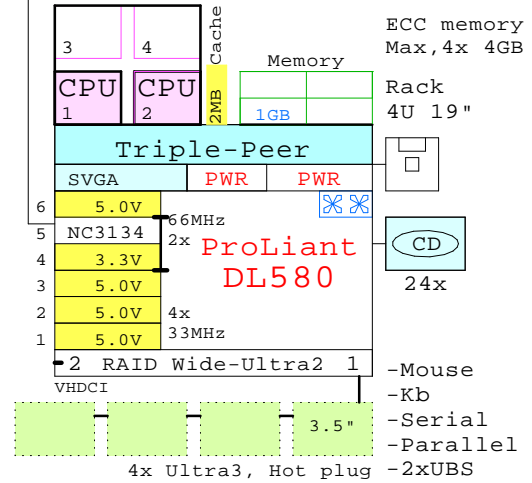
- 157866-021** 157866-021
Lights out mgr 33MHz
- 158575-B21** 158575-B21
NC7131 Gigabit 64-bit/66MHz
- 138603-B21** 138603-B21
NC3134 Ethernet, Dual 64-bit/66MHz
- 158939-B21** 158939-B21
Smart Array 5304/128 64-Bit/66MHz
- 176479-B21** 176479-B21
FibreChannel adapter 64-bit/33MHz



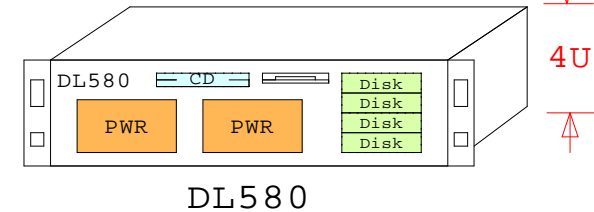
Pentium III Xeon
900MHz 2P 155618-423 EU



Pentium III Xeon
900MHz 2P 155618-423 EU



- SVGA
- 32bit/33MHz Non HP
- 64bit/66MHz Hot Plug
- 64bit/66MHz Hot Plug
- 64bit/33MHz Hot Plug
- 64bit/33MHz Hot Plug
- 64bit/33MHz Non HP



BOM of the system above

	Part Number	Qty	Description
1	155618-423	1	ProLiant DL580 2P 900MHz 1GB rack 4U
1.1	157866-021	1	CPQ Remote Insight manager kit
1.2	176479-B21	1	Host Buss Cntrl KGPSA-CB,NT only
1.3	176496-B22	4	36GB 10000r Ultra3 SCSI disk 1"
1.4	189081-B21	1	1GB PC100 CL2 ECC SDRAM (4x256MB)
1.5	189082-B21	2	2GB PC100 CL2 ECC SDRAM (4x512MB)
1.6	222627-B21	2	Pentium III Xeon 900-2MB processor kit

www.Compaq.com/golden-eggs

Since: Oct-2001

COMPAQ

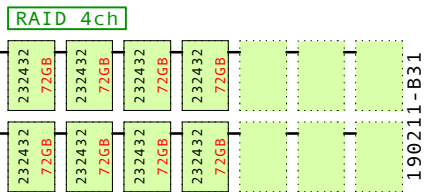
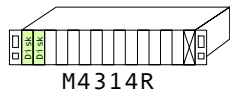
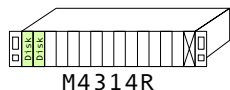
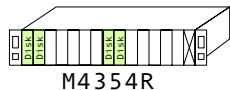
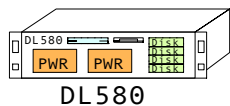
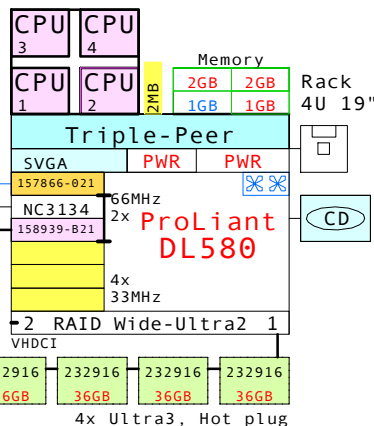
04-Jan-2002 GEIDL580a
Matti.Patari@compaq.com

ProLiant DL580 2PIII X900 2M
GOLDEN EGGS Visuals, Helsinki

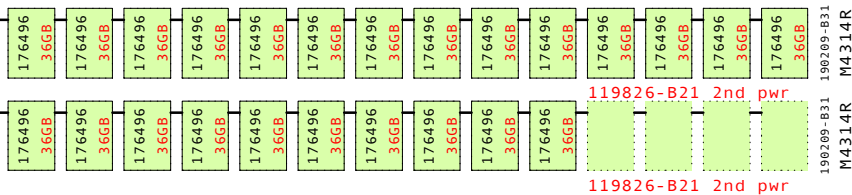
DL580 4P

Compaq ProLiant DL580 2P

Pentium III Xeon
900MHz 155618-423



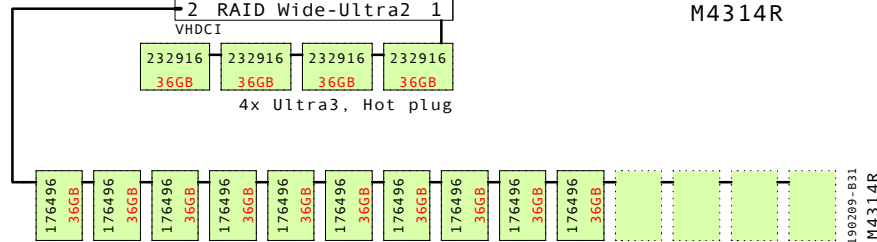
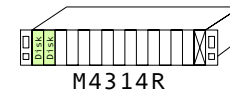
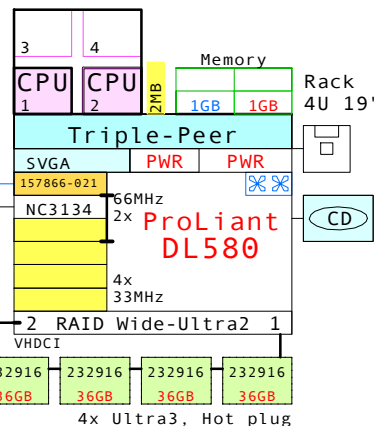
SCSI cables VHDCI - VHDCI
12ft included in M43xx



Bill of material

Part Number	Qty	Description
1	155618-423	1 ProLiant DL580 2P 900MHz 1GB rack 4U
1.1	157866-021	1 CPQ Remote Insight manager kit
1.2	158939-B21	1 Smart Array 5304/128MB_Ultra3 4-chan
1.3	189081-B21	1 1GB PC100 CL2 ECC SDRAM (4x256MB)
1.4	189082-B21	2 2GB PC100 CL2 ECC SDRAM (4x512MB)
1.5	222627-B21	2 Pentium III Xeon 900-2MB processor kit
1.6	232916-B22	4 36GB 15000r Ultra3 SCSI disk 1"
2	190209-B31	1 Modula M4314R single buss,14x 1.0"
2.1	176496-B22	10 36GB 10000r Ultra3 SCSI disk 1"
3	190209-B31	1 Modula M4314R single buss,14x 1.0"
3.1	176496-B22	14 36GB 10000r Ultra3 SCSI disk 1"
4	190211-B31	1 Modula M4354R dual buss, 7+7, 1.0"
4.1	232432-B22	8 72.8GB 10000r Ultra3 SCSI disk 1"
5	119826-B21	2 Modula M42/314R 2nd power supply

Pentium III Xeon
900MHz 155618-423



SCSI cable VHDCI - VHDCI
12ft included in M43xx

Bill of material

Part Number	Qty	Description
1	155618-423	1 ProLiant DL580 2P 900MHz 1GB rack 4U
1.1	157866-021	1 CPQ Remote Insight manager kit
1.2	189081-B21	1 1GB PC100 CL2 ECC SDRAM (4x256MB)
1.3	232916-B22	4 36GB 15000r Ultra3 SCSI disk 1"
2	190209-B31	1 Modula M4314R single buss,14x 1.0"
2.1	176496-B22	10 36GB 10000r Ultra3 SCSI disk 1"
3	119826-B21	2 Modula M42/314R 2nd power supply

www.Compaq.com/golden-eggs

Since:Oct-2001

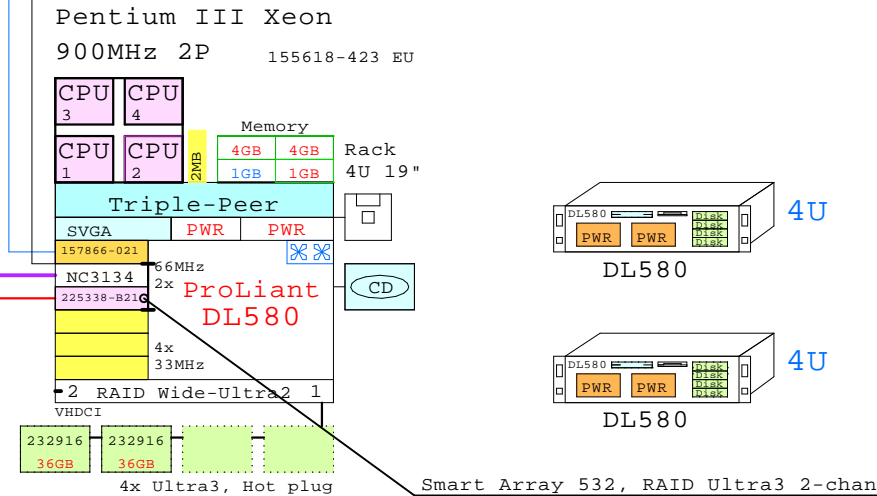
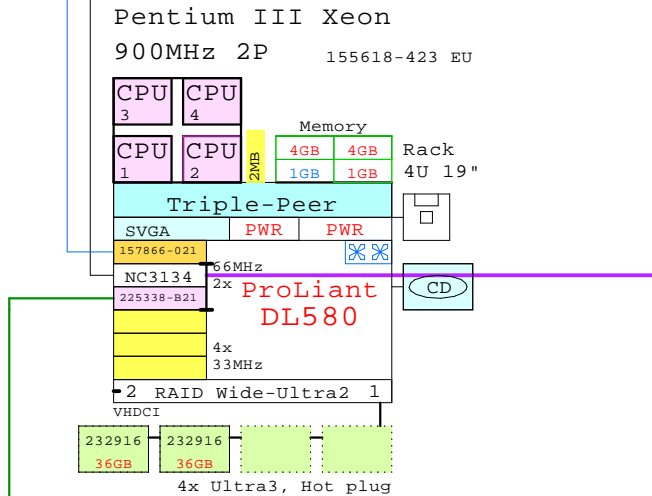


12-Nov-2001 GTIDL580a
Matti.Patari@Compaq.com

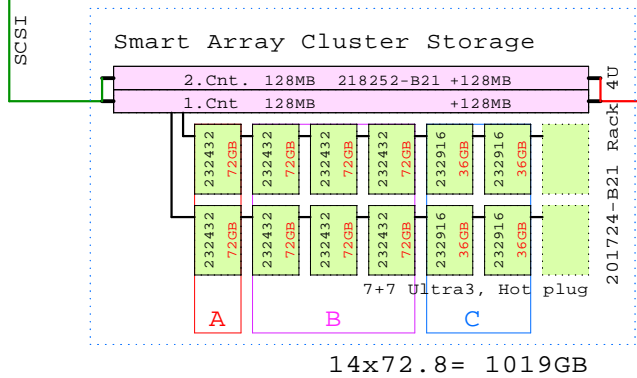
ProLiant DL580 2P Entry System
GOLDEN EGGS Visuals, Helsinki

DL580 4P

Compaq ProLiant DL580 4P

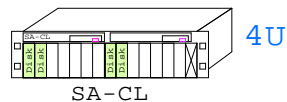


Smart Array Cluster Storage



BOM of this Cluster

	Part Number	Qty	Description
1	155618-423	1	ProLiant DL580 2P 900MHz 1GB rack 4U
1.1	157866-021	1	CPQ Remote Insight manager kit
1.2	189081-B21	1	1GB PC100 CL2 ECC SDRAM (4x256MB)
1.3	189083-B21	2	4GB PC100 CL2 ECC SDRAM (4x1GB)
1.4	222627-B21	2	Pentium III Xeon 900-2MB processor kit
1.5	225338-B21	1	Smart Array 532, RAID Ultra3 2-chan
1.6	232916-B22	2	36GB 15000r Ultra3 SCSI disk 1"
2	155618-423	1	ProLiant DL580 2P 900MHz 1GB rack 4U
2.1	157866-021	1	CPQ Remote Insight manager kit
2.2	189081-B21	1	1GB PC100 CL2 ECC SDRAM (4x256MB)
2.3	189083-B21	2	4GB PC100 CL2 ECC SDRAM (4x1GB)
2.4	222627-B21	2	Pentium III Xeon 900-2MB processor kit
2.5	225338-B21	1	Smart Array 532, RAID Ultra3 2-chan
2.6	232916-B22	2	36GB 15000r Ultra3 SCSI disk 1"
3	201724-B21	1	Smart Array Cluster 128MB Rack 4U
3.1	153506-B21	1	128MB Battery Backed Cache Upgrade
3.2	218252-B21	1	Smart Array Cluster Cntrl 2nd 128MB
3.2.1	153506-B21	1	128MB Battery Backed Cache Upgrade
3.3	232432-B22	8	72.8GB 10000r Ultra3 SCSI disk 1"
3.4	232916-B22	4	36GB 15000r Ultra3 SCSI disk 1"



www.Compaq.com/golden-eggs





Since:Feb-2002

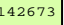
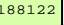
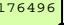
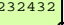
COMPAQ	14-Feb-2002	GTIDL580b0
	Matti.Patari@Compaq.com	

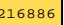
ProLiant DL580 2P SA-Cluster
GOLDEN EGGS Visuals, Helsinki

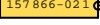

DL580 4P

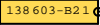
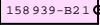
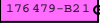
Internal Options:

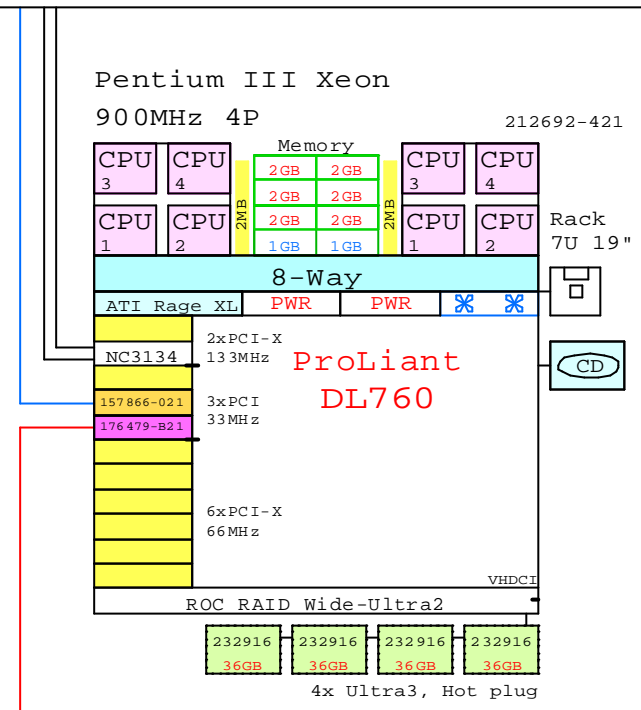
-  **177666-B21**
3rd - 8th CPU
-  **328807-B21**
-  **328808-B21**
-  **328809-B21**

-  **142673-B22**
10k
-  **188122-B22**
15k
-  **176496-B22**
10k
-  **232432-B22**
10k

-  **216886-B21**
35/70GB Hot Plug

-  **157866-021**
Lights out mgr
33MHz
-  **158575-B21**
NC7131 Gigabit
64-bit/66MHz

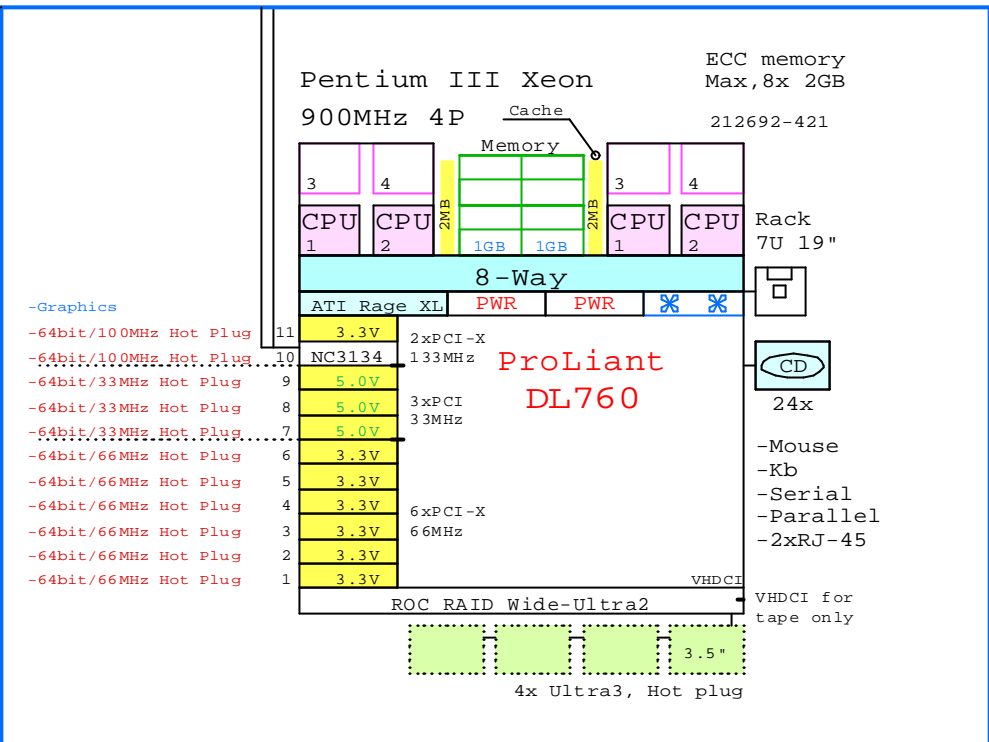
-  **138603-B21**
NC3134 Ethernet, Dual
64-bit/66MHz
-  **158939-B21**
Smart Array 5304/128
64-Bit/66MHz
-  **176479-B21**
FibreChannel adapter
64-bit/33MHz



To Fibre Channel Storage

BOM of the system above

Part Number	Qty	Description
212692-421	1	ProLiant DL760 4P 900MHz 2GB rack 7U
1.1	1	157866-021 CPQ Remote Insight manager kit
1.2	1	176479-B21 Host Buss Cntrl KGPSA-CB,NT only
1.3	4	177666-B21 Pentium III Xeon 900-2MB processor kit
1.4	4	232916-B22 36GB 15000r Ultra3 SCSI disk 1"
1.5	6	328809-B21 2GB 100MHz ECC SDRAM DIMM(2x1.024MB)



DL760

Space for:
2xDisk or
1xTape

www.Compaq.com/golden-eggs

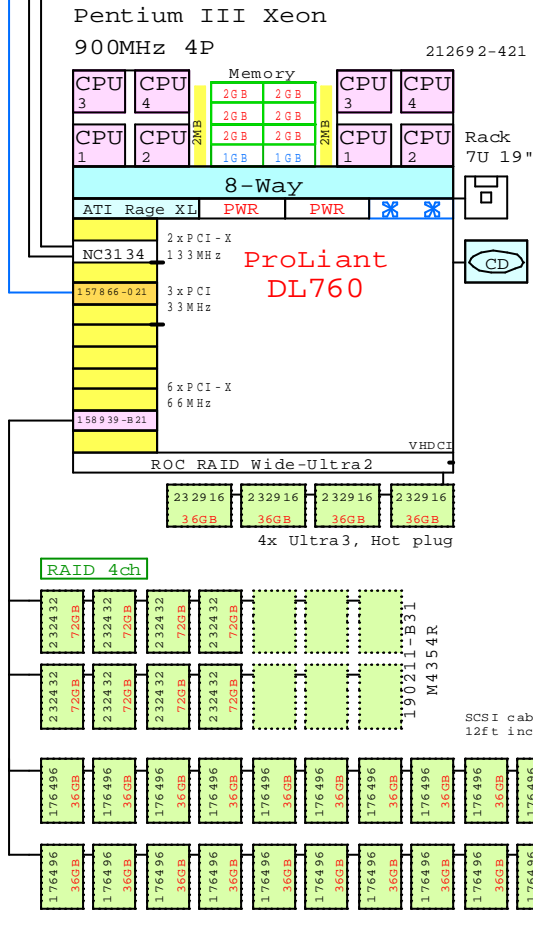
Since: Nov-2001

COMPAQ	28-Nov-2001	GEIDL760a
	Matti.Patari@compaq.com	

DL760 8P

ProLiant DL760 4P PIII X900 2M
GOLDEN EGGS Visuals, Helsinki

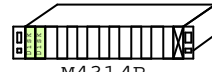
Compaq ProLiant DL760 8P



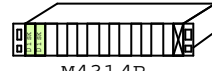
DL760



M4354R



M4314R

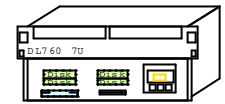
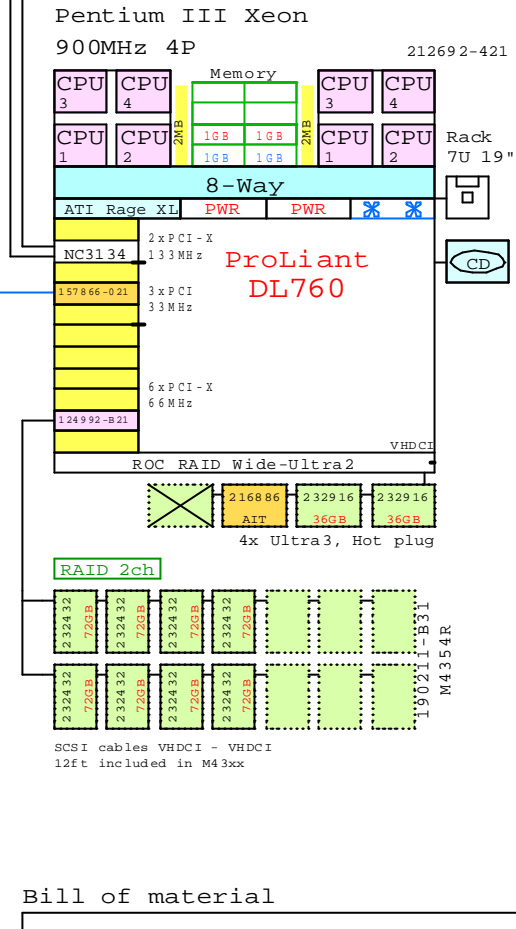


M4314R

SCSI cables VHDCI - VHDCI
12ft included in M43xx

Bill of material

Part Number	Qty	Description
1	1	212692-421 1 ProLiant DL760 4P 900MHz 2GB rack 7U
1.1	1	157866-021 1 CPQ Remote Insight manager kit
1.2	1	158939-B21 1 Smart Array 5304/128MB,Ultra3 4-chan
1.3	4	177666-B21 4 Pentium III Xeon 900-2MB processor kit
1.4	4	232916-B22 4 36GB 15000r Ultra3 SCSI disk 1"
1.5	6	328809-B21 6 2GB 100MHz ECC SDRAM DIMM(2x1024MB)
2	1	190209-B31 1 Modula M4314R single buss,14x 1.0"
2.1	10	176496-B22 10 36GB 10000r Ultra3 SCSI disk 1"
3	1	190209-B31 1 Modula M4314R single buss,14x 1.0"
3.1	14	176496-B22 14 36GB 10000r Ultra3 SCSI disk 1"
4	1	190211-B31 1 Modula M4354R dual buss, 7+7, 1.0"
4.1	8	232432-B22 8 72.8GB 10000r Ultra3 SCSI disk 1"
5	2	119826-B21 2 Modula M42/314R 2nd power supply



DL760



M4354R

Bill of material

Part Number	Qty	Description
1	1	212692-421 1 ProLiant DL760 4P 900MHz 2GB rack 7U
1.1	1	124992-B21 1 Smart Array 5302/64MB,Ultra3 2-chan
1.2	1	157866-021 1 CPQ Remote Insight manager kit
1.3	4	177666-B21 4 Pentium III Xeon 900-2MB processor kit
1.4	1	216886-B21 1 35/70GB Hot plug AIT tape drive
1.5	2	232916-B22 2 36GB 15000r Ultra3 SCSI disk 1"
1.6	2	328808-B21 2 1GB 100MHz ECC SDRAM DIMM(2x512MB)
2	1	190211-B31 1 Modula M4354R dual buss, 7+7, 1.0"
2.1	8	232432-B22 8 72.8GB 10000r Ultra3 SCSI disk 1"

www.Compaq.com/golden-eggs

Since:Nov-2001

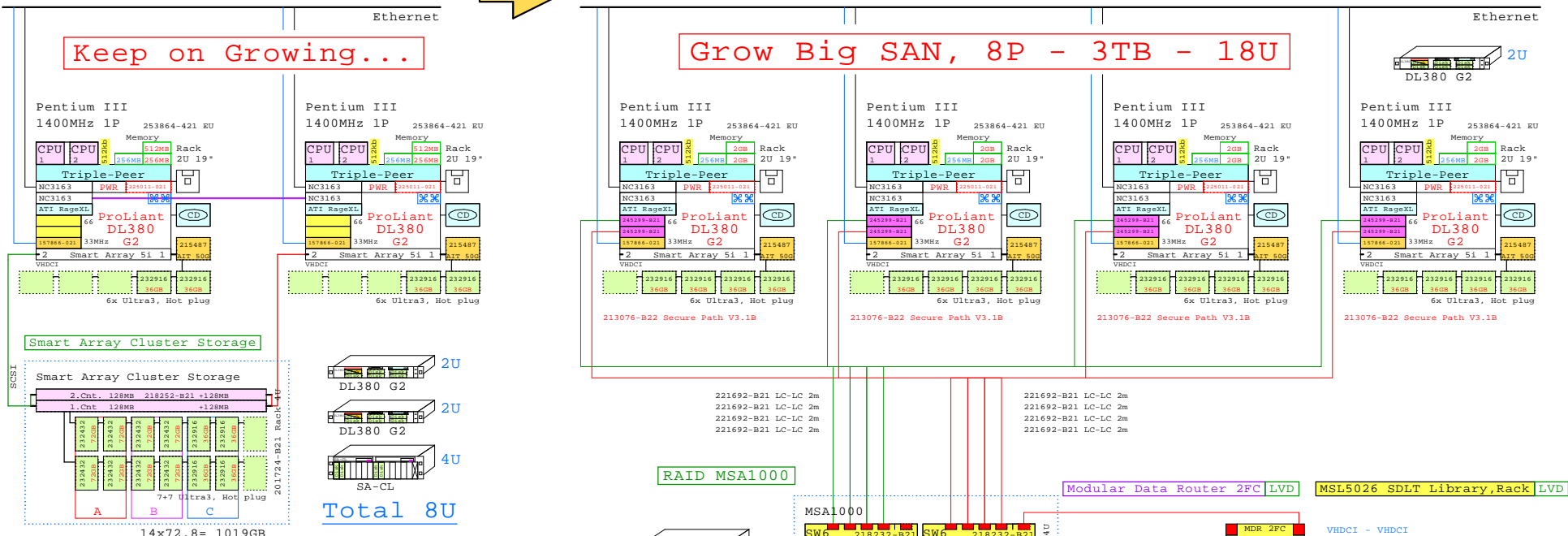
COMPAQ	28-Nov-2001	GTIDL760a
	Matti.Patari@Compaq.com	

ProLiant DL760 4P Entry System
GOLDEN EGGS Visuals, Helsinki

DL760 8P

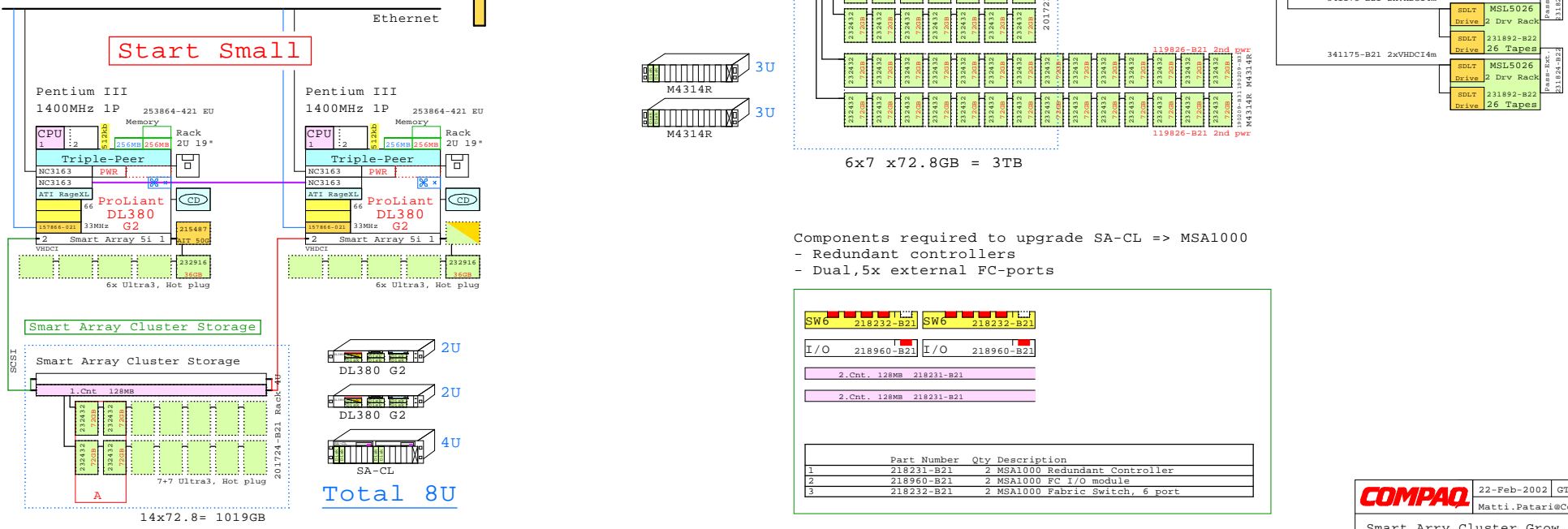
Keep on Growing...

Grow Big SAN, 8P - 3TB - 18U

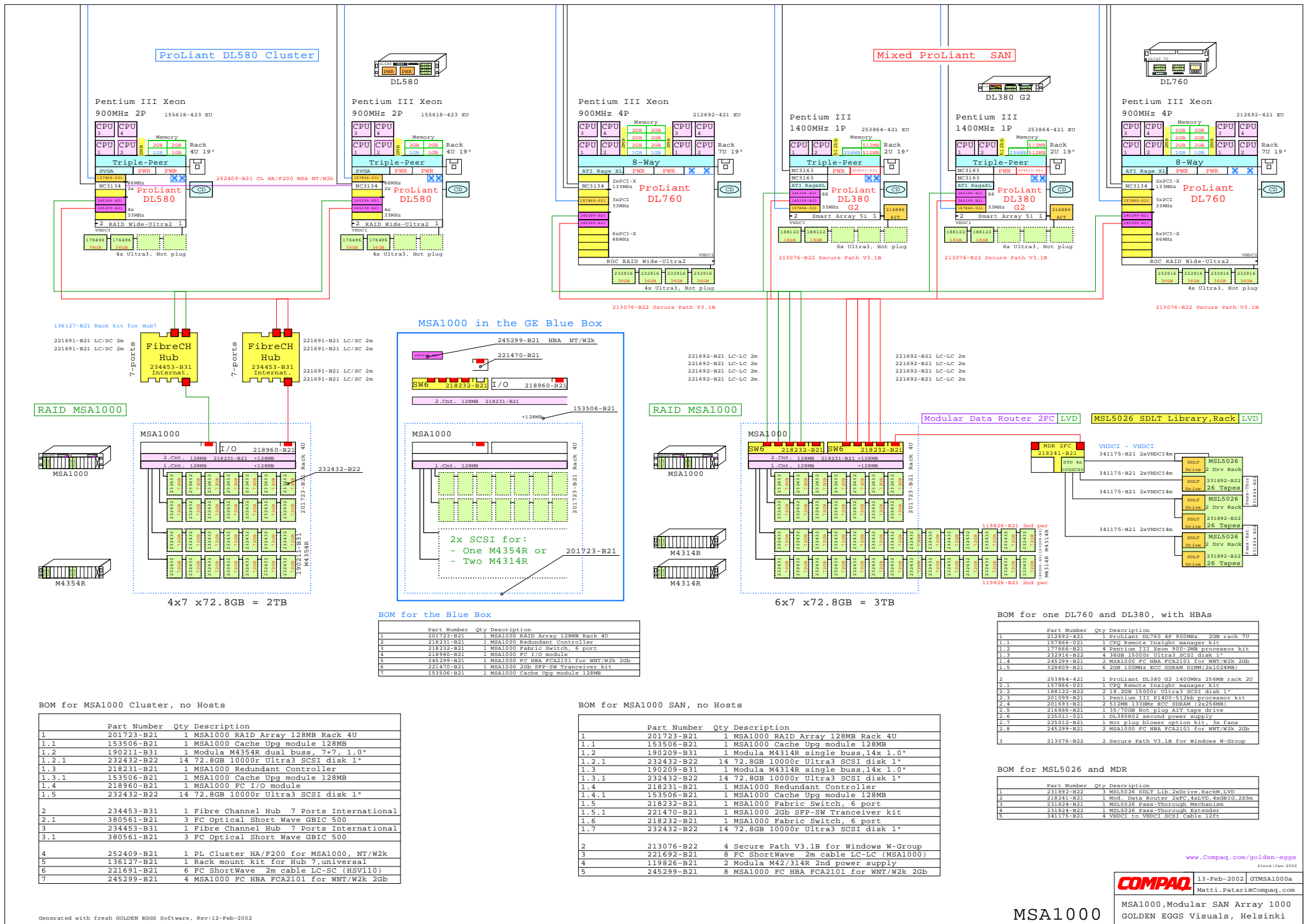


Start Small

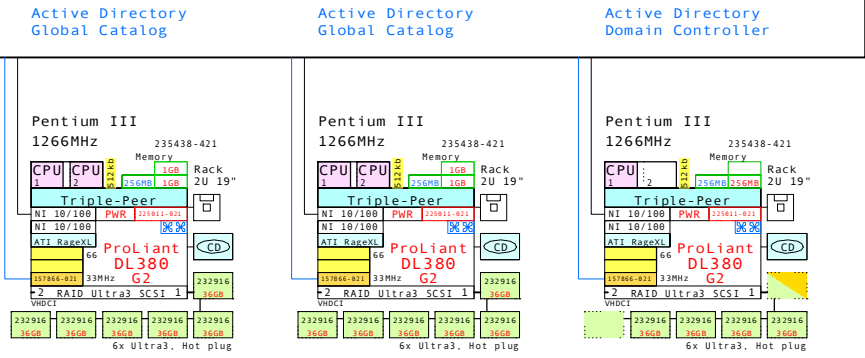
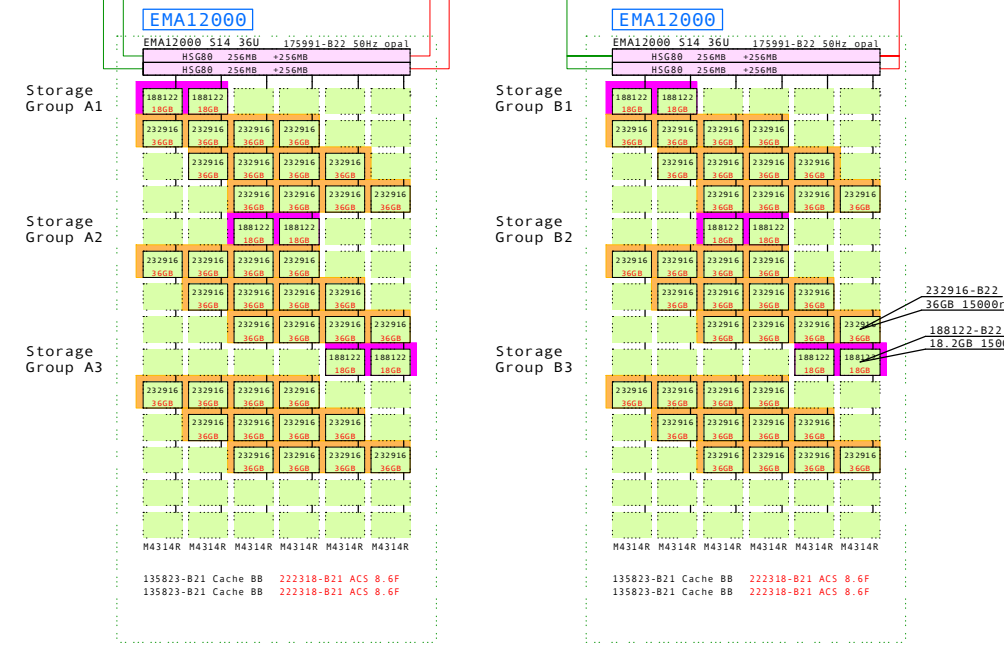
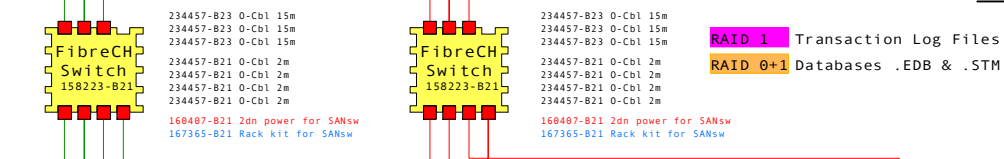
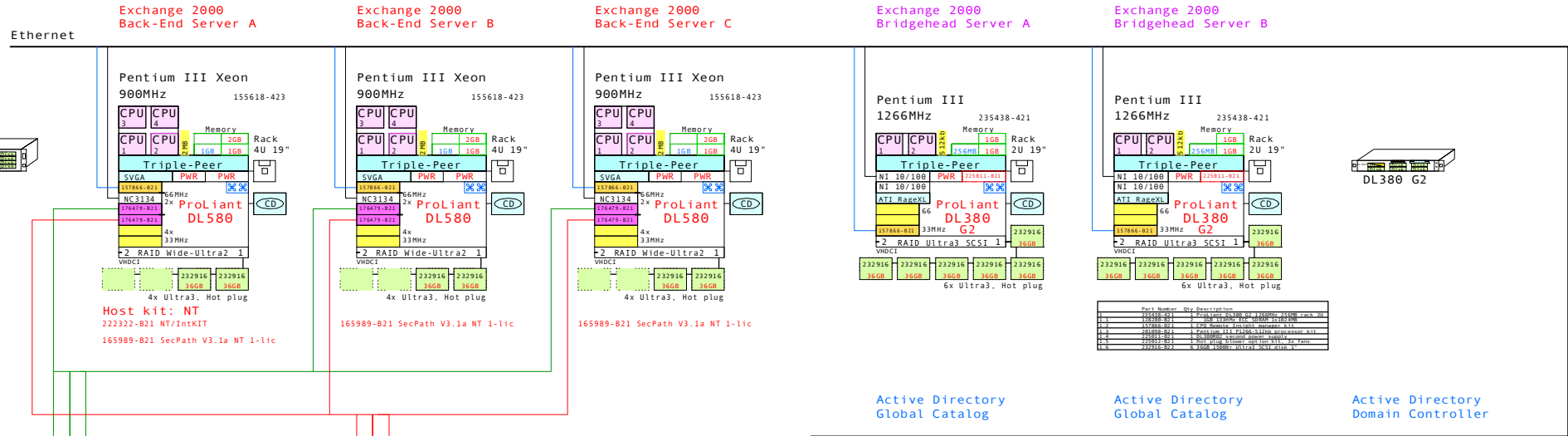
Components required to upgrade SA-CL => MSA1000
 - Redundant controllers
 - Dual, 5x external FC-ports



SW6	218232-B21	SW6	218232-B21												
I/O	218960-B21	I/O	218960-B21												
2.Cnt. 128MB 218231-B21		2.Cnt. 128MB 218231-B21													
<table border="1"> <thead> <tr> <th>Part Number</th> <th>Qty</th> <th>Description</th> </tr> </thead> <tbody> <tr> <td>218231-B21</td> <td>2</td> <td>MSA1000 Redundant Controller</td> </tr> <tr> <td>218960-B21</td> <td>2</td> <td>MSA1000 FC I/O module</td> </tr> <tr> <td>218232-B21</td> <td>2</td> <td>MSA1000 Fabric Switch, 6 port</td> </tr> </tbody> </table>				Part Number	Qty	Description	218231-B21	2	MSA1000 Redundant Controller	218960-B21	2	MSA1000 FC I/O module	218232-B21	2	MSA1000 Fabric Switch, 6 port
Part Number	Qty	Description													
218231-B21	2	MSA1000 Redundant Controller													
218960-B21	2	MSA1000 FC I/O module													
218232-B21	2	MSA1000 Fabric Switch, 6 port													

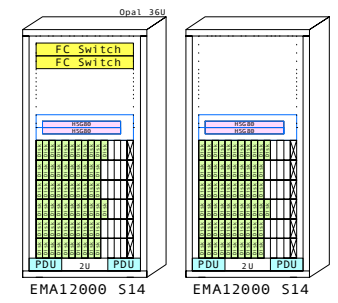


Exchange 2000



BOM of Domain Controller

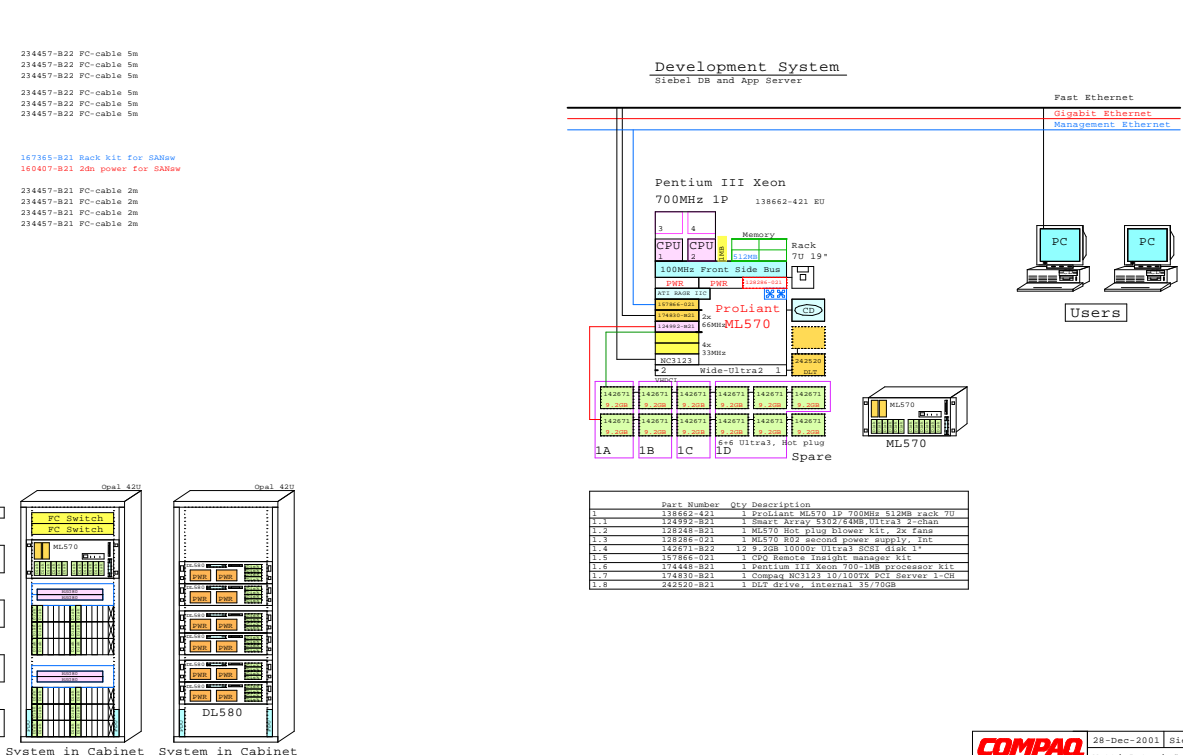
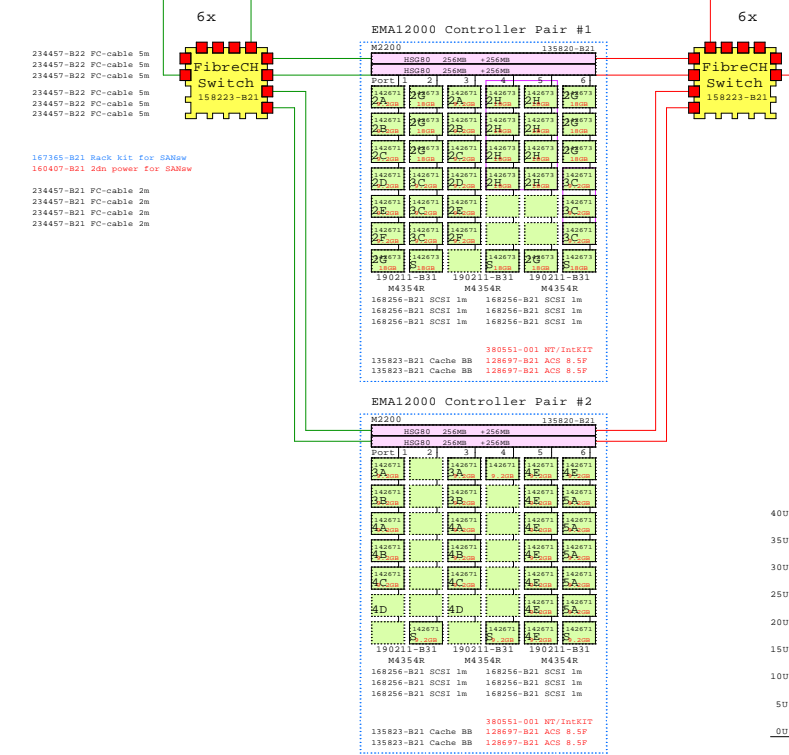
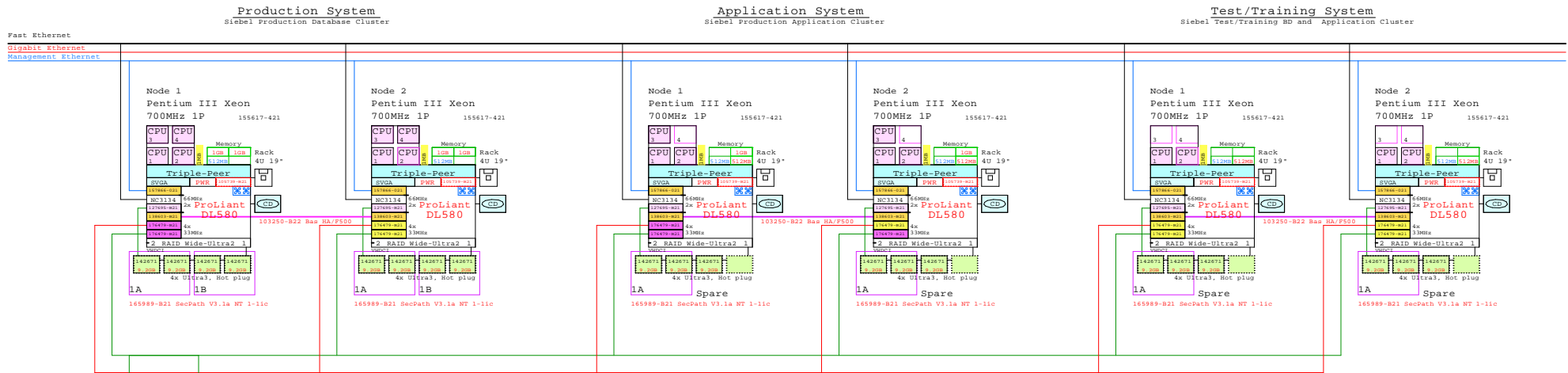
Part Number	Qty	Description
235438-421	1	ProLiant DL380 G2 1266MHz 356MB rack 2U
157866-021	1	CPQ Remote insight manager kit
201692-B21	1	256MB 333MHz ECC SDRAM (2x128MB)
225911-021	1	DL380G2 second power supply
225812-B21	1	Hot plug blower option kit 3x fans
232916-B22	4	36GB 15000r Ultra3 SCSI disk 1"



GTEXCHANGE C
www.Compaq.com/golden-eggs
Since Nov-2001

COMPAQ 14-Nov-2001
Matt.I.Patari@Compaq.com

Siebel Call Center 6.x for 500 users



AlphaServer DS10L 67/600 Systems

Server systems, 64bits 600MHz

Memory	Tru64 UNIX	OpenVMS	Linux ready
256MB	DA-71BAA-DA	DY-71BAA-DA	DJ-71BAA-DA
512MB	DA-71BAA-EA	DY-71BAA-EA	DJ-71BAA-EA
1GB	DA-71BAA-FA	DY-71BAA-FA	DJ-71BAA-FA

Disk storage

IDE Disk	IDE
3X-RE56A-BA	10GB 7200r IDE drive
3X-RE57A-BA	30GB 7200r IDE drive
3X-BN51A-IB	One drop IDE cable, 1-2x
SCSI Disk	SCSI
DS-RZ1DD-WA	9.1GB 10k Ultra3 drive
DS-RZ3EF-WA	18GB 10k Ultra3 drive
DS-RZ3FD-WA	36GB 10k Ultra3 drive
3X-BN50A-05	One drop SCSI cable, 0-1x
3X-BN50A-02	Two drop SCSI cable, 0-1x

KZPBA-CA	UltraSCSI SE adapter
KZPAC-AA	UltraSCSI RAID adapter
3X-DEPVZ-AA	1 Ultra2, 2D Grap, Ether.
3X-DEPVD-AA	Permedia P2, Ethernet

Load device

3X-PBXRY-AA	CD and Diskette combo
-------------	-----------------------

Cabinet shelf kits

3X-PBX01-BE	Rack kit Single
3X-PBX01-BD	Rack kit Quad

Memory swap, max memory =1GB

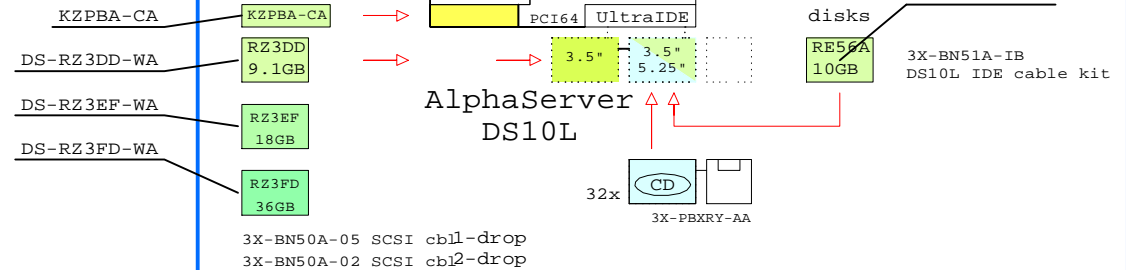
3X-MS310-DA	512MB
3X-MS310-EA	1GB

Power cords

BN19C-2E	Europe
BN19A-2E	GB
BN19E-2E	CH
BN19K-2E	DK
BN19M-2E	I

SN-PBQWS-WA	Compaq mouse
-------------	--------------

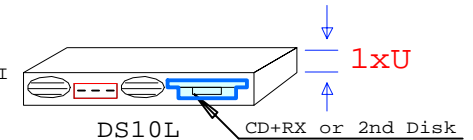
Generated with fresh GOLDEN EGGS Software, Rev:20-Sep-2000



- Mouse
- Kb
- Com1
- Com2
- Parallel
- RMC

Mandatory options:

- System Disk, IDE or SCSI
- Drop cable



Licenses included:

- Tru64 UNIX V4.0F, Base license, 2-user Base license, Server Extension license, and Internet Access Software license and Netscape's Enterprise Server.

OpenVMS V7.2-1, Base license and DIGITAL Enterprise Integration Package.

	@600MHz	@466MHz
SPECint95	35	24
SPECfp95	56	47

Software Processor Code: E

COMPAQ	19-Dec-2000	GEADS10L2
	Matti.Patari@compaq.com	

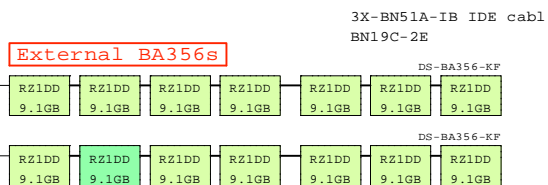
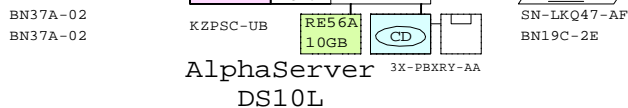
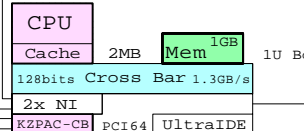
AlphaServer DS10L 600MHz Syst.
GOLDEN EGGS Visuals, Helsinki

Since: Oct-2000 www.Compaq.com/golden-eggs **DS10L**

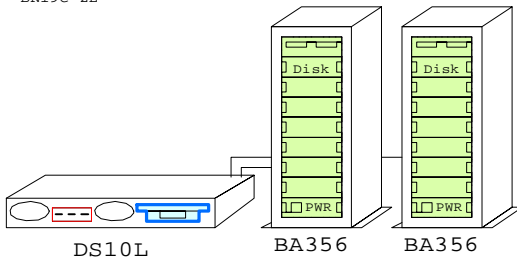
Ethernet
Ethernet

DS10L UNIX with External SCSI RAID

Tru64 UNIX
600MHz EV67

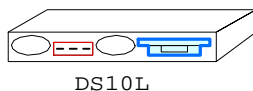
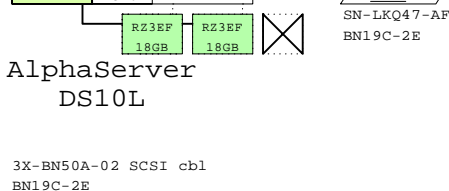
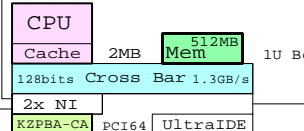


BN19C-2E
BN19C-2E



DS10L UNIX, SCSI, One-box

Tru64 UNIX
600MHz EV67

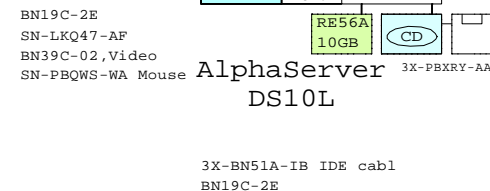
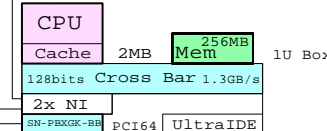


Bill of material

	Part Number	Qty	Description
	DA-71BAA-EA	1	AS DS10L 67/600 512MB UNIX
1	DA-71BAA-EA	1	AS DS10L 67/600 512MB UNIX
1.1	DS-RZ3EF-WA	2	18.2GB 10krRPM Ultra3 SCSI Disk
1.2	KZPBA-CA	1	PCI to UltraSCSI Adapter UWSE
2	VT510-A4	1	Text Terminal WH Intl No-hemi
3	3X-BN50A-02	1	Two drop SCSI cable, LED
4	SN-LKQ47-AF	1	102 KEY KYBD, NON-WIN, Finnish
5	BN19C-2E	2	PowerCable 240V, C-Europe

DS10L UNIX, IDE, One-box

Tru64 UNIX
600MHz EV67



Bill of material

	Part Number	Qty	Description
	DA-71BAA-DA	1	AS DS10L 67/600 256MB UNIX
1	DA-71BAA-DA	1	AS DS10L 67/600 256MB UNIX
1.1	3X-PBXRY-AA	1	Diskette/ 24x CD-ROM Combo
1.2	3X-RE56A-BA	1	DS10 10GB 7200 IDE-disk drive 1"
1.3	SN-PBXGK-BB	1	Elsa Gloria Synergy 8M Video Graphics
2	3R-VRQV5-24	1	COMPAQ V55 CLR MON,NH,TCO95
3	3X-BN51A-IB	1	One drop DS10L IDE cable
4	SN-PBQWS-WA	1	Standard Compaq opal mouse
5	BN39C-02	1	1.8 Video Extension Cable ****
6	SN-LKQ47-AF	1	102 KEY KYBD, NON-WIN, Finnish
7	BN19C-2E	2	PowerCable 240V, C-Europe

www.Compaq.com/golden-eggs
Since:Oct-2000

Bill of material

	Part Number	Qty	Description
	DA-71BAA-FA	1	AS DS10L 67/600 1GB UNIX
1	DA-71BAA-FA	1	AS DS10L 67/600 1GB UNIX
1.1	3X-PBXRY-AA	1	Diskette/ 24x CD-ROM Combo
1.2	3X-RE56A-BA	1	DS10 10GB 7200 IDE-disk drive 1"
1.3	KZPAC-CB	1	3 Chan. SCSI RAID 8MB UltraW
1.4	KZPSC-UB	1	Battery Backup for KZPSC
2	DS-BA356-KF	1	Pedestal Storage, UltraW, Single-Bus
2.1	DS-RZ1DD-VW	7	9.1GB 10000r UltraSCSI disk
3	DS-BA356-KF	1	Pedestal Storage, UltraW, Single-Bus
3.1	DS-RZ1DD-VW	7	9.1GB 10000r UltraSCSI disk
4	VT510-A4	1	Text Terminal WH Intl No-hemi
5	3X-BN51A-IB	1	One drop DS10L IDE cable
6	SN-LKQ47-AF	1	102 KEY KYBD, NON-WIN, Finnish
7	BN19C-2E	4	PowerCable 240V, C-Europe
8	BN37A-02	2	Ultra Cbl VHDCI - VHDCI

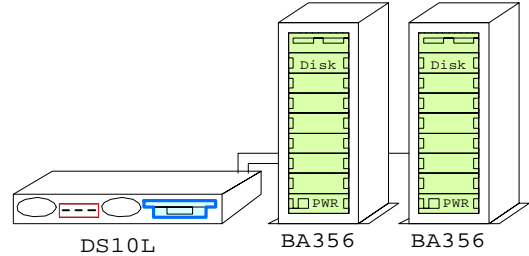
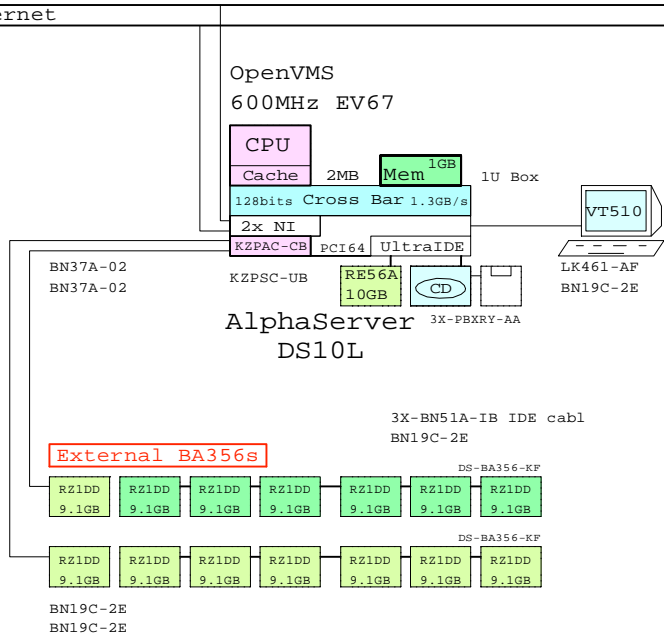
This template is included in the present GOLDEN EGGS Software kit.

DS10L UNIX

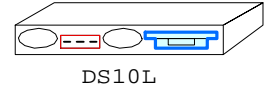
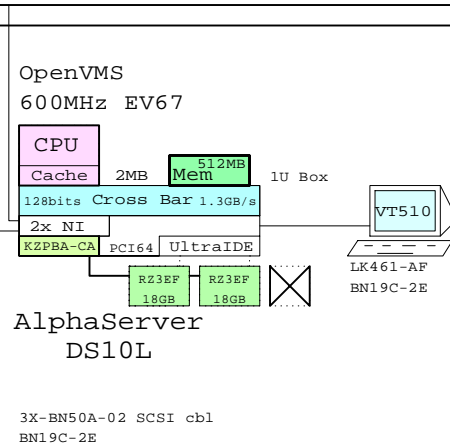
COMPAQ	06-Feb-2001	GTAUDS10L3
	Matti.Patari@Compaq.com	
AlphaServer DS10L UNIX systems		
GOLDEN EGGS Visuals, Helsinki		

Ethernet
Ethernet

DS10L OpenVMS with External SCSI RAID



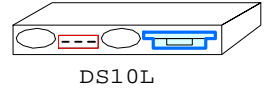
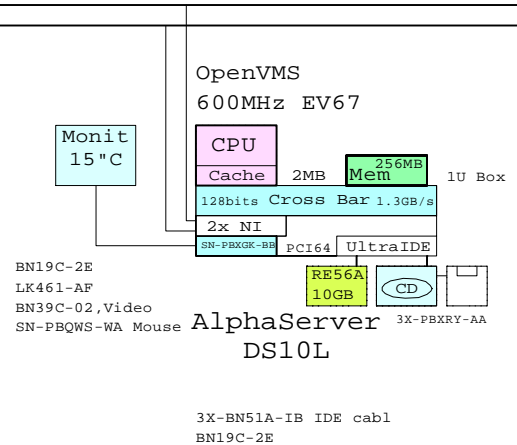
DS10L OpenVMS, SCSI, One-box



Bill of material

Part Number	Qty	Description
DY-71BAA-EA	1	AS DS10L 67/600 512MB OpenVMS
DS-RZ3EF-WA	2	18.2GB 10krRPM Ultra3 SCSI Disk
KZPBA-CA	1	PCI to UltraSCSI Adapter UWSE
VT510-A4	1	Text Terminal WH Intl No-hemi
3X-BN50A-02	1	Two drop SCSI cable, LED
BN19C-2E	2	PowerCable 240V, C-Europe
LK461-AF	1	VMS STYLE KEYBOARD, Fin/Swed

DS10L OpenVMS, IDE, One-box



Bill of material

Part Number	Qty	Description
DY-71BAA-DA	1	AS DS10L 67/600 256MB OpenVMS
3X-PBXRY-AA	1	Diskette/ 24x CD-ROM Combo
3X-RE56A-BA	1	DS10 10GB 7200 IDE-disk drive 1"
SN-PBXGK-BB	1	Elsa Gloria Synergy 8M Video Graphics
3R-VRQV5-24	1	COMPAQ V55 CLR MON,NH,TCO95
3X-BN51A-IB	1	One drop DS10L IDE cable
SN-PBQWS-WA	1	Standard Compaq opal mouse
BN39C-02	1	1.8 Video Extension Cable ****
BN19C-2E	2	PowerCable 240V, C-Europe
LK461-AF	1	VMS STYLE KEYBOARD, Fin/Swed

www.Compaq.com/golden-eggs
Since:Oct-2000

Bill of material

Part Number	Qty	Description
DY-71BAA-FA	1	AS DS10L 67/600 1GB OpenVMS
3X-PBXRY-AA	1	Diskette/ 24x CD-ROM Combo
3X-RE56A-BA	1	DS10 10GB 7200 IDE-disk drive 1"
KZPAC-CB	1	3 Chan. SCSI RAID 8MB UltraW
KZPSC-UB	1	Battery Backup for KZPSC
DS-BA356-KF	1	Pedestal Storage, UltraW, Single-Bus
DS-RZ1DD-VW	7	9.1GB 10000r UltraSCSI disk
DS-BA356-KF	1	Pedestal Storage, UltraW, Single-Bus
DS-RZ1DD-VW	7	9.1GB 10000r UltraSCSI disk
VT510-A4	1	Text Terminal WH Intl No-hemi
3X-BN51A-IB	1	One drop DS10L IDE cable
BN19C-2E	4	PowerCable 240V, C-Europe
BN37A-02	2	Ultra Cbl VHDCI - VHDCI
LK461-AF	1	VMS STYLE KEYBOARD, Fin/Swed

This template is included in the present GOLDEN EGGS Software kit.

DS10L OVMS

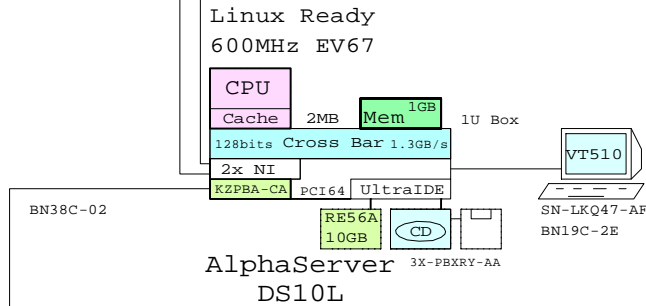
COMPAQ	06-Feb-2001	GTAVDS10L3
	Mattii.Patari@Compaq.com	
AlphaServer DS10L OVMS systems		
GOLDEN EGGS Visuals, Helsinki		

Ethernet
Ethernet

DS10L Linux with External storage

DS10L Linux, SCSI, One-box

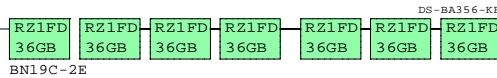
DS10L Linux, IDE, One-box



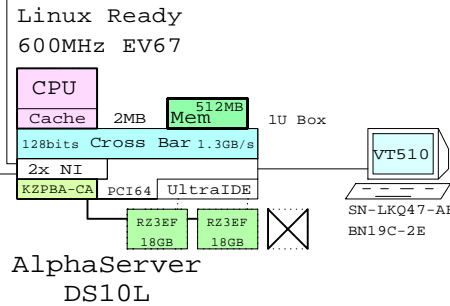
AlphaServer
DS10L

3X-BN51A-IB IDE cabl
BN19C-2E

External BA356



BN19C-2E

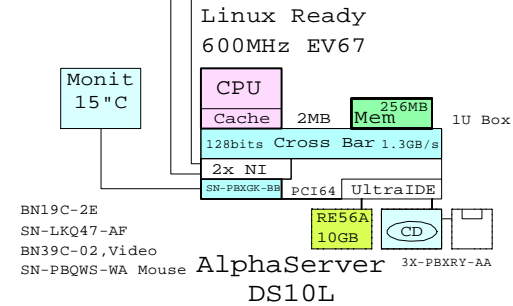


AlphaServer
DS10L

3X-BN50A-02 SCSI cbl
BN19C-2E



DS10L



AlphaServer
DS10L

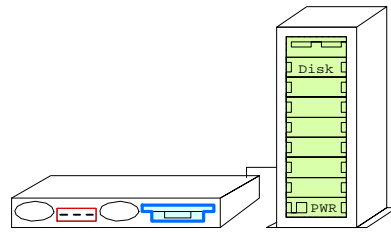
3X-BN51A-IB IDE cabl
BN19C-2E



DS10L

Bill of material

	Part Number	Qty	Description
	DJ-71BAA-EA	1	AS DS10L 67/600 512MB Linux Ready
1	DS-RZ3EF-WA	2	18.2GB 10krRPM Ultra3 SCSI Disk
1.1			
1.2	KZPBA-CA	1	PCI to UltraSCSI Adapter UWSE
2	VT510-A4	1	Text Terminal WH Intl No-hemi
3	3X-BN50A-02	1	Two drop SCSI cable, LED
4	SN-LKQ47-AF	1	102 KEY KYBD, NON-WIN, Finnish
5	BN19C-2E	2	PowerCable 240V, C-Europe



DS10L

BA356

Bill of material

	Part Number	Qty	Description
1	DJ-71BAA-FA	1	AS DS10L 67/600 1GB Linux Ready
1.1	3X-PBXRY-AA	1	Diskette/ 24x CD-ROM Combo
1.2	3X-RE56A-BA	1	DS10 10GB 7200 IDE-disk drive 1"
1.3	KZPBA-CA	1	PCI to UltraSCSI Adapter UWSE
2	DS-BA356-KF	1	Pedestal Storage, UltraW, Single-Bus
2.1	DS-RZ1FD-VW	7	36GB 10000r UltraSCSI Disk
3	VT510-A4	1	Text Terminal WH Intl No-hemi
4	3X-BN51A-IB	1	One drop DS10L IDE cable
5	SN-LKQ47-AF	1	102 KEY KYBD, NON-WIN, Finnish
6	BN19C-2E	3	PowerCable 240V, C-Europe
7	BN38C-02	1	Ultra Cbl VHDCI - 68HD

Bill of material

	Part Number	Qty	Description
1	DJ-71BAA-DA	1	AS DS10L 67/600 256MB Linux Ready
1.1	3X-PBXRY-AA	1	Diskette/ 24x CD-ROM Combo
1.2	3X-RE56A-BA	1	DS10 10GB 7200 IDE-disk drive 1"
1.3	SN-PBXGK-BB	1	Elsa Gloria Synergy 8M Video Graphics
2	3R-VRQV5-24	1	COMPAQ V55 CLR MON,NH,TCO95
3	3X-BN51A-IB	1	One drop DS10L IDE cable
4	SN-PBQWS-WA	1	Standard Compaq opal mouse
5	BN39C-02	1	1.8 Video Extension Cable ****
6	SN-LKQ47-AF	1	102 KEY KYBD, NON-WIN, Finnish
7	BN19C-2E	2	PowerCable 240V, C-Europe

www.Compaq.com/golden-eggs
Since:Oct-2000

COMPAQ	08-Nov-2000	GTALDS10L3
	Matti.Patari@Compaq.com	
AlphaServer DS10L Linux system		
GOLDEN EGGS Visuals, Helsinki		

This template is included in the present GOLDEN EGGS Software kit.

DS10L Linux

AlphaServer DS10 67/600 Systems

Order number	Operating system	Server systems, 64bits 600MHz
#1 DA-74BAA	-DA 256MB -EA 512MB -FA 1GB	Tru64 UNIX (Disk) RX,CD,NI, (Graphics)
DY-74BAA-**	OpenVMS	(Disk) RX,CD,NI, (Graphics)
DJ-74BAA-**	Linux	(Disk) RX,CD,NI, (Graphics)

#2 Select a system disk, IDE or SCSI; SCSI adapter and cable kit.

#3 SVGA color monitor #4 For 240V, select 2x power cords and one keyboard.

15" 3R-A2832-AA	SN-LK047 -AE GB -AG G -AM S	BN19C-2E Europe
17" 3R-A2261-AA	UNIX, Lin -AB B -AH NL -AN N	BN19A-2E GB
North/South	LK461 -AD DK -AI I -AP F	BN19E-2E CH
BN39C-02 2m ext.cable	OVMS -AF FI -AK CH -AS E	BN19K-2E DK
		BN19M-2E I

Internal options

Memory expansion

3X-MS310-CA	256MB	Max memory
3X-MS310-DA	512MB	
3X-MS310-EA	1GB	2x 1GB = 2GB

Internal storage

Tape storage

TLZ10-LB	12/24GB DAT SCSI tape
SN-PBXKP-BA	Wide to narrow adapt
KZPBA-CA	UltraSCSI SE adapter

Disk storage

3X-RE58A-BA	20GB IDE disk 7200
3X-RE57A-BA	30GB IDE disk 7200
3X-BN51A-SD	SCSI Cable kit
DS-RZ3EF-WA	18.2GB Ultra3 disk 10k
DS-RZ3FD-WA	36.4GB Ultra3 disk 10k
KZPAC-CB	RAID 3-port, 8MB cache
KZPSC-UB	Cache battery
3X-PBX01-AB	H9Axx Cabinet shelf kit

Adapters

SN-PBXGK-BB	ELSA Gloria Syn. 8MB
3X-DE600-AA	Ethernet 10/100
DEGPA-SA	Gigabit Ethernet
KZPBA-CB	UltraSCSI Diff, 68HD
3X-DEPVZ-AA	1 Ultra2,2D Grap,Ether.
3X-DEPVD-AA	Permedia P2, Ethernet

External options

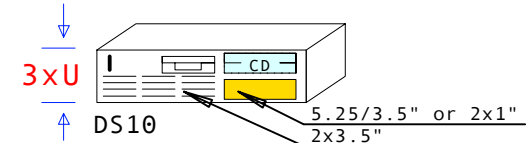
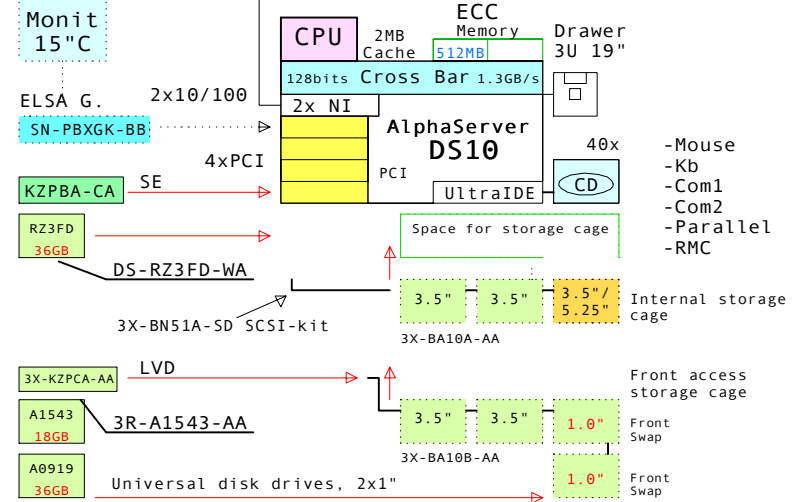
Tape storage

DS-TZ89N-TA	35/70GB DLT tape,TT
BN21K-02	SCSI cable, FWD
BN19C-2E	Power cord, Europe
KZPBA-CA	UltraSCSI SE adapter

Disk storage

DS-BA356-KF	Pedestal, single bus
DS-BA356-KG	Pedestal, split bus
BN37A-02	2m SCSI,VHDCI-VHDCI
BN19C-2E	Power cord, Europe
KZPAC-AA	RAID 1-port, 4Mbcache
DS-RZ1DD-VW	9.1GB UltraSCSI disk
DS-RZ1ED-VW	18 GB UltraSCSI disk

Recommended options



Licenses included:

- Tru64 UNIX V4.0F, Base license, Unlimited User license, Server Extension license, and Internet Access Software license and Netscape's Enterprise Server.
- OpenVMS V7.1-2, Base license and DIGITAL Enterprise Integration Package.

@600MHz

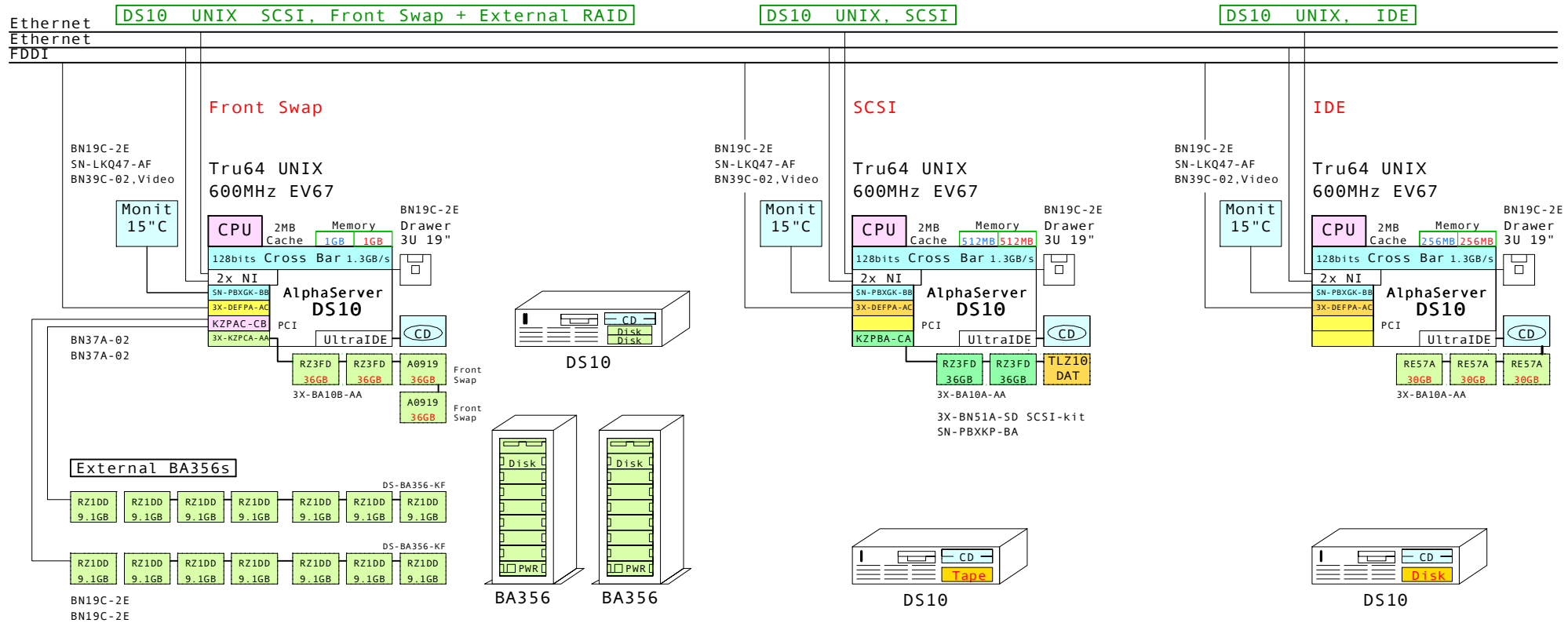
SPECint95	35
SPECfp95	56

Software Processor Code: E

COMPAQ	04-Jul-2001	GEADS103
	Matti.Patari@Compaq.com	

AlphaServer DS10 600MHz System
GOLDEN EGGS Visuals, Helsinki

DS10



Bill of material

Part Number	Qty	Description
1	1	DA-74BAA-FA 1 AS DS10 67/600 1GB UNIX swap disk
1.1	1	3X-BA10B-AA 1 DS10 Disk Drive Cage, 4xDisks
1.1.1	2	3R-A0919-AA 2 36.4GB Uscsi3 10K Universal disk 1"
1.1.2	2	DS-RZ3FD-WA 2 36.4GB 10KRPM Ultra3 SCSI Disk
1.2	1	3X-DEFPA-AC 1 PCI to FDDI SAS MMF with SC,Universal
1.3	1	3X-KZPCA-AA 1 Single channel LVD adapter
1.4	1	3X-MS310-EA 1 DS10 1GB DIMM MEM
1.5	1	BN19C-2E 1 PowerCable 240V, C-Europe
1.6	1	KZPAC-CB 1 3 Chan. SCSI RAID 8MB UltraW
1.7	1	SN-PBXGK-BB 1 Elsa Gloria Synergy 8M Video Graphics
2	1	DS-BA356-KF 1 Pedestal Storage, UltraW, Single-Bus
2.1	7	DS-RZ1DD-VW 7 9.1GB 10000r UltraSCSI disk
3	1	DS-BA356-KF 1 Pedestal Storage, UltraW, Single-Bus
3.1	7	DS-RZ1DD-VW 7 9.1GB 10000r UltraSCSI disk
4	1	3R-A2832-AA 1 COMPAQ Monitor S510 15" NH, EU
5	1	BN39C-02 1 1.8 Video Extension Cable ****
6	1	SN-LKQ47-AF 1 102 KEY KYBD, NON-WIN, Finnish
7	3	BN19C-2E 3 PowerCable 240V, C-Europe
8	2	BN37A-02 2 Ultra Cbl VHDCI - VHDCI

Bill of material

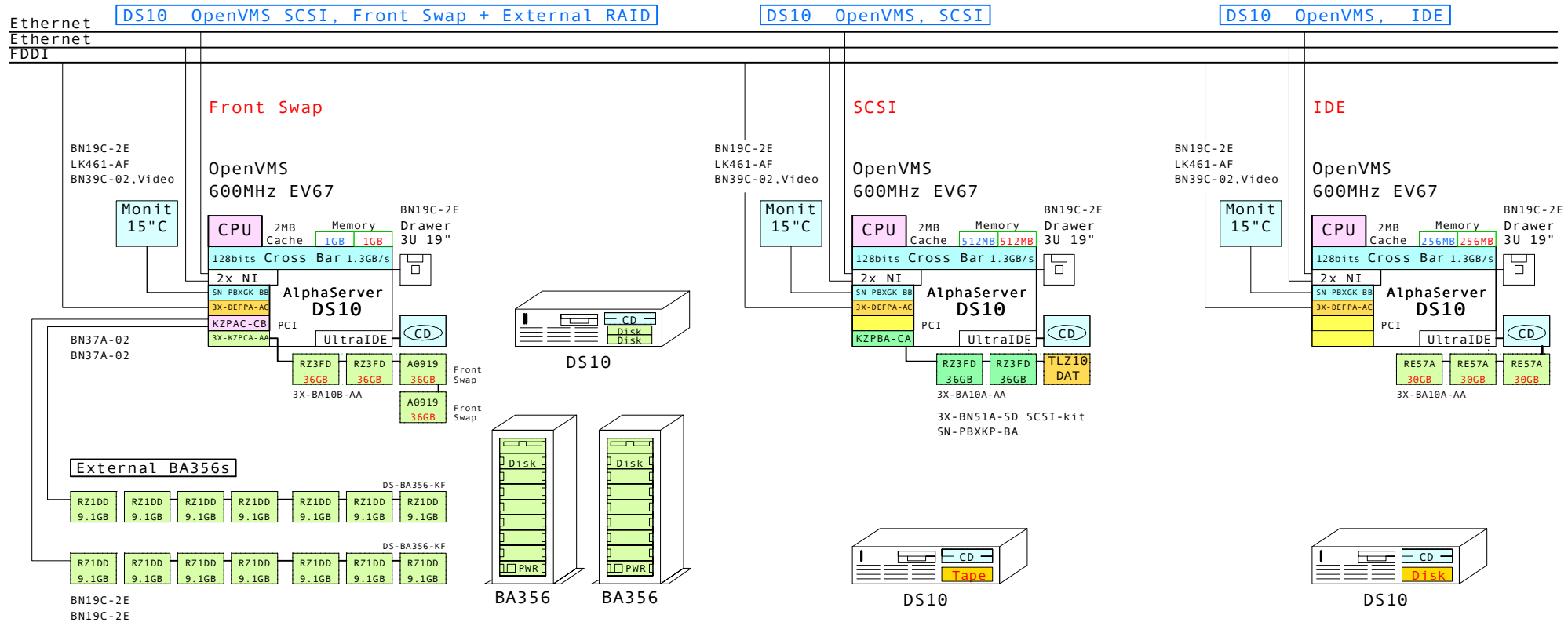
Part Number	Qty	Description
1	1	DA-74BAA-DA 1 AS DS10 67/600 256MB UNIX swap disk
1.1	1	3X-BA10A-AA 1 DS10 Disk Drive Cage, 2xDisks + Tape
1.1.1	3	3X-RE57A-BA 3 DS10 30GB 7200 IDE-disk drive 1"
1.2	1	3X-DEFPA-AC 1 PCI to FDDI SAS MMF with SC,Universal
1.3	1	3X-MS310-CA 1 DS10 256MB DIMM MEM
1.4	1	BN19C-2E 1 PowerCable 240V, C-Europe
1.5	1	SN-PBXGK-BB 1 Elsa Gloria Synergy 8M Video Graphics
2	1	3R-A2832-AA 1 COMPAQ Monitor S510 15" NH, EU
3	1	BN39C-02 1 1.8 Video Extension Cable ****
4	1	SN-LKQ47-AF 1 102 KEY KYBD, NON-WIN, Finnish
5	1	BN19C-2E 1 PowerCable 240V, C-Europe

Bill of material

Part Number	Qty	Description
1	1	DA-74BAA-EA 1 AS DS10 67/600 512MB UNIX swap disk
1.1	1	3X-BA10A-AA 1 DS10 Disk Drive Cage, 2xDisks + Tape
1.1.1	2	DS-RZ3FD-WA 2 36.4GB 10KRPM Ultra3 SCSI Disk
1.1.2	1	TLZ10-LB 1 12/24GB 4mm DAT 5.25" HH
1.2	1	3X-DEFPA-AC 1 PCI to FDDI SAS MMF with SC,Universal
1.3	1	3X-MS310-DA 1 DS10 512MB DIMM MEM
1.4	1	BN19C-2E 1 PowerCable 240V, C-Europe
1.5	1	KZPBA-CA 1 PCI to UltraSCSI Adapter WUSE
1.6	1	SN-PBXGK-BB 1 Elsa Gloria Synergy 8M Video Graphics
2	1	3R-A2832-AA 1 COMPAQ Monitor S510 15" NH, EU
3	1	3X-BN51A-SD 1 DS10/V510 SCSI Cable Kit
4	1	BN39C-02 1 1.8 Video Extension Cable ****
5	1	SN-LKQ47-AF 1 102 KEY KYBD, NON-WIN, Finnish
6	1	SN-PBXKP-BA 1 WIDE TO NARROW SCSI ADAPTER
7	1	BN19C-2E 1 PowerCable 240V, C-Europe

www.Compaq.com/golden-eggs
Since: Jul-2001

COMPAQ	04-Jul-2001	GTAUDS103
	Matti.Patari@Compaq.com	



Bill of material

Part Number	Qty	Description
1	DY-74BAA-FA	1 AS DS10 67/600 1GB OpenVMS swap disk
1.1	3X-BA10B-AA	1 DS10 Disk Drive Cage, 4xDisks
1.1.1	3R-A0919-AA	2 36.4GB Uscs13 10k Universal disk 1"
1.1.2	DS-RZ3FD-WA	2 36.4GB 10kRPM Ultra3 SCSI Disk
1.2	3X-DEFFA-AC	1 PCI to FDDI SAS MMF with SC,Universal
1.3	3X-KZPCA-AA	1 Single channel LVD adapter
1.4	3X-MS310-EA	1 DS10 1GB DIMM MEM
1.5	BN19C-2E	1 PowerCable 240V, C-Europe
1.6	KZPAC-CB	1 3 Chan. SCSI RAID 8MB UltraW
1.7	SN-PBXGK-BB	1 Elsa Gloria Synergy 8M Video Graphics
2	DS-BA356-KF	1 Pedestal Storage, UltraW, Single-Bus
2.1	DS-RZ1DD-VW	7 9.1GB 10000r UltraSCSI disk
3	DS-BA356-KF	1 Pedestal Storage, UltraW, Single-Bus
3.1	DS-RZ1DD-VW	7 9.1GB 10000r UltraSCSI disk
4	3R-A2832-AA	1 COMPAQ Monitor S510 15" NH, EU
5	BN39C-02	1 1.8 Video Extension Cable ****
6	BN19C-2E	3 PowerCable 240V, C-Europe
7	BN37A-02	2 Ultra Cbl VHDCI - VHDCI
8	LK461-AF	1 VMS STYLE KEYBOARD, Fin/Swed

Bill of material

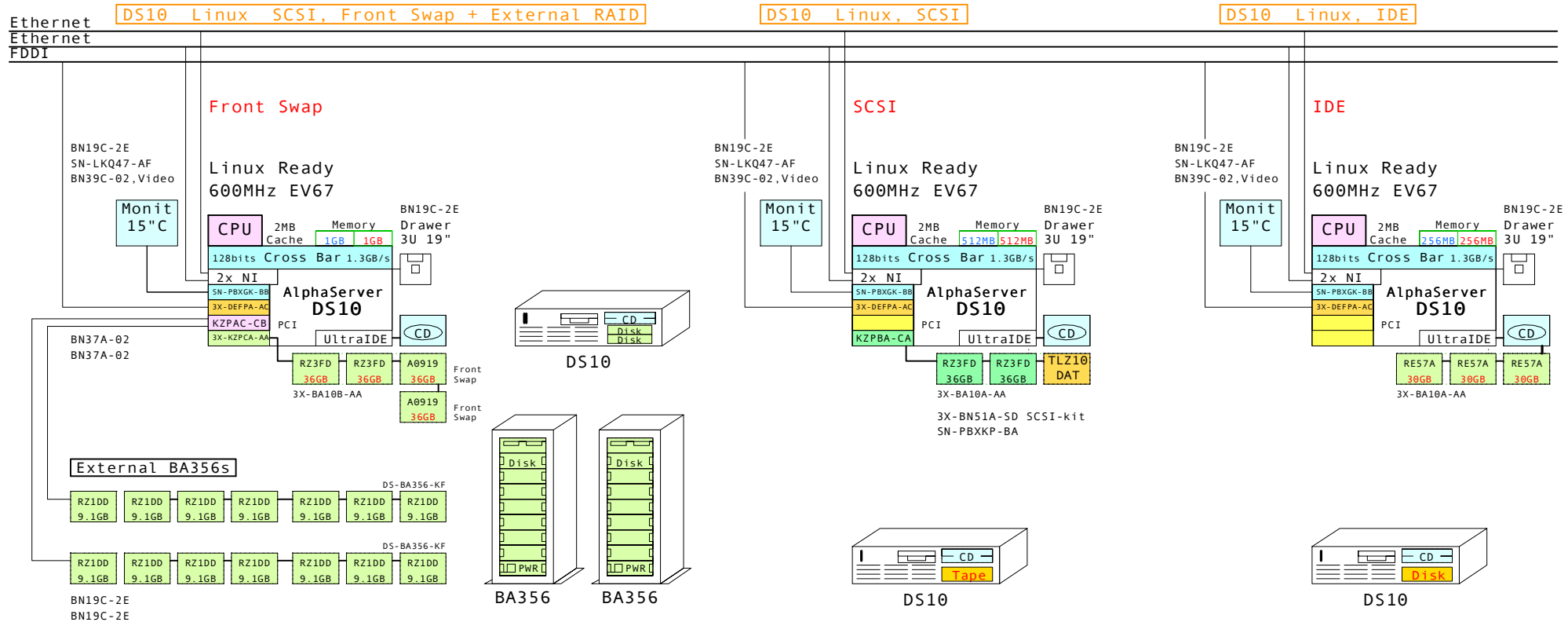
Part Number	Qty	Description
1	DY-74BAA-EA	1 AS DS10 67/600 512MB OpenVMS swap disk
1.1	3X-BA10A-AA	1 DS10 Disk Drive Cage, 2xDisks + Tape
1.1.1	DS-RZ3FD-WA	2 36.4GB 10kRPM Ultra3 SCSI Disk
1.1.2	TLZ10-LB	1 12/24GB 4mm DAT 5.25" HH
1.2	3X-DEFFA-AC	1 PCI to FDDI SAS MMF with SC,Universal
1.3	3X-MS310-DA	1 DS10 512MB DIMM MEM
1.4	BN19C-2E	1 PowerCable 240V, C-Europe
1.5	KZPBA-CA	1 PCI to UltraSCSI Adapter UWSE
1.6	SN-PBXGK-BB	1 Elsa Gloria Synergy 8M Video Graphics
2	3R-A2832-AA	1 COMPAQ Monitor S510 15" NH, EU
3	3X-BN51A-SD	1 DS10/V510 SCSI Cable Kit
4	BN39C-02	1 1.8 Video Extension Cable ****
5	SN-PBXKP-BA	1 WIDE TO NARROW SCSI ADAPTER
6	BN19C-2E	1 PowerCable 240V, C-Europe
7	LK461-AF	1 VMS STYLE KEYBOARD, Fin/Swed

Bill of material

Part Number	Qty	Description
1	DY-74BAA-DA	1 AS DS10 67/600 256MB OpenVMS swap disk
1.1	3X-BA10A-AA	1 DS10 Disk Drive Cage, 2xDisks + Tape
1.1.1	3R-RE57A-BA	3 DS10 30GB 7200 IDE-disk drive 1"
1.2	3X-DEFFA-AC	1 PCI to FDDI SAS MMF with SC,Universal
1.3	3X-MS310-CA	1 DS10 256MB DIMM MEM
1.4	BN19C-2E	1 PowerCable 240V, C-Europe
1.5	SN-PBXGK-BB	1 Elsa Gloria Synergy 8M Video Graphics
2	3R-A2832-AA	1 COMPAQ Monitor S510 15" NH, EU
3	BN39C-02	1 1.8 Video Extension Cable ****
4	BN19C-2E	1 PowerCable 240V, C-Europe
5	LK461-AF	1 VMS STYLE KEYBOARD, Fin/Swed

www.Compaq.com/golden-eggs
Since: Jul-2001

COMPAQ	04-Jul-2001	GTAVDS103
	Matti.Patari@Compaq.com	



Bill of material

Part Number	Qty	Description
1	DJ-74BAA-FA	1 AS DS10 67/600 1GB Linux Ready swap D
1.1	3X-BA10B-AA	1 DS10 Disk Drive Cage, 4xDisks
1.1.1	3R-A0919-AA	2 36.4GB Uscs13 10k Universal disk 1"
1.1.2	DS-RZ3FD-WA	2 36.4GB 10kRPM Ultra3 SCSI Disk
1.2	3X-DEFFA-AC	1 PCI to FDDI SAS MMF with SC,Universal
1.3	3X-KZPCA-AA	1 Single channel LVD adapter
1.4	3X-MS310-EA	1 DS10 1GB DIMM MEM
1.5	BN19C-2E	1 PowerCable 240V, C-Europe
1.6	KZPAC-CB	1 3 Chan. SCSI RAID 8MB UltraW
1.7	SN-PBXGK-BB	1 Elsa Gloria Synergy 8M Video Graphics
2	DS-BA356-KF	1 Pedestal Storage, UltraW, Single-Bus
2.1	DS-RZ1DD-VW	7 9.1GB 10000r UltraSCSI disk
3	DS-BA356-KF	1 Pedestal Storage, UltraW, Single-Bus
3.1	DS-RZ1DD-VW	7 9.1GB 10000r UltraSCSI disk
4	3R-A2832-AA	1 COMPAQ Monitor S510 15" NH, EU
5	BN39C-02	1 1.8 Video Extension Cable ****
6	SN-LK047-AF	1 102 KEY KYBD, NON-WIN, Finnish
7	BN19C-2E	3 PowerCable 240V, C-Europe
8	BN37A-02	2 Ultra Cbl VHDCI - VHDCI

Bill of material

Part Number	Qty	Description
1	DJ-74BAA-DA	1 AS DS10 67/600 256MB Linux Ready swap D
1.1	3X-BA10A-AA	1 DS10 Disk Drive Cage, 2xDisks + Tape
1.1.1	3X-RE57A-BA	3 DS10 30GB 7200 IDE-disk drive 1"
1.2	3X-DEFFA-AC	1 PCI to FDDI SAS MMF with SC,Universal
1.3	3X-MS310-CA	1 DS10 256MB DIMM MEM
1.4	BN19C-2E	1 PowerCable 240V, C-Europe
1.5	SN-PBXGK-BB	1 Elsa Gloria Synergy 8M Video Graphics
2	3R-A2832-AA	1 COMPAQ Monitor S510 15" NH, EU
3	BN39C-02	1 1.8 Video Extension Cable ****
4	SN-LK047-AF	1 102 KEY KYBD, NON-WIN, Finnish
5	BN19C-2E	1 PowerCable 240V, C-Europe

Bill of material

Part Number	Qty	Description
1	DJ-74BAA-EA	1 AS DS10 67/600 512MB Linux Ready swap D
1.1	3X-BA10A-AA	1 DS10 Disk Drive Cage, 2xDisks + Tape
1.1.1	DS-RZ3FD-WA	2 36.4GB 10kRPM Ultra3 SCSI Disk
1.1.2	TLZ10-LB	1 12/24GB 4mm DAT 5.25" HH
1.2	3X-DEFFA-AC	1 PCI to FDDI SAS MMF with SC,Universal
1.3	3X-MS310-DA	1 DS10 512MB DIMM MEM
1.4	BN19C-2E	1 PowerCable 240V, C-Europe
1.5	KZPBA-CA	1 PCI to UltraSCSI Adapter UWSE
1.6	SN-PBXGK-BB	1 Elsa Gloria Synergy 8M Video Graphics
2	3R-A2832-AA	1 COMPAQ Monitor S510 15" NH, EU
3	3X-BN51A-SD	1 DS10/V510 SCSI Cable Kit
4	BN39C-02	1 1.8 Video Extension Cable ****
5	SN-LK047-AF	1 102 KEY KYBD, NON-WIN, Finnish
6	SN-PBXKP-BA	1 WIDE TO NARROW SCSI ADAPTER
7	BN19C-2E	1 PowerCable 240V, C-Europe

www.Compaq.com/golden-eggs
Since: Jul-2001

COMPAQ	04-Jul-2001	GTALDS103
	Matti.Patari@Compaq.com	

AlphaServer DS20E 68/833 Systems

Order number	Operating system	Server systems, 64bits 833MHz
#1 DA-56RAA- -DA 256MB -EA 512MB -FA 1GB	DIGITAL UNIX	(Disk) RX,CD (NI SVGA)
DY-56RAA-**	OpenVMS	(Disk) RX,CD (NI SVGA)
DJ-56RAA-**	Linux Ready	(Disk) RX,CD (NI SVGA)
#2 Tower system		#2 Cabinet system
3X-BA56P-PB Tower kit		3X-BA56R-RC Rack mount kit
3X-BA610-6D Disk drive cage,6		3X-BA610-6D Disk drive cage,6
3R-A0585-AA Disk drive, 18GB		3R-A0585-AA Disk drive, 18GB
3X-KZPCA-AA Ultra2 SCSI adapter		3X-KZPCA-AA Ultra2 SCSI adapter
3X-DE600-AA Ethernet adapter		3X-DE600-AA Ethernet adapter
BN25G-10 Cable twisted, 10m		BN25G-10 Cable twisted, 10m
SN-PBXGK-BB Elsa Gloria 8MB		SN-PBXGK-BB Elsa Gloria 8MB
BN19C-2E Power cord		BN35S-4E CPU power cord for cab
		H9A15-MC/MD Cabinet 120V/240V 38U
		H9C15-TE Cabinet rear extender
		H9C15-TF Cabinet front door
		H9C10-MC Ballast kit 40lbs
		YS-ASCAA-AA Factory integration

#3 SVGA color monitor	#4 Select a keyboard and one powercord for pedestal.																									
15" 3R-A2832-AA 17" 3R-A2261-AA Europe BN39C-02 2m ext.cable	<table border="1"> <tr> <td>SN-LKQ47 UNIX, Lin</td> <td>-AE GB</td> <td>-AG G</td> <td>-AM S</td> <td>BN19C-2E Europe</td> </tr> <tr> <td>LK461 OVMS</td> <td>-AB B</td> <td>-AH NL</td> <td>-AN N</td> <td>BN19A-2E GB</td> </tr> <tr> <td></td> <td>-AD DK</td> <td>-AI I</td> <td>-AP F</td> <td>BN19E-2E CH</td> </tr> <tr> <td></td> <td>-AF FI</td> <td>-AK CH</td> <td>-AS E</td> <td>BN19K-2E DK</td> </tr> <tr> <td></td> <td></td> <td></td> <td></td> <td>BN19Z-2E I</td> </tr> </table>	SN-LKQ47 UNIX, Lin	-AE GB	-AG G	-AM S	BN19C-2E Europe	LK461 OVMS	-AB B	-AH NL	-AN N	BN19A-2E GB		-AD DK	-AI I	-AP F	BN19E-2E CH		-AF FI	-AK CH	-AS E	BN19K-2E DK					BN19Z-2E I
SN-LKQ47 UNIX, Lin	-AE GB	-AG G	-AM S	BN19C-2E Europe																						
LK461 OVMS	-AB B	-AH NL	-AN N	BN19A-2E GB																						
	-AD DK	-AI I	-AP F	BN19E-2E CH																						
	-AF FI	-AK CH	-AS E	BN19K-2E DK																						
				BN19Z-2E I																						

Internal options

Memory expansion

DIMM-kits	Max memory
MS340-CA 256MB	4x 1GB =4GB
MS340-DA 512MB	
MS340-EA 1GB	

Additional CPUs

KN312-BB	UNIX	833MHz
KN312-BC	OVMS	833MHz
KN312-BD	Linux	833MHz

3rd Power

FR-H7910-AA
For N+1

Internal storage

Tape storage

TLZ10-LB	12/24GB DAT SCSI tape
3X-BC56C-2F	SCSI cable for tape

Disk storage

3R-A0584-AA	9.2GB Ultra3 U-disk 10k
3R-A0585-AA	18.2GB Ultra3 U-disk 10k
3R-A0919-AA	36.4GB Ultra3 U-disk 10k

3X-KZPCA-AA	LVD SCSI adapter
KZPBA-CA	UltraSCSI SE adapter
BN38C-02	2m SCSI cable, 68HD-VHDCI.
KZPAC-CB	RAID 3-port, 8MB cache
KZPSC-UB	Cache battery
BN37A-02	2m SCSI cbl VHDCI-VHDCI.

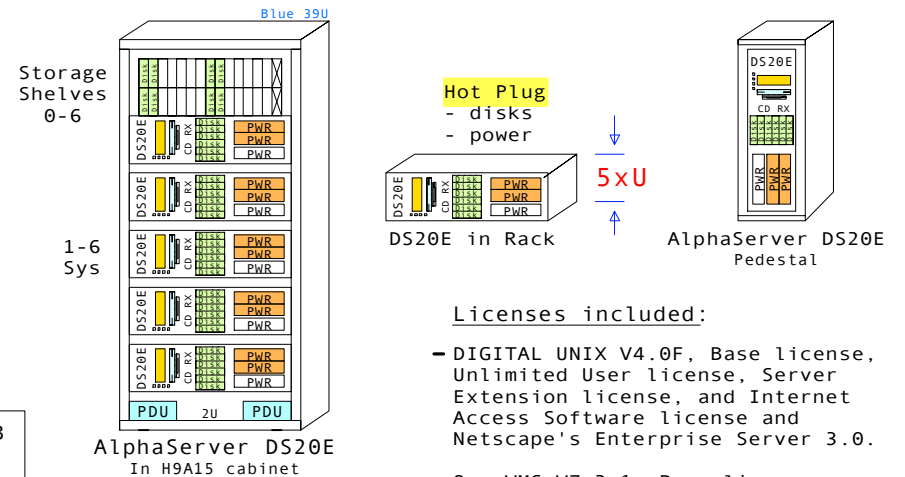
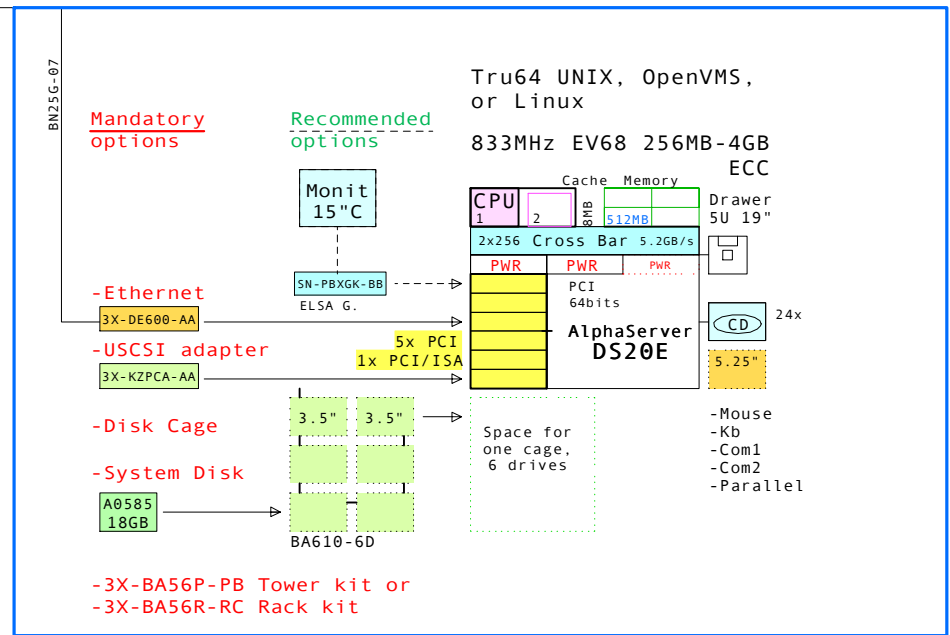
Controllers

SN-PBXGK-BB	ELSA Gloria Graph. 8MB
3X-DEPVD-AA	Permedia 2 + Ethernet
3X-DE600-AA	Fast Ethernet 10/100
3X-DEFPA-DC	FDDI DAS MMF SC
DEGPA-SA	Gigabit Ethernet
KZPBA-CB	UltraSCSI Diff, 68HD

External options

Tape storage

DS-TZ89N-TA	35/70GB DLT tape, TT
BN21K-02	SCSI cable, FWD
BN19C-2E	Power cord, Europe
KZPBA-CA	UltraSCSI SE adapter



Licenses included:

- DIGITAL UNIX V4.0F, Base license, Unlimited User license, Server Extension license, and Internet Access Software license and Netscape's Enterprise Server 3.0.
- OpenVMS V7.2-1, Base license and DIGITAL Enterprise Integration Package.

	@833MHz	@667MHz
SPECint2000	571	444
SPECfp2000	784	577

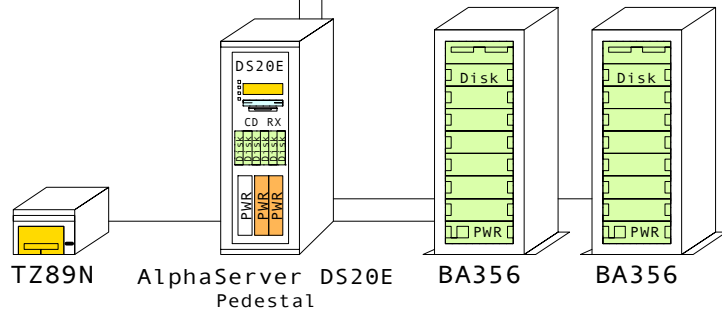
Software Processor Code: **E**

COMPAQ	02-Jul-2001	GEADS20E4
	Matti.Patari@compaq.com	

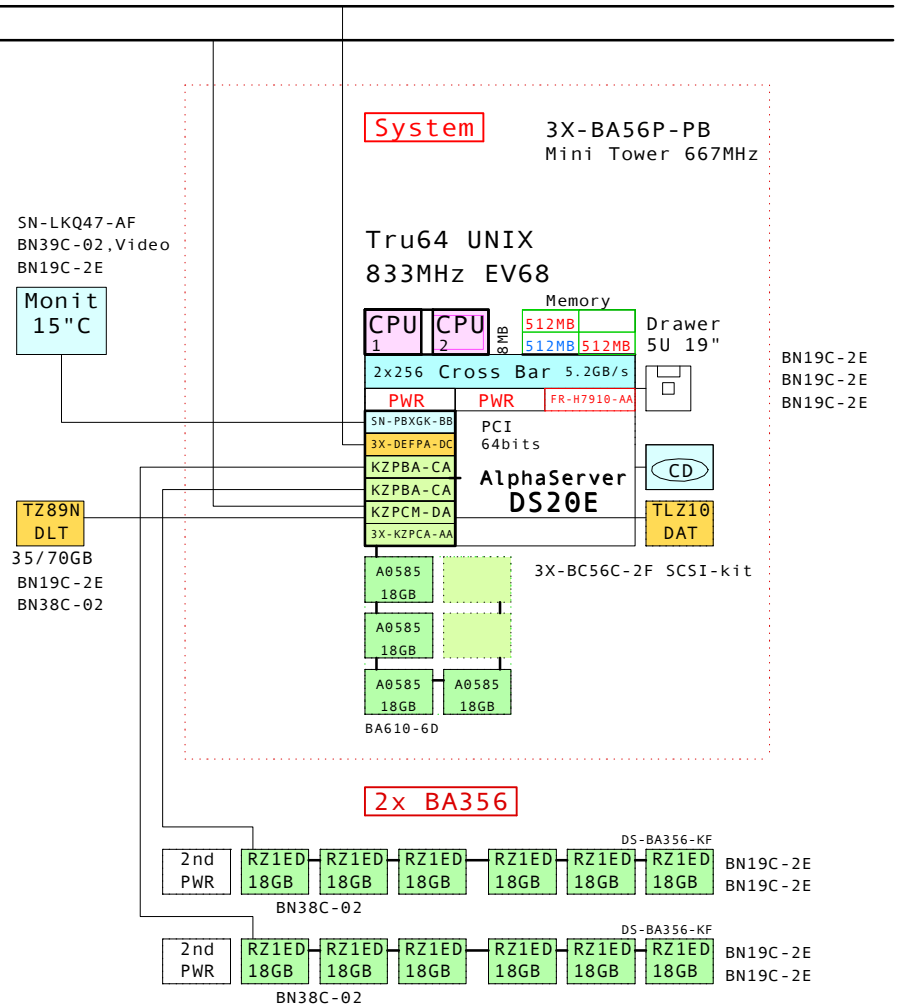
AlphaServer DS20E 833MHz Syst.
GOLDEN EGGS Visuals, Helsinki

FDDI

Ethernet



DS20E expanded Tru64 UNIX system



Bill of material

	Part Number	Qty	Description
1	3X-BA56P-PB	1	DS20E Mini tower pedestal kit,667MHz
1.1	DA-56RAA-EA	1	AS DS20E 6/833 512MB,Rack,5U,UNIX
1.1.1	3X-BC56C-2F	1	DS20E SCSI Cable Kit
1.1.2	3X-DEFPA-DC	1	PCI to FDDI DAS MMF with SC,Universal
1.1.3	3X-KZPCA-AA	1	Single channel LVD adapter
1.1.4	BA610-6D	1	ES40 Disk Drive Cage, 6-Bay
1.1.4.1	3R-A0585-AA	4	18.2GB Uscsi3 10k Universal disk 1"
1.1.5	FR-H7910-AA	1	Third power supply for DS20E
1.1.6	KN312-BB	1	AS DS20E 6/833 SMP UPG UNIX
1.1.7	KZPBA-CA	2	PCI to UltraSCSI Adapter UWSE
1.1.8	KZPCM-DA	1	Dual Uscsi with FastEther PCI
1.1.9	MS340-DA	2	DS20 512MB SDIMM MEM 4x128MB
1.1.10	SN-PBXGK-BB	1	Elsa Gloria Synergy 8M Video Graphics
1.1.11	TLZ10-LB	1	12/24GB 4mm DAT 5.25" HH
2	DS-BA356-KF	1	Pedestal Storage, UltraW, Single-Bus
2.1	BN19C-2E	2	PowerCable 240V, C-Europe
2.2	BN38C-02	1	Ultra Cbl VHDCI - 68HD
2.3	CK-BA35X-HH	1	180W Stor.Shelf PWR for AS4x00
2.4	DS-RZ1ED-VW	6	18.2GB 10000r UltraSCSI disk
3	DS-BA356-KF	1	Pedestal Storage, UltraW, Single-Bus
3.1	BN19C-2E	2	PowerCable 240V, C-Europe
3.2	BN38C-02	1	Ultra Cbl VHDCI - 68HD
3.3	CK-BA35X-HH	1	180W Stor.Shelf PWR for AS4x00
3.4	DS-RZ1ED-VW	6	18.2GB 10000r UltraSCSI disk
4	3R-A2832-AA	1	COMPAQ Monitor S510 15" NH, EU
5	DS-TZ89N-TA	1	35/70GB SE DLT-tape TT FWSE
6	BN39C-02	1	1.8 Video Extension Cable ****
7	SN-LKQ47-AF	1	102 KEY KYBD, NON-WIN, Finnish
8	BN19C-2E	5	PowerCable 240V, C-Europe
9	BN38C-02	1	Ultra Cbl VHDCI - 68HD

www.Compaq.com/golden-eggs
Since: Jun-2000

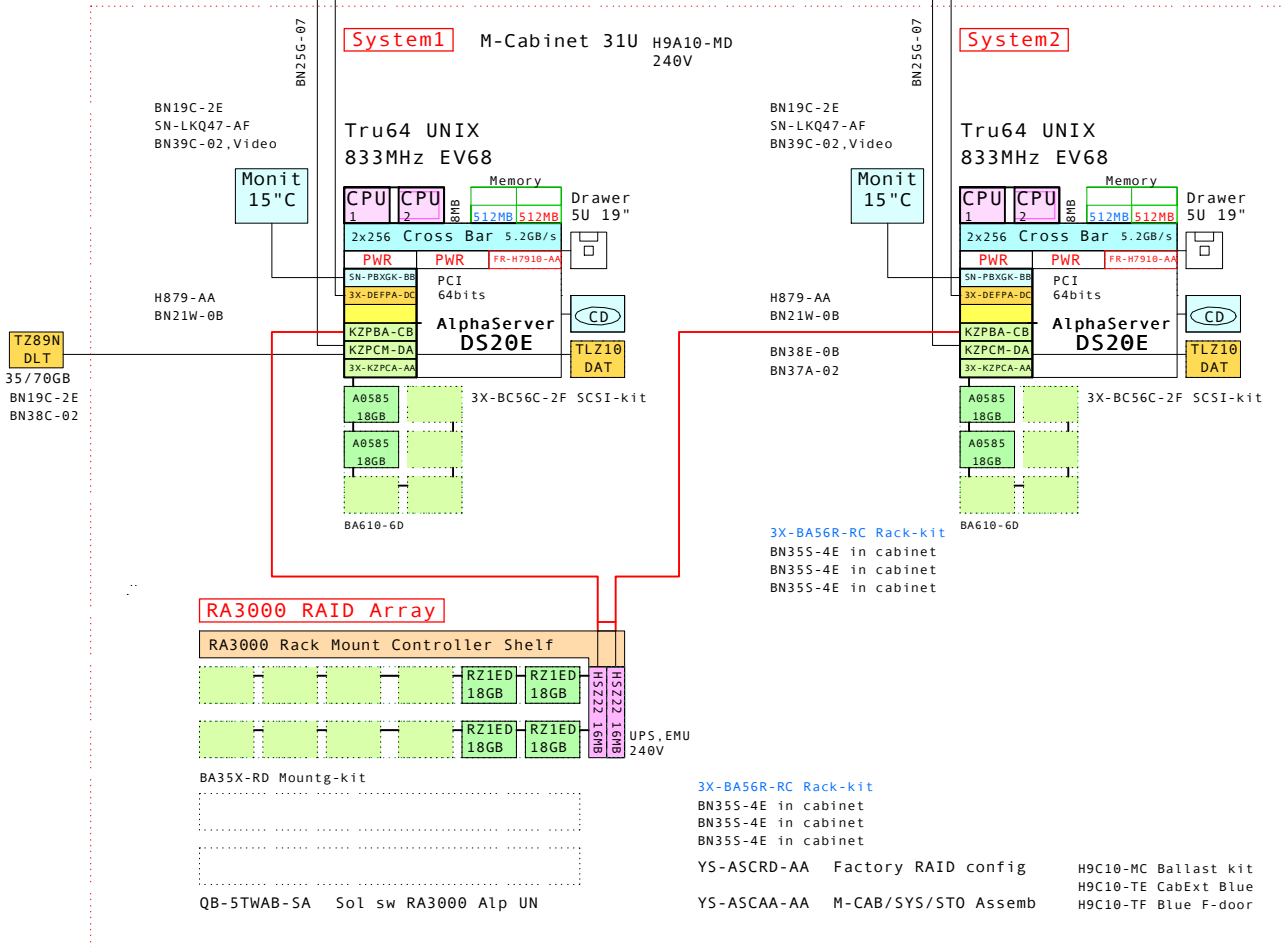
COMPAQ	02-Jul-2001	GTAUDS20EF
	Matti.Patari@compaq.com	

AlphaServer DS20E UNIX System
GOLDEN EGGS Visuals, Helsinki

DS20E UNIX Cluster with in-cabinet RA3000 RAID storage

Ethernet

FDDI



BOM for this cabinet system

Part Number	Qty	Description
1		H9A10-MD 1 M-Series Cab,H9A10,Blue,240V 31U
1.1		3R-A2832-AA 2 COMPAQ Monitor 5510 15" NH, EU
1.2		3X-BA56R-RC 2 Rackm.kit, DS20E,667MHz for M-series
1.3		BA35X-RD 1 Mounting kit - metric
1.4		BN19C-2E 2 PowerCable 240V, C-Europe
1.5		BN21W-0B 2 Y SCSI-2 Cable 68 pins/6".15m
1.6		BN25G-07 2 17-03212-05 8MP-8MP PATCH CBL
1.7		BN355-4E 6 PowerCord C13 to C14, Non US
1.8		BN37A-02 1 Ultra Cbl VHDCI - VHDCI
1.9		BN38E-0B 1 Ultra Cbl VHDCI - 68HD
1.10		BN39C-02 2 1.8 Video Extension Cable ****
1.11		DA-56RAA-EA 1 AS DS20E 6/833 512MB,Rack,5U,UNIX
1.11.1		3X-BC56C-2F 1 DS20E SCSI Cable Kit
1.11.2		3X-DEFPA-DC 1 PCI to FDDI DAS MMF with SC,Universal
1.11.3		3X-KZPCA-AA 1 Single channel LVD adapter
1.11.4		BA610-6D 1 E540 Disk Drive Cage, 6-Bay
1.11.4.1		3R-A0585-AA 2 18.2GB Uscsi3 10k Universal disk 1"
1.11.5		FR-H7910-AA 1 Third power supply for DS20E
1.11.6		KN312-BB 1 AS DS20E 6/833 SMP UPG UNIX
1.11.7		KZPBA-CB 1 PCI to UltraSCSI Adapter Uwdif
1.11.8		KZPCM-DA 1 Dual Uscsi with FastEther PCI
1.11.9		MS340-DA 1 DS20 512MB SDIMM MEM 4x128MB
1.11.10		SN-PBXGK-BB 1 Elsa Gloria Synergy 8M Video Graphics
1.11.11		TLZ10-LB 1 12/24GB 4mm DAT 5.25" HH
1.12		DA-56RAA-EA 1 AS DS20E 6/833 512MB,Rack,5U,UNIX
1.12.1		3X-BC56C-2F 1 DS20E SCSI Cable Kit
1.12.2		3X-DEFPA-DC 1 PCI to FDDI DAS MMF with SC,Universal
1.12.3		3X-KZPCA-AA 1 Single channel LVD adapter
1.12.4		BA610-6D 1 E540 Disk Drive Cage, 6-Bay
1.12.4.1		3R-A0585-AA 2 18.2GB Uscsi3 10k Universal disk 1"
1.12.5		FR-H7910-AA 1 Third power supply for DS20E
1.12.6		KN312-BB 1 AS DS20E 6/833 SMP UPG UNIX
1.12.7		KZPBA-CB 1 PCI to UltraSCSI Adapter Uwdif
1.12.8		KZPCM-DA 1 Dual Uscsi with FastEther PCI
1.12.9		MS340-DA 1 DS20 512MB SDIMM MEM 4x128MB
1.12.10		SN-PBXGK-BB 1 Elsa Gloria Synergy 8M Video Graphics
1.12.11		TLZ10-LB 1 12/24GB 4mm DAT 5.25" HH
1.13		DS-SWXRA-GK 1 RA3000 Rackmoun one HSZ22 240V
1.13.1		DS-HS222-AA 1 HS222 controller 16MB
1.13.2		DS-SWXRA-GN 1 RA3000 Rackmount Expan 120/240
1.13.2.1		DS-RZ1ED-VW 2 18.2GB 10000r UltraSCSI disk
1.13.3		DS-SWXRA-GN 1 RA3000 Rackmount Expan 120/240
1.13.3.1		DS-RZ1ED-VW 2 18.2GB 10000r UltraSCSI disk
1.14		H879-AA 2 SCSI-3 Term - 68 pin Male
1.15		H9C10-MC 1 Ballast Kit for cabinets
1.16		H9C10-TE 1 Rear cab extender for H9A10 Blue
1.17		H9C10-TF 1 FrontDoorKit Blue for H9A10
1.18		QB-STWAB-SA 1 Sol sw RA3000 Alp UNIX
1.19		SN-LKQ47-AF 2 102 KEY KYBD, NON-WIN, Finnish
1.20		YS-ASCAA-AA 1 M-CAB/SYS/STO Assembly
1.21		YS-ASCRD-AA 1 Factory configured RAID sets of BA370
2		DS-TZ89N-TA 1 35/70GB SE DLT-tape TT FWSE
3		BN19C-2E 1 PowerCable 240V, C-Europe
4		BN38C-02 1 Ultra Cbl VHDCI - 68HD

www.Compaq.com/golden-eggs
Since: Jun-2000

COMPAQ	02-Jul-2001	GTAUDS20EG
	Matti.Patari@Compaq.com	

AlphaServer DS20E UNIX Cluster
GOLDEN EGGS Visuals, Helsinki

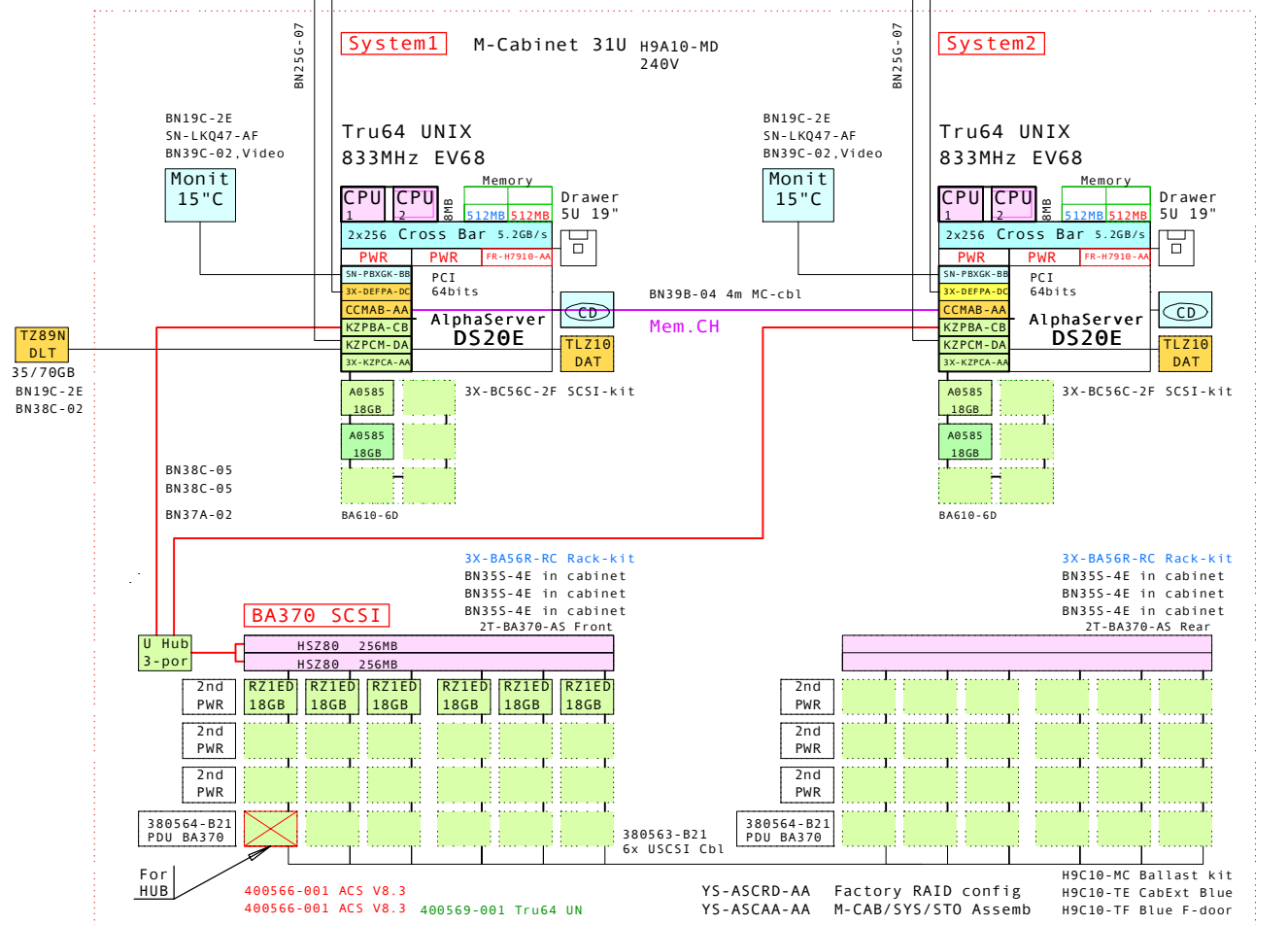
DS20E UNIX

This template is included in the present GOLDEN EGGS Software kit.

DS20E UNIX Cluster with in-cabinet RAID storage

Ethernet

FDDI



BOM for this cabinet system

Part Number	Qty	Description
1	H9A10-MD	1 M-Series Cab.H9A10,Blue,240V 31U
1.1	2T-BA370-AR	1 BA370 shelf,slides Rear RackMount
1.1.1	380564-B21	1 Power Distribution Unit RA8k/7k
1.1.2	380565-B21	3 Power Supply 180W Hot Plug SBB
1.2	2T-BA370-AS	1 BA370 shelf,slides Front RackMount
1.2.1	380564-B21	1 Power Distribution Unit RA8k/7k
1.2.2	380565-B21	3 Power Supply 180W Hot Plug SBB
1.2.3	400565-B21	2 Ultra Opt.1 cont w 2x128MB cache HS280
1.2.4	DS-DWZZH-03	1 Uscsi Act hub 0 SE:3/Dif 3.5" SBB
1.2.5	DS-RZ1ED-VW	6 18.2GB 10000r UltraSCSI disk
1.3	380563-B21	1 Set of six USCSI cables
1.4	3R-A2832-AA	2 COMPAQ Monitor S510 15" NH, EU
1.5	3X-BA56R-RC	2 Rackm.kit, DS20E,667MHz for M-series
1.6	400566-001	2 HS280 Controller Software ACS V8.3
1.7	400569-001	1 Ultra opt OS Software Tru64 UNIX
1.8	BN19C-2E	2 PowerCable 240V, C-Europe
1.9	BN25G-07	2 17-03212-05 8MP-8MP PATCH CBL
1.10	BN355-4E	6 PowerCord C13 to C14, Non US
1.11	BN37A-02	1 Ultra Cbl VHDCI - VHDCI
1.12	BN38C-05	2 Ultra Cbl VHDCI - 68HD
1.13	BN39B-04	1 04m copper cbl for CCMAB Mem.Chan
1.14	BN39C-02	2 1.8 Video Extension Cable ****
1.15	DA-56RAA-EA	1 AS DS20E 6/833 512MB Rack,5U,UNIX
1.15.1	3X-BC56C-2F	1 DS20E SCSI Cable Kit
1.15.2	3X-DEFPA-DC	1 PCI to FDDI DAS MMF with SC,Universal
1.15.3	3X-KZPCA-AA	1 Single channel LVD adapter
1.15.4	BA610-6D	1 E540 Disk Drive Cage, 6-Bay
1.15.4.1	3R-A0585-AA	2 18.2GB Uscsi3 10k Universal disk 1"
1.15.5	CCMAB-AA	1 PCI Mem. Channel-2 Cluster cntrl
1.15.6	FR-H7910-AA	1 Third power supply for DS20E
1.15.7	KN312-BB	1 AS DS20E 6/833 SMP UPG UNIX
1.15.8	KZPBA-CB	1 PCI to UltraSCSI Adapter Uwdif
1.15.9	KZPCM-DA	1 Dual Uscsi with FastEther PCI
1.15.10	MS340-DA	1 DS20 512MB SDTMM MEM 4x128MB
1.15.11	SN-PBXGK-BB	1 Elsa Gloria Synergy 8M Video Graphics
1.15.12	TLZ10-LB	1 12/24GB 4mm DAT 5.25" HH
1.16	DA-56RAA-EA	1 AS DS20E 6/833 512MB Rack,5U,UNIX
1.16.1	3X-BC56C-2F	1 DS20E SCSI Cable Kit
1.16.2	3X-DEFPA-DC	1 PCI to FDDI DAS MMF with SC,Universal
1.16.3	3X-KZPCA-AA	1 Single channel LVD adapter
1.16.4	BA610-6D	1 E540 Disk Drive Cage, 6-Bay
1.16.4.1	3R-A0585-AA	2 18.2GB Uscsi3 10k Universal disk 1"
1.16.5	CCMAB-AA	1 PCI Mem. Channel-2 Cluster cntrl
1.16.6	FR-H7910-AA	1 Third power supply for DS20E
1.16.7	KN312-BB	1 AS DS20E 6/833 SMP UPG UNIX
1.16.8	KZPBA-CB	1 PCI to UltraSCSI Adapter Uwdif
1.16.9	KZPCM-DA	1 Dual Uscsi with FastEther PCI
1.16.10	MS340-DA	1 DS20 512MB SDTMM MEM 4x128MB
1.16.11	SN-PBXGK-BB	1 Elsa Gloria Synergy 8M Video Graphics
1.16.12	TLZ10-LB	1 12/24GB 4mm DAT 5.25" HH
1.17	H9C10-MC	1 Ballast Kit for cabinets
1.18	H9C10-TE	1 Rear cab extender for H9A10 Blue
1.19	H9C10-TF	1 FrontDoorKit Blue for H9A10
1.20	SN-LKQ47-AF	2 102 KEY KYBD, NON-WIN, Finnish
1.21	YS-ASCAA-AA	1 M-CAB/SYS/STO Assembly
1.22	YS-ASCRD-AA	1 Factory configured RAID sets of BA370
2	DS-TZ89N-TA	1 35/70GB SE DLT-tape TT FWSF
3	BN19C-2E	1 PowerCable 240V, C-Europe
4	BN38C-02	1 Ultra Cbl VHDCI - 68HD

www.Compaq.com/golden-eggs
Since: Apr-2000

COMPAQ	02-Jul-2001	GTAUDS20EH
	Matti.Patari@Compaq.com	

AlphaServer DS20E UNIX Cluster
GOLDEN EGGS Visuals, Helsinki

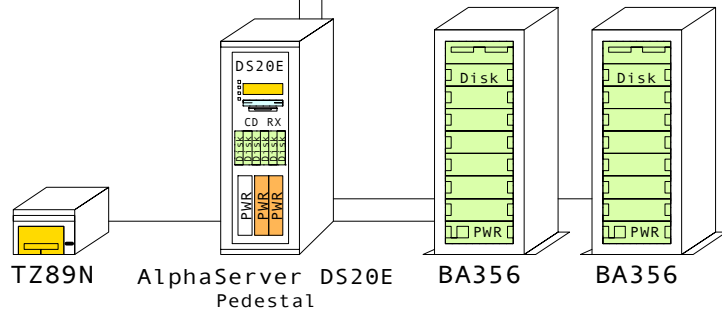
DS20E UNIX

This template is included in the present GOLDEN EGGS Software kit.

DS20E expanded OpenVMS system

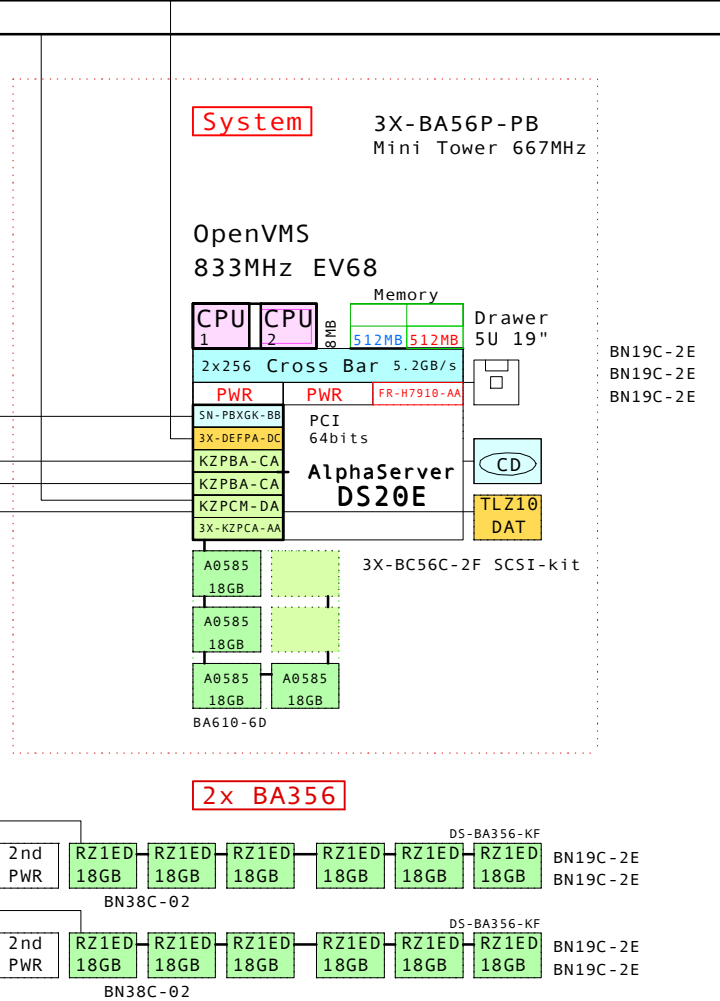
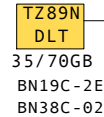
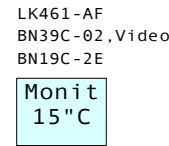
FDDI

Ethernet



Bill of material

	Part Number	Qty	Description
1	3X-BA56P-PB	1	DS20E Mini tower pedestal kit,667MHz
1.1	DY-56RAA-EA	1	AS DS20E 6/833 512MB,Rack,5U,0VMS
1.1.1	3X-BC56C-2F	1	DS20E SCSI Cable Kit
1.1.2	3X-DEFPA-DC	1	PCI to FDDI DAS MMF with SC,Universal
1.1.3	3X-KZPCA-AA	1	Single channel LVD adapter
1.1.4	BA610-6D	1	ES40 Disk Drive Cage, 6-Bay
1.1.4.1	3R-A0585-AA	4	18.2GB Uscsi3 10K Universal disk 1"
1.1.5	FR-H7910-AA	1	Third power supply for DS20E
1.1.6	KN312-BC	1	AS DS20E 6/833 SMP UPG OpenVMS
1.1.7	KZPBA-CA	2	PCI to UltraSCSI Adapter UWSE
1.1.8	KZPCM-DA	1	Dual Uscsi with FastEther PCI
1.1.9	MS340-DA	1	DS20 512MB SDIMM MEM 4x128MB
1.1.10	SN-PBXGK-BB	1	Elsa Gloria Synergy 8M Video Graphics
1.1.11	TLZ10-LB	1	12/24GB 4mm DAT 5.25" HH
2	DS-BA356-KF	1	Pedestal Storage, UltraW, Single-Bus
2.1	BN19C-2E	2	PowerCable 240V, C-Europe
2.2	BN38C-02	1	Ultra Cbl VHDCI - 68HD
2.3	CK-BA35X-HH	1	180W Stor.Shelf PWR for AS4x00
2.4	DS-RZ1ED-VW	6	18.2GB 10000r UltraSCSI disk
3	DS-BA356-KF	1	Pedestal Storage, UltraW, Single-Bus
3.1	BN19C-2E	2	PowerCable 240V, C-Europe
3.2	BN38C-02	1	Ultra Cbl VHDCI - 68HD
3.3	CK-BA35X-HH	1	180W Stor.Shelf PWR for AS4x00
3.4	DS-RZ1ED-VW	6	18.2GB 10000r UltraSCSI disk
4	3R-A2832-AA	1	COMPAQ Monitor S510 15" NH, EU
5	DS-TZ89N-TA	1	35/70GB SE DLT-tape TT FWSE
6	BN39C-02	1	1.8 Video Extension Cable ****
7	BN19C-2E	5	PowerCable 240V, C-Europe
8	BN38C-02	1	Ultra Cbl VHDCI - 68HD
9	LK461-AF	1	VMS STYLE KEYBOARD, Fin/Swed



www.Compaq.com/golden-eggs
Since: Jun-2000

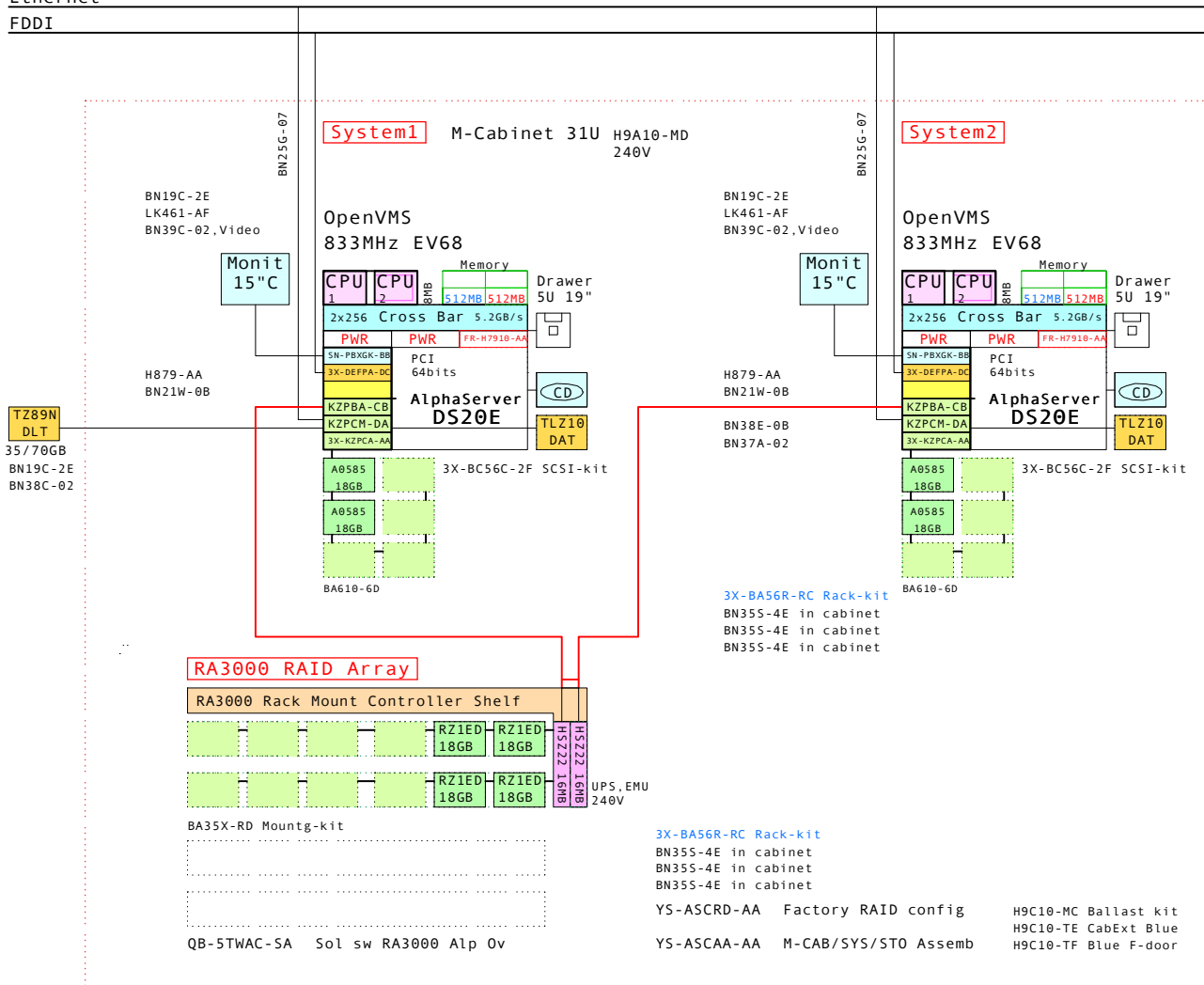
COMPAQ 02-Jul-2001 GTAVDS20EF
Matti.Patari@compaq.com

AlphaServer DS20E OpenVMS Syst
GOLDEN EGGS Visuals, Helsinki

DS20E OpenVMS Cluster with in-cabinet RA3000 RAID storage

Ethernet

FDDI



BOM for this cabinet system

Part Number	Qty	Description
1		H9A10-MD 1 M-Series Cab, H9A10, Blue, 240V 31U
1.1		3R-A2832-AA 2 COMPAQ Monitor S510 15" NH, EU
1.2		3X-BA56R-RC 2 Rackm, kit, DS20E, 667MHz for M-series
1.3		BA35X-RD 1 Mounting kit, metric
1.4		BN19C-2E 2 PowerCable 240V, C-Europe
1.5		BN21W-0B 2 Y SCSI-2 Cable 68 pins/6" .15m
1.6		BN25G-07 2 17-03212-05 8MP-8MP PATCH CBL
1.7		BN355-4E 6 PowerCord C13 to C14, Non US
1.8		BN37A-02 1 Ultra Cbl VHDCI - VHDCI
1.9		BN38E-0B 1 Ultra Cbl VHDCI - 68HD
1.10		BN39C-02 2 1.8 Video Extension Cable ****
1.11		D5-SWXRA-GK 1 RA3000 Rackmoun one HSZ22 240V
1.11.1		D5-HS222-AA 1 HSZ22 controller 16MB
1.11.2		D5-SWXRA-GN 1 RA3000 Rackmount Expan 120/240
1.11.2.1		D5-RZ1ED-VN 2 18.2GB 10000r UltraSCSI disk
1.11.3		D5-SWXRA-GN 1 RA3000 Rackmount Expan 120/240
1.11.3.1		D5-RZ1ED-VN 2 18.2GB 10000r UltraSCSI disk
1.12		DY-56RAA-EA 1 AS DS20E 6/833 512MB, Rack, 5U, OVMS
1.12.1		3X-BC56C-2F 1 DS20E SCSI Cable Kit
1.12.2		3X-DEFPA-DC 1 PCI to FDDI DAS MMF with SC, Universal
1.12.3		3X-KZPCA-AA 1 Single channel LVD adapter
1.12.4		BA610-6D 1 E540 Disk Drive Cage, 6-Bay
1.12.4.1		3R-A0585-AA 2 18.2GB Uscsi3 10k Universal disk 1"
1.12.5		FR-H7910-AA 1 Third power supply for DS20E
1.12.6		KN312-BC 1 AS DS20E 6/833 SMP UPG OpenVMS
1.12.7		KZPBA-CB 1 PCI to UltraSCSI Adapter Umdif
1.12.8		KZPCM-DA 1 Dual Uscsi with FastEther PCI
1.12.9		MS340-DA 1 DS20 512MB SDIMM MEM 4x128MB
1.12.10		SN-PBXGK-BB 1 Elsa Gloria Synergy 8M Video Graphics
1.12.11		TLZ10-LB 1 12/24GB 4mm DAT 5.25" HH
1.13		DY-56RAA-EA 1 AS DS20E 6/833 512MB, Rack, 5U, OVMS
1.13.1		3X-BC56C-2F 1 DS20E SCSI Cable Kit
1.13.2		3X-DEFPA-DC 1 PCI to FDDI DAS MMF with SC, Universal
1.13.3		3X-KZPCA-AA 1 Single channel LVD adapter
1.13.4		BA610-6D 1 E540 Disk Drive Cage, 6-Bay
1.13.4.1		3R-A0585-AA 2 18.2GB Uscsi3 10k Universal disk 1"
1.13.5		FR-H7910-AA 1 Third power supply for DS20E
1.13.6		KN312-BC 1 AS DS20E 6/833 SMP UPG OpenVMS
1.13.7		KZPBA-CB 1 PCI to UltraSCSI Adapter Umdif
1.13.8		KZPCM-DA 1 Dual Uscsi with FastEther PCI
1.13.9		MS340-DA 1 DS20 512MB SDIMM MEM 4x128MB
1.13.10		SN-PBXGK-BB 1 Elsa Gloria Synergy 8M Video Graphics
1.13.11		TLZ10-LB 1 12/24GB 4mm DAT 5.25" HH
1.14		H879-AA 2 SCSI-3 Term - 68 pin Male
1.15		H9C10-MC 1 Ballast Kit for cabinets
1.16		H9C10-TE 1 Rear cab extender for H9A10 Blue
1.17		H9C10-TF 1 FrontDoorKit Blue for H9A10
1.18		LK461-AF 2 VMS STYLE KEYBOARD, Fin/Swed
1.19		QB-5TWAC-SA 1 Sol sw RA3000 Alp Ovms
1.20		YS-ASCAA-AA 1 M-CAB/SYS/STO Assembly
1.21		YS-ASCRD-AA 1 Factory configured RAID sets of BA370
2		DY-TZ89N-TA 1 35/70GB SE DLT-tape TT FW5E
3		BN19C-2E 1 PowerCable 240V, C-Europe
4		BN38C-02 1 Ultra Cbl VHDCI - 68HD

www.Compaq.com/golden-eggs
Since: Jun-2000

COMPAQ	02-Jul-2001	GTAVDS20EG
Matti.Patari@Compaq.com		

AlphaServer DS20E OVMS Cluster
GOLDEN EGGS Visuals, Helsinki

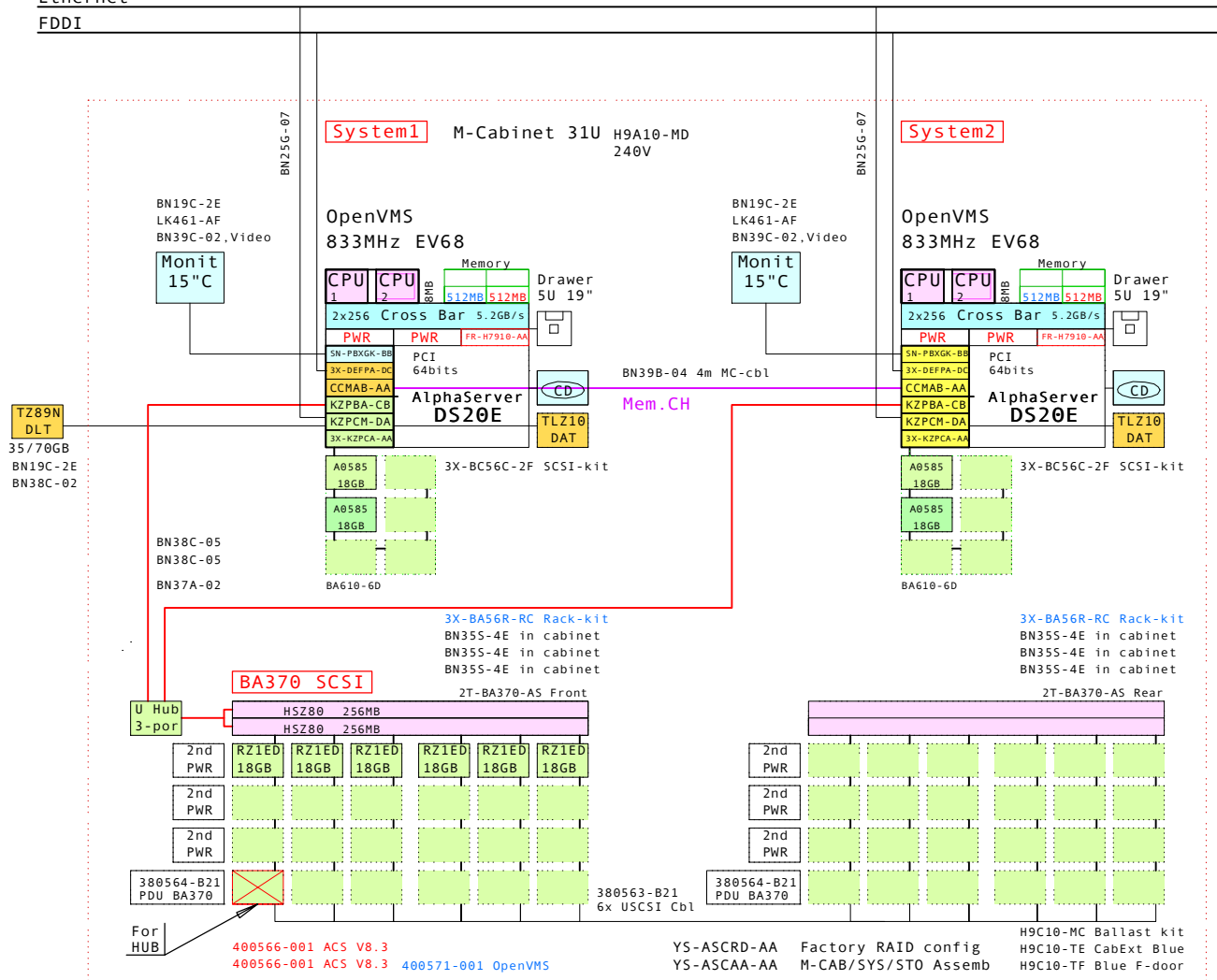
This template is included in the present GOLDEN EGGS Software kit.

DS20E OVMS

DS20E OpenVMS Cluster with in-cabinet RAID storage

Ethernet

FDDI



BOM for this cabinet system

Part Number	Qty	Description
1	H9A10-MD	1 M-Series Cab. H9A10. Blue. 240V 31U
1.1	2T-BA370-AR	1 BA370 shelf. slides Rear RackMount
1.1.1	380564-B21	1 Power Distribution Unit RA8k/7k
1.1.2	380565-B21	3 Power Suply 180W Hot Plug SBB
1.2	2T-BA370-AS	1 BA370 shelf. slides Front RackMount
1.2.1	380564-B21	1 Power Distribution Unit RA8k/7k
1.2.2	380565-B21	3 Power Suply 180W Hot Plug SBB
1.2.3	400565-B21	2 Ultra Opt.1 cont w 2x128MB cache HS280
1.2.4	DS-DWZZH-03	1 Uscsi Act hub 0 SE:3/Dif 3.5" SBB
1.2.5	DS-RZ1ED-VW	6 18.2GB 10000r UltraSCSI disk
1.3	380563-B21	1 Set of six USCSI cables
1.4	3R-A2832-AA	2 COMPAQ Monitor 5510 15" NH EU
1.5	3X-BA56R-RC	2 RackM.kit. DS20E.667MHz for M-series
1.6	400566-001	2 HSZ80 Controller Software ACS V8.3
1.7	400571-001	1 Ultra opt OS Software OpenVMS
1.8	BN19C-2E	2 PowerCable 240V. C-Europe
1.9	BN25G-07	2 17-03212-05 8MP-8MP PATCH CBL
1.10	BN355-4E	6 PowerCord C13 to C14. Non US
1.11	BN37A-02	1 Ultra Cbl VHDCI - VHDCI
1.12	BN38C-05	2 Ultra Cbl VHDCI - 68HD
1.13	BN39B-04	1 04m copper cbl for CCMAb Mem.Chan
1.14	BN39C-02	2 1.8 Video Extension Cable ****
1.15	DY-56RAA-EA	1 AS DS20E 6/833 512MB.Rack.5U.OVMS
1.15.1	3X-BC56C-2F	1 DS20E SCSI Cable Kit
1.15.2	3X-DEEPA-DC	1 PCI to FDDI DAS MMF with SC.Universal
1.15.3	3X-KZPCA-AA	1 Single channel LVD adapter
1.15.4	BA610-6D	1 ES40 Disk Drive Cage. 6-Bay
1.15.4.1	3R-A0585-AA	2 18.2GB Uscsi3 10k Universal disk 1"
1.15.5	CCMAB-AA	1 PCI Mem. Channel-2 Cluster cntrl
1.15.6	FR-H7910-AA	1 Third power supply for DS20E
1.15.7	KN312-BC	1 AS DS20E 6/833 SMP UPG OpenVMS
1.15.8	KZPBA-CB	1 PCI to UltraSCSI Adapter Uwdif
1.15.9	KZPCM-DA	1 Dual Uscsi with FastEther PCI
1.15.10	MS340-DA	1 DS20 512MB SDIMM MEM 4x128MB
1.15.11	SN-PBXGK-BB	1 Elsa Gloria Synergy 8M Video Graphics
1.15.12	TLZ10-LB	1 12/24GB 4mm DAT 5.25" HH
1.16	DY-56RAA-EA	1 AS DS20E 6/833 512MB.Rack.5U.OVMS
1.16.1	3X-BC56C-2F	1 DS20E SCSI Cable Kit
1.16.2	3X-DEEPA-DC	1 PCI to FDDI DAS MMF with SC.Universal
1.16.3	3X-KZPCA-AA	1 Single channel LVD adapter
1.16.4	BA610-6D	1 ES40 Disk Drive Cage. 6-Bay
1.16.4.1	3R-A0585-AA	2 18.2GB Uscsi3 10k Universal disk 1"
1.16.5	CCMAB-AA	1 PCI Mem. Channel-2 Cluster cntrl
1.16.6	FR-H7910-AA	1 Third power supply for DS20E
1.16.7	KN312-BC	1 AS DS20E 6/833 SMP UPG OpenVMS
1.16.8	KZPBA-CB	1 PCI to UltraSCSI Adapter Uwdif
1.16.9	KZPCM-DA	1 Dual Uscsi with FastEther PCI
1.16.10	MS340-DA	1 DS20 512MB SDIMM MEM 4x128MB
1.16.11	SN-PBXGK-BB	1 Elsa Gloria Synergy 8M Video Graphics
1.16.12	TLZ10-LB	1 12/24GB 4mm DAT 5.25" HH
1.17	H9C10-MC	1 Ballast Kit for cabinets
1.18	H9C10-TE	1 Rear cab extender for H9A10 Blue
1.19	H9C10-TF	1 FrontDoorKit Blue for H9A10
1.20	LK461-AF	2 VMS STYLE KEYBOARD. Fin/Swed
1.21	YS-ASCAA-AA	1 M-CAB/SYS/STO Assembly
1.22	YS-ASCRD-AA	1 Factory configured RAID sets of BA370
2	DS-TZ89N-TA	1 35/70GB SE DLT-tape TT FWS
3	BN19C-2E	1 PowerCable 240V. C-Europe
4	BN38C-02	1 Ultra Cbl VHDCI - 68HD

www.Compaq.com/golden-eggs
Since: Apr-2000

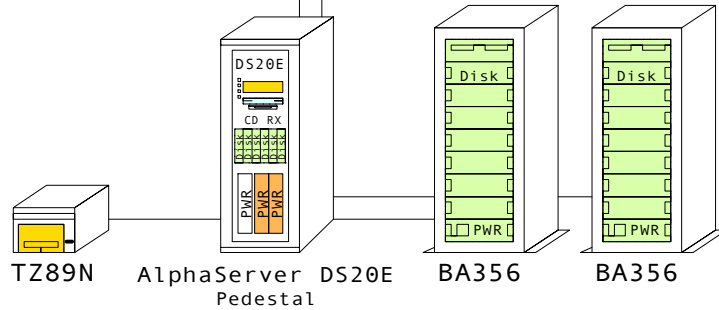
COMPAQ	02-Jul-2001	GTAVDS20EH
	Matti.Patari@Compaq.com	

AlphaServer DS20E OVMS Cluster
GOLDEN EGGS Visuals, Helsinki

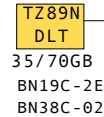
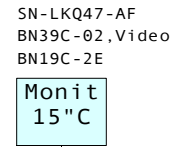
DS20E OVMS

This template is included in the present GOLDEN EGGS Software kit.

FDDI
Ethernet

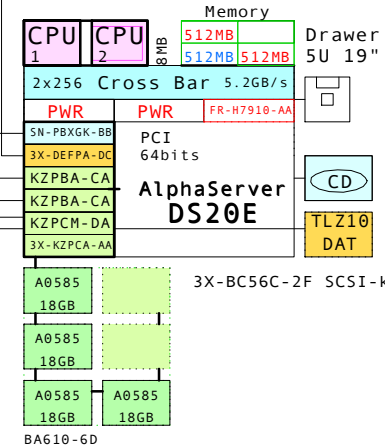


DS20E expanded Linux system



System 3X-BA56P-PB
Mini Tower 667MHz

Linux Ready
833MHz EV68

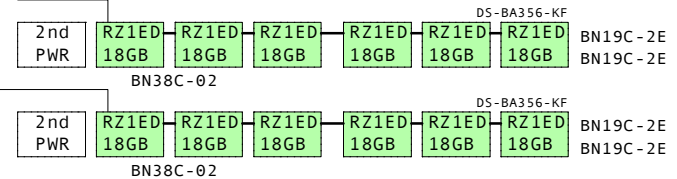


BN19C-2E
BN19C-2E
BN19C-2E

Bill of material

	Part Number	Qty	Description
1	3X-BA56P-PB	1	DS20E Mini tower pedestal kit,667MHz
1.1	DJ-56RAA-EA	1	AS DS20E 6/833 512MB,Rack,5U,Linux
1.1.1	3X-BC56C-2F	1	DS20E SCSI Cable Kit
1.1.2	3X-DEFPA-DC	1	PCI to FDDI DAS MMF with SC,Universal
1.1.3	3X-KZPCA-AA	1	Single channel LVD adapter
1.1.4	BA610-6D	1	ES40 Disk Drive Cage, 6-Bay
1.1.4.1	3R-A0585-AA	4	18.2GB Uscsi3 10K Universal disk 1"
1.1.5	FR-H7910-AA	1	Third power supply for DS20E
1.1.6	KN312-BD	1	AS DS20E 6/833 SMP UPG for Linux
1.1.7	KZPBA-CA	2	PCI to UltraSCSI Adapter UWSE
1.1.8	KZPCM-DA	1	Dual Uscsi with FastEther PCI
1.1.9	MS340-DA	2	DS20 512MB SDIMM MEM 4x128MB
1.1.10	SN-PBXGK-BB	1	Elsa Gloria Synergy 8M Video Graphics
1.1.11	TLZ10-LB	1	12/24GB 4mm DAT 5.25" HH
2	DS-BA356-KF	1	Pedestal Storage, UltraW, Single-Bus
2.1	BN19C-2E	2	PowerCable 240V, C-Europe
2.2	BN38C-02	1	Ultra Cbl VHDCI - 68HD
2.3	CK-BA35X-HH	1	180W Stor.Shelf PWR for AS4x00
2.4	DS-RZ1ED-VW	6	18.2GB 10000r UltraSCSI disk
3	DS-BA356-KF	1	Pedestal Storage, UltraW, Single-Bus
3.1	BN19C-2E	2	PowerCable 240V, C-Europe
3.2	BN38C-02	1	Ultra Cbl VHDCI - 68HD
3.3	CK-BA35X-HH	1	180W Stor.Shelf PWR for AS4x00
3.4	DS-RZ1ED-VW	6	18.2GB 10000r UltraSCSI disk
4	3R-A2832-AA	1	COMPAQ Monitor S510 15" NH, EU
5	DS-TZ89N-TA	1	35/70GB SE DLT-tape TT FWSE
6	BN39C-02	1	1.8 Video Extension Cable ****
7	SN-LKQ47-AF	1	102 KEY KYBD, NON-WIN, Finnish
8	BN19C-2E	5	PowerCable 240V, C-Europe
9	BN38C-02	1	Ultra Cbl VHDCI - 68HD

2x BA356



www.Compaq.com/golden-eggs
Since: Jun-2000

COMPAQ	02-Jul-2001	GTALDS20EF
	Matti.Patari@compaq.com	

AlphaServer DS20E Linux System
GOLDEN EGGs Visuals, Helsinki

This template is included in the present GOLDEN EGGs Software kit.

DS20E Linux

AlphaServer ES45 68/1000 Systems, 64bits 1000MHz

Model	Tru64 UNIX	OpenVMS	Linux Ready
#1 M2 10xPCI	-BA 1GB -CA 2GB -DA 4GB	-BA 1GB -CA 2GB -DA 4GB	-BA 1GB -CA 2GB -DA 4GB

#2 Select Enclosure, Disk Cage, Disk Drive, USCSI Controller, Ethernet and Graphics.

Mini-Tower Enclosure

BA61M-CT	Mini-Tower box
3X-KZPCA-AA	USCSI adapter
BA610-6D	Disk Drive Cage
3R-A0585-AA	Disk 18.2GB 10k
3R-A0919-AA	Disk 36.4GB 10k
3X-DE602-AA	2x Ether 10/100
BN25G-10	Cable, twisted
SN-PBXGF-AB	3DLabs 2D graph
BN19C-2E	Power cord, 3x

Pedestal - M4314R

BA61P-CB	Pedestal cabinet
3X-KZPCA-AA	USCSI adapter
BN38C-02	SCSI cable, 2m
DS-SL13R-AB	Single-buss shelf
3R-A1543-AA	Disk 18.2GB 15k
3X-DE602-AA	2x Ether 10/100
BN25G-10	Cable, twisted
SN-PBXGF-AB	3DLab 2D graph
BN19C-2E	Power cord 3x

Cabinet - M4314R

H9A15-ME/MF	Cabinet US/Europe, 40U
H9C15-ZE	Cabinet rear extender
H9C15-ZF	Cabinet front door
H9C10-MC	Ballast kit, 40lbs
BA61R-CR	Rack mount kit
YS-ASCAA-AA	Factory integration
3X-KZPCA-AA	Ultra2 SCSI adapte, 1-2
BN38C-05	SCSI cable, 5m, 1-2
DS-SL13R-AB	Shelf M4314, single b.
DS-SE2UP-A1	2nd power supply, Int
DS-SL13R-BB	Shelf M4354, dual bus
3R-A1543-AA	Disk 18.2GB 15k
3X-DE602-AA	2x Ether 10/100
BN25G-10	Cable, twisted
SN-PBXGF-AB	3DLabs 2D graph

#3 SVGA color monitor #4 Select keyboard and power cord

15"	3R-VRQV5-24/11
17"	3R-VRQP7-24/23
North/South	
BN39C-02	2m ext. cable

SN-LKQ47	-AE GB	-AG G	-AM S	BN19C-2E Europe
UNIX, Lin	-AB B	-AH NL	-AN N	BN19A-2E GB
	-AD DK	-AI I	-AP F	BN19E-2E CH
LK461	-AF FI	-AK CH	-AS E	BN19K-2E DK
OVMS				BN19Z-2E I

Internal options

Memory expansion

MS620-BA	1GB
MS620-CA	2GB
MS620-DA	4GB

Additional CPUs, Max 4

UNIX	KN610-DB 1000MHz
OVMS	KN610-DC
Linux	KN610-DA

Power supply, 1 optional.

H7906-A9	CPU power
----------	-----------

Internal storage

Tape storage

TLZ10-LB	12/24GB DAT Tape drive
3X-BN46M-01	Multi head SCSI cable

Disk storage

3R-A1543-AA	18GB Universal disk 15k
3R-A3079-AA	36GB Universal disk 15k
3R-A3050-AA	72GB Universal disk 10k

KZPBA-CA	UltraSCSI SE adapter
BN38C-02	2m SCSI cable, 68HD-VHDCI
KZPCM-DA	Dual UltraSCSI+ Ethernet
BN37A-02	2m SCSI cable, VHDCI-VHDCI
KZPAC-CB	RAID 3-port, 8MB cache
KZPSC-UB	Cache battery
KZPAC-SB	Dual cable bulkhead
BN37A-02	2m SCSI cable VHDCI-VHDCI

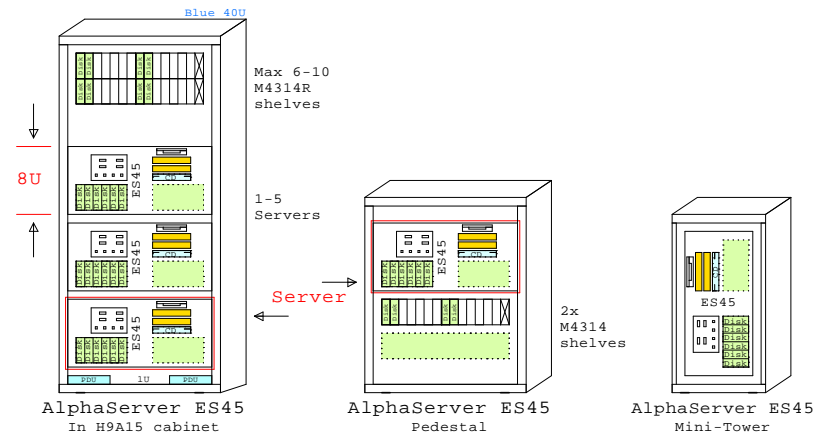
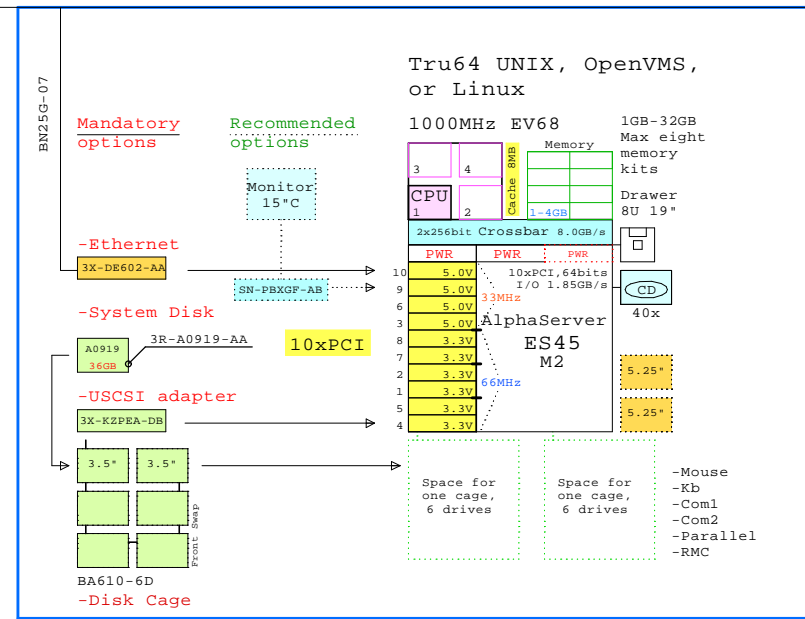
Controllers

3X-DE602-AA	2xEthernet 10/100
DEGPA-SA	Gigabit Ethernet
3X-DEFPA-AC	FDDI adapter, SAS MMF
CCMAB-AA	Memory Channel
CIPCA-BA	CI controller
DS-KGPSA-CA	Fibre Channel adapt
168794-B21	--"

External options

Tape storage, DLT

3X-KZPCA-AA	USCSI adapter LVD
328215-001	68HD-68HD cable 5m
146197-B21	40/80 DLT tape TT
BN19C-2E	Power cord, Europe



SPECint2000	679	Min.ver.	V5.1A
SPECfp2000	960	Tru64 UNIX	V7.3
		OpenVMS	V7.3
		Linux	V2.4

Software Processor Code: E

COMPAQ	05-Mar-2002	GEAES451
	Matti.Patari@compaq.com	

AlphaServer ES45 1000MHz Syst.
GOLDEN EGGS Visuals, Helsinki

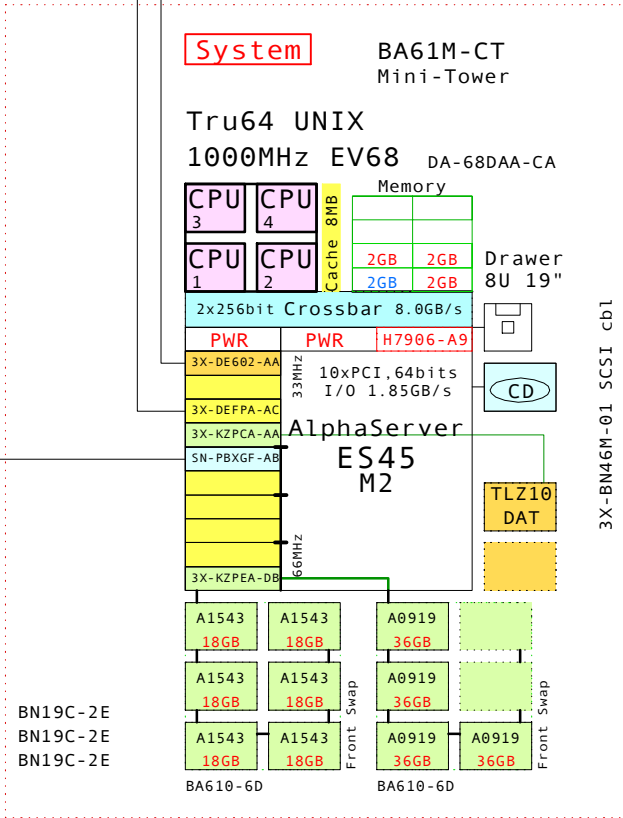
ES45 Model 2 Mini Tower System

Ethernet

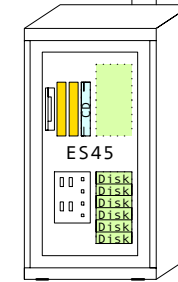
FDDI

BN19C-2E
SN-LKQ47-AF
BN39C-02, Video

Monit
15" C



BN19C-2E
BN19C-2E
BN19C-2E



AlphaServer ES45
Mini-Tower

Bill of material of this Tower system

	Part Number	Qty	Description
1	BA61M-CT	1	ES45 Mini-Tower Enclosure
1.1	3X-BN46M-01	1	SCSI cable for Tape
1.2	BN19C-2E	3	PowerCable 240V, C-Europe
1.3	DA-68DAA-CA	1	ES45 68/1000 Model 2 2GB UNIX 10PCI DWR
1.3.1	3X-DE602-AA	1	10/100 2xChannel Ethernet, Twisted
1.3.2	3X-DEFPA-AC	1	PCI to FDDI SAS MMF with SC, Universal
1.3.3	3X-KZPCA-AA	1	Single channel LVD adapter
1.3.4	3X-KZPEA-DB	1	PCI 2-chan SCSI Ultra3 LVD
1.3.5	BA610-6D	1	ES40 Disk Drive Cage, 6-Bay
1.3.5.1	3R-A1543-AA	6	18.2GB Uscsi3 15k Universal disk 1"
1.3.6	BA610-6D	1	ES40 Disk Drive Cage, 6-Bay
1.3.6.1	3R-A0919-AA	4	36.4GB Uscsi3 10k Universal disk 1"
1.3.7	H7906-A9	1	ES40 Power Sply, 2nd or 3rd
1.3.8	KN610-DB	3	ES45 68/1000MHZ UNIX SMP 8mb cache
1.3.9	MS620-CA	3	ES45 2GB Memory Option
1.3.10	SN-PBXGF-AB	1	3DLabs Oxygen VXI 32MB PCI 2D graphics
1.3.11	TLZ10-LB	1	12/24GB 4mm DAT 5.25" HH
2	3R-A2832-AA	1	COMPAQ Monitor S510 15" NH, EU
2.1	BN39C-02	1	1.8 Video Extension Cable ****
3	SN-LKQ47-AF	1	102 KEY KYBD, NON-WIN, Finnish
4	BN19C-2E	1	PowerCable 240V, C-Europe

www.Compaq.com/golden-eggs
Since: Sep-2001

COMPAQ

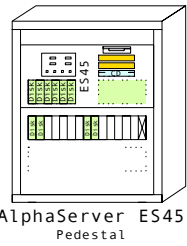
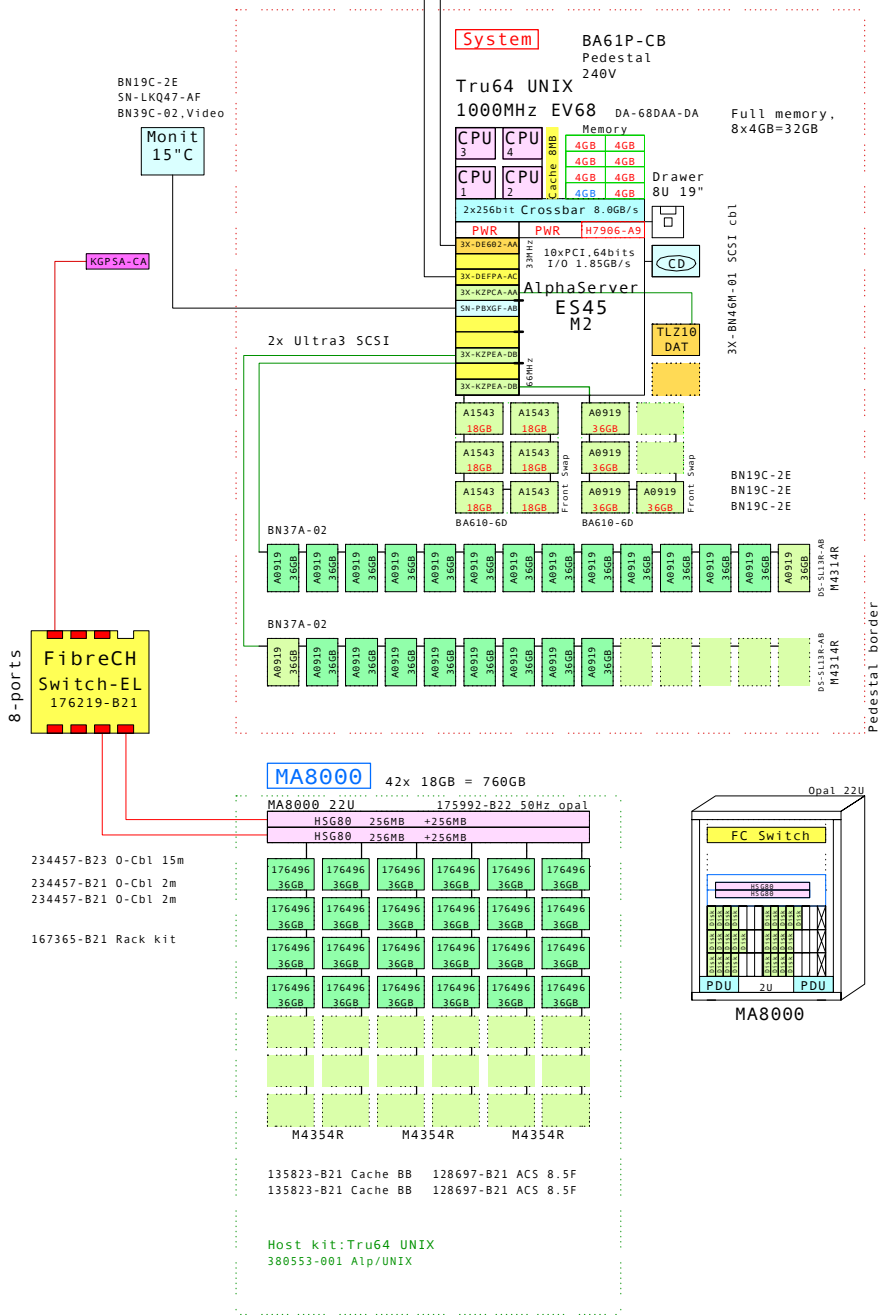
08-Oct-2001 | GTAUES451
Matti.Patari@compaq.com

ES45 UNIX

AlphaServer ES45 Mini Tower
GOLDEN EGGs Visuals, Helsinki

Ethernet
FDDI

ES45 Model 2 Pedestal System



AlphaServer ES45 Pedestal

Bill of material for the base Pedestal

Part Number	Qty	Description
1	1	BA61P-CB ES45 Pedestal Enclosure 240V Europe
1.1	1	3X-BN46M-01 SCSI cable for Tape
1.2	3	BN19C-2E PowerCable 240V, C-Europe
1.3	2	BN37A-02 Ultra Cbl VHDCI - VHDCI
1.4	1	DA-68DAA-DA ES45 68/1000 Model 2 4GB UNIX 10PCI DWR
1.4.1	1	10/100 2xChannel Ethernet, Twisted
1.4.2	1	PCI to FDDI SAS MMF with SC,Universal
1.4.3	1	Single channel LVD adapter
1.4.4	2	PCI 2-chan SCSI Ultra3 LVD
1.4.5	1	ES40 Disk Drive Cage, 6-Bay
1.4.5.1	6	18.2GB Uscsi3 15k Universal disk 1"
1.4.6	1	ES40 Disk Drive Cage, 6-Bay
1.4.6.1	4	36.4GB Uscsi3 10k Universal disk 1"
1.4.7	1	ES40 Power Syply, 2nd or 3rd
1.4.8	3	ES45 68/1000MHz UNIX SMP 8mb cache
1.4.9	7	ES45 4GB Memory Option
1.4.10	1	3Dlabs Oxygen VXI 32MB PCI 2D graphics
1.4.11	1	12/24GB 4mm DAT 5.25" HH
1.5	1	Modula M4314R single buss,14x 1.0" Int
1.5.1	9	36.4GB Uscsi3 10k Universal disk 1"
1.6	1	Modula M4314R single buss,14x 1.0" Int
1.6.1	14	36.4GB Uscsi3 10k Universal disk 1"
2	1	3R-A2832-AA COMPAQ Monitor S510 15" NH, EU
2.1	1	BN39C-02 1.8 Video Extension Cable ****
3	1	SN-LKQ47-AF 102 KEY KYBD, NON-WIN, Finnish
4	1	BN19C-2E PowerCable 240V, C-Europe

BOM for the external RA8000 RAID

Part Number	Qty	Description
1	1	175992-B22 MA8000 6x7 22U 50Hz opal
1.1	2	ACS V8.5F controller FCAL/FCSW
1.2	2	HSGxx Single external cache battery
1.3	24	176496-B22 36GB 10000r Ultra3 SCSI disk 1"
1.4	1	176622-B21 HSG80 FC Contr with 256MB cache
1.4.1	1	Cache Upg RA8k ESA12k 256MB
1.5	1	176622-B21 HSG80 FC Contr with 256MB cache
1.5.1	1	Cache Upg RA8k ESA12k 256MB
1.6	1	380553-001 OS Platf. Softw. Kit for FC Alpha UNIX
2	1	176219-B21 SAN Switch EL 8-Ports
3	1	234457-B23 Fibre Channel 15m Optical Cable
4	1	167365-B21 Rack mount kit for SAN switch
5	2	234457-B21 Fibre Channel 02m Optical Cable
6	1	168794-B21 Host Buss Cntr KGPSA-CA,OVMS,UNIX

www.Compaq.com/golden-eggs
Since: Oct-2001

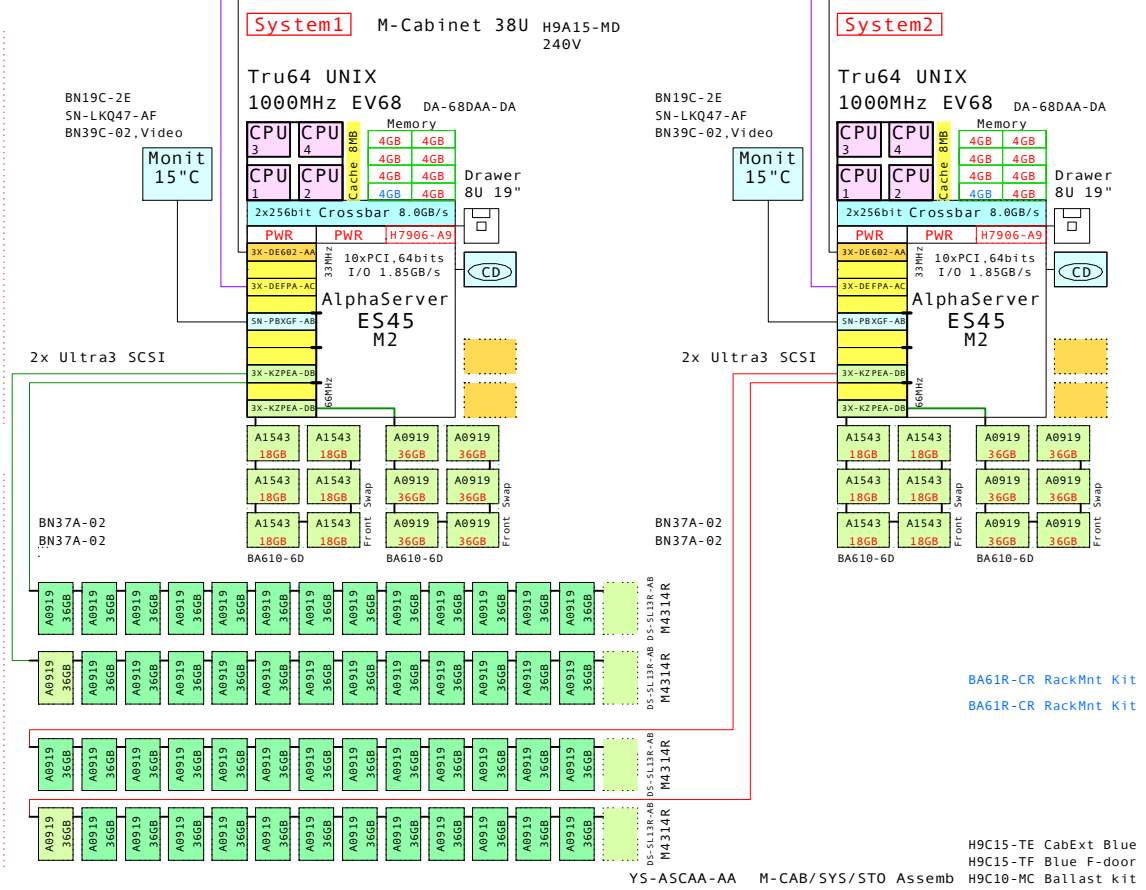
COMPAQ 15-Oct-2001 GTAUES452
Matti.Patari@compaq.com

AlphaServer ES45 UNIX Pedestal
GOLDEN EGG Visuals, Helsinki

Ethernet

FDDI

ES45 Model 2 Systems in Cabinet M15

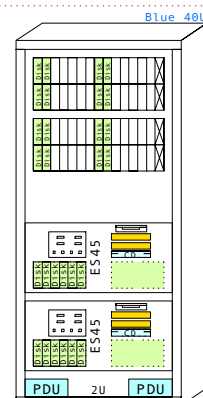


Bill of material for Cabinet and System 1

Part Number	Qty	Description
H9A15-MD	1	M-Series Cab,H9A15,Blue,240V 38U
1.1	3R-A2832-AA	1 COMPAQ Monitor 5510 15" NH, EU
1.2	BN19C-2E	1 PowerCable 240V, C-Europe
1.3	BN37A-02	2 Ultra Cbl VHDCI - VHDCI
1.4	BN39C-02	1 1.8 Video Extension Cable ****
1.5	DA-68DAA-DA	1 ES45 68/1000 Model 2 4GB UNIX 10PCI DWR
1.5.1	3X-DE602-AA	1 10/100 2xChannel Ethernet, Twisted
1.5.2	3X-DEFPA-AC	1 PCI to FDDI SAS MMF with SC.Universal
1.5.3	3X-KZPEA-DB	2 PCI 2-chan SCSI Ultra3 LVD
1.5.4	BA610-6D	1 ES40 Disk Drive Cage, 6-Bay
1.5.4.1	3R-A1543-AA	6 18.2GB Uscsi3 15k Universal disk 1"
1.5.5	BA610-6D	1 ES40 Disk Drive Cage, 6-Bay
1.5.5.1	3R-A0919-AA	6 36.4GB Uscsi3 10k Universal disk 1"
1.5.6	H7906-A9	1 ES40 Power Sply, 2nd or 3rd
1.5.7	KN610-DB	3 ES45 68/1000MHz UNIX SMP 8mb cache
1.5.8	MS620-DA	7 ES45 4GB Memory Option
1.5.9	SN-PBXGF-AB	1 3DLabs Oxygen VXI 32MB PCI 2D graphics
1.6	DS-SL13R-AB	1 Modula M4314R single buss,14x 1.0" Int
1.6.1	3R-A0919-AA	13 36.4GB Uscsi3 10k Universal disk 1"
1.7	DS-SL13R-AB	1 Modula M4314R single buss,14x 1.0" Int
1.7.1	3R-A0919-AA	13 36.4GB Uscsi3 10k Universal disk 1"
1.8	DS-SL13R-AB	1 Modula M4314R single buss,14x 1.0" Int
1.8.1	3R-A0919-AA	13 36.4GB Uscsi3 10k Universal disk 1"
1.9	DS-SL13R-AB	1 Modula M4314R single buss,14x 1.0" Int
1.9.1	3R-A0919-AA	13 36.4GB Uscsi3 10k Universal disk 1"
1.10	H9C10-MC	1 Ballast Kit for cabinets
1.11	H9C15-TE	1 Rear cab extender for H9A15 Blue
1.12	H9C15-TF	1 FrontDoorKit Blue for H9A15
1.13	SN-LK047-AF	1 102 KEY KYBD_NON-WIN, Finnish
1.14	YS-ASCAA-AA	1 M-CAB/SYS/STO Assembly

Bill of material for System 2

Part Number	Qty	Description
1	DA-68DAA-DA	1 ES45 68/1000 Model 2 4GB UNIX 10PCI DWR
1.1	3X-DE602-AA	1 10/100 2xChannel Ethernet, Twisted
1.2	3X-DEFPA-AC	1 PCI to FDDI SAS MMF with SC.Universal
1.3	3X-KZPEA-DB	2 PCI 2-chan SCSI Ultra3 LVD
1.4	BA610-6D	1 ES40 Disk Drive Cage, 6-Bay
1.4.1	3R-A1543-AA	6 18.2GB Uscsi3 15k Universal disk 1"
1.5	BA610-6D	1 ES40 Disk Drive Cage, 6-Bay
1.5.1	3R-A0919-AA	6 36.4GB Uscsi3 10k Universal disk 1"
1.6	H7906-A9	1 ES40 Power Sply, 2nd or 3rd
1.7	KN610-DB	3 ES45 68/1000MHz UNIX SMP 8mb cache
1.8	MS620-DA	7 ES45 4GB Memory Option
1.9	SN-PBXGF-AB	1 3DLabs Oxygen VXI 32MB PCI 2D graphics
2	DS-SL13R-AB	1 Modula M4314R single buss,14x 1.0" Int
2.1	3R-A0919-AA	13 36.4GB Uscsi3 10k Universal disk 1"
3	DS-SL13R-AB	1 Modula M4314R single buss,14x 1.0" Int
3.1	3R-A0919-AA	13 36.4GB Uscsi3 10k Universal disk 1"
4	3R-A2832-AA	1 COMPAQ Monitor 5510 15" NH, EU
5	BA61R-CR	1 ES45 Rackmount Kit, 3x pwr_cords
6	BN39C-02	1 1.8 Video Extension Cable ****
7	SN-LK047-AF	1 102 KEY KYBD_NON-WIN, Finnish
8	BN19C-2E	1 PowerCable 240V, C-Europe
9	BN37A-02	2 Ultra Cbl VHDCI - VHDCI



This template is included in the present GOLDEN EGGS Software kit.

AlphaServer ES45
In H9A15 cabinet

ES45 UNIX

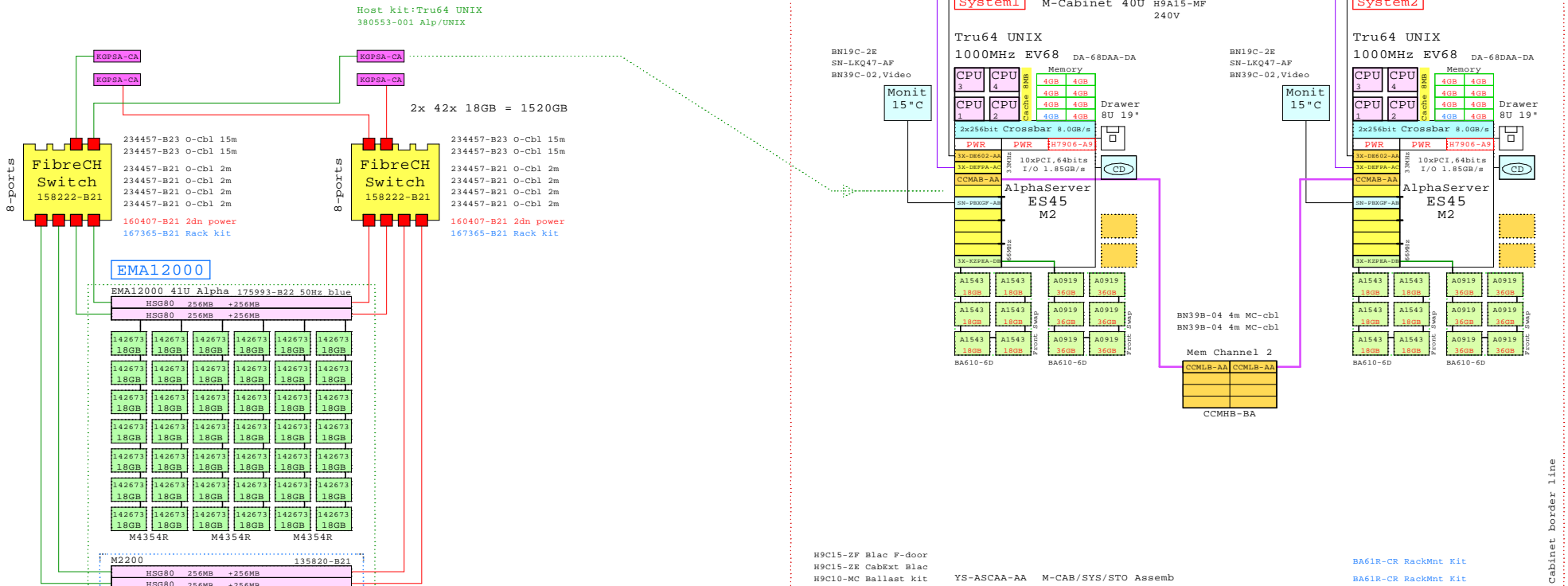
www.Compaq.com/golden-eggs
Since:Oct-2001

COMPAQ	15-Oct-2001	GTAUES453
	Matti.Patari@compaq.com	

AlphaServer ES45 UNIX Cabinet
GOLDEN EGGS Visuals, Helsinki

ES45 Model 2 TruCluster with external storage

Ethernet
FDDI

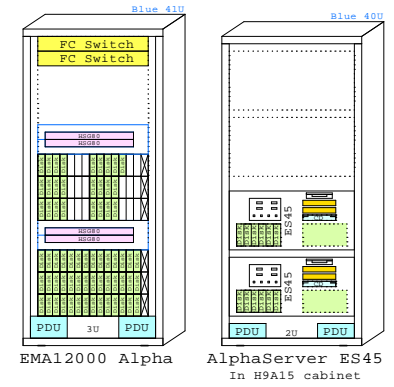


BOM of External Storage

Part Number	Qty	Description
1	17593-B27	1 EMA12000 Ext 41U 50Hz blue
1.1	128697-B21	2 ACS V8.5F controller FCAL/PCSW
1.2	135820-B21	1 Modula M2200 shelf, NO controller
1.2.1	128697-B21	2 ACS V8.5F controller FCAL/PCSW
1.2.2	135823-B21	2 HSGXX Single external cache battery
1.2.3	168256-B21	6 SCSI cable VHD1-VHDC1, 1m
1.2.4	176622-B21	1 HSG80 FC Contr with 256MB cache
1.2.4.1	380674-B21	1 Cache Upg RABK ESA12K 256MB
1.2.5	176622-B21	1 HSG80 FC Contr with 256MB cache
1.2.5.1	380674-B21	1 Cache Upg RABK ESA12K 256MB
1.2.6	190211-B31	1 Modula M4354R dual buss, 7+7, 1.0"
1.2.6.1	142673-B22	8 18.2GB 10000r Ultra3 SCSI disk 1"
1.2.7	190211-B31	1 Modula M4354R dual buss, 7+7, 1.0"
1.2.7.1	142673-B22	8 18.2GB 10000r Ultra3 SCSI disk 1"
1.2.8	190211-B31	1 Modula M4354R dual buss, 7+7, 1.0"
1.2.8.1	142673-B22	9 18.2GB 10000r Ultra3 SCSI disk 1"
1.3	135823-B21	2 HSGXX Single external cache battery
1.4	142673-B22	42 18.2GB 10000r Ultra3 SCSI disk 1"
1.5	176622-B21	1 HSG80 FC Contr with 256MB cache
1.5.1	380674-B21	1 Cache Upg RABK ESA12K 256MB
1.6	176622-B21	1 HSG80 FC Contr with 256MB cache
1.6.1	380674-B21	1 Cache Upg RABK ESA12K 256MB
2	158222-B21	1 SAN Switch 8 Ports
2.1	380561-B21	6 FC Optical Short Wave GRIC 500
2.2	158222-B21	1 SAN Switch 8 Ports
3	380561-B21	6 FC Optical Short Wave GRIC 500
4	160407-B21	2 SAN switch redundant power supply
5	234457-B23	4 Fibre Channel 15m Optical Cable
6	167365-B21	2 Rack mount kit for SAN switch
7	234457-B21	8 Fibre Channel 02m Optical Cable
8	380553-001	1 OS Platf Softw Kit for FC Alpha UNIX
9	168794-B21	4 Host Bus Cntr KPQSA-CA,OVMS,UNIX

BOM of Dual ES45 Cabinet

Part Number	Qty	Description
1	H9A15-MP	1 M-Series Cab,H9A15,Black,240V 40U
1.1	3R-A2832-AA	2 COMPAQ Monitor 8510 15" NH, EU
1.2	BA61R-CK	2 ES45 Rackmount Kit, 3x pwr cords
1.3	BN19C-2E	2 PowerCable 240V, C-Europe
1.4	BN39B-04	2 04m copper cbl for CCMAB Mem,Chan
1.5	BN19C-02	2 1.8 Video Extension Cable****
1.6	CCMHB-BA	1 Hub for Mem Chan-2 w NO linecards
1.6.1	CCMLB-AA	2 Line Card for CCMHB Mem.Chann-2 Hub
1.7	DA-68DAA-DA	1 ES45 68/1000 Model 2 4GB UNIX 10PCI DWR
1.7.1	3X-DE602-AA	1 10/100 2xChannel Ethernet, Twisted
1.7.2	3X-DEPPA-AC	1 PCI to FDDI SAS MMF with SC,Universal
1.7.3	3X-KZPFA-DB	1 PCI 2chan SCSI Ultra3 LVD
1.7.4	BA610-6D	1 ES40 Disk Drive Cage, 6-Bay
1.7.4.1	3R-A1543-AA	6 18.2GB Uscsi3 15k Universal disk 1"
1.7.5	BA610-6D	1 ES40 Disk Drive Cage, 6-Bay
1.7.5.1	3R-A0919-AA	6 36.4GB Uscsi3 10k Universal disk 1"
1.7.6	CCMAB-AA	1 PCI Mem. Channel-2 Cluster cntrl
1.7.7	H7906-AA	1 ES40 Power Sply, 2nd or 3rd
1.7.8	MS620-DA	3 ES45 68/100MHz UNIX SMP 8mb cache
1.7.9	MS620-DA	7 ES45 4GB Memory Option
1.7.10	SN-PBXGF-AB	1 3DLabs Oxygen VXI 32MB PCI 2D graphics
1.8	DA-68DAA-DA	1 ES45 68/1000 Model 2 4GB UNIX 10PCI DWR
1.8.1	3X-DE602-AA	1 10/100 2xChannel Ethernet, Twisted
1.8.2	3X-DEPPA-AC	1 PCI to FDDI SAS MMF with SC,Universal
1.8.3	3X-KZPFA-DB	1 PCI 2chan SCSI Ultra3 LVD
1.8.4	BA610-6D	1 ES40 Disk Drive Cage, 6-Bay
1.8.4.1	3R-A1543-AA	6 18.2GB Uscsi3 15k Universal disk 1"
1.8.5	BA610-6D	1 ES40 Disk Drive Cage, 6-Bay
1.8.5.1	3R-A0919-AA	6 36.4GB Uscsi3 10k Universal disk 1"
1.8.6	CCMAB-AA	1 PCI Mem. Channel-2 Cluster cntrl
1.8.7	H7906-AA	1 ES40 Power Sply, 2nd or 3rd
1.8.8	MS620-DA	3 ES45 68/100MHz UNIX SMP 8mb cache
1.8.9	MS620-DA	7 ES45 4GB Memory Option
1.8.10	SN-PBXGF-AB	1 3DLabs Oxygen VXI 32MB PCI 2D graphics
1.9	H9C10-MC	1 Ballast Kit for cabinets
1.10	H9C15-2E	1 Rear cab extender for H9A15 Black
1.11	BN19C-02	1 Frontport Kit Black for H9A15
1.12	SN-LKQ47-AF	2 102 KEY KVBD,NON-WIN, Finnish
1.13	YS-ASCAA-AA	1 M-CAB/SYS/STO Assembly



www.Compaq.com/golden-eggs
Since: Oct-2001

COMPAQ 05-Mar-2002 GTAUES45
Matti.Patari@compaq.com

ES45 UNIX AlphaServer ES45 UNIX Cluster
GOLDEN EGGS Visuals, Helsinki

This template is included in the present GOLDEN EGGS Software kit.

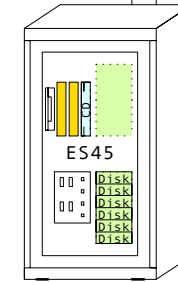
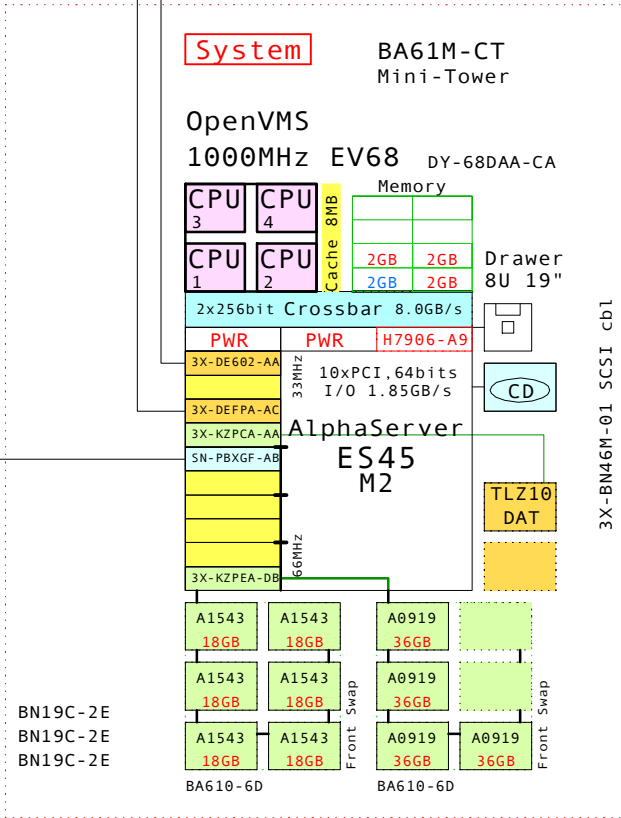
ES45 Model 2 Mini Tower System

Ethernet

FDDI

BN19C-2E
LK461-AF
BN39C-02, Video

Monit
15" C



AlphaServer ES45
Mini-Tower

Bill of material of this Tower system

	Part Number	Qty	Description
1	BA61M-CT	1	ES45 Mini-Tower Enclosure
1.1	3X-BN46M-01	1	SCSI cable for Tape
1.2	BN19C-2E	3	PowerCable 240V, C-Europe
1.3	DY-68DAA-CA	1	ES45 68/1000 Model 2 2GB OVMS 10PCI DWR
1.3.1	3X-DE602-AA	1	10/100 2xChannel Ethernet, Twisted
1.3.2	3X-DEFPA-AC	1	PCI to FDDI SAS MMF with SC, Universal
1.3.3	3X-KZPCA-AA	1	Single channel LVD adapter
1.3.4	3X-KZPEA-DB	1	PCI 2-chan SCSI Ultra3 LVD
1.3.5	BA610-6D	1	ES40 Disk Drive Cage, 6-Bay
1.3.5.1	3R-A1543-AA	6	18.2GB Uscsi3 15k Universal disk 1"
1.3.6	BA610-6D	1	ES40 Disk Drive Cage, 6-Bay
1.3.6.1	3R-A0919-AA	4	36.4GB Uscsi3 10k Universal disk 1"
1.3.7	H7906-A9	1	ES40 Power Sply, 2nd or 3rd
1.3.8	KN610-DC	3	ES45 68/1000MHz OVMS SMP 8mb cache
1.3.9	MS620-CA	3	ES45 2GB Memory Option
1.3.10	SN-PBXGF-AB	1	3DLabs Oxygen VXI 32MB PCI 2D graphics
1.3.11	TLZ10-LB	1	12/24GB 4mm DAT 5.25" HH
2	3R-A2832-AA	1	COMPAQ Monitor S510 15" NH, EU
2.1	BN39C-02	1	1.8 Video Extension Cable ****
3	BN19C-2E	1	PowerCable 240V, C-Europe
4	LK461-AF	1	VMS STYLE KEYBOARD, Fin/Swed

www.Compaq.com/golden-eggs
Since: Sep-2001

COMPAQ

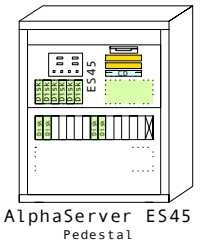
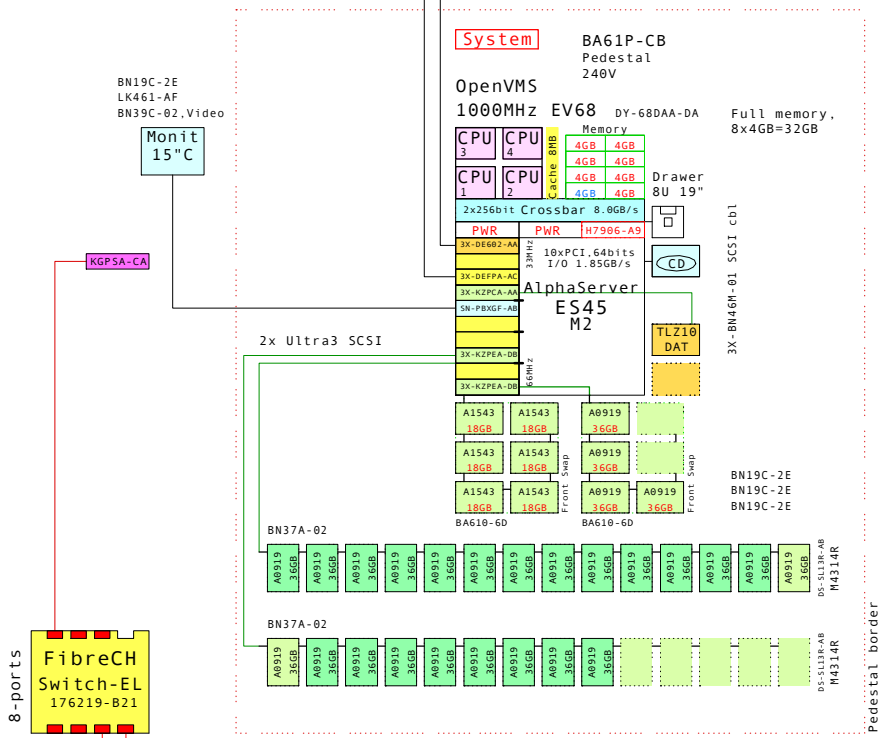
08-Oct-2001 GTAVES451
Matti.Patari@compaq.com

ES45 OVMS

AlphaServer ES45 Mini Tower
GOLDEN EGGS Visuals, Helsinki

Ethernet
FDDI

ES45 Model 2 Pedestal System



Bill of material for the base Pedestal

Part Number	Qty	Description
1	1	BA61P-CB ES45 Pedestal Enclosure 240V Europe
1.1	1	3X-BN46M-01 SCSI cable for Tape
1.2	3	BN19C-2E PowerCable 240V, C-Europe
1.3	2	BN37A-02 Ultra Cbl VHDCI - VHDCI
1.4	1	D5-SL13R-AB Modula M4314R single buss,14x 1.0" Int
1.4.1	9	3R-A0919-AA 36.4GB Uscsi3 10k Universal disk 1"
1.5	1	D5-SL13R-AB Modula M4314R single buss,14x 1.0" Int
1.5.1	14	3R-A0919-AA 36.4GB Uscsi3 10k Universal disk 1"
1.6	1	DY-68DAA-DA ES45 68/1000 Model 2 4GB OVMS 10PCI DWR
1.6.1	1	3X-DE602-AA 10/100 2xChannel Ethernet, Twisted
1.6.2	1	3X-DEFFA-AC PCI to FDDI SAS MMF with SC,Universal
1.6.3	1	3X-KZPCA-AA Single channel LVD adapter
1.6.4	2	3X-KZPEA-DB PCI 2-chann SCSI Ultra3 LVD
1.6.5	1	BA610-6D ES40 Disk Drive Cage, 6-Bay
1.6.5.1	6	3R-A1543-AA 18.2GB Uscsi3 15k Universal disk 1"
1.6.6	1	BA610-6D ES40 Disk Drive Cage, 6-Bay
1.6.6.1	4	3R-A0919-AA 36.4GB Uscsi3 10k Universal disk 1"
1.6.7	1	H7906-A9 ES40 Power Sypl, 2nd or 3rd
1.6.8	3	KN610-DC ES45 68/1000MHz OVMS SMP 8mb cache
1.6.9	7	MS620-DA ES45 4GB Memory Option
1.6.10	1	SN-PBXGF-AB 3DLabs Oxygen VXI 32MB PCI 2D graphics
1.6.11	1	TLZ10-LB 12/24GB 4mm DAT 5.25" HH
2	1	3R-A2832-AA COMPAQ Monitor S510 15" NH, EU
2.1	1	BN39C-02 1.8 Video Extension Cable ****
3	1	BN19C-2E PowerCable 240V, C-Europe
4	1	LK461-AF VMS STYLE KEYBOARD, Fin/Swed

BOM for the external RA8000 RAID

Part Number	Qty	Description
1	1	175992-B22 MA8000 6x7 22U 50Hz opal
1.1	2	128697-B21 ACS V8.5F controller FCAL/FCSW
1.2	2	HSGxx Single external cache battery
1.3	24	176496-B22 36GB 10000r Ultra3 SCSI disk 1"
1.4	1	176622-B21 HSG80 FC Contr with 256MB cache
1.4.1	1	380674-B21 Cache Upg RA8k ESA12k 256MB
1.5	1	176622-B21 HSG80 FC Contr with 256MB cache
1.5.1	1	380674-B21 Cache Upg RA8k ESA12k 256MB
1.6	1	380555-001 OS Platf.Softw.Kit for FC Alpha OVMS
2	1	176219-B21 SAN Switch EL 8-Ports
3	1	234457-B23 Fibre Channel 15m Optical Cable
4	1	167365-B21 Rack mount kit for SAN switch
5	2	234457-B21 Fibre Channel 02m Optical Cable
6	1	168794-B21 Host Buss Cntr KGPSA-CA,OVMS,UNIX

www.Compaq.com/golden-eggs
Since: Oct-2001

COMPAQ 15-Oct-2001 GTAVES452
Matti.Patari@compaq.com

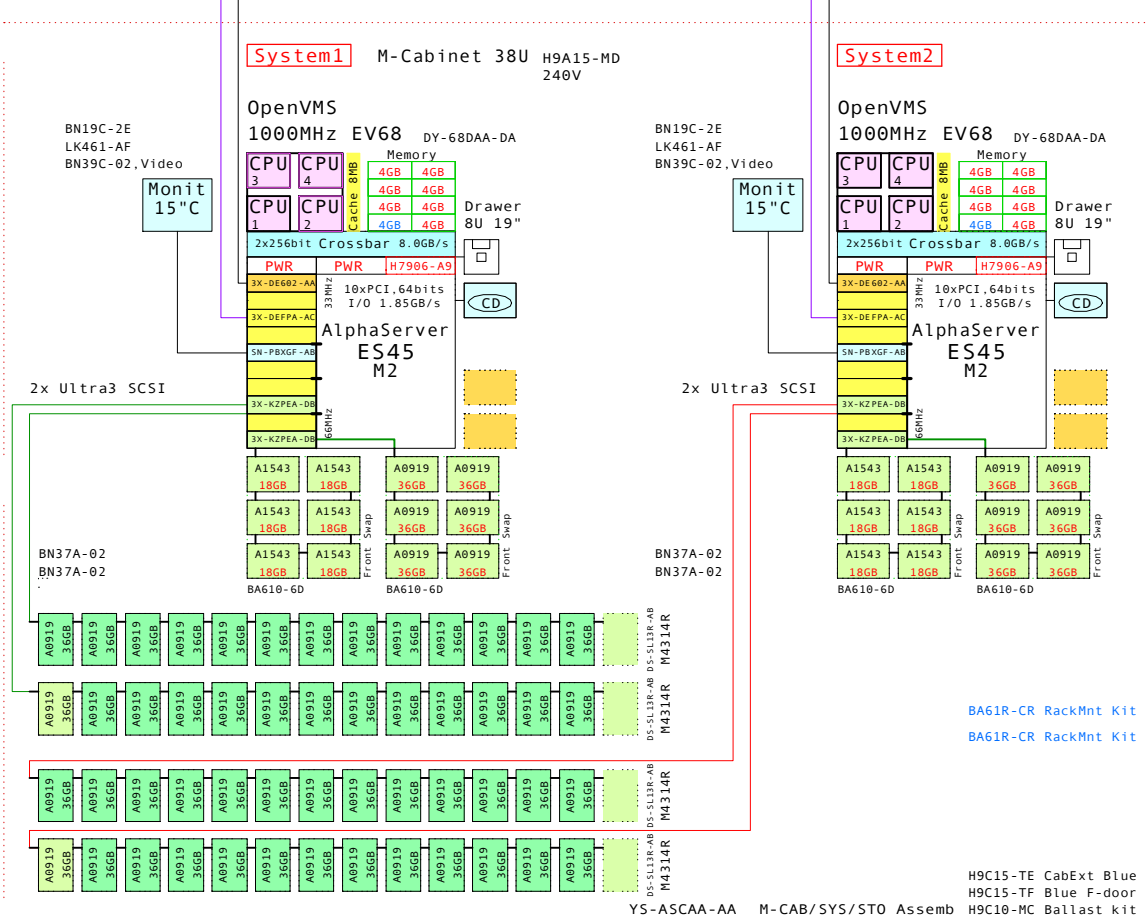
ES45 OVMS AlphaServer ES45 OVMS Pedestal
GOLDEN EGG Visuals, Helsinki

This template is included in the present GOLDEN EGGs Software kit.

ES45 Model 2 Systems in Cabinet M15

Ethernet

FDDI

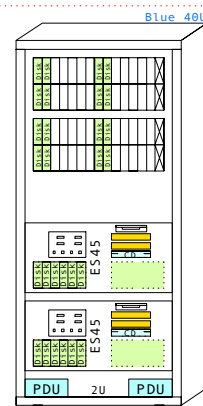


Bill of material for Cabinet and System 1

Part Number	Qty	Description
1	1	H9A15-MD 1 M-Series Cab,H9A15,Blue,240V 38U
1.1	1	3R-A2832-AA 1 COMPAQ Monitor 5510 15" NH, EU
1.2	1	BA61R-CR 1 ES45 Rackmount Kit, 3x pwr cords
1.3	1	BN19C-2E 1 PowerCable 240V, C-Europe
1.4	2	BN37A-02 2 Ultra Cbl VHDCI - VHDCI
1.5	1	BN39C-02 1 1.8 Video Extension Cable ****
1.6	1	DS-SL13R-AB 1 Modula M4314R single buss,14x 1.0" Int
1.6.1	13	3R-A0919-AA 13 36.4GB Uscs13 10k Universal disk 1"
1.7	1	DS-SL13R-AB 1 Modula M4314R single buss,14x 1.0" Int
1.7.1	13	3R-A0919-AA 13 36.4GB Uscs13 10k Universal disk 1"
1.8	1	DY-68DAA-DA 1 ES45 68/1000 Model 2 4GB OVMS 10PCI DWR
1.8.1	1	3X-DE602-AA 1 10/100 2xChannel Ethernet, Twisted
1.8.2	1	3X-DEFPA-AC 1 PCI to FDDI SAS MMF with SC,Universal
1.8.3	2	3X-KZPEA-DB 2 PCI 2-chan SCSI Ultra3 LVD
1.8.4	1	BA610-6D 1 ES40 Disk Drive Cage, 6-Bay
1.8.4.1	6	3R-A1543-AA 6 18.2GB Uscs13 15k Universal disk 1"
1.8.5	1	BA610-6D 1 ES40 Disk Drive Cage, 6-Bay
1.8.5.1	6	3R-A0919-AA 6 36.4GB Uscs13 10k Universal disk 1"
1.8.6	1	H7906-A9 1 ES40 Power Sply, 2nd or 3rd
1.8.7	3	KN610-DC 3 ES45 68/1000MHz OVMS SMP 8mb cache
1.8.8	7	MS620-DA 7 ES45 4GB Memory Option
1.8.9	1	SN-PBXGF-AB 1 3DLabs Oxygen VXI 32MB PCI 2D graphics
1.9	1	H9C10-MC 1 Ballast Kit for cabinets
1.10	1	H9C15-TE 1 Rear cab extender for H9A15 Blue
1.11	1	H9C15-TF 1 FrontDoorKit Blue for H9A15
1.12	1	LK461-AF 1 VMS STYLE KEYBOARD, Fin/Swed
1.13	1	YS-ASCAA-AA 1 M-CAB/SYS/STO Assembly

Bill of material for System 2

Part Number	Qty	Description
1	1	DY-68DAA-DA 1 ES45 68/1000 Model 2 4GB OVMS 10PCI DWR
1.1	1	3X-DE602-AA 1 10/100 2xChannel Ethernet, Twisted
1.2	1	3X-DEFPA-AC 1 PCI to FDDI SAS MMF with SC,Universal
1.3	2	3X-KZPEA-DB 2 PCI 2-chan SCSI Ultra3 LVD
1.4	1	BA610-6D 1 ES40 Disk Drive Cage, 6-Bay
1.4.1	6	3R-A1543-AA 6 18.2GB Uscs13 15k Universal disk 1"
1.5	1	BA610-6D 1 ES40 Disk Drive Cage, 6-Bay
1.5.1	6	3R-A0919-AA 6 36.4GB Uscs13 10k Universal disk 1"
1.6	1	H7906-A9 1 ES40 Power Sply, 2nd or 3rd
1.7	3	KN610-DC 3 ES45 68/1000MHz OVMS SMP 8mb cache
1.8	7	MS620-DA 7 ES45 4GB Memory Option
1.9	1	SN-PBXGF-AB 1 3DLabs Oxygen VXI 32MB PCI 2D graphics
2	1	DS-SL13R-AB 1 Modula M4314R single buss,14x 1.0" Int
2.1	13	3R-A0919-AA 13 36.4GB Uscs13 10k Universal disk 1"
3	1	DS-SL13R-AB 1 Modula M4314R single buss,14x 1.0" Int
3.1	13	3R-A0919-AA 13 36.4GB Uscs13 10k Universal disk 1"
4	1	3R-A2832-AA 1 COMPAQ Monitor 5510 15" NH, EU
5	1	BA61R-CR 1 ES45 Rackmount Kit, 3x pwr cords
6	1	BN39C-02 1 1.8 Video Extension Cable ****
7	1	BN19C-2E 1 PowerCable 240V, C-Europe
8	2	BN37A-02 2 Ultra Cbl VHDCI - VHDCI
9	1	LK461-AF 1 VMS STYLE KEYBOARD, Fin/Swed



AlphaServer ES45 In H9A15 cabinet

ES45 OVMS

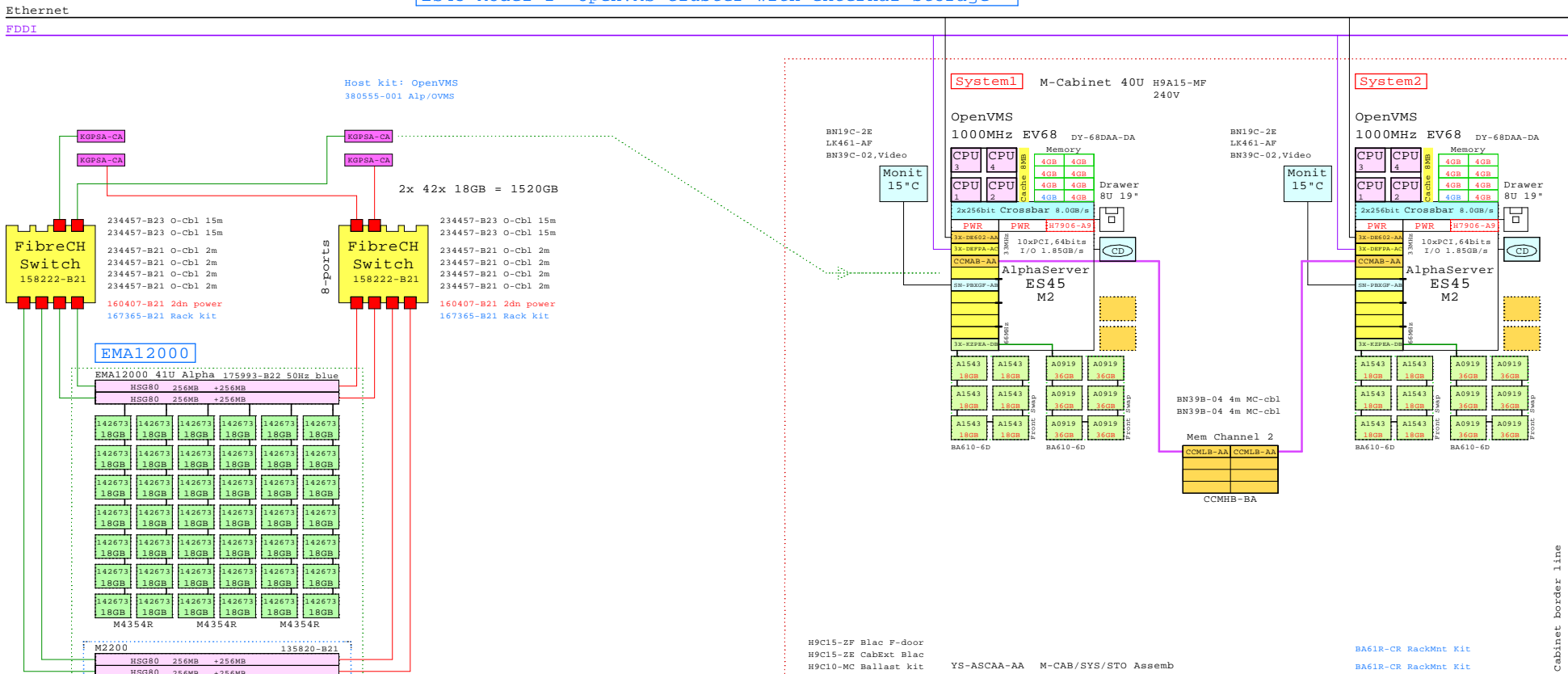
This template is included in the present GOLDEN EGGS Software kit.

www.Compaq.com/golden-eggs
Since: Oct-2001

COMPAQ 15-Oct-2001 GTAVES453
Matti.Patari@Compaq.com

AlphaServer ES45 OVMS Cabinet
GOLDEN EGGS Visuals, Helsinki

ES45 Model 2 OpenVMS Cluster with external storage

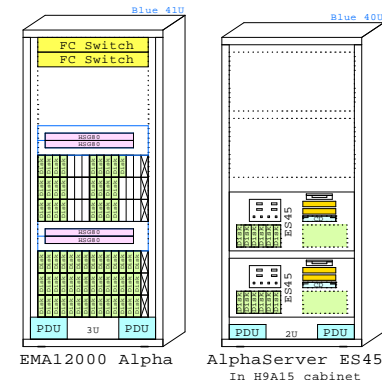


BOM of External Storage

Part Number	Qty	Description
1	1	17593-B27 1 EMA1200 Ext 41U 50Hz blue
1.1	2	128697-B21 2 ACS V8.5F controller FCAL/PCSW
1.2	1	135820-B21 1 Modula M2200 shelf, NO controller
1.2.1	2	128697-B21 2 ACS V8.5F controller FCAL/PCSW
1.2.2	2	135823-B21 2 HSGXX Single external cache battery
1.2.3	6	168256-B21 6 SCSI cable VHDCl-VHDCl, 1m
1.2.4	1	176622-B21 1 HSG80 FC Contr with 256MB cache
1.2.4.1	1	380674-B21 1 Cache Upg RABK ESA12K 256MB
1.2.5	1	176622-B21 1 HSG80 FC Contr with 256MB cache
1.2.5.1	1	380674-B21 1 Cache Upg RABK ESA12K 256MB
1.2.6	1	190211-B31 1 Modula M4354R dual buss, 7+7, 1.0"
1.2.6.1	8	18.20B 10000R Ultra3 SCSI disk 1"
1.2.7	1	190211-B31 1 Modula M4354R dual buss, 7+7, 1.0"
1.2.7.1	8	18.20B 10000R Ultra3 SCSI disk 1"
1.2.8	1	190211-B31 1 Modula M4354R dual buss, 7+7, 1.0"
1.2.8.1	9	18.20B 10000R Ultra3 SCSI disk 1"
1.3	1	135823-B21 2 HSGXX Single external cache battery
1.4	1	142673-B22 42 18.20B 10000R Ultra3 SCSI disk 1"
1.5	1	176622-B21 1 HSG80 FC Contr with 256MB cache
1.5.1	1	380674-B21 1 Cache Upg RABK ESA12K 256MB
1.6	1	176622-B21 1 HSG80 FC Contr with 256MB cache
1.6.1	1	380674-B21 1 Cache Upg RABK ESA12K 256MB
2	1	158222-B21 1 SAN Switch 8 Ports
2.1	6	380561-B21 6 FC Optical Short Wave GRIC 500
2.2	1	158222-B21 1 SAN Switch 8 Ports
3	1	380561-B21 6 FC Optical Short Wave GRIC 500
4	1	160407-B21 2 SAN switch redundant power supply
5	4	234457-B23 4 Fibre Channel 15m Optical Cable
6	1	167365-B21 2 Rack mount kit for SAN switch
7	8	234457-B21 8 Fibre Channel 02m Optical Cable
8	1	380555-001 1 OS Platf Softw Kit for FC Alpha OVMS
9	4	Host Bus Cntr KPQSA-CA,OVMS,UNIX

BOM of Dual ES45 Cabinet

Part Number	Qty	Description
1	1	H9A15-MP 1 M-Series Cab,H9A15,Black,240V 40U
1.1	3	3R-A2832-AA 2 COMPAQ Monitor 8510 15" NH, EU
1.2	2	BA618-CK 2 ES45 Rackmount Kit, 3x pwr cords
1.3	2	BN19C-2E 2 PowerCable 240V, 6-Europe
1.4	2	BN39B-04 2 04m copper cbl for CCMB Mem.Chan
1.5	2	BN19C-02 2 1.8 Video Extension Cable ****
1.6	1	CCMHB-BA 1 Hub for Mem.Chan-2 w NO linecards
1.6.1	2	Line Card for CCMHB Mem.Chan-2 Hub
1.7	1	DY-68DAA-DA 1 ES45 68/1000 Model 2 4GB OVMS 10PCI DWR
1.7.1	1	3X-DE602-AA 1 10/100 2xChannel Ethernet, Twisted
1.7.2	1	3X-DEPPA-AC 1 PCI to FDDI SAS MMF with SC,Universal
1.7.3	1	3X-KZPBA-DB 1 PCI 2chan SCSI Ultra3 LVD
1.7.4	1	BA610-6D 1 ES40 Disk Drive Cage, 6-Bay
1.7.4.1	6	18.2GB Uscsi3 15k Universal disk 1"
1.7.5	1	BA610-6D 1 ES40 Disk Drive Cage, 6-Bay
1.7.5.1	6	18.2GB Uscsi3 10k Universal disk 1"
1.7.6	1	CCMAB-AA 1 PCI Mem. Channel-2 Cluster entrl
1.7.7	1	H7906-AA 1 ES40 Power Sply, 2nd or 3rd
1.7.8	1	ES45 68/1000MHz OVMS SMP 8mb cache
1.7.9	7	MS620-DA 7 ES45 4GB Memory Option
1.7.10	1	SN-PBXGP-AB 1 3DLabs Oxygen VXI 32MB PCI 2D graphics
1.8	1	DY-68DAA-DA 1 ES45 68/1000 Model 2 4GB OVMS 10PCI DWR
1.8.1	1	3X-DE602-AA 1 10/100 2xChannel Ethernet, Twisted
1.8.2	1	3X-DEPPA-AC 1 PCI to FDDI SAS MMF with SC,Universal
1.8.3	1	3X-KZPBA-DB 1 PCI 2chan SCSI Ultra3 LVD
1.8.4	1	BA610-6D 1 ES40 Disk Drive Cage, 6-Bay
1.8.4.1	6	18.2GB Uscsi3 15k Universal disk 1"
1.8.5	1	ES40 Disk Drive Cage, 6-Bay
1.8.5.1	6	18.2GB Uscsi3 10k Universal disk 1"
1.8.6	1	CCMAB-AA 1 PCI Mem. Channel-2 Cluster entrl
1.8.7	1	H7906-AA 1 ES40 Power Sply, 2nd or 3rd
1.8.8	1	ES45 68/1000MHz OVMS SMP 8mb cache
1.8.9	7	MS620-DA 7 ES45 4GB Memory Option
1.8.10	1	SN-PBXGP-AB 1 3DLabs Oxygen VXI 32MB PCI 2D graphics
1.9	1	H9C10-MC 1 Ballast Kit for cabinets
1.10	1	H9C15-ZE 1 Rear cab extender for H9A15 Black
1.11	1	FrontDoor Kit Black for H9A15
1.12	2	VMS STYLE KEYBOARD, Pin/Swed
1.13	1	YS-ASCAA-AA 1 M-CAB/SYS/STO Assembly



www.compaq.com/golden-eggs
Since: Oct-2001

COMPAQ 05-Mar-2002 GTAVES45
Matti.Patari@compaq.com

AlphaServer ES45 OVMS Cluster
GOLDEN EGGS Visuals, Helsinki

This template is included in the present GOLDEN EGGS Software kit.

AlphaServer GS80 M4 and M8, 68/1001 Systems

Carbon Black:

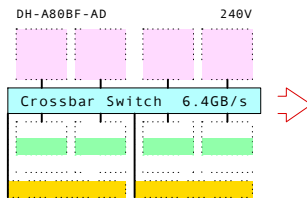
AlphaServer GS80 Model 4

DA-A80AE-AC/AD/AE Model 4 Tru64 UNIX
 DY-A80AE-AC/AD/AE Model 4 OpenVMS
 US/EU/JP

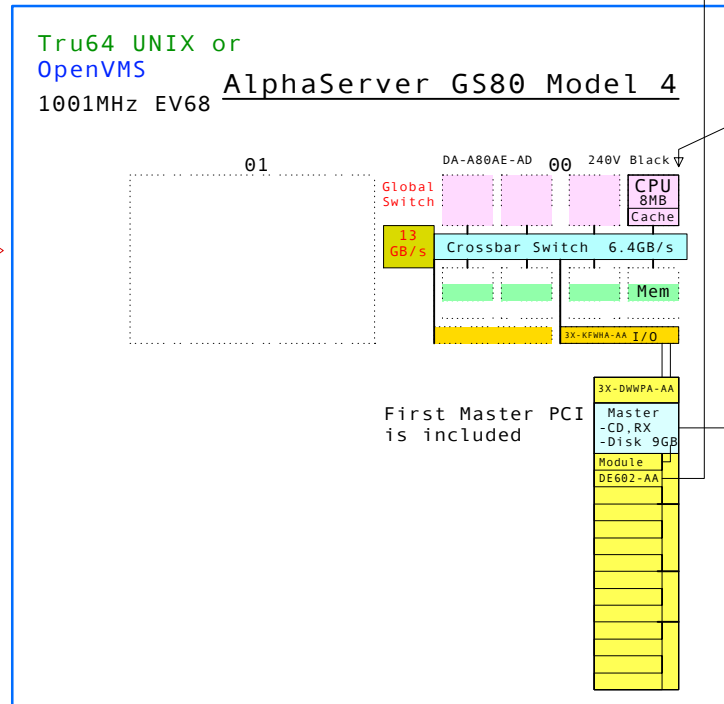
AlphaServer GS80 Model 8

DA-A80BE-AC/AD/AE Model 8 Tru64 UNIX
 DY-A80BE-AC/AD/AE Model 8 OpenVMS

Upgrade: M4->M8



Field upgrade 01 QBB
 DH-A80BF-AC/AD



BN25G-07

One CPU included

3X-KN8AB-AB UNIX
 3X-KN8AB-AC OpenVMS

Memory Upgrade
 1GB Mem → 1GB Mem

3X-MS8AA-BB 1GB Module
 3X-MS8AA-BU 1GB DIMM
 3X-MS8AA-CB 2GB Module
 3X-MS8AA-CU 2GB DIMM
 3X-MS8AA-DB 4GB Module
 3X-MS8AA-DU 4GB DIMM

3R-VRQP7-24
 3X-DS8BA-AA/AA
 3X-DS8AA-AA Hub for 2nd partition

BN39C-02.Video
 BN19C-2E
 SN-LKQ47-AF

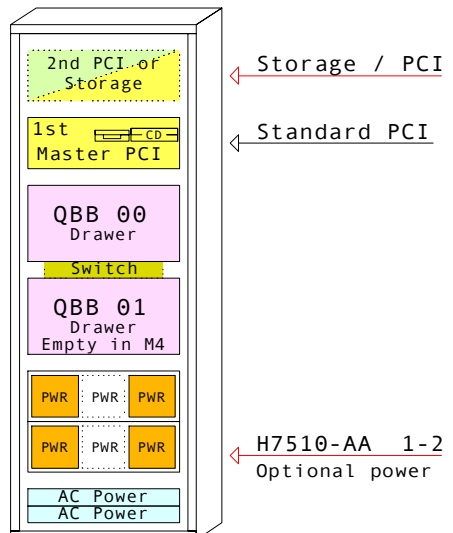
Licenses included:

- Tru64 UNIX V4.0G, Base license, Unlimited User license, Server Extension license, and Internet Solutions Software license and Netscape's Enterprise Server 3.0.
- OpenVMS V7.2-1H1 Base license and Enterprise Integration Package V3.0.

@731MHz
 SPECint95 -
 SPECfp95 -
 SPECweb96 -
 TPC -

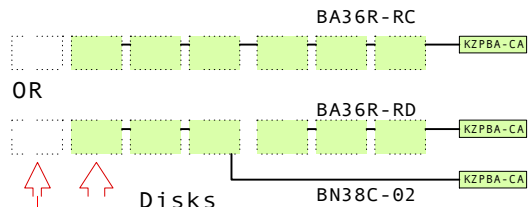
Software Processor Code: G

HxWxD 170x80x100cm



AlphaServer GS80

One optional storage shelf



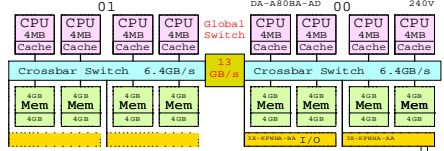
Disks
 RZ1FC 36GB DS-RZ1FC-VW
 RZ1ED 18GB DS-RZ1ED-VW
 2nd PWR CK-BA35X-HH

I/O module 3X-KFWHA-BA
 Two cables BN39B-04

3X-DWWPA-AA Master PCI
 3X-DWWPA-BA Expansion PCI

AlphaServer GS80 TruCluster

Tru64 UNIX AlphaServer GS80 Model 8

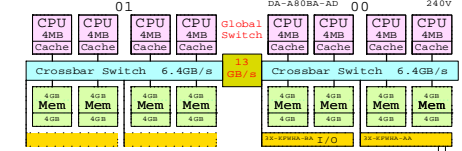


BOM of the shared Storage

Part Number	Qty	Description
138697-B21	6	ACS V8 SF controller FCAL/FCSW
13523-B21	6	HSBxx Single external cache battery
15822-B21	2	SAN Switch 8 Ports
160407-B21	2	SAN switch redundant power supply
167365-B21	2	Rack mount kit for SAN switch
175990-B22	1	EMA12000 D14 42U 50Hz opal
176496-B22	18	36GB 10000r Ultra3 SCSI disk 1"
176622-B21	6	HS800 FC Contr with 256MB cache
234457-B21	12	Fibre Channel 02m Optical Cable
234457-B23	4	Fibre Channel 15m Optical Cable
380553-001	1	OS Platf.Softw.Kit for FC Alpha UNIX
380561-B21	16	FC Optical Short Wave GBIC
380674-B21	6	Cache Upg RASK ESAL2K 256MB

EMA12000 D14 3x42x 36.4GB = 4586GB

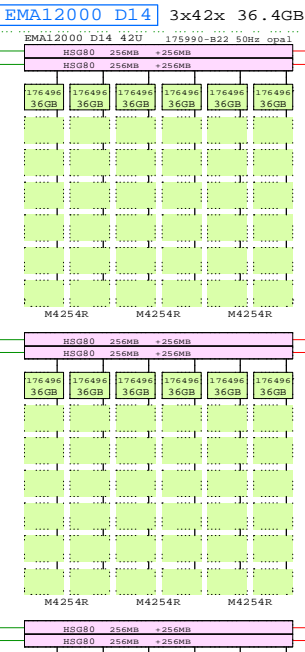
Tru64 UNIX AlphaServer GS80 Model 8



Dual Memory Channel

BOM of this GS80 TruCluster

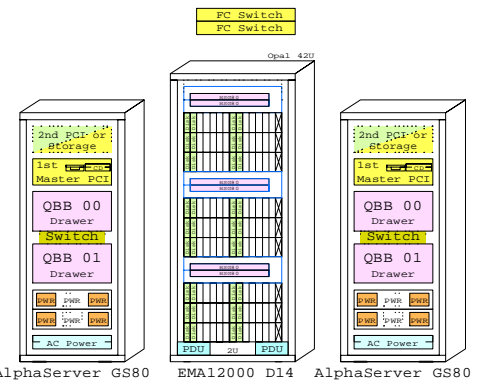
Part Number	Qty	Description
1	1	175990-B22 1 EMA12000 D14 42U 50Hz opal
1.1	128697-B21	6 ACS V8 SF controller FCAL/FCSW
1.2	13523-B21	6 HSBxx Single external cache battery
1.3	176496-B22	18 36GB 10000r Ultra3 SCSI disk 1"
1.4	176622-B21	1 HS800 FC Contr with 256MB cache
1.4.1	380674-B23	1 Cache Upg RASK ESAL2K 256MB
1.5	176622-B21	1 HS800 FC Contr with 256MB cache
1.5.1	380674-B21	1 Cache Upg RASK ESAL2K 256MB
1.6	176622-B21	1 HS800 FC Contr with 256MB cache
1.6.1	380674-B21	1 Cache Upg RASK ESAL2K 256MB
1.7	176622-B21	1 HS800 FC Contr with 256MB cache
1.7.1	380674-B23	1 Cache Upg RASK ESAL2K 256MB
1.8	176622-B21	1 HS800 FC Contr with 256MB cache
1.8.1	380674-B21	1 Cache Upg RASK ESAL2K 256MB
1.9	176622-B21	1 HS800 FC Contr with 256MB cache
1.9.1	380674-B21	1 Cache Upg RASK ESAL2K 256MB
2	DA-A80BA-AD	1 AS GS80 M08 for 08 CPU 240V RU UNIX
2.1	168794-B21	1 Host Bus Cntr KGPSA-CA,OVMS,UNIX
2.2	3X-DEPPA-AC	1 PCI to FDDI SAS MMF with SC,Universal
2.3	3X-DWPA-BA	1 PCI Shelf Expansion for GS160/320
2.3.1	168794-B21	1 Host Bus Cntr KGPSA-CA,OVMS,UNIX
2.3.2	CCMAB-AA	1 PCI Mem. Channel-2 Cluster entrl
2.4	3X-KFPA-BA	1 I/O module for AS GS80 1" 2xChbl
2.5	3X-KNSA-AA	7 CPU Module GS80 6/731MHz Tru64 UNIX
2.6	3X-MSBA-DB	8 4GB AlphaServer GS320 Memory module
2.7	3X-MSBA-DU	8 4GB AlphaServer GS320 Memory DIMM
2.8	BN39B-04	2 04m copper cbl for CCMAB Mem.Chan
2.9	CCMAB-AA	1 PCI Mem. Channel-2 Cluster entrl
2.10	H7510-AA	2 Power Supply for AS GS80 Need: 1 or 2
3	DA-A80BA-AD	1 AS GS80 M08 for 08 CPU 240V RU UNIX
3.1	168794-B21	1 Host Bus Cntr KGPSA-CA,OVMS,UNIX
3.2	3X-DEPPA-AC	1 PCI to FDDI SAS MMF with SC,Universal
3.3	3X-DWPA-BA	1 PCI Shelf Expansion for GS160/320
3.3.1	168794-B21	1 Host Bus Cntr KGPSA-CA,OVMS,UNIX
3.3.2	CCMAB-AA	1 PCI Mem. Channel-2 Cluster entrl
3.4	3X-KFPA-BA	1 I/O module for AS GS80 1" 2xChbl
3.5	3X-KNSA-AA	7 CPU Module GS80 6/731MHz Tru64 UNIX
3.6	3X-MSBA-DB	8 4GB AlphaServer GS320 Memory module
3.7	3X-MSBA-DU	8 4GB AlphaServer GS320 Memory DIMM
3.8	BN39B-04	2 04m copper cbl for CCMAB Mem.Chan
3.9	CCMAB-AA	1 PCI Mem. Channel-2 Cluster entrl
3.10	H7510-AA	2 Power Supply for AS GS80 Need: 1 or 2
4	158222-B21	1 SAN Switch 8 Ports
4.1	380561-B21	8 FC Optical Short Wave GBIC
5	158222-B21	1 SAN Switch 8 Ports
5.1	380561-B21	8 FC Optical Short Wave GBIC
6	3R-VR0P7-24	2 COMPAQ P75 CLR MON,NH,TC099
7	3X-DSBA-AA	2 PC-based system console, tower, US
8	160407-B21	2 SAN switch redundant power supply
9	234457-B23	4 Fibre Channel 15m Optical Cable
10	167365-B21	2 Rack mount kit for SAN switch
11	234457-B21	12 Fibre Channel 02m Optical Cable
12	380553-001	1 OS Platf.Softw.Kit for FC Alpha UNIX
13	BN39B-10	2 10m copper cbl for CCMAB Mem.Chan
14	BN39C-03	2 1.8 Video Extension Cable ***
15	SN-LK047-AF	2 102 KEY KYBD,NON-WIN, Finnish
16	BN19C-2E	2 PowerCable 240V, C-Europe



Host kit:Tru64 UNIX 380553-001 Alp/UNIX

BOM of one Host

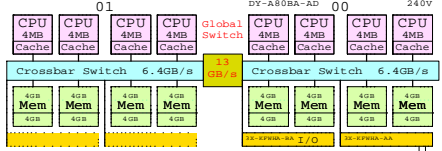
Part Number	Qty	Description
168794-B21	2	Host Bus Cntr KGPSA-CA,OVMS,UNIX
3R-VR0P7-24	2	COMPAQ P75 CLR MON,NH,TC099
3X-DEPPA-AC	1	PCI to FDDI SAS MMF with SC,Universal
3X-DSBA-AA	1	PC-based system console, tower, US
3X-DWPA-BA	1	PCI Shelf Expansion for GS160/320
3X-KFPA-BA	1	I/O module for AS GS80, 1" 2xChbl
3X-KNSA-AA	7	CPU Module GS80 6/731MHz Tru64 UNIX
3X-MSBA-DB	8	4GB AlphaServer GS320 Memory module
3X-MSBA-DU	8	4GB AlphaServer GS320 Memory DIMM
BN19C-2E	1	PowerCable 240V, C-Europe
BN39B-04	2	04m copper cbl for CCMAB Mem.Chan
BN39C-02	1	1.8 Video Extension Cable ***
CCMAB-AA	2	PCI Mem. Channel-2 Cluster entrl
DA-A80BA-AD	1	AS GS80 M08 for 08 CPU 240V RU UNIX
H7510-AA	2	Power Supply for AS GS80 Need: 1 or 2
SN-LK047-AF	1	102 KEY KYBD,NON-WIN, Finnish



Ethernet FDDI Ethernet FDDI

AlphaServer GS80 OpenVMS Cluster

OpenVMS 731MHz EV67 AlphaServer GS80 Model 8

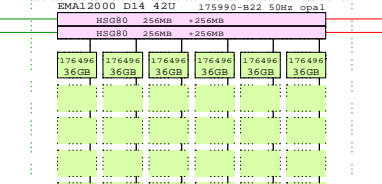


H7510-AA Opt.Power Supply
H7510-AA Opt.Power Supply
BN39B-04 4m MC-cbl
BN39B-04 4m MC-cbl

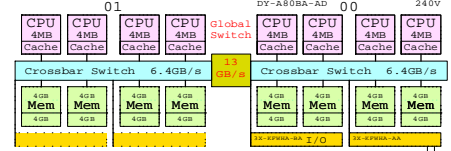
BOM of the shared Storage

Part Number	Qty	Description
128697-B21	6	ACS V8 SF controller FCAL/FCSM
135823-B21	6	HS80x Single external cache battery
158222-B21	2	SAN Switch 8 Ports
160407-B21	2	SAN switch redundant power supply
167365-B21	2	Rack mount kit for SAN switch
175990-B22	1	EMA12000 D14 42U 50Hz opal
176496-B22	18	36GB 10000r Ultra3 SCSI disk 1"
176622-B21	6	HS800 FC contr with 256MB cache
234457-B21	12	Fibre Channel 02m Optical Cable
234457-B23	4	Fibre Channel 15m Optical Cable
380555-001	1	OS Platf.Softw.Kit for FC Alpha OVMS
380561-B21	16	FC Optical Short Wave GBIC
380674-B21	6	Cache Upg RASK ESA12K 256MB

EMA12000 D14 3x42x 36.4GB = 4586GB



OpenVMS 731MHz EV67 AlphaServer GS80 Model 8



H7510-AA Opt.Power Supply
H7510-AA Opt.Power Supply
BN39B-04 4m MC-cbl
BN39B-04 4m MC-cbl

Dual Memory Channel

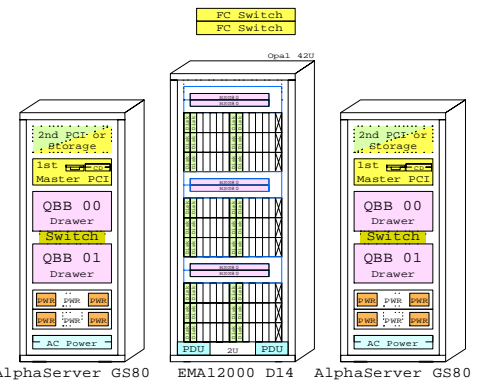
BOM of this GS80 OpenVMS Cluster

Part Number	Qty	Description
1	1	175990-B22 1 EMA12000 D14 42U 50Hz opal
1.1	128697-B21	6 ACS V8 SF controller FCAL/FCSM
1.2	135823-B21	6 HS80x Single external cache battery
1.3	176496-B22	18 36GB 10000r Ultra3 SCSI disk 1"
1.4	176622-B21	1 HS800 FC Contr with 256MB cache
1.4.1	380674-B23	1 Cache Upg RASK ESA12K 256MB
1.5	176622-B21	1 HS800 FC Contr with 256MB cache
1.5.1	380674-B21	1 Cache Upg RASK ESA12K 256MB
1.6	176622-B21	1 HS800 FC Contr with 256MB cache
1.6.1	380674-B21	1 Cache Upg RASK ESA12K 256MB
1.7	176622-B21	1 HS800 FC Contr with 256MB cache
1.7.1	380674-B21	1 Cache Upg RASK ESA12K 256MB
1.8	176622-B21	1 HS800 FC Contr with 256MB cache
1.8.1	380674-B21	1 Cache Upg RASK ESA12K 256MB
1.9	176622-B21	1 HS800 FC Contr with 256MB cache
1.9.1	380674-B21	1 Cache Upg RASK ESA12K 256MB
2	DY-A80BA-AD	1 AS GS80 M08 for 08 CPU 240V EU OVMS
2.1	168794-B21	1 Host Bus Cntr KGPSA-CA.OVMS.UNIX
2.2	3X-DEPPA-AC	1 PCI to FDDI SAS MMF with SC Universal
2.3	3X-DWPA-BA	1 PCI Shelf Expansion for GS160/320
2.3.1	168794-B21	1 Host Bus Cntr KGPSA-CA.OVMS.UNIX
2.3.2	CCMAB-AA	1 PCI Mem. Channel-2 Cluster cntrl
2.4	3X-KFWHA-BA	1 I/O module for AS GS80, 11 2xchl
2.5	3X-KNSAA-AC	7 CPU Module GS80 6771MHz OpenVMS
2.6	3X-MS8AA-DB	8 4GB AlphaServer GS320 Memory module
2.7	3X-MS8AA-DU	8 4GB AlphaServer GS320 Memory DIMM
2.8	BN39B-04	2 04m copper cbl for CCMAB Mem.Chan
2.9	CCMAB-AA	1 PCI Mem. Channel-2 Cluster cntrl
2.10	H7510-AA	2 Power Supply for AS GS80 Need: 1 or 2
3	DY-A80BA-AD	1 AS GS80 M08 for 08 CPU 240V EU OVMS
3.1	168794-B21	1 Host Bus Cntr KGPSA-CA.OVMS.UNIX
3.2	3X-DEPPA-AC	1 PCI to FDDI SAS MMF with SC Universal
3.3	3X-DWPA-BA	1 PCI Shelf Expansion for GS160/320
3.3.1	168794-B21	1 Host Bus Cntr KGPSA-CA.OVMS.UNIX
3.3.2	CCMAB-AA	1 PCI Mem. Channel-2 Cluster cntrl
3.4	3X-KFWHA-BA	1 I/O module for AS GS80, 11 2xchl
3.5	3X-KNSAA-AC	7 CPU Module GS80 6771MHz OpenVMS
3.6	3X-MS8AA-DB	8 4GB AlphaServer GS320 Memory module
3.7	3X-MS8AA-DU	8 4GB AlphaServer GS320 Memory DIMM
3.8	BN39B-04	2 04m copper cbl for CCMAB Mem.Chan
3.9	CCMAB-AA	1 PCI Mem. Channel-2 Cluster cntrl
3.10	H7510-AA	2 Power Supply for AS GS80 Need: 1 or 2
4	158222-B21	1 SAN Switch 8 Ports
4.1	380561-B21	8 FC Optical Short Wave GBIC
5	158222-B21	1 SAN Switch 8 Ports
5.1	380561-B21	8 FC Optical Short Wave GBIC
6	3R-VR0P7-24	2 COMPAQ P75 CLR MON.NH.TC099
7	3X-DS8BA-AB	2 PC-based system console, lower, Europe
8	160407-B21	2 SAN switch redundant power supply
9	234457-B23	4 Fibre Channel 15m Optical cable
10	167365-B21	2 Rack mount kit for SAN switch
11	234457-B21	12 Fibre Channel 02m Optical Cable
12	380555-001	1 OS Platf.Softw.Kit for FC Alpha OVMS
13	BN39B-10	2 10m copper cbl for CCMAB Mem.Chan
14	BN19C-02	2 1.8 Video Extension Cable ***
15	BN19C-2E	2 PowerCable 240V C-Europe
16	LK461-AF	2 VMS STYLE KEYBOARD, Fin/Swed

Part Number	Qty	Description
234457-B23	0	O-Chl 15m
234457-B23	0	O-Chl 15m
234457-B21	0	O-Chl 2m
234457-B21	0	O-Chl 2m
234457-B21	0	O-Chl 2m
234457-B21	0	O-Chl 2m
234457-B21	0	O-Chl 2m
234457-B21	0	O-Chl 2m
160407-B21	2	2dn power
167365-B21	2	Rack kit
135823-B21	6	Cache BB 128697-B21 ACS 8.5F
135823-B21	6	Cache BB 128697-B21 ACS 8.5F
135823-B21	6	Cache BB 128697-B21 ACS 8.5F
135823-B21	6	Cache BB 128697-B21 ACS 8.5F
135823-B21	6	Cache BB 128697-B21 ACS 8.5F
135823-B21	6	Cache BB 128697-B21 ACS 8.5F

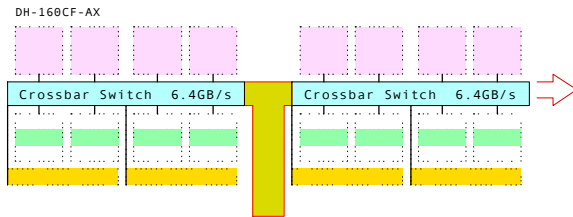
BOM of one Host

Part Number	Qty	Description
168794-B21	2	Host Bus Cntr KGPSA-CA.OVMS.UNIX
3R-VR0P7-24	1	COMPAQ P75 CLR MON.NH.TC099
3X-DEPPA-AC	1	PCI to FDDI SAS MMF with SC Universal
3X-DS8BA-AB	1	PC-based system console, lower, Europe
3X-DWPA-BA	1	PCI Shelf Expansion for GS160/320
3X-KFWHA-BA	1	I/O module for AS GS80, 11 2xchl
3X-KNSAA-AC	7	CPU Module GS80 6771MHz OpenVMS
3X-MS8AA-DB	8	4GB AlphaServer GS320 Memory module
3X-MS8AA-DU	8	4GB AlphaServer GS320 Memory DIMM
BN19C-2E	1	PowerCable 240V C-Europe
BN39B-04	2	04m copper cbl for CCMAB Mem.Chan
BN19C-02	1	1.8 Video Extension Cable ***
CCMAB-AA	2	PCI Mem. Channel-2 Cluster cntrl
DY-A80BA-AD	1	AS GS80 M08 for 08 CPU 240V EU OVMS
H7510-AA	2	Power Supply for AS GS80 Need: 1 or 2
LK461-AF	1	VMS STYLE KEYBOARD, Fin/Swed



AlphaServer GS160 M8 and M16, 68/1001 Systems

Upgrade: M8 -> M16



Field upgrade 02-03 QBB
DH-160CF-AX

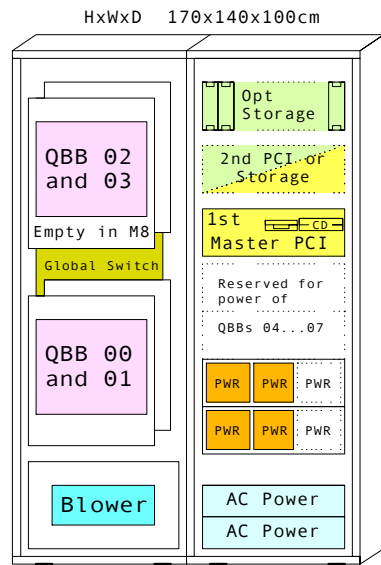
Carbon Black:

AlphaServer GS160 Model 8

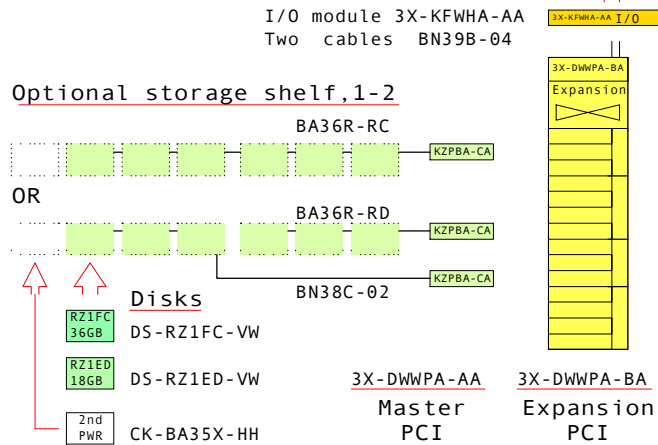
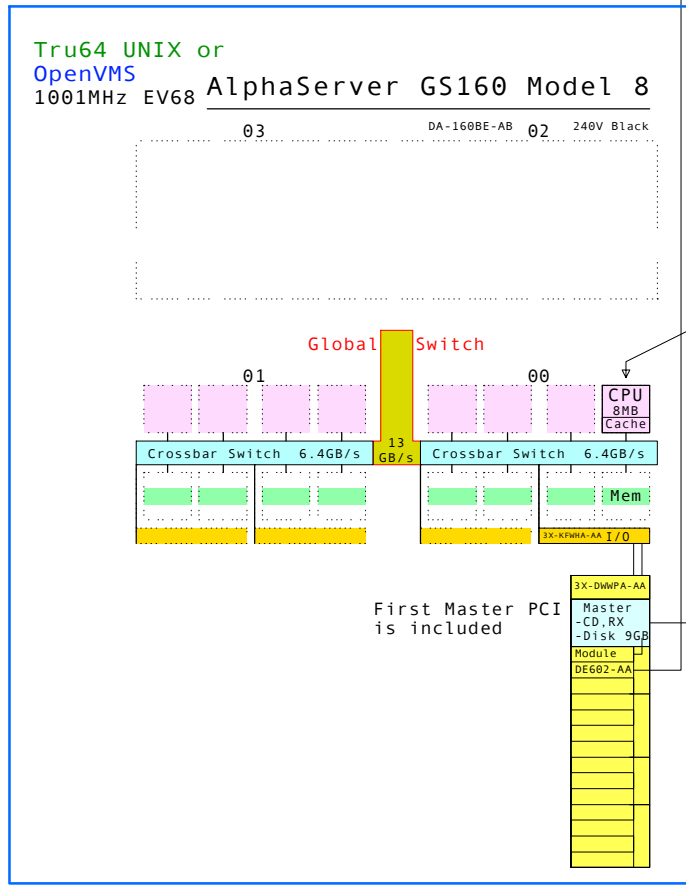
DA-160BE-AA/AB Model 8 Tru64 UNIX
DY-160BE-AA/AB Model 8 OpenVMS
208/416V

AlphaServer GS160 Model 16

DA-160CE-AA/AB Model 16 Tru64 UNIX
DY-160CE-AA/AB Model 16 OpenVMS
208/416V



- ← One Storage
- ← Storage / PCI
- ← Standard PCI
- ← H7506-AA 1-2
Optional power



- One CPU included
- CPU 3X-KN8AB-AD UNIX
- CPU 3X-KN8AB-AE OpenVMS
- Memory Upgrade
- 1GB Mem
- Mem 1GB
- 3X-MS8AA-BB 1GB Module
- 3X-MS8AA-BU 1GB DIMM
- 3X-MS8AA-CB 2GB Module
- 3X-MS8AA-CU 2GB DIMM
- 3X-MS8AA-DB 4GB Module
- 3X-MS8AA-DU 4GB DIMM
- Monit 17" C
- 3R-VRQP7-24
- Console PC 3X-DS8BA-AA/AB
- 3X-DS8BA-AA/AB
- Console HUB 3X-DS8AA-AA
- 3X-DS8AA-AA
- Hub for 2nd partition
- BN39C-02 .Video
- BN19C-2E
- SN-LKQ47-AF

Licenses included:

- Tru64 UNIX V4.0G, Base license, Unlimited User license, Server Extension license, and Internet Solutions Software license and Netscape's Enterprise Server 3.0.
- OpenVMS V7.2-1H1 Base license and Enterprise Integration Package V3.0.

@731MHz
SPECint95 -
SPECfp95 -
SPECweb96 -
TPC -

Software Processor Code: Q

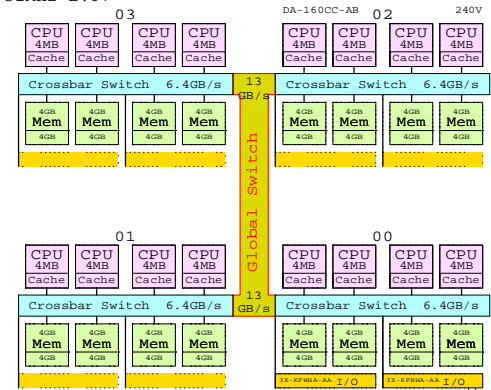
COMPAQ	19-Sep-2001	GEAGS1602
	Matti.Patari@compaq.com	

AlphaServer GS160 M16 System
GOLDEN EGGS Visuals, Helsinki

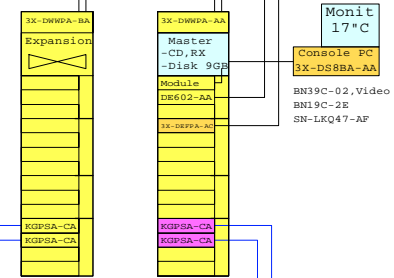
Ethernet
FDDI



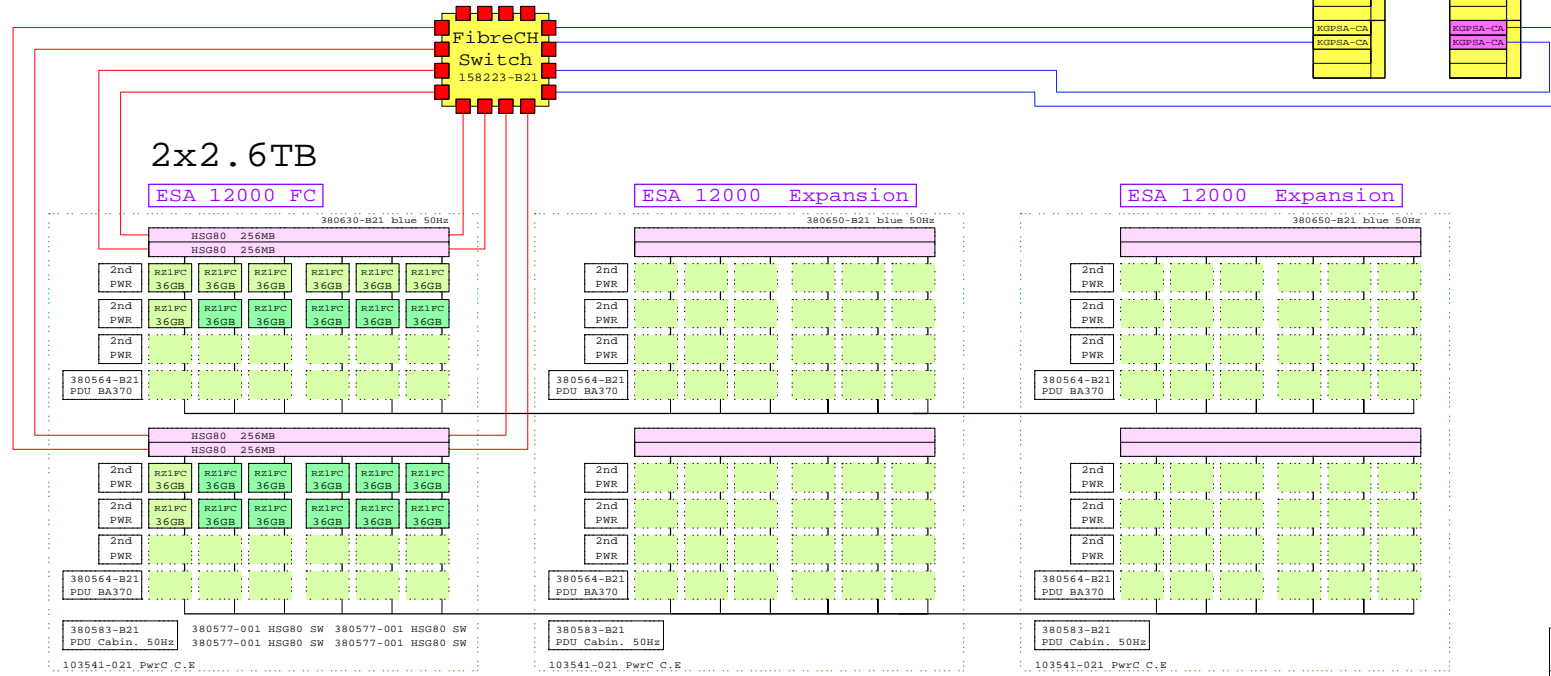
Tru64 UNIX AlphaServer GS160 Model 16
731MHz EV67



H7506-AA Opt.Power Suply
H7506-AA Opt.Power Suply
BN39B-04 4m MC-cbl
BN39B-04 4m MC-cbl



Monit 17°C
Console PC 3X-DS8BA-AA
BN39C-02.Video
BN19C-2E
SN-LKQ47-AP



380583-B21 PDU Cabin, 50Hz 380577-001 HSG80 SW 380577-001 HSG80 SW 380577-001 HSG80 SW
103541-021 PwrC C.F 103541-021 PwrC C.F 103541-021 PwrC C.F

www.Compaq.com/golden-eggs
Since May-2000

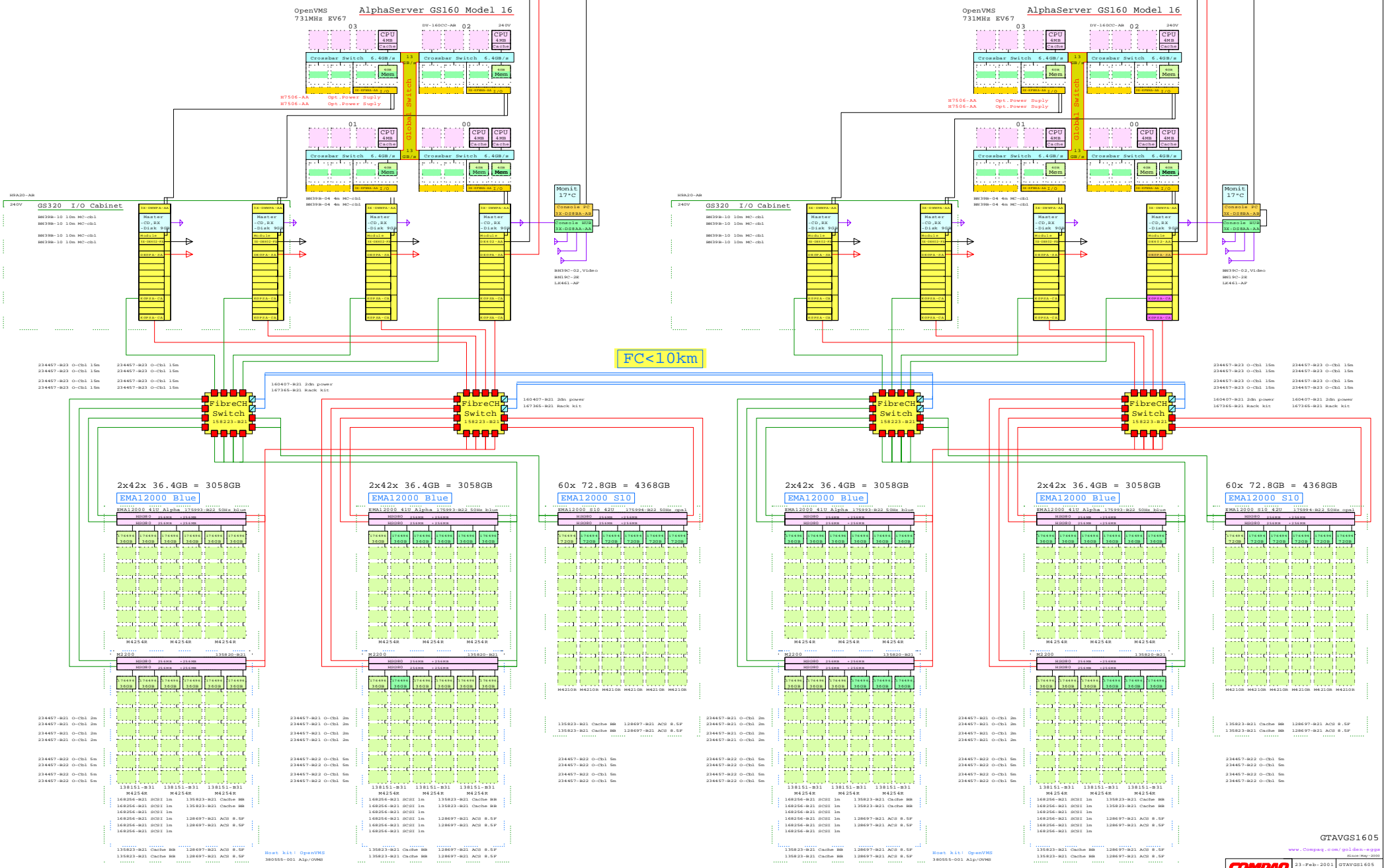
COMPAQ 23-Feb-2001 GTAUGS1603
Matti.Patari@compaq.com

Ethernet
GigaBitEthernet

AlphaServer GS160 OpenVMS system, 16xCPU, 128GB

Ethernet
GigaBitEthernet

AlphaServer GS160 OpenVMS system, 16xCPU, 128GB



GTAVGS1605

COMPAQ 23-Feb-2001 STAVGS1605
Matt.L.Patel@compaq.com

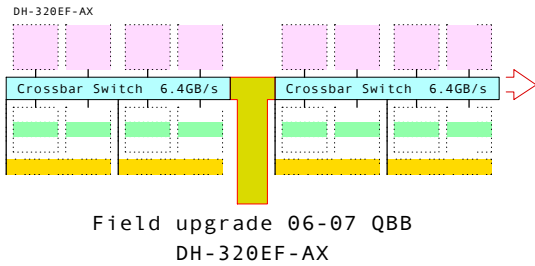
Remote FC GS160 OpenVMS Clust.
GOLDEN EGGS Visuals, Helsinki

This template is included in the present GOLDEN EGGS Software kit.

GS160 ovms

AlphaServer GS320 M24 and M32, 68/1001 Systems

Upgrade: M24 -> M32



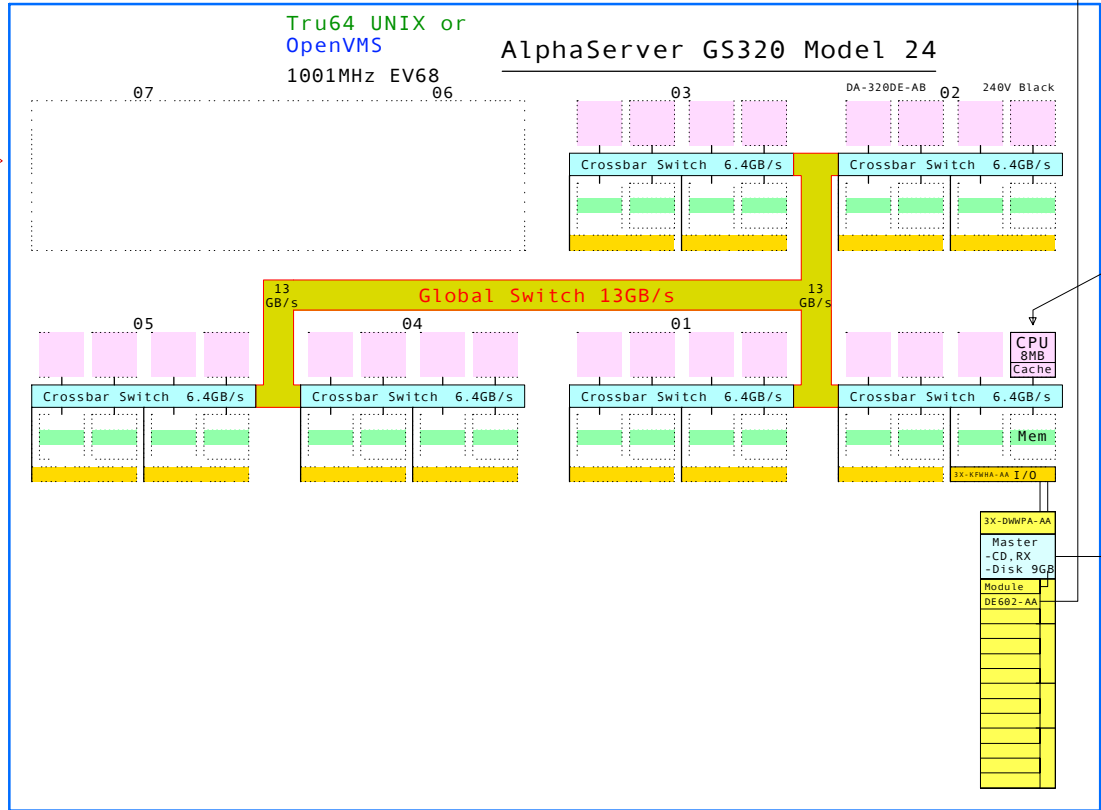
Carbon Black:

AlphaServer GS320 Model 24

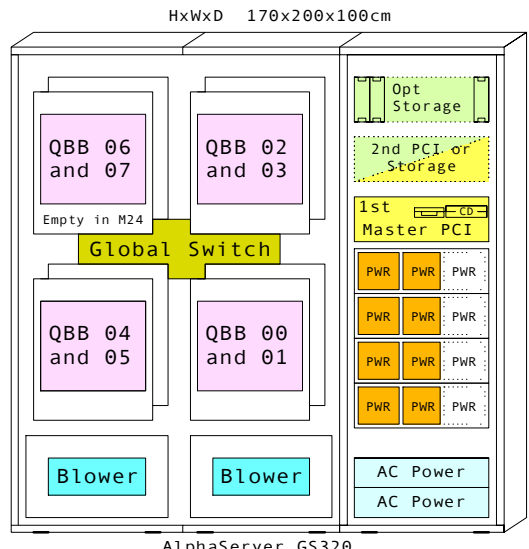
DA-320DE-AA/AB Model 24 Tru64 UNIX
DY-320DE-AA/AB Model 24 OpenVMS
208/416V

AlphaServer GS320 Model 32

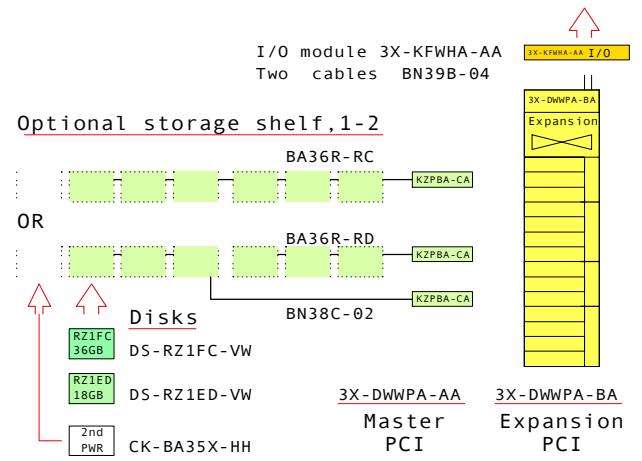
DA-320EE-AA/AB Model 32 Tru64 UNIX
DY-320EE-AA/AB Model 32 OpenVMS
208/416V



- One CPU included
- CPU UNIX
- CPU 8MB Cache 3X-KN8AB-AE OpenVMS
- Memory Upgrade
- 1GB Mem
- 3X-KN8AB-AD 3X-KN8AB-AE
- 3X-MS8AA-BB 1GB Module
- 3X-MS8AA-BU 1GB DIMM
- 3X-MS8AA-CB 2GB Module
- 3X-MS8AA-CU 2GB DIMM
- 3X-MS8AA-DB 4GB Module
- 3X-MS8AA-DU 4GB DIMM
- Monit 17" C 3R-VRQP7-24
- Console PC 3X-DS8BA-AA
- Console HUB 3X-DS8AA-AA
- Hub for 2nd partition
- BN39C-02.Video
- BN19C-2E
- SN-LKQ47-AF



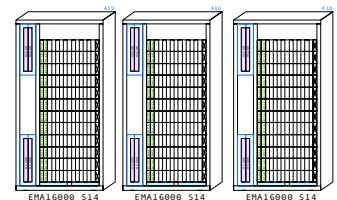
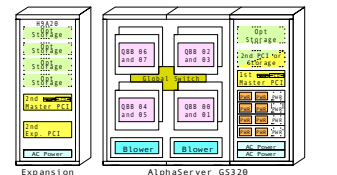
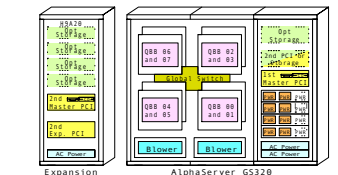
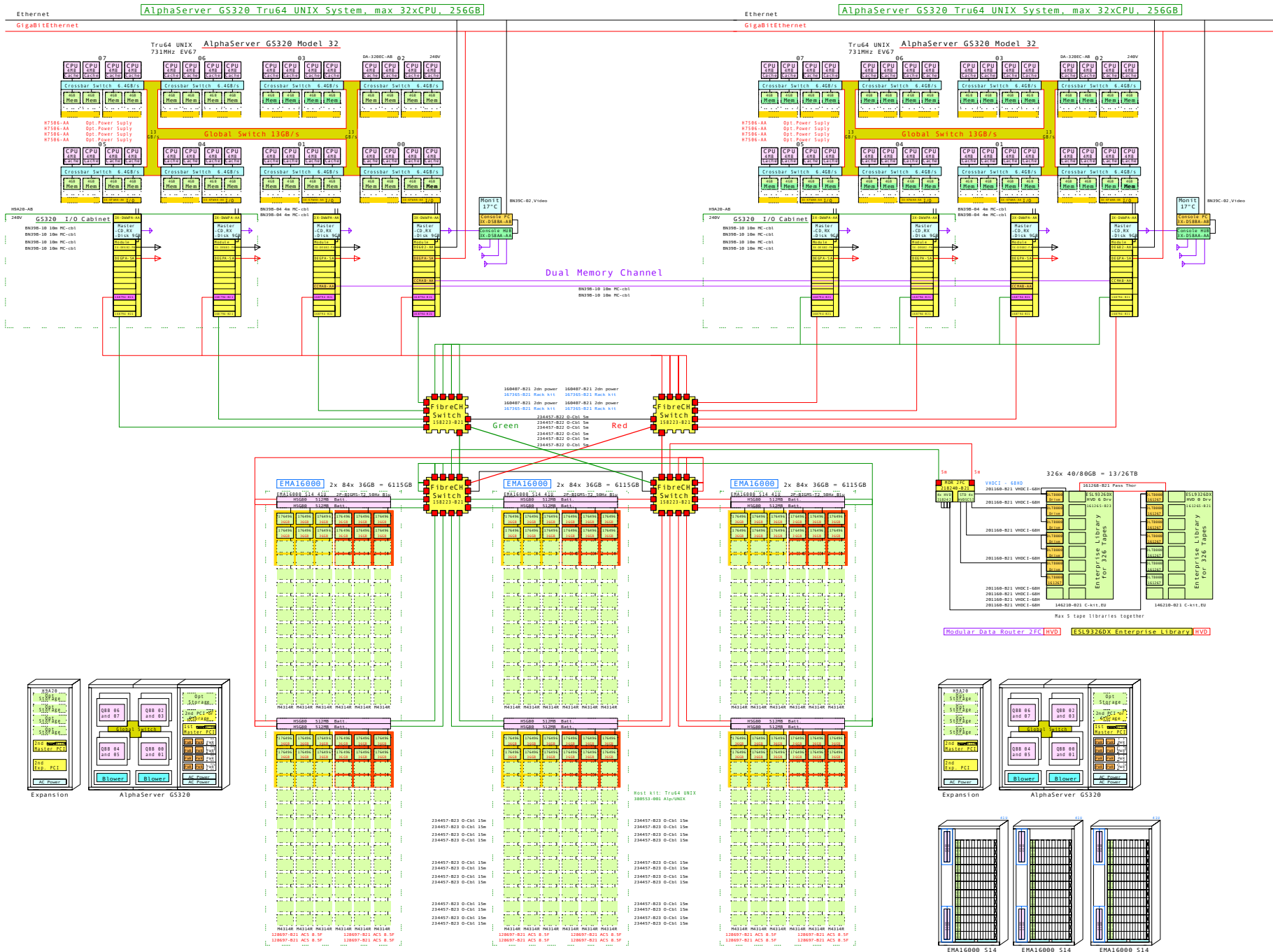
- One Storage
- Storage / PCI
- Standard PCI
- H7506-AA 1-4
- Optional power



- Licenses included:
- Tru64 UNIX V4.0G, Base license, Unlimited User license, Server Extension license, and Internet Solutions Software license and Netscape's Enterprise Server 3.0.
 - OpenVMS V7.2-1H1 Base license and Enterprise Integration Package V3.0.
- @731MHz
- SPECint95 -
- SPECfp95 -
- SPECweb96 -
- TPC -
- Software Processor Code: Q

COMPAQ 19-Sep-2001 GEAGS3202
Matti.Patari@compaq.com

AlphaServer GS320 M32 System
GOLDEN EGGS Visuals, Helsinki

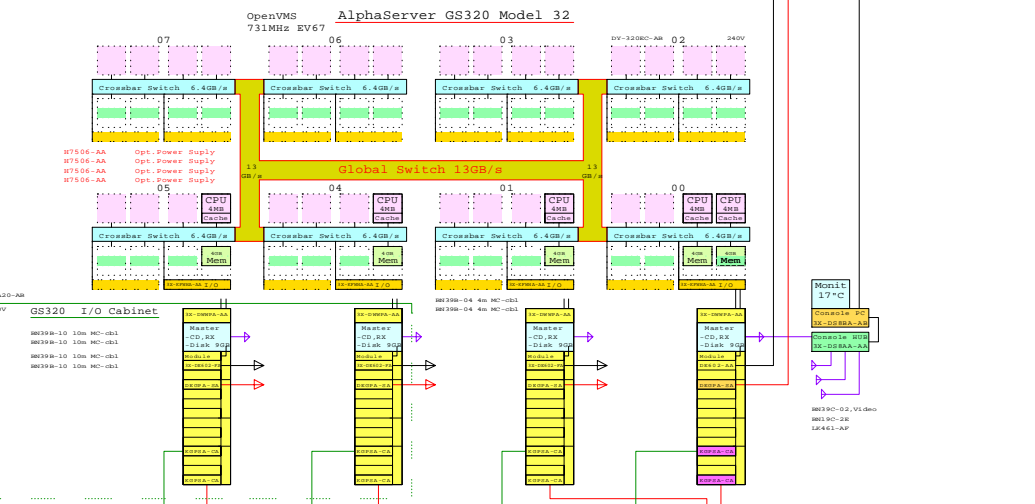
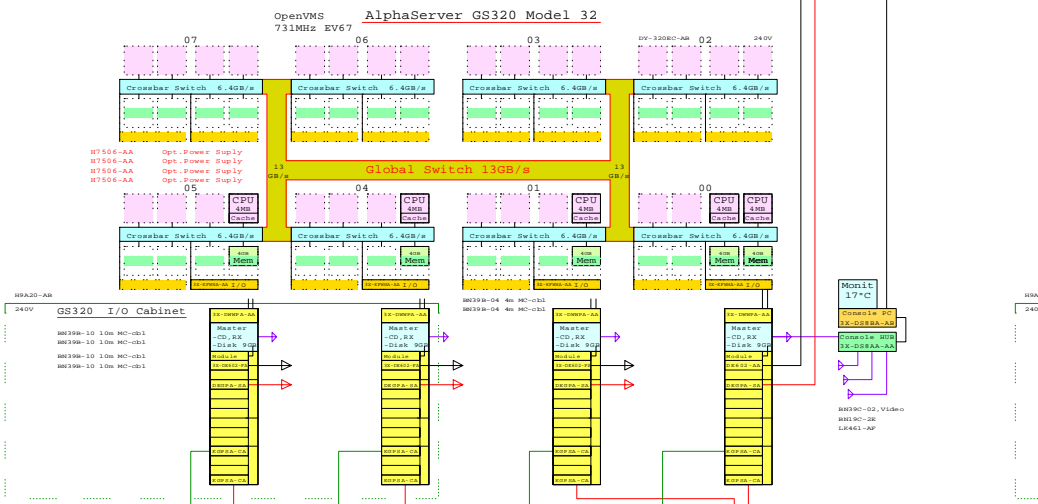


Ethernet
GigaBitEthernet

AlphaServer GS320 OpenVMS system, 32xCPU, 256GB

Ethernet
GigaBitEthernet

AlphaServer GS320 OpenVMS system, 32xCPU, 256GB



FC<10km



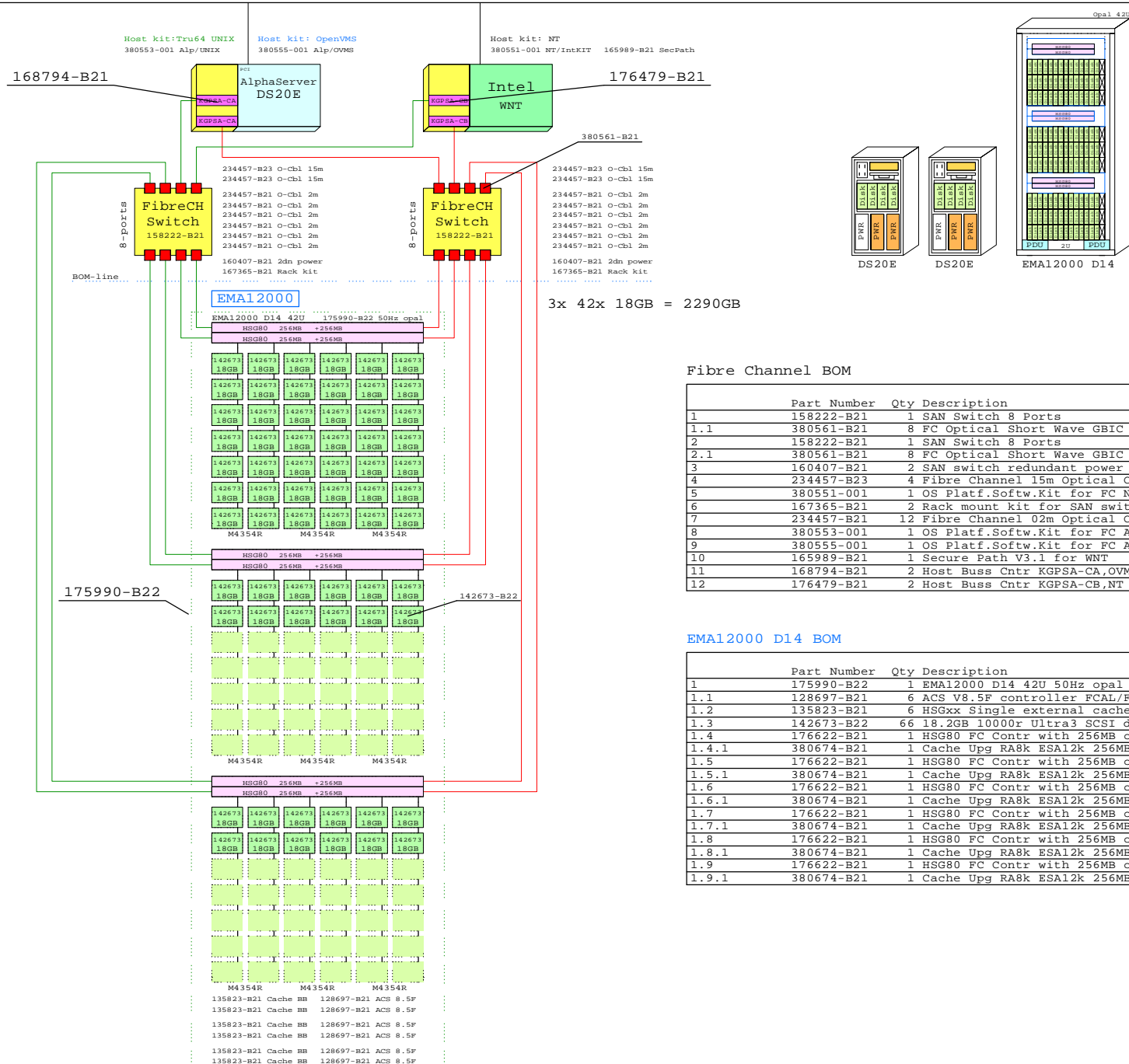
GTAVGS3205

www.Compaq.com/golden-eggs
 23-Feb-2001 GTAVGS3205
 Matt.L.Patel@compaq.com

COMPAQ
 Remote FC GS320 OpenVMS Clust.
 GOLDEN EGGS Visuals, Helsinki

Enterprise Modular Array EMA12000 D14

Ethernet



3x 42x 18GB = 2290GB

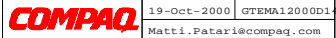
Fibre Channel BOM

Part Number	Qty	Description
158222-B21	1	SAN Switch 8 Ports
1.1	380561-B21	8 FC Optical Short Wave GBIC
2	158222-B21	1 SAN Switch 8 Ports
2.1	380561-B21	8 FC Optical Short Wave GBIC
3	160407-B21	2 SAN switch redundant power supply
4	234457-B23	4 Fibre Channel 15m Optical Cable
5	380551-001	1 OS Platf.Softw.Kit for FC NT/Intel
6	167365-B21	2 Rack mount kit for SAN switch
7	234457-B21	12 Fibre Channel 02m Optical Cable
8	380553-001	1 OS Platf.Softw.Kit for FC Alpha UNIX
9	380555-001	1 OS Platf.Softw.Kit for FC Alpha OVMS
10	165989-B21	1 Secure Path V3.1 for WNT
11	168794-B21	2 Host Buss Cntr KGPSA-CA,OVMS,UNIX
12	176479-B21	2 Host Buss Cntr KGPSA-CB,NT only

EMA12000 D14 BOM

Part Number	Qty	Description
1	175990-B22	1 EMA12000 D14 42U 50Hz opal
1.1	128697-B21	6 ACS V8.5F controller FCAL/FCSW
1.2	135823-B21	6 HSGxx Single external cache battery
1.3	142673-B22	66 18.2GB 10000r Ultra3 SCSI disk 1"
1.4	176622-B21	1 HSG80 FC Contr with 256MB cache
1.4.1	380674-B21	1 Cache Upg RA8k ESA12k 256MB
1.5	176622-B21	1 HSG80 FC Contr with 256MB cache
1.5.1	380674-B21	1 Cache Upg RA8k ESA12k 256MB
1.6	176622-B21	1 HSG80 FC Contr with 256MB cache
1.6.1	380674-B21	1 Cache Upg RA8k ESA12k 256MB
1.7	176622-B21	1 HSG80 FC Contr with 256MB cache
1.7.1	380674-B21	1 Cache Upg RA8k ESA12k 256MB
1.8	176622-B21	1 HSG80 FC Contr with 256MB cache
1.8.1	380674-B21	1 Cache Upg RA8k ESA12k 256MB
1.9	176622-B21	1 HSG80 FC Contr with 256MB cache
1.9.1	380674-B21	1 Cache Upg RA8k ESA12k 256MB

www.Compaq.com/golden-eggs



Enterprise Modular Array 12000
GOLDEN EGGS Visuals, Helsinki

EMA12000 D14

This template is included in the present GOLDEN EGGS Software kit.

Enterprise Modular Array EMA12000 S14

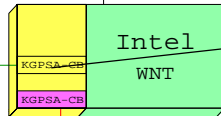
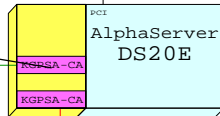
Ethernet

Host kit: Tru64 UNIX
380553-001 Alp/UNIX

Host kit: OpenVMS
380555-001 Alp/OVMS

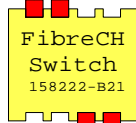
Host kit: NT
380551-001 NT/IntKIT 165989-B21 SecPath

168794-B21



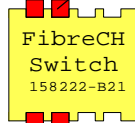
176479-B21

8-ports



- 234457-B23 O-Cbl 15m
- 234457-B23 O-Cbl 15m
- 234457-B21 O-Cbl 2m
- 234457-B21 O-Cbl 2m
- 160407-B21 2dn power
- 167365-B21 Rack kit

8-ports



- 234457-B23 O-Cbl 15m
- 234457-B23 O-Cbl 15m
- 234457-B21 O-Cbl 2m
- 234457-B21 O-Cbl 2m
- 160407-B21 2dn power
- 167365-B21 Rack kit

BOM-line

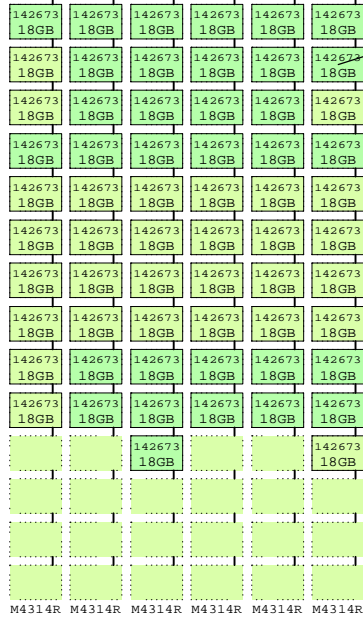
EMA12000

72x 18GB = 1310GB

EMA12000 S14 36U 175991-B22 50Hz opal

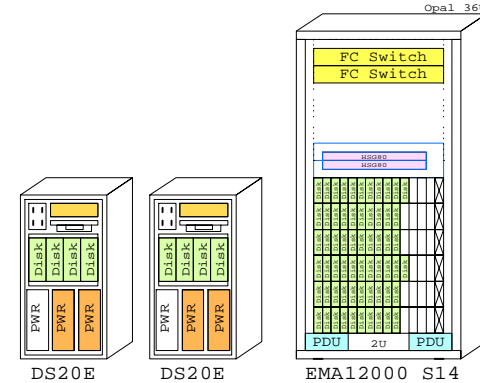
HSG80 256MB +256MB
HSG80 256MB +256MB

175991-B22



M4314R M4314R M4314R M4314R M4314R M4314R

135823-B21 Cache BB 128697-B21 ACS 8.5F
135823-B21 Cache BB 128697-B21 ACS 8.5F



Fibre Channel BOM

	Part Number	Qty	Description
	158222-B21	1	SAN Switch 8 Ports
1	380561-B21	4	FC Optical Short Wave GBIC
2	158222-B21	1	SAN Switch 8 Ports
2.1	380561-B21	4	FC Optical Short Wave GBIC
3	160407-B21	2	SAN switch redundant power supply
4	234457-B23	4	Fibre Channel 15m Optical Cable
5	380551-001	1	OS Platf.Softw.Kit for FC NT/Intel
6	167365-B21	2	Rack mount kit for SAN switch
7	234457-B21	4	Fibre Channel 02m Optical Cable
8	380553-001	1	OS Platf.Softw.Kit for FC Alpha UNIX
9	380555-001	1	OS Platf.Softw.Kit for FC Alpha OVMS
10	165989-B21	1	Secure Path V3.1 for WNT
11	168794-B21	2	Host Buss Cntr KGPSA-CA,OVMS,UNIX
12	176479-B21	2	Host Buss Cntr KGPSA-CB,NT only

EMA12000 S14 BOM

	Part Number	Qty	Description
1	175991-B22	1	EMA12000 S14 36U 50Hz opal
1.1	128697-B21	2	ACS V8.5F controller FCAL/FCSW
1.2	135823-B21	2	HSGxx Single external cache battery
1.3	142673-B22	62	18.2GB 10000r Ultra3 SCSI disk
1.4	176622-B21	1	HSG80 FC Contr with 256MB cache
1.4.1	380674-B21	1	Cache Upg RA8k ESA12k 256MB
1.5	176622-B21	1	HSG80 FC Contr with 256MB cache
1.5.1	380674-B21	1	Cache Upg RA8k ESA12k 256MB

www.Compaq.com/golden-eggs

Since Jul-2000



19-Oct-2000 GTEMA12000S14
Matti.Patari@compaq.com

Enterprise Modular Array 12000
GOLDEN EGGS Visuals, Helsinki

This template is included in the present GOLDEN EGGS Software kit.

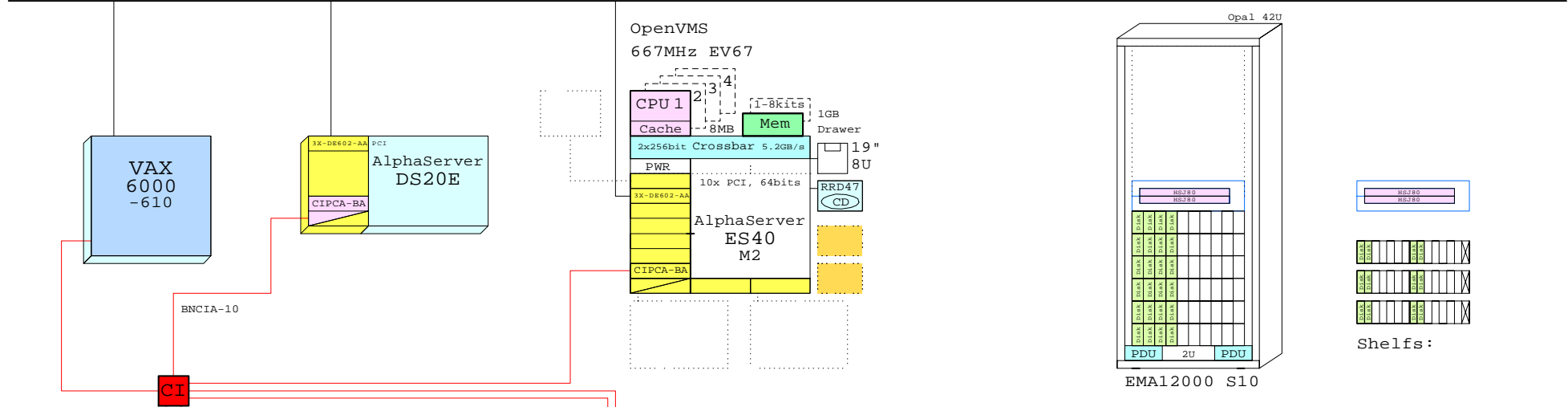
EMA12000 S14

Enterprise Modular Array EMA12000 CI

1.6" drives

1.0" drives

Ethernet



203694-B21 OpenVMS

BOM-line

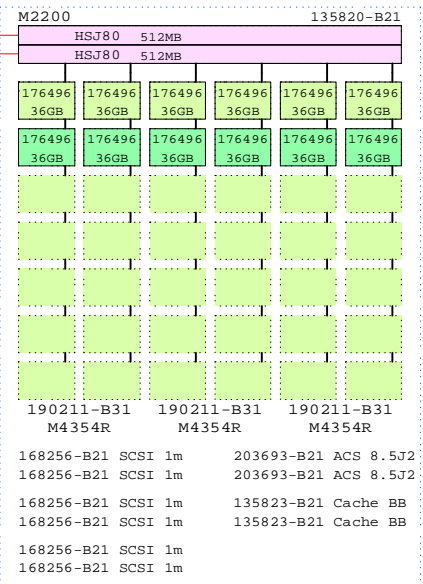
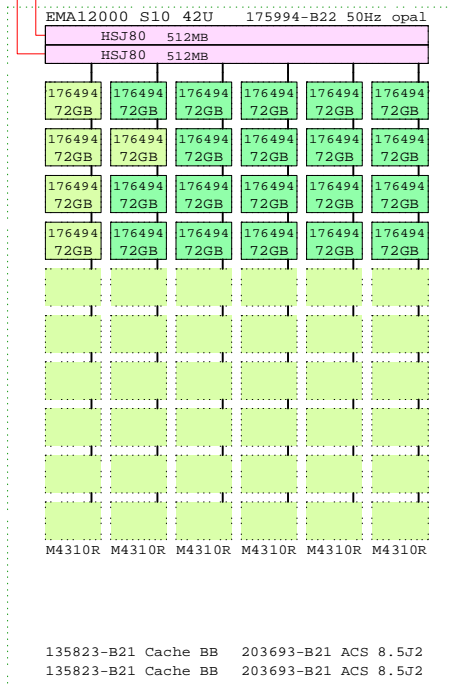
1.6" drives

1.0" drives

EMA12000

60x 72.8GB = 4368GB

Shelves: M2200+ 3xM4354R



EMA12000 S10

BOM for EMA12000

Part Number	Qty	Description
1	1	175994-B22 EMA12000 S10 42U 50Hz opal
1.1	2	135823-B21 HSGxx Single external cache battery
1.2	24	176494-B21 72GB 10000r Ultra3 SCSI disk 1.6"
1.3	2	203693-B21 ACS V8.5J-2 controller CI software
1.4	2	204305-B21 HSJ80 CI Contr 512MB cache
2	1	203694-B21 OS Platf.Softw.Kit for HSJ80 OpenVMS

BOM for Shelves

Part Number	Qty	Description
1	1	135820-B21 Modula M2200 shelf, NO controller
1.1	2	135823-B21 HSGxx Single external cache battery
1.2	6	168256-B21 SCSI cable VHDCI-VHDCI, 1m
1.3	1	190211-B31 Modula M4354R dual buss, 7+7, 1.0"
1.3.1	4	176496-B22 36GB 10000r Ultra3 SCSI disk 1"
1.4	1	190211-B31 Modula M4354R dual buss, 7+7, 1.0"
1.4.1	4	176496-B22 36GB 10000r Ultra3 SCSI disk 1"
1.5	1	190211-B31 Modula M4354R dual buss, 7+7, 1.0"
1.5.1	4	176496-B22 36GB 10000r Ultra3 SCSI disk 1"
1.6	2	203693-B21 ACS V8.5J-2 controller CI software
1.7	2	204305-B21 HSJ80 CI Contr 512MB cache
2	1	203694-B21 OS Platf.Softw.Kit for HSJ80 OpenVMS

www.Compaq.com/golden-eggs

Since: Oct-2000

COMPAQ 20-Oct-2000 GTEMA12000CI
Matti.Patari@compaq.com

EMA12000 for CI
GOLDEN EGGS Visuals, Helsinki

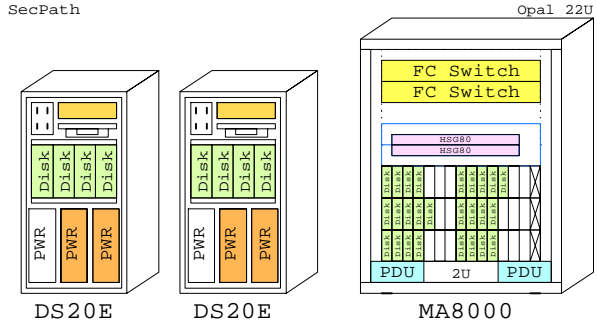
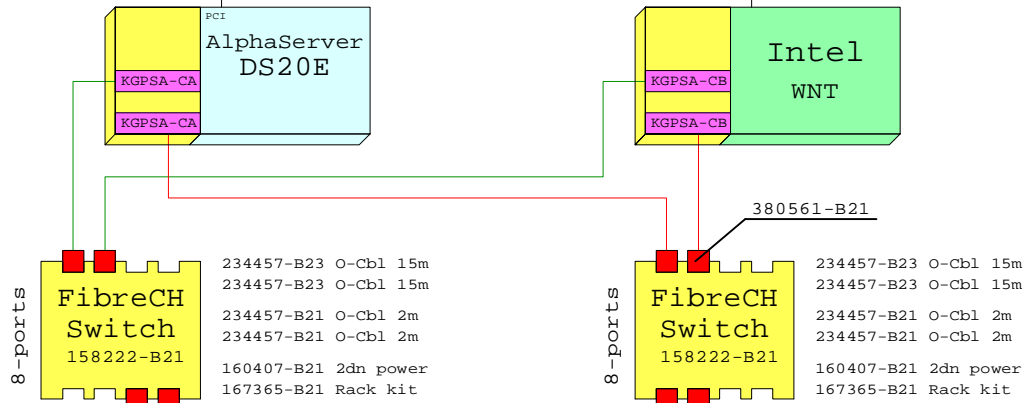
Modular Array MA8000

Ethernet

Host kit: Tru64 UNIX
380553-001 Alp/UNIX

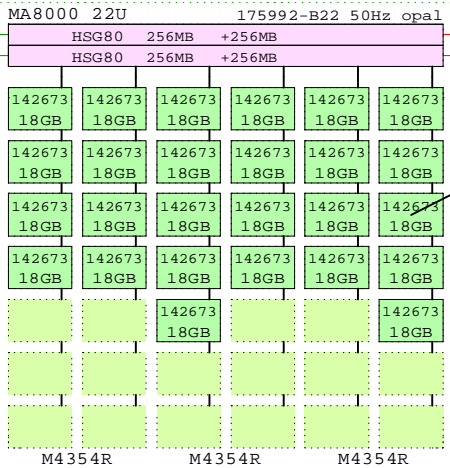
Host kit: OpenVMS
380555-001 Alp/OVMS

Host kit: NT
380551-001 NT/IntKIT 165989-B21 SecPath



BOM-line

MA8000 42x 18GB = 760GB



135823-B21 Cache BB 128697-B21 ACS 8.5F
135823-B21 Cache BB 128697-B21 ACS 8.5F

Fibre Channel BOM

	Part Number	Qty	Description
1	158222-B21	1	SAN Switch 8 Ports
1.1	380561-B21	4	FC Optical Short Wave GBIC
2	158222-B21	1	SAN Switch 8 Ports
2.1	380561-B21	4	FC Optical Short Wave GBIC
3	160407-B21	2	SAN switch redundant power supply
4	234457-B23	4	Fibre Channel 15m Optical Cable
5	380551-001	1	OS Platf.Softw.Kit for FC NT/Intel
6	167365-B21	2	Rack mount kit for SAN switch
7	234457-B21	4	Fibre Channel 02m Optical Cable
8	380553-001	1	OS Platf.Softw.Kit for FC Alpha UNIX
9	380555-001	1	OS Platf.Softw.Kit for FC Alpha OVMS
10	168794-B21	2	Host Buss Cntr KGPSA-CA,OVMS,UNIX
11	176479-B21	2	Host Buss Cntr KGPSA-CB,NT only

MA8000 BOM

	Part Number	Qty	Description
1	175992-B22	1	MA8000 6x7 22U 50Hz opal
1.1	128697-B21	2	ACS V8.5F controller FCAL/FCSW
1.2	135823-B21	2	HSGxx Single external cache battery
1.3	142673-B22	26	18.2GB 10000r Ultra3 SCSI disk
1.4	176622-B21	1	HSG80 FC Contr with 256MB cache
1.4.1	380674-B21	1	Cache Upg RA8k ESA12k 256MB
1.5	176622-B21	1	HSG80 FC Contr with 256MB cache
1.5.1	380674-B21	1	Cache Upg RA8k ESA12k 256MB

www.Compaq.com/golden-eggs

Since:Jul-2000

COMPAQ	19-Oct-2000	GTMA8000a
	Matti.Patari@compaq.com	

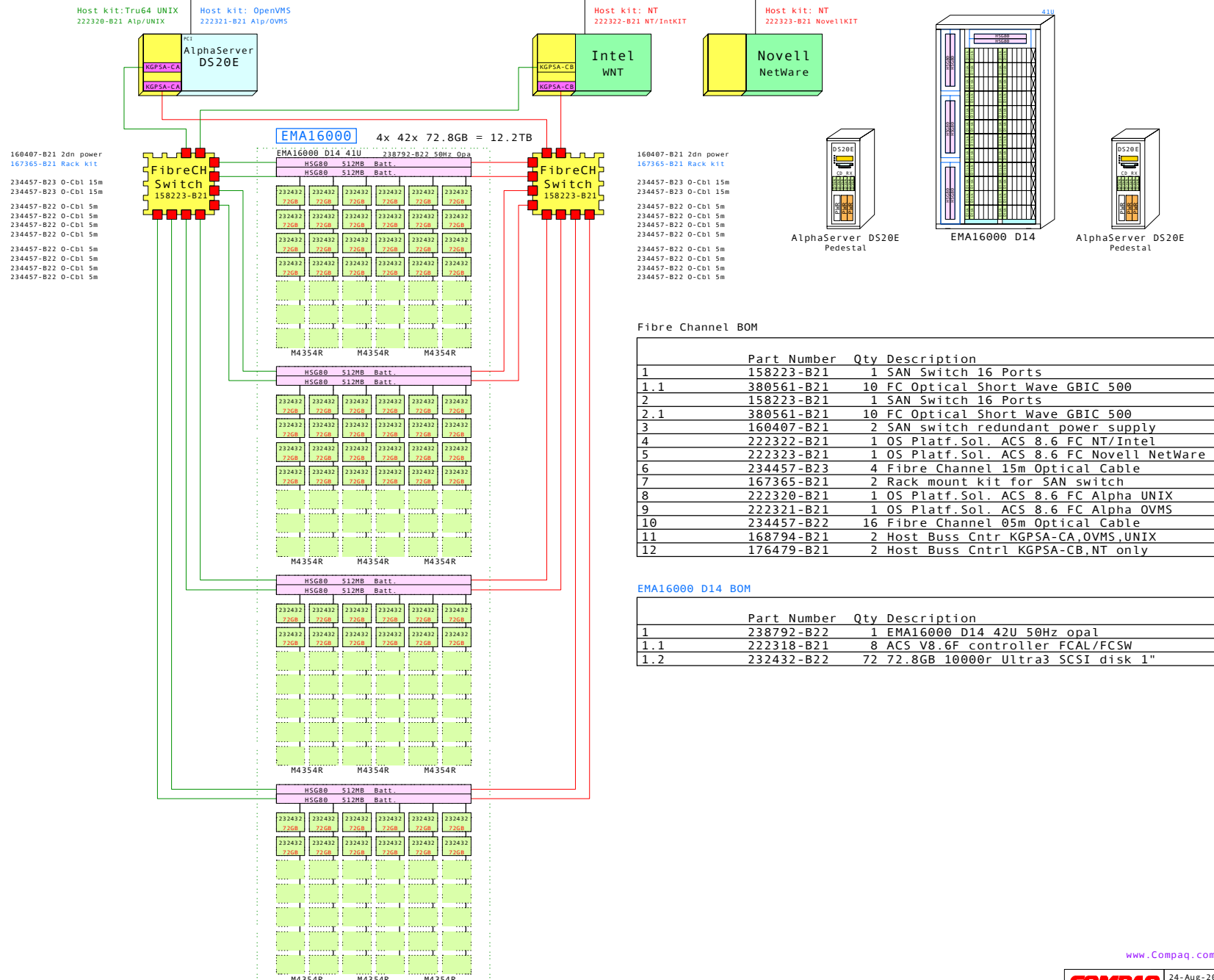
Modular Array, MA8000
GOLDEN EGGS Visuals, Helsinki

This template is included in the present GOLDEN EGGS Software kit.

MA8000

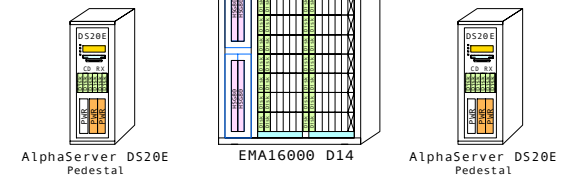
Enterprise Modular Array EMA16000 D14

Ethernet



- 160407-B21 2dn power
- 167365-B21 Rack Kit
- 234457-B23 O-Cbl 15m
- 234457-B23 O-Cbl 15m
- 234457-B22 O-Cbl 5m
- 234457-B22 O-Cbl 5m
- 234457-B22 O-Cbl 5m
- 234457-B22 O-Cbl 5m
- 234457-B22 O-Cbl 5m
- 234457-B22 O-Cbl 5m
- 234457-B22 O-Cbl 5m

- 160407-B21 2dn power
- 167365-B21 Rack kit
- 234457-B23 O-Cbl 15m
- 234457-B23 O-Cbl 15m
- 234457-B22 O-Cbl 5m
- 234457-B22 O-Cbl 5m
- 234457-B22 O-Cbl 5m
- 234457-B22 O-Cbl 5m
- 234457-B22 O-Cbl 5m
- 234457-B22 O-Cbl 5m
- 234457-B22 O-Cbl 5m



Fibre Channel BOM

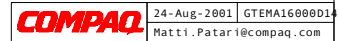
	Part Number	Qty	Description
	158223-B21	1	SAN Switch 16 Ports
1.1	380561-B21	10	FC Optical Short Wave GBIC 500
2	158223-B21	1	SAN Switch 16 Ports
2.1	380561-B21	10	FC Optical Short Wave GBIC 500
3	160407-B21	2	SAN switch redundant power supply
4	222322-B21	1	OS Platf.Sol. ACS 8.6 FC NT/Intel
5	222323-B21	1	OS Platf.Sol. ACS 8.6 FC Novell NetWare
6	234457-B23	4	Fibre Channel 15m Optical Cable
7	167365-B21	2	Rack mount kit for SAN switch
8	222320-B21	1	OS Platf.Sol. ACS 8.6 FC Alpha UNIX
9	222321-B21	1	OS Platf.Sol. ACS 8.6 FC Alpha OVMS
10	234457-B22	16	Fibre Channel 05m Optical Cable
11	168794-B21	2	Host Buss Cntr KGPSA-CA,OVMS,UNIX
12	176479-B21	2	Host Buss Cntrl KGPSA-CB,NT only

EMA16000 D14 BOM

	Part Number	Qty	Description
1	238792-B22	1	EMA16000 D14 42U 50Hz opal
1.1	222318-B21	8	ACS V8.6F controller FCAL/FCSW
1.2	232432-B22	72	72.8GB 10000r Ultra3 SCSI disk 1"

- 222318-B21 ACS 8.6F
- 222318-B21 ACS 8.6F
- 222318-B21 ACS 8.6F
- 222318-B21 ACS 8.6F
- 222318-B21 ACS 8.6F
- 222318-B21 ACS 8.6F

www.Compaq.com/golden-eggs
Since Jan 2001



EMA16000 D14

Enterprise Modular Array 16000
GOLDEN EGGS Visuals, Helsinki

Enterprise Modular Array EMA16000 S14

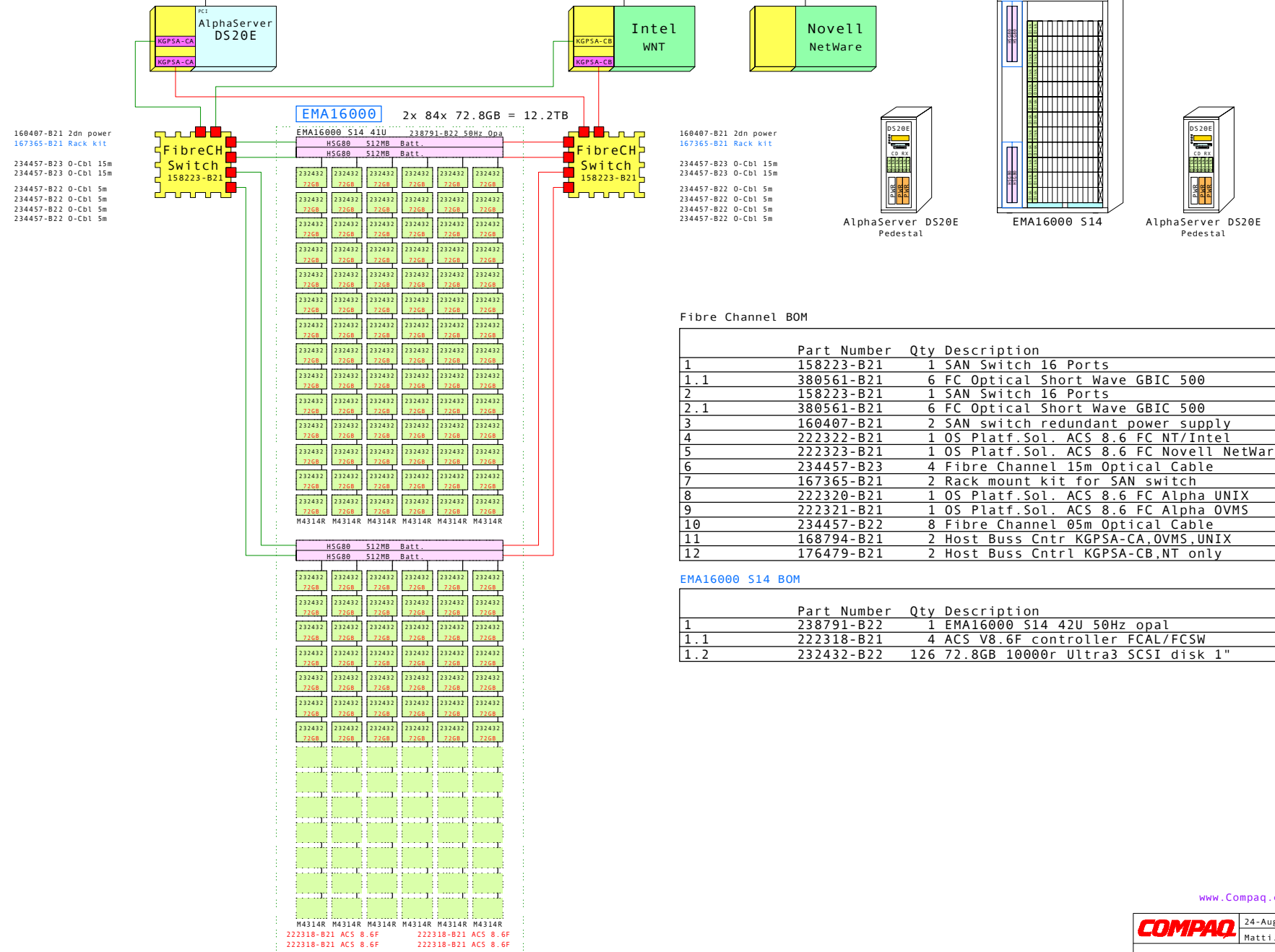
Ethernet

Host kit: Tru64 UNIX
222320-B21 Alp/UNIX

Host kit: OpenVMS
222321-B21 Alp/OVMS

Host kit: NT
222322-B21 NT/IntKIT

Host kit: NT
222323-B21 NovellKIT



- 160407-B21 2dn power
- 167365-B21 Rack kit
- 234457-B23 0-Cbl 15m
- 234457-B23 0-Cbl 15m
- 234457-B22 0-Cbl 5m
- 234457-B22 0-Cbl 5m
- 234457-B22 0-Cbl 5m
- 234457-B22 0-Cbl 5m

- 160407-B21 2dn power
- 167365-B21 Rack kit
- 234457-B23 0-Cbl 15m
- 234457-B23 0-Cbl 15m
- 234457-B22 0-Cbl 5m
- 234457-B22 0-Cbl 5m
- 234457-B22 0-Cbl 5m
- 234457-B22 0-Cbl 5m

Fibre Channel BOM

	Part Number	Qty	Description
1	158223-B21	1	SAN Switch 16 Ports
1.1	380561-B21	6	FC Optical Short Wave GBIC 500
2	158223-B21	1	SAN Switch 16 Ports
2.1	380561-B21	6	FC Optical Short Wave GBIC 500
3	160407-B21	2	SAN switch redundant power supply
4	222322-B21	1	OS Platf.Sol. ACS 8.6 FC NT/Intel
5	222323-B21	1	OS Platf.Sol. ACS 8.6 FC Novell NetWare
6	234457-B23	4	Fibre Channel 15m Optical Cable
7	167365-B21	2	Rack mount kit for SAN switch
8	222320-B21	1	OS Platf.Sol. ACS 8.6 FC Alpha UNIX
9	222321-B21	1	OS Platf.Sol. ACS 8.6 FC Alpha OVMS
10	234457-B22	8	Fibre Channel 05m Optical Cable
11	168794-B21	2	Host Buss Cntr KGPSA-CA,OVMS,UNIX
12	176479-B21	2	Host Buss Cntrl KGPSA-CB,NT only

EMA16000 S14 BOM

	Part Number	Qty	Description
1	238791-B22	1	EMA16000 S14 42U 50Hz opal
1.1	222318-B21	4	ACS V8.6F controller FCAL/FCSW
1.2	232432-B22	126	72.8GB 10000r Ultra3 SCSI disk 1"

This template is included in the present GOLDEN EGGs Software kit.

EMA16000 S14

www.Compaq.com/golden-eggs
Since: Jan 2001

COMPAQ	24-Aug-2001	GTEMA16000S14
	Matti.Patar@compaq.com	

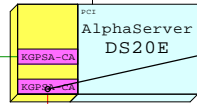
Enterprise Modular Array 16000
GOLDEN EGGs Visuals, Helsinki

Enterprise Virtual Array 2C6D

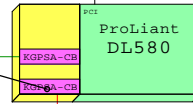
Ethernet

Host kit: Tru64 UNIX
250193-B21 Alp/UNIX V1.0 host kit

Host kit: OpenVMS
250194-B21 Alp/OMVS V1.0 host kit



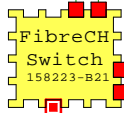
168794-B21



176479-B21

Host kit: NT
250195-B21 NT4/W2k vi.0 host kit

165989-B21 SecPath V3.1a NT 1-lic
165982-B21 SecPath V3.1a NT 5-lic
165983-B21 SecPath V3.1a NT 10-lic
165984-B21 SecPath V3.1a NT 25-lic
165985-B21 SecPath V3.1a NT 50-lic



234457-B23 FC-cable 15m
234457-B23 FC-cable 15m

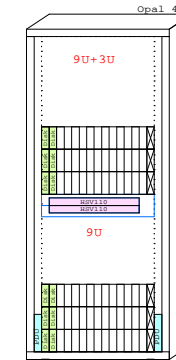
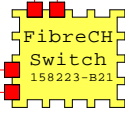
160407-B21 2dn power for SANsw
167365-B21 Rack kit for SANsw

New cables
1GB-2GB/s

234457-B23 FC-cable 15m
234457-B23 FC-cable 15m

160407-B21 2dn power for SANsw
167365-B21 Rack kit for SANsw

221691-B22 LC/SC 5m
221691-B22 LC/SC 5m



Optional Snapshot Software:

253255-B21 Snapshot for 1.6TB
253256-B21 Snapshot for 3.1TB
253257-B21 Snapshot for 6.2TB
253258-B21 Snapshot for 12.3TB
274522-B21 Snapshot for 17.5TB

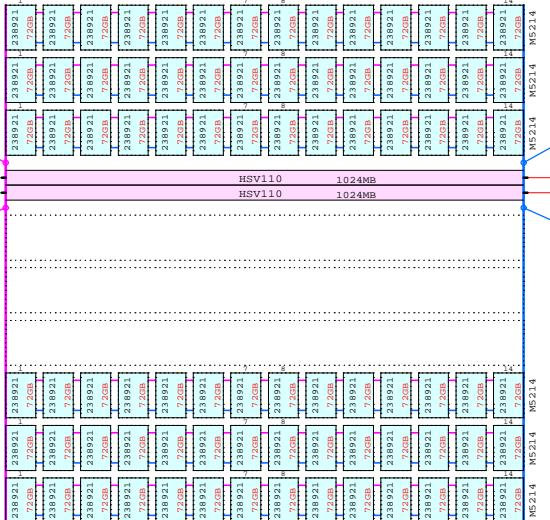
253259-B21 Snapshot Upg 1.6-3.1TB
253260-B21 Snapshot Upg 1.6-6.2TB
253261-B21 Snapshot Upg 1.6-12.3TB
253262-B21 Snapshot Upg 3.1-6.2TB
253263-B21 Snapshot Upg 3.1-12.3TB
253264-B21 Snapshot Upg 6.2-12.3TB
274523-B21 Snapshot Upg 1.6-17.5TB
274524-B21 Snapshot Upg 3.1-17.5TB
274525-B21 Snapshot Upg 6.2-17.5TB
274526-B21 Snapshot Upg 12.6-17.5TB

Optional Hard Work:

258158-888 Mfg.Inst of Opt. US
263734-999 Mfg.Inst of Opt. EU

Enterprise 2C6D 84-168x 72.8GB = 6.1-12.2TB

Enterprise 2C6D 42U 234345-B22 Opal 50Hz

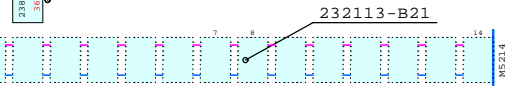


250203-B21 VCS V1.0 for HSV110 pair
263734-999 Mfg.Inst of Opt. EU

165989-B21 SecPath V3.1a NT 1-lic
253257-B21 Snapshot for 6.2TB

238921-B21
72GB 10k dual-port FC 2GB/s disk 1"

238590-B21
36GB 10k dual-port FC 2GB/s disk 1"



To expand 2C6D add 2, 4, or 6 disk enclosures and one patch panel.

274313-B21 Ent. FC Expansion Panel

Fibre Channel BOM

Part Number	Qty	Description
158223-B21	1	SAN Switch 16 Ports
1.1	380561-B21	4 FC Optical Short Wave GBIC 500
2	158223-B21	1 SAN Switch 16 Ports
2.1	380561-B21	4 FC Optical Short Wave GBIC 500
3	160407-B21	2 SAN switch redundant power supply
4	167365-B21	2 Rack mount kit for SAN switch
5	234457-B23	4 Fibre Channel 15m Optical Cable
6	168794-B21	2 Host Buss Cntr KGPSA-CA,OVMS,UNIX
7	176479-B21	2 Host Buss Cntrl KGPSA-CB,NT only

Bom of Enterprise 2C6D

Part Number	Qty	Description
1	234345-B22	1 Enterprise 2C6D FC 50HZ 42U opal
1.1	165989-B21	1 Secure Path V3.1a for WNT/W2k 1-license
1.2	238921-B21	84 72GB 10k dual-port FC 2GB/s disk 1"
1.3	250203-B21	1 SAN VCS SW DUAL HSV110 V1.0 PKG License
1.4	253257-B21	1 SNP VCS V1.0 for up 6.2TB, Snapshot
1.5	263734-999	1 Enterprise Factory inst. of opt. CTO EU
2	189715-001	1 SANworks Mgt. Appliance and license
3	250193-B21	1 SAN Enterp. SOL V1.0 Tru64 UNIX Alpha ho
4	250194-B21	1 SAN Enterp. SOL V1.0 OpenVMS Alpha host
5	250195-B21	1 SAN Enterp. SOL V1.0 for NT4.0/W2k host
6	221691-B22	4 FC ShortWave 5m cable LC-SC (HSV110)

www.Compaq.com/golden-eggs

Since: Sep 2001

COMPAQ 21-Feb-2002 GTENT2C6D
Matti.Patari@compaq.com

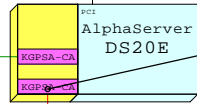
Enterprise Virtual Array 2C6D
GOLDEN EGGS Visuals, Helsinki

Enterprise Virtual Array 2C12D

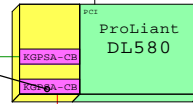
Ethernet

Host kit: Tru64 UNIX
250193-B21 Alp/UNIX V1.0 host kit

Host kit: OpenVMS
250194-B21 Alp/OMVS V1.0 host kit



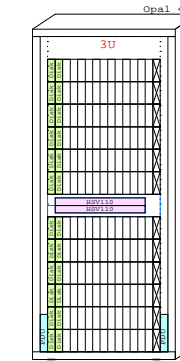
168794-B21



176479-B21

Host kit: NT
250195-B21 NT4/W2k V1.0 host kit

165989-B21 SecPath V3.1a NT 1-lic
165982-B21 SecPath V3.1a NT 5-lic
165983-B21 SecPath V3.1a NT 10-lic
165984-B21 SecPath V3.1a NT 25-lic
165985-B21 SecPath V3.1a NT 50-lic



Optional Snapshot Software:

253255-B21 Snapshot for 1.6TB
253256-B21 Snapshot for 3.1TB
253257-B21 Snapshot for 6.2TB
253258-B21 Snapshot for 12.3TB
274522-B21 Snapshot for 17.5TB

253259-B21 Snapshot Upg 1.6-3.1TB
253260-B21 Snapshot Upg 1.6-6.2TB
253261-B21 Snapshot Upg 1.6-12.3TB
253262-B21 Snapshot Upg 3.1-6.2TB
253263-B21 Snapshot Upg 3.1-12.3TB
253264-B21 Snapshot Upg 6.2-12.3TB
274523-B21 Snapshot Upg 1.6-17.5TB
274524-B21 Snapshot Upg 3.1-17.5TB
274525-B21 Snapshot Upg 6.2-17.5TB
274526-B21 Snapshot Upg 12.6-17.5TB

Optional Hard Work:

258158-888 Mfg. Inst. of Opt. US
263734-999 Mfg. Inst. of Opt. EU

234457-B23 FC-cable 15m
234457-B23 FC-cable 15m

234457-B23 FC-cable 15m
234457-B23 FC-cable 15m

160407-B21 2dn power for SANsw
167365-B21 Rack kit for SANsw

160407-B21 2dn power for SANsw
167365-B21 Rack kit for SANsw

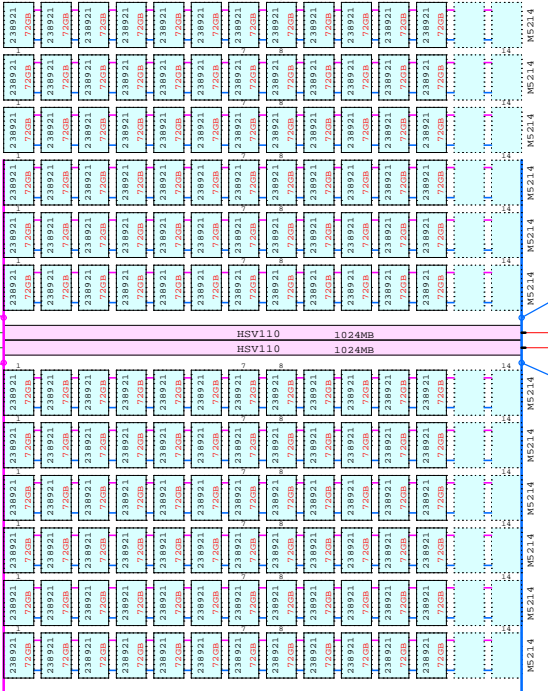
221691-B22 LC/SC 5m
221691-B22 LC/SC 5m

New cables
1GB-2GB/s

221691-B22 LC/SC 5m
221691-B22 LC/SC 5m

Enterprise 2C12D 168x 72.8GB = 12.2TB

Enterprise 2C12D 42U 234346-B22 Opal 50Hz



Loop A2

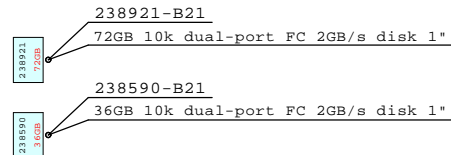
Loop A1

Loop B2

Loop B1

250203-B21 VCS V1.0 for HSV110 pair
263734-999 Mfg. Inst. of Opt. EU

165989-B21 SecPath V3.1a NT 1-lic
253258-B21 Snapshot for 12.3TB



Fibre Channel BOM

Part Number	Qty	Description
158223-B21	1	SAN Switch 16 Ports
1.1	4	FC Optical Short Wave GBIC 500
2	1	SAN Switch 16 Ports
2.1	4	FC Optical Short Wave GBIC 500
3	2	SAN switch redundant power supply
4	2	Rack mount kit for SAN switch
5	2	Fibre Channel 15m Optical Cable
6	2	Host Buss Cntr KGPSA-CA,OVMS,UNIX
7	2	Host Buss Cntrl KGPSA-CB,NT only

Bom of Enterprise 2C12D

Part Number	Qty	Description
1	1	Enterprise 2C12D FC 50HZ 42U opal
1.1	1	Secure Path V3.1a for WNT/W2k 1-license
1.2	144	72GB 10k dual-port FC 2GB/s disk 1"
1.3	1	250203-B21 SAN VCS SW DUAL HSV110 V1.0 PKG License
1.4	1	253258-B21 SNP VCS V1.0 for up 12.3TB, Snapshot
1.5	1	263734-999 Enterprise Factory inst. of opt. CTO EU
2	1	189715-001 SANworks Mgt. Appliance and license
3	1	250193-B21 SAN Enterp. SOL V1.0 Tru64 UNIX Alpha ho
4	1	250194-B21 SAN Enterp. SOL V1.0 OpenVMS Alpha host
5	1	250195-B21 SAN Enterp. SOL V1.0 for NT4.0/W2k host
6	4	221691-B22 FC ShortWave 5m cable LC-SC (HSV110)

www.Compaq.com/golden-eggs

Since: Sep 2001

COMPAQ 21-Feb-2002 GTENT2C12D
Matt.I.Patari@compaq.com

Enterprise Virtual Array 2C12D
GOLDEN EGGS Visuals, Helsinki

Enterprise Virtual Array 2C12D

Enterprise Virtual Array 0C6D

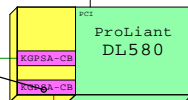
Ethernet

Host kit: Tru64 UNIX
250193-B21 Alp/UNIX V1.0 host kit

Host kit: OpenVMS
250194-B21 Alp/OWS V1.0 host kit



168794-B21



Host kit: NT
250195-B21 NT4/W2K V1.0 host kit

165989-B21 SecPath V3.1a NT 1-lic
165982-B21 SecPath V3.1a NT 5-lic
165983-B21 SecPath V3.1a NT 10-lic
165984-B21 SecPath V3.1a NT 25-lic
165985-B21 SecPath V3.1a NT 50-lic

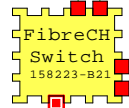
Optional Snapshot Software:

253255-B21 Snapshot for 1.6TB
253256-B21 Snapshot for 3.1TB
253257-B21 Snapshot for 6.2TB
253258-B21 Snapshot for 12.3TB
274522-B21 Snapshot for 17.5TB

253259-B21 Snapshot Upg 1.6-3.1TB
253260-B21 Snapshot Upg 1.6-6.2TB
253261-B21 Snapshot Upg 1.6-12.3TB
253262-B21 Snapshot Upg 3.1-6.2TB
253263-B21 Snapshot Upg 3.1-12.3TB
253264-B21 Snapshot Upg 6.2-12.3TB
274523-B21 Snapshot Upg 1.6-17.5TB
274524-B21 Snapshot Upg 3.1-17.5TB
274525-B21 Snapshot Upg 6.2-17.5TB
274526-B21 Snapshot Upg 12.6-17.5TB

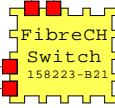
Optional Hard Work:

258158-888 Mfg.Inst of Opt. US
263734-999 Mfg.Inst of Opt. EU



234457-B23 FC-cable 15m
234457-B23 FC-cable 15m
160407-B21 2dn power for SANsw
167365-B21 Rack kit for SANsw

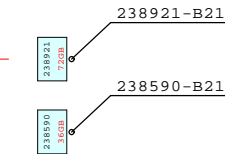
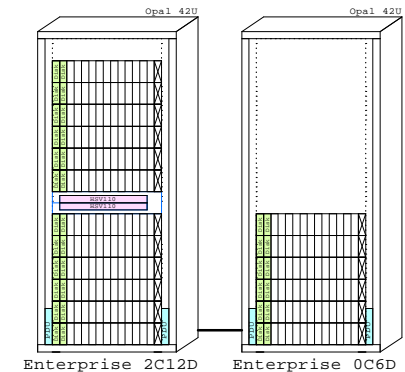
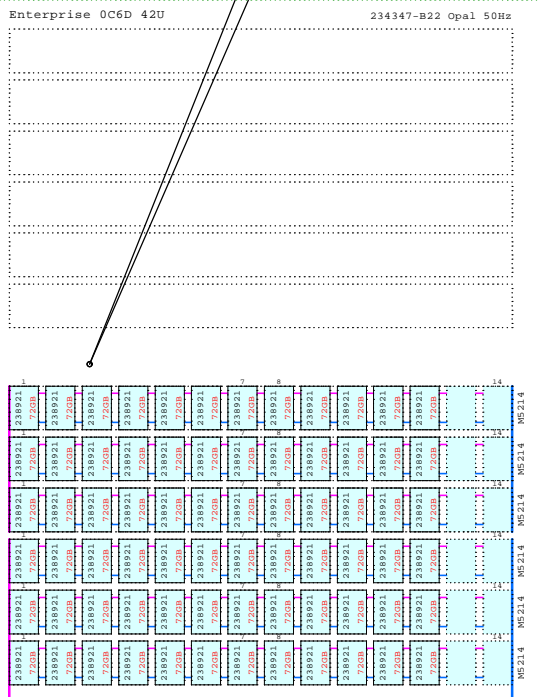
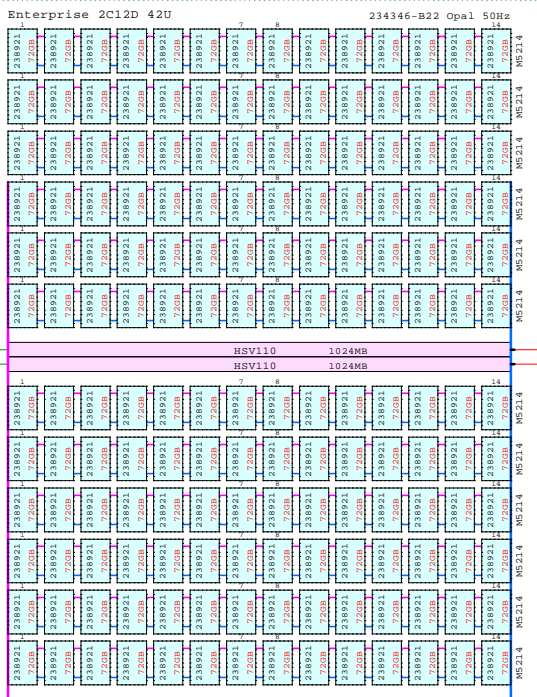
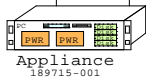
234457-B23 FC-cable 15m
234457-B23 FC-cable 15m
160407-B21 2dn power for SANsw
167365-B21 Rack kit for SANsw



Enterprise 2C12D 168x 72.8GB = 12.2TB

Enterprise 0C6D

234347-B22 Enterprise 0C6D FC 50HZ 42U opal



MAX 240 Disk Drives

BOM of Enterprise 0C6D

Part Number	Qty	Description
234347-B22	1	Enterprise 0C6D FC 50HZ 42U opal
238921-B21	72	72GB 10k dual-port FC 2GB/s disk 1"
263734-999	1	Enterprise Factory inst. of opt. CTO EU
274526-B21	1	SNP VCS V1.0 Upg 12.6-17.5TB, Snapshot

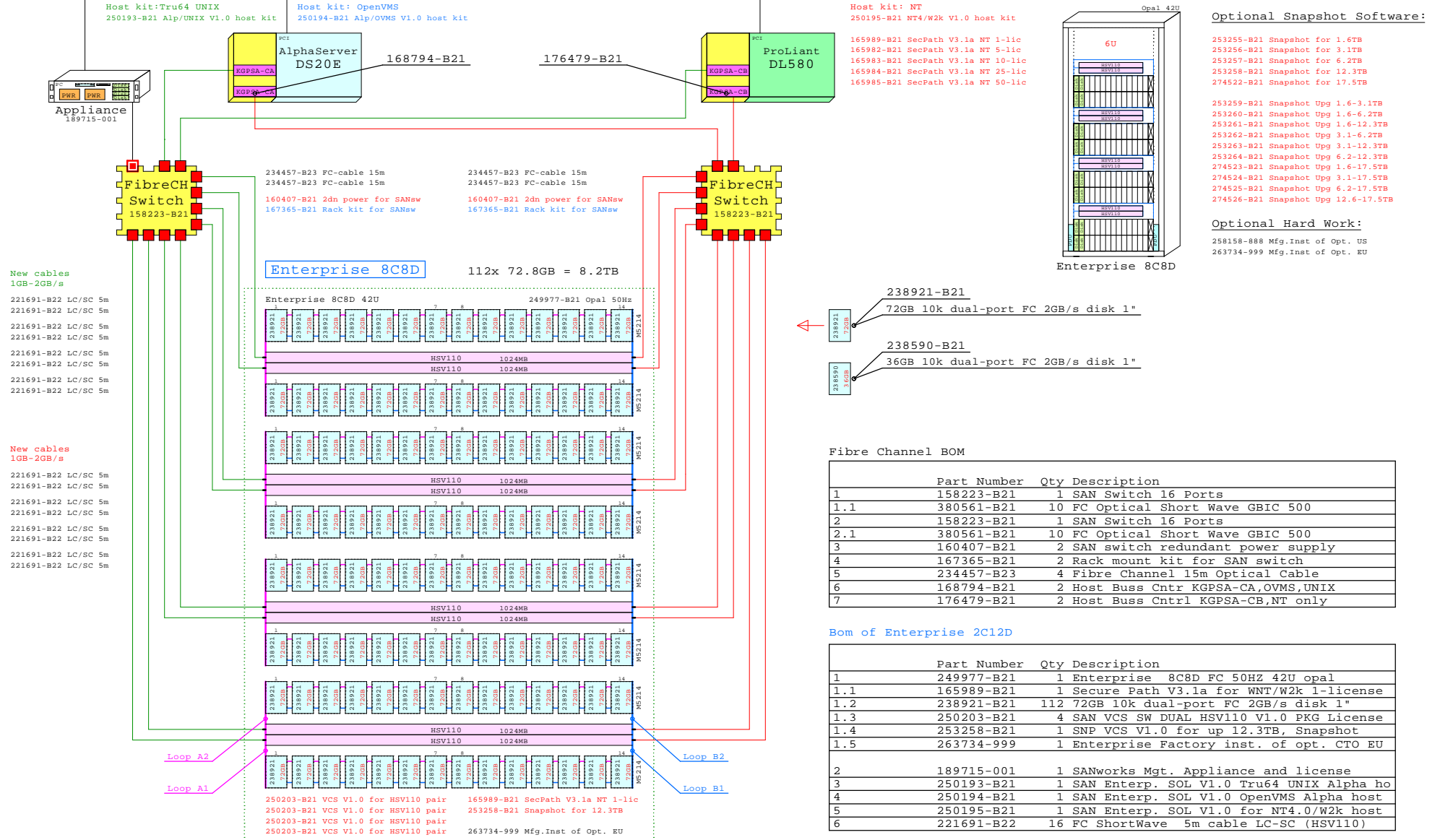
www.Compaq.com/golden-eggs

COMPAQ 21-Feb-2002 GTENT2C12D1
Matt.I.Patari@compaq.com

Enterprise Virtual Array 2C12D
GOLDEN EGGS Visuals, Helsinki

Enterprise Virtual Array 8C8D

Ethernet



Optional Snapshot Software:

- 253255-B21 Snapshot for 1.6TB
- 253256-B21 Snapshot for 3.1TB
- 253257-B21 Snapshot for 6.2TB
- 253258-B21 Snapshot for 12.3TB
- 274522-B21 Snapshot for 17.5TB

- 253259-B21 Snapshot Upg 1.6-3.1TB
- 253260-B21 Snapshot Upg 1.6-6.2TB
- 253261-B21 Snapshot Upg 1.6-12.3TB
- 253262-B21 Snapshot Upg 3.1-6.2TB
- 253263-B21 Snapshot Upg 3.1-12.3TB
- 253264-B21 Snapshot Upg 6.2-12.3TB
- 274523-B21 Snapshot Upg 1.6-17.5TB
- 274524-B21 Snapshot Upg 3.1-17.5TB
- 274525-B21 Snapshot Upg 6.2-17.5TB
- 274526-B21 Snapshot Upg 12.6-17.5TB

Optional Hard Work:

- 258158-888 Mfg.Inst of Opt. US
- 263734-999 Mfg.Inst of Opt. EU

- 238921-B21
72GB 10k dual-port FC 2GB/s disk 1"
- 238590-B21
36GB 10k dual-port FC 2GB/s disk 1"

Fibre Channel BOM

Part Number	Qty	Description
1	1	158223-B21 SAN Switch 16 Ports
1.1	10	380561-B21 FC Optical Short Wave GBIC 500
2	1	158223-B21 SAN Switch 16 Ports
2.1	10	380561-B21 FC Optical Short Wave GBIC 500
3	2	160407-B21 SAN switch redundant power supply
4	2	167365-B21 Rack mount kit for SAN switch
5	4	234457-B23 Fibre Channel 15m Optical Cable
6	2	168794-B21 Host Buss Cntr KGPSA-CA,OVMS,UNIX
7	2	176479-B21 Host Buss Cntrl KGPSA-CB,NT only

Bom of Enterprise 2C12D

Part Number	Qty	Description
1	1	249977-B21 Enterprise 8C8D FC 50HZ 42U opal
1.1	1	165989-B21 Secure Path V3.1a for WNT/W2k 1-license
1.2	112	238921-B21 72GB 10k dual-port FC 2GB/s disk 1"
1.3	4	250203-B21 SAN VCS SW DUAL HSV110 V1.0 PKG License
1.4	1	253258-B21 SNP VCS V1.0 for up to 12.3TB, Snapshot
1.5	1	263734-999 Enterprise Factory inst. of opt. CTO EU
2	1	189715-001 SANworks Mgt. Appliance and license
3	1	250193-B21 SAN Enterp. SOL V1.0 Tru64 UNIX Alpha ho
4	1	250194-B21 SAN Enterp. SOL V1.0 OpenVMS Alpha host
5	1	250195-B21 SAN Enterp. SOL V1.0 for NT4.0/W2k host
6	16	221691-B22 FC ShortWave 5m cable LC-SC (HSV110)

www.Compaq.com/golden-eggs

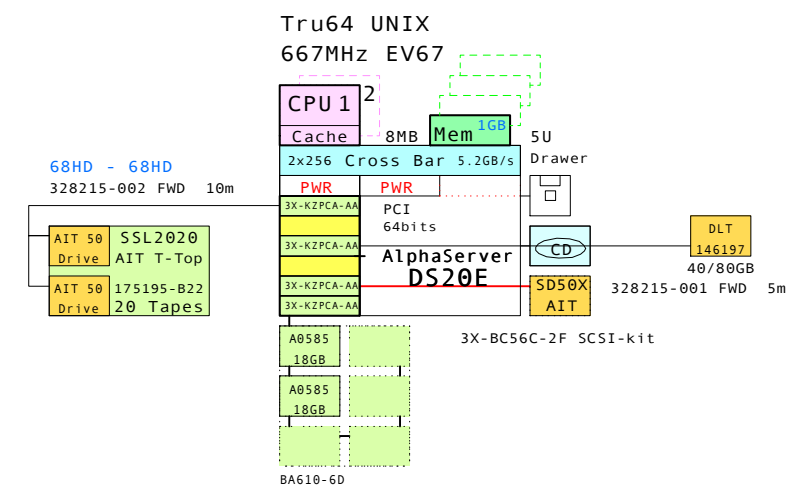
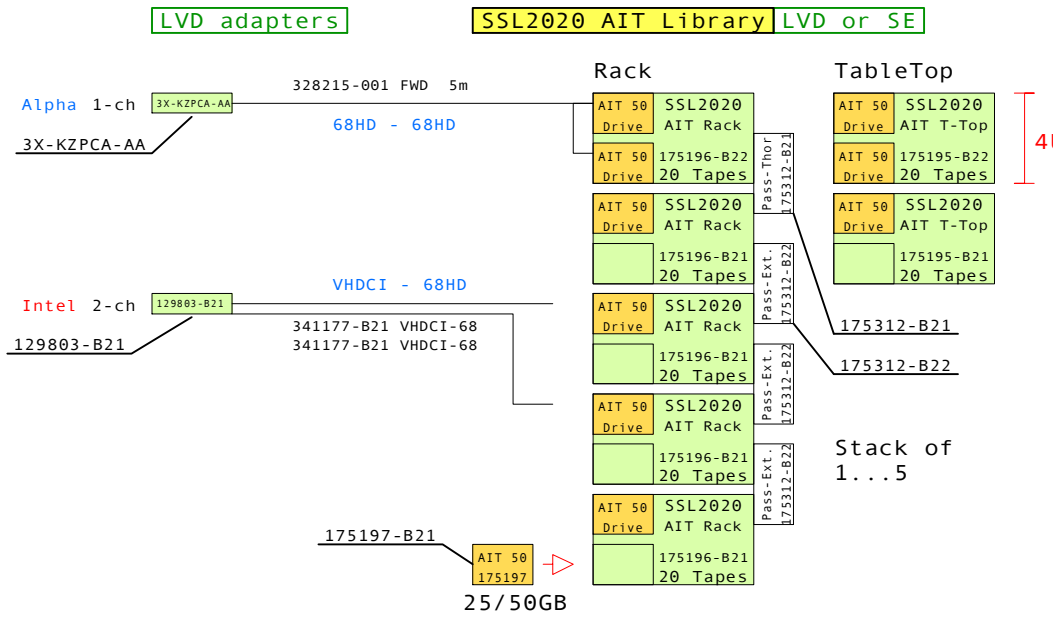
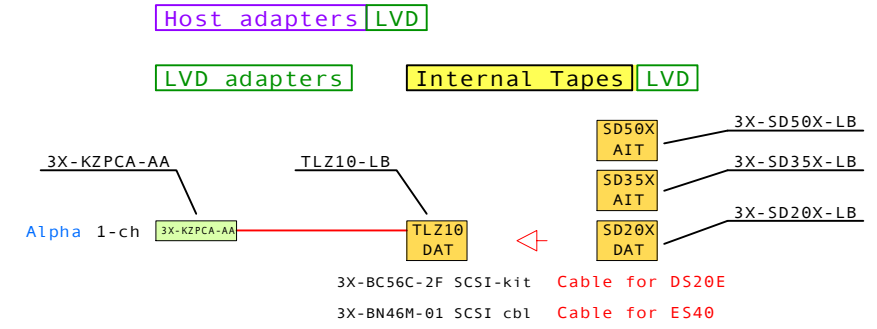
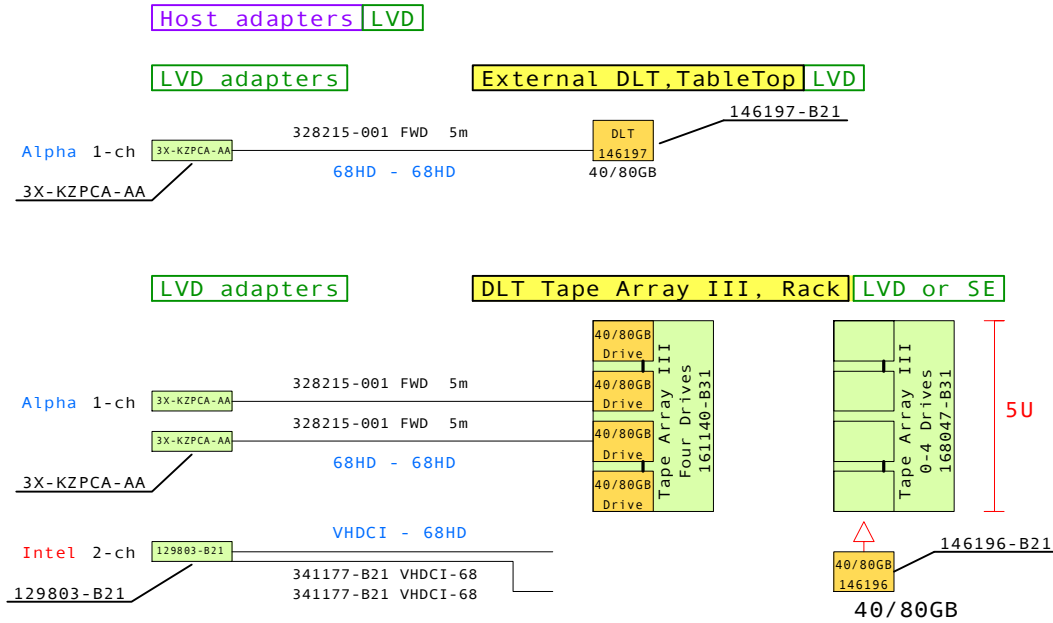
Since: Sep 2001

COMPAQ 21-Feb-2002 GTENT8C8D
Matti.Patari@compaq.com

Enterprise Virtual Array 8C8D
GOLDEN EGGS Visuals, Helsinki

This template is included in the present GOLDEN EGGS Software kit.

Enterprise 8C8D



BOM of DS20E "tape system" above

Part Number	Qty	Description
1	1	AS DS20E 6/667 1GB_Rack_UNIX
1.1	1	DS20E SCSI Cable Kit
1.2	4	Single channel LVD adapter
1.3	1	50/100GB AIT tape drive, blue
1.4	1	ES40 Disk Drive Cage, 6-Bay
1.4.1	2	18.2GB Uscsi3 10k Universal disk 1"
2	1	SSL2020 AIT Lib. 2xDrive, 20slot, TT, LVD
3	1	40/80GB DLT Drive, TableTop, Opal
4	1	Wide Differential SCSI Cable Kit 10m
5	1	Wide Differential SCSI Cable Kit 5m

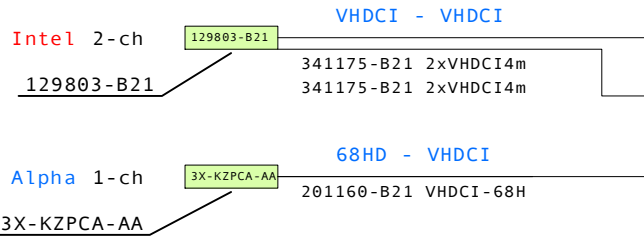
www.Compaq.com/golden-eggs
Since: Mar-2001

COMPAQ	30-Mar-2001	GTtape1
	Matti.Patari@Compaq.com	

Tape drives, host driven
GOLDEN EGGS Visuals, Helsinki

Tape1

Host adapters LVD

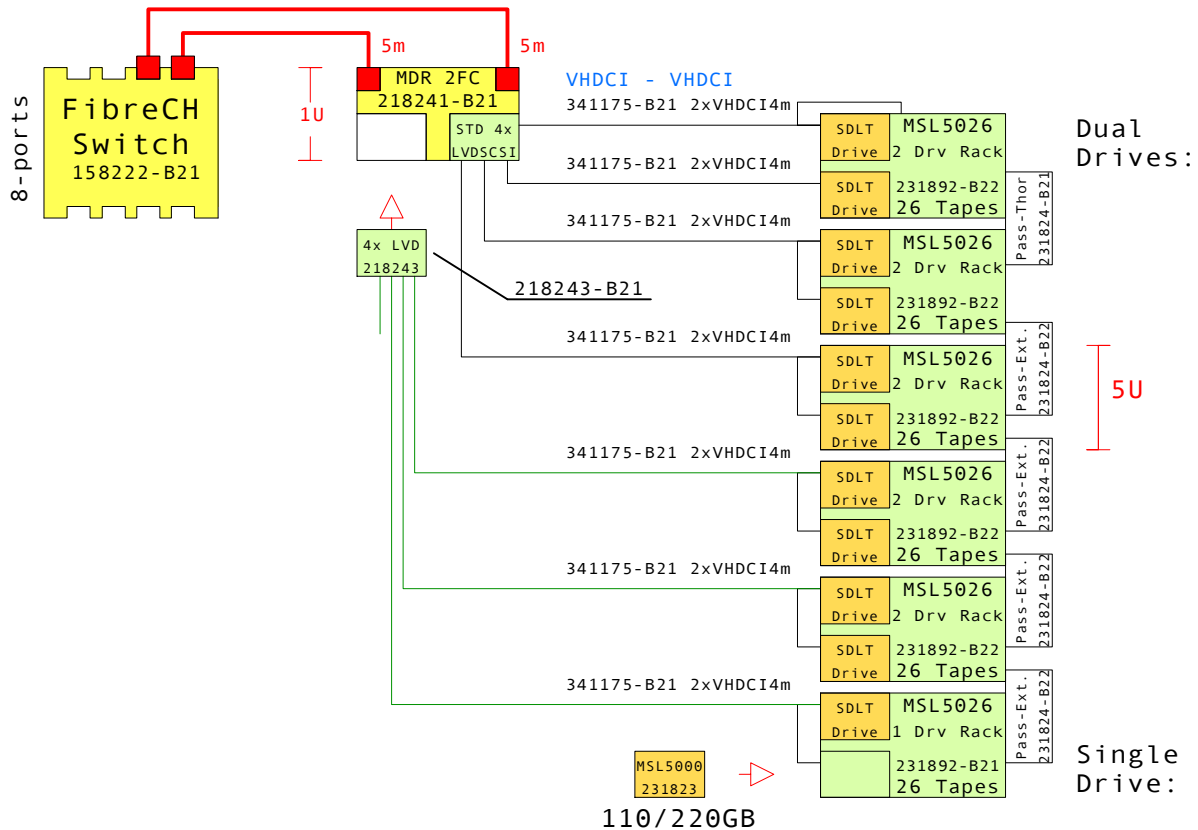


SCSI terms:

- LVD Low Voltage Differential
- HVD High Voltage Differential
- VHDCI Very High Density Cable Interconnect
- 68HD 68 pin High Density

Modular Data Router 2FC LVD

MSL5026 SDLT Library, Rack LVD



BOM of options on the left, Rack mount

Part Number	Qty	Description
3X-KZPCA-AA	1	Single channel LVD adapter
129803-B21	1	Dual CH UWD SCSI dapter LVD 2xVHDCI
158222-B21	1	SAN Switch 8 Ports
201160-B21	1	Ultra Cbl VHDCI - 68HD 10m
218241-B21	1	Mod. Data Router 2xFC, 4xLVD, 4xGBIG, 2X5m
218243-B21	1	Mod. Data Router 4-port LVDscsi option
231823-B22	1	MSL5000 Add-on Drive SDLT110/220,LVD
231824-B21	1	MSL5026 Pass-Thorough Mechanism
231824-B22	4	MSL5026 Pass-Thorough Extender
231892-B21	1	MSL5026 SDLT Lib. 1xDrive, RackM, LVD
231892-B22	5	MSL5026 SDLT Lib. 2xDrive, RackM, LVD
341175-B21	9	VHDCI to VHDCI SCSI Cable 4m

BOM of options, TableTop

Part Number	Qty	Description
231822-B21	1	MSL5026 SDLT Lib. 1xDrive, TableT, LVD
231822-B22	1	MSL5026 SDLT Lib. 2xDrive, TableT, LVD
231838-B21	1	MSL5026 SDLT Lib. No Drive, TableT, LVD

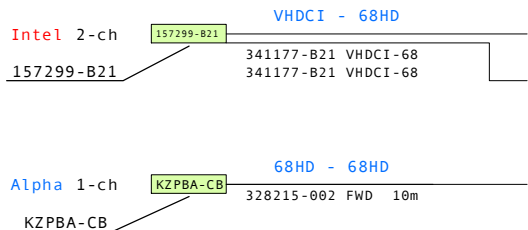
www.Compaq.com/golden-eggs

Since: Apr-2001

COMPAQ	29-Jun-2001	GTMSL5026a
	Matti.Patari@Compaq.com	

MSL5026-SDLT Library
 GOLDEN EGGS Visuals, Helsinki

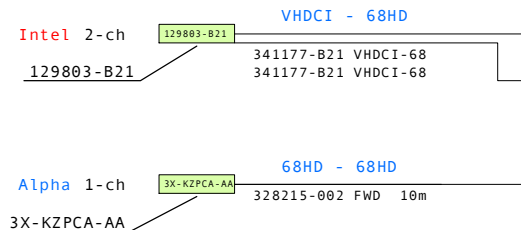
Host adapters HVD



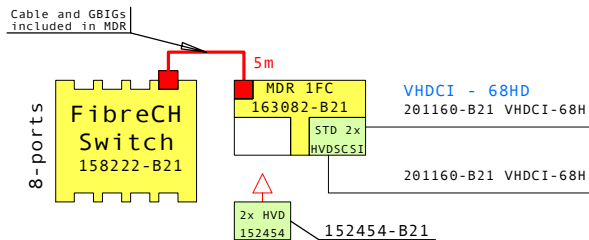
SCSI terms:

LVD Low Voltage Differential
 HVD High Voltage Differential
 VHDCI Very High Density Cable Interconnect
 68HD 68 pin High Density

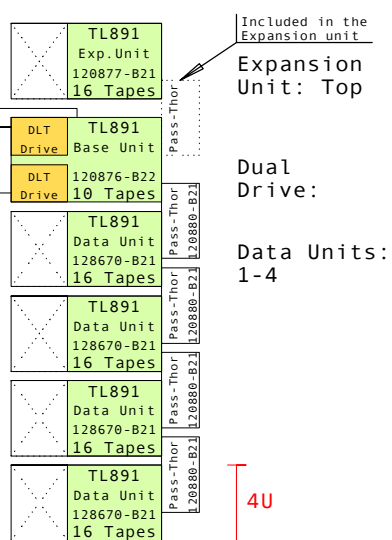
Host adapters LVD



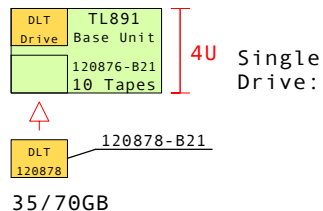
Modular Data Router 1FC HVD



TL891 Mini Library, Rack HVD



157215-021 C-kit, Eu



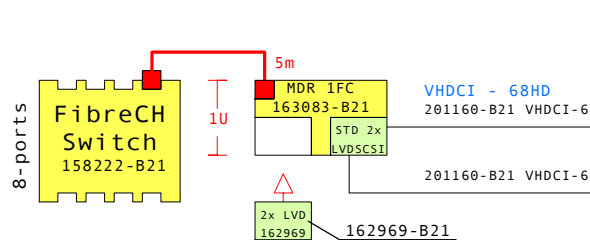
BOM of HVD options above, Rack mount

Part Number	Qty	Description
120876-B21	1	TL891 DLT Lib. 1xDrive, RackM, FWD
120876-B22	1	TL891 DLT Lib. 2xDrive, RackM, FWD
120877-B21	1	TL891 DLT Lib. Expansion Unit
120878-B21	1	TL891 Add-On 35/70 Drive
120880-B21	4	TL891 Pass-Thorough Mechanism Kit
120870-B21	4	TL891 DLT Lib. Data Unit
152454-B21	1	Mod. Data Router 2-port HVdscsi option
157215-021	1	Country Kit Europe for TL891 DLX
157299-B21	1	Dual CH UWD SCSI dapter HVD 2xVHDCI
158222-B21	1	SAN Switch 8 Ports
163082-B21	1	Mod. Data Router 1xFC, 2xHVD, 2xGBIG, 5m
201160-B21	2	Ultra Cbl VHDCI - 68HD 10m
328215-002	1	Wide Differential SCSI Cable Kit 10m
341177-B21	2	VHDCI to 68 pin SCSI Cable 12FT
KZPBA-CB	1	PCI to UltraSCSI Adapter UWdif

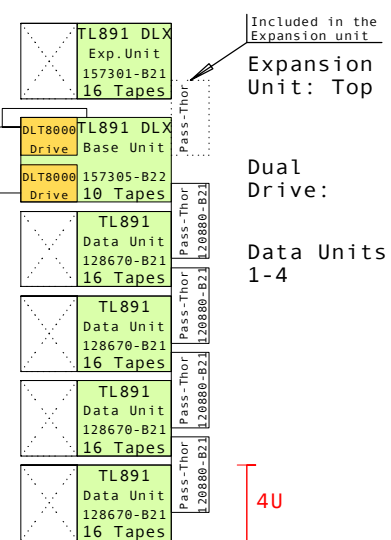
BOM of HVD options, TableTop

Part Number	Qty	Description
120875-B21	1	TL891 DLT Lib. 1xDrive, TableT, FWD
120875-B22	1	TL891 DLT Lib. 2xDrive, TableT, FWD

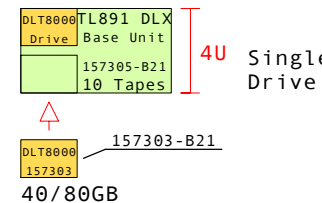
Modular Data Router 1FC LVD



TL891DLX Mini Library, Rack LVD



157215-021 C-kit, Eu



BOM of LVD options above, Rack mount

Part Number	Qty	Description
120880-B21	4	TL891 Pass-Thorough Mechanism Kit
128670-B21	4	TL891 DLT Lib. Data Unit
129803-B21	1	Dual CH UWD SCSI dapter LVD 2xVHDCI
157215-021	1	Country Kit Europe for TL891 DLX
157301-B21	1	TL891 DLX DLT Lib. Expansion Unit
157303-B21	1	TL891 DLX Add-On 40/80 Drive
157305-B21	1	TL891 DLX DLT Lib. 1xDrive, RackM, LVD
157305-B22	1	TL891 DLX DLT Lib. 2xDrive, RackM, LVD
158222-B21	1	SAN Switch 8 Ports
162969-B21	1	Mod. Data Router 2-port LVDscsi option
163083-B21	1	Mod. Data Router 1xFC, 2xLDV, 2xGBIG, 5m
201160-B21	2	Ultra Cbl VHDCI - 68HD 10m
328215-002	1	Wide Differential SCSI Cable Kit 10m
341177-B21	2	VHDCI to 68 pin SCSI Cable 12FT
3X-KZPCA-AA	1	Single channel LVD adapter

BOM of LVD options, TableTop

Part Number	Qty	Description
157300-B21	1	TL891 DLX DLT Lib. 1xDrive, TableT, LVD
157300-B22	1	TL891 DLX DLT Lib. 2xDrive, TableT, LVD

www.Compaq.com/golden-eggs

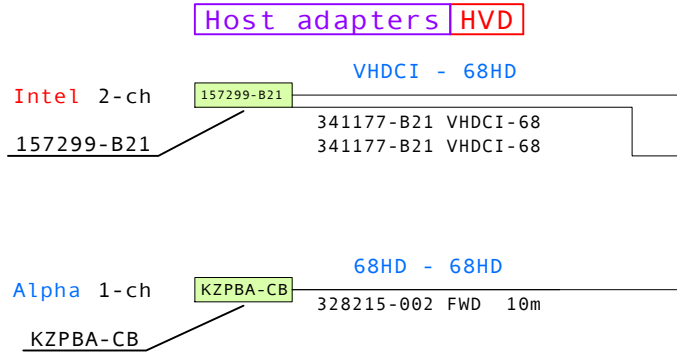
Since: Mar-2001

COMPAQ	30-Mar-2001	GTTL891a
		Matti.Patari@Compaq.com

TL891/DLX Mini-Library
 GOLDEN EGGS Visuals, Helsinki

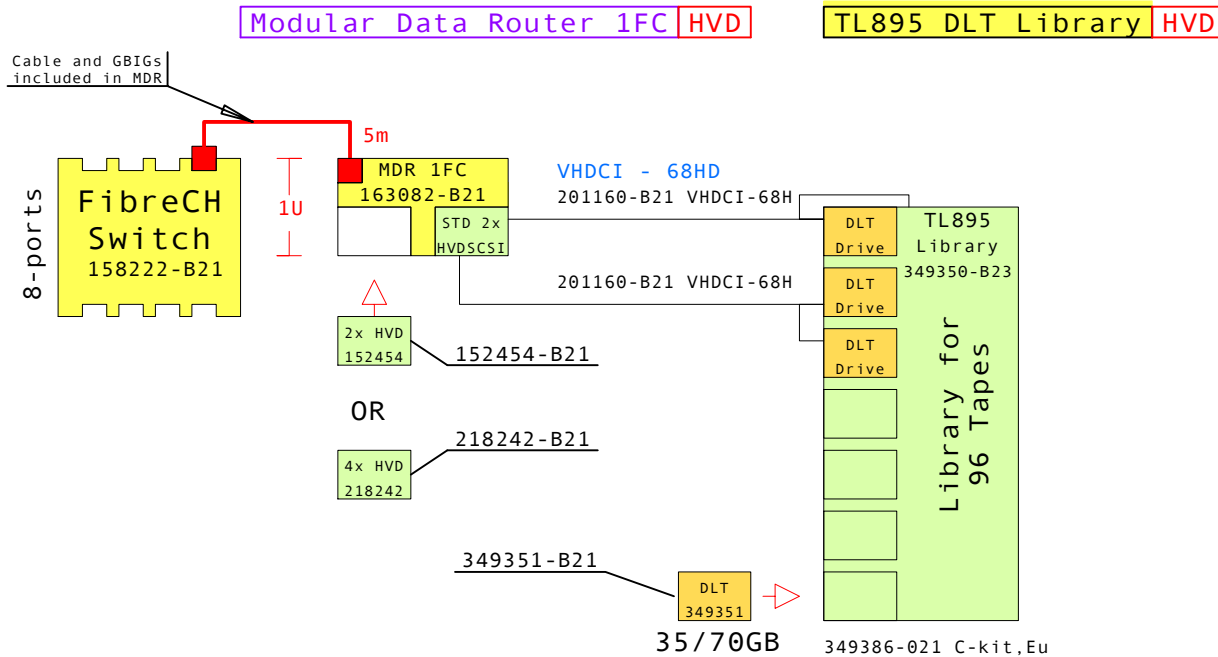
This template is included in the present GOLDEN EGGS Software kit.

TL891



SCSI tems:

- LVD Low Voltage Differential
- HVD High Voltage Differential
- VHDCI Very High Density Cable Interconnect
- 68HD 68 pin High Density



BOM of options on the left

Part Number	Qty	Description
152454-B21	1	Mod. Data Router 2-port HVDscsi option
157299-B21	1	Dual CH UWD SCSI dapter HVD 2xVHDCI
158222-B21	1	SAN Switch 8 Ports
163082-B21	1	Mod. Data Router 1xFC, 2xHVD, 2xGBIG, 5m
201160-B21	2	Ultra Cbl VHDCI - 68HD 10m
218242-B21	1	Mod. Data Router 4-port HVDscsi option
328215-002	1	Wide Differential SCSI Cable Kit 10m
341177-B21	2	VHDCI to 68 pin SCSI Cable 12FT
349350-B23	1	TL895, 96-Slots, 3-Drive, DLT-Library
349351-B21	1	TL895 DLT 35/70 Drive Upgrade
349386-021	1	Country Kit Europe for TL891 TL895
KZPBA-CB	1	PCI to UltraSCSI Adapter UWdif

Available TL895 DLT Libraries

Part Number	Qty	Description
349350-B22	1	TL895, 96-Slots, 2-Drive, DLT-Library
349350-B23	1	TL895, 96-Slots, 3-Drive, DLT-Library
349350-B24	1	TL895, 96-Slots, 4-Drive, DLT-Library
349350-B25	1	TL895, 96-Slots, 5-Drive, DLT-Library
349350-B26	1	TL895, 96-Slots, 6-Drive, DLT-Library
349350-B27	1	TL895, 96-Slots, 7-Drive, DLT-Library

www.Compaq.com/golden-eggs

Since: Mar-2001

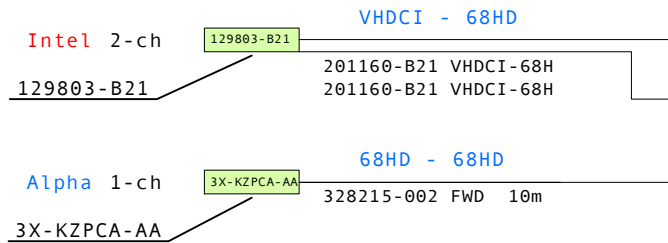
COMPAQ	30-Mar-2001	GTTL895a
	Matti.Patari@Compaq.com	

TL895 DLT Library
 GOLDEN EGGS Visuals, Helsinki

This template is included in the present GOLDEN EGGS Software kit.

TL895

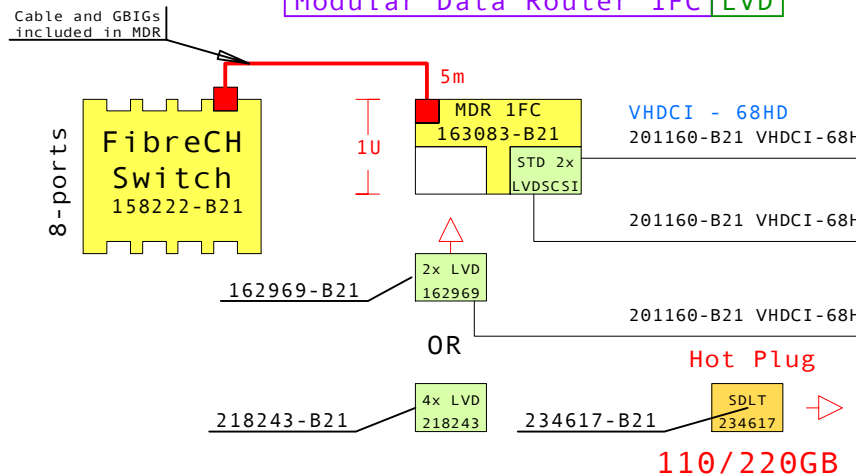
Host adapters LVD



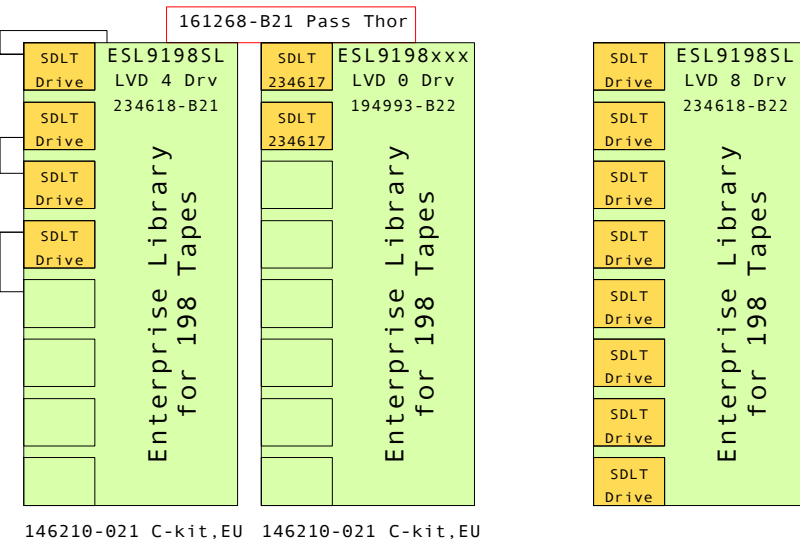
SCSI terms:

- LVD Low Voltage Differential
- HVD High Voltage Differential
- VHDCI Very High Density Cable Interconnect
- 68HD 68 pin High Density

Modular Data Router 1FC LVD



ESL9198SL Enterprise Library LVD



146210-021 C-kit,EU 146210-021 C-kit,EU

Max 5 tape libraries together

BOM of LVD options above

	Part Number	Qty	Description
1	194993-B21	1	ESL9198DLX 198-Slot, 0-Dr, DLT, LVD
1.1	234617-B21	2	ESL9k Hot-plug Drive 110/220GB LVD
2	234618-B21	1	ESL9198SL 198-Slot, 4-Dr, SDLT, LVD
3	234618-B22	1	ESL9198SL 198-Slot, 8-Dr, SDLT, LVD
4	158222-B21	1	SAN Switch 8 Ports
5	163083-B21	1	Mod. Data Router 1xFC,2xLDV,2xGBIG,5m
6	161268-B21	1	ESL9000 Pass thorough mechanism kit
7	201160-B21	5	Ultra Cbl VHDCI - 68HD 10m
8	146210-021	2	ESL9000 Power Country Kit, Europe
9	328215-002	1	Wide Differential SCSI Cable Kit 10m
10	162969-B21	1	Mod. Data Router 2-port LVDscsi option
11	218243-B21	1	Mod. Data Router 4-port LVDscsi option
12	234617-B21	1	ESL9k Hot-plug Drive 110/220GB LVD
13	129803-B21	1	Dual CH UWD SCSI dapter LVD 2xVHDCI
14	3X-KZPCA-AA	1	Single channel LVD adapter

www.Compaq.com/golden-eggs

Since: Mar-2001

COMPAQ	24-Aug-2001	GTESL9198b
	Matti.Patari@Compaq.com	

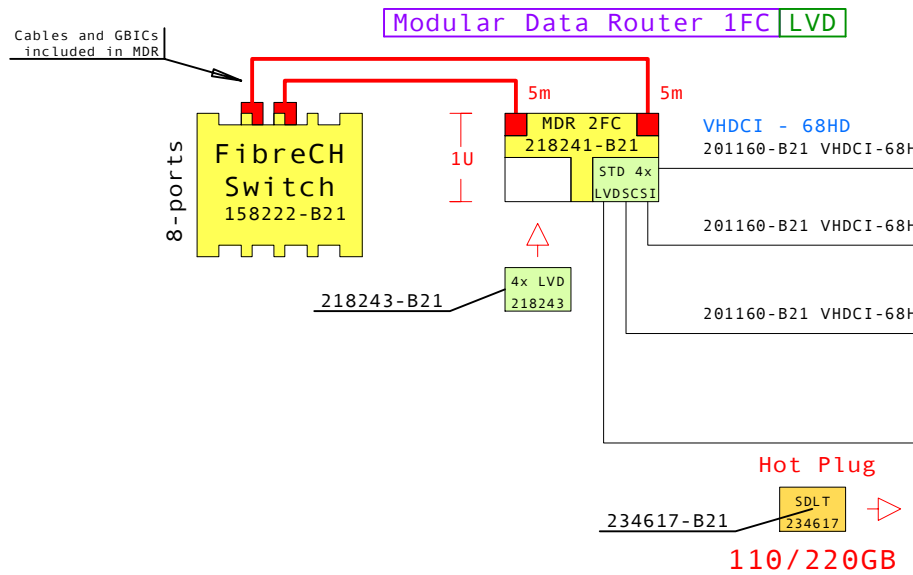
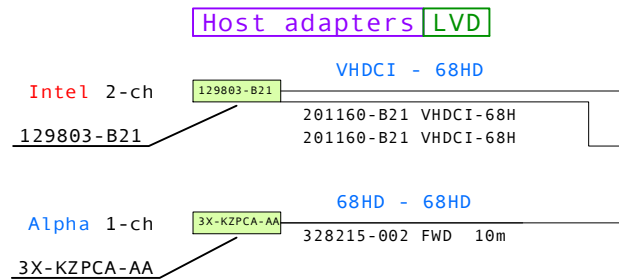
This template is included in the present GOLDEN EGGS Software kit.

ESL9198

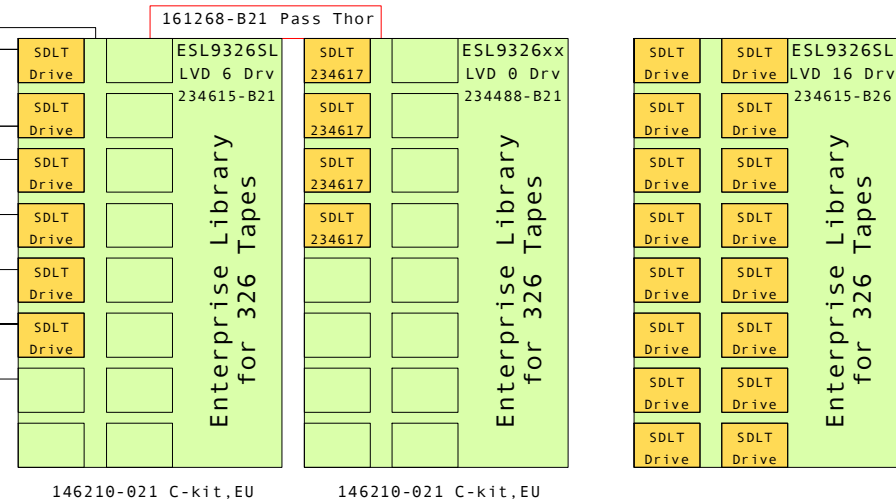
ESL9198SL Enterprise Library
 GOLDEN EGGS Visuals, Helsinki

SCSI terms:

- LVD Low Voltage Differential
- HVD High Voltage Differential
- VHDCI Very High Density Cable Interconnect
- 68HD 68 pin High Density



ESL9326SL Enterprise Library LVD



146210-021 C-kit,EU 146210-021 C-kit,EU

Max 5 tape libraries together

BOM of LVD options above

	Part Number	Qty	Description
1	234488-B21	1	ESL9326xx Library 0 driv 110/220GB LVD
1.1	234617-B21	4	ESL9k Hot-plug Drive 110/220GB LVD
2	234615-B21	1	ESL9326SL Library 6 driv 110/220GB LVD
3	234615-B26	1	ESL9326SL Library 16 driv 110/220GB LVD
4	158222-B21	1	SAN Switch 8 Ports
5	218241-B21	1	Mod. Data Router 2xFC,4xLVD,4xGBIG,2X5m
6	161268-B21	1	ESL9000 Pass thorough mechanism kit
7	201160-B21	5	Ultra Cbl VHDCI - 68HD 10m
8	328215-002	1	Wide Differential SCSI Cable Kit 10m
9	146210-021	2	ESL9000 Power Country Kit, Europe
10	218243-B21	1	Mod. Data Router 4-port LVDscsi option
11	234617-B21	1	ESL9k Hot-plug Drive 110/220GB LVD
12	129803-B21	1	Dual CH UWD SCSI dapter LVD 2xVHDCI
13	3X-KZPCA-AA	1	Single channel LVD adapter

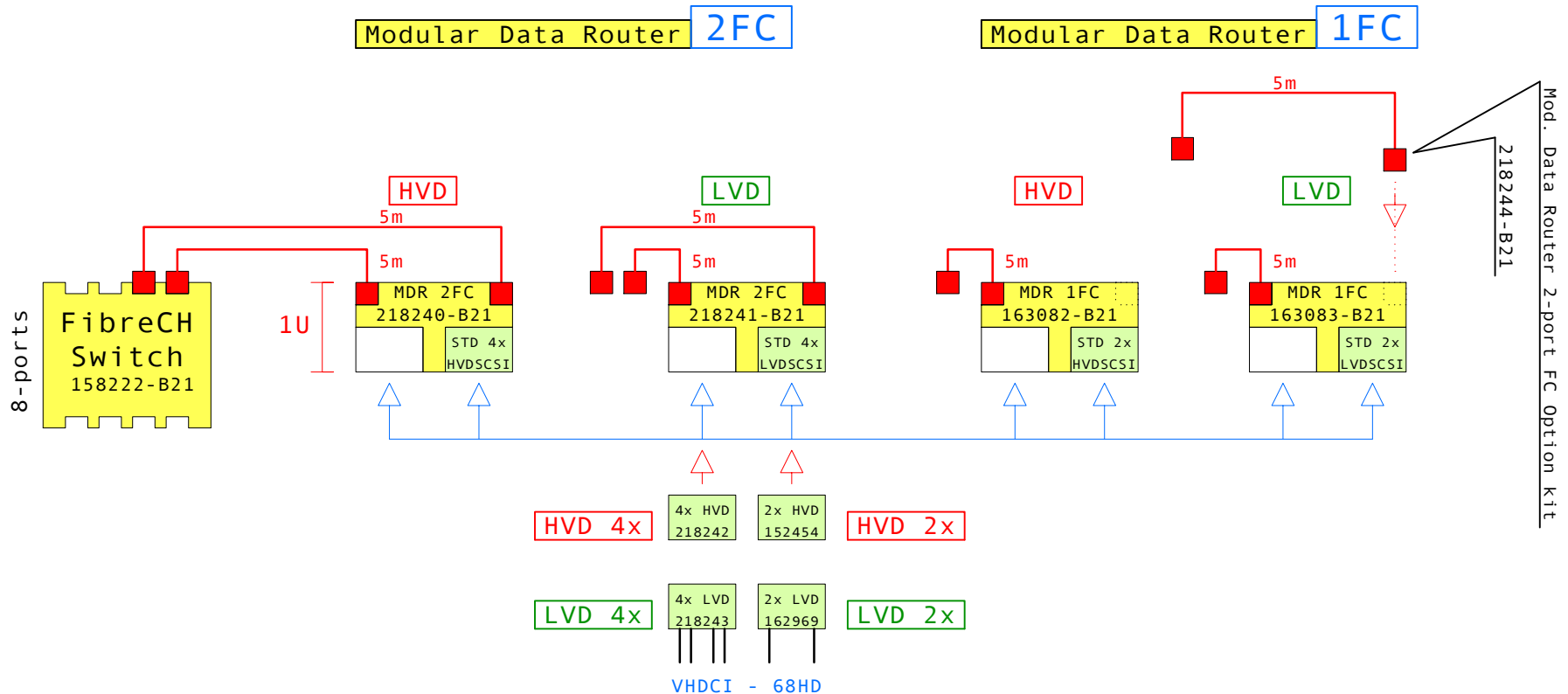
www.Compaq.com/golden-eggs
 Since: Mar-2001

COMPAQ 24-Aug-2001 GTESL9326b
 Matti.Patari@Compaq.com

ESL9326SL Enterprise Library
 GOLDEN EGGS Visuals, Helsinki

This template is included in the present GOLDEN EGGS Software kit.

ESL9326



VHDCI - 68HD
 SCSI to tape library
 2 or 4 cables included,
 6ft 341176-B21

BOM of options above

Part Number	Qty	Description
152454-B21	1	Mod. Data Router 2-port HVDscsi option
158222-B21	1	SAN Switch 8 Ports
162969-B21	1	Mod. Data Router 2-port LVDscsi option
163082-B21	1	Mod. Data Router 1xFC,2xHVD,2xGBIG,5m
163083-B21	1	Mod. Data Router 1xFC,2xLDV,2xGBIG,5m
218240-B21	1	Mod. Data Router 2xFC,4xHVD,4xGBIG,2X5m
218241-B21	1	Mod. Data Router 2xFC,4xLVD,4xGBIG,2X5m
218242-B21	1	Mod. Data Router 4-port HVDscsi option
218243-B21	1	Mod. Data Router 4-port LVDscsi option
218244-B21	1	Mod. Data Router 2-port FC Option kit

SCSI terms:

- LVD Low Voltage Differential
- HVD High Voltage Differential
- VHDCI Very High Density Cable Interconnect
- 68HD 68 pin High Density

www.Compaq.com/golden-eggs
 Since: Mar-2001

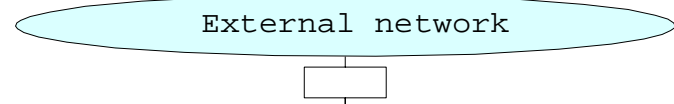
COMPAQ	23-Mar-2001	GTMDR1
	Matti.Patari@Compaq.com	

MDR Modular Data Router, FC
 GOLDEN EGGS Visuals, Helsinki

MDR

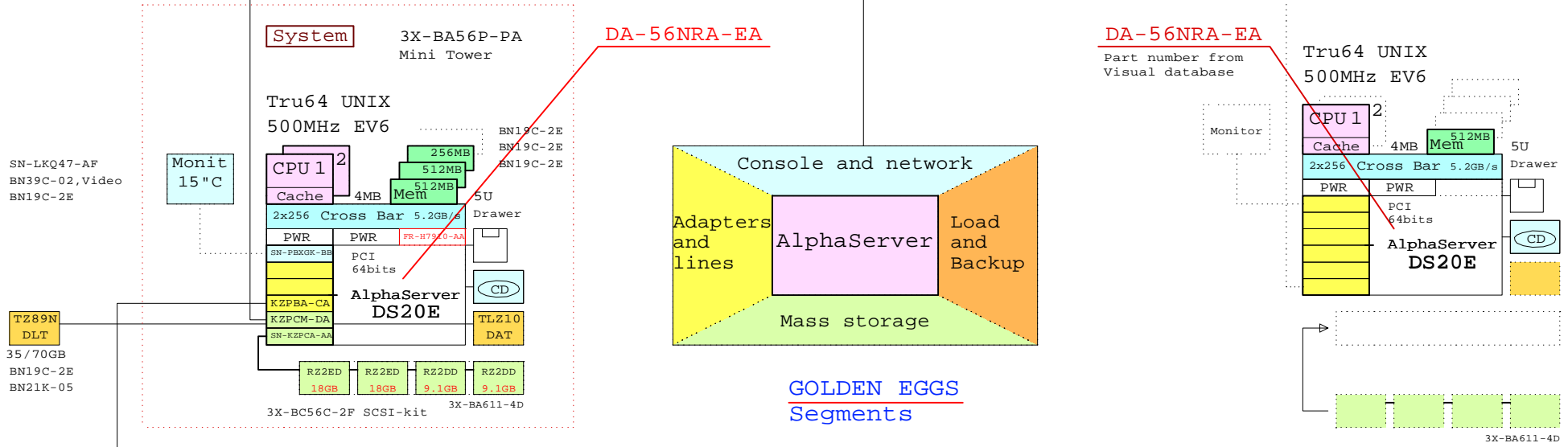
Key to GOLDEN EGGS

Ethernet



External site

Internal site



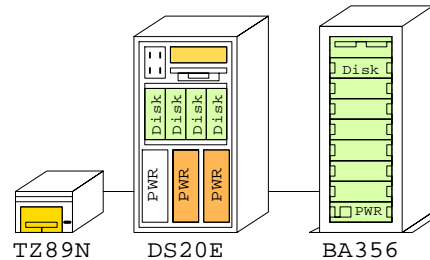
GOLDEN EGGS Segments

GOLDEN EGGS Presentation

Bill of material, BOM

Part Number	Qty	Description
1	1	3X-BA56P-PA DS20E Mini tower pedestal kit
1.1	1	3X-BC56C-2F DS20E SCSI Cable Kit
1.2	3	BN19C-2E PowerCable 240V, C-Europe
1.3	1	DA-56NRA-EA AS DS20E 6/500 512MB,Rack,UNIX
1.3.1	1	3R-VRQV5-24 COMPAQ V55 CLR MON,NH,TC095
1.3.2	1	3X-BA611-4D Disk Cage for DS20E, 4x disk
1.3.2.1	2	DS-RZ2DD-16 ES40 Disk 9.1GB 10k Ultra2 SCSI
1.3.2.2	2	DS-RZ2ED-16 ES40 Disk 18GB 10k Ultra2 SCSI
1.3.3	1	FR-H7910-AA Third power supply for DS20E
1.3.4	1	KN310-BB AS DS20E 6/500 SMP UPG UNIX
1.3.5	1	KZPBA-CA PCI to UltraSCSI Adapter UWSE
1.3.6	1	KZPCM-DA Dual Uscsi with FastEther PCI
1.3.7	1	MS340-CA DS20 256MB SDIMM MEM 4x64MB
1.3.8	1	MS340-DA DS20 512MB SDIMM MEM 4x128MB
1.3.9	1	SN-KZPCA-AA Single channel LVD adapter
1.3.10	1	SN-PBXGK-BB Elsa Gloria Synergy 8M Video Graphics
1.3.11	1	TLZ10-LB 12/24GB 4mm DAT 5.25" HH
2	1	DS-BA356-KF Pedestal Storage, UltraW, Single-Bus
2.1	2	BN19C-2E PowerCable 240V, C-Europe
2.2	1	BN38C-02 Ultra Cbl VHDCI - 68HD
2.3	1	CK-BA35X-HH 180W Stor.Shelf PWR for AS4x00
2.4	6	DS-RZ1ED-VW 18.2GB 10000r UltraSCSI disk
3	1	DS-TZ89N-TA 35/70GB SE DLT-tape TT FWSE
4	1	BN39C-02 1.8 Video Extension Cable ****
5	1	SN-LKQ47-AF 102 KEY KYBD, NON-WIN, Finnish
6	2	BN19C-2E PowerCable 240V, C-Europe
7	1	BN21K-05 68HD SCSI cable 5m

System kernel



Internet pointer to GE-libray

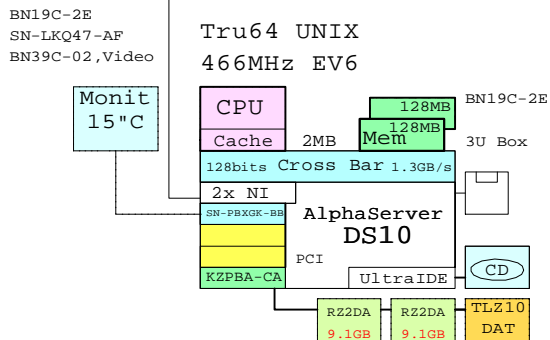
Name of the page
 - GExxxx = GOLDEN EGGS page
 - GTxxxx = GOLDEN Template
 Templates are included in GOLDEN EGGS Software kit.

Date of update

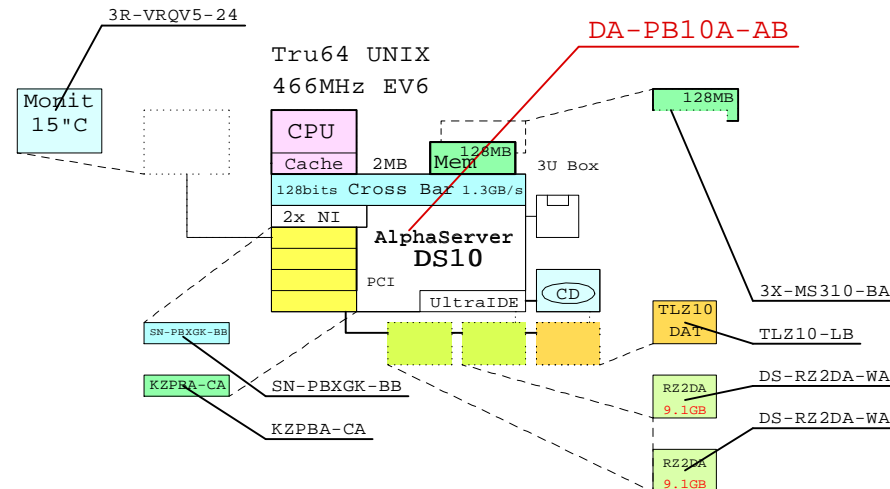
COMPAQ 05-Apr-2001 GEG00B
www.compaq.com/golden-eggs

KEY To GOLDEN EGGS
 GOLDEN EGGS Visual Configurations, Helsinki

Ethernet



These visuals make this system.



System and options have been dragged from GOLDEN EGGS menu.

Bill of Material, no price

Part Number	Qty	Description
1	1	DA-PB10A-AB 1 AS DS10 6/466 128MB UNIX
1.1	1	3R-VRQV5-24 1 COMPAQ V55 CLR MON,NH,TCO95
1.2	1	3X-MS310-BA 1 DS10 128MB DIMM MEM
1.3	1	BN19C-2E 1 PowerCable 240V, C-Europe
1.4	1	BN39C-02 1 1.8 Video Extension Cable ****
1.5	2	DS-RZ2DA-WA 2 9.1GB 7200RPM UltraSCSI Disk
1.6	1	KZPBA-CA 1 PCI to UltraSCSI Adapter UWSE
1.7	1	SN-PBXGK-BB 1 Elsa Gloria Synergy 8M Video Graphics
1.8	1	TLZ10-LB 1 12/24GB 4mm DAT 5.25" HH
2	1	SN-LKQ47-AF 1 102 KEY KYBD, NON-WIN, Finnish
3	1	BN19C-2E 1 PowerCable 240V, C-Europe

GOLDEN EGGS Software:

- This software runs on a normal office PC or Laptop.
- Tool for Compaq system designer and Sales.
- Rich Compaq product palette for Alpha and StorageWorks.
- Easy to use, just drag and drop.
- One picture talks thousands of words!
- Contains a rich set of ready made system templates.
- Bill of material, BOM, is pulled from the picture.
- Configuration pricing is available in local currency.

How to get GOLDEN EGGS Software:

Send your request to:

Matti.Patari@compaq.comm

Bill of Material with local currency, Fimk

GOLDEN EGGS Drawing: p_GEG00C Bill of Material
 Date: 1999-12-13 10:12:00
 Price file: GEFim071199.Dat

Part Number	Qty	Description	E/U OEM	Price	Sub.tot
1	1	DA-PB10A-AB 1 AS DS10 6/466 128MB UNIX	X X	34150	34150
1.1	1	3R-VRQV5-24 1 COMPAQ V55 CLR MON,NH,TCO95	N A	2086	2086
1.2	1	3X-MS310-BA 1 DS10 128MB DIMM MEM	X X	4052	4052
1.3	1	BN19C-2E 1 PowerCable 240V, C-Europe	N R	58	58
1.4	1	BN39C-02 1 1.8 Video Extension Cable ****	X X	161	161
1.5	2	DS-RZ2DA-WA 2 9.1GB 7200RPM UltraSCSI Disk	Y M	2800	5600
1.6	1	KZPBA-CA 1 PCI to UltraSCSI Adapter UWSE	Y M	2732	2732
1.7	1	SN-PBXGK-BB 1 Elsa Gloria Synergy 8M Video Graphics	N A	1799	1799
1.8	1	TLZ10-LB 1 12/24GB 4mm DAT 5.25" HH	Y M	8300	8300
2	1	SN-LKQ47-AF 1 102 KEY KYBD, NON-WIN, Finnish	N A	154	154
3	1	BN19C-2E 1 PowerCable 240V, C-Europe	N R	58	58

Grand Total: 59150

COMPAQ	05-Apr-2001	GEG00C
	Matti.Patari@Compaq.com	
GOLDEN EGGS Software, 05-Apr-01		
GOLDEN EGGS Visuals, Helsinki		

GOLDEN EGGS

World Services

Alpha Examples

<http://www.compaq.com/golden-eggs>

GOLDEN EGGS

World Station

Software kits

<http://www.compaq.com/info/golden-eggs/software>

GOLDEN EGGS in eBusiness since 1988

COMPAQ

21-Jun-2000 GE-Internet

Matti.Patari@compaq.com

GOLDEN EGGS Internet Outlets
GOLDEN EGGS Visuals, Helsinki