

Print and
staple here.

Electric GOLDEN EGGS

Visual Configurations
Rev: 19-Aug-1999

For further e-updates
please respond to:
Matti.Patari@Compaq.Com

Main index for the next 70 pages:

- KEY, Alpha families, GE-Software
- Maps: Linux Alpha, RTG and ES40 Unix
- Alpha WorkStations: XP900 and XP1000
- AlphaServer DS10: Unix, OpenVMS and Linux
- AlphaServer DS20: Unix, OpenVMS, WNT and Linux
- AlphaServer ES40: Unix, OpenVMS, WNT and Linux
- AlphaServer GS60: Unix, OpenVMS, WNT
- New --> - AlphaServer GS60E Unix, OpenVMS
- AlphaServer GS140; Unix, OpenVMS, WNT
- AlphaServer 800, 1000A, 1200, 4000 and 4100
- StorageWorks (this section is under construction)

Configured with GOLDEN EGGS Software,
Rev: 08-Jul-1999.

Internet library:
www.digital.com/golden-eggs

COMPAQ	19-Aug-1999	GEG00D
	Matti.Patari@Compaq.Com	
Electric GOLDEN EGGS		
GOLDEN EGGS Visuals, Helsinki		

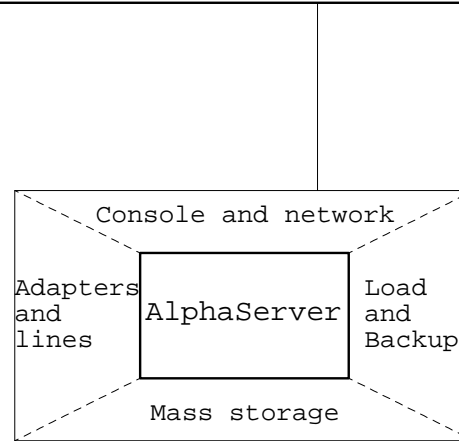
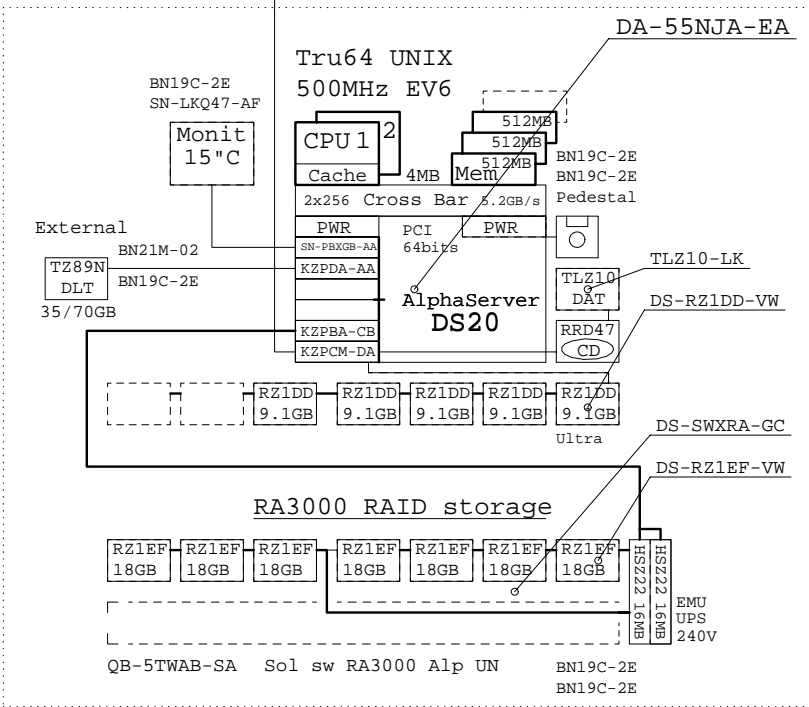
Key to GOLDEN EGGS

Ethernet

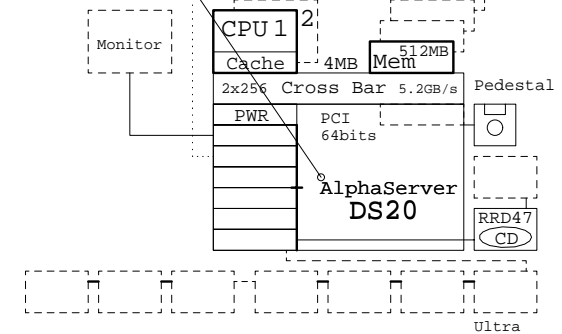
External network

External site

Internal site



DA-55NJA-EA
Part number from Visual database



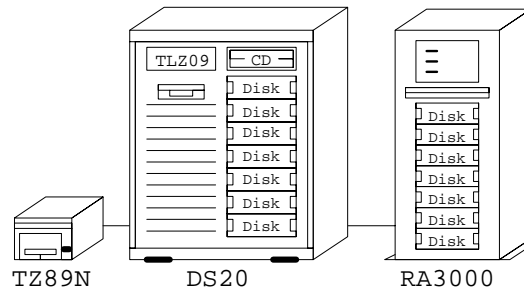
GOLDEN EGGS
Segments

GOLDEN EGGS
Presentation

Bill of material with price information,
inside this window.

GOLDEN EGGS Bill of Material
Drawing: p_GEG00B
Date: 1999-06-01 09:28:59
Price file: GEFim290599.dat

Part Number	Qty	Description	E/U OEM	Price	Sub.tot
3R-VRQV5-24	1	COMPAQ V55 CLR MON,NH,TCO95	N A	1940	1940
BN19C-2E	6	PowerCable 240V, C-Europe	N R	58	348
BN21M-02	1	2.0M Cable SCSI	N M	686	686
DA-55NJA-EA	1	AS DS20 6/500 512MB,PED,UNIX	X X	131100	131100
DS-HSZ22-AA	1	HSZ22 controller 16MB	Y M	17520	17520
DS-RZ1DD-VW	5	9.1GB 10000r UltraSCSI disk	Y M	6481	32405
DS-RZ1EF-VW	7	18.2GB 7200 UltraSCSI Disk	Y M	8066	56462
DS-SWXRA-GC	1	RA3000 Pedestal one HSZ22 240V	Y W	32410	32410
DS-TZ89N-TA	1	35/70GB SE DLT-tape TT FWSE	Y M	39740	39740
H7899-AA	1	As DS20 Power Supply	X X	7298	7298
KN310-AB	1	AS DS20 6/500 SMP UPG UNIX	X X	59700	59700
KZPBA-CB	1	PCI to UltraSCSI Adapter UWdif	Y M	4150	4150
KZPCM-DA	1	Dual Uscsi with FastEther PCI	Y M	5508	5508
KZPDA-AA	1	SCSI FWSE controller	Y M	1610	1610
MS340-DA	2	DS20 512MB SDIMM MEM 4x128MB	X X	37810	75620
QB-5TWAB-SA	1	Sol sw RA3000 Alp UNIX	Y Q	2970	2970
SN-LKQ47-AF	1	102 KEY KYBD,NON-WIN, Finnish	N A	155	155
SN-PBXGB-AA	1	PowerStorm 3D3D graphics	N A	3100	3100
TLZ10-LK	1	TLZ10 for AServr 800/1200/4000	Y M	8300	8300
Grand Total:					481022



AlphaServer DS20 system pedestals

Internet pointer to GE-library

Name of the page

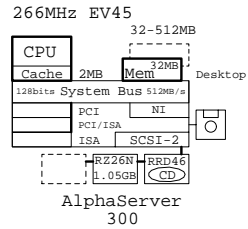
- GExxxxx = GOLDEN EGGS page
 - GTxxxxx = GOLDEN Template
- Templates are included in GOLDEN EGGS Software.

Date of update

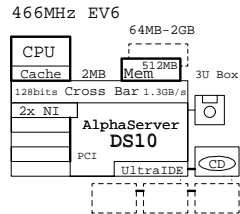
COMPAQ	01-Jun-1999	GEG00B
	www.digital.com/golden-eggs	

 To GOLDEN EGGS
GOLDEN EGGS Visual Configurations, Helsinki

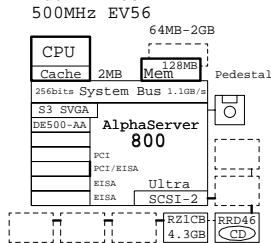
AlphaServer 300



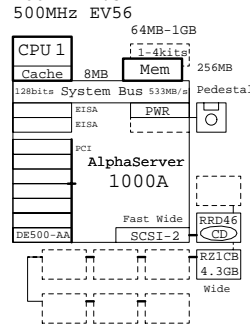
AlphaServer DS10



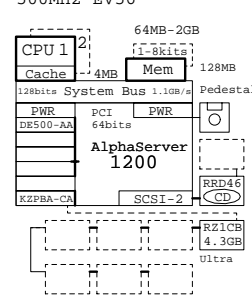
AlphaServer 800



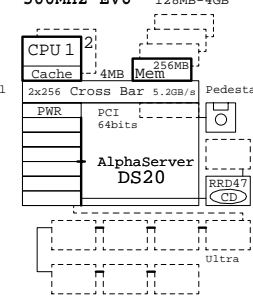
AlphaServer 1000A



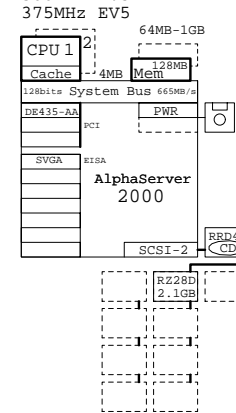
AlphaServer 1200



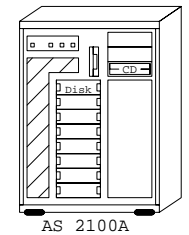
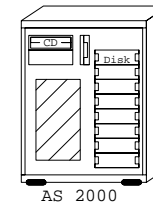
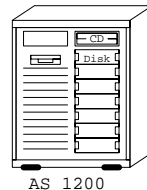
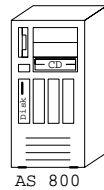
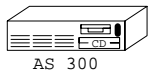
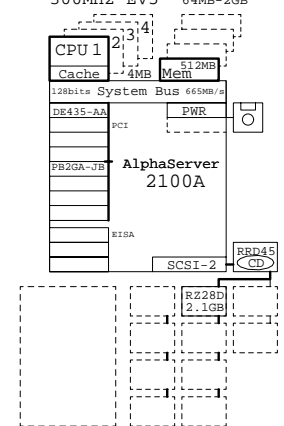
AlphaServer DS20



AlphaServer 2000



AlphaServer 2100A



① One processor architecture
Alpha 64bits

② One I/O architecture
PCI

③ Four operating systems
UNIX, OpenVMS, WNT and Linux

This configuration is generated with fresh GOLDEN EGGS Software

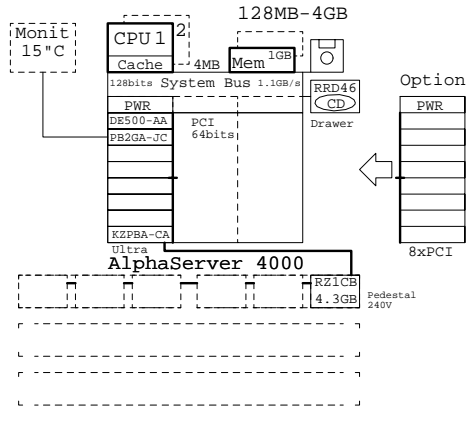
Alpha

COMPAQ 01-Jun-1999 GEA00F
www.digital.com/golden-eggs

AlphaServers 300, DS10, 800, 1000A, 1200, DS20, 2000, 2100A
GOLDEN EGGS Visual Configurations, Helsinki

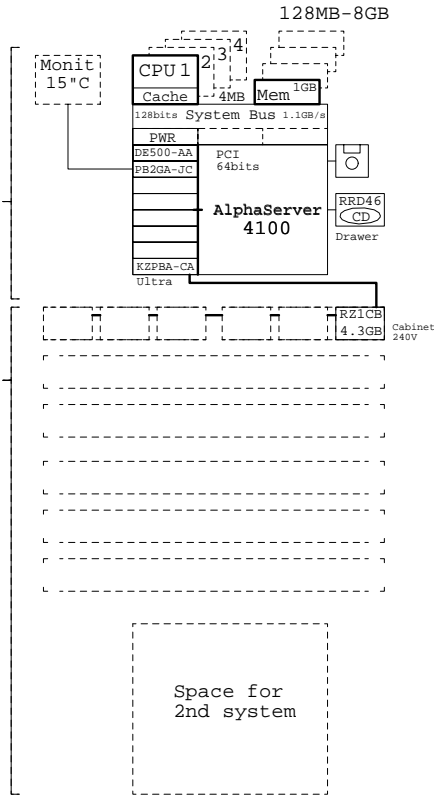
AlphaServer 4000 pedestal system

300MHz EV5
 350MHz EV5
 440MHz EV56
 533MHz EV56
 600MHz EV56 Cache 8MB



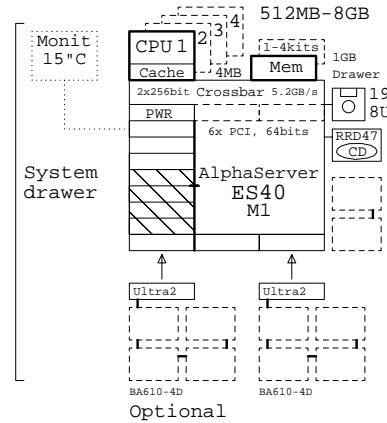
AlphaServer 4100 cabinet system

300MHz EV5
 350MHz EV5
 440MHz EV56
 533MHz EV56
 600MHz EV56 Cache 8MB



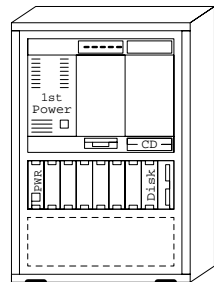
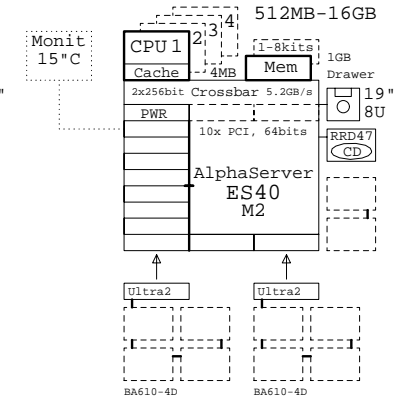
AlphaServer ES40 Model 1

500MHz EV6

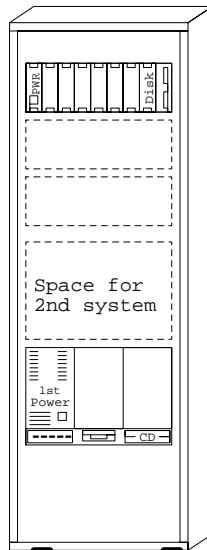


AlphaServer ES40 Model 2

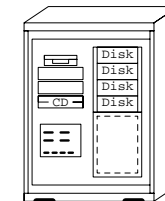
500MHz EV6



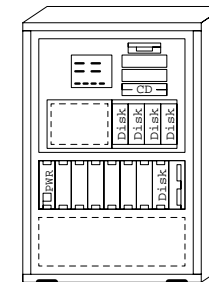
AlphaServer 4000 or
AlphaServer 4100



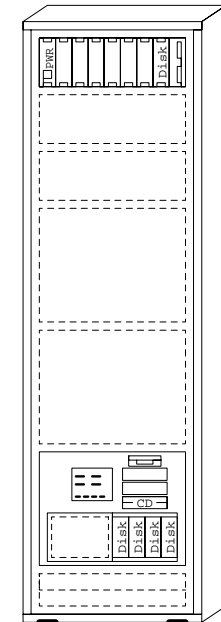
AlphaServer 4100 or
AlphaServer 4000



AlphaServer ES40
Mini-Tower



AlphaServer ES40
Pedestal



AlphaServer ES40
Cabinet M15

① One processor architecture
Alpha 64bits

② One I/O architecture
PCI

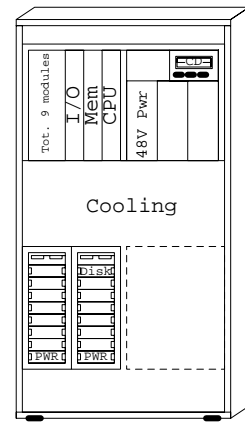
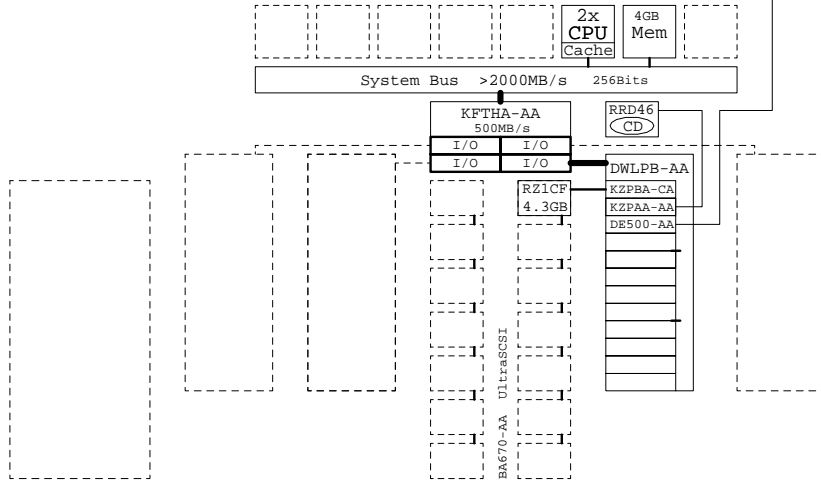
③ Four operating systems
UNIX, OpenVMS, WNT and Linux

This configuration is generated with fresh GOLDEN EGGS Software

AlphaServer GS140 expanded base server

525MHz EV6 Cache 4MB

AlphaServer GS140

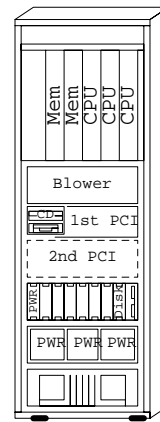
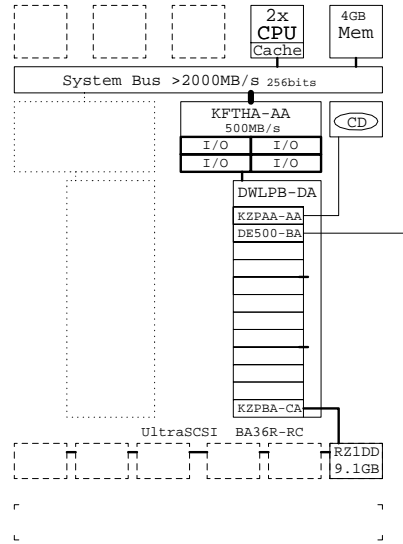


AlphaServer GS140

AlphaServer GS60E expanded base server

525MHz EV6 Cache 4MB

AlphaServer GS60E

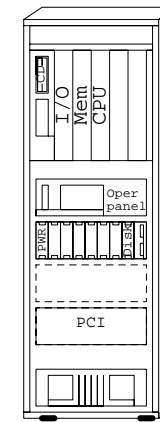
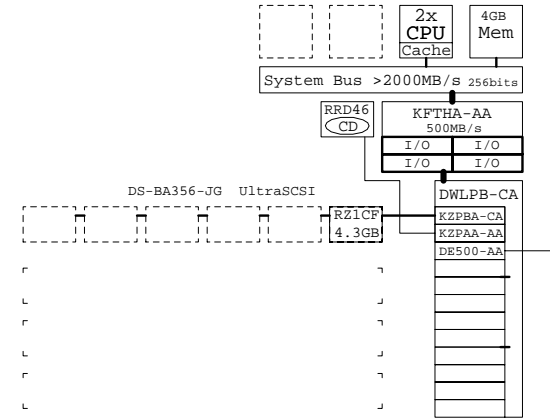


AlphaServer GS60E

AlphaServer GS60 expanded base server

525MHz EV6 Cache 4MB

AlphaServer GS60



AlphaServer GS60

① One processor architecture
Alpha 64bits

② One I/O architecture
PCI

③ Four operating systems
UNIX, OpenVMS, WNT and Linux

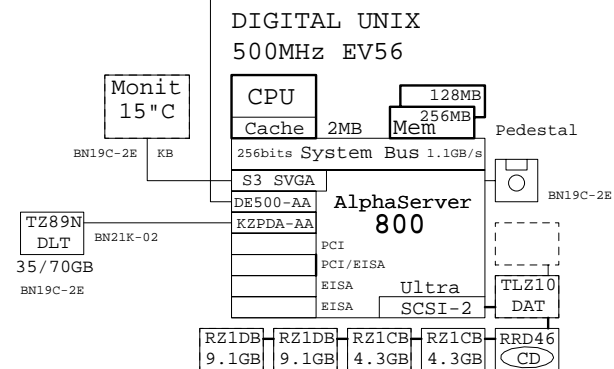
Generated with fresh GOLDEN EGGS Software, Rev:08-Jul-99

Alpha

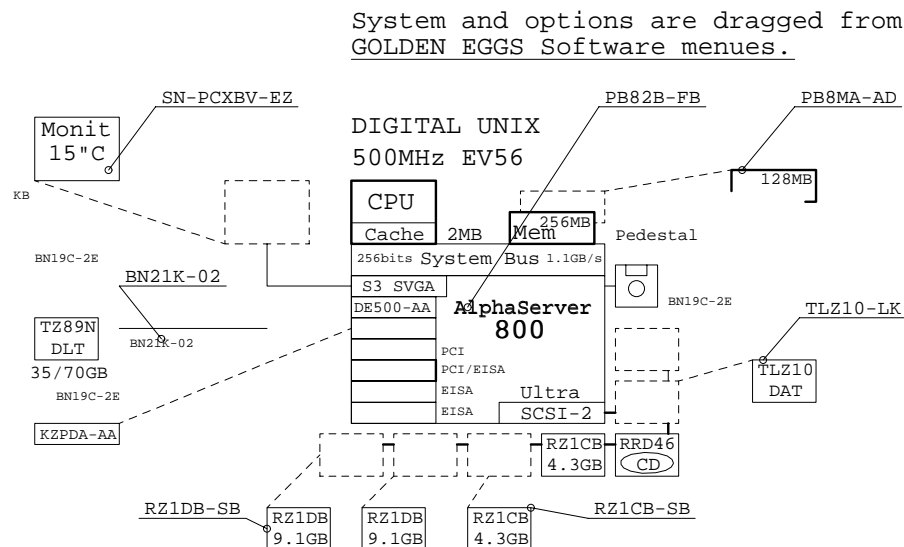
COMPAQ	20-Aug-1999	GEA00J
	www.digital.com/golden-eggs	
AlphaServer GS60 and GS140 systems		
GOLDEN EGGS Visual Configurations, Helsinki		

GOLDEN EGGS Software

Ethernet 800 single system



These visuals make this system.



System and options are dragged from GOLDEN EGGS Software menus.

Material list without prices

GOLDEN EGGS Bill of material
Output Date: 1998-05-29 11:08:48

Code	Quant.	Description
BN19C-2E	3	PowerCable 240V, C-Europe
BN21K-02	1	68HD SCSI cable 2m
DS-TZ89N-TA	1	35/70GB SE DLT-tape TT FWSE
KZPDA-AA	1	SCSI FWSE controller
LK47W-AF	1	PS/2 Finn/Swedish KB UNIX
PB8MA-AD	1	Asr800 -128MB EDO DIMM Memory
PB82B-FB	1	800 500PEDPKG,256MB,4GB,UNIX
RZ1CB-SB	1	4.3GB 7200RPM UltraSCSI DISK
RZ1DB-SB	2	9.1GB 7200RPM UltraSCSI DISK
SN-PCXBV-EZ	1	15"(13.6"VIS)MONITOR,MPRII,NH
TLZ10-LK	1	TLZ10 for AServr 800/1200/4000

Shopping list pulled from Visual Database

Material list with prices

GOLDEN EGGS Bill of material
Output Date: 1998-05-29 11:14:59

Code	Quant.	Description	Price	Sub.tot
BN19C-2E	3	PowerCable 240V, C-Europe	52	156
BN21K-02	1	68HD SCSI cable 2m	754	754
DS-TZ89N-TA	1	35/70GB SE DLT-tape TT FWSE	60920	60920
KZPDA-AA	1	SCSI FWSE controller	2674	2674
LK47W-AF	1	PS/2 Finn/Swedish KB UNIX	379	379
PB8MA-AD	1	Asr800 -128MB EDO DIMM Memory	12360	12360
PB82B-FB	1	800 500PEDPKG,256MB,4GB,UNIX	161400	161400
RZ1CB-SB	1	4.3GB 7200RPM UltraSCSI DISK	8332	8332
RZ1DB-SB	2	9.1GB 7200RPM UltraSCSI DISK	14940	29880
SN-PCXBV-EZ	1	15"(13.6"VIS)MONITOR,MPRII,NH	1910	1910
TLZ10-LK	1	TLZ10 for AServr 800/1200/4000	9800	9800

Grand Total: 288565 (prices are in FiMK)

Gross margin calculations are also available.

This configuration is generated with fresh GOLDEN EGGS Software

GOLDEN EGGS Software:

- This new software runs on a normal Pentium class PC.
- It is the tool for Compaq system planner and Sales.
- Contains a comprehensive Compaq product palette: Alpha, StorageWorks and communications.
- Good to use, drag and drop.
- Easy to understand: One picture talks thousands of words!
- Contains a rich set of ready made system templates.
- Material list with prices is pulled from Visual Database.
- Gross margin calculation is processed while painting!

How to get GOLDEN EGGS Software:

This tool is tailored for Compaq Sales and Partners. For a copy, please call your local Compaq Sales office.

I wish you good configuring with Compaq Products.
Matti.Patari@digital.com
Helsinki, Finland

COMPAQ	04-Jan-1999	GEG00C
	www.digital.com/golden-eggs	
GOLDEN EGGS Software		
GOLDEN EGGS Visual Configurations, Helsinki		

GE-Software

Quality Alpha Selling with GOLDEN EGGS Software

GOLDEN EGGS Software Rev: 08-Jul-99 runs on a normal PC.
Price: 395\$ per seat.

E-mail your Flash orders to: Matti.Patari@Compaq.Com

- Ordering number, item = GOLDEN EGGS Software
- Quantity of needed CD-kits
- Shipping address, Compaq or PARTNER
- Compaq CC: for X-charge

Immediate ordering = Immediate Air-mail shipping.

GOLDEN EGGS in eBusiness since 1988, 11 years.

COMPAQ	19-Aug-1999	HotGE
	Matti.Patari@Compaq.Com	
Selling Tool GOLDEN EGGS		
GOLDEN EGGS Visuals, Helsinki		

ES40

DS20

DS10

ES40 Model 1 Linux Ready Pedestal System

ES40 Model 1 Linux Ready Tower System

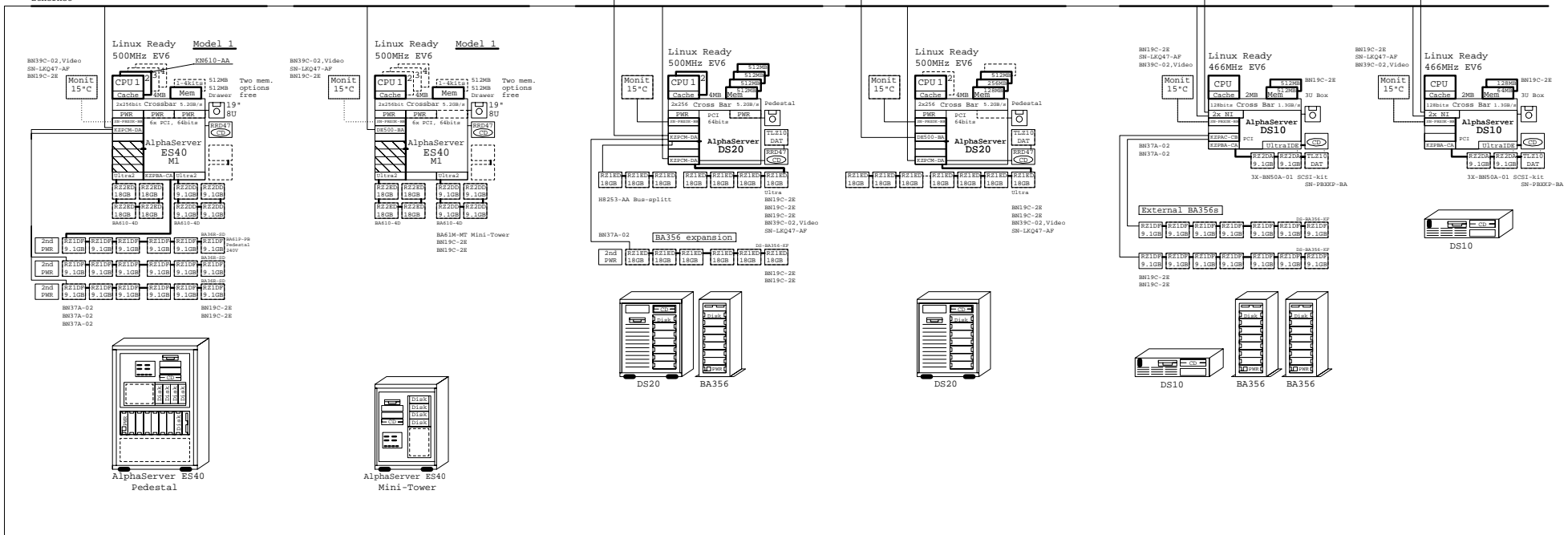
DS20 expanded Linux Ready system

DS20 Linux Ready system

DS10 Linux Ready External RAID

DS10 Linux Ready One-box

Ethernet

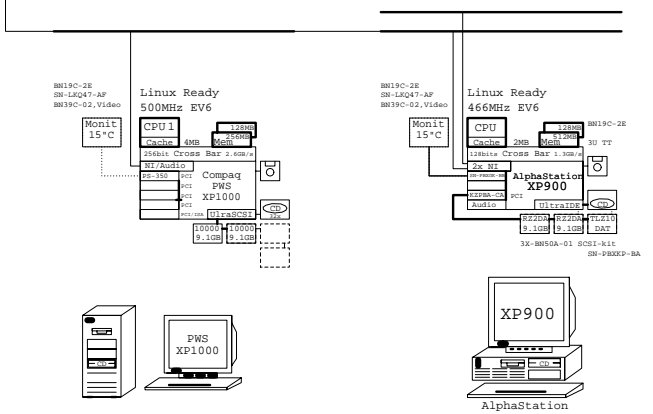


XP1000 Alpha WorkStations

XP900

XP1000 Linux Ready

XP900 Linux Ready One-box



OWLAlpha

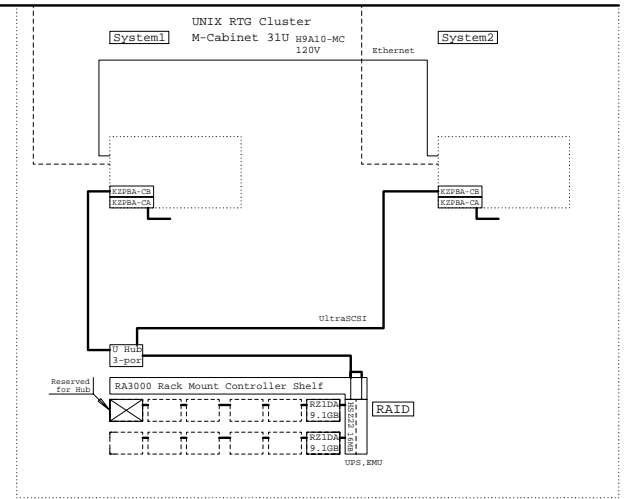
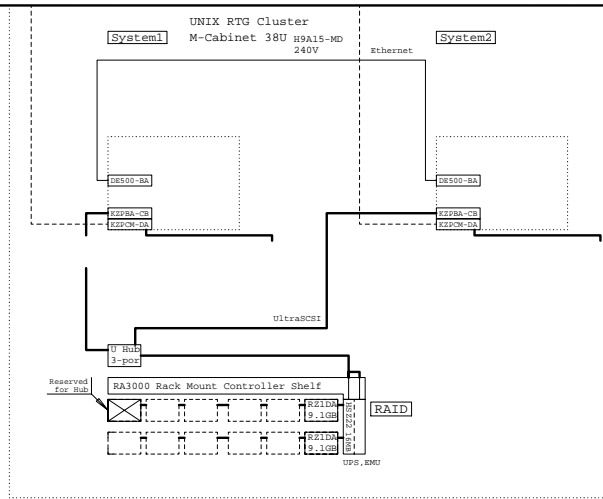
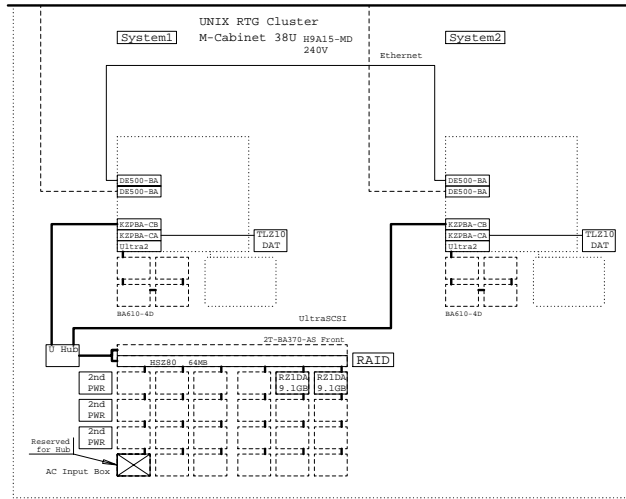
COMPAQ 05-Jul-1999 OWLAlpha Matti.Pataris@Compaq.Com

Linux Ready Alpha GOLDEN EGGS Visuals, Helsinki

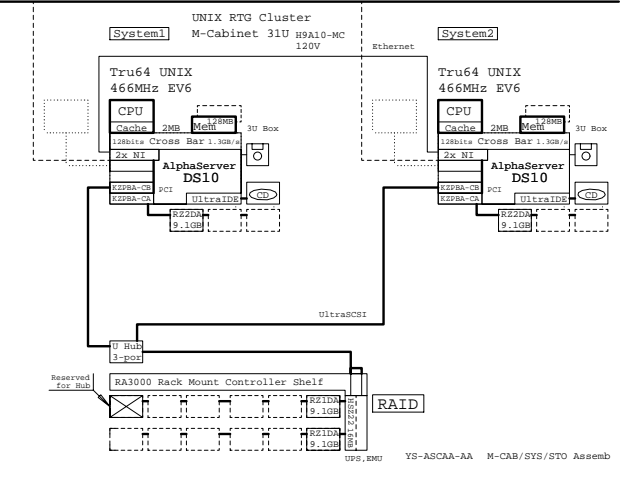
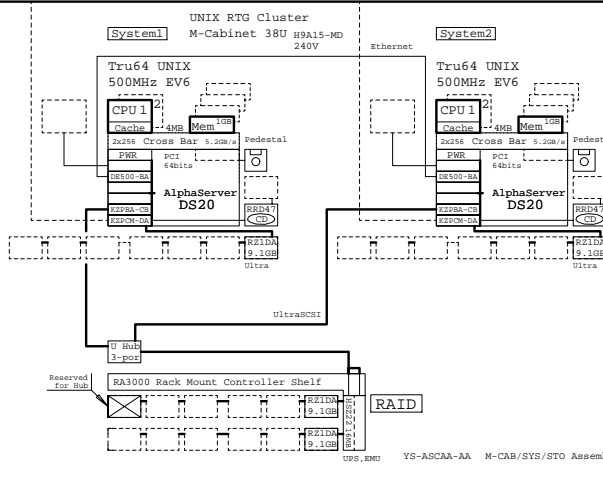
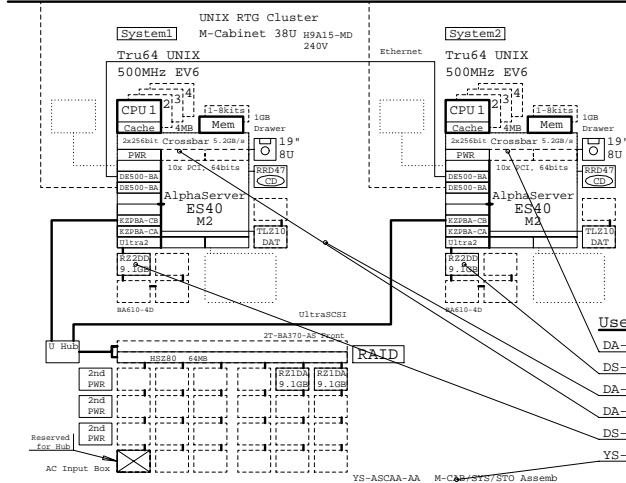
DA-AAHZA-KA RTG Cabinet 120V for ES40
 DA-AAHZA-KB RTG Cabinet 240V for ES40

DA-AAHZA-JA RTG Cabinet 120V for DS20
 DA-AAHZA-JB RTG Cabinet 240V for DS20

DA-AAHZA-HA RTG Cabinet 120V for DS10
 DA-AAHZA-HB RTG Cabinet 240V for DS10



Ethernet



- Used Parts:**
- DA-64AAA-DA
 - DS-RZ2DD-16
 - DA-AAHZA-KB
 - DA-64AAA-DA
 - DS-RZ2DD-16
 - YS-ASCAA-AA

BOM for a minimal ES40 cluster

Part Number	Qty	Description
DA-64AAA-DA	2	ES40 6/500 Model 2 1GB UNIX 10PCI DWR
DA-AAHZA-KB	1	Cabinet Unix RTG ES40 RA8000 240V
DS-RZ2DD-16	2	ES40 Disk 9.1GB 10k Ultra2 SCSI
YS-ASCAA-AA	1	M-CAB/SYS/STO Assembly

BOM for a minimal DS20 cluster

Part Number	Qty	Description
DA-55NJA-FA	2	AS DS20 6/500 1GB,PED,UNIX
DA-AAHZA-JB	1	Cabinet Unix RTG DS20 RA3000 240V
DS-RZ1DA-VW	2	9.1GB 7200r UltraSCSI disk
YS-ASCAA-AA	1	M-CAB/SYS/STO Assembly

BOM for a minimal DS10 cluster

Part Number	Qty	Description
DA-AAHZA-HA	1	Cabinet Unix RTG DS10 RA3000 120V
DA-PB10A-AB	2	AS DS10 6/466 128MB UNIX
DS-RZ2DA-WA	2	9.1GB 7200RPM UltraSCSI Disk
YS-ASCAA-AA	1	M-CAB/SYS/STO Assembly

GWURTG1

COMPAQ 05-Jul-1999 GWURTG1
 Matti.Pataric@Compaq.Com

RTG Tru64 UNIX Clusters

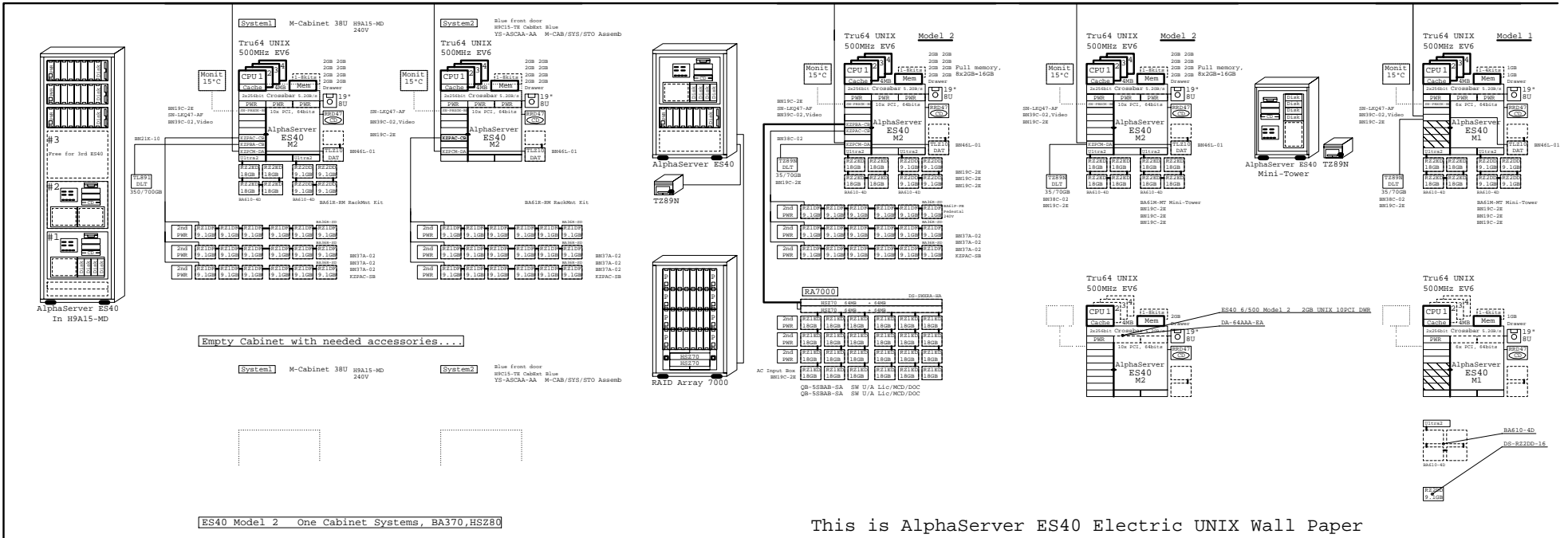
Ready to Go Tru64 UNIX Cluster
 GOLDEN EGGS Visuals, Helsinki

ES40 Model 2 Dual Single Cabinet Systems

ES40 Model 2 Pedestal System

ES40 Model 2 Tower System

ES40 Model 1 Tower System



This is AlphaServer ES40 Electric UNIX Wall Paper

This template houses several AlphaServer ES40 UNIX systems. With GOLDEN EGGS Software you can "Copy and Paste" these systems to your other GE-drawing windows.

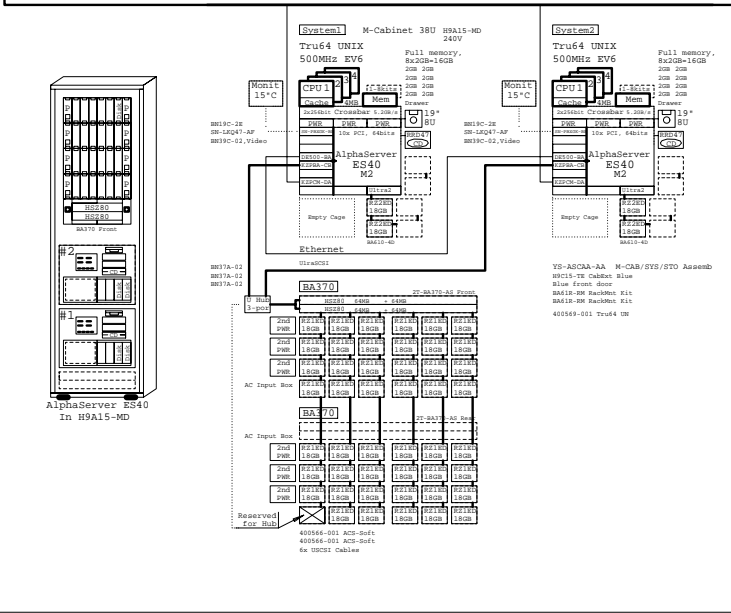
With Copy and Paste, configuration information:
 - Picture
 - Bill of Material
 - Price information
 will follow with the Paste operation

This new Extension in GOLDEN EGGS Software makes you Configuring faster and even more productive.

GOLDEN EGGS Software is the only known, Cool Alpha configuration and selling tool.

Matti.Patari@Compaq.Com

ES40 Model 2 One Cabinet Systems, BA370,HS280



AlphaStation XP900 6/466 Systems

Order number OpenVMS WorkStation systems, 64bits 466MHz

#1 SN-PB10A-AB 128MB (Disk) RX,CD,2xNI,(Graphics)
 SN-PB10A-AC 256MB
 SN-PB10A-AD 512MB

#2 Select a system disk, SCSI adapter and cable kit.

#3 Select Graphics: SN-PBXGB-AA Graphics 3D30 2D/3D

#4 SVGA color monitor #5 For 240V, select 2x power cords and one keyboard.

17" SN-VRQP7-24/23
 21" SN-VRQP1-24/23
North/South
 BN39C-02 2m ext.cable

LK461-	-AE GB	-AG G	-AM S	BN19C-2E Europe
OVMS	-AB B	-AH NL	-AN N	BN19A-2E GB
	-AD DK	-AI I	-AP F	BN19E-2E CH
	-AF FI	-AK CH	-AS E	BN19K-2E DK
				BN19M-2E I

Internal options

Memory expansion

SN-MS310-AA	64MB	Max memory
SN-MS310-BA	128MB	
SN-MS310-CA	256MB	
SN-MS310-DA	512MB	

Adapters

SN-PBXGB-AA	Powerstorm 3D30 2D/3D
SN-PBXGK-BB	ELSA Gloria Synergy 8MB
DE500-BA	Fast Ethernet 10/100
DEFPA-AB	FDDI adapter,SAS MMF
KZPBA-CB	UltraSCSI Diff, 68HD

Internal storage

Tape storage

TLZ10-LB	12/24GB DAT SCSI tape
KZPBA-CA	UltraSCSI SE adapter

Disk storage

3X-BN50A-01	SCSI Cable kit
SN-PBXRW-SC	9.1GB USCSI disk 7200
SN-PBXRW-VA	9.1GB USCSI disk 10000
SN-PBXRW-TB	18 GB USCSI disk 7200

KZPAC-CB	RAID 3-port, 8MB cache
KZPSC-UB	Cache battery

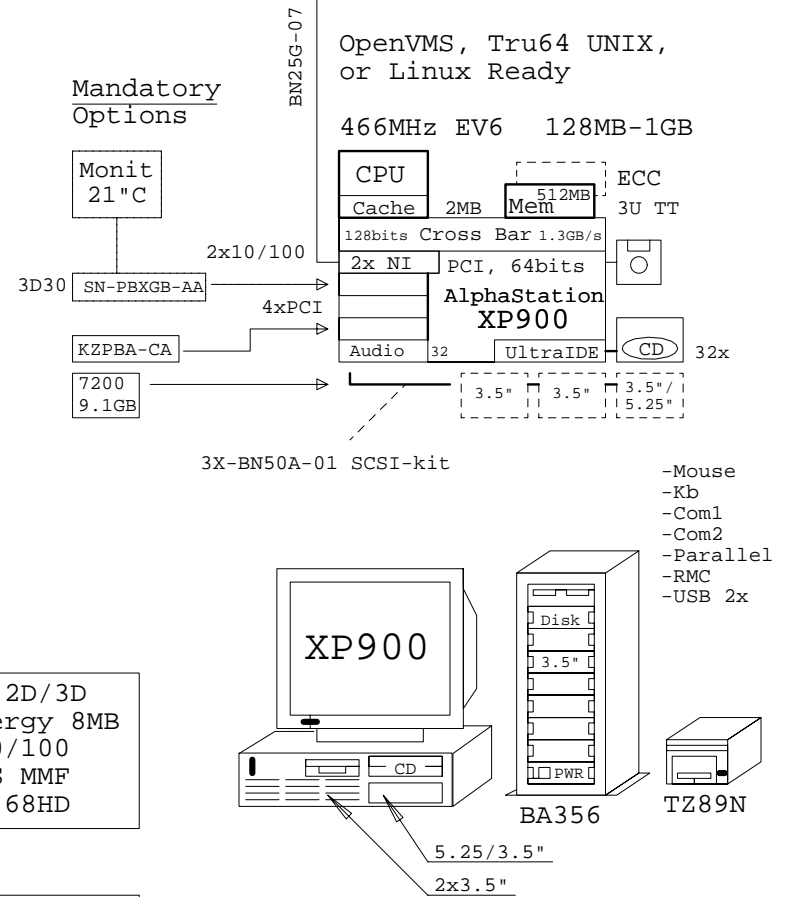
External options

Tape storage

DS-TZ89N-TA	35/70GB DLT tape,TT
BN21K-02	SCSI cable, FWD
BN19C-2E	Power cord, Europe
KZPBA-CA	UltraSCSI SE adapter

Disk storage

DS-BA356-KF	Pedestal, single bus
DS-BA356-KG	Pedestal, split bus
BN37A-02	2m SCSI,VHDCI-VHDCI
BN19C-2E	Power cord, Europe
KZPAC-AA	RAID 1-port, 4MBCache
DS-RZ1CF-VW	4.3GB UltraSCSI disk
DS-RZ1DF-VW	9.1GB UltraSCSI disk



Licenses included:

- OpenVMS V7.1-2, Base license and DIGITAL Enterprise Integration Package.

@466MHz

SPECint95 24
 SPECfp95 45

Software Processor Code: E

COMPAQ	06-Jul-1999	GEAXP9
	www.digital.com/golden-eggs	

Compaq AlphaStation XP900 Systems
 GOLDEN EGGS Visual Configurations, Helsinki

Professional Workstation XP1000

Order number Oper.system WorkStation systems, 64bits 500MHz

#1 SN-E2F6Q-*A Tru64 UNIX 128MB 4.3GB CD,RX,NI ELSA GLoria Synergy
 SN-E2F6Q-*B Tru64 UNIX 256MB 9.1GB CD,RX,NI PowerStorm 300
 SN-E2F6Q-*C Tru64 UNIX 256MB 9.1GB CD,RX,NI PowerStorm 350

Country kit ↑ ←A=US, J=Japan local, H=Japan Engl, C=Chinese, E=NO European kit included

SN-E2F6Q-*H Windows NT 128MB 4.3GB CD,RX,NI ELSA GLoria Synergy
 SN-E2F6Q-*I Windows NT 256MB 9.1GB CD,RX,NI PowerStorm 300
 SN-E2F6Q-*J Windows NT 256MB 9.1GB CD,RX,NI PowerStorm 350

Country kit ↑ ←V=US, J=Japan local, H=Japan Engl, C=Chinese, E=NO European kit included

#2 #3 For Europe: Select one country kit and keyboard.

	UNIX:	WNT:
Cntry kit:	SN-PBB0U-**	SN-PBB0P-**
Keyboard:	SN-LKQ47-**	SN-LKQ97-**

-AE GB	-AG G	-AM S
-AB B	-AH NL	-AN N
-AD DK	-AI I	-AP F
-AF FI	-AK CH	-AS E

#4 SVGA color monitor

17"	SN-VRQP7-24/23
21"	SN-VRQP1-24/23
	North/South
BN39C-02	2m ext.cable

Internal options

Memory expansion

SN-MSP01-KA	128MB	Max memory
SN-MSP01-KB	256MB	
SN-MSP01-KC	512MB	2x 512MB = 1GB

Adapters

SN-PBXGB-AA	Powerstorm 3D30 2D/3D
SN-DE500-BA	Fast Ethernet 10/100
SN-DEFPA-AB	FDDI adapter,SAS MMF

Internal storage

Tape storage

SN-TLZ10-LK 12/24GB DAT SCSI tape

Disk storage

SN-PBXRW-RB 4.3GB USCSI disk 10k
 SN-PBXRW-VA 9.1GB USCSI disk 10k
 SN-PBXRW-WA 18.2GB USCSI disk 10k

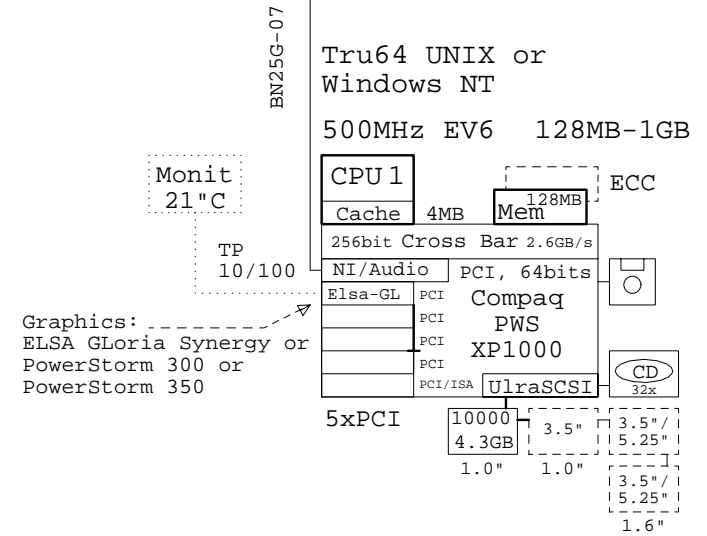
KZPAC-CB RAID 3-port, 8MB cache
 KZPSC-UB Cache battery

External options

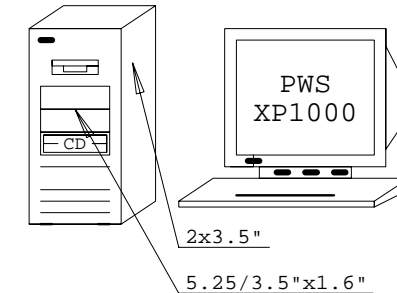
Disk storage

DS-BA356-KF Pedestal, single bus
 DS-BA356-KG Pedestal, split bus
 BN37A-02 2m SCSI,VHDCI-VHDCI
 BN19C-2E Power cord, Europe
 KZPAC-AA RAID 1-port, 4MBCache

DS-RZ1CF-VW 4.3GB UltraSCSI disk
 DS-RZ1DF-VW 9.1GB UltraSCSI disk



Graphics:
 ELSA GLoria Synergy or
 PowerStorm 300 or
 PowerStorm 350



-Mouse
 -Kb
 -Com1
 -Com2
 -Parallel
 -RMC
 -USB 2x

Licenses included:

- Tru64 UNIX V4.0E, UNIX base license, two-user license.
- Windows NT 4.0 base license

@500MHz

SPECint95 26
 SPECfp95 49

Software Processor Code: E

COMPAQ	06-May-1999	GEAXP1
	www.digital.com/golden-eggs	

Professional Workstation XP1000
 GOLDEN EGGS Visual Configurations, Helsinki

AlphaServer DS10 6/466 Systems

Order number	Operating system	Server systems, 64bits 466MHz
#1 DA-PB10A- -AB 128MB -AC 256MB -AD 512MB	Tru64 UNIX	(Disk) RX,CD,NI, (Graphics)
DY-PB10A-**	OpenVMS	(Disk) RX,CD,NI, (Graphics)
DN-PB10A-**	Windows NT	(Disk) RX,CD,NI, (Graphics)
DJ-PB10A-B*	Linux	(Disk) RX,CD,NI, (Graphics)

#2 Select a system disk, SCSI adapter and cable kit.

#3 SVGA color monitor #4 For 240V, select 2x power cords and one keyboard.

15" 3R-VRQV5-24/11	SN-LKQ47	-AE GB	-AG G	-AM S	BN19C-2E Europe
17" SN-VRQP7-24/23	UNIX, Lin	-AB B	-AH NL	-AN N	BN19A-2E GB
North/South	SN-LKQ97	-AD DK	-AI I	-AP F	BN19E-2E CH
BN39C-02 2m ext.cable	WNT	-AF FI	-AK CH	-AS E	BN19K-2E DK
	LK461				BN19M-2E I
	OVMS				

Internal options

Memory expansion

3X-MS310-AA	64MB	<u>Max memory</u>
3X-MS310-BA	128MB	
3X-MS310-CA	256MB	
3X-MS310-DA	512MB	
		2x 512MB = 1GB

Internal storage

Tape storage

TLZ10-LB	12/24GB DAT SCSI tape
SN-PBXKP-BA	Wide to narrow adapt
KZPBA-CA	UltraSCSI SE adapter

Disk storage

3X-RE56A-AA	10GB IDE disk 5400
3X-BN50A-01	SCSI Cable kit
DS-RZ2DA-WA	9.1GB USCSI disk 7200
DS-RZ1DD-WA	9.1GB USCSI disk 10000
DS-RZ2EA-VA	18 GB USCSI disk 7200
KZPAC-CB	RAID 3-port, 8MB cache
KZPSC-UB	Cache battery
3X-PBX01-AB	H9Axx Cabinet shelf kit

Adapters

SN-PBXGK-BB	ELSA Gloria Syn. 8MB
DE500-BA	Fast Ethernet 10/100
DEFPA-AB	FDDI adapter, SAS MMF
KZPBA-CB	UltraSCSI Diff, 68HD

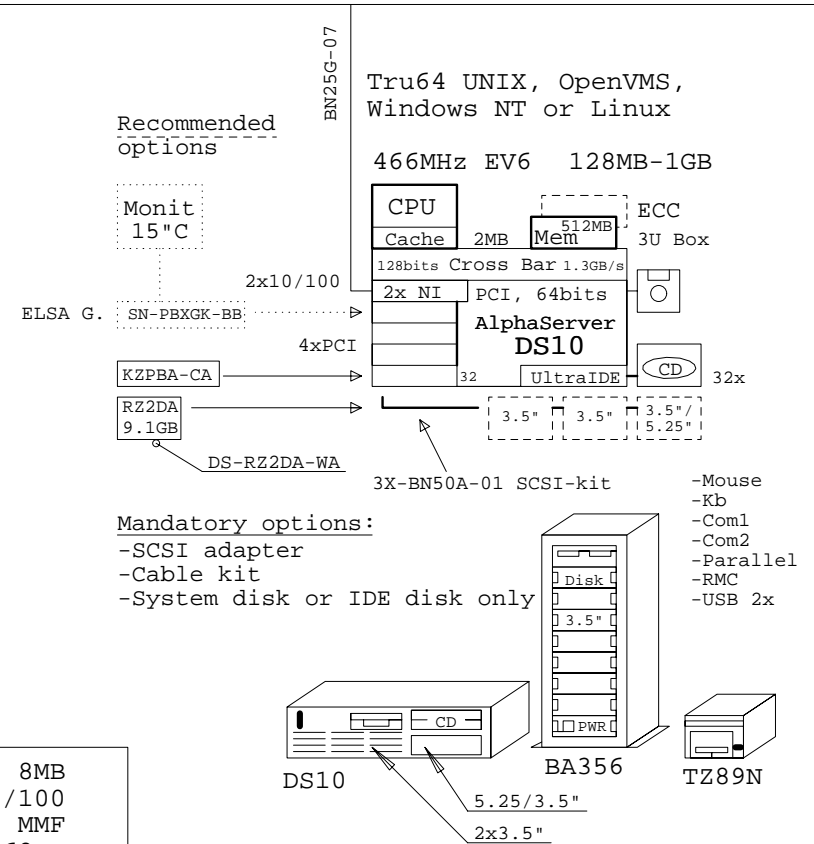
External options

Tape storage

DS-TZ89N-TA	35/70GB DLT tape, TT
BN21K-02	SCSI cable, FWD
BN19C-2E	Power cord, Europe
KZPBA-CA	UltraSCSI SE adapter

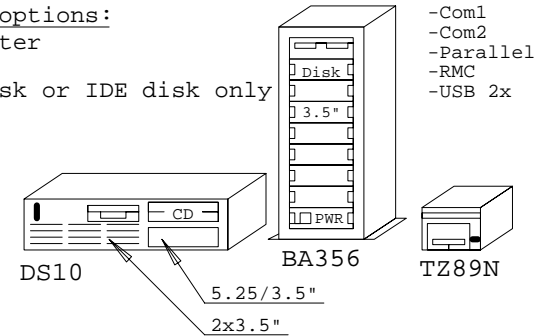
Disk storage

DS-BA356-KF	Pedestal, single bus
DS-BA356-KG	Pedestal, split bus
BN37A-02	2m SCSI, VHDCI-VHDCI
BN19C-2E	Power cord, Europe
KZPAC-AA	RAID 1-port, 4Mbcache
DS-RZ1DA-VW	9.1GB UltraSCSI disk
DS-RZ1EA-VW	18 GB UltraSCSI disk



Mandatory options:

- SCSI adapter
- Cable kit
- System disk or IDE disk only



Licenses included:

- Tru64 UNIX V4.0F, Base license, Unlimited User license, Server Extension license, and Internet Access Software license and Netscape's Enterprise Server.
- OpenVMS V7.1-2, Base license and DIGITAL Enterprise Integration Package.

@466MHz

SPECint95	24
SPECfp95	45

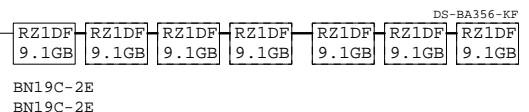
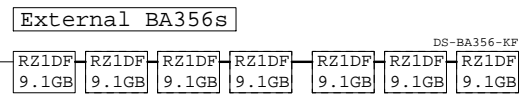
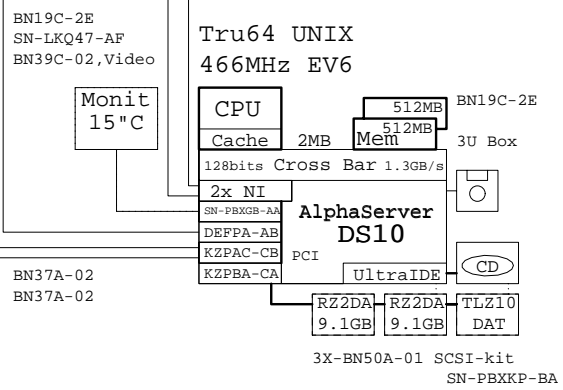
Software Processor Code: E

COMPAQ	17-Aug-1999	GEADS101
	www.digital.com/golden-eggs	

Compaq AlphaServer DS10 Systems
GOLDEN EGGS Visual Configurations, Helsinki

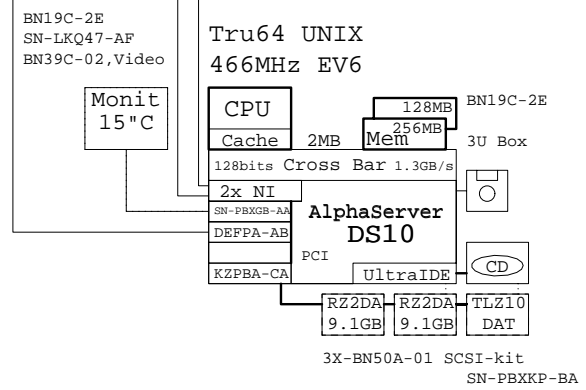
Ethernet DS10 UNIX Uscsi-based + External RAID DS10 UNIX One-box
 Ethernet
 FDDI

QA-054AA-H8 SW LP PKG U/A CDRM/D
 QA-MT4AA-GZ Dig UNIX Alpha DOC F
 QA-MT4AA-H8 Dig UNIX Alpha CDROM



Bill of Material for Uscsi-system

Part Number	Qty	Description
3R-VRQV5-24	1	COMPAQ V55 CLR MON,NH,TCO95
3X-BN50A-01	1	DS10/VS10 SCSI Cable Kit
3X-MS310-DA	1	DS10 512MB DIMM MEM
BN19C-2E	4	PowerCable 240V, C-Europe
BN37A-02	2	Ultra Cbl VHDCI - VHDCI
BN39C-02	1	1.8 Video Extension Cable ****
DA-PB10A-AD	1	AS DS10 6/466 512MB UNIX
DEFFPA-AB	1	PCI to FDDI SAS
DS-BA356-KF	2	Pedestal Storage, UltraW, Single-Bus
DS-RZ1DF-VW	14	9.1GB 7200 UltraSCSI 16bit
DS-RZ2DA-WA	2	9.1GB 7200RPM UltraSCSI Disk
KZPAC-CB	1	3 Chan. SCSI RAID 8MB UltraW
KZPBA-CA	1	PCI to UltraSCSI Adapter UWSE
QA-054AA-H8	1	SW LP PKG U/A CDRM/DOC
QA-MT4AA-GZ	1	Dig UNIX Alpha DOC Full
QA-MT4AA-H8	1	Dig UNIX Alpha CDROM
SN-LKQ47-AF	1	102 KEY KYBD, NON-WIN, Finnish
SN-PBXGB-AA	1	PowerStorm 3D3D graphics
SN-PBXKP-BA	1	WIDE TO NARROW SCSI ADAPTER
TLZ10-LB	1	12/24GB 4mm DAT 5.25" HH



Bill of Material for one-box system

Part Number	Qty	Description
3R-VRQV5-24	1	COMPAQ V55 CLR MON,NH,TCO95
3X-BN50A-01	1	DS10/VS10 SCSI Cable Kit
3X-MS310-BA	1	DS10 128MB DIMM MEM
BN19C-2E	2	PowerCable 240V, C-Europe
BN39C-02	1	1.8 Video Extension Cable ****
DA-PB10A-AC	1	AS DS10 6/466 256MB UNIX
DEFFPA-AB	1	PCI to FDDI SAS
DS-RZ2DA-WA	2	9.1GB 7200RPM UltraSCSI Disk
KZPBA-CA	1	PCI to UltraSCSI Adapter UWSE
QA-054AA-H8	1	SW LP PKG U/A CDRM/DOC
QA-MT4AA-GZ	1	Dig UNIX Alpha DOC Full
QA-MT4AA-H8	1	Dig UNIX Alpha CDROM
SN-LKQ47-AF	1	102 KEY KYBD, NON-WIN, Finnish
SN-PBXGB-AA	1	PowerStorm 3D3D graphics
SN-PBXKP-BA	1	WIDE TO NARROW SCSI ADAPTER
TLZ10-LB	1	12/24GB 4mm DAT 5.25" HH

COMPAQ 05-Jul-1999 GTAUDS101
www.digital.com/golden-eggs

AlphaServer DS10 UNIX systems
 GOLDEN EGGS Visual Configurations, Helsinki

This template is included in the present GOLDEN EGGS Software kit.

DS10 UNIX

DS10 One Cabinet Tru64 UNIX Cluster

Ethernet

FDDI

UNIX RTG Cluster

System1

M-Cabinet 31U H9A10-MD
240V

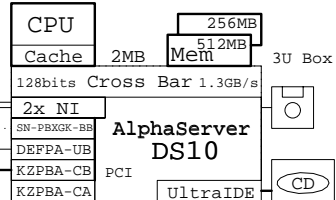
System2

Ethernet

BN19C-2E
SN-LKQ47-AF
BN39C-02, Video

Monit
15"C

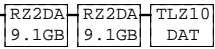
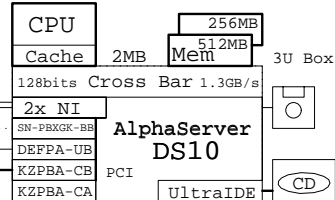
Tru64 UNIX
466MHz EV6



BN19C-2E
SN-LKQ47-AF
BN39C-02, Video

Monit
15"C

Tru64 UNIX
466MHz EV6

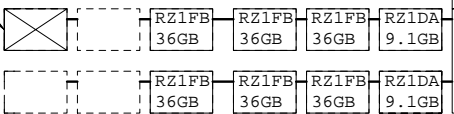


UltraSCSI

U Hub
3-por

Reserved
for Hub

RA3000 Rack Mount Controller Shelf



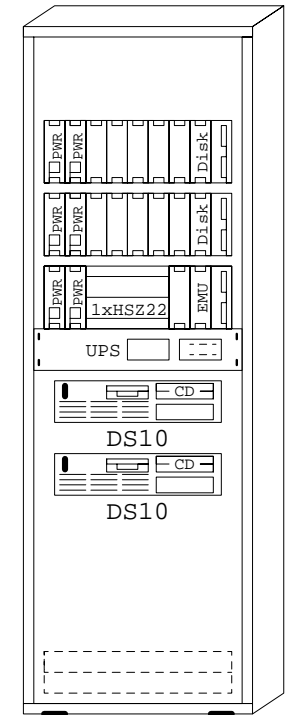
RAID

UPS, EMU

YS-ASCAA-AA M-CAB/SYS/STO Assemb

Bill of material for this cabinet system

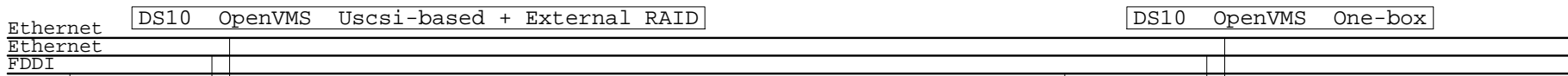
Part Number	Qty	Description
3X-MS310-CA	2	DS10 256MB DIMM MEM
BN19C-2E	2	PowerCable 240V, C-Europe
BN39C-02	2	1.8 Video Extension Cable ****
DA-AAHZA-HB	1	Cabinet Unix RTG DS10 RA3000 240V
DA-PB10A-AD	2	AS DS10 6/466 512MB UNIX
DEFPA-UB	2	PCI to FDDI SAS,TP-PMD
DS-HSZ22-AA	1	HSZ22 controller 16MB
DS-RZ1FB-VW	6	36GB 7200 UltraSCSI Disk
DS-RZ2DA-WA	4	9.1GB 7200RPM UltraSCSI Disk
SN-LKQ47-AF	2	102 KEY KYBD, NON-WIN, Finnish
SN-PBXGK-BB	2	Elsa Gloria Synergy 8M Video Graphics
SN-PBXKP-BA	2	WIDE TO NARROW SCSI ADAPTER
SN-VRQV5-24	2	COMPAQ V55 CLR MON, NH, TCO95
TLZ10-LB	2	12/24GB 4mm DAT 5.25" HH
YS-ASCAA-AA	1	M-CAB/SYS/STO Assembly



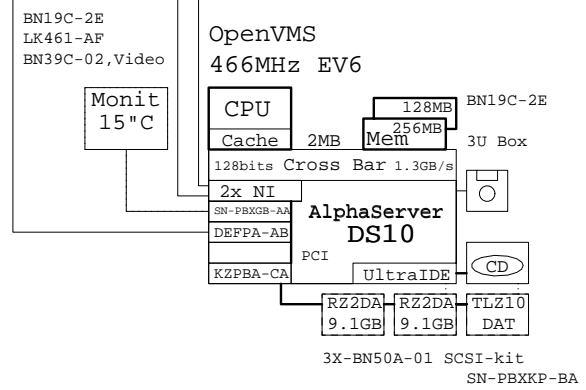
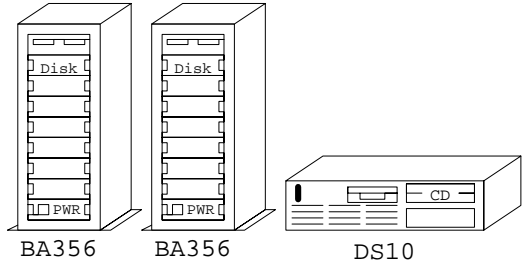
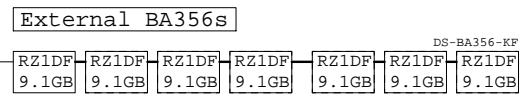
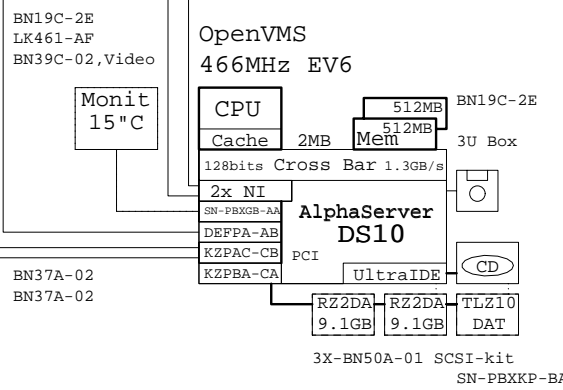
AlphaServer DS10
In H9A10-MD

COMPAQ 02-Jul-1999 GTAUDS102
www.digital.com/golden-eggs

AlphaServer DS10 Tru64 UNIX Cluster
GOLDEN EGGS Visual Configurations, Helsinki



QA-001AA-GZ OVMS Full Documentat
 QA-03XAA-H8 SW LP PKG V/A DOC CD
 QA-MT1AA-H8 OVMS Alpha Bin+Onlin



Bill of Material for Uscsi-system

Part Number	Qty	Description
3R-VRQV5-24	1	COMPAQ V55 CLR MON,NH,TC095
3X-BN50A-01	1	DS10/VS10 SCSI Cable Kit
3X-MS310-DA	1	DS10 512MB DIMM MEM
BN19C-2E	4	PowerCable 240V, C-Europe
BN37A-02	2	Ultra Cbl VHDCI - VHDCI
BN39C-02	1	1.8 Video Extension Cable ****
DEFFPA-AB	1	PCI to FDDI SAS
DS-BA356-KF	2	Pedestal Storage, UltraW, Single-Bus
DS-RZ1DF-VW	14	9.1GB 7200 UltraSCSI 16bit
DS-RZ2DA-WA	2	9.1GB 7200RPM UltraSCSI Disk
DY-PB10A-AD	1	AS DS10 6/466 512MB OVMS
KZPAC-CB	1	3 Chan. SCSI RAID 8MB UltraW
KZPBA-CA	1	PCI to UltraSCSI Adapter UWSE
LK461-AF	1	VMS STYLE KEYBOARD, Fin/Swed
QA-001AA-GZ	1	OVMS Full Documentation
QA-03XAA-H8	1	SW LP PKG V/A DOC CDROM
QA-MT1AA-H8	1	OVMS Alpha Bin+Onlin DOC CDROM
SN-PBXGB-AA	1	PowerStorm 3D3D graphics
SN-PBXKP-BA	1	WIDE TO NARROW SCSI ADAPTER
TLZ10-LB	1	12/24GB 4mm DAT 5.25" HH

Bill of Material for One-box system

Part Number	Qty	Description
3R-VRQV5-24	1	COMPAQ V55 CLR MON,NH,TC095
3X-BN50A-01	1	DS10/VS10 SCSI Cable Kit
3X-MS310-BA	1	DS10 128MB DIMM MEM
BN19C-2E	2	PowerCable 240V, C-Europe
BN39C-02	1	1.8 Video Extension Cable ****
DEFFPA-AB	1	PCI to FDDI SAS
DS-RZ2DA-WA	2	9.1GB 7200RPM UltraSCSI Disk
DY-PB10A-AC	1	AS DS10 6/466 256MB OVMS
KZPBA-CA	1	PCI to UltraSCSI Adapter UWSE
LK461-AF	1	VMS STYLE KEYBOARD, Fin/Swed
QA-001AA-GZ	1	OVMS Full Documentation
QA-03XAA-H8	1	SW LP PKG V/A DOC CDROM
QA-MT1AA-H8	1	OVMS Alpha Bin+Onlin DOC CDROM
SN-PBXGB-AA	1	PowerStorm 3D3D graphics
SN-PBXKP-BA	1	WIDE TO NARROW SCSI ADAPTER
TLZ10-LB	1	12/24GB 4mm DAT 5.25" HH

COMPAQ 05-Jul-1999 GTAVDS101
www.digital.com/golden-eggs

AlphaServer DS10 OpenVMS systems
 GOLDEN EGGS Visual Configurations, Helsinki

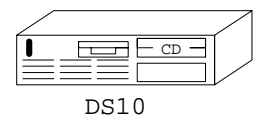
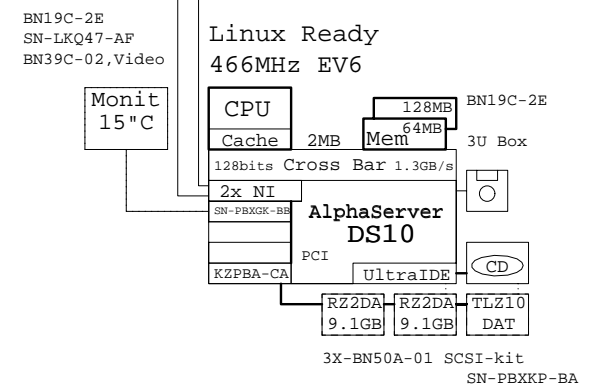
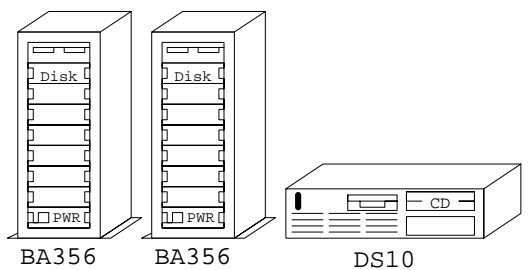
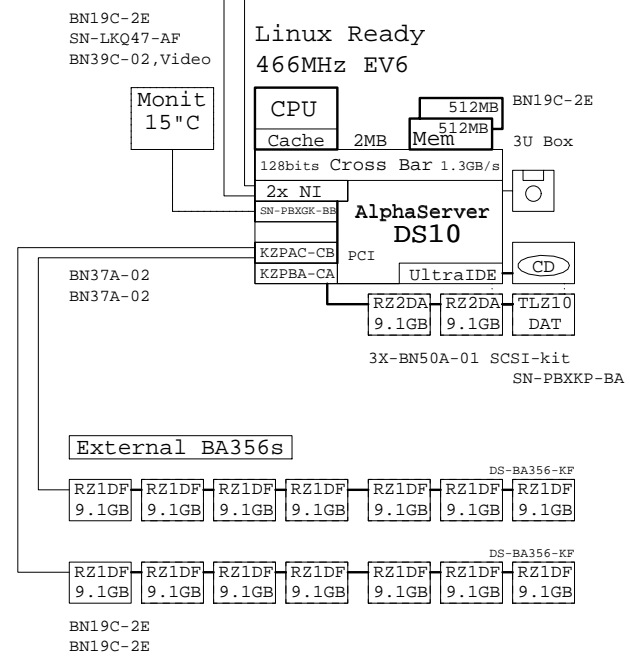
This template is included in the present GOLDEN EGGS Software kit.

DS10 OVMS

Ethernet
Ethernet

DS10 Linux Ready Uscsi-based + External RAID

DS10 Linux Ready One-box



Bill of Material for Uscsi-system

Part Number	Qty	Description
3R-VRQV5-24	1	COMPAQ V55 CLR MON,NH,TCO95
3X-BN50A-01	1	DS10/VS10 SCSI Cable Kit
3X-MS310-DA	1	DS10 512MB DIMM MEM
BN19C-2E	4	PowerCable 240V, C-Europe
BN37A-02	2	Ultra Cbl VHDCI - VHDCI
BN39C-02	1	1.8 Video Extension Cable ****
DJ-PB10A-BD	1	AS DS10 6/466 512MB Linux Ready
DS-BA356-KF	2	Pedestal Storage, UltraW, Single-Bus
DS-RZ1DF-VW	14	9.1GB 7200 UltraSCSI 16bit
DS-RZ2DA-WA	2	9.1GB 7200RPM UltraSCSI Disk
KZPAC-CB	1	3 Chan. SCSI RAID 8MB UltraW
KZPBA-CA	1	PCI to UltraSCSI Adapter UWSE
SN-LKQ47-AF	1	102 KEY KYBD, NON-WIN, Finnish
SN-PBXGK-BB	1	Elsa Gloria Synergy 8M Video Graphics
SN-PBXKP-BA	1	WIDE TO NARROW SCSI ADAPTER
TLZ10-LB	1	12/24GB 4mm DAT 5.25" HH

Bill of Material for one-box system

Part Number	Qty	Description
3R-VRQV5-24	1	COMPAQ V55 CLR MON,NH,TCO95
3X-BN50A-01	1	DS10/VS10 SCSI Cable Kit
3X-MS310-BA	1	DS10 128MB DIMM MEM
BN19C-2E	2	PowerCable 240V, C-Europe
BN39C-02	1	1.8 Video Extension Cable ****
DJ-PB10A-BA	1	AS DS10 6/466 64MB Linux Ready
DS-RZ2DA-WA	2	9.1GB 7200RPM UltraSCSI Disk
KZPBA-CA	1	PCI to UltraSCSI Adapter UWSE
SN-LKQ47-AF	1	102 KEY KYBD, NON-WIN, Finnish
SN-PBXGK-BB	1	Elsa Gloria Synergy 8M Video Graphics
SN-PBXKP-BA	1	WIDE TO NARROW SCSI ADAPTER
TLZ10-LB	1	12/24GB 4mm DAT 5.25" HH

COMPAQ 05-Jul-1999 GTALDS101
www.digital.com/golden-eggs

AlphaServer DS10 Linux systems
GOLDEN EGGS Visual Configurations, Helsinki

This template is included in the present GOLDEN EGGS Software kit.

DS10 Linux

AlphaServer DS20 6/500 Systems

Order number	Operating system	Server systems, 64bits 500MHZ
#1 DA-55NJA- -CA 128MB -DA 256MB -EA 512MB -FA 1GB	DIGITAL UNIX	(Disk) RX,CD (NI SVGA)
DY-55NJA-**	OpenVMS	(Disk) RX,CD (NI SVGA)
DN-55NJA-**	Windows NT	(Disk) RX,CD (NI SVGA)
DJ-55NJA-**	Linux Ready	(Disk) RX,CD (NI SVGA)

#2 Select disk controller, 2x SCSI with Ethernet

#3 Select system disk

#4 SVGA color monitor #5 For 240V, select 3x power cords and one keyboard.

15" 3R-VRQV5-24/11	SN-LKQ47 UNIX, Lin	-AE GB	-AG G	-AM S	BN19C-2E Europe
17" SN-VRQP7-24/23 North/South	SN-LKQ97 WNT	-AB B	-AH NL	-AN N	BN19A-2E GB
BN39C-02 2m ext.cable	LK461 OVMS	-AD DK	-AI I	-AP F	BN19E-2E CH
		-AF FI	-AK CH	-AS E	BN19K-2E DK
					BN19Z-2E I

15" 3R-VRQV5-24/11	SN-LKQ47 UNIX, Lin	-AE GB	-AG G	-AM S	BN19C-2E Europe
17" SN-VRQP7-24/23 North/South	SN-LKQ97 WNT	-AB B	-AH NL	-AN N	BN19A-2E GB
BN39C-02 2m ext.cable	LK461 OVMS	-AD DK	-AI I	-AP F	BN19E-2E CH
		-AF FI	-AK CH	-AS E	BN19K-2E DK
					BN19Z-2E I

Internal options

Additional CPUs

KN310-AB	UNIX	500MHZ
KN310-AC	OVMS	500MHZ
3X-KN310-AD	WNT, Lin	500MHZ

2nd Power

H7899-AA
For N+1

Controllers

SN-PBXGK-BB	ELSA Gloria Graph. 8MB
DE500-BA	Fast Ethernet 10/100
DE504-BA	Fast Ethernet, Quad
DEFPA-AB	FDDI adapter, SAS MMF
DEFPA-DB	FDDI adapter, DAS MMF
DEFPA-UB	FDDI adapter, SAS TP-PMD
PBXNP-AA	Token ring adapter
KFPSA-AA	DSSI controller
CIPCA-BA	CI controller
KZPBA-CB	UltraSCSI Diff, 68HD

Memory expansion

DIMM-kits	Max memory
MS340-BA 128MB	4x 1GB =4GB
MS340-CA 256MB	
MS340-DA 512MB	
MS340-EA 1GB	

Internal storage

Tape storage

TLZ10-LB 12/24GB DAT SCSI tape

Disk storage

DS-RZ1DD-VW 9.1GB UltraSCSI disk 10k
DS-RZ1ED-VW 18 GB UltraSCSI disk 10k
DS-RZ1FB-VW 36 GB UltraSCSI disk 7200

KZPCM-DA	Dual UltraSCSI +Ethernet
KZPBA-CA	UltraSCSI SE adapter
BN38C-02	2m SCSI cable, 68HD-VHDCI
KZPAC-CB	RAID 3-port, 8MB cache
KZPSC-UB	Cache battery
KZPAC-SB	Dual cable bulkhead
BN37A-02	2m SCSI cbl VHDCI-VHDCI
H8253-AA	SCSI bus splitter kit

External options

Tape storage

DS-TZ89N-TA 35/70GB DLT tape, TT
BN21K-02 SCSI cable, FWD
BN19C-2E Power cord, Europe
KZPBA-CA UltraSCSI SE adapter

Disk storage

DS-BA356-KF Pedestal, single bus
DS-BA356-KG Pedestal, split bus
BN37A-02 2m SCSI, VHDCI-VHDCI
BN19C-2E Power cord, Europe
KZPAC-AA RAID 1-port, 4MB cache
DS-RZ1CF-VW 4.3GB UltraSCSI disk
DS-RZ1DA-VW 9.1GB UltraSCSI disk

BN25G-07

Mandatory options

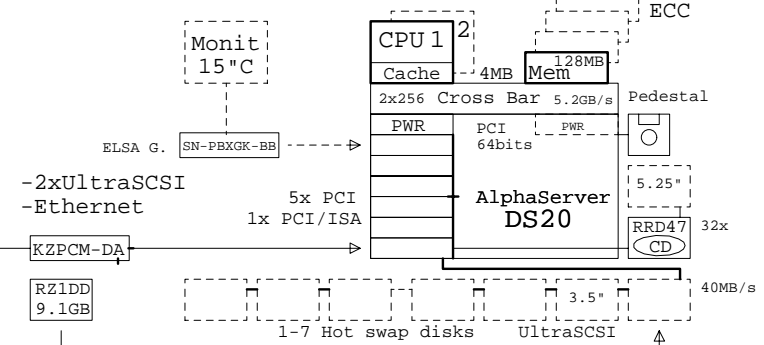
-2x UltraSCSI
-Ethernet

Recommended options

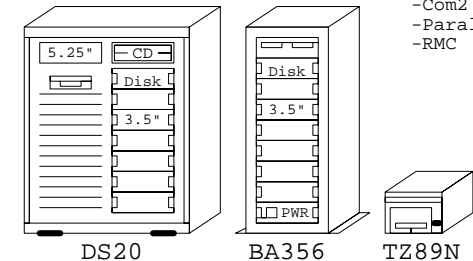
Monit 15" C
KZPCM-DA
RZ1DD 9.1GB
5x PCI
1x PCI/ISA

Tru64 UNIX, OpenVMS,
Windows NT or Linux

500MHZ EV6 128MB-4GB



-Mouse
-Kb
-Com1
-Com2
-Parallel
-RMC



Licenses included:

- DIGITAL UNIX V4.0E, Base license, Unlimited User license, Server Extension license, and Internet Access Software license and Netscape's Enterprise Server 3.0.
- OpenVMS V7.1-2, Base license and DIGITAL Enterprise Integration Package.

	@500MHZ
SPECint95	28
SPECfp95	58
SPECweb96	6065
TPC	11600

Software Processor Code: E

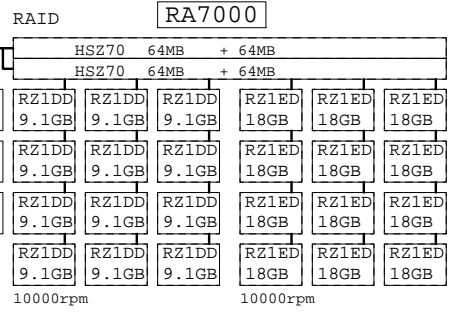
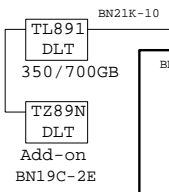
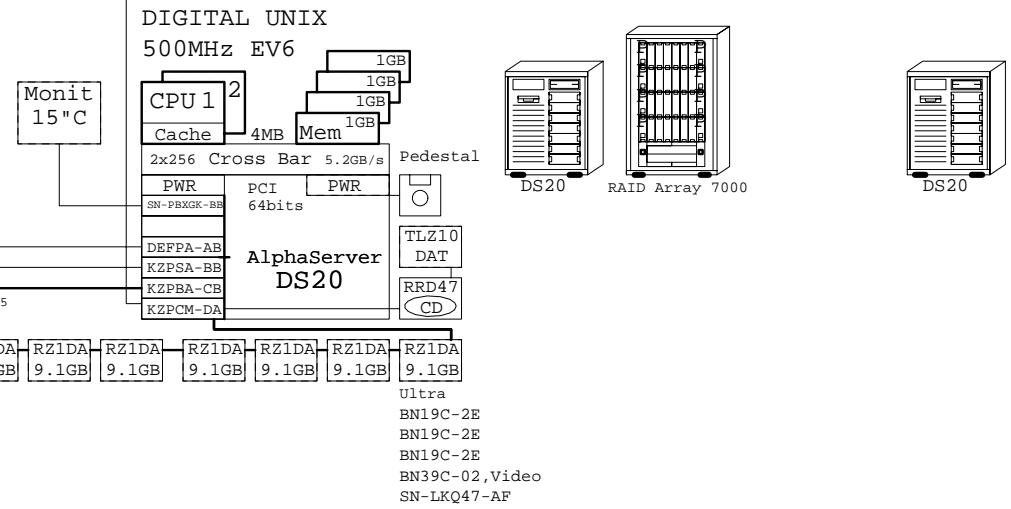
COMPAQ	17-Aug-1999	GEADS201
	www.digital.com/golden-eggs	

Compaq AlphaServer DS20 Systems
GOLDEN EGGS Visual Configurations, Helsinki

FDDI
Ethernet

DS20 expanded system

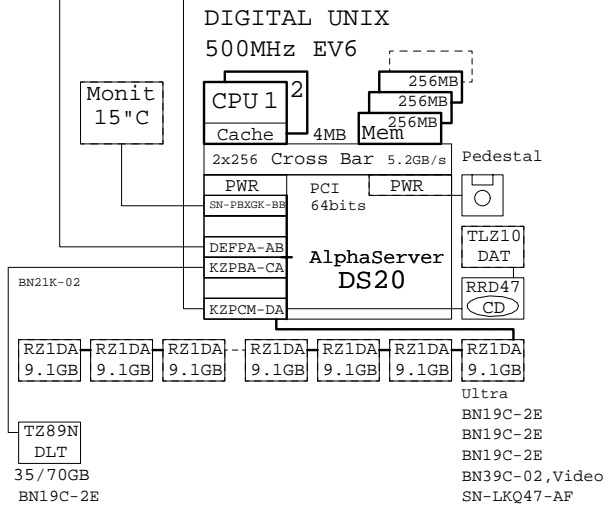
DS20 single system



BOM

Part Number	Qty	Description
BN19C-2E	4	PowerCable 240V, C-Europe
BN21K-10	1	68HD SCSI cable 10m
BN38C-05	1	Ultra Cbl VHDCI - 68HD
BN39C-02	1	1.8 Video Extension Cable ****
DA-55NJA-FA	1	AS DS20 6/500 1GB,PED,UNIX
DEFFA-AB	1	PCI to FDDI SAS
DS-BA35X-HE	1	AC INPUT BOX BA370
DS-BA35X-HH	3	180W power supply Blu SBB
DS-HSSIM-AB	2	64MB Cache Upg for HSZ70
DS-HSZ70-AH	1	ULTRA 70 SCSI CONTRL 64MB CACH
DS-RZ1DA-VW	7	9.1GB 7200r UltraSCSI disk
DS-RZ1DD-VW	12	9.1GB 10000r UltraSCSI disk
DS-RZ1ED-VW	12	18.2GB 10000r UltraSCSI disk
DS-SWXRA-HC	1	RA7000 24SBB Pedestal Subsys
DS-TL891-NT	1	10 slot 1 TZ89 Min Lib TT FWD
DS-TL892-UA	1	Add-on Dr for DS-TL891-xx
H7899-AA	1	As DS20 Power Supply
KN310-AB	1	AS DS20 6/500 SMP UPG UNIX
KZPBA-CB	1	PCI to UltraSCSI Adapter UWdif
KZPCM-DA	1	Dual Uscsi with FastEther PCI
KZPSA-BB	1	PCI-HOST FWD Bus Adapter
MS340-EA	3	DS20 1GB SDIMM MEM 4x256MB
QA-054AA-H8	1	SW LP PKG U/A CDRM/DOC
QA-MT4AA-GZ	1	Dig UNIX Alpha DOC Full
QA-MT4AA-H8	1	Dig UNIX Alpha CDRM
QB-5SBAB-SA	2	HSZ70 SW UNIX Alp LIC/MCD/DOC
QL-MTKAE-AA	1	Dn-Plus EF U/A TRAD LIC
SN-LKQ47-AF	1	102 KEY KYBD, NON-WIN, Finnish
SN-PBXGK-BB	1	Elsa Gloria Synergy 8M Video Graphics
SN-VRQV5-24	1	COMPAQ V55 CLR MON,NH,TC095
TLZ10-LK	1	TLZ10 for AServr 800/1200/4000

- QA-MT4AA-H8 Dig UNIX Alpha CDRM
- QA-MT4AA-GZ Dig UNIX Alpha DOC F
- QA-054AA-H8 SW LP PKG U/A CDRM/D
- QL-MTKAE-AA Dn-Plus EF U/A TRAD
- QB-5SBAB-SA SW U/A Lic/MCD/DOC
- QB-5SBAB-SA SW U/A Lic/MCD/DOC



- QA-MT4AA-H8 Dig UNIX Alpha CDRM
- QA-MT4AA-GZ Dig UNIX Alpha DOC F
- QA-054AA-H8 SW LP PKG U/A CDRM/D
- QL-MTKAE-AA Dn-Plus EF U/A TRAD

BOM

Part Number	Qty	Description
BN19C-2E	4	PowerCable 240V, C-Europe
BN21K-02	1	68HD SCSI cable 2m
BN39C-02	1	1.8 Video Extension Cable ****
DA-55NJA-DA	1	AS DS20 6/500 256MB,PED,UNIX
DEFFA-AB	1	PCI to FDDI SAS
DS-RZ1DA-VW	7	9.1GB 7200r UltraSCSI disk
DS-TZ89N-TA	1	35/70GB SE DLT-tape TT FWSE
H7899-AA	1	As DS20 Power Supply
KN310-AB	1	AS DS20 6/500 SMP UPG UNIX
KZPBA-CA	1	PCI to UltraSCSI Adapter UWSE
KZPCM-DA	1	Dual Uscsi with FastEther PCI
MS340-CA	2	DS20 256MB SDIMM MEM 4x64MB
QA-054AA-H8	1	SW LP PKG U/A CDRM/DOC
QA-MT4AA-GZ	1	Dig UNIX Alpha DOC Full
QA-MT4AA-H8	1	Dig UNIX Alpha CDRM
QL-MTKAE-AA	1	Dn-Plus EF U/A TRAD LIC
SN-LKQ47-AF	1	102 KEY KYBD, NON-WIN, Finnish
SN-PBXGK-BB	1	Elsa Gloria Synergy 8M Video Graphics
SN-VRQV5-24	1	COMPAQ V55 CLR MON,NH,TC095
TLZ10-LK	1	TLZ10 for AServr 800/1200/4000

COMPAQ 01-Jul-1999 GTAUDS201
www.digital.com/golden-eggs

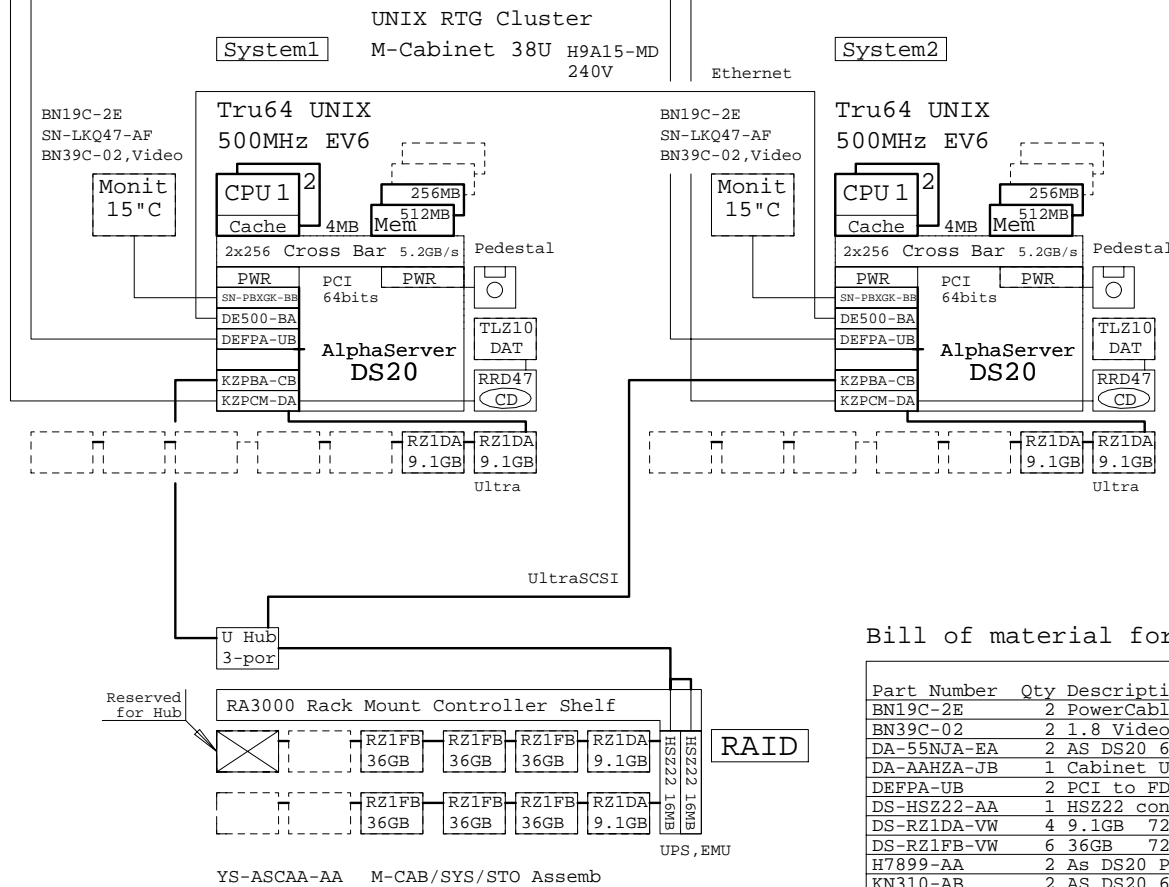
This template is included in the present GOLDEN EGGS Software kit.

DS20 UNIX GOLDEN EGGS Visual Configurations, Helsinki

DS20 One Cabinet Tru64 UNIX Cluster

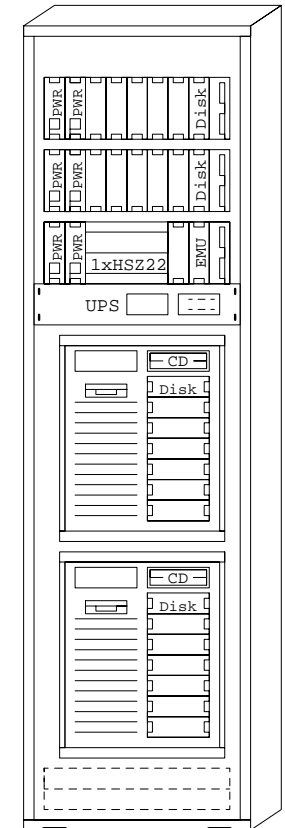
Ethernet

FDDI



Bill of material for this cabinet system

Part Number	Qty	Description
BN19C-2E	2	PowerCable 240V, C-Europe
BN39C-02	2	1.8 Video Extension Cable ****
DA-55NJA-EA	2	AS DS20 6/500 512MB,PED,UNIX
DA-AAHZA-JB	1	Cabinet Unix RTG DS20 RA3000 240V
DEFPA-UB	2	PCI to FDDI SAS,TP-PMD
DS-HSZ22-AA	1	HSZ22 controller 16MB
DS-RZ1DA-VW	4	9.1GB 7200r UltraSCSI disk
DS-RZ1FB-VW	6	36GB 7200 UltraSCSI Disk
H7899-AA	2	As DS20 Power Supply
KN310-AB	2	AS DS20 6/500 SMP UPG UNIX
MS340-CA	2	DS20 256MB SDIMM MEM 4x64MB
SN-LKQ47-AF	2	102 KEY KYBD, NON-WIN, Finnish
SN-PBXGK-BB	2	Elsa Gloria Synergy 8M Video Graphics
SN-VRQV5-24	2	COMPAQ V55 CLR MON,NH,TCO95
TLZ10-LK	2	TLZ10 for AServr 800/1200/4000
YS-ASCAA-AA	1	M-CAB/SYS/STO Assembly



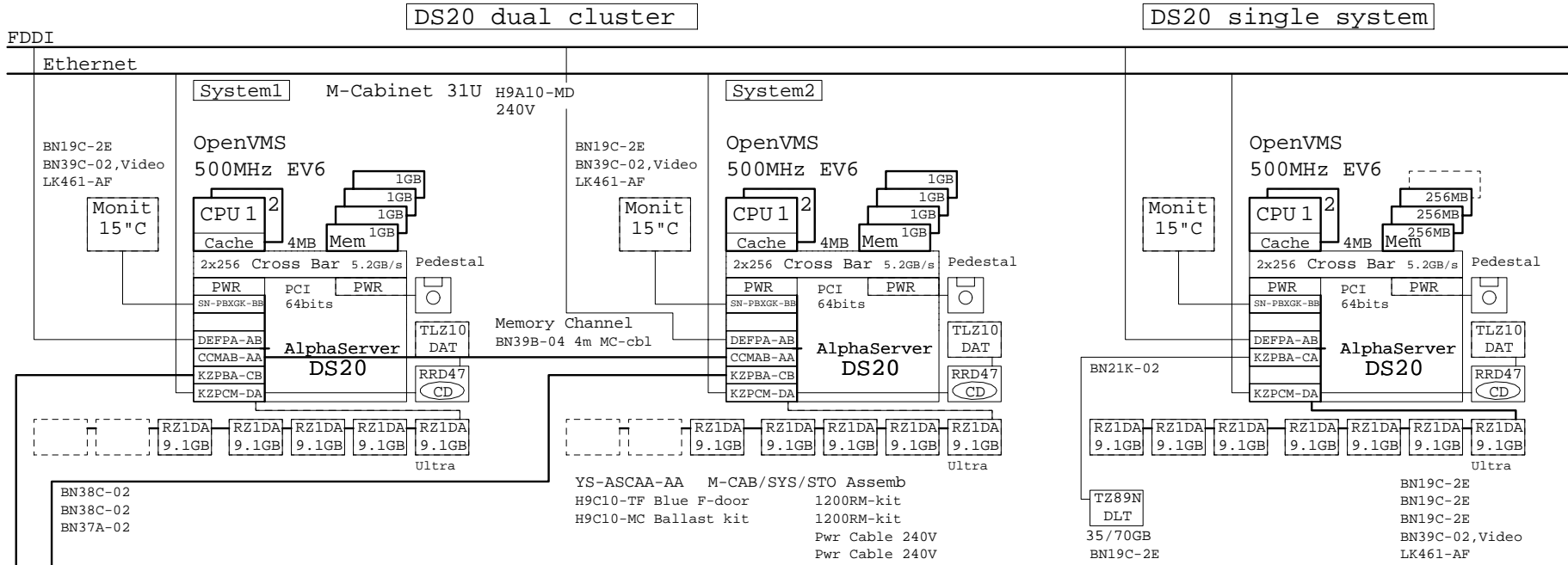
AlphaServer DS20
In H9A15-MD

COMPAQ 01-Jul-1999 GTAUDS203
www.digital.com/golden-eggs

AlphaServer DS20 Tru64 UNIX Cluster
GOLDEN EGGS Visual Configurations, Helsinki

This template is included in the present GOLDEN EGGS Software kit.

DS20 UNIX

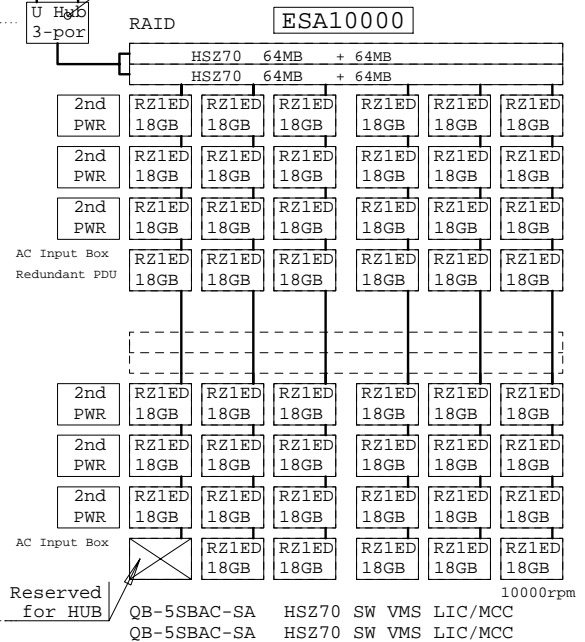


Bill of Material

Part Number	Qty	Description
2T-R1200-AB	2	AS1200 Ped Sys RM-kit, blue
BN19C-2E	2	PowerCable 240V, C-Europe
BN20Q-4E	2	PWRCORD, RM SYS->PDU, 240V, 15FT
BN37A-02	1	Ultra Cbl VHDCI - VHDCI
BN38C-02	2	Ultra Cbl VHDCI - 68HD
BN39B-04	1	04m copper cbl for CCMAB Mem.Chan
BN39C-02	2	1.8 Video Extension Cable ****
CCMAB-AA	2	PCI Mem. Channel-2 Cluster cntrl
DEFFPA-AB	2	PCI to FDDI SAS
DS-BA35X-HE	2	AC INPUT BOX BA370
DS-BA35X-HH	6	180W power supply Blu SBB
DS-DWZZH-03	1	Uscsi Act hub 0 SE:3/Dif 3.5" SBB
DS-HSSIM-AB	2	64MB Cache Upg for HSZ70
DS-RZ1DA-VW	10	9.1GB 7200r UltraSCSI disk
DS-RZ1ED-VW	47	18.2GB 10000r UltraSCSI disk
DS-SW6XP-AB	1	PDU REDUNDANT FOR SW600 50Hz
DS-SWXES-AB	1	ESA GEN BUS BUILDING BLK 50HZ
DY-55NJA-FA	2	AS DS20 6/500 1GB, PED, OVMS
H7899-AA	2	As DS20 Power Supply
H9A10-MD	1	M-Series Cab, H9A10, Blue, 240V 31U
H9C10-MC	1	Ballast Kit for cabinets
H9C10-TF	1	FrontDoorKit Blue for H9A10
KN310-AC	2	AS DS20 6/500 SMP UPG OpenVMS
KZPBA-CB	2	PCI to UltraSCSI Adapter UWdif
KZPCM-DA	2	Dual Uscsi with FastEther PCI
LK461-AF	2	VMS STYLE KEYBOARD, Fin/Swed
MS340-EA	6	DS20 1GB SDIMM MEM 4x256MB
QB-5SBAC-SA	2	HSZ70 SW VMS LIC/MCD/DOC
SN-PBXGK-BB	2	Elsa Gloria Synergy 8M Video Graphics
SN-VRQV5-24	2	COMPAQ V55 CLR MON, NH, TC095
TLZ10-LK	2	TLZ10 for AServr 800/1200/4000
YS-ASCAA-AA	1	M-CAB/SYS/STO Assembly

Bill of Material

Part Number	Qty	Description
BN19C-2E	4	PowerCable 240V, C-Europe
BN21K-02	1	68HD SCSI cable 2m
BN39C-02	1	1.8 Video Extension Cable ****
DEFFPA-AB	1	PCI to FDDI SAS
DS-RZ1DA-VW	7	9.1GB 7200r UltraSCSI disk
DS-TZ89N-TA	1	35/70GB SE DLT-tape TT FWSE
DY-55NJA-DA	1	AS DS20 6/500 256MB, PED, OVMS
H7899-AA	1	As DS20 Power Supply
KN310-AC	1	AS DS20 6/500 SMP UPG OpenVMS
KZPBA-CA	1	PCI to UltraSCSI Adapter UWSE
KZPCM-DA	1	Dual Uscsi with FastEther PCI
LK461-AF	1	VMS STYLE KEYBOARD, Fin/Swed
MS340-CA	2	DS20 256MB SDIMM MEM 4x64MB
SN-PBXGK-BB	1	Elsa Gloria Synergy 8M Video Graphics
SN-VRQV5-24	1	COMPAQ V55 CLR MON, NH, TC095
TLZ10-LK	1	TLZ10 for AServr 800/1200/4000



This template is included in the present GOLDEN EGGS Software kit.

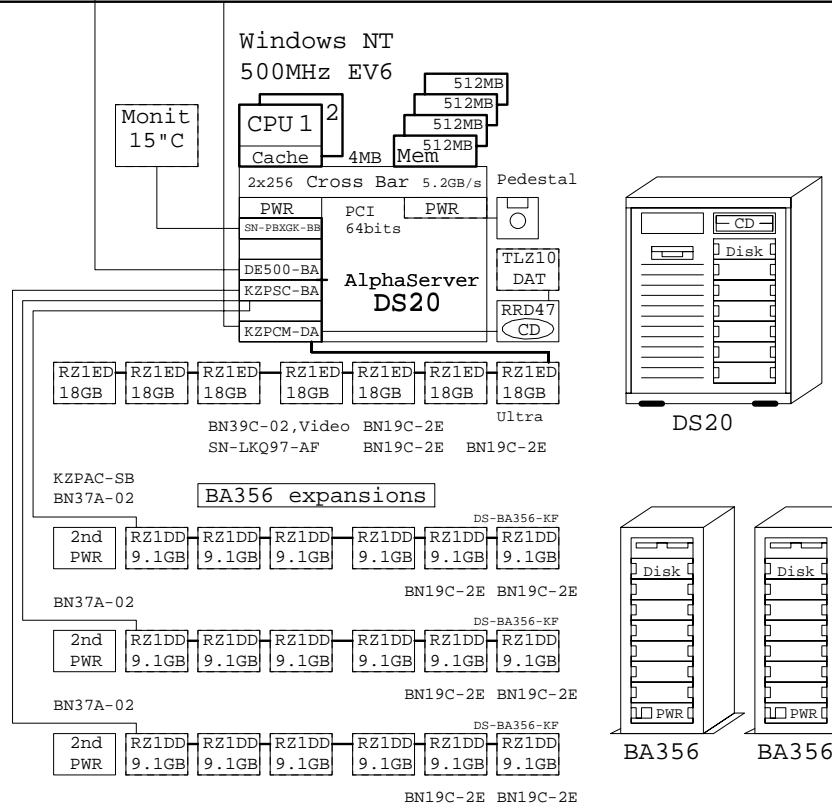
DS20 OVMS Golden Eggs Visual Configurations, Helsinki

COMPAQ	01-Jul-1999	GTAVDS201
www.digital.com/golden-eggs		

AlphaServer DS20 OpenVMS systems
GOLDEN EGGS Visual Configurations, Helsinki

Ethernet
Ethernet

DS20 expanded Windows NT system

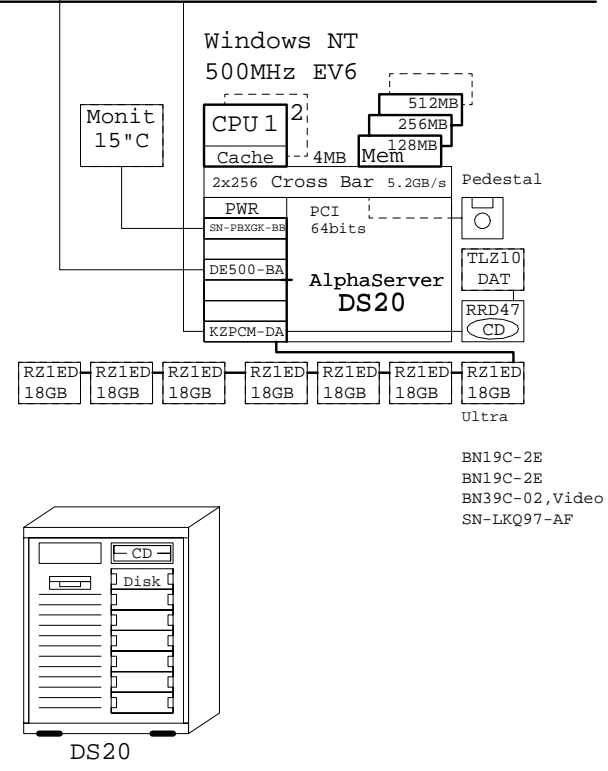


Bill of material for expanded system

Part Number	Qty	Description
3X-KN310-AD	1	AS DS20 6/500 SMP UPG WinNT
BN19C-2E	9	PowerCable 240V, C-Europe
BN37A-02	3	Ultra Chl VHDCI - VHDCI
BN39C-02	1	1.8 Video Extension Cable ****
CK-BA35X-HH	3	180W Stor.Shelf PWR for AS4x00
DE500-BA	1	PCI/FAST Ethernet, CAT 5 UTP
DN-55NJA-EA	1	AS DS20 6/500 512MB,PED, WNT
DS-BA356-KF	3	Pedestal Storage, UltraW, Single-Bus
DS-RZ1DD-VW	18	9.1GB 10000r UltraSCSI disk
DS-RZ1ED-VW	7	18.2GB 10000r UltraSCSI disk
H7899-AA	1	As DS20 Power Supply
KZPAC-SB	1	Dual bulk head
KZPCM-DA	1	Dual Uscsi with FastEther PCI
KZPSC-BA	1	PCI BACPLANE RAID 3 CHANNEL
MS340-DA	3	DS20 512MB SDIMM MEM 4x128MB
SN-LKQ97-AF	1	102 KEY KYBD, WIN, Finnish
SN-PBXGK-BB	1	Elsa Gloria Synergy 8M Video Graphics
SN-VRQV5-24	1	COMPAQ V55 CLR MON,NH,TCO95
TLZ10-LK	1	TLZ10 for AServr 800/1200/4000

This template is included in the present GOLDEN EGGS Software kit.

DS20 Windows NT system



Bill of material

Part Number	Qty	Description
BN19C-2E	2	PowerCable 240V, C-Europe
BN39C-02	1	1.8 Video Extension Cable ****
DE500-BA	1	PCI/FAST Ethernet, CAT 5 UTP
DN-55NJA-CA	1	AS DS20 6/500 128MB,PED, WNT
DS-RZ1ED-VW	7	18.2GB 10000r UltraSCSI disk
KZPCM-DA	1	Dual Uscsi with FastEther PCI
MS340-CA	1	DS20 256MB SDIMM MEM 4x64MB
MS340-DA	1	DS20 512MB SDIMM MEM 4x128MB
SN-LKQ97-AF	1	102 KEY KYBD, WIN, Finnish
SN-PBXGK-BB	1	Elsa Gloria Synergy 8M Video Graphics
SN-VRQV5-24	1	COMPAQ V55 CLR MON,NH,TCO95
TLZ10-LK	1	TLZ10 for AServr 800/1200/4000

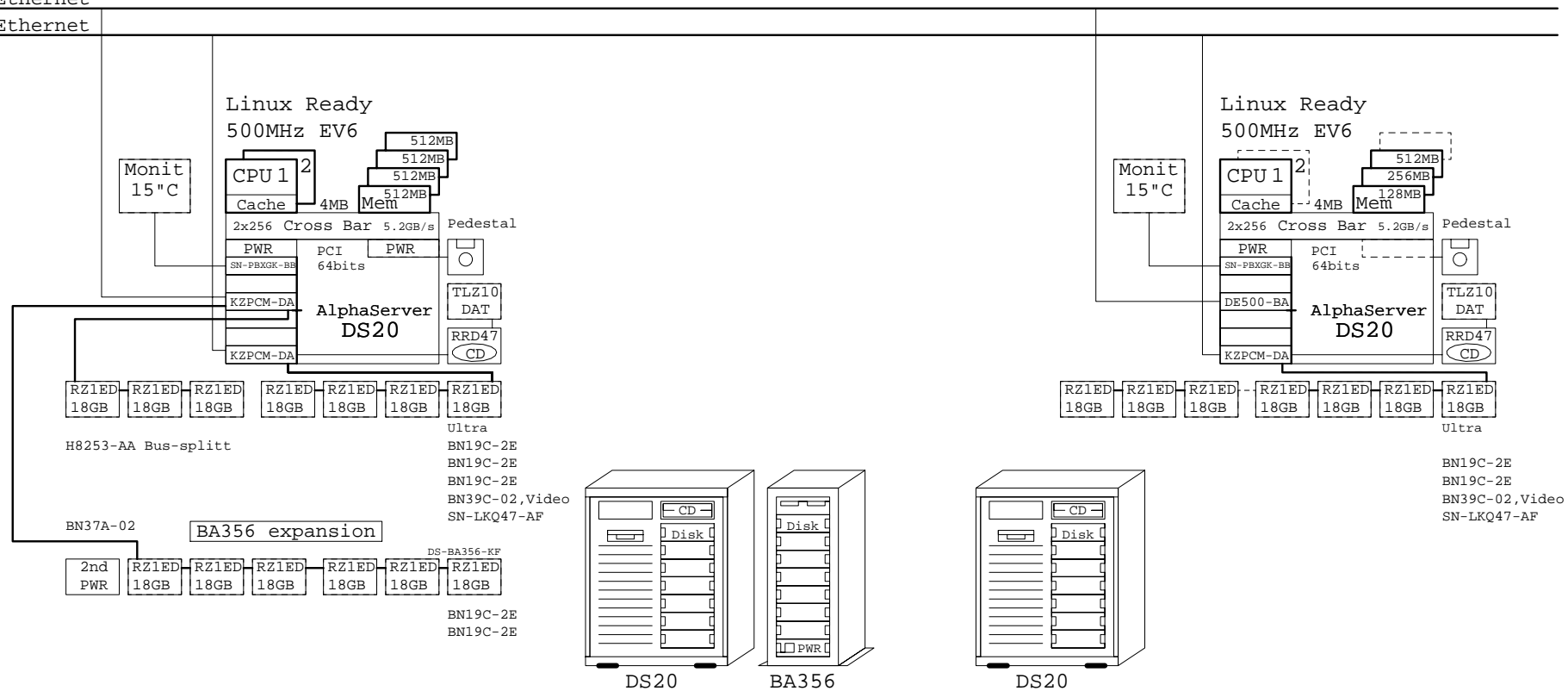
COMPAQ	01-Jul-1999	GTANDS201
	www.digital.com/golden-eggs	
AlphaServer DS20 Windows NT system		
GOLDEN EGGS Visual Configurations, Helsinki		

DS20 WNT

Ethernet
Ethernet

DS20 expanded Linux Ready system

DS20 Linux Ready system



Bill of material for expanded system

Part Number	Qty	Description
3X-KN310-AD	1	AS DS20 6/500 SMP UPG WinNT
BN19C-2E	5	PowerCable 240V, C-Europe
BN37A-02	1	Ultra Cbl VHDCI - VHDCI
BN39C-02	1	1.8 Video Extension Cable ****
CK-BA35X-HH	1	180W Stor.Shelf PWR for AS4x00
DJ-55NJA-EA	1	AS DS20 6/500 512MB,PED,O/SLESS
DS-BA356-KF	1	Pedestal Storage, UltraW, Single-Bus
DS-RZ1ED-VW	13	18.2GB 10000r UltraSCSI disk
H7899-AA	1	As DS20 Power Supply
H8253-AA	1	UltraSCSI bus-splitter kit DS20
KZPCM-DA	2	Dual Uscsi with FastEther PCI
MS340-DA	3	DS20 512MB SDIMM MEM 4x128MB
SN-LKQ47-AF	1	102 KEY KYBD,NON-WIN, Finnish
SN-PBXGK-BB	1	Elsa Gloria Synergy 8M Video Graphics
SN-VRQV5-24	1	COMPAQ V55 CLR MON,NH,TC095
TLZ10-LK	1	TLZ10 for AServr 800/1200/4000

Bill of material

Part Number	Qty	Description
BN19C-2E	2	PowerCable 240V, C-Europe
BN39C-02	1	1.8 Video Extension Cable ****
DE500-BA	1	PCI/FAST Ethernet, CAT 5 UTP
DJ-55NJA-CA	1	AS DS20 6/500 128MB,PED,O/SLESS
DS-RZ1ED-VW	7	18.2GB 10000r UltraSCSI disk
KZPCM-DA	1	Dual Uscsi with FastEther PCI
MS340-CA	1	DS20 256MB SDIMM MEM 4x64MB
MS340-DA	1	DS20 512MB SDIMM MEM 4x128MB
SN-LKQ47-AF	1	102 KEY KYBD,NON-WIN, Finnish
SN-PBXGK-BB	1	Elsa Gloria Synergy 8M Video Graphics
SN-VRQV5-24	1	COMPAQ V55 CLR MON,NH,TC095
TLZ10-LK	1	TLZ10 for AServr 800/1200/4000

COMPAQ 01-Jul-1999 GTALDS201
www.digital.com/golden-eggs

AlphaServer DS20 Linux systems
GOLDEN EGGS Visual Configurations, Helsinki

This template is included in the present GOLDEN EGGS Software kit.

DS20 Linux

AlphaServer ES40 6/500 Systems, 64bits 500MHz

Model	Tru64 UNIX	OpenVMS	Windows NT	Linux Ready
#1 M1	6xPCI DA-62AAA -CA 512MB -DA 1GB	6xPCI DA-62AAA -CA 512MB -DA 1GB	6xPCI DA-62AAA -CA 512MB -DA 1GB	DJ-62AAA-CA 512MB
M2	10xPCI DA-64AAA -EA 2GB	10xPCI DA-64AAA -EA 2GB	10xPCI DA-64AAA -EA 2GB	

#2 Select Enclosure, Disk Cage, Disk Drive, USCSI Controller, Ethernet and Graphics.

Mini-Tower	Pedestal	Cabinet
BA61M-MT Mini-Tower	BA61P-PA/PB Pedestal 120/240V	H9A15-MC/MD Cabinet 120V/240V, 38U
BA610-4D Disk Drive Cage	KZPCM-DA 2xUSCSI+ Ethernet	H9C15-TE Cabinet rear extender
DS-RZ2DD-16 Disk 9.1GB 10k	BN37A-02 SCSI cable, 2m	H9C15-TF Cabinet front door
DS-RZ2ED-16 Disk 18.2GB 10k	BA36R-RC Single-buss shelf	H9C10-MC Ballast kit, 40lbs
DE500-BA Ethernet 10/100	BA36R-RD Split-buss shelf	BA61R-RM Rack mount kit
BN25G-10 Cable, twisted	DS-RZ1DD-VW Disk 9.1GB 10k	YS-ASCAA-AA Factory integration
SN-PBXGK-BB ElsaGloria 8MB	DS-RZ1ED-VW Disk 18.2GB 10k	KZPCM-DA 2xUSCSI+ Ethernet
	BN25G-10 Cable, twisted	BN37A-02 SCSI cable, 2m
	SN-PBXGK-BB ElsaGloria 8MB	BA36R-RC Single-bus shelf
		BA36R-RD Split-buss shelf
		DS-RZ1DD-VW Disk 9.1GB 10k
		DS-RZ1ED-VW Disk 18.2GB 10k
		SN-PBXGK-BB ElsaGloria 8MB

#3 SVGA color monitor #4 For 240V use, select keyboard and power cord

15" 3R-VRQV5-24/11	SN-LKQ47 UNIX, Lin	-AE GB	-AG G	-AM S	BN19C-2E Europe
17" SN-VRQP7-24/23	SN-LKQ97 WNT	-AB B	-AH NL	-AN N	BN19A-2E GB
		-AD DK	-AI I	-AP F	BN19E-2E CH
BN39C-02 2m ext. cable	LK461 OVMS	-AF FI	-AK CH	-AS E	BN19K-2E DK
					BN19Z-2E I

Internal options

Memory expansion

MS610-BA	256MB
MS610-CA	512MB
MS610-DA	1GB
MS610-EA	2GB

Additional CPUs, Max 4

UNIX	KN610-AB	500MHz
OVMS	KN610-AC	500MHz
WNT	KN610-??	500MHz
Linux	KN610-AA	500MHz

Power supplies, CPU Max 3

H7906-A9	CPU power
DS-BA35X-HH	2nd disk pwr

Internal storage

Tape storage

TLZ10-LB	12/24GB DAT Tape drive
BN46L-01	Multi head SCSI cable

Disk storage

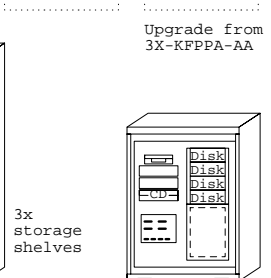
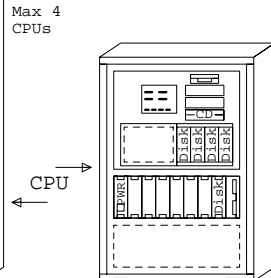
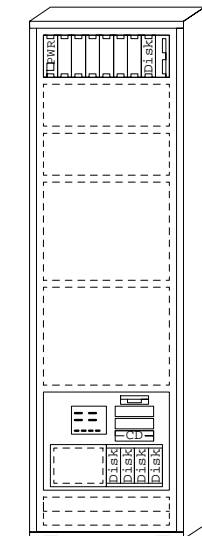
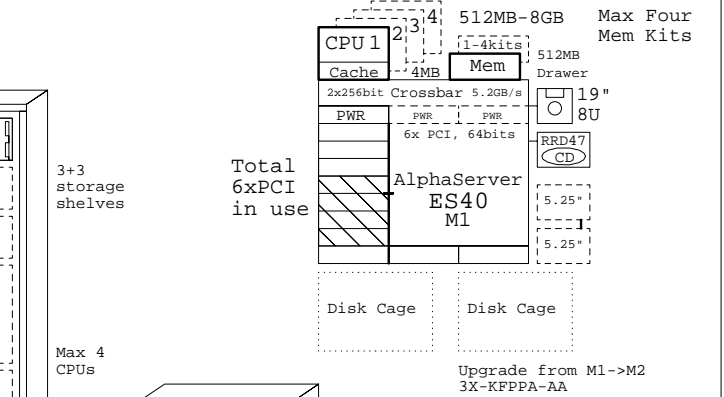
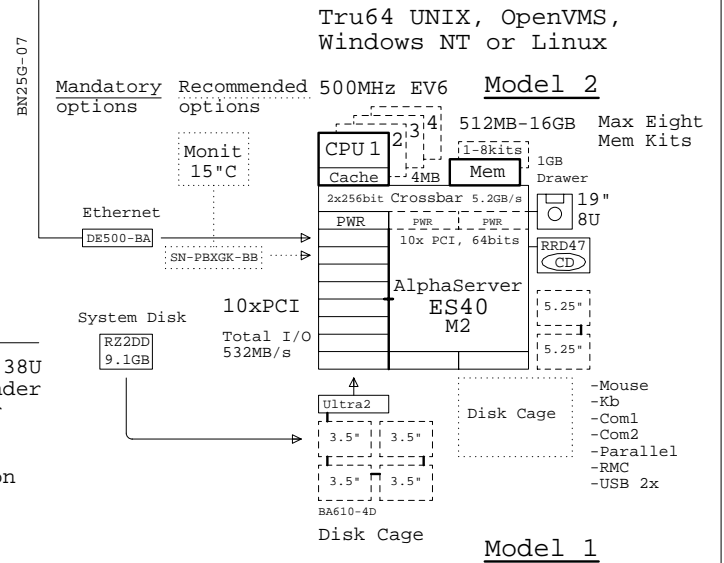
DS-RZ2DD-VW	9.1GB UltraSCSI disk
DS-RZ2ED-VW	18GB UltraSCSI disk
KZPBA-CA	UltraSCSI SE adapter
BN38C-02	2m SCSI cable, 68HD-VHDCI
KZPCM-DA	Dual UltraSCSI+ Ethernet
BN37A-02	2m SCSI cable, VHDC-VHDC
KZPAC-CB	RAID 3-port, 8MB cache
KZPSC-UB	Cache battery
KZPAC-SB	Dual cable bulkhead
BN37A-02	2m SCSI cable VHDCI-VHDCI

Controllers

DE504-BA	Fast Ethernet, Quad
DEGPA-SA	Gigabit Ethernet
DEFFA-AB	FDDI adapter, SAS MMF
PBXNP-AA	Token ring adapter
KFPASA-AA	DSSI controller
CIPCA-BA	CI controller
KZPBA-CB	UltraSCSI Diff. adapt.

External options

DS-TL891-NT	10 cartridge DLT Lib
BN21K-05	5m SCSI cable, FWD
BN19C-2E	Power cord, Europe
KZPSA-BB	SCSI controller, FWD



Software Processor Code: E

SPECint95	@500MHz	27.7
SPECfp95		58.7

COMPAQ	02-Jul-1999	GEAES401
	www.digital.com/golden-eggs	

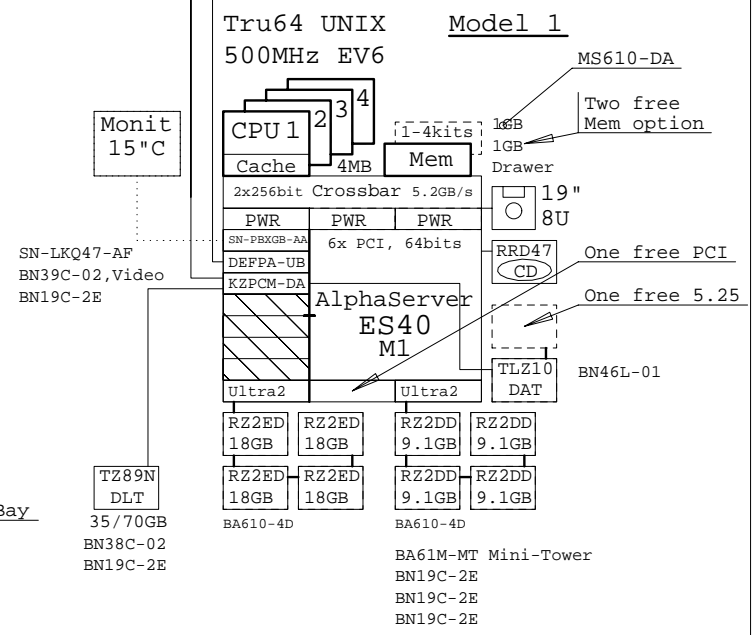
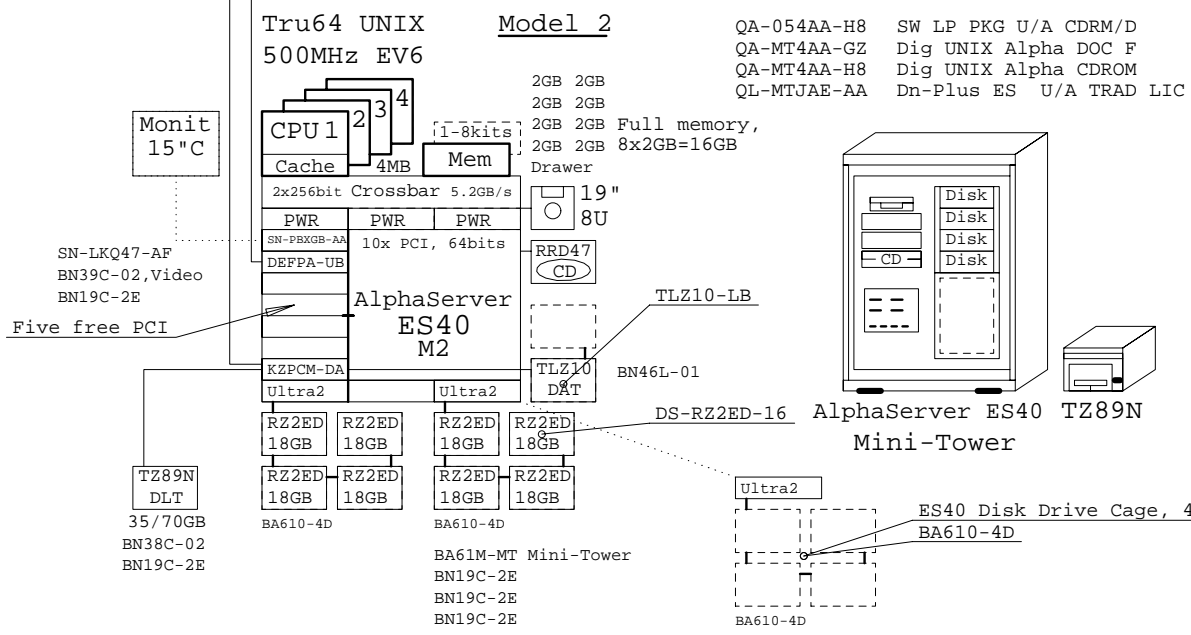
ES40

AlphaServer ES40 6/500 Systems
GOLDEN EGGS Visual Configurations, Helsinki

This configuration is generated with fresh GOLDEN EGGS Software

Ethernet FDDI **ES40 Model 2 Tower System**

ES40 Model 1 Tower System



Bill of Material, Model 2

Part Number	Qty	Description
BA610-4D	2	ES40 Disk Drive Cage, 4Bay
BA61M-MT	1	ES40 Mini-Tower Enclosure
BN19C-2E	5	PowerCable 240V, C-Europe
BN38C-02	1	Ultra Cbl VHDCI - 68HD
BN39C-02	1	1.8 Video Extension Cable ****
BN46L-01	1	Multi head SCSI cable,ES40
DA-64AAA-EA	1	ES40 6/500 Model 2 2GB UNIX 10PCI DWR
DEFFPA-UB	1	PCI to FDDI SAS,TP-PMD
DS-RZ2ED-16	8	ES40 Disk 18GB 10k Ultra2 SCSI
DS-TZ89N-TA	1	35/70GB SE DLT-tape TT FWSE
H7906-A9	2	ES40 Power Syply, 2nd or 3rd
KN610-AB	3	ES40 6/500MHz UNIX SMP
KZPCM-DA	1	Dual Uscsi with FastEther PCI
MS610-EA	7	ES40 2GB Memory Option
QA-054AA-H8	1	SW LP PKG U/A CDRM/DOC
QA-MT4AA-GZ	1	Dig UNIX Alpha DOC Full
QA-MT4AA-H8	1	Dig UNIX Alpha CDROM
QA-MT4AA-H8	1	Dig UNIX Alpha CDROM
QL-MTJAE-AA	1	Dn-Plus ES U/A TRAD LIC
SN-LKQ47-AF	1	102 KEY KYBD,NON-WIN, Finnish
SN-PBXGB-AA	1	PowerStorm 3D3D graphics
SN-VRQV5-24	1	COMPAQ V55 CLR MON,NH,TCO95
TLZ10-LB	1	12/24GB 4mm DAT 5.25" HH

Bill of Material, Model 1

Part Number	Qty	Description
BA610-4D	2	ES40 Disk Drive Cage, 4Bay
BA61M-MT	1	ES40 Mini-Tower Enclosure
BN19C-2E	5	PowerCable 240V, C-Europe
BN38C-02	1	Ultra Cbl VHDCI - 68HD
BN39C-02	1	1.8 Video Extension Cable ****
BN46L-01	1	Multi head SCSI cable,ES40
DA-62AAA-DA	1	ES40 6/500 Model 1 1GB UNIX 6PCI DWR
DEFFPA-UB	1	PCI to FDDI SAS,TP-PMD
DS-RZ2DD-16	4	ES40 Disk 9.1GB 10k Ultra2 SCSI
DS-RZ2ED-16	4	ES40 Disk 18GB 10k Ultra2 SCSI
DS-TZ89N-TA	1	35/70GB SE DLT-tape TT FWSE
H7906-A9	2	ES40 Power Syply, 2nd or 3rd
KN610-AB	3	ES40 6/500MHz UNIX SMP
KZPCM-DA	1	Dual Uscsi with FastEther PCI
MS610-DA	1	ES40 1GB Memory Option
QA-054AA-H8	1	SW LP PKG U/A CDRM/DOC
QA-MT4AA-GZ	1	Dig UNIX Alpha DOC Full
QA-MT4AA-H8	1	Dig UNIX Alpha CDROM
QA-MT4AA-H8	1	Dig UNIX Alpha CDROM
QL-MTJAE-AA	1	Dn-Plus ES U/A TRAD LIC
SN-LKQ47-AF	1	102 KEY KYBD,NON-WIN, Finnish
SN-PBXGB-AA	1	PowerStorm 3D3D graphics
SN-VRQV5-24	1	COMPAQ V55 CLR MON,NH,TCO95
TLZ10-LB	1	12/24GB 4mm DAT 5.25" HH

COMPAQ 07-Apr-1999 GTAUES401
www.digital.com/golden-eggs

AlphaServer ES40 UNIX systems
GOLDEN EGGS Visual Configurations, Helsinki

This template is included in the present GOLDEN EGGS Software kit.

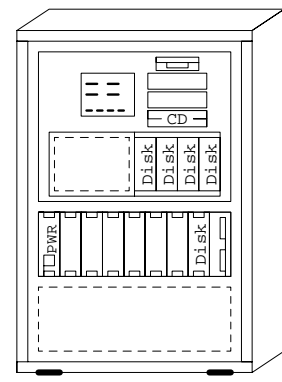
ES40 UNIX

Tru64 UNIX Model 2
500MHz EV6

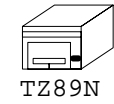
- QA-054AA-H8 SW LP PKG U/A CDRM/D
- QA-MT4AA-GZ Dig UNIX Alpha DOC F
- QA-MT4AA-H8 Dig UNIX Alpha CDRM
- QL-MTJAE-AA Dn-Plus ES U/A TRAD LIC

Bill of material for the base Pedestal

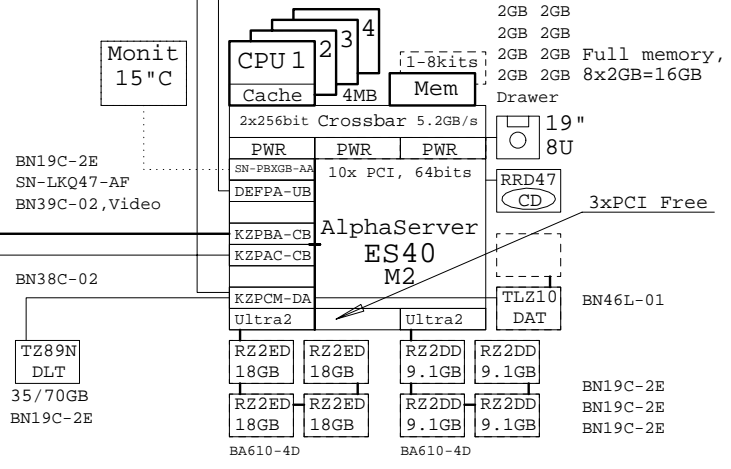
Part Number	Qty	Description
BA610-4D	2	ES40 Disk Drive Cage, 4Bay
BA61P-PB	1	ES40 Pedestal Enclosure 240V Europe
BN19C-2E	5	PowerCable 240V, C-Europe
BN38C-02	1	Ultra Cbl VHDCI - 68HD
BN39C-02	1	1.8 Video Extension Cable ****
BN46L-01	1	Multi head SCSI cable,ES40
DA-64AAA-EA	1	ES40 6/500 Model 2 2GB UNIX 10PCI DWR
DEFPA-UB	1	PCI to FDDI SAS,TP-PMD
DS-RZ2DD-16	4	ES40 Disk 9.1GB 10k Ultra2 SCSI
DS-RZ2ED-16	4	ES40 Disk 18GB 10k Ultra2 SCSI
DS-TZ89N-TA	1	35/70GB SE DLT-tape TT FWSE
H7906-A9	2	ES40 Power SyPLY, 2nd or 3rd
KN610-AB	3	ES40 6/500MHz UNIX SMP
KZPCM-DA	1	Dual Uscsi with FastEther PCI
MS610-EA	7	ES40 2GB Memory Option
SN-LKQ47-AF	1	102 KEY KYBD, NON-WIN, Finnish
SN-PBXGB-AA	1	PowerStorm 3D3D graphics
SN-VRQV5-24	1	COMPAQ V55 CLR MON,NH,TC095
TLZ10-LB	1	12/24GB 4mm DAT 5.25" HH



AlphaServer ES40



TZ89N

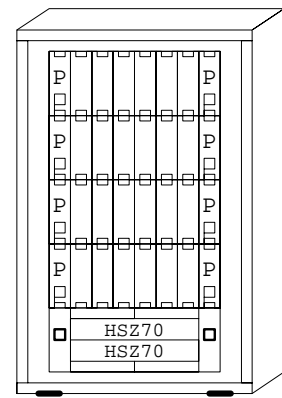


BOM for the RAID disks in pedestal

Part Number	Qty	Description
BA36R-SD	3	RH ULTRASCSI SHELF PED SINGLE
BN37A-02	3	Ultra Cbl VHDCI - VHDCI
CK-BA35X-HH	3	180W Stor.Shelf PWR for AS4x00
DS-RZ1DF-VW	18	9.1GB 7200 UltraSCSI 16bit
KZPAC-CB	1	3 Chan. SCSI RAID 8MB UltraW
KZPAC-SB	1	Dual bulk head

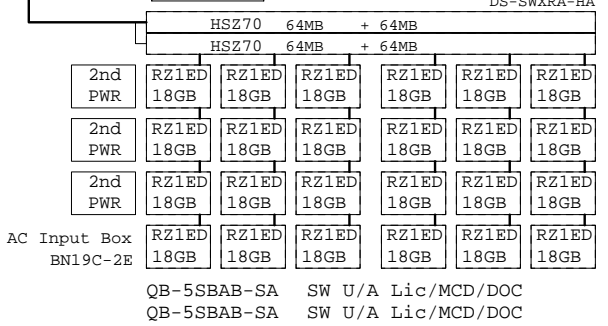
BOM for the external RA7000 RAID

Part Number	Qty	Description
BN19C-2E	1	PowerCable 240V, C-Europe
DS-BA35X-HE	1	AC INPUT BOX BA370
DS-BA35X-HH	3	180W power supply Blu SBB
DS-HSSIM-AB	2	64MB Cache Upg for HSZ70
DS-RZ1ED-VW	24	18.2GB 10000r UltraSCSI disk
DS-SWXRA-HA	1	RA7000 Dual 24SBB Pedestal
KZPBA-CB	1	PCI to UltraSCSI Adapter Uwdif
QB-5SBAB-SA	2	HSZ70 SW UNIX Alp LIC/MCD/DOC



RAID Array 7000

RA7000



QB-5SBAB-SA SW U/A Lic/MCD/DOC
QB-5SBAB-SA SW U/A Lic/MCD/DOC

Ethernet
FDDI

ES40 Model 2 Dual Cabinet Systems

System1 M-Cabinet H9A15-MD Blue front door
 240V H9C15-TE CabExt Blue
 38U YS-ASCAA-AA M-CAB/SYS/STO Assemb

Tru64 UNIX
 500MHz EV6

QA-054AA-H8 SW LP PKG U/A CDRM/D
 QA-MT4AA-GZ Dig UNIX Alpha DOC F
 QA-MT4AA-H8 Dig UNIX Alpha CDROM
 QL-MTJAE-AA Dn-Plus ES U/A TRAD LIC

Bill of material for the base Cabinet

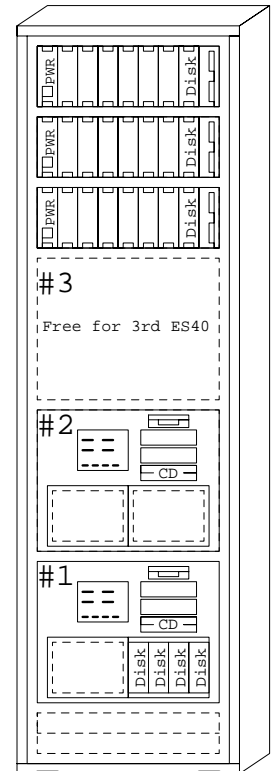
Part Number	Qty	Description
BA610-4D	2	ES40 Disk Drive Cage, 4Bay
BA61R-RM	1	ES40 Rackmount Kit
BN19C-2E	1	PowerCable 240V, C-Europe
BN21K-10	1	68HD SCSI cable 10m
BN39C-02	1	1.8 Video Extension Cable ****
BN46L-01	1	Multi head SCSI cable,ES40
DA-64AAA-EA	1	ES40 6/500 Model 2 2GB UNIX 10PCI DWR
DEFFPA-UB	1	PCI to FDDI SAS,TP-PMD
DS-RZ2DD-16	4	ES40 Disk 9.1GB 10k Ultra2 SCSI
DS-RZ2ED-16	4	ES40 Disk 18GB 10k Ultra2 SCSI
DS-TL891-NT	1	10 slot 1 TZ89 Min Lib TT FWD
H7906-A9	2	ES40 Power Syply, 2nd or 3rd
H9A15-MD	1	M-Series Cab,H9A15,Blue,240V 38U
H9C15-TE	1	Rear Cab extender for H9A15 Blue
H9C15-TF	1	FrontDoorKit Blue for H9A15
KN610-AB	3	ES40 6/500MHz UNIX SMP
KZPBA-CB	1	PCI to UltraSCSI Adapter Uwdif
KZPCM-DA	1	Dual Uscsi with FastEther PCI
MS610-EA	7	ES40 2GB Memory Option
QA-054AA-H8	1	SW LP PKG U/A CDRM/DOC
QA-MT4AA-GZ	1	Dig UNIX Alpha DOC Full
QA-MT4AA-H8	1	Dig UNIX Alpha CDROM
QL-MTJAE-AA	1	Dn-Plus ES U/A TRAD LIC
SN-LKQ47-AF	1	102 KEY KYBD,NON-WIN, Finnish
SN-PBXGB-AA	1	PowerStorm 3D3D graphics
SN-VRQV5-24	1	COMPAQ V55 CLR MON,NH,TCO95
TLZ10-LB	1	12/24GB 4mm DAT 5.25" HH
YS-ASCAA-AA	1	M-CAB/SYS/STO Assembly

BOM for the first RAID disks in cabinet

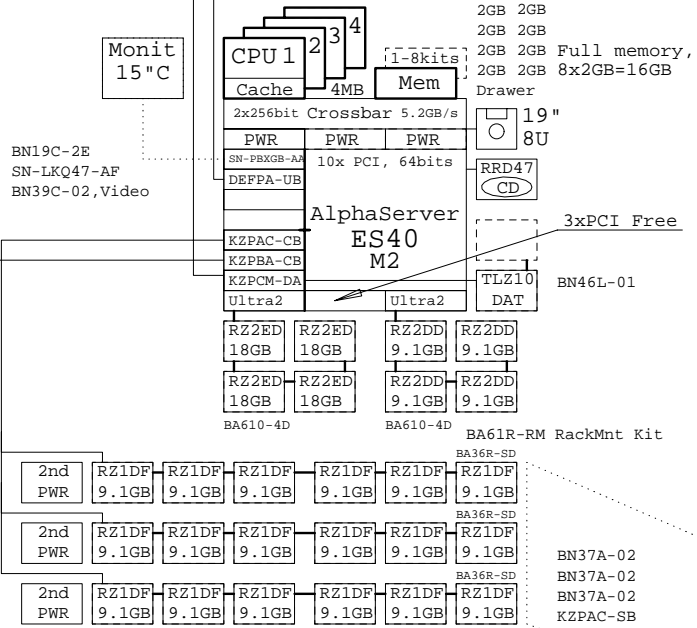
Part Number	Qty	Description
BA36R-SD	3	RH ULTRASCSCI SHELF PED SINGLE
BN37A-02	3	Ultra Cbl VHDCI - VHDCI
CK-BA35X-HH	3	180W Stor.Shelf PWR for AS4x00
DS-RZ1DF-VW	18	9.1GB 7200 UltraSCSI 16bit
KZPAC-CB	1	3 Chan. SCSI RAID 8MB UltraW
KZPAC-SB	1	Dual bulk head

BOM for the second ES40 + RAID disks

Part Number	Qty	Description
BA36R-SD	3	RH ULTRASCSCI SHELF PED SINGLE
BA61R-RM	1	ES40 Rackmount Kit
BN19C-2E	1	PowerCable 240V, C-Europe
BN37A-02	3	Ultra Cbl VHDCI - VHDCI
BN39C-02	1	1.8 Video Extension Cable ****
BN46L-01	1	Multi head SCSI cable,ES40
CK-BA35X-HH	3	180W Stor.Shelf PWR for AS4x00
DA-64AAA-EA	1	ES40 6/500 Model 2 2GB UNIX 10PCI DWR
DEFFPA-UB	1	PCI to FDDI SAS,TP-PMD
DS-RZ1DF-VW	18	9.1GB 7200 UltraSCSI 16bit
H7906-A9	2	ES40 Power Syply, 2nd or 3rd
KN610-AB	3	ES40 6/500MHz UNIX SMP
KZPAC-CB	2	3 Chan. SCSI RAID 8MB UltraW
KZPAC-SB	1	Dual bulk head
KZPCM-DA	1	Dual Uscsi with FastEther PCI
MS610-EA	7	ES40 2GB Memory Option
SN-LKQ47-AF	1	102 KEY KYBD,NON-WIN, Finnish
SN-PBXGB-AA	1	PowerStorm 3D3D graphics
SN-VRQV5-24	1	COMPAQ V55 CLR MON,NH,TCO95
TLZ10-LB	1	12/24GB 4mm DAT 5.25" HH

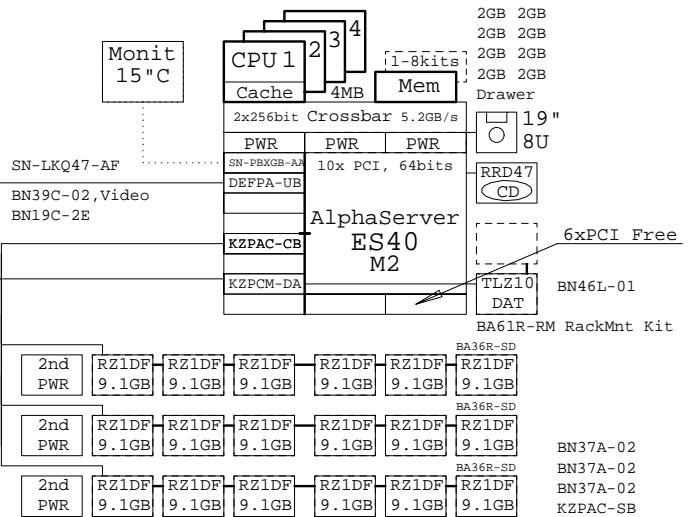


AlphaServer ES40
 In H9A15-MD



System2 M-Cabinet H9A15-MD Blue front door
 240V H9C15-TE CabExt Blue
 38U YS-ASCAA-AA M-CAB/SYS/STO Assemb

Tru64 UNIX
 500MHz EV6



BN21K-10
 TL891 DLT
 350/700GB

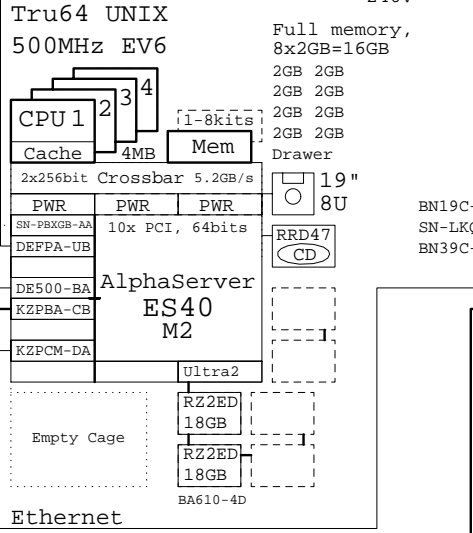
COMPAQ 07-Apr-1999 GTAUES403
 www.digital.com/golden-eggs

AlphaServer ES40 UNIX Cabinet M15
 GOLDEN EGGS Visual Configurations, Helsinki

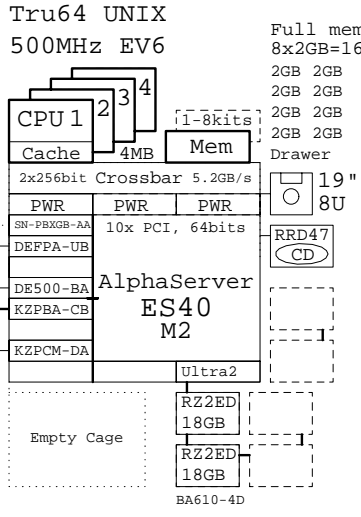
Ethernet
FDDI

ES40 Model 2 One Cabinet Systems, BA370,HSZ80

System1 M-Cabinet 38U H9A15-MD
240V



System2

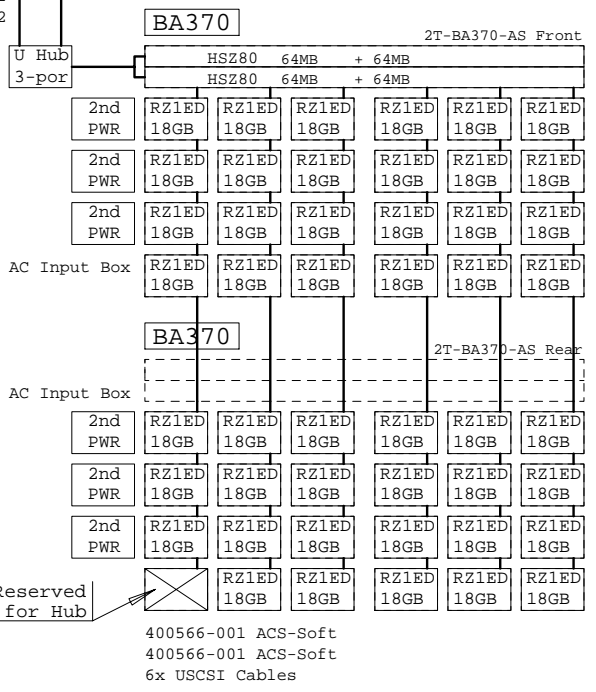


YS-ASCAA-AA M-CAB/SYS/STO Assemb
H9C15-TE CabExt Blue
Blue front door
BA61R-RM RackMnt Kit
BA61R-RM RackMnt Kit
400569-001 Tru64 UN

BN19C-2E
SN-LKQ47-AF
BN39C-02, Video

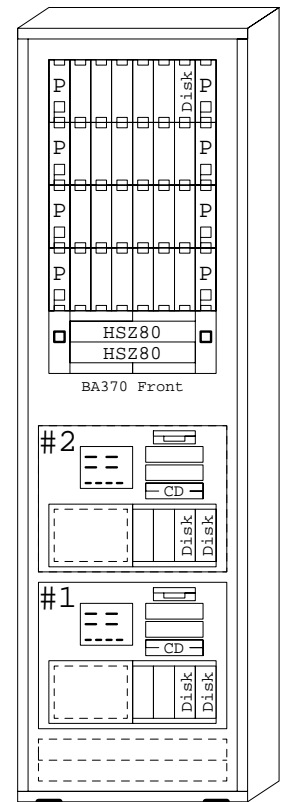
BN19C-2E
SN-LKQ47-AF
BN39C-02, Video

BN37A-02
BN37A-02
BN37A-02



Bill of material for this cabinet system

Part Number	Qty	Description
2T-BA370-AR	1	BA370 shelf,slides Rear RackMount
2T-BA370-AS	1	BA370 shelf,slides Front RackMount
380673-B21	2	Cache Upg RA8k ESA12k 64MB
400564-B21	2	Ultra Opt.1 cont w 2x 32MB Cache HSZ80
400566-001	2	Ultra opt ACS Controller softw. 1/cntrl
400569-001	1	Ultra opt OS Software Tru64 UNIX
BA61R-RM	2	ES40 Rackmount Kit
BA610-4D	2	ES40 Disk Drive Cage, 4Bay
BN19C-2E	2	PowerCable 240V, C-Europe
BN37A-02	3	Ultra Cbl VHDCI - VHDCI
BN39C-02	2	1.8 Video Extension Cable ****
DA-64AAA-EA	2	ES40 6/500 Model 2 2GB UNIX 10PCI DWR
DE500-BA	2	PCI/FAST Ethernet, CAT 5 UTP
DEFFPA-UB	2	PCI to FDDI SAS,TP-PMD
DS-BA35X-HE	2	AC INPUT BOX BA370
DS-BA35X-HH	6	180W power supply Blu SBB
DS-BNK37-1E	1	6 - 1.5 meter USCSI Cables
DS-DWZZH-03	1	Uscsi Act hub 0 SE:3/Dif 3.5" SBB
DS-RZ1ED-VW	47	18.2GB 10000r UltraSCSI disk
DS-RZ2ED-16	4	ES40 Disk 18GB 10k Ultra2 SCSI
H9A15-MD	1	M-Series Cab,H9A15,Blue,240V 38U
H9C15-TE	1	Rear cab extender for H9A15 Blue
H9C15-TF	1	FrontDoorKit Blue for H9A15
H7906-A9	4	ES40 Power Syply, 2nd or 3rd
KN610-AB	6	ES40 6/500MHz UNIX SMP
KZPBA-CB	2	PCI to UltraSCSI Adapter UWdif
KZPCM-DA	2	Dual Uscsi with FastEther PCI
MS610-EA	14	ES40 2GB Memory Option
SN-LKQ47-AF	2	102 KEY KYBD,NON-WIN, Finnish
SN-PBXGB-AA	2	PowerStorm 3D3D graphics
SN-VRQV5-24	2	COMPAQ V55 CLR MON,NH,TC095
YS-ASCAA-AA	1	M-CAB/SYS/STO Assembly



COMPAQ 16-Apr-1999 GTAUES404
www.digital.com/golden-eggs

AlphaServer ES40 UNIX Cabinet,BA370
GOLDEN EGGS Visual Configurations, Helsinki

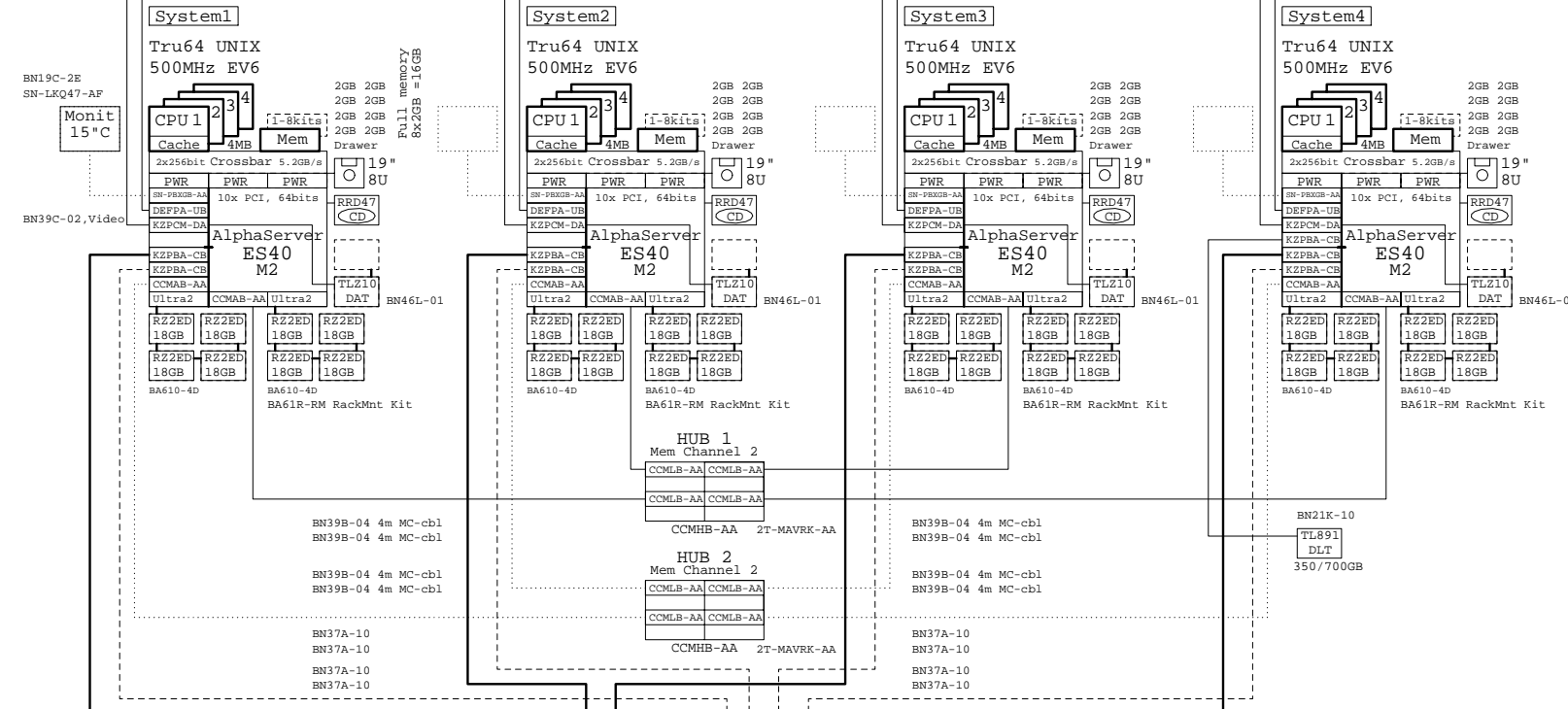
This template is included in the present GOLDEN EGGS Software kit.

ES40 UNIX

4x AlphaServer ES40 Model 2 System

Ethernet

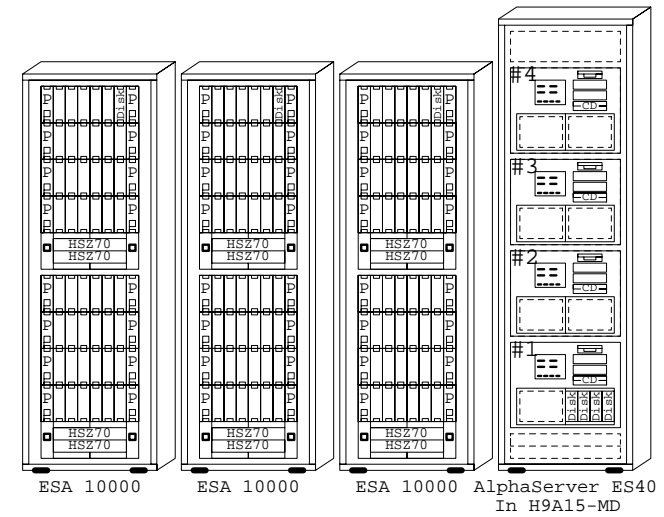
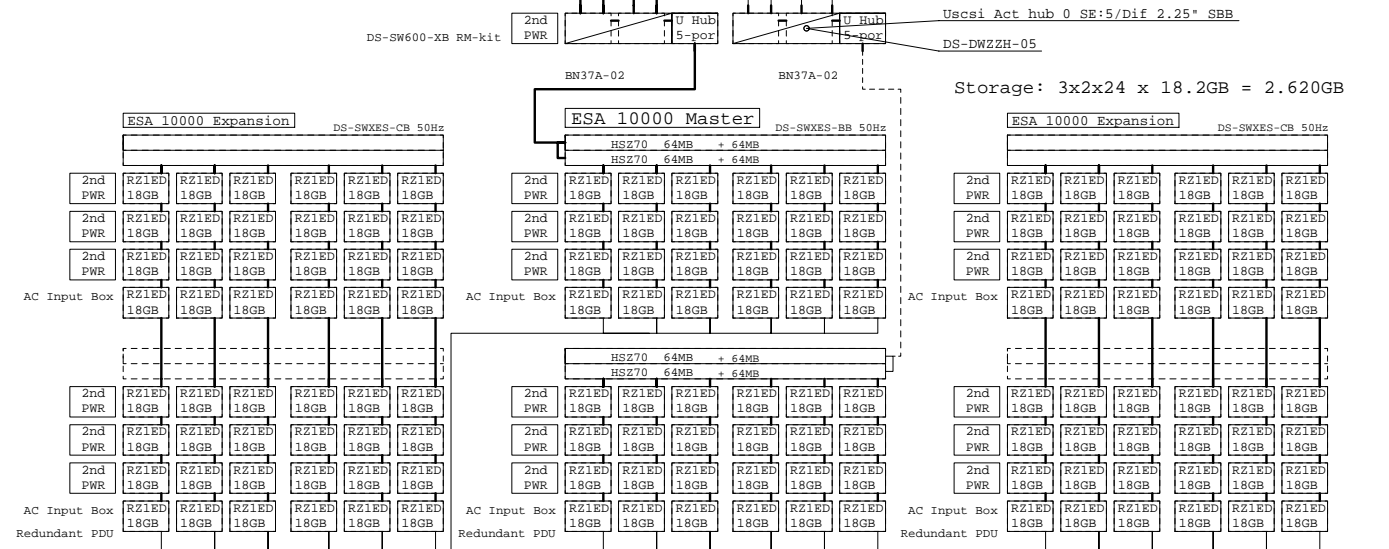
FDDI



YS-ASCAA-AA M-CAB/SYS/STO Assemb
 H9C15-TE CabExt Blue
 Blue front door
 M-Cabinet H9A15-MD
 240V
 38U

Bill of material for this system

Part Number	Qty	Description
2T-MAVRK-AA	2	RM HW Kit for CCMHB Mem.Chann-2
BA61R-RM	4	ES40 Rackmount Kit
BA610-4D	8	ES40 Disk Drive Cage, 4Bay
BN19C-2E	1	PowerCable 240V, C-Europe
BN21K-10	1	68HD SCSI cable 10m
BN37A-02	2	Ultra cbl VHDCI - VHDCI
BN37A-10	8	Ultra cbl VHDCI - VHDCI
BN39B-04	8	04m copper cbl for CCMAB Mem.Chan
BN39C-02	1	1.8 Video Extension Cable ****
BN46L-01	4	Multi head SCSI cable,ES40
CCMAB-AA	8	PCI Mem. Channel-2 Cluster cnt'l
CCMHB-AA	2	Hub for Mem.Chan-2 W 4x linecards
DA-64AAA-EA	4	ES40 6/500 Model 2 2GB UNIX 10PCI DWR
DEFFA-UB	4	PCI to FDDI SAS,TP-PMD
DS-BA35X-HE	6	AC INPUT BOX BA370
DS-BA35X-HH	19	180W power supply Blu SBB
DS-BA356-SG	1	Dev Shelf EMPTY Blue 2 blowers
DS-DWZZH-05	2	Uscsi Act hub 0 SE:5/Dif 2.25" SBB
DS-HSSIM-AB	4	64MB Cache Upg for HSZ70
DS-RZ1ED-VW	144	18.2GB 10000r UltraSCSI disk
DS-RZ2ED-16	32	ES40 Disk 18GB 10k Ultra2 SCSI
DS-SW6XP-AB	3	PDU REDUNDANT FOR SW600 50Hz
DS-SW600-XB	1	BA356 Rear mount brackets
DS-SWXES-BB	1	ESA HIGH BW BUILDING BLK 50HZ
DS-SWXES-CB	2	ESA DUAL EXP BLDG BLK 50Hz
DS-TL891-NT	1	10 slot 1 TZ89 Min Lib TT FWD
H9A15-MD	1	M-Series Cab,H9A15,Blue,240V 38U
H9C15-TE	1	Rear cab extender for H9A15 Blue
H9C15-TF	1	FrontDoorKit Blue for H9A15
H7906-A9	8	ES40 Power Sply, 2nd or 3rd
KN610-AB	12	ES40 6/500MHz UNIX SMP
KZPBA-CB	9	PCI to UltraSCSI Adapter Uwdif
KZPCM-DA	4	Dual Uscsi with FastEther PCI
MS610-EA	28	ES40 2GB Memory Option
QB-5SBAB-SA	4	HSZ70 SW UNIX Alp LIC/MCD/DOC
SN-LKQ47-AF	1	102 KEY KYBD, NON-WIN, Finnish
SN-PKX08-AA	4	PowerStom 303d graphics
SN-VROV5-24	1	COMPAQ V55 CLR MON,NH,TC095
TLZ10-LB	4	12/24GB 4mm DAT 5.25" HH
YS-ASCAA-AA	1	M-CAB/SYS/STO Assembly



QB-5SBAB-SA SW U/A Lic/MCD/DOC
 QB-5SBAB-SA SW U/A Lic/MCD/DOC
 QB-5SBAB-SA SW U/A Lic/MCD/DOC
 QB-5SBAB-SA SW U/A Lic/MCD/DOC

This template is included in the present GOLDEN EGGS Software kit.

ES40 UNIX

COMPAQ 07-Apr-1999 GTAUES405
 www.digital.com/golden-eggs

4x AlphaServer ES40 UNIX Systems
 GOLDEN EGGS Visual Configurations, Helsinki

ES40 One Cabinet Tru64 UNIX Cluster

Ethernet

FDDI

UNIX RTG Cluster

System1 M-Cabinet 38U H9A15-MD 240V

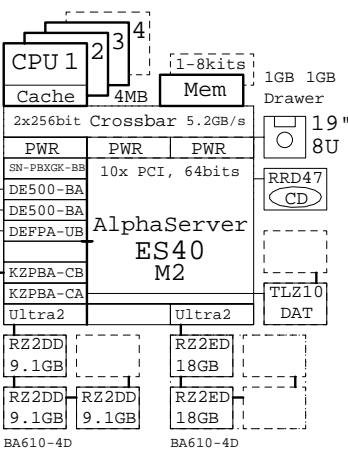
System2

Tru64 UNIX 500MHz EV6

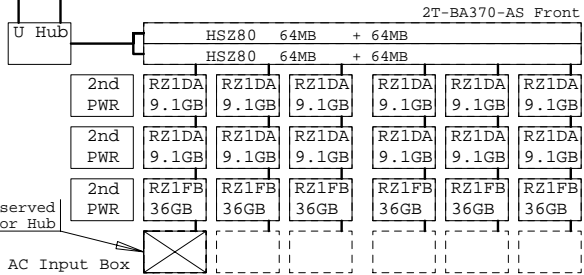
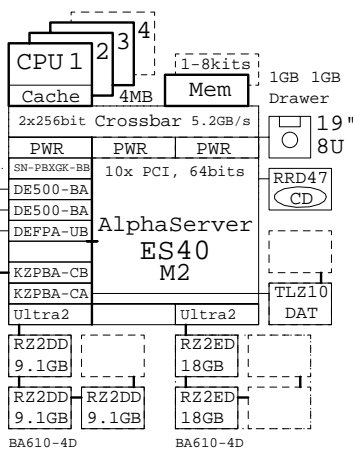
BN19C-2E
SN-LKQ47-AF
BN39C-02, Video

Tru64 UNIX

500MHz EV6



Ethernet
BN19C-2E
SN-LKQ47-AF
BN39C-02, Video

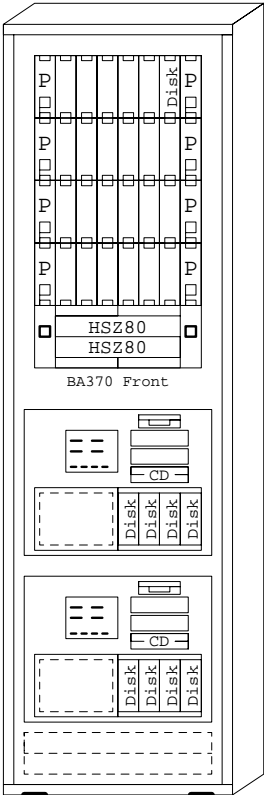


RAID

YS-ASCAA-AA M-CAB/SYS/STO Assemb
QB-5SPAB-SA SW U/A Lic/MCD/DOC

Bill of material for this cabinet system

Part Number	Qty	Description
400564-B21	1	Ultra Opt.1 cont w 2x 32MB Cache HSZ80
BA610-4D	2	ES40 Disk Drive Cage, 4Bay
BN19C-2E	2	PowerCable 240V, C-Europe
BN39C-02	2	1.8 Video Extension Cable ****
DA-64AAA-DA	2	ES40 6/500 Model 2 1GB UNIX 10PCI DWR
DA-AAHZA-KB	1	Cabinet Unix RTG ES40 RA8000 240V
DEFFPA-UB	2	PCI to FDDI SAS,TP-PMD
DS-HSSIM-AB	2	64MB Cache Upg for HSZ70
DS-RZ1DA-VW	10	9.1GB 7200r UltraSCSI disk
DS-RZ1FB-VW	6	36GB 7200 UltraSCSI Disk
DS-RZ2DD-16	6	ES40 Disk 9.1GB 10k Ultra2 SCSI
DS-RZ2ED-16	4	ES40 Disk 18GB 10k Ultra2 SCSI
H7906-A9	4	ES40 Power Syply, 2nd or 3rd
KN610-AB	4	ES40 6/500MHz UNIX SMP
MS610-DA	2	ES40 1GB Memory Option
QB-5SPAB-SA	1	HSZ80 SW UNIX Alp LIC/MCD/DOC
SN-LKQ47-AF	2	102 KEY KYBD, NON-WIN, Finnish
SN-PBXGK-BB	2	Elsa Gloria Synergy 8M Video Graphics
SN-VRQV5-24	2	COMPAQ V55 CLR MON,NH,TC095
YS-ASCAA-AA	1	M-CAB/SYS/STO Assembly



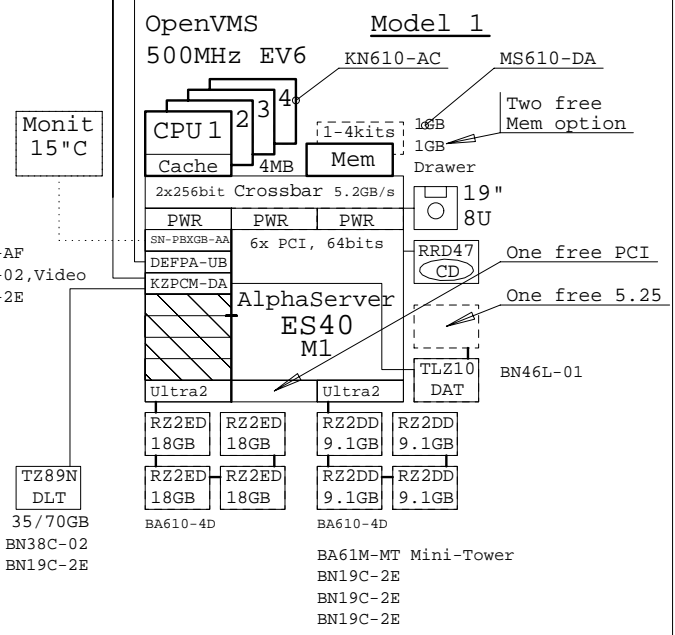
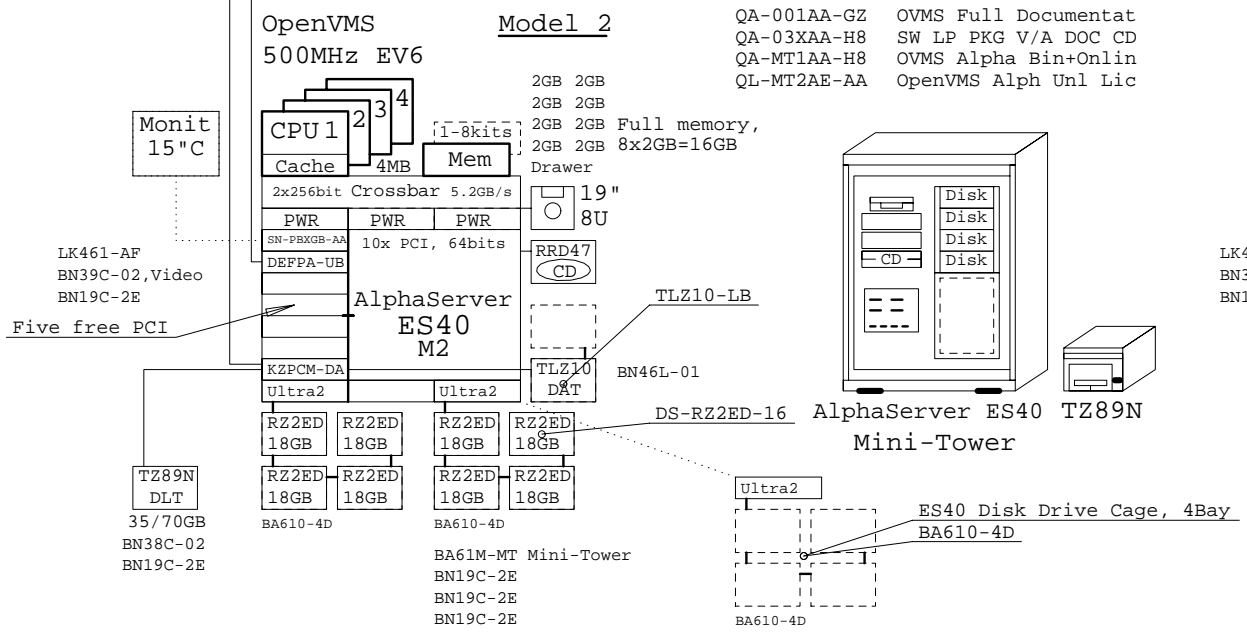
AlphaServer ES40 In H9A15-MD

COMPAQ 02-Jul-1999 GTAUES406
www.digital.com/golden-eggs

AlphaServer ES40 Tru64 UNIX Cluster
GOLDEN EGGS Visual Configurations, Helsinki

Ethernet FDDI **ES40 Model 2 Tower System**

ES40 Model 1 Tower System



Bill of Material, Model 2

Part Number	Qty	Description
BA610-4D	2	ES40 Disk Drive Cage, 4Bay
BA61M-MT	1	ES40 Mini-Tower Enclosure
BN19C-2E	5	PowerCable 240V, C-Europe
BN38C-02	1	Ultra Cbl VHDCI - 68HD
BN39C-02	1	1.8 Video Extension Cable ****
BN46L-01	1	Multi head SCSI cable,ES40
DEFFPA-UB	1	PCI to FDDI SAS,TP-PMD
DS-RZ2ED-16	8	ES40 Disk 18GB 10k Ultra2 SCSI
DS-TZ89N-TA	1	35/70GB SE DLT-tape TT FWSE
DY-64AAA-EA	1	ES40 6/500 Model 2 2GB OVMS 10PCI DWR
H7906-A9	2	ES40 Power Syply, 2nd or 3rd
KN610-AC	3	ES40 6/500MHz OVMS SMP
KZPCM-DA	1	Dual Uscsi with FastEther PCI
LK461-AF	1	VMS STYLE KEYBOARD, Fin/Swed
MS610-EA	7	ES40 2GB Memory Option
QA-001AA-GZ	1	OVMS Full Documentation
QA-03XAA-H8	1	SW LP PKG V/A DOC CDROM
QA-MT1AA-H8	1	OVMS Alpha Bin+Onlin DOC CDROM
QL-MT2AE-AA	1	OpenVMS Alph Unl Lic
SN-PBXGB-AA	1	PowerStorm 3D3D graphics
SN-VRQV5-24	1	COMPAQ V55 CLR MON,NH,TC095
TLZ10-LB	1	12/24GB 4mm DAT 5.25" HH

Bill of Material, Model 1

Part Number	Qty	Description
BA610-4D	2	ES40 Disk Drive Cage, 4Bay
BA61M-MT	1	ES40 Mini-Tower Enclosure
BN19C-2E	5	PowerCable 240V, C-Europe
BN38C-02	1	Ultra Cbl VHDCI - 68HD
BN39C-02	1	1.8 Video Extension Cable ****
BN46L-01	1	Multi head SCSI cable,ES40
DEFFPA-UB	1	PCI to FDDI SAS,TP-PMD
DS-RZ2DD-16	4	ES40 Disk 9.1GB 10k Ultra2 SCSI
DS-RZ2ED-16	4	ES40 Disk 18GB 10k Ultra2 SCSI
DS-TZ89N-TA	1	35/70GB SE DLT-tape TT FWSE
DY-62AAA-DA	1	ES40 6/500 Model 1 1GB OVMS 6PCI DWR
H7906-A9	2	ES40 Power Syply, 2nd or 3rd
KN610-AC	3	ES40 6/500MHz OVMS SMP
KZPCM-DA	1	Dual Uscsi with FastEther PCI
LK461-AF	1	VMS STYLE KEYBOARD, Fin/Swed
MS610-DA	1	ES40 1GB Memory Option
QA-001AA-GZ	1	OVMS Full Documentation
QA-03XAA-H8	1	SW LP PKG V/A DOC CDROM
QA-MT1AA-H8	1	OVMS Alpha Bin+Onlin DOC CDROM
QL-MT2AE-AA	1	OpenVMS Alph Unl Lic
SN-PBXGB-AA	1	PowerStorm 3D3D graphics
SN-VRQV5-24	1	COMPAQ V55 CLR MON,NH,TC095
TLZ10-LB	1	12/24GB 4mm DAT 5.25" HH

This template is included in the present GOLDEN EGGS Software kit.

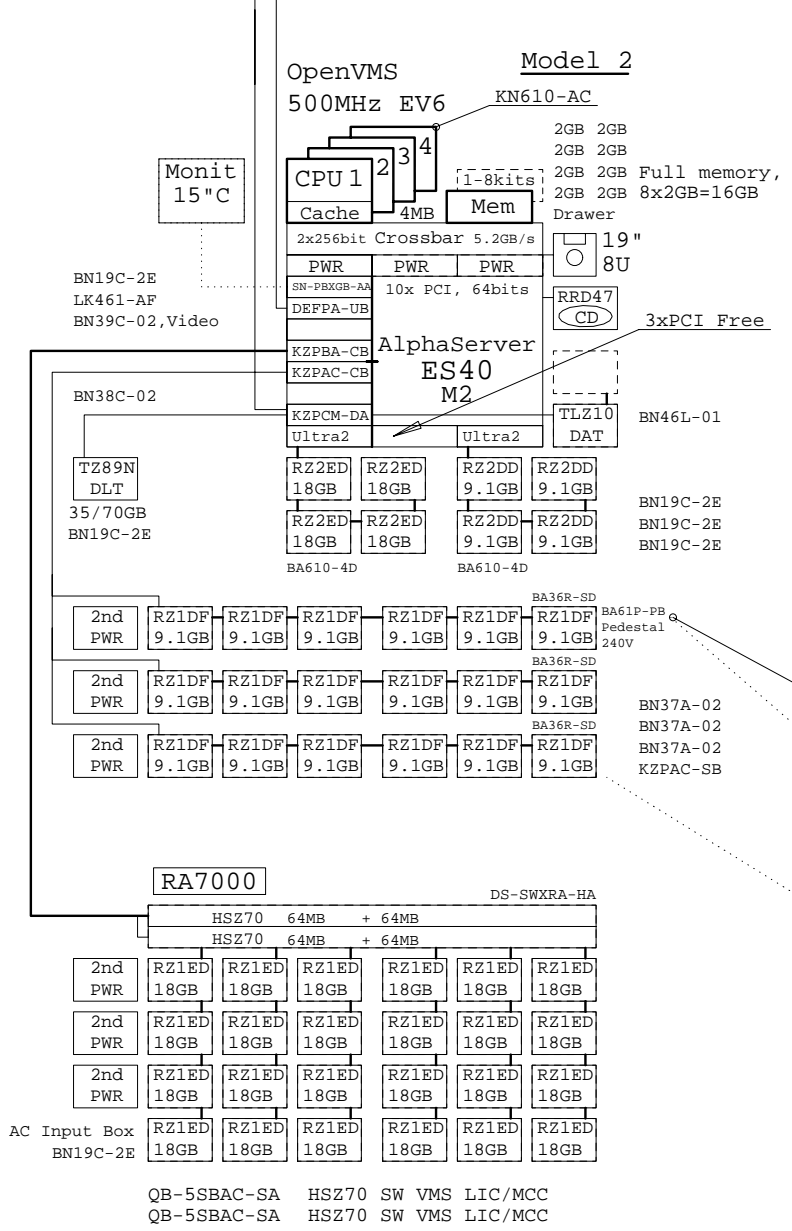
ES40 OVMS

COMPAQ 07-Apr-1999 GTAVES401
www.digital.com/golden-eggs

AlphaServer ES40 OpenVMS systems
GOLDEN EGGS Visual Configurations, Helsinki

Ethernet ES40 Model 2 Pedestal System

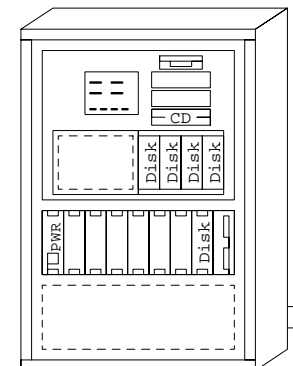
FDDI



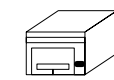
- QA-001AA-GZ OVMS Full Documentat
- QA-03XAA-H8 SW LP PKG V/A DOC CD
- QA-MT1AA-H8 OVMS Alpha Bin+Onlin
- QL-MT2AE-AA OpenVMS Alph Unl Lic

Bill of material for the base Pedestal

Part Number	Qty	Description
BA610-4D	2	ES40 Disk Drive Cage, 4Bay
BA61P-PB	1	ES40 Pedestal Enclosure 240V Europe
BN19C-2E	5	PowerCable 240V, C-Europe
BN38C-02	1	Ultra Cbl VHDCI - 68HD
BN39C-02	1	1.8 Video Extension Cable ****
BN46L-01	1	Multi head SCSI cable,ES40
DEFFPA-UB	1	PCI to FDDI SAS,TP-PMD
DS-RZ2DD-16	4	ES40 Disk 9.1GB 10k Ultra2 SCSI
DS-RZ2ED-16	4	ES40 Disk 18GB 10k Ultra2 SCSI
DS-TZ89N-TA	1	35/70GB SE DLT-tape TT FWSE
DY-64AAA-EA	1	ES40 6/500 Model 2 2GB OVMS 10PCI DWR
H7906-A9	2	ES40 Power Syply, 2nd or 3rd
KN610-AC	3	ES40 6/500MHz OVMS SMP
KZPCM-DA	1	Dual Uscsi with FastEther PCI
LK461-AF	1	VMS STYLE KEYBOARD, Fin/Swed
MS610-EA	7	ES40 2GB Memory Option
QA-001AA-GZ	1	OVMS Full Documentation
QA-03XAA-H8	1	SW LP PKG V/A DOC CDROM
QA-MT1AA-H8	1	OVMS Alpha Bin+Onlin DOC CDROM
QL-MT2AE-AA	1	OpenVMS Alph Unl Lic
SN-PBXGB-AA	1	PowerStorm 3D3D graphics
SN-VRQV5-24	1	COMPAQ V55 CLR MON,NH,TCO95
TLZ10-LB	1	12/24GB 4mm DAT 5.25" HH



AlphaServer ES40



TZ89N

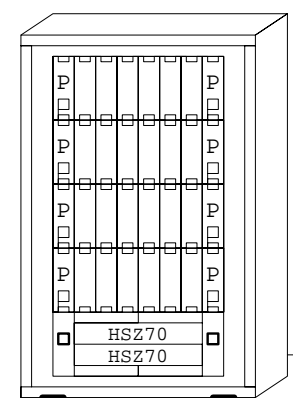
ES40 Pedestal Enclosure 240V Europe

BOM for the RAID disks in pedestal

Part Number	Qty	Description
BA36R-SD	3	RH ULTRASCSCI SHELF PED SINGLE
BN37A-02	3	Ultra Cbl VHDCI - VHDCI
CK-BA35X-HH	3	180W Stor.Shelf PWR for AS4x00
DS-RZ1DF-VW	18	9.1GB 7200 UltraSCSCI 16bit
KZPAC-CB	1	3 Chan. SCSI RAID 8MB UltraW
KZPAC-SB	1	Dual bulk head

BOM for the external RA7000 RAID

Part Number	Qty	Description
BN19C-2E	1	PowerCable 240V, C-Europe
DS-BA35X-HE	1	AC INPUT BOX BA370
DS-BA35X-HH	3	180W power supply Blu SBB
DS-HSSIM-AB	2	64MB Cache Upg for HSZ70
DS-RZ1ED-VW	24	18.2GB 10000r UltraSCSCI disk
DS-SWXRA-HA	1	RA7000 Dual 24SBB Pedestal
KZPBA-CB	1	PCI to UltraSCSCI Adapter Uwdif
QB-5SBAC-SA	2	HSZ70 SW VMS LIC/MCD/DOC



RAID Array 7000

- QB-5SBAC-SA HSZ70 SW VMS LIC/MCC
- QB-5SBAC-SA HSZ70 SW VMS LIC/MCC

COMPAQ 07-Apr-1999 GTAVES402
www.digital.com/golden-eggs

AlphaServer ES40 OpenVMS Pedestal
GOLDEN EGGS Visual Configurations, Helsinki

This template is included in the present GOLDEN EGGS Software kit.

ES40 OVMS

Ethernet
FDDI

ES40 Model 2 Dual Cabinet Systems

System1 M-Cabinet H9A15-MD Blue front door
240V H9C15-TE CabExt Blue
OpenVMS 38U YS-ASCAA-AA M-CAB/SYS/STO Assemb
500MHz EV6

QA-001AA-GZ OVMS Full Documentat
QA-03XAA-H8 SW LP PKG V/A DOC CD
QA-MT1AA-H8 OVMS Alpha Bin+Onlin
QL-MT2AE-AA OpenVMS Alph Unl Lic

Bill of material for the base Cabinet

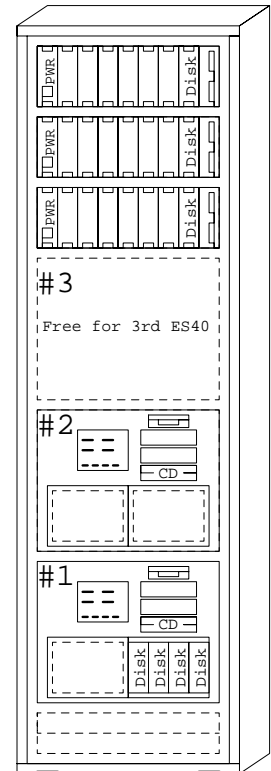
Part Number	Qty	Description
BA610-4D	2	ES40 Disk Drive Cage, 4Bay
BA61R-RM	1	ES40 Rackmount Kit
BN19C-2E	1	PowerCable 240V, C-Europe
BN21K-10	1	68HD SCSI cable 10m
BN39C-02	1	1.8 Video Extension Cable ****
BN46L-01	1	Multi head SCSI cable,ES40
DEFFPA-UB	1	PCI to FDDI SAS,TP-PMD
DS-RZ2DD-16	4	ES40 Disk 9.1GB 10k Ultra2 SCSI
DS-RZ2ED-16	4	ES40 Disk 18GB 10k Ultra2 SCSI
DS-TL891-NT	1	10 slot 1 TZ89 Min Lib TT FWD
DY-64AAA-EA	1	ES40 6/500 Model 2 2GB OVMS 10PCI DWR
H7906-A9	2	ES40 Power Syply, 2nd or 3rd
H9A15-MD	1	M-Series Cab,H9A15,Blue,240V 38U
H9C15-TE	1	Rear cab extender for H9A15 Blue
H9C15-TF	1	FrontDoorKit Blue for H9A15
KN610-AC	3	ES40 6/500MHz OVMS SMP
KZPBA-CB	1	PCI to UltraSCSI Adapter Uwdif
KZPCM-DA	1	Dual Uscsi with FastEther PCI
LK461-AF	1	VMS STYLE KEYBOARD, Fin/Swed
MS610-EA	7	ES40 2GB Memory Option
QA-001AA-GZ	1	OVMS Full Documentation
QA-03XAA-H8	1	SW LP PKG V/A DOC CDROM
QA-MT1AA-H8	1	OVMS Alpha Bin+Onlin DOC CDROM
QL-MT2AE-AA	1	OpenVMS Alph Unl Lic
SN-PBXGB-AA	1	PowerStorm 3D3D graphics
SN-VRQV5-24	1	COMPAQ V55 CLR MON,NH,TCO95
TLZ10-LB	1	12/24GB 4mm DAT 5.25" HH
YS-ASCAA-AA	1	M-CAB/SYS/STO Assembly

BOM for the first RAID disks in cabinet

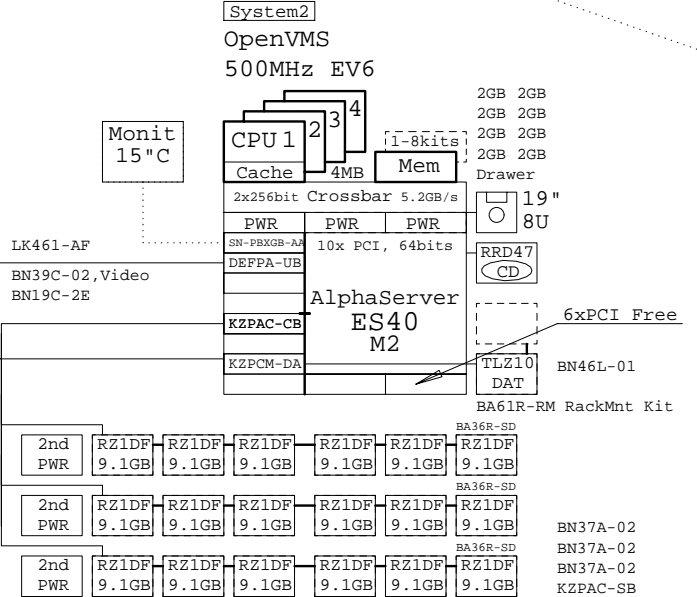
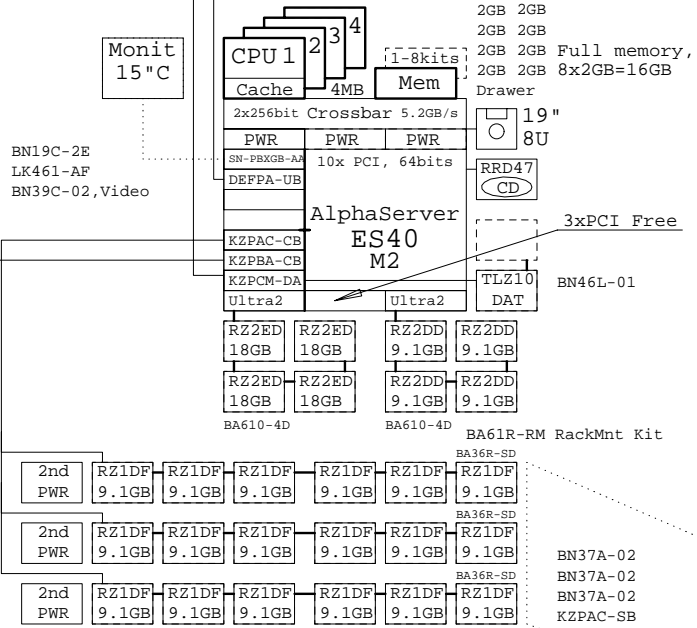
Part Number	Qty	Description
BA36R-SD	3	RH ULTRASCSCI SHELF PED SINGLE
BN37A-02	3	Ultra Cbl VHDCI - VHDCI
CK-BA35X-HH	3	180W Stor.Shelf PWR for AS4x00
DS-RZ1DF-VW	18	9.1GB 7200 UltraSCSI 16bit
KZPAC-CB	1	3 Chan. SCSI RAID 8MB UltraW
KZPAC-SB	1	Dual bulk head

BOM for the second ES40 + RAID disks

Part Number	Qty	Description
BA36R-SD	3	RH ULTRASCSCI SHELF PED SINGLE
BA61R-RM	1	ES40 Rackmount Kit
BN19C-2E	1	PowerCable 240V, C-Europe
BN37A-02	3	Ultra Cbl VHDCI - VHDCI
BN39C-02	1	1.8 Video Extension Cable ****
BN46L-01	1	Multi head SCSI cable,ES40
CK-BA35X-HH	3	180W Stor.Shelf PWR for AS4x00
DEFFPA-UB	1	PCI to FDDI SAS,TP-PMD
DS-RZ1DF-VW	18	9.1GB 7200 UltraSCSI 16bit
DY-64AAA-EA	1	ES40 6/500 Model 2 2GB OVMS 10PCI DWR
H7906-A9	2	ES40 Power Syply, 2nd or 3rd
KN610-AC	3	ES40 6/500MHz OVMS SMP
KZPAC-CB	2	3 Chan. SCSI RAID 8MB UltraW
KZPAC-SB	1	Dual bulk head
KZPCM-DA	1	Dual Uscsi with FastEther PCI
LK461-AF	1	VMS STYLE KEYBOARD, Fin/Swed
MS610-EA	7	ES40 2GB Memory Option
SN-PBXGB-AA	1	PowerStorm 3D3D graphics
SN-VRQV5-24	1	COMPAQ V55 CLR MON,NH,TCO95
TLZ10-LB	1	12/24GB 4mm DAT 5.25" HH



AlphaServer ES40
In H9A15-MD



BN21K-10
TL891
DLT
350/700GB

BN19C-2E
LK461-AF
BN39C-02, Video

LK461-AF
BN39C-02, Video
BN19C-2E

COMPAQ 07-Apr-1999 GTAVES403
www.digital.com/golden-eggs

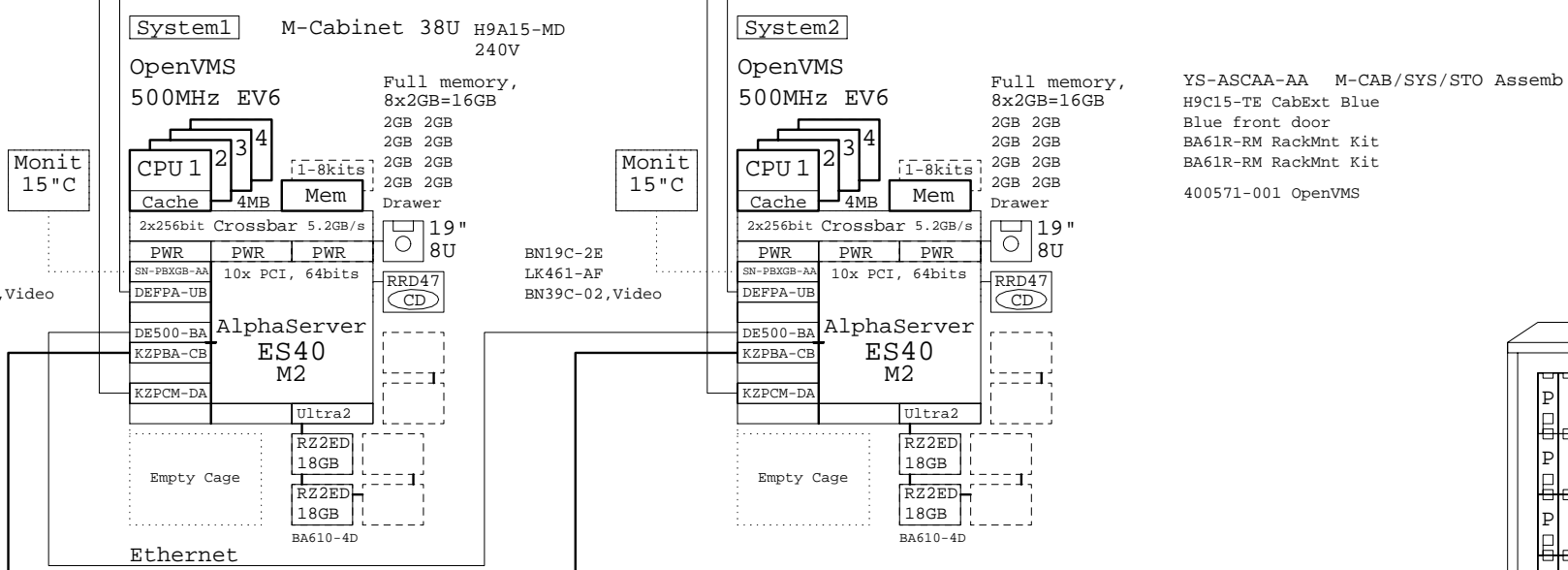
AlphaServer ES40 OVMS Cabinet M15
GOLDEN EGGS Visual Configurations, Helsinki

This template is included in the present GOLDEN EGGS Software kit.

ES40 OVMS

Ethernet
FDDI

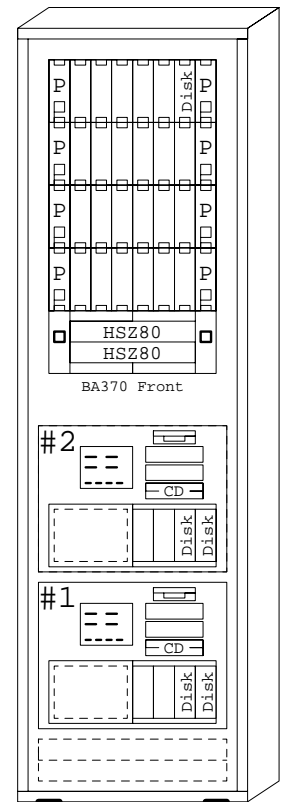
ES40 Model 2 One Cabinet Systems, BA370,HSZ80



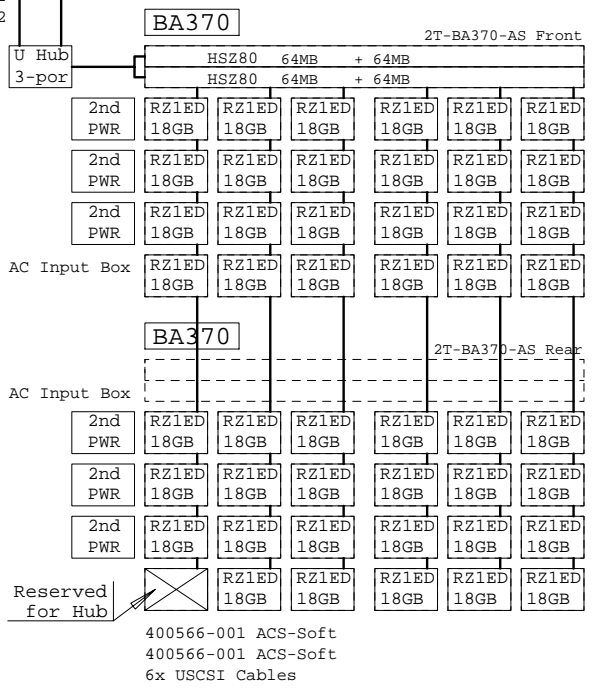
YS-ASCAA-AA M-CAB/SYS/STO Assemb
H9C15-TE CabExt Blue
Blue front door
BA61R-RM RackMnt Kit
BA61R-RM RackMnt Kit
400571-001 OpenVMS

Bill of material for this cabinet system

Part Number	Qty	Description
2T-BA370-AR	1	BA370 shelf,slides Rear RackMount
2T-BA370-AS	1	BA370 shelf,slides Front RackMount
380673-B21	2	Cache Upg RA8k ESA12k 64MB
400564-B21	2	Ultra Opt.1 cont w 2x 32MB Cache HSZ80
400566-001	2	Ultra opt ACS Controller softw. 1/cntrl
400571-001	1	Ultra opt OS Software OpenVMS
BA61R-RM	2	ES40 Rackmount Kit
BA610-4D	2	ES40 Disk Drive Cage, 4Bay
BN19C-2E	2	PowerCable 240V, C-Europe
BN37A-02	3	Ultra Cbl VHDCI - VHDCI
BN39C-02	2	1.8 Video Extension Cable ****
DE500-BA	2	PCI/FAST Ethernet, CAT 5 UTP
DEFPPA-UB	2	PCI to FDDI SAS,TP-PMD
DS-BA35X-HE	2	AC INPUT BOX BA370
DS-BA35X-HH	6	180W power supply Blu SBB
DS-BNK37-1E	1	6 - 1.5 meter U SCSI Cables
DS-DWZZH-03	1	Uscsi Act hub 0 SE:3/Dif 3.5" SBB
DS-RZ1ED-VW	47	18.2GB 10000r UltraSCSI disk
DS-RZ2ED-16	4	ES40 Disk 18GB 10k Ultra2 SCSI
DY-64AAA-EA	2	ES40 6/500 Model 2 2GB OVMS 10PCI DWR
H9A15-MD	1	M-Series Cab,H9A15,Blue,240V 38U
H9C15-TE	1	Rear cab extender for H9A15 Blue
H9C15-TF	1	FrontDoorKit Blue for H9A15
H7906-A9	4	ES40 Power Syply, 2nd or 3rd
KN610-AC	6	ES40 6/500MHz OVMS SMP
KZPBA-CB	2	PCI to UltraSCSI Adapter UWdf
KZPCM-DA	2	Dual Uscsi with FastEther PCI
LK461-AF	2	VMS STYLE KEYBOARD, Fin/Swed
MS610-EA	14	ES40 2GB Memory Option
SN-PBXGB-AA	2	PowerStorm 3D3D graphics
SN-VRQV5-24	2	COMPAQ V55 CLR MON,NH,TC095
YS-ASCAA-AA	1	M-CAB/SYS/STO Assembly



AlphaServer ES40
In H9A15-MD



COMPAQ	16-Apr-1999	GTAVES404
	www.digital.com/golden-eggs	

AlphaServer ES40 OVMS Cabinet,BA370
GOLDEN EGGS Visual Configurations, Helsinki

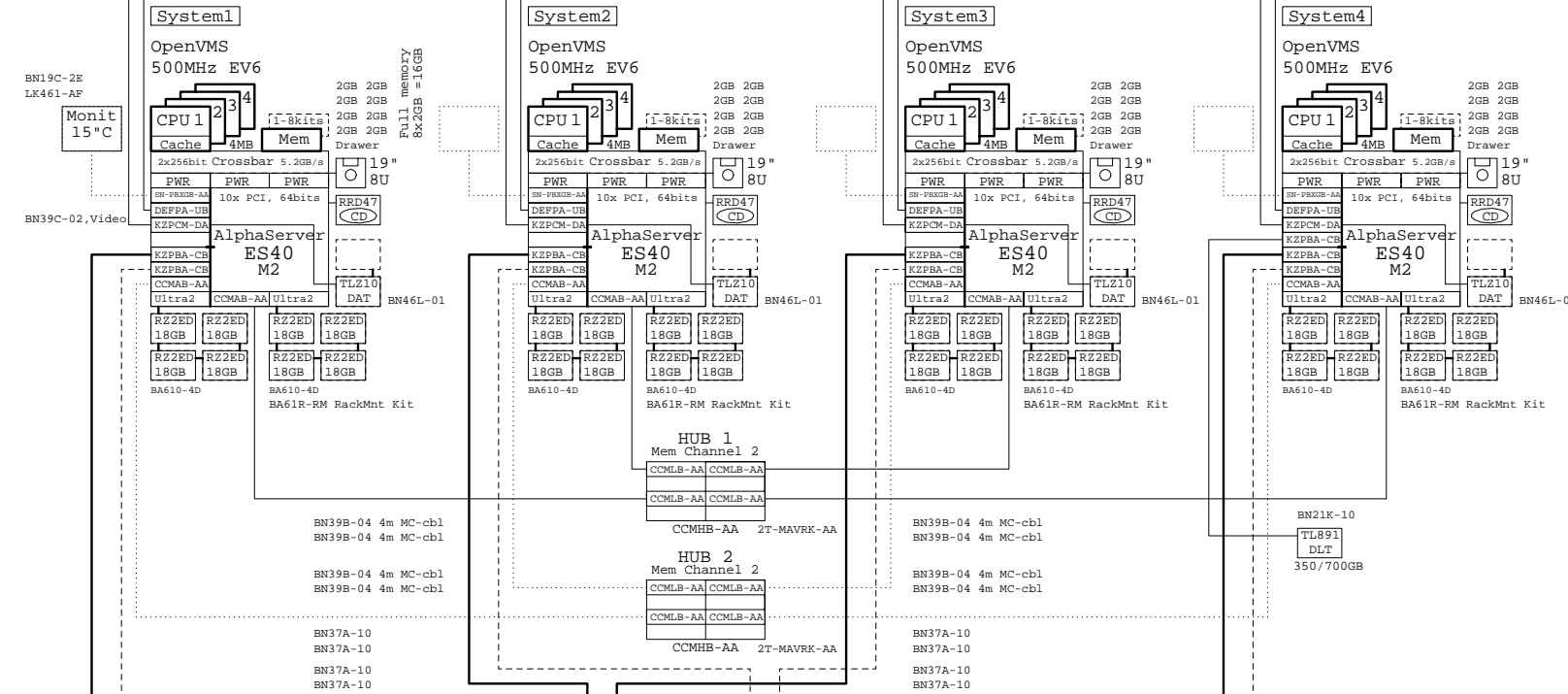
This template is included in the present GOLDEN EGGS Software kit.

ES40 OVMS

4x AlphaServer ES40 Model 2 OpenVMS Cluster

Ethernet

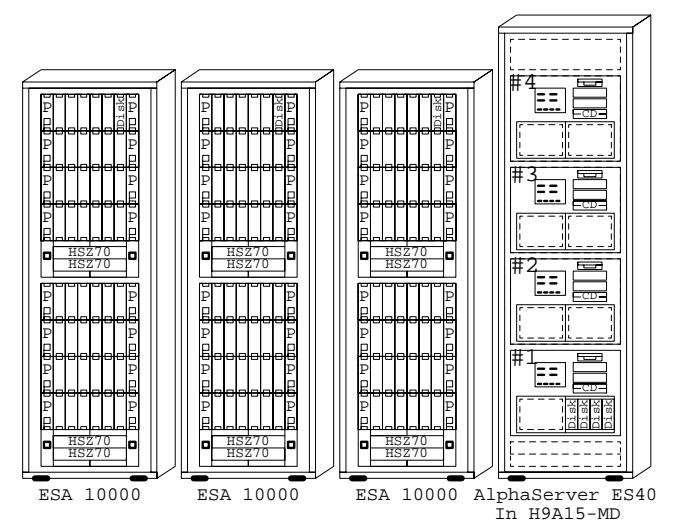
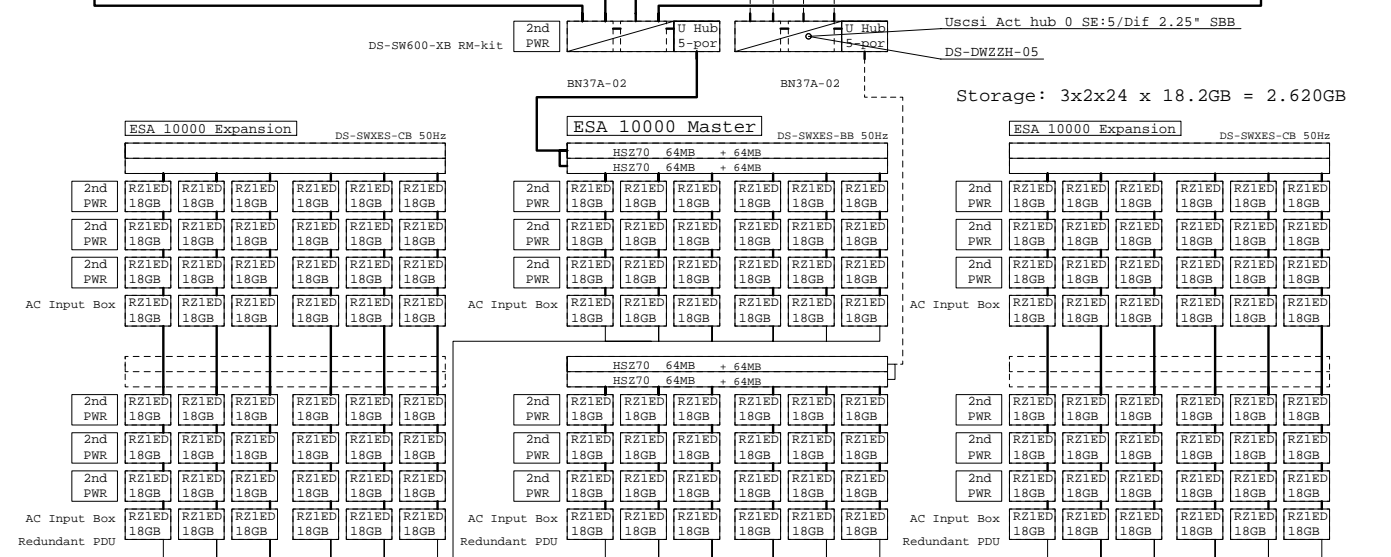
FDDI



YS-ASCAA-AA M-CAB/SYS/STO Assemb
 H9C15-TE CabExt Blue
 Blue front door
 M-Cabinet H9A15-MD
 240V
 38U

Bill of material for this system

Part Number	Qty	Description
2T-MAVRK-AA	2	RM HW Kit for CCMHB Mem.Chann-2
BA61R-RM	4	ES40 Rackmount Kit
BA610-4D	8	ES40 Disk Drive Cage, 4Bay
BN19C-2E	1	PowerCable 240V, C-Europe
BN21K-10	1	68HD SCSI cable 10m
BN37A-02	2	Ultra Cbl VHDCI - VHDCI
BN37A-10	8	Ultra Cbl VHDCI - VHDCI
BN39B-04	8	04m copper cbl for CCMAB Mem.Chan
BN39C-02	1	1.8 Video Extension Cable ****
BN46L-01	4	Multi head SCSI cable,ES40
CCMAB-AA	8	PCI Mem. Channel-2 Cluster cntrl
CCMHB-AA	2	HUB for Mem.Chan-2 W 4x linecards
DEFFA-UB	4	PCI to FDDI SAS,TP-FMD
DS-BA35X-HE	6	AC INPUT BOX BA370
DS-BA35X-HH	19	180W power supply Blu SBB
DS-BA356-SG	1	Dev Shelf EMPTY Blue 2 blowers
DS-DWZZH-05	2	Uscai Act hub 0 SE:5/Dif 2.25" SBB
DS-HSSIM-AB	4	64MB Cache Upd for HSZ70
DS-RZ1ED-VW	144	18.2GB 10000r UltraSCSI disk
DS-RZ2ED-16	32	ES40 Disk 18GB 10k Ultra2 SCSI
DS-SW600-AB	3	REDUNDANT FOR SW600 50Hz
DS-SW600-XB	1	BA356 Rear mount brackets
DS-SWXES-BB	1	ESA HIGH BW BUILDING BLK 50Hz
DS-SWXES-CB	2	ESA DUAL EXP BLDG BLK 50Hz
DS-TL891-NT	1	10 slot 1 TZ89 Min Lib TT FWD
DY-64AAA-EA	4	ES40 6/500 Model 2 2GB OVMS 10PCI DWR
H9A15-MD	1	M-Series Cab,H9A15,Blue,240V 38U
H9C15-TE	1	Rear cab extender for H9A15 Blue
H9C15-TF	1	FrontDoorKit Blue for H9A15
H7906-A9	8	ES40 Power Sply, 2nd or 3rd
KN610-AC	12	ES40 6/500MHz OVMS SMP
KZPBA-CB	9	PCI to UltraSCSI Adapter UWdif
KZPCM-DA	4	Dual Uscai with FastEther PCI
LK461-AF	1	VMS STYLE KEYBOARD Fin/Swed
MS610-EA	28	ES40 2GB Memory Option
QB-S5BAC-SA	4	HSZ70 SW VMS LIC/MCD/DOC
SN-PBXGB-AA	4	PowerStorm 3D3D graphics
SN-VROV5-24	1	COMPAQ V55 CLR MON,NH,TC095
TLZ10-LB	4	12/24GB 4mm DAT 5.25" HH
YS-ASCAA-AA	1	M-CAB/SYS/STO Assembly



QB-S5BAC-SA HSZ70 SW VMS LIC/MCC
 QB-S5BAC-SA HSZ70 SW VMS LIC/MCC
 QB-S5BAC-SA HSZ70 SW VMS LIC/MCC
 QB-S5BAC-SA HSZ70 SW VMS LIC/MCC

This template is included in the present GOLDEN EGGS Software kit.

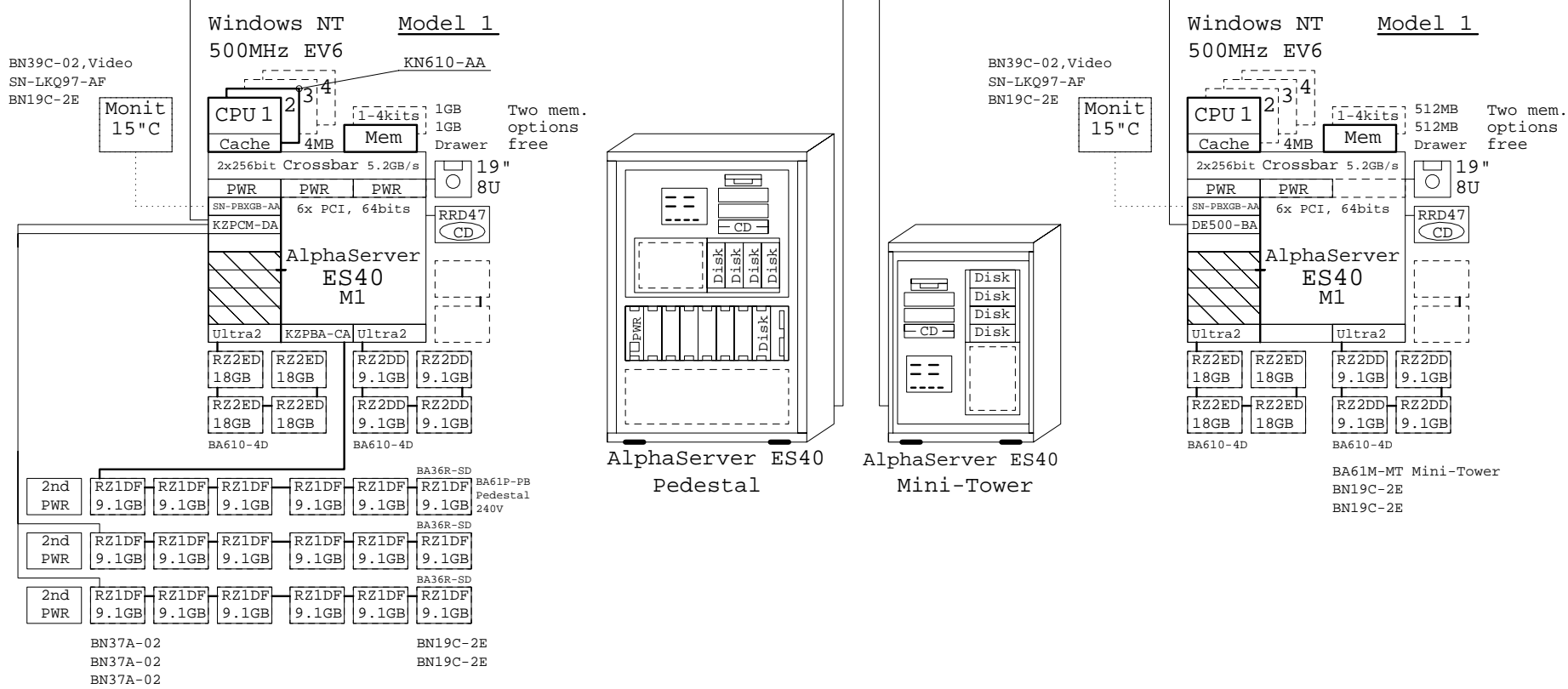
ES40 OVMS

COMPAQ 07-Apr-1999 GTAVES405
 www.digital.com/golden-eggs

4x AlphaServer ES40 OVMS Cluster
 GOLDEN EGGS Visual Configurations, Helsinki

Ethernet ES40 Model 1 Windows NT Pedestal System

ES40 Model 1 Windows NT Tower System



Bill of Material for Pedestal

Part Number	Qty	Description
BA36R-SD	3	RH ULTRASCSCI SHELF PED SINGLE
BA610-4D	2	ES40 Disk Drive Cage, 4Bay
BA61P-PB	1	ES40 Pedestal Enclosure 240V Europe
BN19C-2E	3	PowerCable 240V, C-Europe
BN37A-02	3	Ultra Cbl VHDCI - VHDCI
BN39C-02	1	1.8 Video Extension Cable ****
CK-BA35X-HH	3	180W Stor.Shelf PWR for AS4x00
DN-62AAA-DA	1	ES40 6/500 Model 1 1GB WNT 6PCI DWR
DS-RZ1DF-VW	18	9.1GB 7200 UltraSCSI 16bit
DS-RZ2DD-16	4	ES40 Disk 9.1GB 10k Ultra2 SCSI
DS-RZ2ED-16	4	ES40 Disk 18GB 10k Ultra2 SCSI
H7906-A9	2	ES40 Power Syply, 2nd or 3rd
KN610-AA	1	ES40 6/500MHz SMP
KZPBA-CA	1	PCI to UltraSCSI Adapter UWSE
KZPCM-DA	1	Dual Uscsi with FastEther PCI
MS610-DA	1	ES40 1GB Memory Option
SN-LKQ97-AF	1	102 KEY KYBD, WIN, Finnish
SN-PBXGB-AA	1	PowerStorm 3D3D graphics
SN-VRQV5-24	1	COMPAQ V55 CLR MON,NH,TCO95

Bill of Material for Mini-Tower

Part Number	Qty	Description
BA610-4D	2	ES40 Disk Drive Cage, 4Bay
BA61M-MT	1	ES40 Mini-Tower Enclosure
BN19C-2E	3	PowerCable 240V, C-Europe
BN39C-02	1	1.8 Video Extension Cable ****
DE500-BA	1	PCI/FAST Ethernet, CAT 5 UTP
DN-62AAA-CA	1	ES40 6/500 Model 1 512MB WNT 6PCI DWR
DS-RZ2DD-16	4	ES40 Disk 9.1GB 10k Ultra2 SCSI
DS-RZ2ED-16	4	ES40 Disk 18GB 10k Ultra2 SCSI
H7906-A9	1	ES40 Power Syply, 2nd or 3rd
MS610-CA	1	ES40 512MB Memory Option
SN-LKQ97-AF	1	102 KEY KYBD, WIN, Finnish
SN-PBXGB-AA	1	PowerStorm 3D3D graphics
SN-VRQV5-24	1	COMPAQ V55 CLR MON,NH,TCO95

This template is included in the present GOLDEN EGGS Software kit.

ES40 WNT

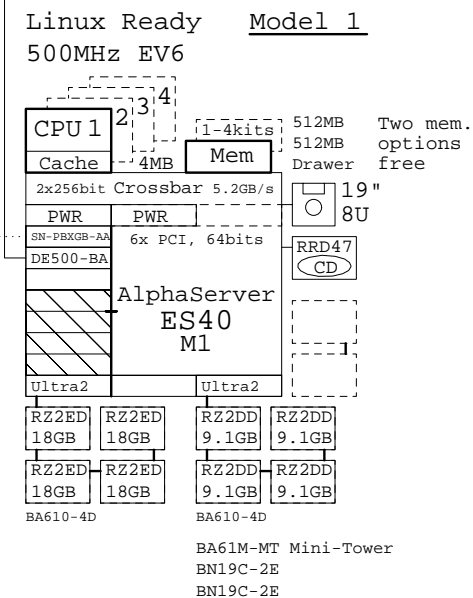
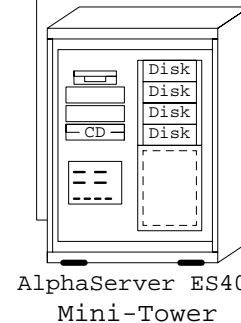
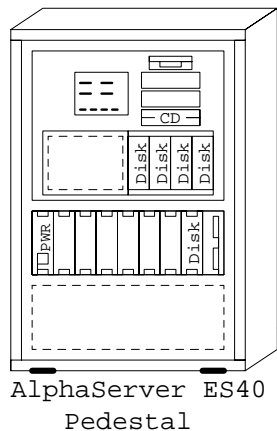
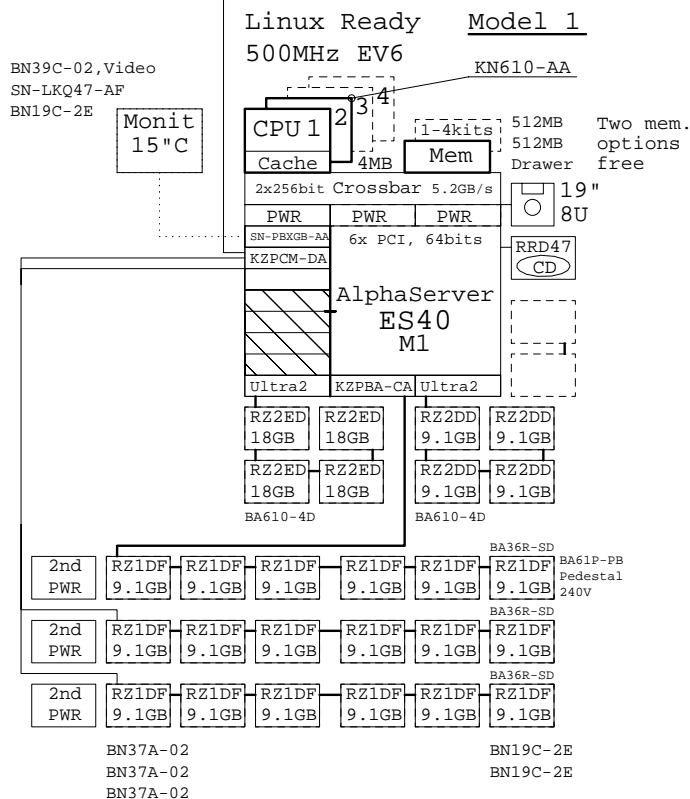


03-Jun-1999 GTANES401
www.digital.com/golden-eggs

AlphaServer ES40 Windows NT system
GOLDEN EGGS Visual Configurations, Helsinki

Ethernet ES40 Model 1 Linux Ready Pedestal System

ES40 Model 1 Linux Ready Tower System



Bill of Material for Pedestal

Part Number	Qty	Description
BA36R-SD	3	RH ULTRASCSCI SHELF PED SINGLE
BA610-4D	2	ES40 Disk Drive Cage, 4Bay
BA61P-PB	1	ES40 Pedestal Enclosure 240V Europe
BN19C-2E	3	PowerCable 240V, C-Europe
BN37A-02	3	Ultra Cbl VHDCI - VHDCI
BN39C-02	1	1.8 Video Extension Cable ****
CK-BA35X-HH	3	180W Stor.Shelf PWR for AS4x00
DJ-62AAA-CA	1	ES40 6/500 Model 1 512MB LinuxReady 6PCI
DS-RZ1DF-VW	18	9.1GB 7200 UltraSCSI 16bit
DS-RZ2DD-16	4	ES40 Disk 9.1GB 10k Ultra2 SCSI
DS-RZ2ED-16	4	ES40 Disk 18GB 10k Ultra2 SCSI
H7906-A9	2	ES40 Power Syply, 2nd or 3rd
KN610-AA	1	ES40 6/500MHz SMP
KZPBA-CA	1	PCI to UltraSCSI Adapter UWSE
KZPCM-DA	1	Dual Uscsi with FastEther PCI
MS610-CA	1	ES40 512MB Memory Option
SN-LKQ47-AF	1	102 KEY KYBD, NON-WIN, Finnish
SN-PBXGB-AA	1	PowerStorm 3D3D graphics
SN-VRQV5-24	1	COMPAQ V55 CLR MON,NH,TCO95

Bill of Material for Mini-Tower

Part Number	Qty	Description
BA610-4D	2	ES40 Disk Drive Cage, 4Bay
BA61M-MT	1	ES40 Mini-Tower Enclosure
BN19C-2E	3	PowerCable 240V, C-Europe
BN39C-02	1	1.8 Video Extension Cable ****
DE500-BA	1	PCI/FAST Ethernet, CAT 5 UTP
DJ-62AAA-CA	1	ES40 6/500 Model 1 512MB LinuxReady 6PCI
DS-RZ2DD-16	4	ES40 Disk 9.1GB 10k Ultra2 SCSI
DS-RZ2ED-16	4	ES40 Disk 18GB 10k Ultra2 SCSI
H7906-A9	1	ES40 Power Syply, 2nd or 3rd
MS610-CA	1	ES40 512MB Memory Option
SN-LKQ47-AF	1	102 KEY KYBD, NON-WIN, Finnish
SN-PBXGB-AA	1	PowerStorm 3D3D graphics
SN-VRQV5-24	1	COMPAQ V55 CLR MON,NH,TCO95

This template is included in the present GOLDEN EGGS Software kit.

ES40 Linux

COMPAQ	02-Jun-1999	GTALES401
	www.digital.com/golden-eggs	

AlphaServer ES40 Linux systems
GOLDEN EGGS Visual Configurations, Helsinki

AlphaServer GS60 6/525 Systems

Expanded Base Server Systems

DA-383GG-A9 Digital UNIX 4GB

DY-383GG-A9 OpenVMS 4GB

Additional Dual CPU modules

762P2-AX UNIX 2-cpu
762P1-AX OVMS 2-cpu

Memory modules

MS7CC-EA 1GB
MS7CC-FA 2GB
MS7CC-GA 4GB

Power options

H7266-AD/AE
Redundant power:120/240V

H7267-AA
Battery backup

BN20P-4E
Power cord 240V

Disk drives

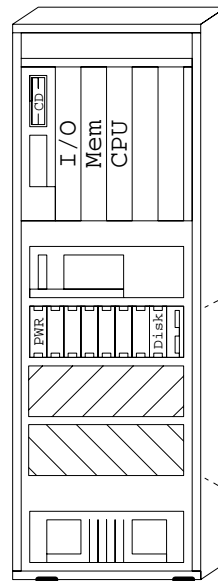
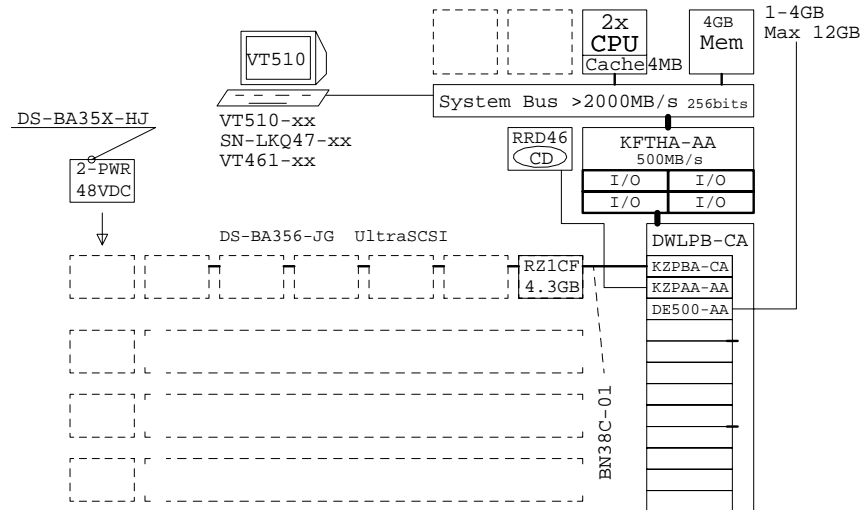
DS-RZ1CF-VW 4.3GB UltraSCSI disk
DS-RZ1DF-VW 9.0GB UltraSCSI disk
DS-RZ1EF-VW 18GB UltraSCSI disk

PCI options

DE500-AA Fast Ethernet 10/100
DE450-CA Ethernet, thin/thic/twis
DEFPA-AB FDDI adapter, SAS MMF
DEFPA-DB FDDI adapter, DAS MMF
DEFPA-UB FDDI adapter, SAS TP-PMD
PBXNP-AA Token ring adapter
CIPCA-BA CI controller
KZPSA-BB SCSI FWD controller
KZPBA-CA UltraSCSI SE controller
KZPBA-CB UltraSCSI Dif controller

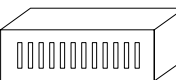
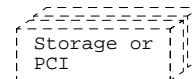
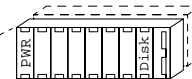
DIGITAL UNIX or
OpenVMS
525MHz EV6

AlphaServer GS60



AlphaServer GS60

DS-BA356-JG Single ch
DS-BA356-JH Dual ch



DWLPA-CA PCI

Licenses included:

- DIGITAL UNIX V4.0e, Base license, Unlimited User license, Server Extension license, and Internet Access Software license and Netscape's Enterprise Server 3.0.
- OpenVMS V7.1-2, Base license and DIGITAL Enterprise Integration Package.

@525MHz
SPECint95 30
SPECfp95 50
SPECweb96 14000
TPC 37540@\$79

Software Processor Code: Q

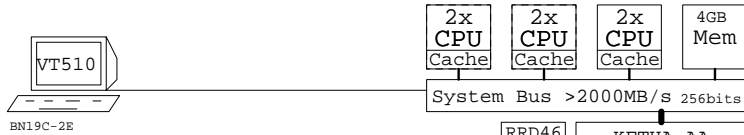
COMPAQ	02-Jan-1999	GEAGS601
http://www.digital.com/golden-eggs		

AlphaServer GS60 6/525 Systems
GOLDEN EGGS Visual Configurations, Helsinki

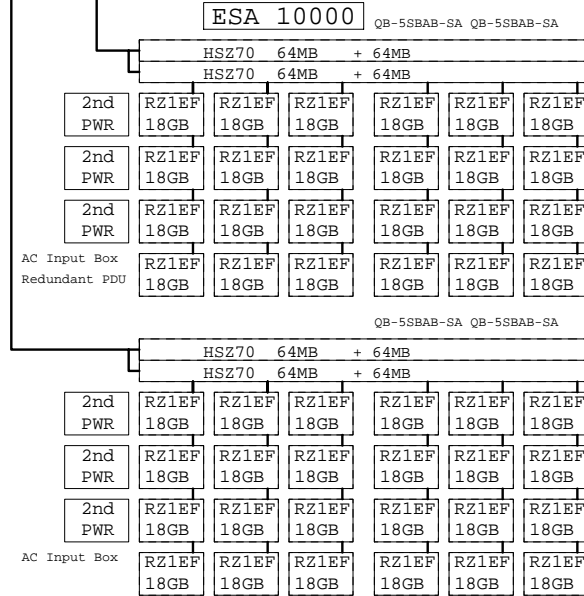
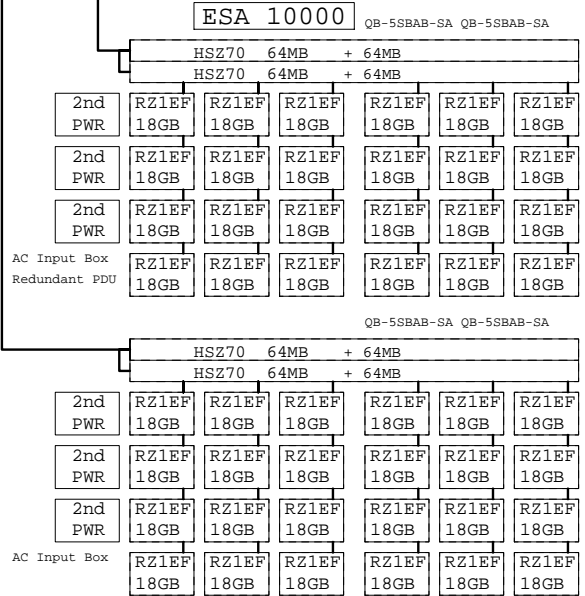
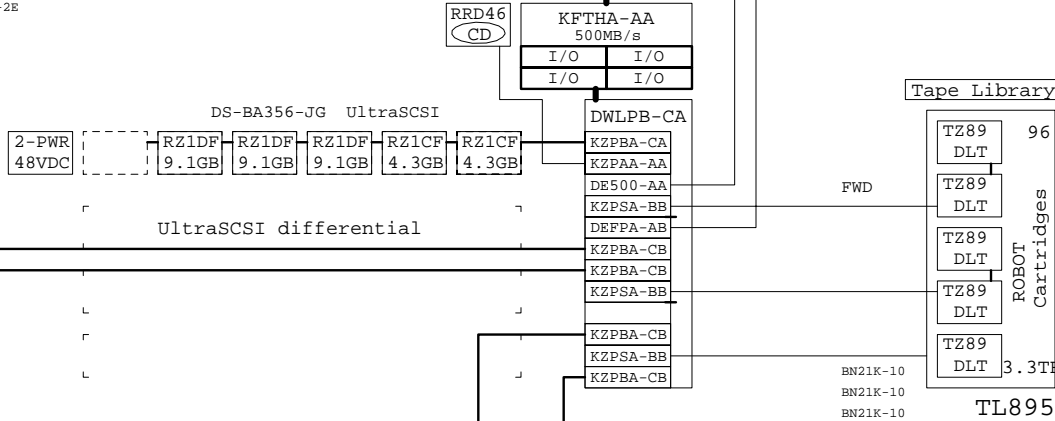
Ethernet
FDDI

AlphaServer GS60 Digital UNIX system

DIGITAL UNIX AlphaServer GS60
525MHz EV6



- QA-054AA-H8 SW LP PKG U/A CDRM/D
- QA-MT4AA-GZ Dig UNIX Alpha DOC Full
- QA-MT4AA-H8 Dig UNIX Alpha CDRM
- QL-MTKAE-AA Dn-Plus EF U/A TRAD



Bill of Material, BOM

Code	Quant.	Description
762P2-AX	2	ASRV GS60/140 SMP Module UNIX
BN19C-2E	1	PowerCable 240V, C-Europe
BN21K-10	3	68HD SCSI cable 10m
DA-383GG-A9	1	AlphaServer GS60 UNIX 4GB Sys
DEFPA-AB	1	PCI to FDDI SAS
DS-BA35X-HE	4	AC INPUT BOX BA370
DS-BA35X-HH	12	180W power supply Blu SBB
DS-BA35X-HJ	1	48VDC 180W Power Supply Blue
DS-HSSIM-AB	8	64MB Cache Upg for HSZ70
DS-RZ1CF-VW	1	4,3GB 7200 UltraSCSI Disk
DS-RZ1DF-VW	3	9.1GB 7200 UltraSCSI 16bit
DS-RZ1EF-VW	96	18.2GB 7200 UltraSCSI Disk
DS-SW6XP-AB	2	PDU REDUNDANT FOR SW600 50Hz
DS-SWXES-BB	2	ESA HIGH BW BUILDING BLK 50HZ
DS-TL895-BA	1	96 Slot Tape Lib w/5 TZ89 DR
KZPBA-CB	4	PCI to UltraSCSI Adapter Uwdif
KZPSA-BB	3	PCI-HOST FWD Bus Adapter
QA-054AA-H8	1	SW LP PKG U/A CDRM/DOC
QA-MT4AA-GZ	1	Dig UNIX Alpha DOC Full
QA-MT4AA-H8	1	Dig UNIX Alpha CDRM
QB-5SBAB-SA	8	HSZ70 SW UNIX Alp LIC/MCD/DOC
QL-MTKAE-AA	1	Dn-Plus EF U/A TRAD LIC
VT510-A4	1	Text Terminal WH Intl No-hemi

This configuration diagram is generated with fresh GOLDEN EGGS Software.
This template is included in the present GOLDEN EGGS Software kit.

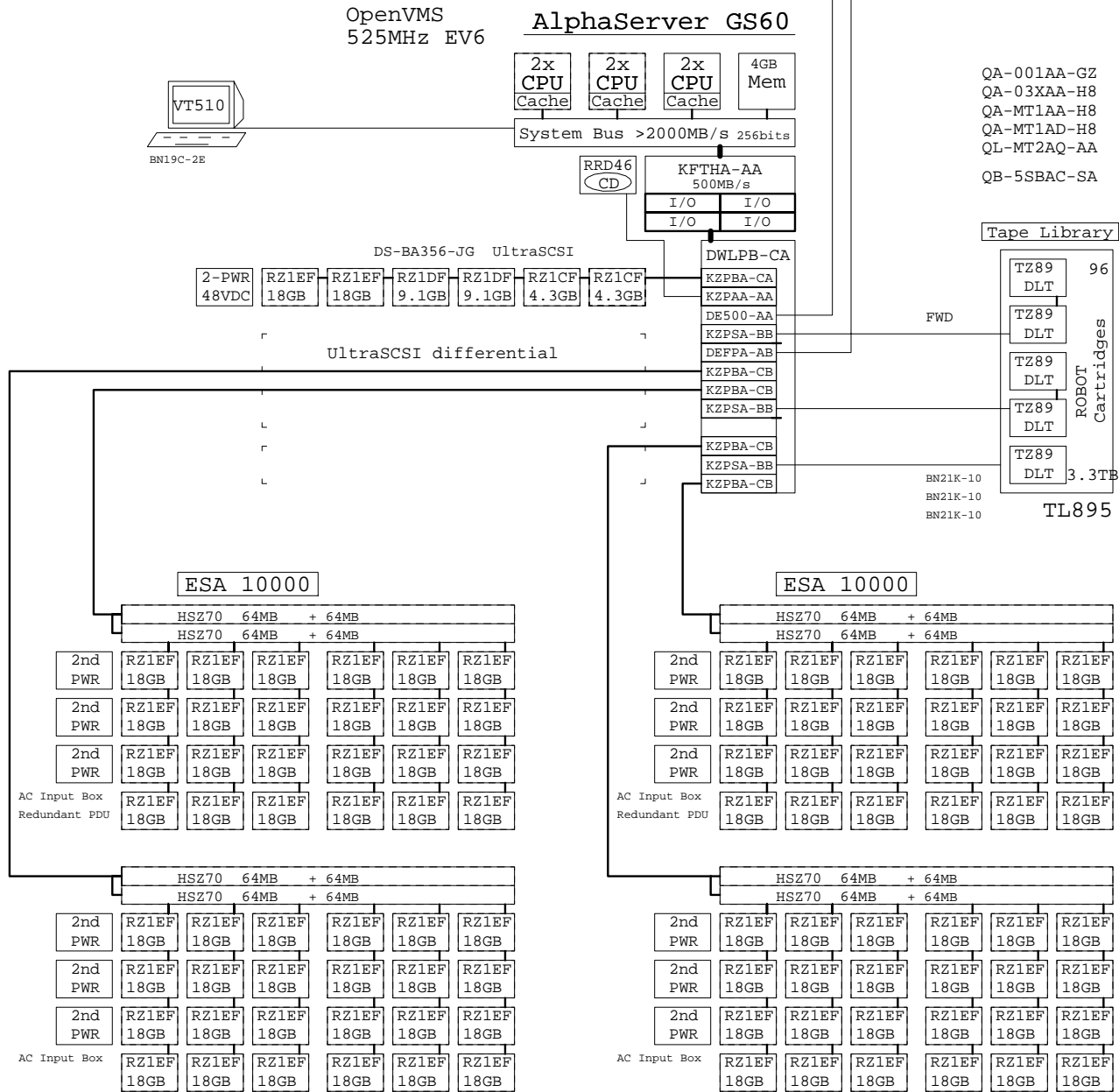
GS60

COMPAQ 02-Jan-1999 GTAUGS601
<http://www.digital.com/golden-eggs>

AlphaServer GS60 UNIX system
GOLDEN EGGS Visual Configurations, Helsinki

Ethernet
FDDI

AlphaServer GS60 OpenVMS system



- QA-001AA-GZ OVMS Full Documentat
- QA-03XAA-H8 SW LP PKG V/A DOC CD
- QA-MT1AA-H8 OVMS Alpha Bin+Onlin
- QA-MT1AD-H8 OVMS Alpha Base V7.1
- QL-MT2AQ-AA OpenVMS Alph Unl Lic
- QB-5SBAC-SA HSZ70 SW VMS LIC/MCC

Bill of Material, BOM

Code	Quant.	Description
762P1-AX	2	ASRV GS60/140 SMP Module OVMS
BN19C-2E	1	PowerCable 240V, C-Europe
BN21K-10	3	68HD SCSI cable 10m
DEFPA-AB	1	PCI to FDDI SAS
DS-BA35X-HE	4	AC INPUT BOX BA370
DS-BA35X-HH	12	180W power supply Blu SBB
DS-BA35X-HJ	1	48VDC 180W Power Supply Blue
DS-HSS1M-AB	8	64MB Cache Upg for HSZ70
DS-RZ1CF-VW	1	4,3GB 7200 UltraSCSI Disk
DS-RZ1DF-VW	2	9.1GB 7200 UltraSCSI 16bit
DS-RZ1EF-VW	98	18.2GB 7200 UltraSCSI Disk
DS-SW6XP-AB	2	PDU REDUNDANT FOR SW600 50Hz
DS-SWXES-BB	2	ESA HIGH BW BUILDING BLK 50HZ
DS-TL895-BA	1	96 Slot Tape Lib w/5 TZ89 DR
DY-383GG-A9	1	AlphaServer GS60 OVMS 4GB Sys
KZPBA-CB	4	PCI to UltraSCSI Adapter Uwdif
KZPSA-BB	3	PCI-HOST FWD Bus Adapter
QA-001AA-GZ	1	OVMS Full Documentation
QA-03XAA-H8	1	SW LP PKG V/A DOC CDROM
QA-MT1AA-H8	1	OVMS Alpha Bin+Onlin DOC CDROM
QA-MT1AD-H8	1	OVMS Alpha Base V7.1-1H2 CD
QB-5SBAC-SA	8	HSZ70 SW VMS LIC/MCD/DOC
QL-MT2AQ-AA	1	OpenVMS Alph Unl Lic
VT510-A4	1	Text Terminal WH Intl No-hemi

COMPAQ 02-Jan-1999 GTA VGS601
http://www.digital.com/golden-eggs

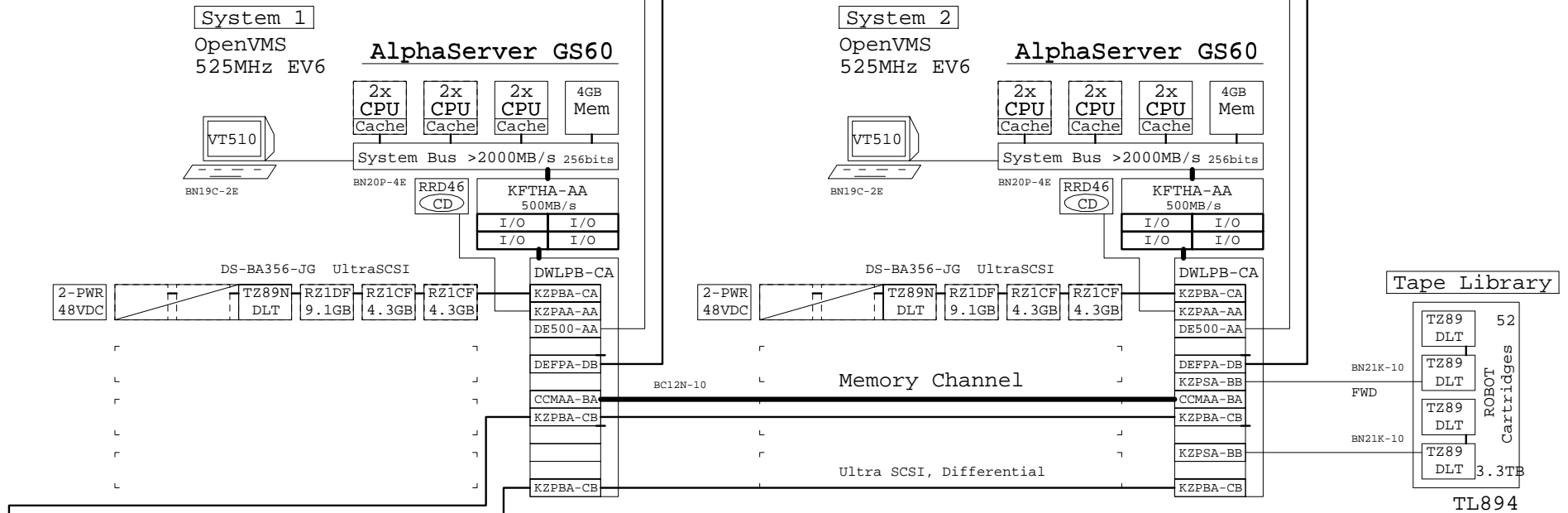
This configuration diagram is generated with fresh GOLDEN EGGS Software.
This template is included in the present GOLDEN EGGS Software kit.

GS60

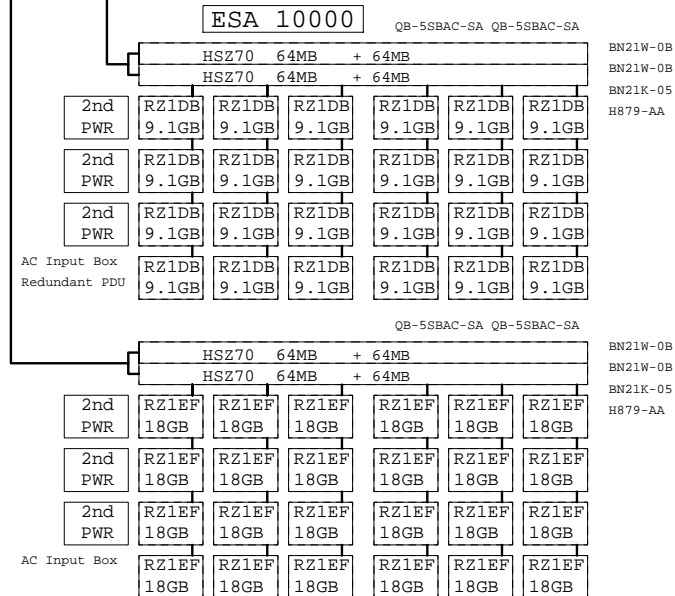
AlphaServer GS60 OpenVMS system
GOLDEN EGGS Visual Configurations, Helsinki

Ethernet
FDDI

AlphaServer GS60 OpenVMS Cluster



Bill of Material, BOM



Code	Quant.	Description
762P1-AX	4	ASRV GS60/140 SMP Module OVMS
BC12N-10	1	PCI-RM link cable 68HD MEM CHA
BN19C-2E	2	PowerCable 240V, C-Europe
BN20P-4E	2	European AC Plug
BN21K-05	2	68HD SCSI cable 5m
BN21K-10	2	68HD SCSI cable 10m
BN21W-0B	4	Y SCSI-2 Cable 68 pins/6".15m
CCMAA-BA	2	Memory Channel Adapter
DEFPA-DB	2	PCI to FDDI DAS
DS-BA35X-HE	2	AC INPUT BOX BA370
DS-BA35X-HH	6	180W power supply Blu SBB
DS-BA35X-HJ	2	48VDC 180W Power Supply Blue
DS-HSSIM-AB	4	64MB Cache Upg for HSZ70
DS-RZ1CF-VW	2	4,3GB 7200 UltraSCSI Disk
DS-RZ1DB-VW	24	9.1GB 7200 UltraSCSI Disk
DS-RZ1DF-VW	2	9.1GB 7200 UltraSCSI 16bit
DS-RZ1EF-VW	24	18.2GB 7200 UltraSCSI Disk
DS-SW6XP-AB	1	PDU REDUNDANT FOR SW600 50Hz
DS-SWXES-BB	1	ESA HIGH BW BUILDING BLK 50HZ
DS-TL894-BA	1	52 slot Tape Lib. 4xTZ89 FWD
DS-TZ89N-VW	2	35/70GB SE DLT-tape StorageWor
DY-383GG-A9	2	AlphaServer GS60 OVMS 4GB Sys
H879-AA	2	SCSI-3 Term - 68 pin Male
KZPBA-CB	4	PCI to UltraSCSI Adapter UWdif
KZPSA-BB	2	PCI-HOST FWD Bus Adapter
QB-5SBAC-SA	4	HSZ70 SW VMS LIC/MCD/DOC
VT510-A4	2	Text Terminal WH Intl No-hemi

COMPAQ	02-Jan-1999	GTAVGS602
	http://www.digital.com/golden-eggs	

This configuration diagram is generated with fresh GOLDEN EGGS Software.
This template is included in the present GOLDEN EGGS Software kit.

GS60

AlphaServer GS60 OpenVMS system
GOLDEN EGGS Visual Configurations, Helsinki

AlphaServer GS60 6/525 W-NT Systems

Expanded Base Server

DN-383GG-A9 Windows NT 4GB

SVGA color monitor and keyboard

15" SN-VRQV5-24/23	SN-LKQ97 -AE GB -AG G -AM S
17" SN-VRQP7-24/23	WNT -AB B -AH NL -AN N
North/South	-AD DK -AI I -AP F
BN39C-02 2m ext.cable	-AF FI -AK CH -AS E

Additional CPU modules

762P5-AX 525MHz 2-cpu

Memory modules

MS7CC-EA 1GB
MS7CC-FA 2GB
MS7CC-GA 4GB

Disk storage

DS-RZ1CF-VW 4.3GB UltraSCSI disk
DS-RZ1DF-VW 9.0GB UltraSCSI disk
DS-RZ1EF-VW 18GB UltraSCSI disk

KZPBA-CA UltraSCSI SE, 68HD
KZPBA-CB UltraSCSI Diff, 68HD
BN38C-02 2m SCSI cable, 68HD-VHDCI
KZPAC-CB RAID 3-port, 8MB cache
KZPSC-UB Cache battery
KZPAC-SB Dual cable bulkhead
BN31S-02 2m SCSI cbl 68HD-68HD

Tape storage

TZ88N-VA 20/40GB DLT tape drive

Communications

DE500-AA Fast Ethernet 10/100
DE450-CA Ethernet, thin/thic/twis
DEFFPA-AB FDDI adapter, SAS MMF
DEFFPA-DB FDDI adapter, DAS MMF
DEFFPA-UB FDDI adapter, SAS TP-PMD
DEFFPA-MB FDDI adapter, DAS TP-PMD

W-NT kit

QB-5YUAA-WB W-NT kit 4.0/English
1-8CPUs

H7266-AD/AE Redundant power 120/240V

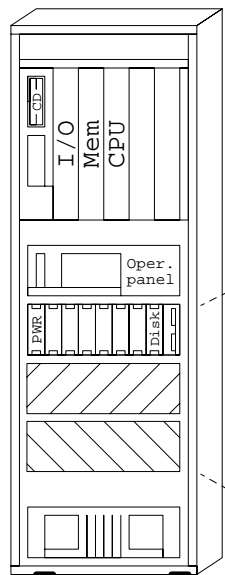
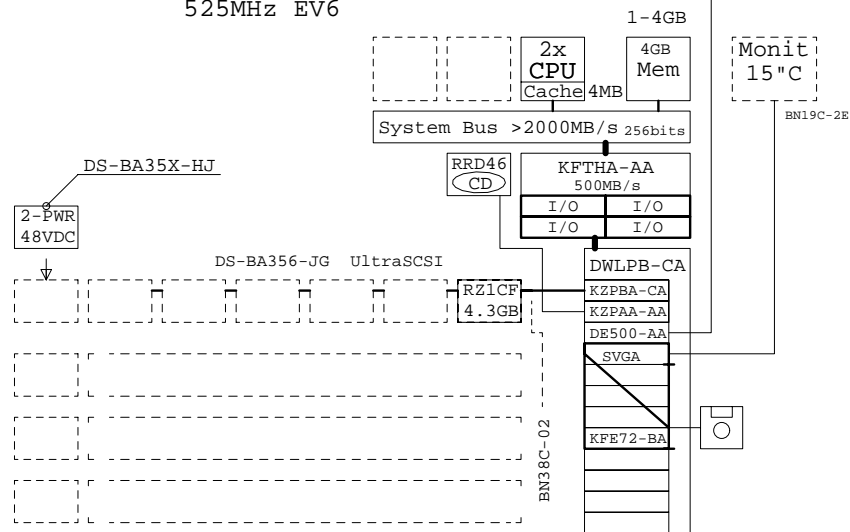
H7267-AA Battery backup

BN20P-4E Power cord 240V

This configuration is generated with fresh GOLDEN EGGS Software

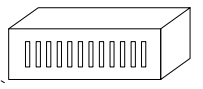
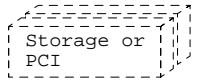
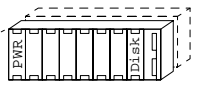
Windows NT
525MHz EV6

AlphaServer GS60



AlphaServer GS60

DS-BA356-JG Single channel
DS-BA356-JH Dual channel



DWLPB-CA PCI

Licenses included:

Microsoft Windows NT Server
4.0/Enterprise Edition

COMPAQ	07-Jan-1999	GEAGS602
	www.digital.com/golden-eggs	

NT
GS60

AlphaServer GS60 6/525 WNT Systems
GOLDEN EGGS Visual Configurations, Helsinki

Ethernet

AlphaServer GS60 6/525 Windows NT System

FDDI

Windows NT
525MHz EV6

AlphaServer GS60

BN19C-2E
SN-LKQ97-AF

Monit
15" C

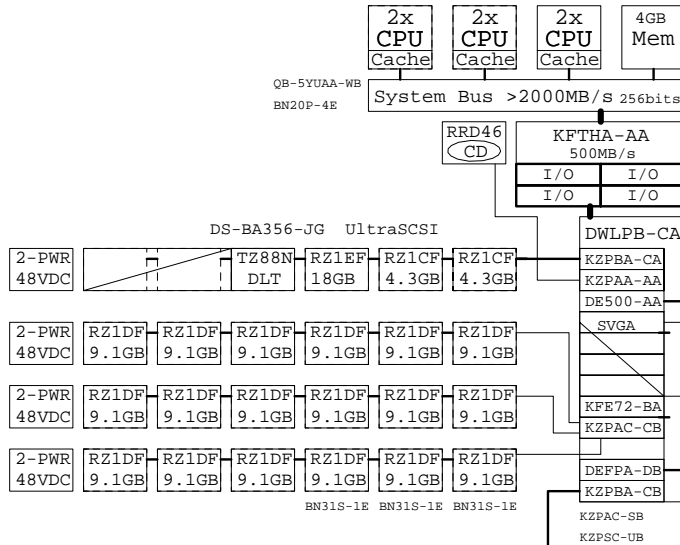
GOLDEN EGGS

Bill of Material

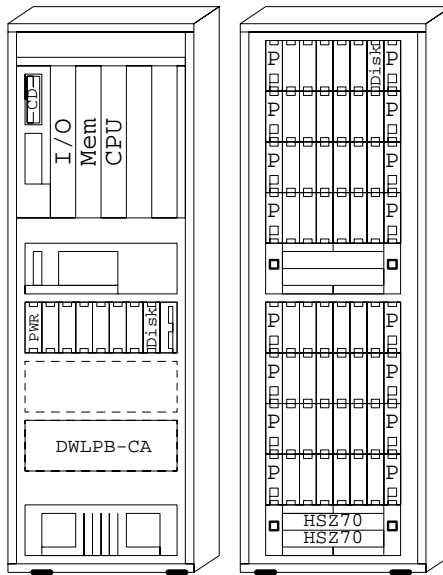
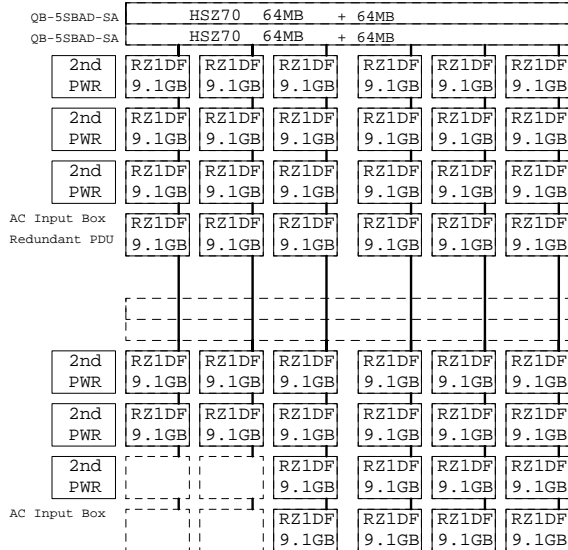
Drawing: p_GTANGS601

Date: 1999-01-07 17:36:11

Code	Quant.	Description
762P5-AX	2	ASRV GS60/140 SMP Module WNT
BN19C-2E	1	PowerCable 240V, C-Europe
BN20P-4E	1	European AC Plug
BN31S-1E	3	16 bit SCSI for KZPSC-BA356
DEFPA-DB	1	PCI to FDDI DAS
DN-383GG-A9	1	AlphaServer GS60 WNT 4GB SYS
DS-BA35X-HE	2	AC INPUT BOX BA370
DS-BA35X-HH	6	180W power supply Blu SBB
DS-BA35X-HJ	4	48VDC 180W Power Supply Blue
DS-BA356-JG	3	Ultra BA356 for Tlaser Sing Ch
DS-HSSIM-AB	2	64MB Cache Upg for HSZ70
DS-RZ1CF-VW	1	4.3GB 7200 UltraSCSI Disk
DS-RZ1DF-VW	62	9.1GB 7200 UltraSCSI 16bit
DS-RZ1EF-VW	1	18.2GB 7200 UltraSCSI Disk
DS-SW6XP-AB	1	PDU REDUNDANT FOR SW600 50Hz
DS-SWXES-AB	1	ESA GEN BUS BUILDING BLK 50HZ
KZPAC-CB	1	3 Chan. SCSI RAID 8MB UltraW
KZPAC-SB	1	Dual bulk head
KZPBA-CB	1	PCI to UltraSCSI Adapter UWDif
KZPSC-UB	1	Battery Backup for KZPSC
QB-5SBAD-SA	2	HSZ70 SW NTA LIC/MCD
QB-5YUAA-WB	1	WNT SV ENT1-8 LIC/MCD English
SN-LKQ97-AF	1	102 KEY KYBD, WIN, Finnish
SN-VRQV5-24	1	COMPAQ V55 CLR MON,NH,TC095
TZ88N-VA	1	20/40GB SE DLT-tape StorageWor



ESA 10000



This configuration diagram is generated with fresh GOLDEN EGGS Software.
This template is included in the present GOLDEN EGGS Software kit.

NT
GS60

COMPAQ	07-Jan-1999	GTANGS601
	www.digital.com/golden-eggs	
AlphaServer GS60 WNT System		
GOLDEN EGGS Visual Configurations, Helsinki		

AlphaServer GS60E 6/525 Systems

Tru64 UNIX or
OpenVMS
525MHz EV6

AlphaServer GS60E

BN25G-07

Expanded Base Servers

DA-483GE-AA/AB	Tru64 UNIX	1GB
DA-483GG-AA/AB	Tru64 UNIX	4GB
DY-483GE-AA/AB	OpenVMS	1GB
DY-483GG-AA/AB	OpenVMS	4GB

120/240V

Additional Dual CPU modules

762P2-AX	UNIX 2-cpu
762P1-AX	OVMS 2-cpu



Memory modules

MS7CC-EA	1GB
MS7CC-FA	2GB
MS7CC-GA	4GB

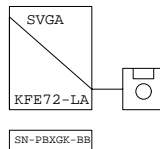


Disk drives

DS-RZ1DD-VW	9.1GB UltraSCSI disk	10k
DS-RZ1ED-VW	18 GB UltraSCSI disk	10K
DS-RZ1FB-VW	36 GB UltraSCSI disk	10k

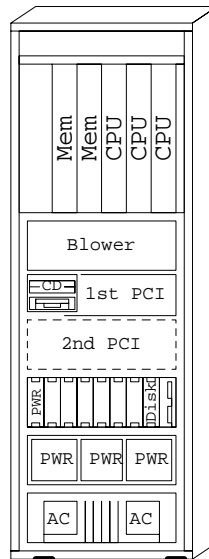
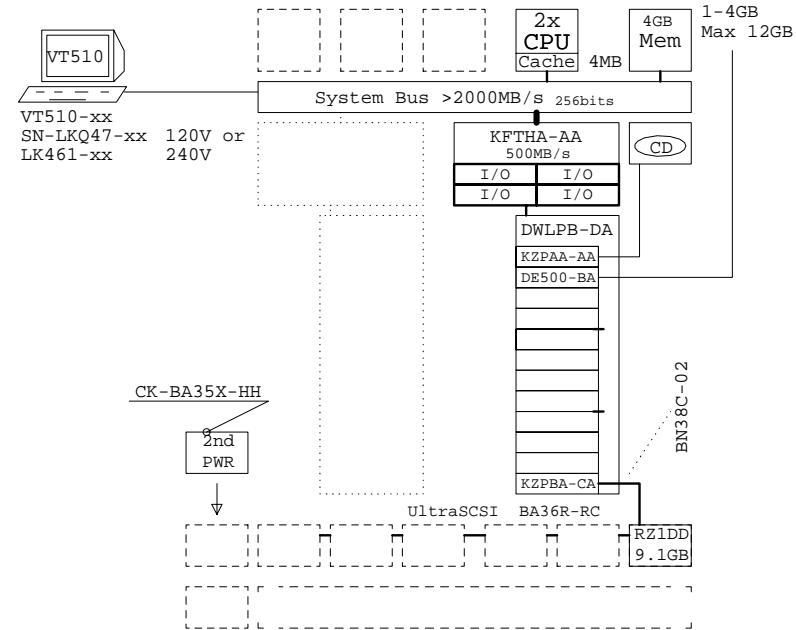
Graphics console

3X-KFE72-LA
SN-PBXGK-BB



PCI options

DE500-AA	Fast Ethernet 10/100
DE450-CA	Ethernet, thin/thic/twis
DEFPA-AB	FDDI adapter, SAS MMF
DEFPA-DB	FDDI adapter, DAS MMF
DEFPA-UB	FDDI adapter, SAS TP-PMD
CIPCA-BA	CI controller
KZPBA-CA	UltraSCSI SE controller
KZPBA-CB	UltraSCSI Dif controller

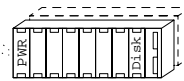
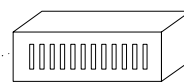


AlphaServer GS60E

7 Slots total

CPU 1-3 Min/Max
Mem 1-3
I/O 1-3

DWLPB-DA PCI



BA36R-RC Single ch
BA36R-RD Dual ch

Licenses included:

- DIGITAL UNIX V4.0E, Base license, Unlimited User license, Server Extension license, and Internet Access Software license and Netscape's Enterprise Server 3.0.
- OpenVMS V7.1-2, Base license and DIGITAL Enterprise Integration Package.

	@525MHz
SPECint95	30
SPECfp95	50
SPECweb96	14000
TPC	37540@\$79

Software Processor Code: G

COMPAQ	19-Aug-1999	GEAGS60E1
	www.digital.com/golden-eggs	

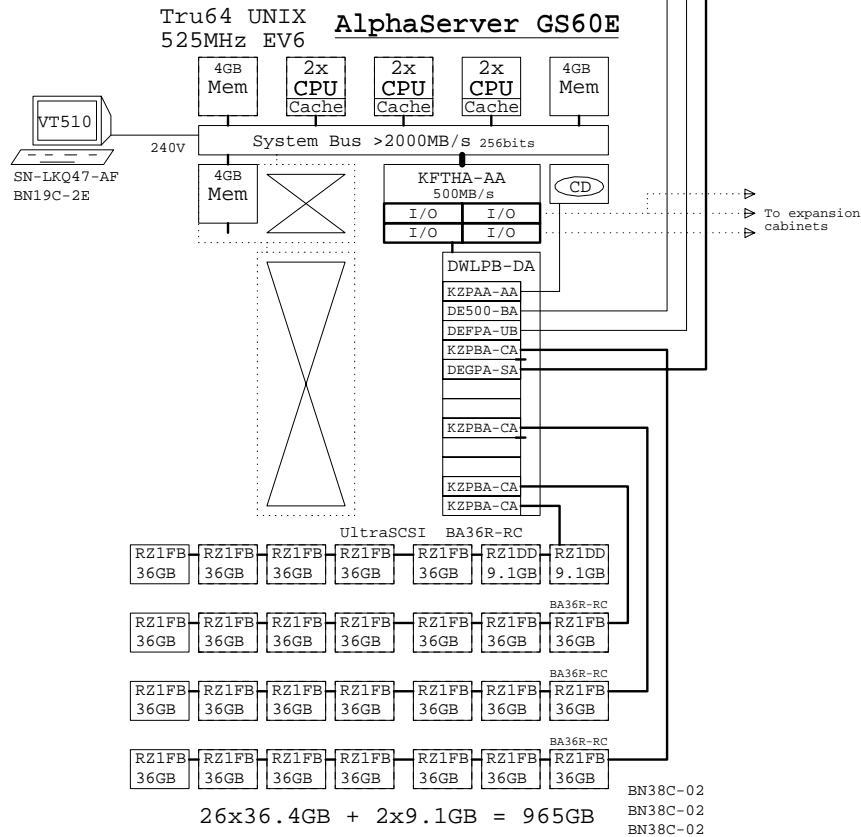
AlphaServer GS60E 6/525 Systems
GOLDEN EGGS Visual Configurations, Helsinki

AlphaServer GS60E Tru64 UNIX systems

Ethernet

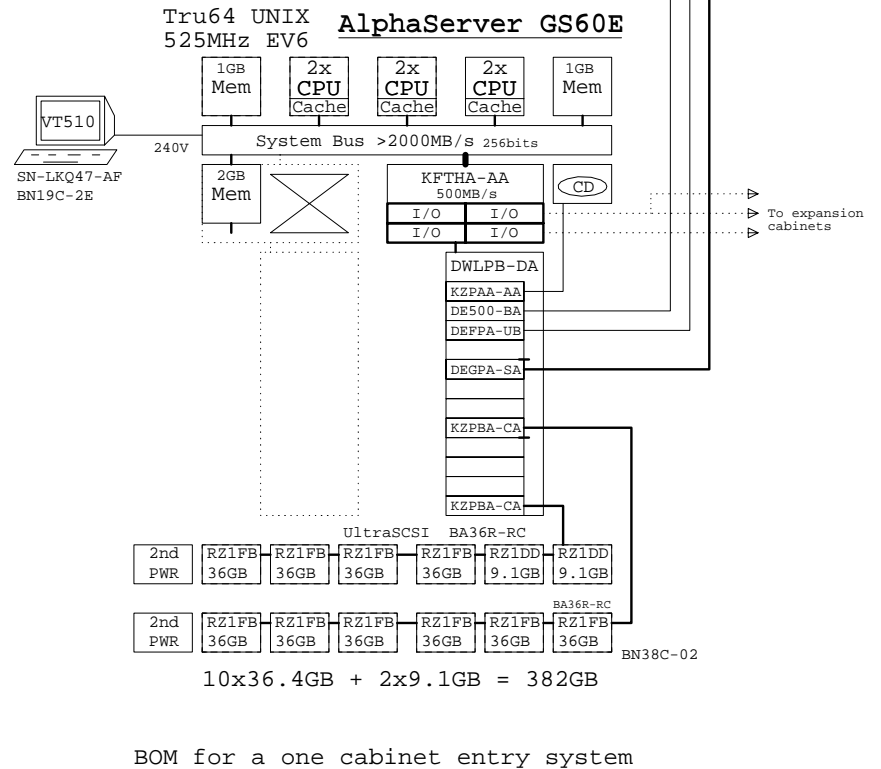
FDDI

GigaBitEthernet



BOM for a one cabinet max system

Part Number	Qty	Description
762P2-AX	2	ASRV GS60/140 SMP Module UNIX
BA36R-RC	3	RH ULTRASCSCI SHELF CAB SINGLE
BN19C-2E	1	PowerCable 240V, C-Europe
BN38C-02	3	Ultra Cbl VHDCI - 68HD
DA-483GG-AB	1	AlphaServer GS60E UNIX 4GB Sys 240V
DEFPA-UB	1	PCI to FDDI SAS,TP-PMD
DEGPA-SA	1	PCI to GigaBitEthernet SX Adap
DS-RZ1DD-VW	1	9.1GB 10000r UltraSCSI disk
DS-RZ1FB-VW	26	36GB 7200 UltraSCSI Disk
KZPBA-CA	3	PCI to UltraSCSI Adapter UWSE
MS7CC-EA	2	4GB AlphaServer 8xxx Memory
SN-LKQ47-AF	1	102 KEY KYBD, NON-WIN, Finnish
VT510-A4	1	Text Terminal WH Intl No-hemi



BOM for a one cabinet entry system

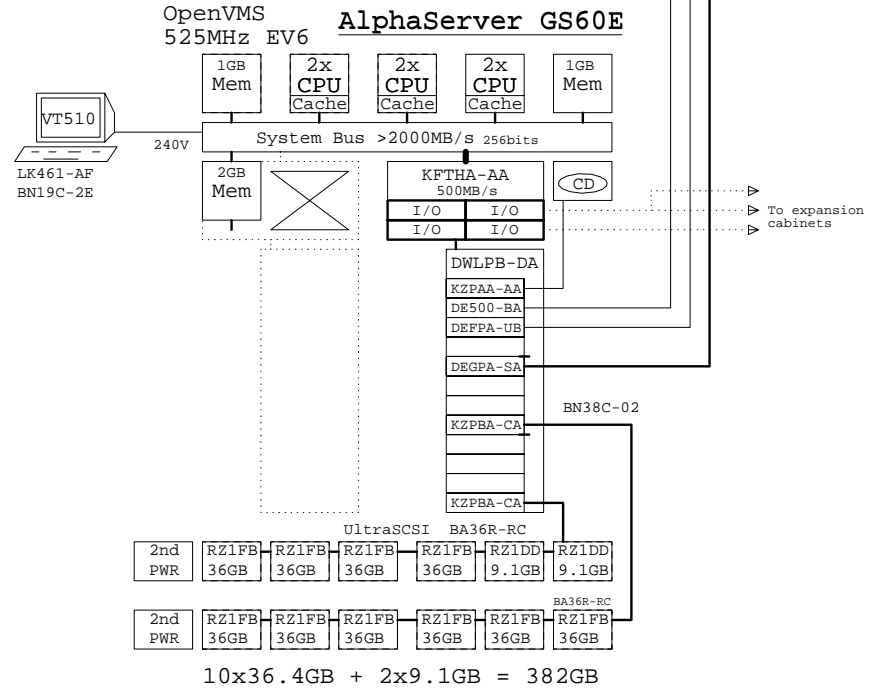
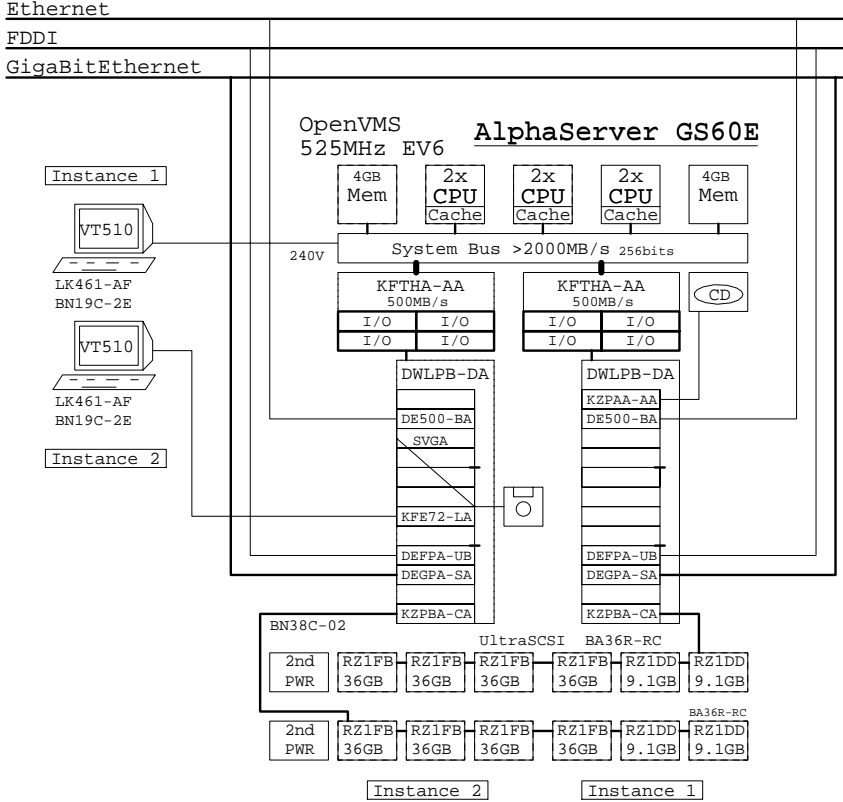
Part Number	Qty	Description
762P2-AX	2	ASRV GS60/140 SMP Module UNIX
BA36R-RC	1	RH ULTRASCSCI SHELF CAB SINGLE
BN19C-2E	1	PowerCable 240V, C-Europe
BN38C-02	1	Ultra Cbl VHDCI - 68HD
CK-BA35X-HH	2	180W Stor.Shelf PWR for AS4x00
DA-483GE-AB	1	AlphaServer GS60E UNIX 1GB Sys 240V
DEFPA-UB	1	PCI to FDDI SAS,TP-PMD
DEGPA-SA	1	PCI to GigaBitEthernet SX Adap
DS-RZ1DD-VW	1	9.1GB 10000r UltraSCSI disk
DS-RZ1FB-VW	10	36GB 7200 UltraSCSI Disk
KZPBA-CA	1	PCI to UltraSCSI Adapter UWSE
MS7CC-EA	1	1GB AlphaServer 8xxx Memory
MS7CC-FA	1	2GB AlphaServer 8xxx Memory
SN-LKQ47-AF	1	102 KEY KYBD, NON-WIN, Finnish
VT510-A4	1	Text Terminal WH Intl No-hemi

COMPAQ 19-Aug-1999 GTAUGS60E1
www.digital.com/golden-eggs

AlphaServer GS60E UNIX systems
GOLDEN EGGS Visual Configurations, Helsinki

AlphaServer GS60E OpenVMS Galaxy

AlphaServer GS60E OpenVMS system



BOM for a one cabinet entry Galaxy

Part Number	Qty	Description
3X-KFE72-LA	1	GS60E Graphic Console Subsystem
762P2-AX	2	ASRV GS60/140 SMP Module UNIX
BA36R-RC	1	RH ULTRASCSI SHELF CAB SINGLE
BN19C-2E	2	PowerCable 240V, C-Europe
BN38C-02	1	Ultra Cbl VHDCI - 68HD
CK-BA35X-HH	2	180W Stor.Shelf PWR for AS4x00
DE500-BA	1	PCI/FAST Ethernet, CAT 5 UTP
DEFPA-UB	2	PCI to FDDI SAS,TP-PMD
DEGPA-SA	2	PCI to GigaBitEthernet SX Adap
DS-RZ1DD-VW	3	9.1GB 10000r UltraSCSI disk
DS-RZ1FB-VW	8	36GB 7200 UltraSCSI Disk
DWLPB-DA	1	PCI PIU for GS60E Sys and Exp.Cab
DY-483GG-AB	1	AlphaServer GS60E OVMS 4GB Sys 240V
KFTHA-AA	1	Sys I/O Module w/4 I/O Chanls
KZPBA-CA	1	PCI to UltraSCSI Adapter UWSE
LK461-AF	2	VMS STYLE KEYBOARD, Fin/Swed
MS7CC-GA	1	4GB AlphaServer 8xxx Memory
VT510-A4	2	Text Terminal WH Intl No-hemi

BOM for a one cabinet entry system

Part Number	Qty	Description
762P1-AX	2	ASRV GS60/140 SMP Module OVMS
BA36R-RC	1	RH ULTRASCSI SHELF CAB SINGLE
BN19C-2E	1	PowerCable 240V, C-Europe
BN38C-02	1	Ultra Cbl VHDCI - 68HD
CK-BA35X-HH	2	180W Stor.Shelf PWR for AS4x00
DEFPA-UB	1	PCI to FDDI SAS,TP-PMD
DEGPA-SA	1	PCI to GigaBitEthernet SX Adap
DS-RZ1DD-VW	1	9.1GB 10000r UltraSCSI disk
DS-RZ1FB-VW	10	36GB 7200 UltraSCSI Disk
DY-483GE-AB	1	AlphaServer GS60E OVMS 1GB Sys 240V
KZPBA-CA	1	PCI to UltraSCSI Adapter UWSE
LK461-AF	1	VMS STYLE KEYBOARD, Fin/Swed
MS7CC-EA	1	1GB AlphaServer 8xxx Memory
MS7CC-FA	1	2GB AlphaServer 8xxx Memory
VT510-A4	1	Text Terminal WH Intl No-hemi



19-Aug-1999 GTAVGS60E1
www.digital.com/golden-eggs

AlphaServer GS60E OpenVMS systems
GOLDEN EGGS Visual Configurations, Helsinki

AlphaServer GS140 6/525 Systems

Expanded Base Server Systems

DA-393GG-AA/AB Digital UNIX 4GB

DY-393GG-AA/AB OpenVMS 4GB
208/416V

Memory modules Additional CPU modules

MS7CC-EA	1GB	762P2-AX	UNIX 2-cpu
MS7CC-FA	2GB	762P1-AX	OVMS 2-cpu
MS7CC-GA	4GB		

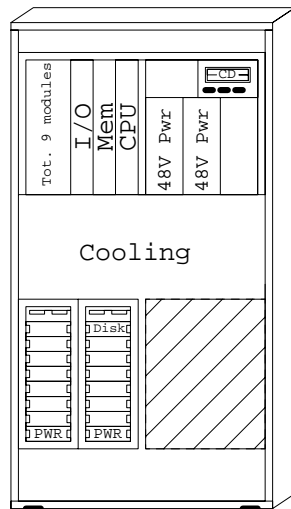
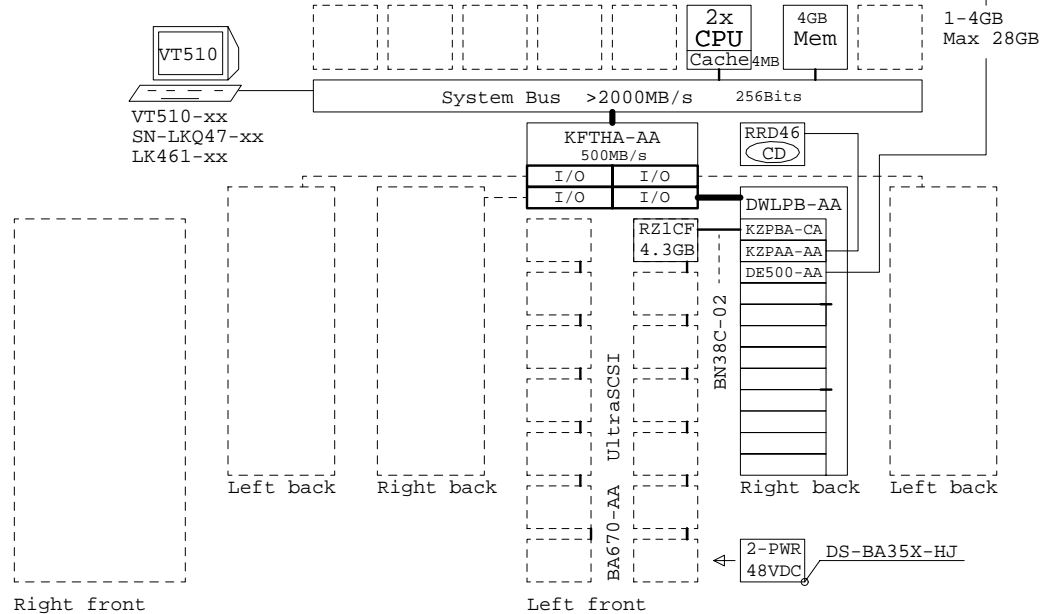
More options

DS-RZ1CF-VW	4.3GB	UltraSCSI disk
DS-RZ1DF-VW	9.0GB	UltraSCSI disk
DS-RZ1EF-VW	18GB	UltraSCSI disk

DE500-AA	Fast Ethernet 10/100
DE450-CA	Ethernet, thin/thic/twis
DEFPA-AB	FDDI adapter, SAS MMF
DEFPA-DB	FDDI adapter, DAS MMF
DEFPA-UB	FDDI adapter, SAS TP-PMD
PBXNP-AA	Token ring adapter
CIPCA-BA	CI controller
KZPSA-BB	SCSI FWD controller
KZPBA-CA	UltraSCSI SE controller
KZPBA-CB	UltraSCSI Dif controller

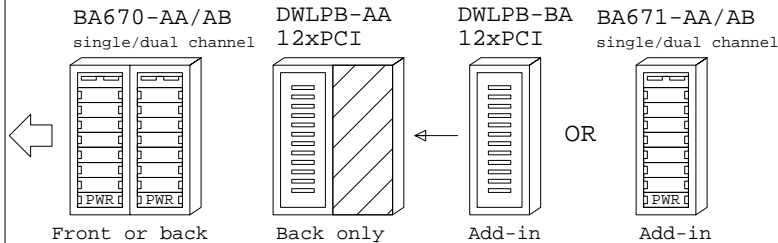
Expanded Base Server

DIGITAL UNIX or
OpenVMS
525MHz EV6 **AlphaServer GS140**



AlphaServer GS140

H7263-AA/AB
Power supply 206/418V



Licenses included:

- DIGITAL UNIX V4.0e, Base license, Unlimited User license, Server Extension license, and Internet Access Software license and Netscape's Enterprise Server 3.0.
- OpenVMS V7.1-2, Base license and DIGITAL Enterprise Integration Package.

	@525MHz
SPECint95	30
SPECfp95	50
SPECweb96	14000
TPC	37540@\$79

Software Processor Code: Q

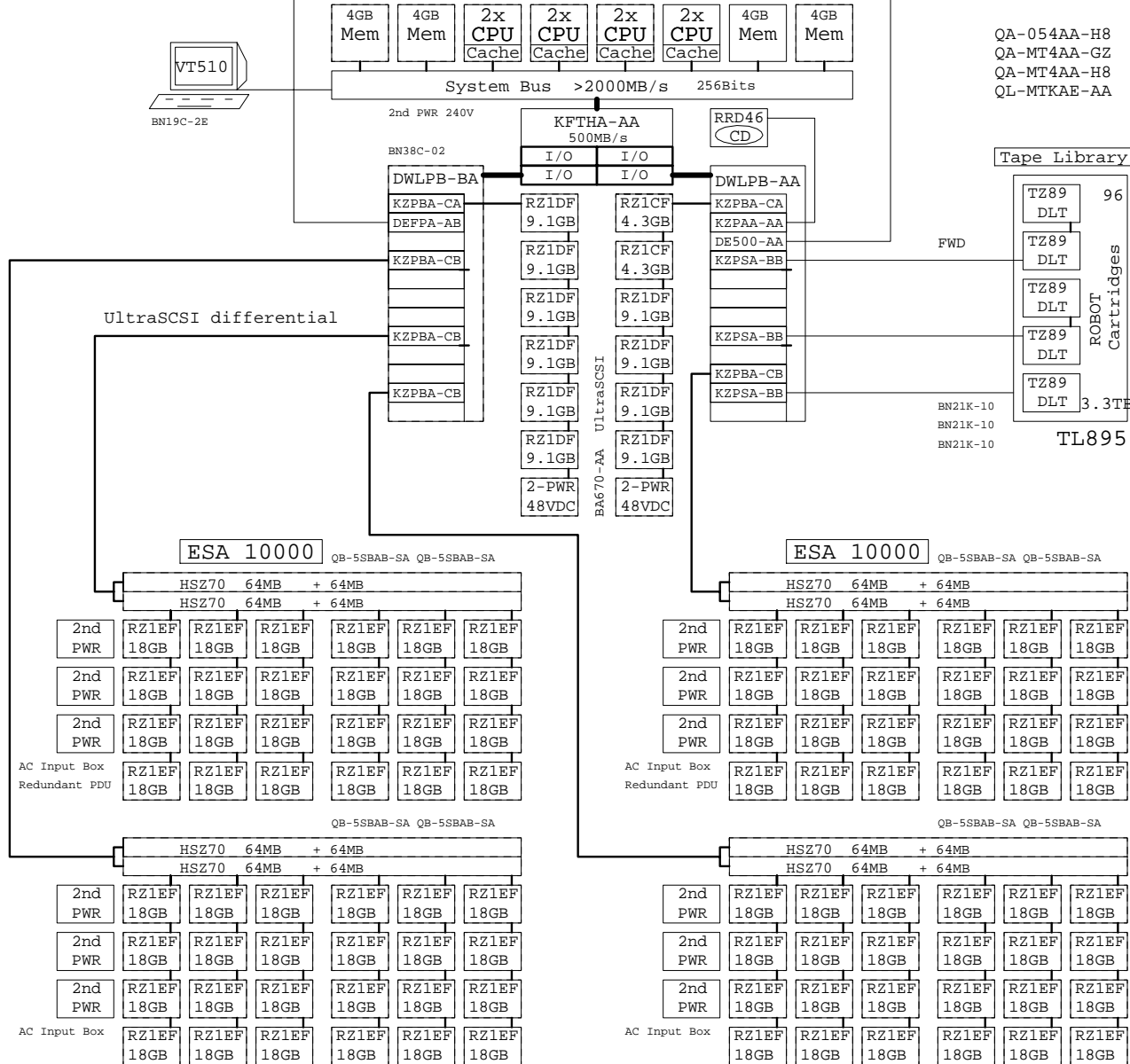
COMPAQ	02-Jan-1999	GEAGS1401
http://www.digital.com/golden-eggs		

AlphaServer GS140 6/525 Systems
GOLDEN EGGS Visual Configurations, Helsinki

Ethernet
FDDI

AlphaServer GS140 Digital UNIX system

DIGITAL UNIX AlphaServer GS140
525MHz EV6



QA-054AA-H8 SW LP PKG U/A CDRM/D
QA-MT4AA-GZ Dig UNIX Alpha DOC F
QA-MT4AA-H8 Dig UNIX Alpha CDROM
QL-MTKAE-AA Dn-Plus EF U/A TRAD

Bill of Material, BOM

Code	Quant.	Description
762P2-AX	3	ASRV GS60/140 SMP Module UNIX
BN19C-2E	1	PowerCable 240V, C-Europe
BN21K-10	3	68HD SCSI cable 10m
BN38C-02	1	Ultra Cbl VHDCI - 68HD
DA-393GG-AB	1	AlphaServer GS140 UNIX 4GB EU
DEFPA-AB	1	PCI to FDDI SAS
DS-BA35X-HE	4	AC INPUT BOX BA370
DS-BA35X-HH	12	180W power supply Blu SBB
DS-BA35X-HJ	2	48VDC 180W Power Supply Blue
DS-HSSIM-AB	8	64MB Cache Upg for HSZ70
DS-RZ1CF-VW	1	4,3GB 7200 UltraSCSI Disk
DS-RZ1DF-VW	10	9.1GB 7200 UltraSCSI 16bit
DS-RZ1EF-VW	96	18.2GB 7200 UltraSCSI Disk
DS-SW6XP-AB	2	PDU REDUNDANT FOR SW600 50Hz
DS-SWXES-BB	2	ESA HIGH BW BUILDING BLK 50HZ
DS-TL895-BA	1	96 Slot Tape Lib w/5 TZ89 DR
DWLPB-BA	1	2nd 12 Slot PCI for DWLPB-AA
H7263-AB	1	48Volt Power Regulator Option
KZPBA-CA	1	PCI to UltraSCSI Adapter UWSE
KZPBA-CB	4	PCI to UltraSCSI Adapter UWdif
KZPSA-BB	3	PCI-HOST FWD Bus Adapter
MS7CC-GA	3	4GB AlphaServer 8xxx Memory
QA-054AA-H8	1	SW LP PKG U/A CDRM/DOC
QA-MT4AA-GZ	1	Dig UNIX Alpha DOC Full
QA-MT4AA-H8	1	Dig UNIX Alpha CDROM
QB-5SBAB-SA	8	HSZ70 SW UNIX Alp LIC/MCD/DOC
QL-MTKAE-AA	1	Dn-Plus EF U/A TRAD LIC
VT510-A4	1	Text Terminal WH Intl No-hemi

COMPAQ 02-Jan-1999 GTAUGS1402
<http://www.digital.com/golden-eggs>

This configuration diagram is generated with fresh GOLDEN EGGS Software.
This template is included in the present GOLDEN EGGS Software kit.

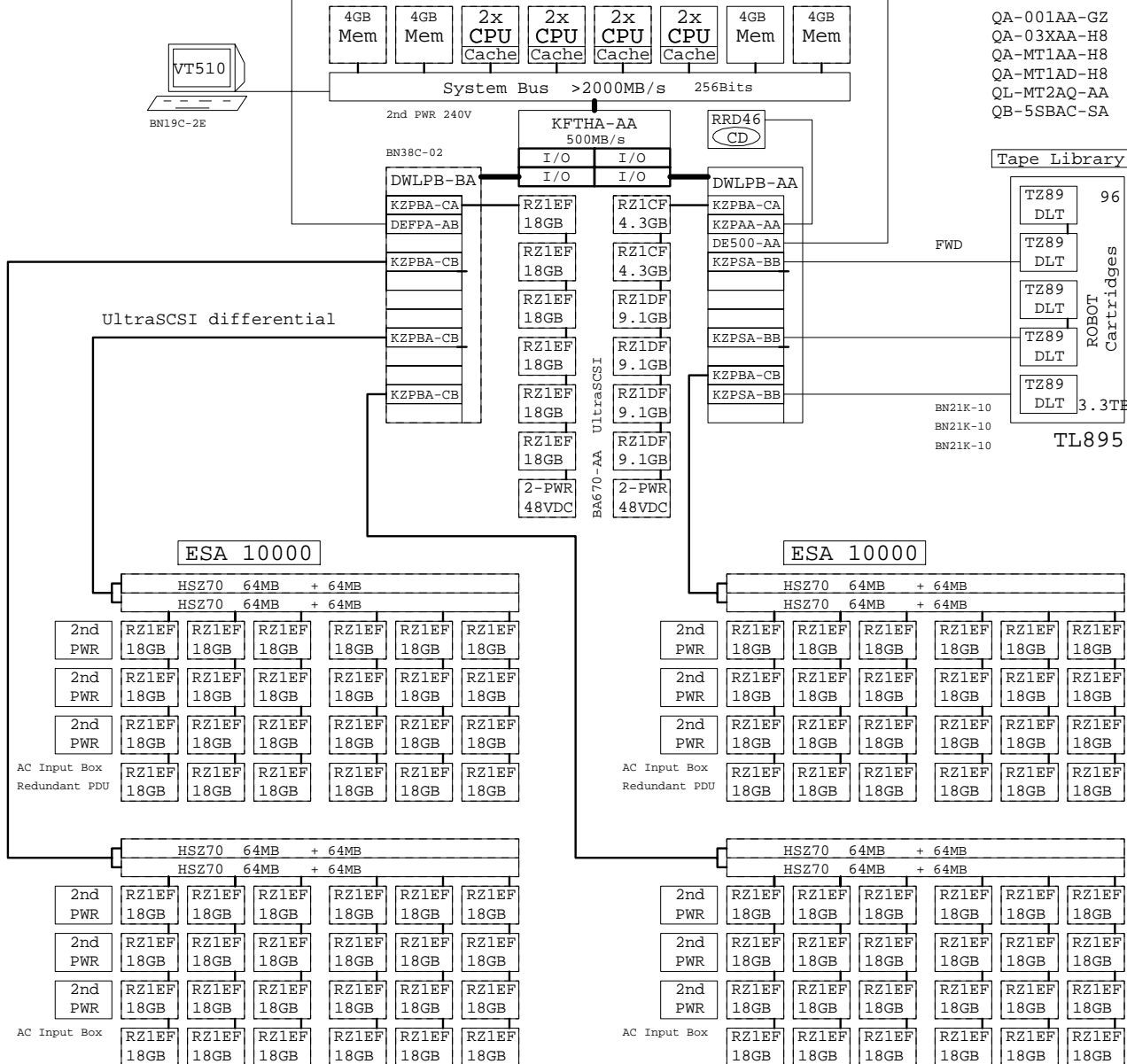
GS140

AlphaServer GS140 UNIX system
GOLDEN EGGS Visual Configurations, Helsinki

Ethernet
FDDI

AlphaServer GS140 OpenVMS system

OpenVMS
525MHz EV6 AlphaServer GS140



- QA-001AA-GZ OVMS Full Documentat
- QA-03XAA-H8 SW LP PKG V/A DOC CD
- QA-MT1AA-H8 OVMS Alpha Bin+Onlin
- QA-MT1AD-H8 OVMS Alpha Base V7.1
- QL-MT2AQ-AA OpenVMS Alph Unl Lic
- QB-5SBAC-SA HSZ70 SW VMS LIC/MCC

Bill of Material, BOM

Code	Quant.	Description
762P1-AX	3	ASRV GS60/140 SMP Module OVMS
BN19C-2E	1	PowerCable 240V, C-Europe
BN21K-10	3	68HD SCSI cable 10m
BN38C-02	1	Ultra Chl VHDCI - 68HD
DEFFA-AB	1	PCI to FDDI SAS
DS-BA35X-HE	4	AC INPUT BOX BA370
DS-BA35X-HH	12	180W power supply Blu SBB
DS-BA35X-HJ	2	48VDC 180W Power Supply Blue
DS-HSSIM-AB	8	64MB Cache Upg for HSZ70
DS-RZ1CF-VW	1	4.3GB 7200 UltraSCSI Disk
DS-RZ1DF-VW	4	9.1GB 7200 UltraSCSI 16bit
DS-RZ1EF-VW	102	18.2GB 7200 UltraSCSI Disk
DS-SW6XP-AB	2	PDU REDUNDANT FOR SW600 50Hz
DS-SWXES-BB	2	ESA HIGH BW BUILDING BLK 50HZ
DS-TL895-BA	1	96 Slot Tape Lib W/5 TZ89 DR
DWLPB-BA	1	2nd 12 Slot PCI for DWLPB-AA
DY-393GG-AB	1	AlphaServer GS140 OVMS 4GB EU
H7263-AB	1	48Volt Power Regulator Option
KZPBA-CA	1	PCI to UltraSCSI Adapter UWSE
KZPBA-CB	4	PCI to UltraSCSI Adapter Uwdif
KZPSA-BB	3	PCI-HOST FWD Bus Adapter
MS7CC-GA	3	4GB AlphaServer 8xxx Memory
QA-001AA-GZ	1	OVMS Full Documentation
QA-03XAA-H8	1	SW LP PKG V/A DOC CDROM
QA-MT1AA-H8	1	OVMS Alpha Bin+Onlin DOC CDROM
QA-MT1AD-H8	1	OVMS Alpha Base V7.1-IH2 CD
QB-5SBAC-SA	8	HSZ70 SW VMS LIC/MCD/DOC
QL-MT2AQ-AA	1	OpenVMS Alph Unl Lic
VT510-A4	1	Text Terminal WH Intl No-hemi

COMPAQ 02-Jan-1999 GTAUVGS1401
http://www.digital.com/golden-eggs

This configuration diagram is generated with fresh GOLDEN EGGS Software.
This template is included in the present GOLDEN EGGS Software kit.

GS140

AlphaServer GS140 OpenVMS system
GOLDEN EGGS Visual Configurations, Helsinki

OpenVMS - Fibre Channel Connections

Ethernet

Alpha

Alpha

Alpha

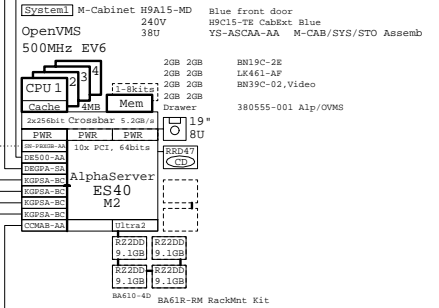
Alpha

Gigabit Ethernet

10xCPU, 8GB, Galaxy

12xCPU, 8GB

4xCPU, 16GB



1st Instance



2nd Instance

OpenVMS AlphaServer GS140

OpenVMS AlphaServer GS140

OpenVMS AlphaServer ES40 M2

10xCPU Galaxy Cabinet

Part Number	Qty	Description
380574-001	8	Compad Host Buss Cntr KGPSA-BC
758P1-AX	4	AS8400/8200 5/625 SMP VMS
CCMB-BA	2	FC Mem. Channel 2 Cluster cnt'l
DES00-AA	1	PCI/FAST Ethernet, CAT 5 UTP
DEGPA-SA	2	PCI to Gigabit Ethernet SX Adap
DWLPB-BA	1	2nd 12 slot PCI for DWLPB-AA
DY-393GG-AB	1	AlphaServer GS140 OVMS 4GB BU
KFE72-DA	1	AS 8000 AUX serial port Galaxy
KFHFA-AA	1	3 vca I/O Module w/4 I/O Channel
MSVCC-GA	1	AlphaServer 8Kx8 Memory
VT510-A4	2	Text Terminal WH Intl No-hemi

234457-823	O-Chbl 15m	234457-823	O-Chbl 15m
234457-823	O-Chbl 15m	234457-823	O-Chbl 15m
234457-823	O-Chbl 15m	234457-823	O-Chbl 15m
234457-823	O-Chbl 15m	234457-823	O-Chbl 15m

FC-SW	380591-B21	8-Port
FC-SW	380591-B21	8-Port
FC-SW	380591-B21	8-Port
FC-SW	380591-B21	8-Port

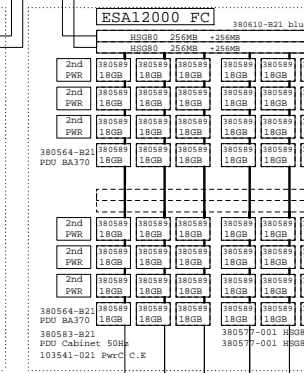
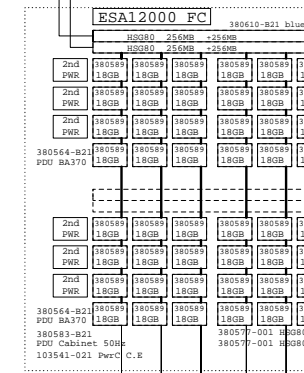
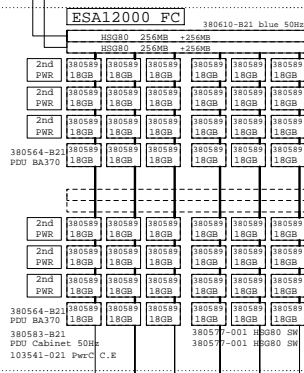
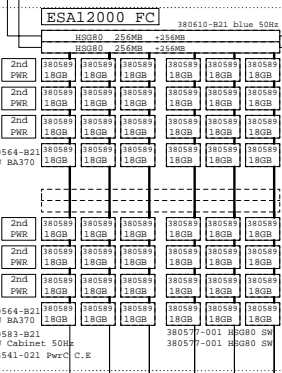
FC Switches

FC-SW	380591-B21	8-Port
FC-SW	380591-B21	8-Port
FC-SW	380591-B21	8-Port
FC-SW	380591-B21	8-Port

FC-SW	380591-B21	8-Port
FC-SW	380591-B21	8-Port
FC-SW	380591-B21	8-Port
FC-SW	380591-B21	8-Port

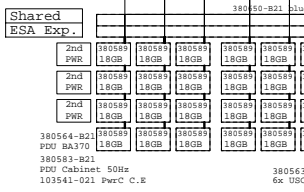
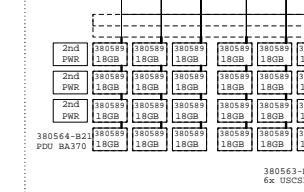
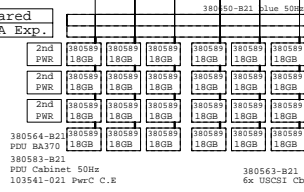
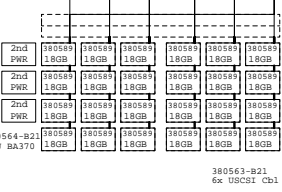
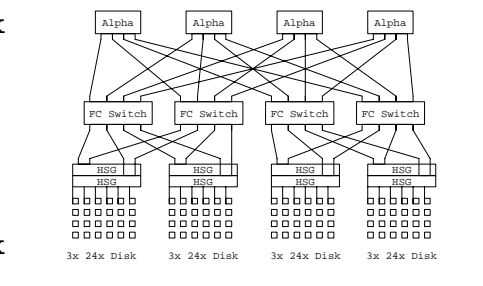
DSGGA-AB
FC switches and host cables

Part Number	Qty	Description
234457-B23	16	Fibre Channel 15m Optical Cable
242795-B21	4	Fibre Channel Hub 7 Ports RM-kit
380561-B21	32	FC Optical Short Wave GBIC
380591-B21	4	FC Switch 8 Ports



All StorageWorks with cables

Part Number	Qty	Description
103541-021	6	Power Cord 13-20A C.Europe
234457-B23	12	Fibre Channel 15m Optical Cable
380555-001	1	OS Platf. Softw. Kit for FC Alpha OVMS
380563-B21	4	Set of six USCSI cables
380564-B21	12	Power Distribution Unit RA8K/7K
380565-B21	36	Power Subly 150W Hot Plug SSB
380577-001	8	ACS V8.3 FC/AL HSGRO Software
380583-B21	6	ESAL2000 Cabinet PDU 50Hz
380589-B21	288	Disk Driv 18GB 10k UWSE HotPlug
380610-B21	4	ESAL200 FC 50HZ 2x24 2xcnt blue
380650-B21	2	ESAL200 FC 50HZ 2x24 N0cnt blue
380674-B21	8	Cache Upd RARk ESA12k 256MB



234457-823	O-Chbl 15m	234457-823	O-Chbl 15m
234457-823	O-Chbl 15m	234457-823	O-Chbl 15m
234457-823	O-Chbl 15m	234457-823	O-Chbl 15m

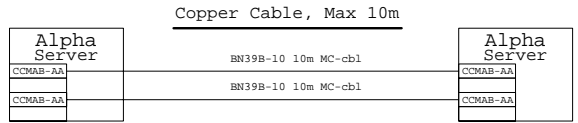
234457-823	O-Chbl 15m	234457-823	O-Chbl 15m
234457-823	O-Chbl 15m	234457-823	O-Chbl 15m
234457-823	O-Chbl 15m	234457-823	O-Chbl 15m

234457-823	O-Chbl 15m	234457-823	O-Chbl 15m
234457-823	O-Chbl 15m	234457-823	O-Chbl 15m
234457-823	O-Chbl 15m	234457-823	O-Chbl 15m

234457-823	O-Chbl 15m	234457-823	O-Chbl 15m
234457-823	O-Chbl 15m	234457-823	O-Chbl 15m
234457-823	O-Chbl 15m	234457-823	O-Chbl 15m

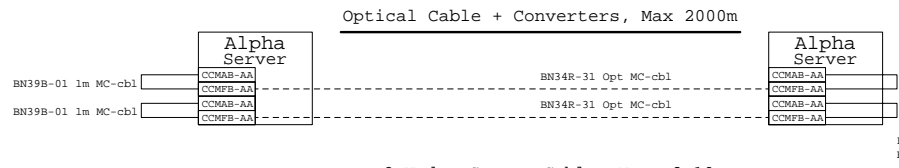
234457-823	O-Chbl 15m	234457-823	O-Chbl 15m
234457-823	O-Chbl 15m	234457-823	O-Chbl 15m
234457-823	O-Chbl 15m	234457-823	O-Chbl 15m

3x 24x 18GB = 1.3TB
4x 1.3TB = 5.2TB



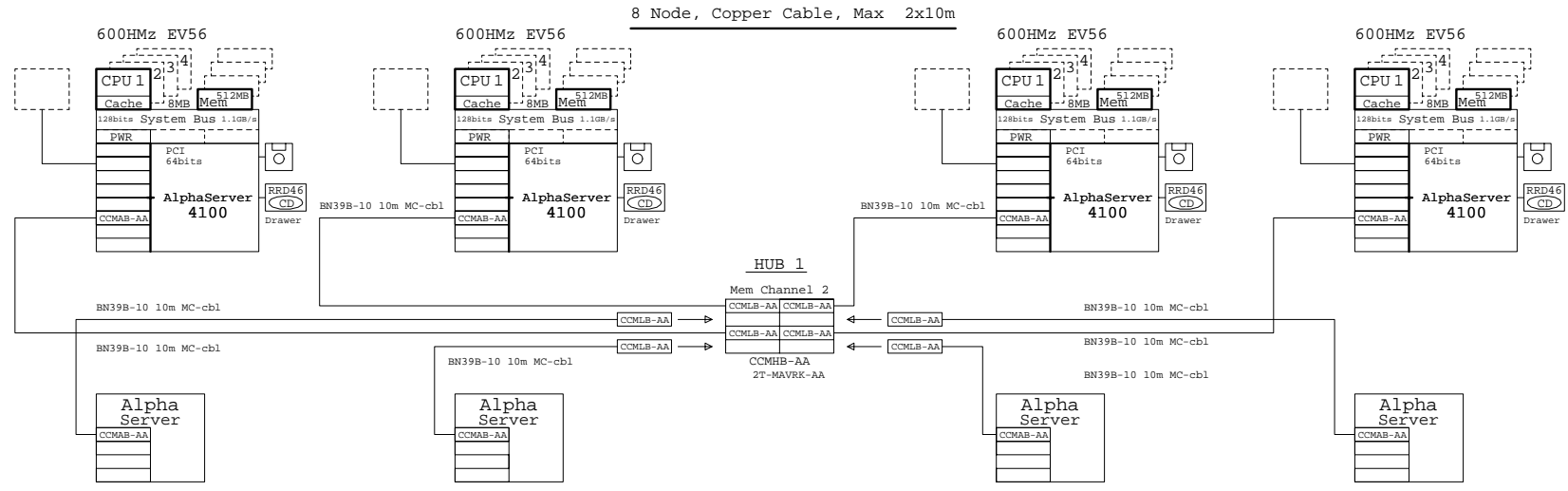
Single / Dual Connection, Copper

Part Number	Qty	Description
BN39B-10	2	10m copper cbl for CCMAB Mem.Chan
CCMAB-AA	4	PCI Mem. Channel-2 Cluster cntrl



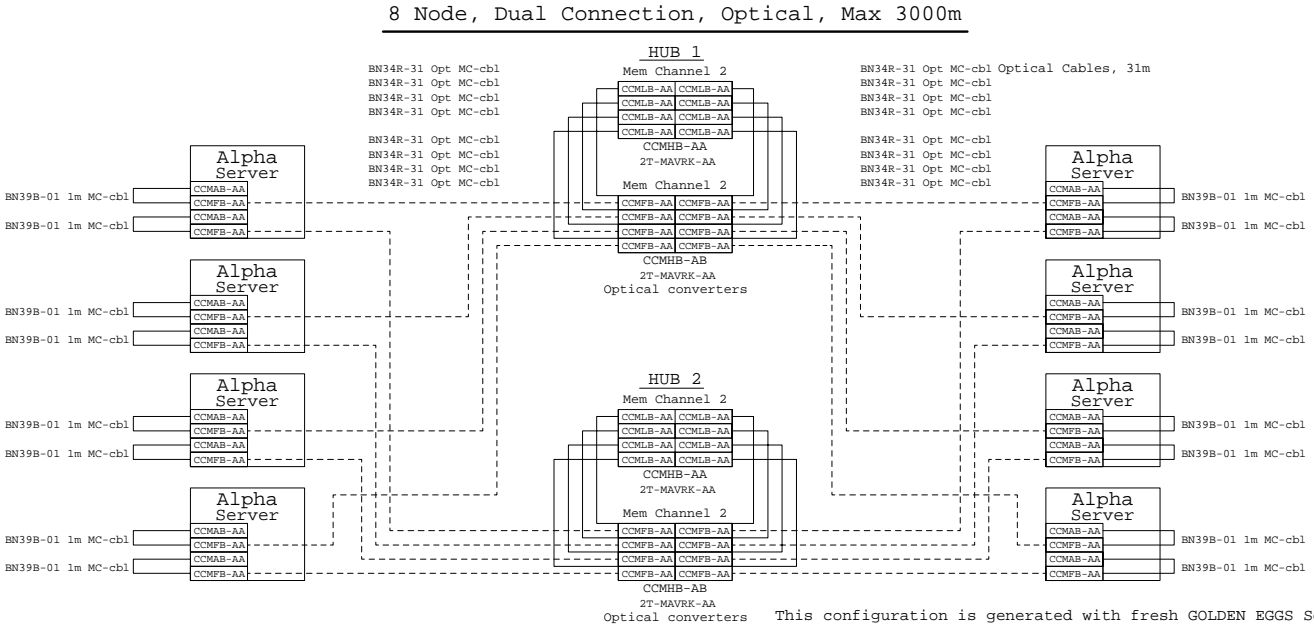
Single / Dual Connection, Optical

Part Number	Qty	Description
BN34R-31	2	31m opt cbl singl mode Mem.Chan
BN39B-01	4	01m copper cbl for CCMAB Mem.Chan
CCMAB-AA	4	PCI Mem. Channel-2 Cluster cntrl
CCMFB-AA	4	F-optic Conv. for CCMHB Mem.Chan-2



8 Node, Single Connection, Copper

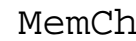
Part Number	Qty	Description
2T-MAVRK-AA	1	RM HW Kit for CCMHB Mem.Chann-2
BN39B-10	8	10m copper cbl for CCMAB Mem.Chan
CCMAB-AA	8	PCI Mem. Channel-2 Cluster cntrl
CCMHB-AA	1	HUB for Mem.Chan-2 W 4x linecards
CCMLB-AA	4	Line Card for CCMHB Mem.Chann-2 hub



8 Node, Dual Connection, Optical, Max 3000m

Part Number	Qty	Description
2T-MAVRK-AA	4	RM HW Kit for CCMHB Mem.Chann-2
BN34R-31	16	31m opt cbl singl mode Mem.Chan
BN39B-01	16	01m copper cbl for CCMAB Mem.Chan
CCMAB-AA	16	PCI Mem. Channel-2 Cluster cntrl
CCMFB-AA	32	F-optic Conv. for CCMHB Mem.Chan-2
CCMHB-AA	2	HUB for Mem.Chan-2 W 4x linecards
CCMHB-BA	2	HUB for Mem.Chan-2 W NO linecards
CCMLB-AA	8	Line Card for CCMHB Mem.Chann-2 hub

This configuration is generated with fresh GOLDEN EGGS Software.



AlphaServer GS140 6/525 W-NT Systems

Expanded Base Server

DN-393GG-AA/AB Windows NT 4GB
120V/240V

SVGA color monitor and keyboard

15" SN-VRQV5-24/23
17" SN-VRQP7-24/23
North/South
BN39C-02 2m ext.cable

SN-LKQ97 -AE GB -AG G -AM S
WNT -AB B -AH NL -AN N
-AD DK -AI I -AP F
-AF FI -AK CH -AS E

Additional CPU modules

762P5-AX 525MHz 2-cpu

Memory modules

MS7CC-EA 1GB
MS7CC-FA 2GB
MS7CC-GA 4GB

Disk storage

DS-RZ1CF-VW 4.3GB UltraSCSI disk
DS-RZ1DF-VW 9.0GB UltraSCSI disk
DS-RZ1EF-VW 18GB UltraSCSI disk

KZPBA-CA UltraSCSI SE, 68HD
KZPBA-CB UltraSCSI Diff, 68HD
BN38C-02 2m SCSI cable,68HD-VHDCI
KZPAC-CB RAID 3-port, 8MB cache
KZPSC-UB Cache battery
KZPAC-SB Dual cable bulkhead
BN31S-02 2m SCSI cbl 68HD-68HD

Tape storage

TZ88N-VA 20/40GB DLT tape drive

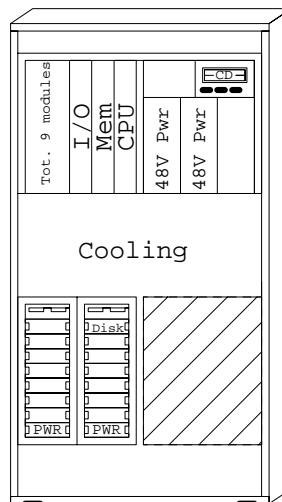
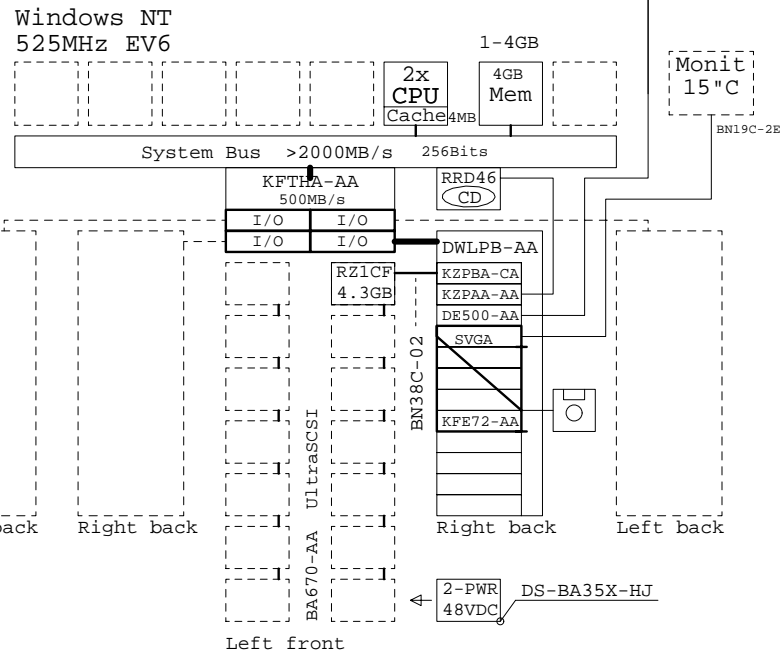
Communications

DE500-AA Fast Ethernet 10/100
DE450-CA Ethernet,thin/thic/twis
DEFPA-AB FDDI adapter,SAS MMF
DEFPA-DB FDDI adapter,DAS MMF
DEFPA-UB FDDI adapter,SAS TP-PMD
DEFPA-MB FDDI adapter,DAS TP-PMD

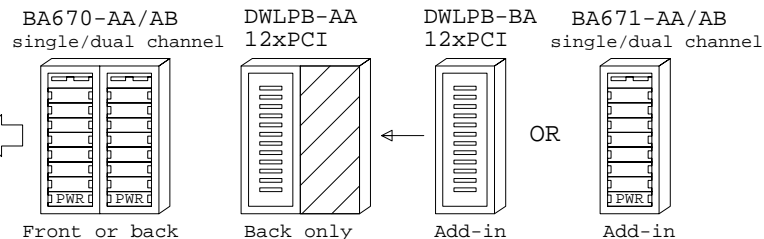
W-NT kit

QB-5YUAA-WC W-NT kit 4.0/English
1-16CPUs

AlphaServer GS140



H7263-AA/AB Power supply 206/418V



Licenses included:

Microsoft Windows NT Server 4.0/Enterprise Edition

COMPAQ	07-Jan-1999	GEAGS1402
	www.digital.com/golden-eggs	

AlphaServer GS140 6/525 WNT Systems
GOLDEN EGGS Visual Configurations, Helsinki

FDDI

Ethernet

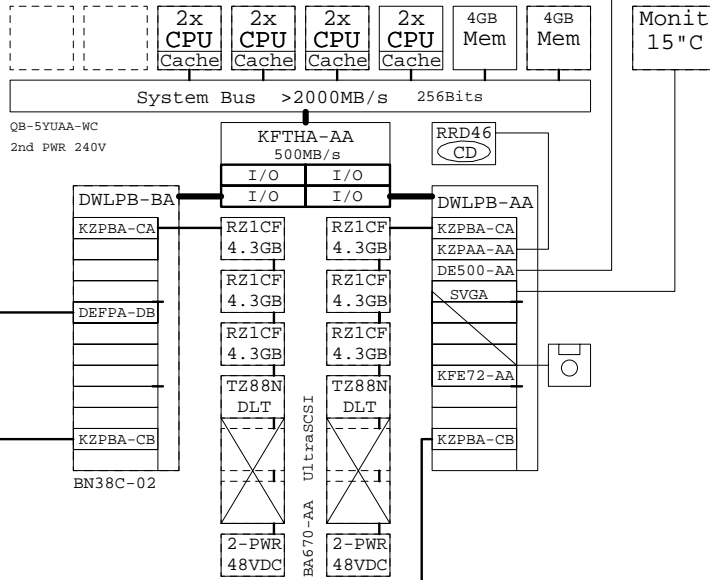
AlphaServer GS140 6/525 Windows NT System

Windows NT AlphaServer GS140 525MHz EV6

BN19C-2E SN-LKQ47-AF

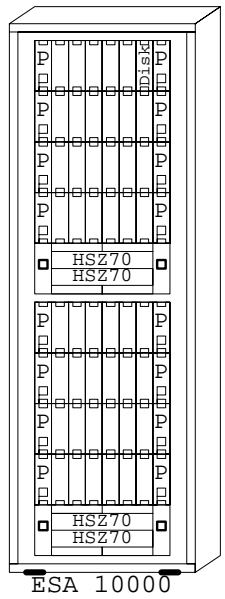
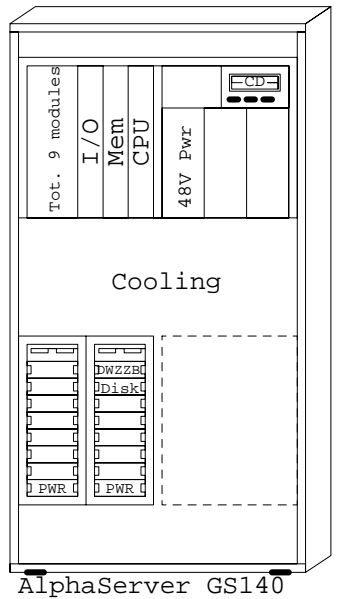
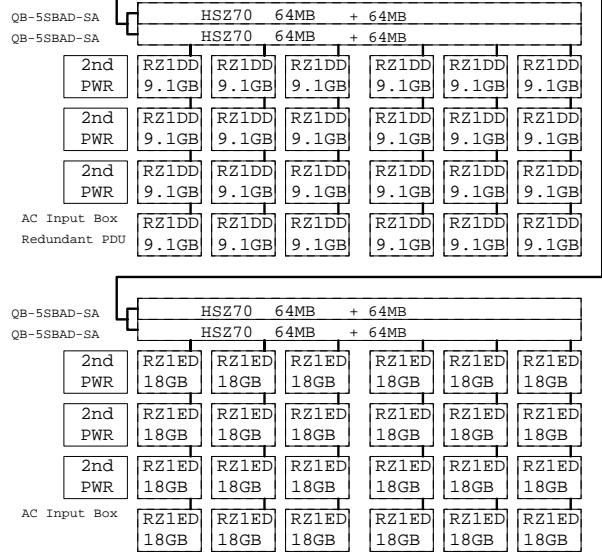
GOLDEN EGGS Drawing: p_GTANGS1401 Date: 1999-01-07 18:03:48

Bill of Material



Code	Quant.	Description
762P5-AX	3	ASRV GS60/140 SMP Module WNT
BN19C-2E	1	PowerCable 240V, C-Europe
BN38C-02	1	Ultra Cbl VHDCI - 68HD
DEFPA-DB	1	PCI to FDDI DAS
DN-393GG-AB	1	AlphaServ GS140 WNT 4GB SYS EU
DS-BA35X-HE	2	AC INPUT BOX BA370
DS-BA35X-HH	6	180W power supply Blu SBB
DS-BA35X-HJ	2	48VDC 180W Power Supply Blue
DS-HSSIM-AB	4	64MB Cache Upg for HSZ70
DS-RZ1CF-VW	5	4,3GB 7200 UltraSCSI Disk
DS-RZ1DD-VW	24	9.1GB 10000r UltraSCSI disk
DS-RZ1ED-VW	24	18.2GB 10000r UltraSCSI disk
DS-SW6XP-AB	1	PDU REDUNDANT FOR SW600 50Hz
DS-SWXES-BB	1	ESA HIGH BW BUILDING BLK 50HZ
DWLPB-BA	1	2nd 12 Slot PCI for DWLPB-AA
H7263-AB	1	48Volt Power Regulator Option
KZPBA-CA	1	PCI to UltraSCSI Adapter UWSE
KZPBA-CB	2	PCI to UltraSCSI Adapter UWdif
MS7CC-GA	1	4GB AlphaServer 8xxx Memory
QB-5SBAD-SA	4	HSZ70 SW NTA LIC/MCD
QB-5YUAA-WC	1	WNT SV ENT1-16 LIC/MCD English
SN-LKQ47-AF	1	102 KEY KYBD, NON-WIN, Finnish
SN-VRQV5-24	1	COMPAQ V55 CLR MON,NH,TC095
TZ88N-VA	2	20/40GB SE DLT-tape StorageWor

ESA 10000



This configuration diagram is generated with fresh GOLDEN EGGS Software. This template is included in the present GOLDEN EGGS Software kit.

NT GS140

COMPAQ 07-Jan-1999 GTANGS1401
www.digital.com/golden-eggs

AlphaServer GS140 WNT System
GOLDEN EGGS Visual Configurations, Helsinki

AlphaServer 800 5/500 Systems

Order number	Operating system	Server systems, 64bits 500MHz
#1 PB82C-FC	DIGITAL UNIX	128MB (Disk) CD,RX (NI) SVGA
PB82C-FD	DIGITAL UNIX	256MB (Disk) CD,RX (NI) SVGA
PB82C-FE	DIGITAL UNIX	512MB (Disk) CD,RX (NI) SVGA
PB82C-FF	DIGITAL UNIX	1GB (Disk) CD,RX (NI) SVGA
PB82C-MC	OpenVMS	128MB (Disk) CD,RX (NI) SVGA
PB82C-MD	OpenVMS	256MB (Disk) CD,RX (NI) SVGA
PB82C-ME	OpenVMS	512MB (Disk) CD,RX (NI) SVGA
PB82C-MF	OpenVMS	1GB (Disk) CD,RX (NI) SVGA

C/S = Pedestal/Rackmount

#2 Select system disk

#3 Select Ethernet controller

#4 SVGA color monitor

#5 For 240V use, select power cord and keyboard.

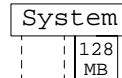
15" SN-VRQV5-24/23	SN-LKQ47	-AE GB	-AG G	-AM S	BN19C-2E	Europe	
17" SN-VRQP7-24/23	UNIX	-AB B	-AH NL	-AN N	BN19A-2E	GB	
	North/South	SN-LKQ97	-AD DK	-AI I	-AP F	BN19E-2E	CH
		WNT	-AF FI	-AK CH	-AS E	BN19K-2E	DK
BN39C-02	2m ext.cable	LK461				BN19Z-2E	I
		OVMS					

SN-LKQ47	-AE GB	-AG G	-AM S	BN19C-2E	Europe
UNIX	-AB B	-AH NL	-AN N	BN19A-2E	GB
SN-LKQ97	-AD DK	-AI I	-AP F	BN19E-2E	CH
WNT	-AF FI	-AK CH	-AS E	BN19K-2E	DK
LK461				BN19Z-2E	I
OVMS					

Internal options

Memory expansion

PB8MA-AC	64MB	Max memory: 2x 1GB = 2GB
PB8MA-AD	128MB	
PB8MA-AE	256MB	
PB8MA-AF	512MB	
PB8MA-AG	1GB	



Internal storage

Tape storage

PBXTZ-AA	2.0GB Quick tape drive
TLZ09-LK	8.0GB DAT tape drive
TLZ10-LK	12/24GB DAT tape drive

Disk storage

RZ1BB-SB	2.1GB UltraSCSI SCA disk
RZ1CF-SB	4.3GB UltraSCSI SCA disk
RZ1DF-SB	9.0GB UltraSCSI SCA disk
RZ1EF-SB	18GB UltraSCSI SCA disk

KZPBA-CA	UltraSCSI SE adapter
BN38C-02	2m SCSI cable,68HD-VHDCI

KZPAC-AA	RAID 1-port, 4MB cache
KZPAC-CB	RAID 3-port, 8MB cache
KZPAC-UB	Cache battery
KZPAC-SB	Dual cable bulkhead
BN37A-02	2m SCSI cbl VHDCI-VHDCI
PB8HA-DA	SCSI cable for internal storage

Controllers

DE500-AA	Fast Ethernet 10/100
DE504-BA	Fast Ethernet, Quad
DEFPA-AB	FDDI adapter,SAS MMF
DEFPA-DB	FDDI adapter,DAS MMF
DEFPA-UB	FDDI adapter,SAS TP-PMD
KFPASA-AA	DSSI controller
PBXNP-AA	Token ring adapter
KZPCM-DA	Dual SCSI + Ethernet

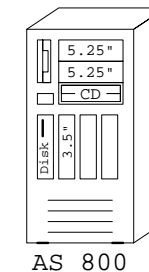
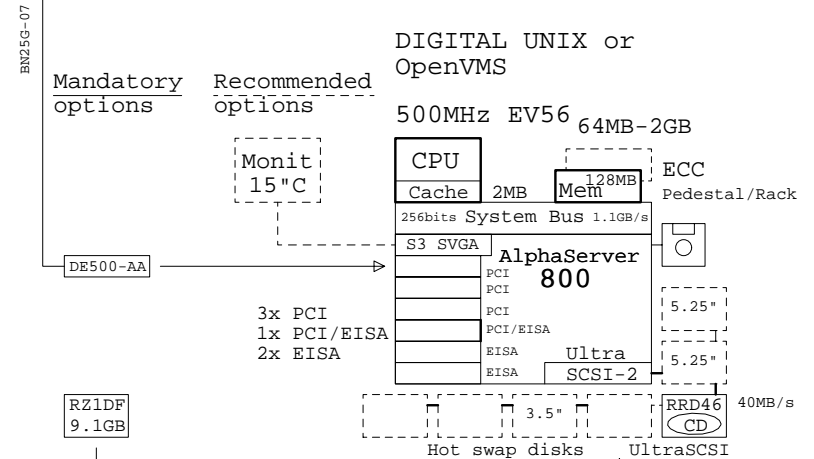
External options

Tape storage

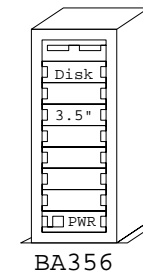
DS-TZ89N-TA	35/70GB DLT tape,TT
BN21K-02	SCSI cable, FWD
BN19C-2E	Power cord, Europe
KZPBA-CA	UltraSCSI SE adapter

Disk storage

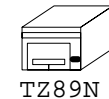
DS-BA356-KF	Pedestal, single bus
DS-BA356-KG	Pedestal, split bus
BN37A-02	2m SCSI,VHDCI-VHDCI
BN19C-2E	Power cord, Europe
DS-RZ1BB-VW	2.1GB UltraSCSI disk
DS-RZ1CF-VW	4.3GB UltraSCSI disk
DS-RZ1DF-VW	9.0GB UltraSCSI disk



AS 800



BA356



TZ89N

Licenses included:

- DIGITAL UNIX V4.0d, Base license, Unlimited User license, Server Extension license, and Internet Access Software license and Netscape's Enterprise Server 3.0.
- OpenVMS V7.1-1H2, Base license and DIGITAL Enterprise Integration Package.

	@500MHz
SPECint95	14.2
SPECfp95	16.1
SPECweb96	1158
TPC	

Software Processor Code: E

COMPAQ	31-Dec-1998	GEA083
	www.digital.com/golden-eggs	

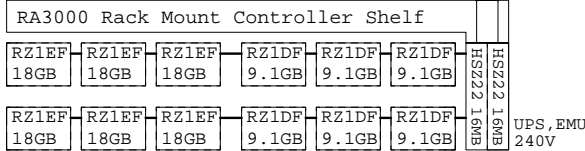
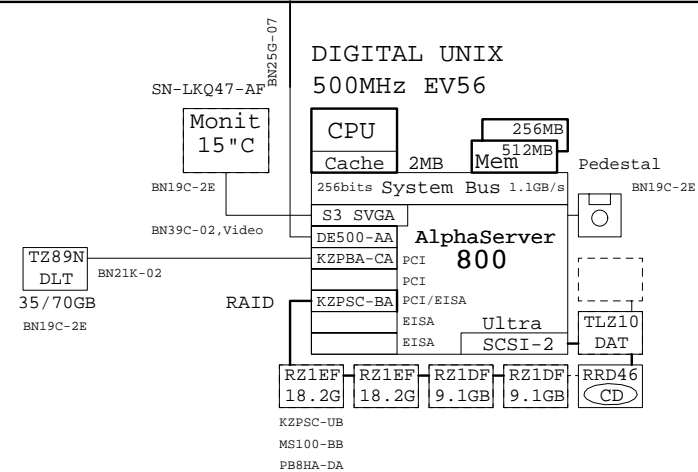
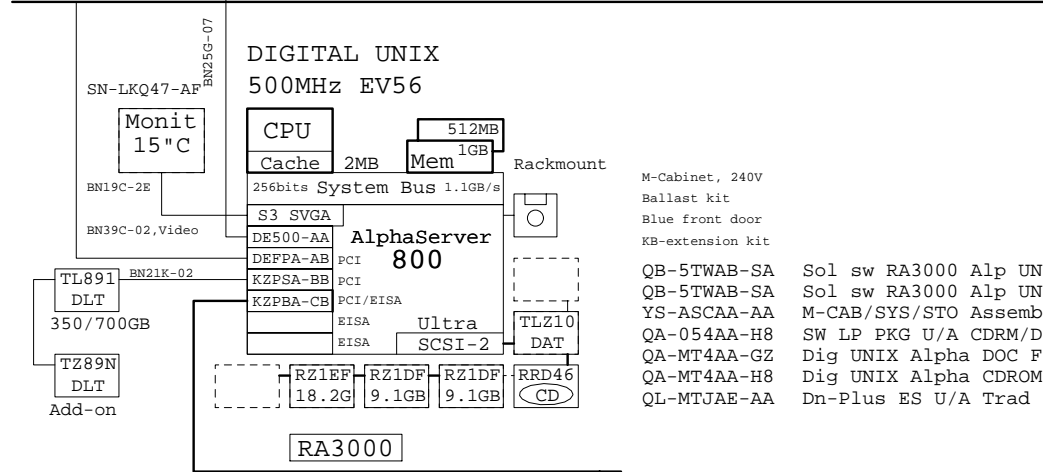
AlphaServer 800 5/500 Systems

GOLDEN EGGS Visual Configurations, Helsinki

800 expanded single cabinet system

800 single pedestal system

Ethernet
FDDI



Code	Quant.	Description
2T-450KM-AA	1	Video/mouse/keyboard ext cable
BN19C-2E	1	PowerCable 240V, C-Europe
BN21K-02	1	68HD SCSI cable 2m
BN25G-07	1	17-03212-05 8MP-8MP PATCH CBL
BN39C-02	1	1.8 Video Extension Cable ****
DE500-AA	1	PCI/FAST Ethernet, CAT 5 UTP
DEFFPA-AB	1	PCI to FDDI SAS
DS-HSZ22-AA	1	HSZ22 controller 16MB
DS-RZ1DF-VW	6	9.1GB 7200 UltraSCSI 16bit
DS-RZ1EF-VW	6	18.2GB 7200 UltraSCSI Disk
DS-SWXRA-GK	1	RA3000 Rackmount one HSZ22 240V
DS-SWXRA-GN	2	RA3000 Rackmount Expan 120/240
DS-TL891-NE	1	10 slot 1 TZ89 Min Lib RM FWD
DS-TL892-UA	1	Add-on Dr for DS-TL891-xx
H9A10-MD	1	M-Series Cab,H9A10,Blue,240V
H9C10-MC	1	Ballast Kit for cabinets
H9C10-TF	1	FrontDoorKit Blue for H9A10
KZPBA-CB	1	PCI to UltraSCSI Adapter Uwdif
KZPSA-BB	1	PCI-HOST FWD Bus Adapter
PB82S-FF	1	AS800 5/500 1GB CD RM UNIX
PB8MA-AF	1	Asr800 -512MB EDO DIMM Memory
QA-054AA-H8	1	SW LP PKG U/A CDRM/DOC
QA-MT4AA-GZ	1	Dig UNIX Alpha DOC Full
QA-MT4AA-H8	1	Dig UNIX Alpha CDROM
QB-5TWAB-SA	2	Sol sw RA3000 Alp UNIX
QL-MTJAE-AA	1	Dn-Plus ES U/A Trad Lic
RZ1DF-SB	2	9.1GB 7200RPM UltraSCSI 16Bit
RZ1EF-SB	1	18.2G 7200RPM UltraSCSI Disk
SN-LKQ47-AF	1	102 KEY KYBD, NON-WIN, Finnish
SN-VRQV5-24	1	COMPAQ V55 CLR MON,NH,TCO95
TLZ10-LK	1	TLZ10 for AServr 800/1200/4000
YS-ASCAA-AA	1	M-CAB/SYS/STO Assembly

QA-054AA-H8 SW LP PKG U/A CDRM/D
 QA-MT4AA-GZ Dig UNIX Alpha DOC F
 QA-MT4AA-H8 Dig UNIX Alpha CDROM
 QL-MTJAE-AA Dn-Plus ES U/A Trad

Code	Quant.	Description
BN19C-2E	3	PowerCable 240V, C-Europe
BN21K-02	1	68HD SCSI cable 2m
BN25G-07	1	17-03212-05 8MP-8MP PATCH CBL
BN39C-02	1	1.8 Video Extension Cable ****
DE500-AA	1	PCI/FAST Ethernet, CAT 5 UTP
DS-TZ89N-TA	1	35/70GB SE DLT-tape TT FWSE
KZPBA-CA	1	PCI to UltraSCSI Adapter UWSE
KZPSC-BA	1	PCI BACPLANE RAID 3 CHANNEL
KZPSC-UB	1	Battery Backup for KZPSC
MS100-BB	1	8MB EDRAM SSIMM for KZPAC
PB82C-FE	1	AS800 5/500 512MB CD Ped UNIX
PB8HA-DA	1	Asr800 Internal scsi cable
PB8MA-AE	1	Asr800 -256MB EDO DIMM Memory
QA-054AA-H8	1	SW LP PKG U/A CDRM/DOC
QA-MT4AA-GZ	1	Dig UNIX Alpha DOC Full
QA-MT4AA-H8	1	Dig UNIX Alpha CDROM
QL-MTJAE-AA	1	Dn-Plus ES U/A Trad Lic
RZ1DF-SB	2	9.1GB 7200RPM UltraSCSI 16Bit
RZ1EF-SB	2	18.2G 7200RPM UltraSCSI Disk
SN-LKQ47-AF	1	102 KEY KYBD, NON-WIN, Finnish
SN-VRQV5-24	1	COMPAQ V55 CLR MON,NH,TCO95
TLZ10-LK	1	TLZ10 for AServr 800/1200/4000

COMPAQ 31-Dec-1998 GTAU081
 www.digital.com/golden-eggs

This configuration diagram is generated with fresh GOLDEN EGGS Software.
 This template is included in the present GOLDEN EGGS Software kit.

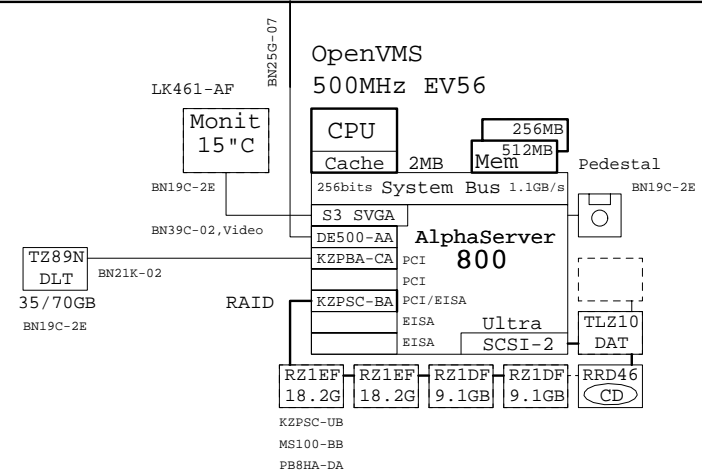
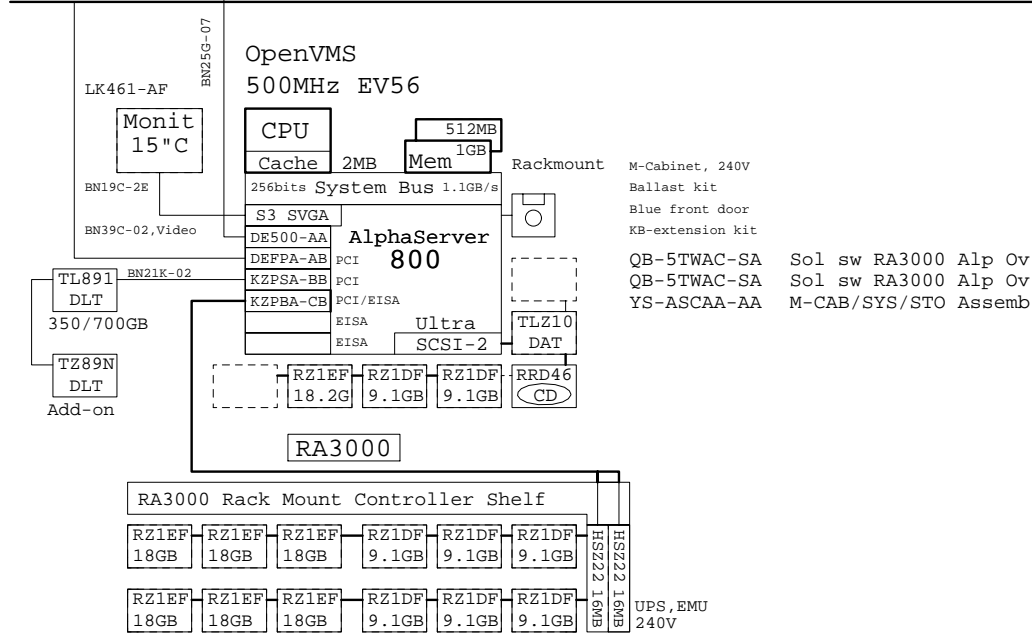
800

AlphaServer 800 UNIX systems
 GOLDEN EGGS Visual Configurations, Helsinki

800 expanded single cabinet system

800 single pedestal system

Ethernet
FDDI



- QL-MT2AE-AA OpenVMS Alph Unl Lic
- QL-MTGAE-AA DECnet/OSI V/A Licen
- QA-MT1AD-H8 OVMS Alpha Base V7.1
- QA-MT1AA-H8 OVMS Alpha Bin+Onlin
- QA-03XAA-H8 SW LP PKG V/A DOC CD
- QA-001AA-GZ OVMS Full Documentat

Code	Quant.	Description
2T-450KM-AA	1	Video/mouse/kb ext cable
BN19C-2E	1	PowerCable 240V, C-Europe
BN21K-02	1	68HD SCSI cable 2m
BN25G-07	1	17-03212-05 8MP-8MP PATCH CBL
BN39C-02	1	1.8 Video Extension Cable ****
DE500-AA	1	PCI/FAST Ethernet, CAT 5 UTP
DEFFPA-AB	1	PCI to FDDI SAS
DS-HSZ22-AA	1	HSZ22 controller 16MB
DS-RZ1DF-VW	6	9.1GB 7200 UltraSCSI 16bit
DS-RZ1EF-VW	6	18.2GB 7200 UltraSCSI Disk
DS-SWXRA-GK	1	RA3000 Rackmount one HSZ22 240V
DS-SWXRA-GN	2	RA3000 Rackmount Expan 120/240
DS-TL891-NE	1	10 slot 1 TZ89 Min Lib RM FWD
DS-TL892-UA	1	Add-on Dr for DS-TL891-xx
H9A10-MD	1	M-Series Cab,H9A10,Blue,240V
H9C10-MC	1	Ballast Kit for cabinets
H9C10-TF	1	FrontDoorKit Blue for H9A10
KZPBA-CB	1	PCI to UltraSCSI Adapter UWdif
KZPSA-BB	1	PCI-HOST FWD Bus Adapter
LK461-AF	1	VMS STYLE KEYBOARD, Fin/Swed
PB82S-MF	1	AS800 5/500 1GB CD RM OVMS
PB8MA-AF	1	Asr800 -512MB EDO DIMM Memory
QB-5TWAC-SA	2	Sol sw RA3000 Alp Ovms
RZ1DF-SB	2	9.1GB 7200RPM UltraSCSI 16Bit
RZ1EF-SB	1	18.2G 7200RPM UltraSCSI Disk
SN-VRQV5-24	1	COMPAQ V55 CLR MON,NH,TC095
TLZ10-LK	1	TLZ10 for AServr 800/1200/4000
YS-ASCAA-AA	1	M-CAB/SYS/STO Assembly

Code	Quant.	Description
BN19C-2E	3	PowerCable 240V, C-Europe
BN21K-02	1	68HD SCSI cable 2m
BN25G-07	1	17-03212-05 8MP-8MP PATCH CBL
BN39C-02	1	1.8 Video Extension Cable ****
DE500-AA	1	PCI/FAST Ethernet, CAT 5 UTP
DS-TZ89N-TA	1	35/70GB SE DLT-tape TT FWSE
KZPBA-CA	1	PCI to UltraSCSI Adapter UWSE
KZPSC-BA	1	PCI BACPLANE RAID 3 CHANNEL
KZPSC-UB	1	Battery Backup for KZPSC
LK461-AF	1	VMS STYLE KEYBOARD, Fin/Swed
MS100-BB	1	8MB EDRAM SSIMM for KZPAC
PB82C-ME	1	AS800 5/500 512MB CD Ped OVMS
PB8HA-DA	1	Asr800 Internal scsi cable
PB8MA-AE	1	Asr800 -256MB EDO DIMM Memory
QA-001AA-GZ	1	OVMS Full Documentation
QA-03XAA-H8	1	SW LP PKG V/A DOC CDROM
QA-MT1AA-H8	1	OVMS Alpha Bin+Onlin DOC CDROM
QA-MT1AD-H8	1	OVMS Alpha Base V7.1-H2 CD
QL-MT2AE-AA	1	OpenVMS Alph Unl Lic
QL-MTGAE-AA	1	DECnet/OSI V/A License
RZ1DF-SB	2	9.1GB 7200RPM UltraSCSI 16Bit
RZ1EF-SB	2	18.2G 7200RPM UltraSCSI Disk
SN-VRQV5-24	1	COMPAQ V55 CLR MON,NH,TC095
TLZ10-LK	1	TLZ10 for AServr 800/1200/4000

COMPAQ 31-Dec-1998 GTAV081
www.digital.com/golden-eggs

This configuration diagram is generated with fresh GOLDEN EGGS Software. This template is included in the present GOLDEN EGGS Software kit.

800

AlphaServer 800 OpenVMS systems
GOLDEN EGGS Visual Configurations, Helsinki

AlphaServer 1000A 5/500 Systems

Order number	Operating system	Server systems, 64bits 500MHz
#1 PB79B-FA/FB	DIGITAL UNIX	128MB 4.3GB CD,RX NI NO SVGA
PB79B-FC/FD	DIGITAL UNIX	256MB 4.3GB CD,RX NI NO SVGA
PB79B-MA/MB	OpenVMS	128MB 4.3GB CD,RX NI NO SVGA
PB79B-MC/MD	OpenVMS	256MB 4.3GB CD,RX NI NO SVGA

120V/240V

#2 SVGA color monitor #3 For 240V use, select power cord and keyboard.

15" SN-PCXBV-EZ/EY	LK47W- -AE GB -AG G -AM S	BN19C-2E Europe
17" SN-PCXBV-FZ/FY	UNIX -AB B -AH NL -AN N	BN19A-2E GB
21" SN-PCXAV-WZ/WY	-AD DK -AI I -AP F	BN19E-2E CH
North/South	LK46W- -AF FI -AK CH -AS E	BN19K-2E DK
	OVMS	BN19Z-2E I

Internal options

Memory expansion

PB7MA-CB	32MB	Max memory: 4x 256MB = 1GB
PB7MA-CC	64MB	
PB7MA-CD	128MB	
PB7MA-CE	256MB	

System

H7290-AA Second power supply

Internal storage

Tape storage

PBXTZ-AA	2.0GB Qick tape drive
PBXTL-DA	8.0GB DAT tape drive
TLZ10-LG	12/24GB DAT tape drive

Disk storage

DS-RZ1BB-VW	2.1GB UltraSCSI disk
DS-RZ1CB-VW	4.3GB UltraSCSI disk
DS-RZ1DB-VW	9.0GB UltraSCSI disk

RAID controllers

KZPSC-AA	RAID 1-port controller
KZPSC-BA	RAID 3-port controller
KZPSC-UB	Cache battery
PB7HA-BA	68HD cable set, 1 or 2

Controllers

PB2GA-JC	1MB graphics adapter
DE500-AA	Fast Ethernet 10/100
DE450-CA	Ethernet, thin/thic/twis
DEFPA-AB	FDDI adapter, SAS MMF
DEFPA-DB	FDDI adapter, DAS MMF
DEFPA-UB	FDDI adapter, SAS TP-PMD
KFPSA-AA	DSSI controller

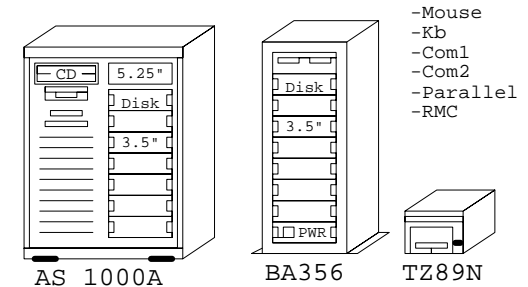
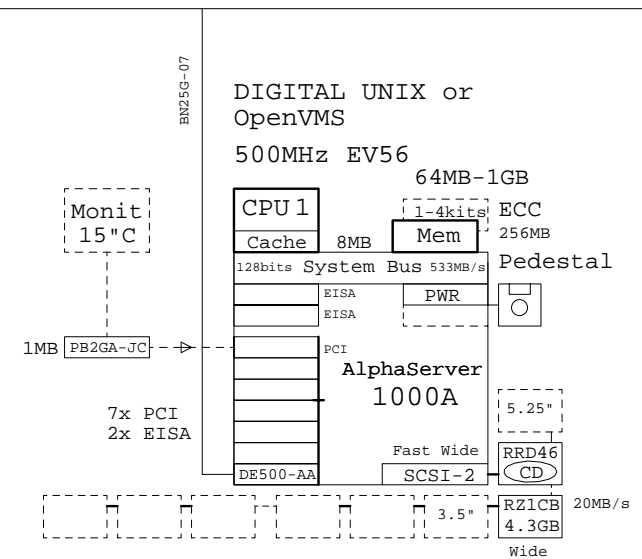
External options

Tape storage

DS-TZ89N-TA	35/70GB DLT tape, TT
BN21K-02	SCSI cable, FWD
BN19C-2E	Power cord, Europe
KZPDA-AA	SCSI controller, FWSE

Disk storage

KZPAC-AA	RAID 1-port, 4MB cache
KZPAC-CB	RAID 3-port, 8MB cache
KZPSC-UB	Cache battery
DS-BA356-KF	Pedestal, single bus
DS-BA356-KG	Pedestal, split bus
BN37A-02	2m SCSI, VHDCI-VHDCI
BN19C-2E	Power cord, Europe
DS-RZ1BB-VW	2.1GB UltraSCSI disk
DS-RZ1CB-VW	4.3GB UltraSCSI disk
DS-RZ1DB-VW	9.0GB UltraSCSI disk



Licenses included:

- DIGITAL UNIX V4.0d, Base license, Unlimited User license, Server Extension license, and Internet Access Software license and Netscape's Enterprise Server 3.0.
- OpenVMS V7.1-1H1, Base license and DIGITAL Enterprise Integration Package.

	@500MHz
SPECint95	14.2
SPECfp95	17.8
SPECweb96	--
TPC	3264@\$61

Software Processor Code: E

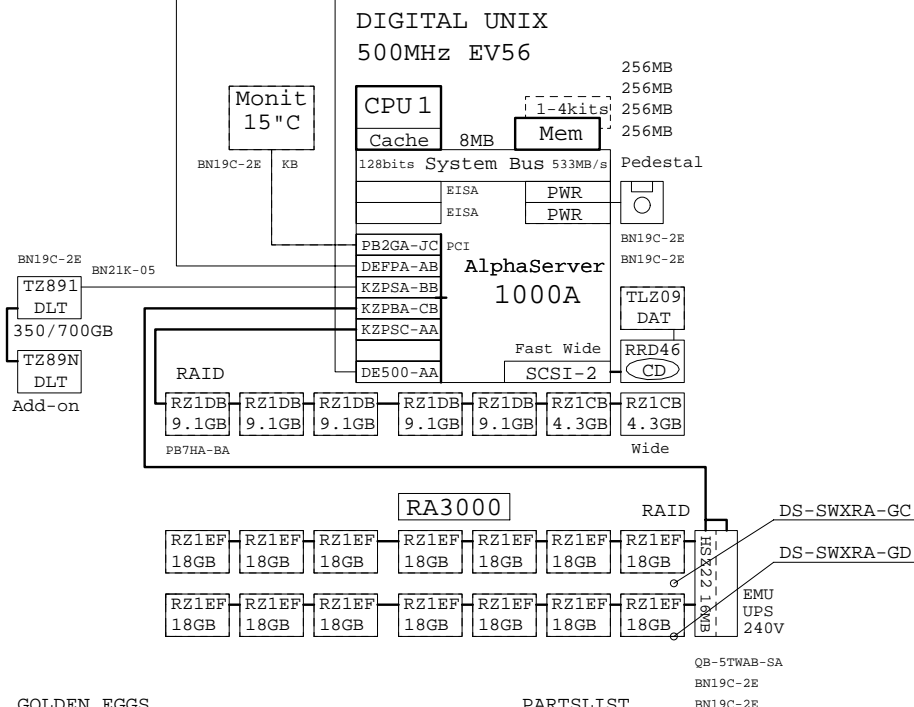
digital	18-May-1998	GEA10E
http://www.digital.com/golden-eggs		

AlphaServer 1000A 5/500 Systems
GOLDEN EGGS Visual Configurations, Helsinki

FDDI
Ethernet

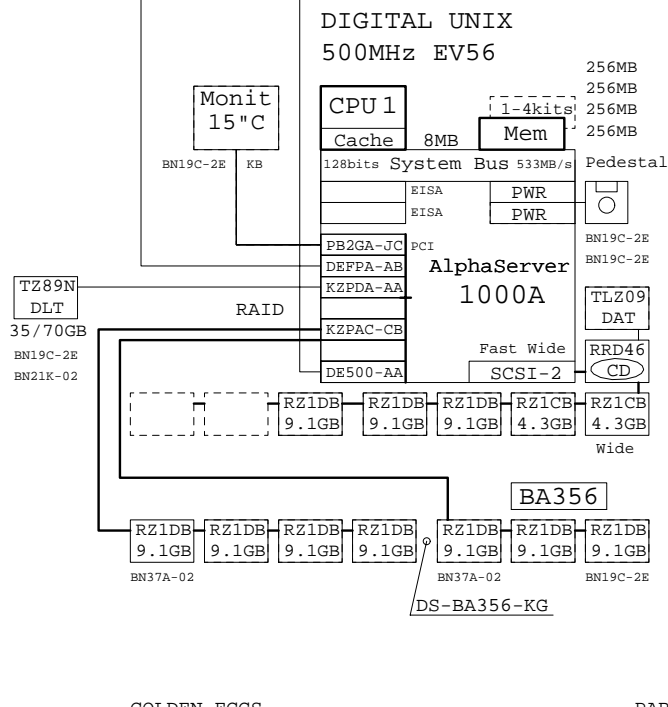
1000A expanded single system

1000A single system



GOLDEN EGGS PARTSLIST
Output Date: 1998-05-19 12:31:07

Code	Quant.	Description
BN19C-2E	6	PowerCable 240V, C-Europe
BN21K-05	1	68HD SCSI cable 5m
DEFPA-AB	1	PCI to FDDI SAS
DS-RZ1CB-VW	1	4,3GB 7200 UltraSCSI Disk
DS-RZ1DB-VW	5	9.1GB 7200 UltraSCSI Disk
DS-RZ1EF-VW	14	18.2GB 7200 UltraSCSI Disk
DS-SWXRA-GC	1	RA3000 pedestal one HSZ22 240V
DS-SWXRA-GD	1	RA3000 expansion pedestal
DS-TL892-UA	1	Add-on Dr for DS-TL891-xx
DS-TZ891-NT	1	10 slot 1 TZ89 Min Lib TT FWD
H7290-AA	1	PWR SUPPLY AS 1000A
KZPBA-CB	1	PCI to UltraSCSI Adapter UWdif
KZPSA-BB	1	PCI-HOST FWD Bus Adapter
KZPSC-AA	1	PCI BACPLANE RAID 1 CHANNEL
LK47W-AF	1	PS/2 Finn/Swedish KB UNIX
PB2GA-JC	1	PCI GRAPHICS MOD, 1MB DRAM
PB7HA-BA	1	ALPHASERVER FW SCSI OPT CABLE
PB7MA-CE	3	ASR 1000A 5/300 256MB MEMORY
PB79B-FD	1	AS 1000A 5/500 PG 256MB UNIX E
PBXTL-DA	1	4MM DAT TAPE DRIVE (TLZ09)
QB-5TWAB-SA	1	Solution sw RA3000 Alpha UNIX
SN-PCXBV-EZ	1	15" (13.6"VIS)MONITOR,MPRII,NH



GOLDEN EGGS PARTSLIST
Output Date: 1998-05-19 12:08:57

Code	Quant.	Description
BN19C-2E	4	PowerCable 240V, C-Europe
BN21K-02	1	68HD SCSI cable 2m
BN37A-02	2	Ultra Cbl VHDCI - VHDCI
DEFPA-AB	1	PCI to FDDI SAS
DS-BA356-KG	1	Pedestal Storage, UltraW, Spli
DS-RZ1CB-VW	1	4,3GB 7200 UltraSCSI Disk
DS-RZ1DB-VW	10	9.1GB 7200 UltraSCSI Disk
DS-TZ89N-TA	1	35/70GB SE DLT-tape TT FWSE
H7290-AA	1	PWR SUPPLY AS 1000A
KZPAC-CB	1	3 Chan. SCSI RAID 8MB UltraW
KZPDA-AA	1	SCSI FWSE controller
LK47W-AF	1	PS/2 Finn/Swedish KB UNIX
PB2GA-JC	1	PCI GRAPHICS MOD, 1MB DRAM
PB7MA-CE	3	ASR 1000A 5/300 256MB MEMORY
PB79B-FD	1	AS 1000A 5/500 PG 256MB UNIX E
PBXTL-DA	1	4MM DAT TAPE DRIVE (TLZ09)
SN-PCXBV-EZ	1	15" (13.6"VIS)MONITOR,MPRII,NH

digital 19-May-1998 GTAU101
<http://www.digital.com/golden-eggs>

This configuration diagram is generated with fresh GOLDEN EGGS Software.
This template is included in the present GOLDEN EGGS Software kit.

1000A

AlphaServer 1000A UNIX systems
GOLDEN EGGS Visual Configurations, Helsinki

AlphaServer 1200 5/533 Systems

Order number	Operating system	Server systems, 64bits 533MHz
#1 DA-54KHC-CA	DIGITAL UNIX	128MB (Disk) CD,RX (NI SVGA)
DA-54KHC-DA	DIGITAL UNIX	256MB (Disk) CD,RX (NI SVGA)
DY-54KHC-CA	OpenVMS	128MB (Disk) CD,RX (NI SVGA)
DY-54KHC-DA	OpenVMS	256MB (Disk) CD,RX (NI SVGA)

- #2 Select disk controller
 #3 Select system disk
 #4 Select Ethernet controller

- #5 SVGA color monitor #6 For 240V, select 3x power cords and one keyboard.

15" SN-VRQV5-24/23
17" SN-VRQP7-24/23
North/South
BN39C-02 2m ext.cable

SN-LKQ47 -AE GB	-AG G	-AM S
UNIX -AB B	-AH NL	-AN N
LK461- -AD DK	-AI I	-AP F
OVMS -AF FI	-AK CH	-AS E

BN19C-2E Europe
BN19A-2E GB
BN19E-2E CH
BN19K-2E DK
BN19Z-2E I

Internal options

Additional CPUs

KN307-DB	UNIX 533MHz
KN307-DC	OVMS 533MHz

Memory expansion

DIMM-kits	Max memory
MS300-BA 64MB	8x 256MB = 2GB
MS300-DA 256MB	

Internal storage

Tape storage

PBXTZ-AA	2.0GB QIC SCSI tape
TLZ09-LK	8GB DAT SCSI tape
TLZ10-LK	12/24GB DAT SCSI tape

Disk storage

DS-RZ1CF-VW	4.3GB UltraSCSI disk
DS-RZ1DF-VW	9.1GB UltraSCSI disk
DS-RZ1EF-VW	18GB UltraSCSI disk

KZPCM-DA	Dual UltraSCSI +Ethernet
KZPBA-CA	UltraSCSI SE adapter
BN38C-02	2m SCSI cable,68HD-VHDCI

KZPAC-AA	RAID 1-port, 4MB cache
KZPAC-CB	RAID 3-port, 8MB cache
KZPAC-UB	Cache battery
KZPAC-SB	Dual cable bulkhead
BN37A-02	2m SCSI cbl VHDCI-VHDCI
H8520-AA	SCSI bus splitter kit

Controllers

PB2GA-JD	Graphics 2MB DRAMS
DE500-BA	Fast Ethernet 10/100
DE504-BA	Fast Ethernet, Quad
DEFPA-AB	FDDI adapter,SAS MMF
DEFPA-DB	FDDI adapter,DAS MMF
DEFPA-UB	FDDI adapter,SAS TP-PMD
PBXNP-AA	Token ring adapter
KFPSA-AA	DSSI controller
CIPCA-BA	CI controller
KZPBA-CB	UltraSCSI Diff,68HD

External options

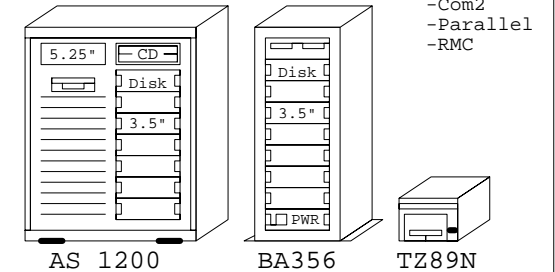
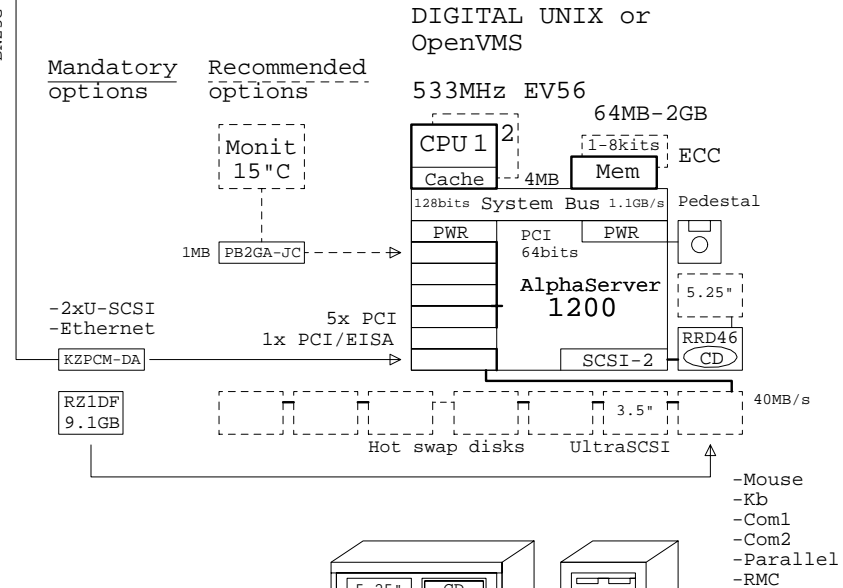
Tape storage

DS-TZ89N-TA	35/70GB DLT tape,TT
BN21K-02	SCSI cable, FWD
BN19C-2E	Power cord, Europe
KZPBA-CA	UltraSCSI SE adapter

Disk storage

DS-BA356-KF	Pedestal, single bus
DS-BA356-KG	Pedestal, split bus
BN37A-02	2m SCSI,VHDCI-VHDCI
BN19C-2E	Power cord, Europe
KZPAC-AA	RAID 1-port, 4MB cache
DS-RZ1CF-VW	4.3GB UltraSCSI disk
DS-RZ1DF-VW	9.1GB UltraSCSI disk

BN25G-07



Licenses included:

- DIGITAL UNIX V4.0d, Base license, Unlimited User license, Server Extension license, and Internet Access Software license and Netscape's Enterprise Server 3.0.
- OpenVMS V7.1-1H2, Base license and DIGITAL Enterprise Integration Package.

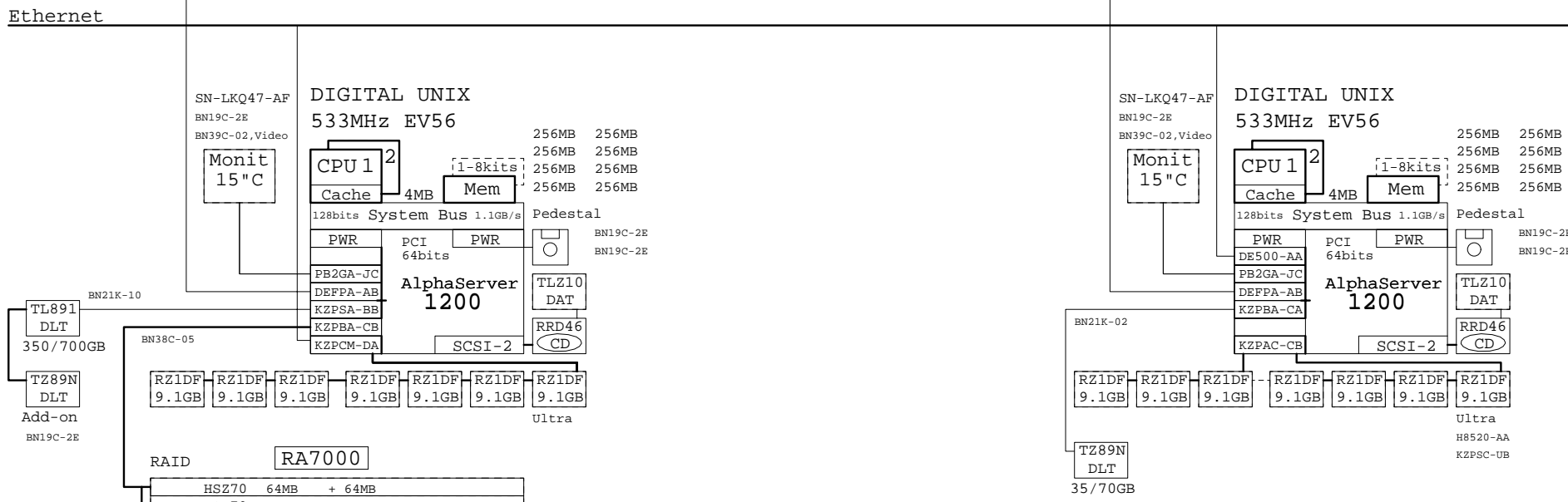
	@533MHz
SPECint95	16.5
SPECfp95	21.9
SPECweb96	3000
TPC	7023@\$49

Software Processor Code: E

COMPAQ	31-Dec-1998	GEA123
	www.digital.com/golden-eggs	

AlphaServer 1200 5/533 Systems
 GOLDEN EGGS Visual Configurations, Helsinki

FDDI Ethernet 1200 expanded system 1200 single system



Code	Quant.	Description
QA-MT4AA-H8	1	Dig UNIX Alpha CDROM
QA-MT4AA-GZ	1	Dig UNIX Alpha DOC F
QA-054AA-H8	1	SW LP PKG U/A CDRM/DOC
QL-MTKAE-AA	1	Dn-Plus EF U/A TRAD
QB-5SBAB-SA	1	SW U/A Lic/MCD/DOC
QB-5SBAB-SA	1	SW U/A Lic/MCD/DOC

Code	Quant.	Description
BN19C-2E	4	PowerCable 240V, C-Europe
BN21K-10	1	68HD SCSI cable 10m
BN38C-05	1	Ultra Cbl VHDCI - 68HD
BN39C-02	1	1.8 Video Extension Cable ****
DA-54KHC-DA	1	ASRV 1200 5/533 256MB DUNIX
DEFFPA-AB	1	PCI to FDDI SAS
DS-BA35X-HE	1	AC INPUT BOX BA370
DS-BA35X-HH	3	180W power supply Blu SBB
DS-HSSIM-AB	2	64MB Cache Upg for HSZ70
DS-HSZ70-AH	1	ULTRA 70 SCSI CONTRL 64MB CACH
DS-RZ1DD-VW	12	9.1GB 10000r UltraSCSI disk
DS-RZ1DF-VW	7	9.1GB 7200 UltraSCSI 16bit
DS-RZ1ED-VW	12	18.2GB 10000r UltraSCSI disk
DS-SWXRA-HC	1	RA7000 24SBB Pedestal Subsys
DS-TL891-NT	1	10 slot 1 TZ89 Min Lib TT FWD
DS-TL892-UA	1	Add-on Dr for DS-TL891-xx
KN307-DB	1	ASRV 1200 5/533 SMP UPG UNIX
KZPBA-CB	1	PCI to UltraSCSI Adapter UWdif
KZPCM-DA	1	Dual Uscsi with FastEther PCI
KZPSA-BB	1	PCI-HOST FWD Bus Adapter
MS300-DA	7	ASRV 1200 256MB MEMORY OPTION
PB2GA-JC	1	PCI GRAPHICS MOD, 1MB DRAM
QA-054AA-H8	1	SW LP PKG U/A CDRM/DOC
QA-MT4AA-GZ	1	Dig UNIX Alpha DOC Full
QA-MT4AA-H8	1	Dig UNIX Alpha CDROM
QA-5SBAB-SA	2	HSZ70 SW UNIX Alp LIC/MCD/DOC
QL-MTKAE-AA	1	Dn-Plus EF U/A TRAD LIC
SN-LKQ47-AF	1	102 KEY KYBD, NON-WIN, Finnish
SN-VRQV5-24	1	COMPAQ V55 CLR MON, NH, TCO95
TLZ10-LK	1	TLZ10 for AServr 800/1200/4000

Code	Quant.	Description
QA-MT4AA-H8	1	Dig UNIX Alpha CDROM
QA-MT4AA-GZ	1	Dig UNIX Alpha DOC F
QA-054AA-H8	1	SW LP PKG U/A CDRM/DOC
QL-MTKAE-AA	1	Dn-Plus EF U/A TRAD
BN19C-2E	4	PowerCable 240V, C-Europe
BN21K-02	1	68HD SCSI cable 2m
BN39C-02	1	1.8 Video Extension Cable ****
DA-54KHC-DA	1	ASRV 1200 5/533 256MB DUNIX
DE500-AA	1	PCI/FAST Ethernet, CAT 5 UTP
DEFFPA-AB	1	PCI to FDDI SAS
DS-RZ1DF-VW	7	9.1GB 7200 UltraSCSI 16bit
DS-TZ89N-TA	1	35/70GB SE DLT-tape TT FWSE
H8520-AA	1	UltraSCSI bus-slitter kit
KN307-DB	1	ASRV 1200 5/533 SMP UPG UNIX
KZPAC-CB	1	3 Chan. SCSI RAID 8MB UltraW
KZPBA-CA	1	PCI to UltraSCSI Adapter UWSE
KZPSC-UB	1	Battery Backup for KZPSC
MS300-DA	7	ASRV 1200 256MB MEMORY OPTION
PB2GA-JC	1	PCI GRAPHICS MOD, 1MB DRAM
QA-054AA-H8	1	SW LP PKG U/A CDRM/DOC
QA-MT4AA-GZ	1	Dig UNIX Alpha DOC Full
QA-MT4AA-H8	1	Dig UNIX Alpha CDROM
QL-MTKAE-AA	1	Dn-Plus EF U/A TRAD LIC
SN-LKQ47-AF	1	102 KEY KYBD, NON-WIN, Finnish
SN-VRQV5-24	1	COMPAQ V55 CLR MON, NH, TCO95
TLZ10-LK	1	TLZ10 for AServr 800/1200/4000

COMPAQ 31-Dec-1998 | GTAU121
www.digital.com/golden-eggs

AlphaServer 1200 UNIX systems
GOLDEN EGGS Visual Configurations, Helsinki

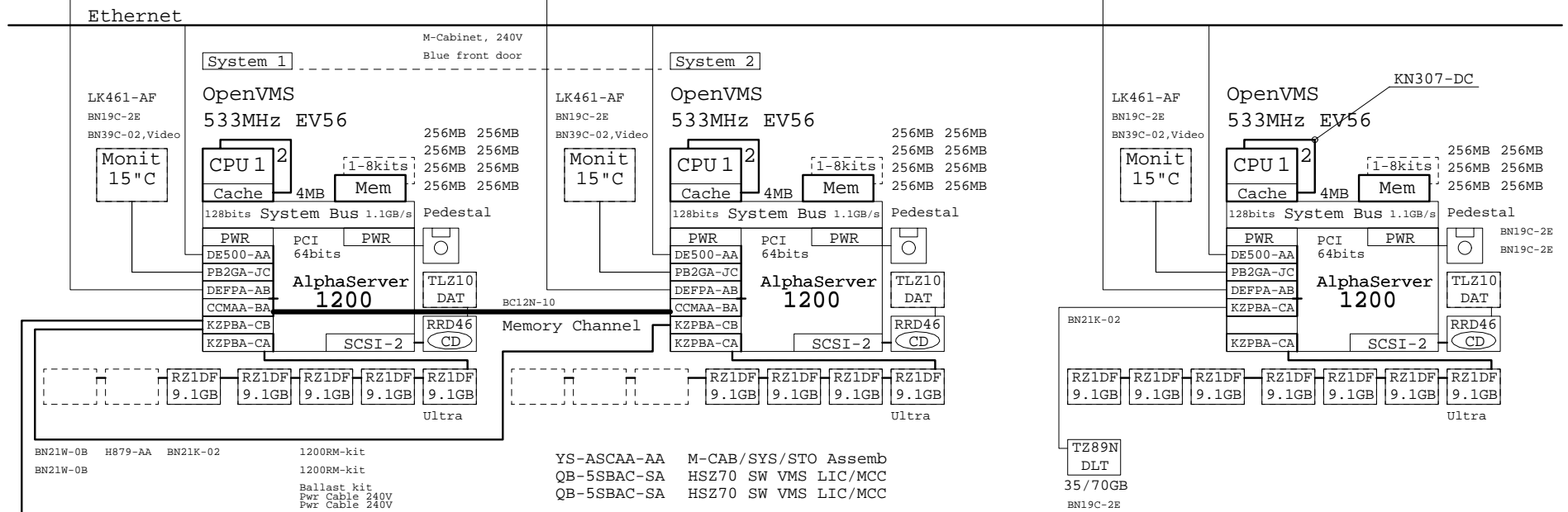
This configuration diagram is generated with fresh GOLDEN EGGS Software.
This template is included in the present GOLDEN EGGS Software kit.

1200

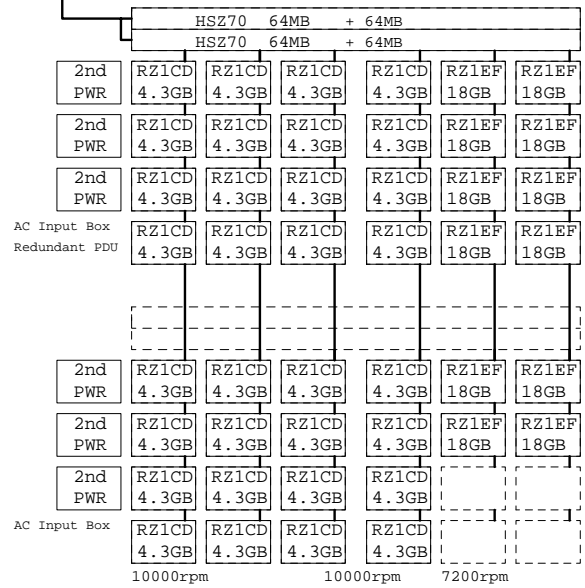
FDDI

1200 dual cluster

1200 single system



RAID ESA10000



Code	Quant.	Description
2T-R1200-AB	2	AS1200 Ped Sys RM-kit, blue
BC12N-10	1	PCI-RM link cable 68HD MEM CHA
BN19C-2E	2	PowerCable 240V, C-Europe
BN20Q-4E	2	PWRCORD, RM SYS->PDU, 240V, 15FT
BN21K-02	1	68HD SCSI cable 2m
BN21W-0B	2	Y SCSI-2 Cable 68 pins/6".15m
BN39C-02	2	1.8 Video Extension Cable ****
CCMAA-BA	2	Memory Channel Adapter
DE500-AA	2	PCI/FAST Ethernet, CAT 5 UTP
DEFFA-AB	2	PCI to FDDI SAS
DS-BA35X-HE	2	AC INPUT BOX BA370
DS-BA35X-HH	6	180W power supply Blu SBB
DS-HSSIM-AB	2	64MB Cache Upg for HSZ70
DS-RZ1CD-VW	32	4.3GB 10k RPM UltraSCSI W SBB
DS-RZ1DF-VW	9	9.1GB 7200 UltraSCSI 16bit
DS-RZ1EF-VW	12	18.2GB 7200 UltraSCSI Disk
DS-SW6XP-AB	1	PDU REDUNDANT FOR SW600 50HZ
DS-SWXES-AB	1	ESA GEN BUS BUILDING BLK 50HZ
DY-54KHC-DA	2	ASRV 1200 5/533 256MB OVMS
H879-AA	1	SCSI-3 Term - 68 pin Male
H9A10-MD	1	M-Series Cab, H9A10, Blue, 240V
H9C10-MC	1	Ballast Kit for cabinets
H9C10-TF	1	FrontDoorKit Blue for H9A10
KN307-DC	2	ASRV 1200 5/533 SMP UPG OVMS
KZPBA-CA	2	PCI to UltraSCSI Adapter UWSE
KZPBA-CB	2	PCI to UltraSCSI Adapter UWdif
LK461-AF	2	VMS STYLE KEYBOARD, Fin/Swed
MS300-DA	14	ASRV 1200 256MB MEMORY OPTION
PB2GA-JC	2	PCI GRAPHICS MOD, 1MB DRAM
QB-5SBAC-SA	2	HSZ70 SW VMS LIC/MCD/DOC
SN-VRQV5-24	2	COMPAQ V55 CLR MON, NH, TCO95
TLZ10-LK	2	TLZ10 for AServr 800/1200/4000
YS-ASCAA-AA	1	M-CAB/SYS/STO Assembly

Code	Quant.	Description
BN19C-2E	4	PowerCable 240V, C-Europe
BN21K-02	1	68HD SCSI cable 2m
BN39C-02	1	1.8 Video Extension Cable ****
DE500-AA	1	PCI/FAST Ethernet, CAT 5 UTP
DEFFA-AB	1	PCI to FDDI SAS
DS-RZ1DF-VW	7	9.1GB 7200 UltraSCSI 16bit
DS-TZ89N-TA	1	35/70GB SE DLT-tape TT FWSE
DY-54KHC-DA	1	ASRV 1200 5/533 256MB OVMS
KN307-DC	1	ASRV 1200 5/533 SMP UPG OVMS
KZPBA-CA	2	PCI to UltraSCSI Adapter UWSE
LK461-AF	1	VMS STYLE KEYBOARD, Fin/Swed
MS300-DA	5	ASRV 1200 256MB MEMORY OPTION
PB2GA-JC	1	PCI GRAPHICS MOD, 1MB DRAM
SN-VRQV5-24	1	COMPAQ V55 CLR MON, NH, TCO95
TLZ10-LK	1	TLZ10 for AServr 800/1200/4000

COMPAQ 31-Dec-1998 GTAV121
www.digital.com/golden-eggs

This configuration diagram is generated with fresh GOLDEN EGGS Software. This template is included in the present GOLDEN EGGS Software kit.

1200

AlphaServer 1200 OpenVMS systems
GOLDEN EGGS Visual Configurations, Helsinki

AlphaServer 4000 5/600 Systems

Order number	Operating system	Server systems, 64bits 600MHz
#1 DA-53LED -EA 512MB -FB 1GB -GB 2GB	DIGITAL UNIX	(Disk) RX,CD (NI SVGA)
DY-53LED -EA 512MB -FB 1GB -GB 2GB	OpenVMS	(Disk) RX,CD (NI SVGA)

#2 Select disk controller +cable
#3 Select Ethernet controller

#4 Pedestal enclosure + Disk

BA30P-AA	Pedestal 120V
BA30P-BA	Pedestal 240V
BA36R-SD	Single bus shelf
BA36R-SE	Split bus shelf
DS-RZ1DF-VW	Disk, 9.1GB

#4 Cabinet enclosure + Disk

H9A10-MC/MD	Cabinet 120V/240V
H9C10-TF	Cabinet front door
H9C10-MC	Ballast kit
BA36R-RC	Single-bus shelf
BA36R-RD	Split-bus shelf
DS-RZ1DF-VW	Disk, 9.1GB
CK-BA30A-BA/BB	Drawer-kit, US/Eur.
YS-ASCAA-AA	Factory integration

#5 SVGA color monitor

15" SN-VRQV5-24/23
17" SN-VRQP7-24/23
North/South
BN39C-02 2m ext.cable

#6 For 240V use, select keyboard and power cord

SN-LKQ47 UNIX	-AE GB	-AG G	-AM S	BN19C-2E Europe
SN-LKQ97 WNT	-AB B	-AH NL	-AN N	BN19A-2E GB
LK461 OVMS	-AD DK	-AI I	-AP F	BN19E-2E CH
	-AF FI	-AK CH	-AS E	BN19K-2E DK
				BN19Z-2E I

Internal options

Memory expansion

Memory 50ns	Memory 60ns
—	512MB MS330-EA
MS332-FA	1GB MS330-FA
MS332-GA	2GB MS330-GA

Internal storage

Tape storage

DS-TZ89N-VW 35/70GB DLT tape drive

Disk storage

DS-RZ1CF-VW 4.3GB UltraSCSI disk

DS-RZ1DF-VW 9.1GB UltraSCSI disk

DS-RZ1EF-VW 18GB UltraSCSI disk

KZPBA-CA	UltraSCSI SE adapter
BN38C-02	2m SCSI cable, 68HD-VHDCI
KZPCM-DA	Dual UltraSCSI+ Ethernet
BN37A-02	2m SCSI cable, VHDCI-VHDC

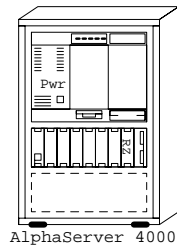
KZPAC-CB	RAID 3-port, 8MB cache
KZPSC-UB	Cache battery
KZPAC-SB	Dual cable bulkhead
BN37A-02	2m SCSI cable VHDCI-VHDCI

Additional CPUs, Total: 2

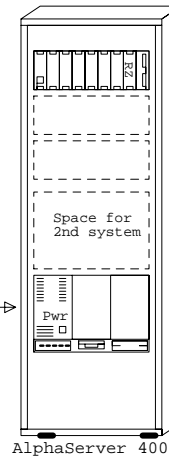
UNIX	KN306-AB	600MHz
OVMS	KN306-AC	600MHz

Power supplies

H7291-AA	2nd, 3rd CPU pwr
CK-BA35X-HH	2nd disk power



AlphaServer 4000



AlphaServer 4000

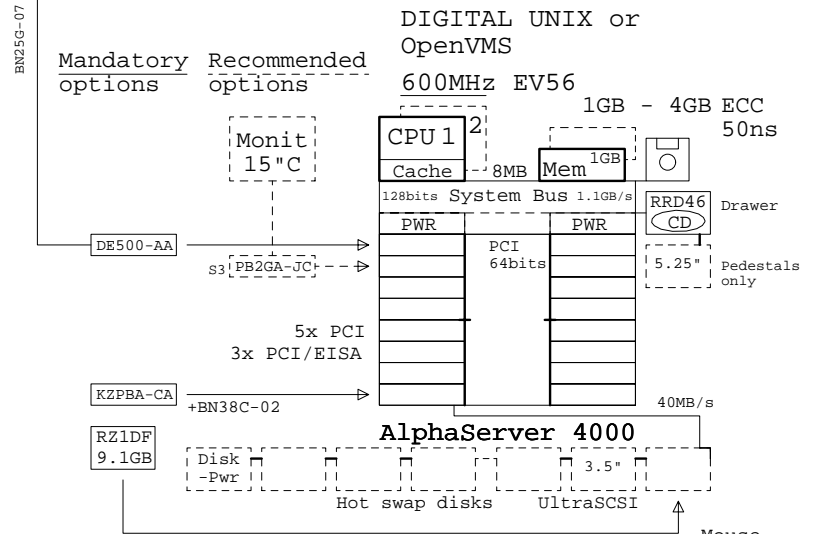
Controllers

DE504-BA	Fast Ethernet, Quad
DEFPA-AB	FDDI adapter, SAS MMF
PBXNP-AA	Token ring adapter
KFPASA-AA	DSSI controller
CIPCA-BA	CI controller

External options

Tape storage

DS-TL891-NT	10 cartridge DLT Lib
BN21K-05	5m SCSI cable, FWD
BN19C-2E	Power cord, Europe
KZPSA-BB	SCSI controller, FWD



Licenses included:

- DIGITAL UNIX V4.0d, Base license, Unlimited User license, Server Extension license, and Internet Access Software license and Netscape's Enterprise Server 3.0.
- OpenVMS V7.1-1H2, Base license and DIGITAL Enterprise Integration Package.

	@600MHz
SPECint95	18.8
SPECfp95	29.2
SPECweb96	xx
TPC	yyy@\$x

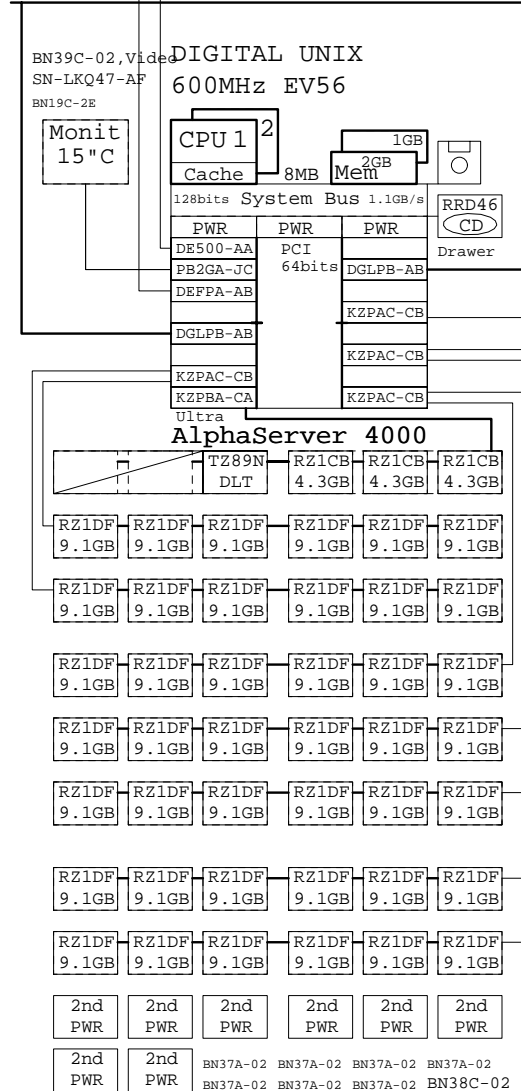
Software Processor Code: G

COMPAQ	02-Jan-1999	GEA40B
	www.digital.com/golden-eggs	

AlphaServer 4000 5/600 Systems
GOLDEN EGGS Visual Configurations, Helsinki

FDDI
Ethernet
ATM

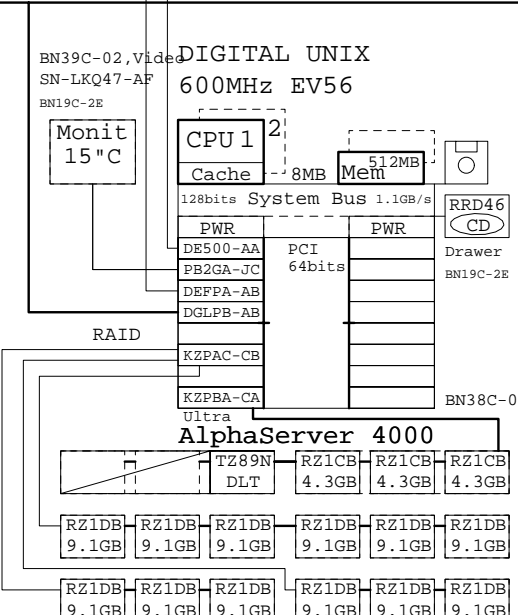
4000 media I/O server



Code	Quant.	Description
BA36R-RC	8	RH ULTRASCSCI SHELF CAB SINGLE
BN19C-2E	1	PowerCable 240V, C-Europe
BN37A-02	7	Ultra Cbl VHDCI - VHDCI
BN38C-02	1	Ultra Cbl VHDCI - 68HD
BN39C-02	1	1.8 Video Extension Cable ****
CK-BA30A-BB	1	CAB DRAWER KIT W/SLIDERS 240V
CK-BA35X-HH	8	180W Stor.Shelf PWR for AS4x00
DA-53LED-GB	1	AS4000 5/600 DRW UNX 2GB 16 SL
DE500-AA	1	PCI/FAST Ethernet, CAT 5 UTP
DEFFPA-AB	1	PCI to FDDI SAS
DGLPB-AB	2	ATM Adapter
DS-RZ1CB-VW	3	4,3GB 7200 UltraSCSI Disk
DS-RZ1DF-VW	42	9.1GB 7200 UltraSCSI 16bit
DS-TZ89N-VW	1	35/70GB SE DLT-tape StorageWor
H7291-AA	1	AS4XXX POWER SUPPLY
H9A10-EH	1	1.7Mtr, Cab, Dual pwr Europe
H9A10-MD	1	M-Series Cab,H9A10,Blue,240V
H9C10-MC	1	Ballast Kit for cabinets
H9C10-TF	1	FrontDoorKit Blue for H9A10
KN306-AB	1	AS 4x00 600MHz UNX SMP UPG
KZPAC-CB	4	3 Chan. SCSI RAID 8MB UltraW
KZPBA-CA	1	PCI to UltraSCSI Adapter UWSE
MS332-FA	1	AS4100 1GB MEMORY OPTION 50NS
PB2GA-JC	1	PCI GRAPHICS MOD, 1MB DRAM
SN-LKQ47-AF	1	102 KEY KYBD, NON-WIN, Finnish
SN-VRQV5-24	1	COMPAQ V55 CLR MON,NH,TC095
YS-ASCAA-AA	1	M-CAB/SYS/STO Assembly

YS-ASCAA-AA M-CAB/SYS/STO Assemb
M-Cabinet
240V
Blue front door
Ballast kit
Drawer Kit 240V

4000 single system



Code	Quant.	Description
BA30P-BA	1	AS4100 Ped Kit for Europe
BA36R-SD	2	RH ULTRASCSCI SHELF PED SINGLE
BA36R-SE	1	RH ULTRASCSCI SHELF PED SPLITB
BN19C-2E	2	PowerCable 240V, C-Europe
BN37A-02	3	Ultra Cbl VHDCI - VHDCI
BN38C-02	1	Ultra Cbl VHDCI - 68HD
BN39C-02	1	1.8 Video Extension Cable ****
DA-53LED-EA	1	AS4000 5/600 DRW UNX 512 16 SL
DE500-AA	1	PCI/FAST Ethernet, CAT 5 UTP
DEFFPA-AB	1	PCI to FDDI SAS
DGLPB-AB	1	ATM Adapter
DS-RZ1CB-VW	3	4,3GB 7200 UltraSCSI Disk
DS-RZ1DB-VW	12	9.1GB 7200 UltraSCSI Disk
DS-TZ89N-VW	1	35/70GB SE DLT-tape StorageWor
KZPAC-CB	1	3 Chan. SCSI RAID 8MB UltraW
KZPAC-SB	1	Dual bulk head
KZPBA-CA	1	PCI to UltraSCSI Adapter UWSE
KZPSC-UB	1	Battery Backup for KZPSC
PB2GA-JC	1	PCI GRAPHICS MOD, 1MB DRAM
SN-LKQ47-AF	1	102 KEY KYBD, NON-WIN, Finnish
SN-VRQV5-24	1	COMPAQ V55 CLR MON,NH,TC095

Pedestal 240V

COMPAQ 02-Jan-1999 | GTAU401
www.digital.com/golden-eggs

This configuration diagram is generated with fresh GOLDEN EGGS Software.
This template is included in the present GOLDEN EGGS Software kit.

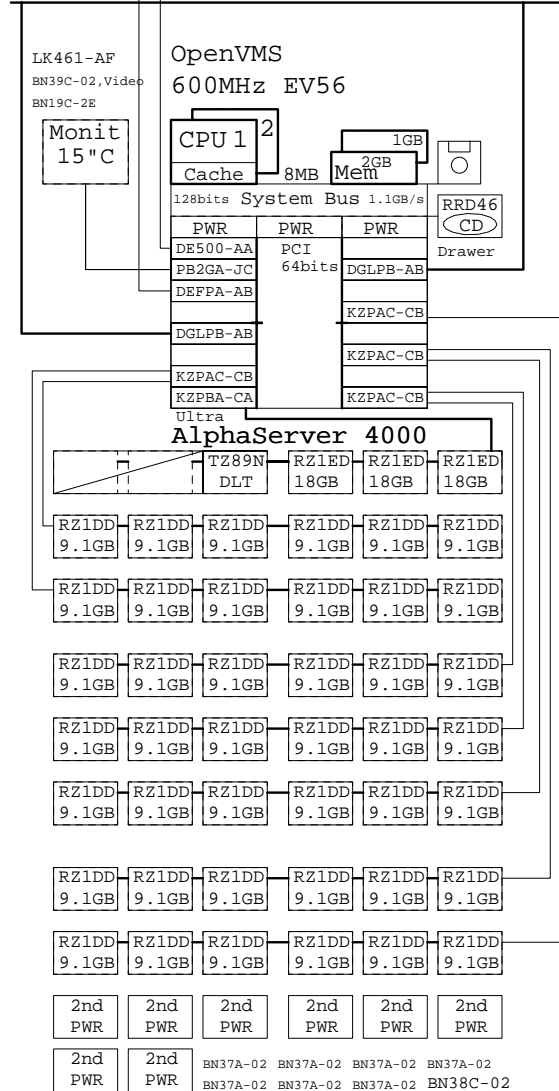
4000

AlphaServer 4000 UNIX systems
GOLDEN EGGS Visual Configurations, Helsinki

FDDI
Ethernet
ATM

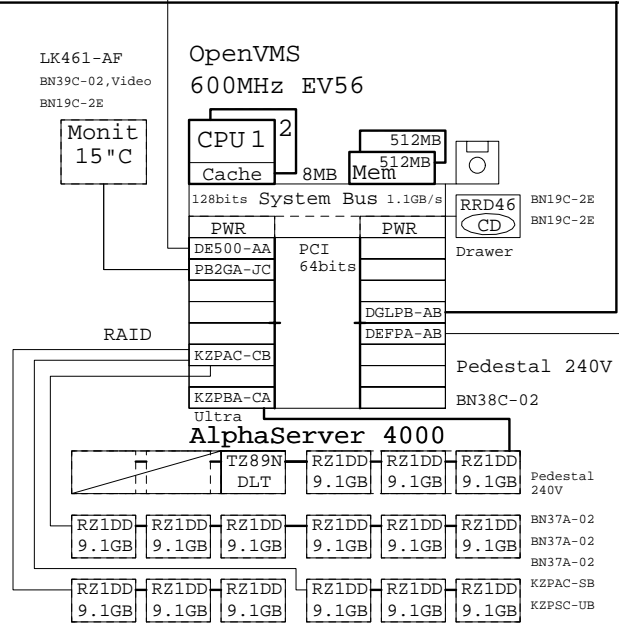
4000 media I/O server

4000 pedestal system



QL-MT3AA-3H OpenVMS Conc 64 Lic
 QA-001AA-GZ OVMS Full Documentat
 QA-03XAA-H8 SW LP PKG V/A DOC CD
 QA-MT1AD-H8 OVMS Alpha Base V7.1
 QL-2A1AE-AA Vol Shad V/A Lic
 QL-MTHAE-AA DECnet/OSI EFU V/A L

Code	Quant.	Description
BA36R-RC	8	RH ULTRASCSI SHELF CAB SINGLE
BN19C-2E	1	PowerCable 240V, C-Europe
BN37A-02	7	Ultra Cbl VHDCI - VHDCI
BN38C-02	1	Ultra Cbl VHDCI - 68HD
BN39C-02	1	1.8 Video Extension Cable ****
CK-BA30A-BB	1	CAB DRAWER KIT W/SLIDERS 240V
CK-BA35X-HH	8	180W Stor.Shelf PWR for AS4x00
DE500-AA	1	PCI/FAST Ethernet, CAT 5 UTP
DEFFPA-AB	1	PCI to FDDI SAS
DGLPB-AB	2	ATM Adapter
DS-RZ1DD-VW	42	9.1GB 10000r UltraSCSI disk
DS-RZ1ED-VW	3	18.2GB 10000r UltraSCSI disk
DS-TZ89N-VW	1	35/70GB SE DLT-tape StorageWor
DY-53LED-GA	1	AS4000 5/600 DRW VMS 2GB 16 SL
H7291-AA	1	AS4XXX POWER SUPPLY
H9A10-MD	1	M-Series Cab,H9A10,Blue,240V
H9C10-MC	1	Ballast Kit for cabinets
H9C10-TF	1	FrontDoorKit Blue for H9A10
KN306-AC	1	AS 4x00 600MHz VMS SMP UPG
KZPAC-CB	4	3 Chan. SCSI RAID 8MB UltraW
KZPBA-CA	1	PCI to UltraSCSI Adapter UWSE
LK461-AF	1	VMS STYLE KEYBOARD, Fin/Swed
MS332-FA	1	AS4100 1GB MEMORY OPTION 50NS
PB2GA-JC	1	PCI GRAPHICS MOD, 1MB DRAM
QA-001AA-GZ	1	OVMS Full Documentation
QA-03XAA-H8	1	SW LP PKG V/A DOC CDROM
QA-MT1AD-H8	1	OVMS Alpha Base V7.1-1H2 CD
QL-2A1AE-AA	1	Vol Shad V/A Lic
QL-MT3AA-3H	1	OpenVMS Conc 64 Lic
QL-MTHAE-AA	1	DECnet/OSI EFU V/A License
SN-VRQV5-24	1	COMPAQ V55 CLR MON,NH,TCO95
YS-ASCAA-AA	1	M-CAB/SYS/STO Assembly



Code	Quant.	Description
BA30P-BA	1	AS4100 Ped Kit for Europe
BA36R-SD	2	RH ULTRASCSI SHELF PED SINGLE
BA36R-SE	1	RH ULTRASCSI SHELF PED SPLITB
BN19C-2E	3	PowerCable 240V, C-Europe
BN37A-02	3	Ultra Cbl VHDCI - VHDCI
BN38C-02	1	Ultra Cbl VHDCI - 68HD
BN39C-02	1	1.8 Video Extension Cable ****
DE500-AA	1	PCI/FAST Ethernet, CAT 5 UTP
DEFFPA-AB	1	PCI to FDDI SAS
DGLPB-AB	1	ATM Adapter
DS-RZ1DD-VW	15	9.1GB 10000r UltraSCSI disk
DS-TZ89N-VW	1	35/70GB SE DLT-tape StorageWor
DY-53LED-EA	1	AS4000 5/600 DRW VMS 512 16 SL
KN306-AC	1	AS 4x00 600MHz VMS SMP UPG
KZPAC-CB	1	3 Chan. SCSI RAID 8MB UltraW
KZPAC-SB	1	Dual bulk head
KZPBA-CA	1	PCI to UltraSCSI Adapter UWSE
KZPSC-UB	1	Battery Backup for KZPSC
LK461-AF	1	VMS STYLE KEYBOARD, Fin/Swed
MS330-EA	1	AS4xxx 512MB MEMORY OPTI 60NS
PB2GA-JC	1	PCI GRAPHICS MOD, 1MB DRAM
QA-001AA-GZ	1	OVMS Full Documentation
QA-03XAA-H8	1	SW LP PKG V/A DOC CDROM
QA-MT1AD-H8	1	OVMS Alpha Base V7.1-1H2 CD
QL-2A1AE-AA	1	Vol Shad V/A Lic
QL-MT3AA-3H	1	OpenVMS Conc 64 Lic
QL-MTHAE-AA	1	DECnet/OSI EFU V/A License
SN-VRQV5-24	1	COMPAQ V55 CLR MON,NH,TCO95

YS-ASCAA-AA M-CAB/SYS/STO Assemb
 Drawer Kit 240V
 M-Cabinet
 240V
 Blue front door
 Ballast kit

COMPAQ 02-Jan-1999 GTAV401
www.digital.com/golden-eggs

This configuration diagram is generated with fresh GOLDEN EGGS Software.
 This template is included in the present GOLDEN EGGS Software kit.

4000 AlphaServer 4000 OpenVMS systems
 GOLDEN EGGS Visual Configurations, Helsinki

AlphaServer 4100 5/600 Systems

Order number	Operating system	Server systems, 64bits 600MHz
#1 DA-51LAD	DIGITAL UNIX	(Disk) RX,CD (NI SVGA)
DY-51LAD	OpenVMS	(Disk) RX,CD (NI SVGA)

#2 Select disk controller +cable	#4 Cabinet enclosure + Disk
#3 Select Ethernet controller	H9A10-MC/MD Cabinet 120V/240V
#4 Pedestal enclosure + Disk	H9C10-TF Cabinet front door
BA30P-AA Pedestal 120V	H9C10-MC Ballast kit
BA30P-BA Pedestal 240V	BA36R-RC Single-bus shelf
BA36R-SD Single bus shelf	BA36R-RD Split-bus shelf
BA36R-SE Split bus shelf	DS-RZ1DF-VW Disk, 9.1GB
DS-RZ1DF-VW Disk, 9.1GB	CK-BA30A-BA/BB Drawer-kit, US/Eur.
	YS-ASCAA-AA Factory integration

#5 SVGA color monitor	#6 For 240V use, select keyboard and power cord
15" SN-VRQV5-24/23	SN-LKQ47 UNIX -AE GB -AG G -AM S BN19C-2E Europe
17" SN-VRQP7-24/23	SN-LKQ97 -AB B -AH NL -AN N BN19A-2E GB
North/South	WNT -AD DK -AI I -AP F BN19E-2E CH
BN39C-02 2m ext.cable	LK461 -AF FI -AK CH -AS E BN19K-2E DK
	OVMS BN19Z-2E I

Internal options

Memory expansion

Memory 50ns	Memory 60ns
MS332-FA 1GB	MS330-FA
MS332-GA 2GB	MS330-GA

Internal storage

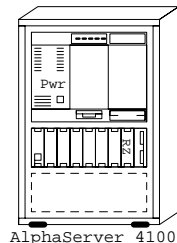
Tape storage	
DS-TZ89N-VW	35/70GB DLT tape drive
Disk storage	
DS-RZ1CF-VW	4.3GB UltraSCSI disk
DS-RZ1DF-VW	9.1GB UltraSCSI disk
DS-RZ1EF-VW	18GB UltraSCSI disk
KZPBA-CA	UltraSCSI SE adapter
BN38C-02	2m SCSI cable, 68HD-VHDCI
KZPCM-DA	Dual UltraSCSI+ Ethernet
BN37A-02	2m SCSI cable, VHDCI-VHDC
KZPAC-CB	RAID 3-port, 8MB cache
KZPSC-UB	Cache battery
KZPAC-SB	Dual cable bulkhead
BN37A-02	2m SCSI cable VHDCI-VHDCI

Additional CPUs, Total: 4

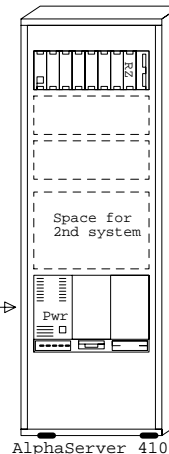
UNIX	KN306-AB	600MHz
OVMS	KN306-AC	600MHz

Power supplies

H7291-AA	2nd, 3rd CPU pwr
CK-BA35X-HH	2nd disk power



AlphaServer 4100



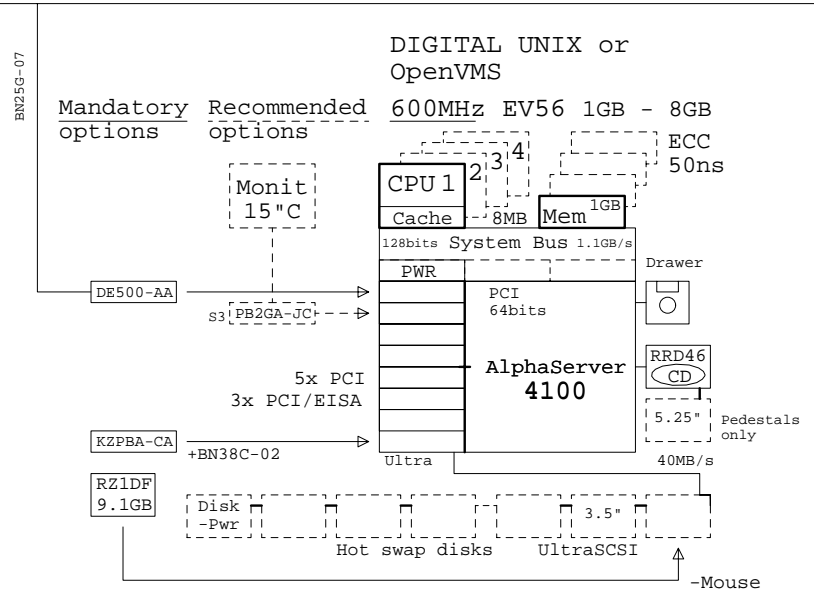
AlphaServer 4100

Controllers

DE504-BA	Fast Ethernet, Quad
DEFPA-AB	FDDI adapter, SAS MMF
PBXNP-AA	Token ring adapter
KFPASA-AA	DSSI controller
CIPCA-BA	CI controller

External options

Tape storage	
DS-TL891-NT	10 cartridge DLT Lib
BN21K-05	5m SCSI cable, FWD
BN19C-2E	Power cord, Europe
KZPSA-BB	SCSI controller, FWD



Licenses included:

- DIGITAL UNIX V4.0d, Base license, Unlimited User license, Server Extension license, and Internet Access Software license and Netscape's Enterprise Server 3.0.
- OpenVMS V7.1-1H2, Base license and DIGITAL Enterprise Integration Package.

	@600MHz
SPECint95	18.8
SPECfp95	29.2
SPECweb96	4587
TPC	15.100@80

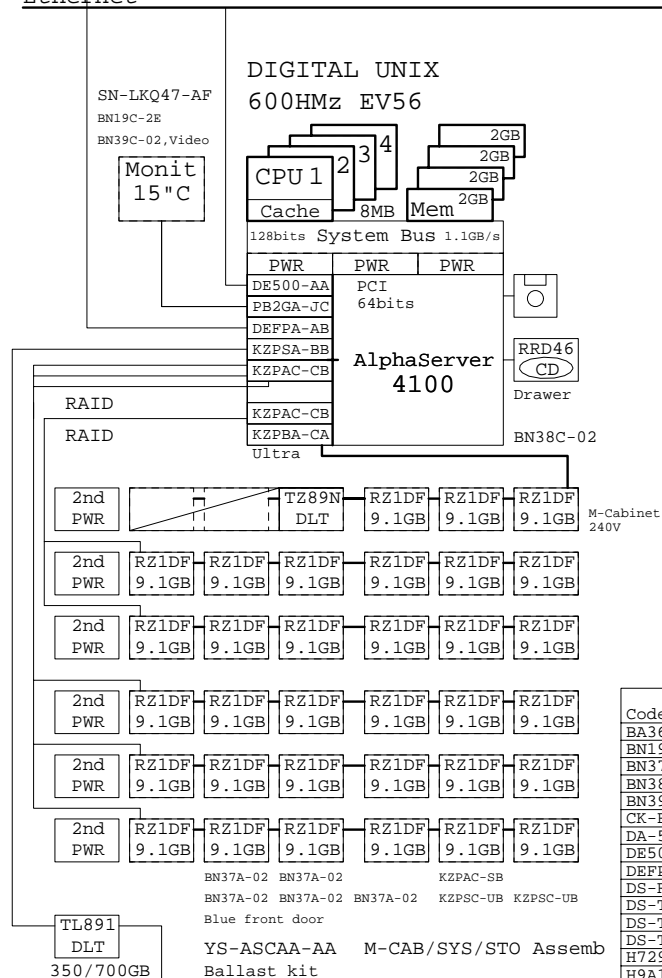
Software Processor Code: G

COMPAQ	02-Jan-1999	GEA41C
	www.digital.com/golden-eggs	

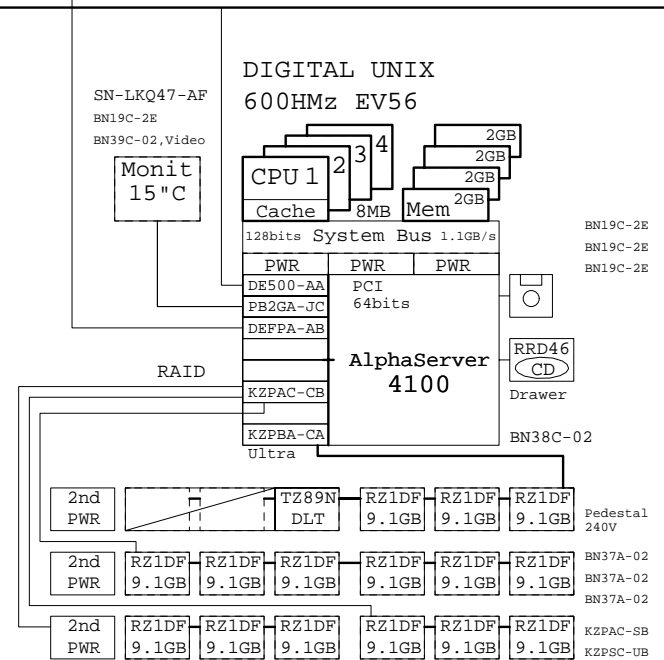
AlphaServer 4100 5/600 Systems
GOLDEN EGGS Visual Configurations, Helsinki

FDDI Ethernet 4100 cabinet system

4100 pedestal system



QA-054AA-H8 SW LP PKG U/A CDRM/D
 QA-MT4AA-GZ Dig UNIX Alpha DOC F
 QA-MT4AA-H8 Dig UNIX Alpha CDROM
 QL-MTKAE-AA Dn-Plus EF U/A TRAD



Code	Quant.	Description
BA36R-RC	6	RH ULTRASCSI SHELF CAB SINGLE
BN19C-2E	1	PowerCable 240V, C-Europe
BN37A-02	5	Ultra Cbl VHDCI - VHDCI
BN38C-02	1	Ultra Cbl VHDCI - 68HD
BN39C-02	1	1.8 Video Extension Cable ****
CK-BA35X-HH	6	180W Stor.Shelf PWR for AS4x00
DA-51LAD-GB	1	AS 4100 5/600 DRW UNX 2GB
DE500-AA	1	PCI/FAST Ethernet, CAT 5 UTP
DEFPPA-AB	1	PCI to FDDI SAS
DS-RZ1DF-VW	33	9.1GB 7200 UltraSCSI 16bit
DS-TL891-NE	1	10 slot 1 TZ89 Min Lib RM FWD
DS-TL892-UA	1	Add-on Dr for DS-TL891-xx
DS-TZ89N-VW	1	35/70GB SE DLT-tape StorageWor
H7291-AA	2	AS4XXX POWER SUPPLY
H9A10-MD	1	M-Series Cab,H9A10,Blue,240V
H9C10-MC	1	Ballast Kit for cabinets
H9C10-TF	1	FrontDoorKit Blue for H9A10
KN306-AB	3	AS 4x00 600MHz UNX SMP UPG
KZPAC-CB	2	3 Chan. SCSI RAID 8MB UltraW
KZPAC-SB	1	Dual bulk head
KZPBA-CA	1	PCI to UltraSCSI Adapter UWSE
KZPSA-BB	1	PCI-HOST FWD Bus Adapter
KZPSC-UB	2	Battery Backup for KZPSC
MS332-GA	3	AS4100 2GB MEMORY OPTION 50NS
PB2GA-JC	1	PCI GRAPHICS MOD, 1MB DRAM
QA-054AA-H8	1	SW LP PKG U/A CDRM/DOC
QA-MT4AA-GZ	1	Dig UNIX Alpha DOC Full
QA-MT4AA-H8	1	Dig UNIX Alpha CDROM
QL-MTKAE-AA	1	Dn-Plus EF U/A TRAD LIC
SN-LKQ47-AF	1	102 KEY KYBD, NON-WIN, Finnish
SN-VRQV5-24	1	COMPAQ V55 CLR MON,NH,TC095

Code	Quant.	Description
BA36R-RC	6	RH ULTRASCSI SHELF CAB SINGLE
BN19C-2E	1	PowerCable 240V, C-Europe
BN37A-02	5	Ultra Cbl VHDCI - VHDCI
BN38C-02	1	Ultra Cbl VHDCI - 68HD
BN39C-02	1	1.8 Video Extension Cable ****
CK-BA35X-HH	6	180W Stor.Shelf PWR for AS4x00
DA-51LAD-GB	1	AS 4100 5/600 DRW UNX 2GB
DE500-AA	1	PCI/FAST Ethernet, CAT 5 UTP
DEFPPA-AB	1	PCI to FDDI SAS
DS-RZ1DF-VW	33	9.1GB 7200 UltraSCSI 16bit
DS-TL891-NE	1	10 slot 1 TZ89 Min Lib RM FWD
DS-TL892-UA	1	Add-on Dr for DS-TL891-xx
DS-TZ89N-VW	1	35/70GB SE DLT-tape StorageWor
H7291-AA	2	AS4XXX POWER SUPPLY
H9A10-MD	1	M-Series Cab,H9A10,Blue,240V
H9C10-MC	1	Ballast Kit for cabinets
H9C10-TF	1	FrontDoorKit Blue for H9A10
KN306-AB	3	AS 4x00 600MHz UNX SMP UPG
KZPAC-CB	2	3 Chan. SCSI RAID 8MB UltraW
KZPAC-SB	1	Dual bulk head
KZPBA-CA	1	PCI to UltraSCSI Adapter UWSE
KZPSA-BB	1	PCI-HOST FWD Bus Adapter
KZPSC-UB	2	Battery Backup for KZPSC
MS332-GA	3	AS4100 2GB MEMORY OPTION 50NS
PB2GA-JC	1	PCI GRAPHICS MOD, 1MB DRAM
QA-054AA-H8	1	SW LP PKG U/A CDRM/DOC
QA-MT4AA-GZ	1	Dig UNIX Alpha DOC Full
QA-MT4AA-H8	1	Dig UNIX Alpha CDROM
QL-MTKAE-AA	1	Dn-Plus EF U/A TRAD LIC
SN-LKQ47-AF	1	102 KEY KYBD, NON-WIN, Finnish
SN-VRQV5-24	1	COMPAQ V55 CLR MON,NH,TC095
YS-ASCAA-AA	1	M-CAB/SYS/STO Assembly

COMPAQ 02-Jan-1999 GTAU411
 www.digital.com/golden-eggs

This configuration diagram is generated with fresh GOLDEN EGGS Software.
 This template is included in the present GOLDEN EGGS Software kit.

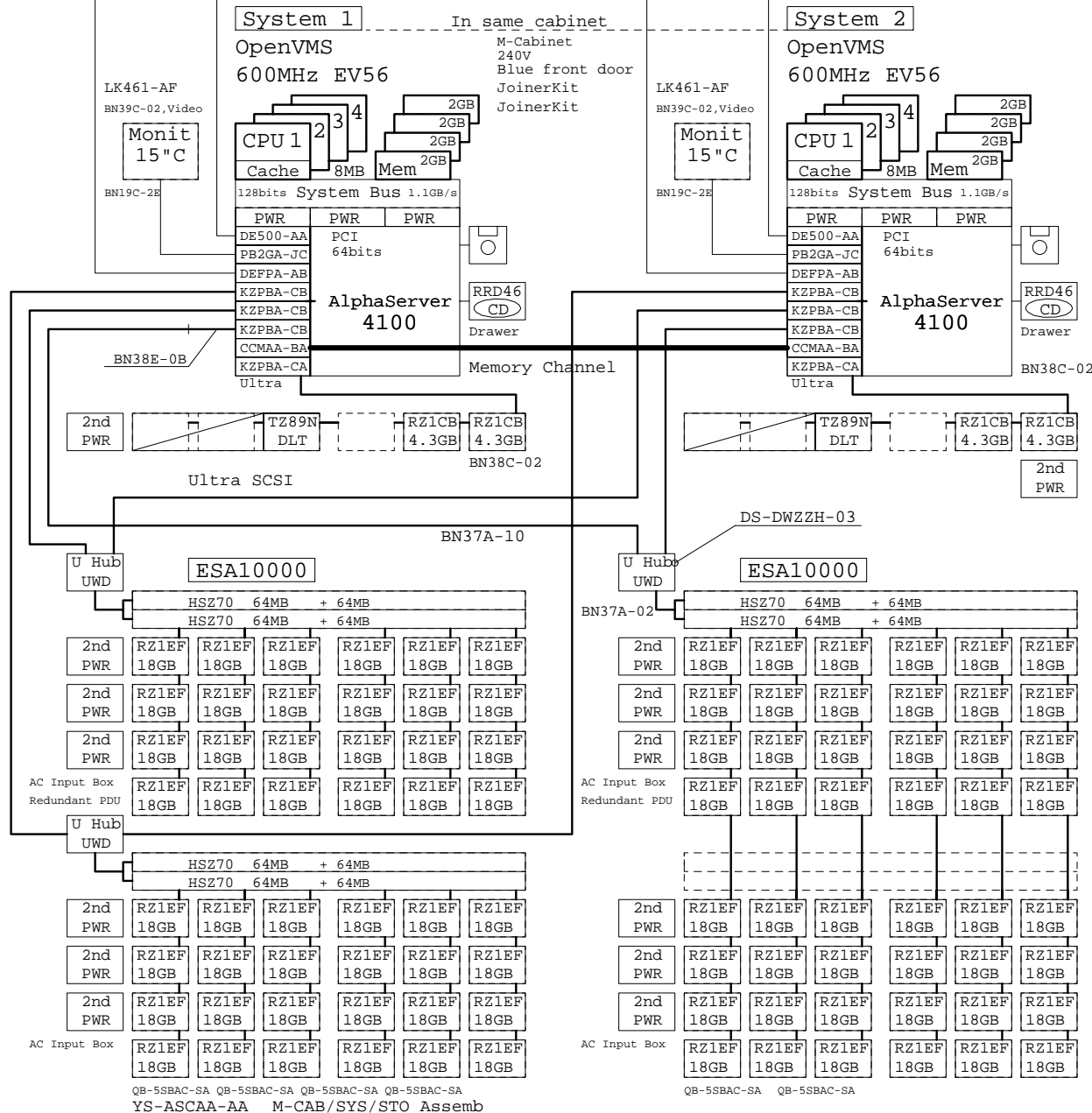
4100

AlphaServer 4100 UNIX systems
 GOLDEN EGGS Visual Configurations, Helsinki

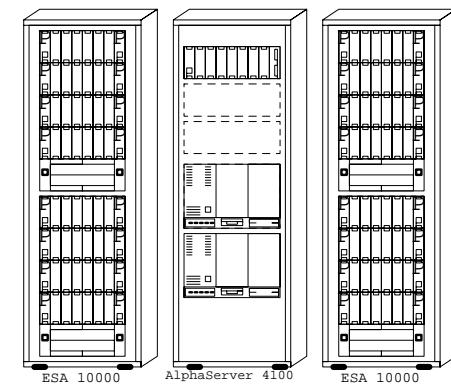
AlphaServer 4100 OpenVMS Cluster

FDDI

Ethernet



Code	Quant.	Description
BA36R-RC	2	RH ULTRASCASI SHELF CAB SINGLE
BN19C-2E	2	PowerCable 240V, C-Europe
BN38C-02	2	Ultra Cbl VHDCI - 68HD
BN39C-02	2	1.8 Video Extension Cable ****
CCMAA-BA	2	Memory Channel Adapter
CK-BA35X-HH	2	180W Stor.Shelf PWR for AS4x00
DE500-AA	2	PCI/FAST Ethernet, CAT 5 UTP
DEFPA-AB	2	PCI to FDDI SAS
DS-BA35X-HE	4	AC INPUT BOX BA370
DS-BA35X-HH	12	180W power supply Blu SBB
DS-DWZZH-03	3	Uscsi Act hub 0 SE:3/Dif 3.5"
DS-HSSIM-AB	6	64MB Cache Upg for HSZ70
DS-RZ1CB-VW	4	4,3GB 7200 UltraSCSI Disk
DS-RZ1EF-VW	96	18.2GB 7200 UltraSCSI Disk
DS-SW6XP-AB	2	PDU REDUNDANT FOR SW600 50HZ
DS-SWXES-AB	1	ESA GEN BUS BUILDING BLK 50HZ
DS-SWXES-BB	1	ESA HIGH BW BUILDING BLK 50HZ
DS-TZ89N-VW	2	35/70GB SE DLT-tape StorageWor
DY-51LAD-GB	2	AS 4100 5/600 DRW VMS 2GB
H7291-AA	4	AS4XXX POWER SUPPLY
H9A10-MD	1	M-Series Cab,H9A10,Blue,240V
H9C10-JC	2	JOINER KIT FOR H9A10 BLUE
H9C10-TF	1	FrontDoorKit Blue for H9A10
KN306-AC	6	AS 4x00 600MHz VMS SMP UPG
KZPBA-CA	2	PCI to UltraSCSI Adapter UWSE
KZPBA-CB	6	PCI to UltraSCSI Adapter UWDif
LK461-AF	2	VMS STYLE KEYBOARD, Fin/Swed
MS332-GA	6	AS4100 2GB MEMORY OPTION 50NS
PB2GA-JC	2	PCI GRAPHICS MOD, 1MB DRAM
QB-5SBAC-SA	6	HSZ70 SW VMS LIC/MCD/DOC
SN-VRQV5-24	2	COMPAQ V55 CLR MON,NH,TC095
YS-ASCAA-AA	1	M-CAB/SYS/STO Assembly



BN38E-0B BN37A-10 BN37A-02
Drawer Kit 240V BN38E-0B BN37A-10 BN37A-02
Drawer Kit 240V BC12N-10 BN38E-0B BN37A-10 BN37A-02

COMPAQ 02-Jan-1999 GTAV412
www.digital.com/golden-eggs

This configuration diagram is generated with fresh GOLDEN EGGS Software.
This template is included in the present GOLDEN EGGS Software kit.

4100

AlphaServer 4100 OpenVMS Cluster
GOLDEN EGGS Visual Configurations, Helsinki

Dear GOLDEN EGGS Printer,

This is the last page for Electric GOLDEN EGGS of 19-Aug-1999.

The last "real page" was GTAV412 AS4100 OpenVMS Cluster.

Please, stay tuned on this Electric GOLDEN EGGS channel.
More fresh pages are to come in my next E-mails.....

I wish you good Alpha selling season,

Matti.Patari@Compaq.com , Helsinki Finland
Tel: 358-20412-3040