

# AlphaServer 2100 5/250 Systems

Order Number	Operating System	Server Systems, 64Bits 250MHz
#1 DN-253P1-K9	Windows NT Server	512MB RX,CD 2.1GB NI SVGA
DA-253P1-K9	Digital UNIX	512MB RX,CD 2.1GB NI SVGA
DY-253P1-K9	OpenVMS	512MB RX,CD 2.1GB NI SVGA

2= 4/275  
4= 5/300

For 240V Use, Select Power Cord and Keyboard.

#2	1x <b>BN19C-2E</b> EUROPE	<b>BN19A-2E</b> GB	<b>BN19K-2E</b> DK	<b>BN19M-2E</b> I
		<b>BN19E-2E</b> CH	<b>BN18L-2E</b> IL	<b>BN19S-2E</b> India

Keyboard	SVGA Color Monitor
#3 <b>LK471</b> -AE GB -AH NL -AN N NT/UNIX -AB B -AI I -AP F	Monitor VRC15-KA 15"
#4 <b>LK461</b> -AD DK -AK CHF -AS E OVMS -AF FI -AL CHG -AT IL -AG D -AM S -AV P	Monitor VRT17-PA 17" VRC21-PA 21"

## Internal Options:

SMP:	1-4 CPU module 250MHz	470NR-AA NT 470AR-AA UNIX 470YR-AA OVMS
------	-----------------------	---

## Memory Expansion

MS451-DA 128MB		Max Memory 4x 512MB = 2GB
MS451-FA 512MB		

## Internal Storage

Tape	
TLZ07-LG	8GB DAT tape drive
Wide disks	
RZ26L-VW	1.05GB hard disk, wide
RZ28M-VW	2.1GB hard disk, wide
RZ29B-VW	4.3GB hard disk, wide
KZPSC-BA	RAID 3-port PCI-controller, wide
BC25T-3L	Order 1 or 2 SCSI-cable, wide

## Controllers

KZPSA-BB	PCI-based Fast-Wide-Differential SCSI
BN21W-0B	Flexible Y-cable for ext. terminator
H879-A	External FWD-terminator
BN21K-03	FWD SCSI cable
KFESB-AA	DSSI EISA-controller, OpenVMS
KFPSA-AA	PCI-based DSSI controller, OpenVMS
BC29S-09	DSSI cable
CIPCA-AA	PCI-based CI-controller, OpenVMS
DEFPA-AA	FDDI PCI, single attachment
DEFEA-AA	FDDI EISA, single attachment
DE43S-AA	PCI-based Ethernet controller
DE42S-AA	EISA-based Ethernet controller
DNSES-AA	Synchronous coms. EISA

## Licenses included per system type:

- Windows NT Server + 5-client access, V3.51 media kit.
- Digital UNIX 2-user base license, NAS BASE SERVER 200 license
- OpenVMS base license + system manager license, NAS BASE SERVER 200 license

## External Options:

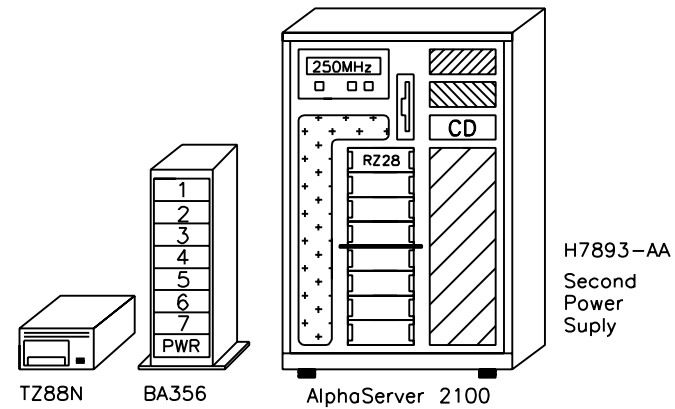
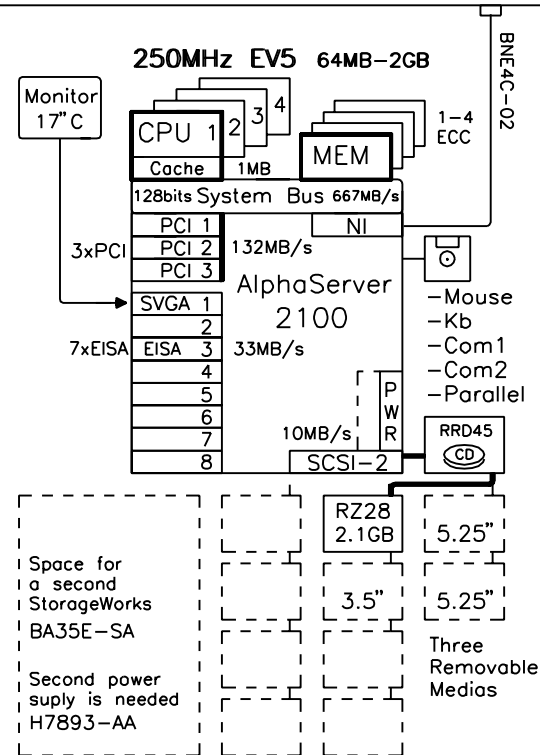
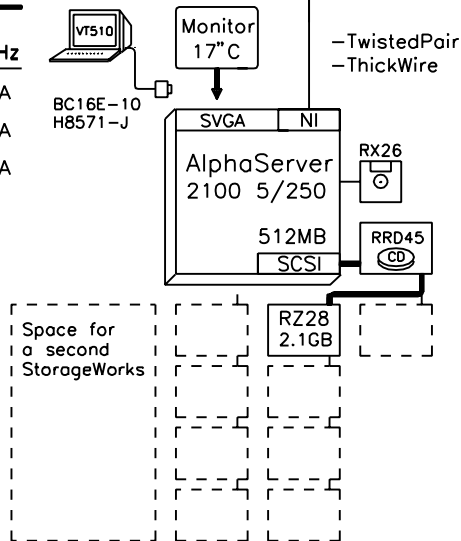
### Tape

TZ88N-TA	40GB tape drive, table top
SZ107-AA/AB	140GB DLT-tape with loader
BN23G-01	SCSI-cable, narrow
BN19C-2E	PowerCable, European
KZPAA-AA	Recommended controller, narrow

### Wide disks

KZPSC-BA	RAID 3-port PCI-controller, wide
BN31S-1E	Order 1 or 2 SCSI cables, wide
BA356-KC	StorageWorks pedestal, wide
BN19C-2E	Power cable, European
RZ26L-VW	1.05GB hard disk, wide
RZ28M-VW	2.1GB hard disk, wide
RZ29B-VW	4.3GB hard disk, wide

Total:  
1-7



Software Processor Code: G

GEAS210A

digital 16-Apr-1996 Detail Layer  
GOLDas21005250a

AlphaServer 2100 5/250 Systems

GOLDEN EGGS Visual Configurations, Helsinki

2100