

# AlphaServer 4000 5/600 Systems

| Order number                                   | Operating system | Server systems, 64bits 600MHz |
|--|------------------|-------------------------------|
| #1 DA-53LED<br>-EA 512MB<br>-FB 1GB<br>-GB 2GB | DIGITAL UNIX     | (Disk) RX,CD (NI SVGA)        |
| DY-53LED<br>-EA 512MB<br>-FB 1GB<br>-GB 2GB    | OpenVMS          | (Disk) RX,CD (NI SVGA)        |

#2 Select disk controller +cable  
#3 Select Ethernet controller

#4 Pedestal enclosure + Disk

|             |                  |
|-------------|------------------|
| BA30P-AA    | Pedestal 120V    |
| BA30P-BA    | Pedestal 240V    |
| BA36R-SD    | Single bus shelf |
| BA36R-SE    | Split bus shelf  |
| DS-RZ1DF-VW | Disk, 9.1GB      |

#4 Cabinet enclosure + Disk

|                |                     |
|----------------|---------------------|
| H9A10-MC/MD    | Cabinet 120V/240V   |
| H9C10-TF       | Cabinet front door  |
| H9C10-MC       | Ballast kit         |
| BA36R-RC       | Single-bus shelf    |
| BA36R-RD       | Split-bus shelf     |
| DS-RZ1DF-VW    | Disk, 9.1GB         |
| CK-BA30A-BA/BB | Drawer-kit, US/Eur. |
| YS-ASCAA-AA    | Factory integration |

#5 SVGA color monitor

|                       |
|-----------------------|
| 15" SN-VRQV5-24/23    |
| 17" SN-VRQP7-24/23    |
| North/South           |
| BN39C-02 2m ext.cable |

#6 For 240V use, select keyboard and power cord

|               |        |        |       |                 |
|---------------|--------|--------|-------|-----------------|
| SN-LKQ47 UNIX | -AE GB | -AG G  | -AM S | BN19C-2E Europe |
| SN-LKQ97 WNT  | -AB B  | -AH NL | -AN N | BN19A-2E GB     |
| LK461 OVMS    | -AD DK | -AI I  | -AP F | BN19E-2E CH     |
|               | -AF FI | -AK CH | -AS E | BN19K-2E DK     |
|               |        |        |       | BN19Z-2E I      |

## Internal options

Memory expansion

| Memory 50ns | Memory 60ns    |
|-------------|----------------|
| —           | 512MB MS330-EA |
| MS332-FA    | 1GB MS330-FA   |
| MS332-GA    | 2GB MS330-GA   |

Internal storage

### Tape storage

DS-TZ89N-VW 35/70GB DLT tape drive

### Disk storage

DS-RZ1CF-VW 4.3GB UltraSCSI disk

DS-RZ1DF-VW 9.1GB UltraSCSI disk

DS-RZ1EF-VW 18GB UltraSCSI disk

|          |                           |
|----------|---------------------------|
| KZPBA-CA | UltraSCSI SE adapter      |
| BN38C-02 | 2m SCSI cable, 68HD-VHDCI |
| KZPCM-DA | Dual UltraSCSI+ Ethernet  |
| BN37A-02 | 2m SCSI cable, VHDCI-VHDC |

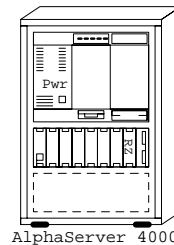
|          |                           |
|----------|---------------------------|
| KZPAC-CB | RAID 3-port, 8MB cache    |
| KZPSC-UB | Cache battery             |
| KZPAC-SB | Dual cable bulkhead       |
| BN37A-02 | 2m SCSI cable VHDCI-VHDCI |

Additional CPUs, Total: 2

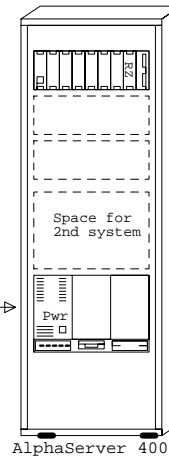
|      |          |        |
|------|----------|--------|
| UNIX | KN306-AB | 600MHz |
| OVMS | KN306-AC | 600MHz |

Power supplies

|             |                  |
|-------------|------------------|
| H7291-AA    | 2nd, 3rd CPU pwr |
| CK-BA35X-HH | 2nd disk power   |



AlphaServer 4000



AlphaServer 4000

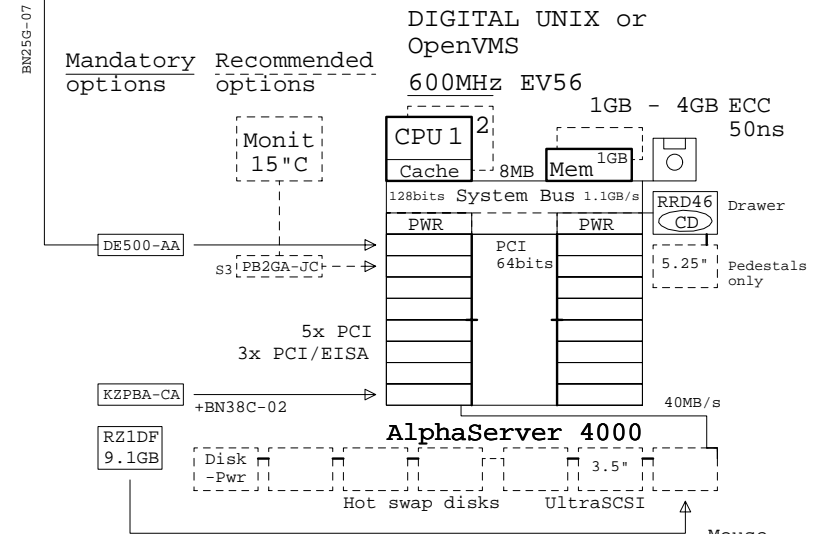
Controllers

|           |                       |
|-----------|-----------------------|
| DE504-BA  | Fast Ethernet, Quad   |
| DEFPA-AB  | FDDI adapter, SAS MMF |
| PBXNP-AA  | Token ring adapter    |
| KFPASA-AA | DSSI controller       |
| CIPCA-BA  | CI controller         |

External options

Tape storage

|             |                      |
|-------------|----------------------|
| DS-TL891-NT | 10 cartridge DLT Lib |
| BN21K-05    | 5m SCSI cable, FWD   |
| BN19C-2E    | Power cord, Europe   |
| KZPSA-BB    | SCSI controller, FWD |



Licenses included:

- DIGITAL UNIX V4.0d, Base license, Unlimited User license, Server Extension license, and Internet Access Software license and Netscape's Enterprise Server 3.0.
- OpenVMS V7.1-1H2, Base license and DIGITAL Enterprise Integration Package.

|           |         |
|-----------|---------|
|           | @600MHz |
| SPECint95 | 18.8    |
| SPECfp95  | 29.2    |
| SPECweb96 | xx      |
| TPC       | yyy@\$x |

Software Processor Code: G

|               |                             |        |
|---------------|-----------------------------|--------|
| <b>COMPAQ</b> | 02-Jan-1999                 | GEA40B |
|               | www.digital.com/golden-eggs |        |

AlphaServer 4000 5/600 Systems  
GOLDEN EGGS Visual Configurations, Helsinki