

START  
↓

# AlphaServer 4100 5/300 Cabinet Systems

# 2nd System Drawer

Operating System	Order Number	Server Systems, 64Bits 300MHz
#1 Windows NT Server	DN-51xyA-xA	2.1GB RX,CD NI SVGA —
Digital UNIX	DA-51xyB-xA	2.1GB RX,CD NI SVGA NAS200
OpenVMS	DY-51xyB-xA	2.1GB RX,CD NI SVGA NAS200

Cache { 5/300 — =C | 5/300,2MB =F | } Memory

C= 128MB  
E= 512MB  
F= 1GB

B= Americas,AP } Geography  
C= Europe

Order Number	300MHz No Disk
DN-51xAA-xA	RX,CD NI SVGA —
DA-51xAB-xA	RX,CD NI SVGA NAS200
DY-51xAB-xA	RX,CD NI SVGA NAS200

Cache →

For field installation only.  
CK-H9A10-EB RETMA cab. power kit Americas and AP  
CK-H9A10-EC Metric cab. power kit Europe

## #2 SVGA Monitor

Monitor	VRC15-WA/W3/W4 VRT17-WA/W3/W4 VRC21-WA/W3/W4 Americas/Europe/SH
---------	--

## #3 Keyboard for Europe

LK47W	-AE (GB)	-AH (NL)	-AN (N)
NT/UNIX	-AB (B)	-AI (I)	-AP (F)
LK46W	-AD (DK)	-AK (CHF)	-AS (E)
OVMS	-AF (FL)	-AL (CHG)	-AT (IL)
	-AG (D)	-AM (S)	-AV (P)

## Internal Options:

### Memory Expansion

MS320-CA	128MB	MEM 1 2 3 4 Max Memory=4GB
MS330-EA	512MB	
MS330-FA	1GB	

### Additional CPUs, SMP

	5/300	5/300,2MB
NT	KN301-DC	KN302-BC
UNIX	KN301-DA	KN302-BA
OVMS	KN301-DB	KN302-BB

### Internal Storage

#### Tape

TLZ07-VA	8GB DAT tape drive
TZ88N-VA	40GB DLT tape drive, 3MB/s

#### Wide disks

RZ28D-VW	2.1GB hard disk, wide
RZ29B-VW	4.3GB hard disk, wide
BA36R-RA	StorageWorks shelf RETMA, Americas and AP
BA36R-JA	StorageWorks shelf Metric, Europe
CK-BA35X-HF	Optional redundant power supply

### Controllers

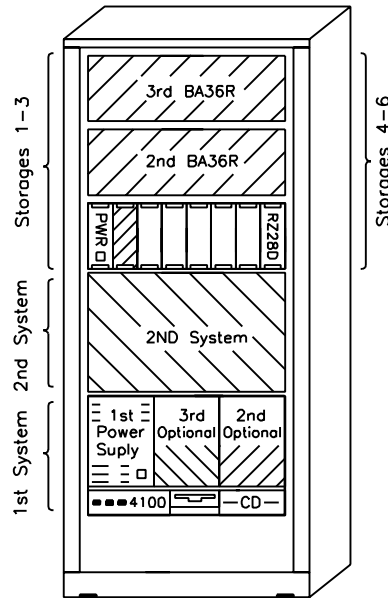
KZPSC-BA	PCI-based 3-port RAID, wide
KZPSC-UB	Battery-backup for cache
BN31S-1E	Wide data cable, 1-3
BN31K-0E	Wide adapter cbl for 3rd port
KZPSA-BB	PCI-based Fast-Wide-Differential SCSI
BN21W-0B	Flexible Y-cable for ext. terminator
H879-A	External FWD-terminator
BN21K-03	FWD SCSI cable
KFPSA-AA	PCI-based DSSI-controller
BC29S-09	DSSI cable
DEFPA-AA	FDDI PCI, single attachment
DE500-XA	PCI-based Fast Ethernet controller

H7291-AA  
Power supply  
for 3rd-4th  
CPU

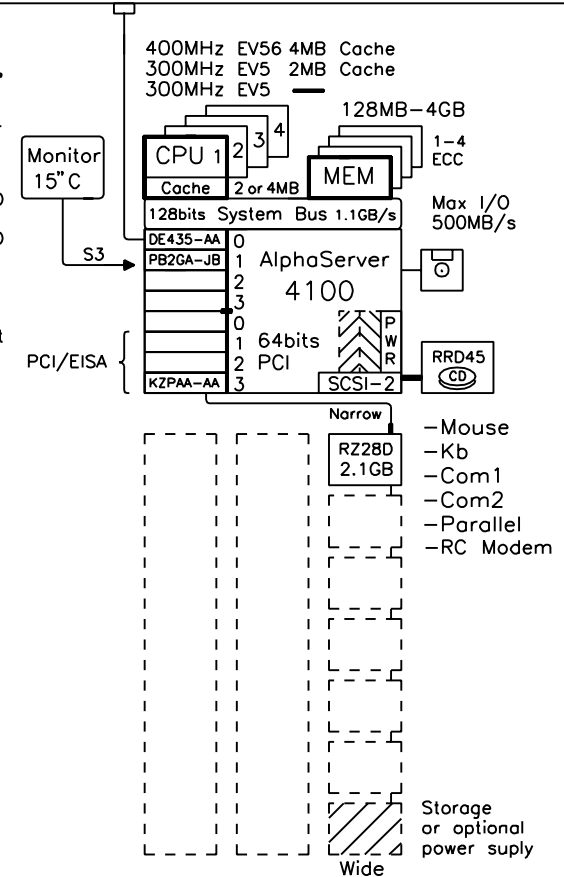
## External Options:

### Tape

SZ107-AA/AB	140GB DLT-tape with loader
BN23G-01	SCSI-cable, narrow
BN19C-2E	PowerCable, European
KZPAA-AA	Recommended controller,narrow
BN21N-02	8/16 cable for internal disks



AlphaServer 4100 Cabinet System  
with one system and storage.



### Licenses included per system type:

- Windows NT Server + 5-client access, V3.51 media kit.
- Digital UNIX base license  
Digital NAS Base Server 200 license
- OpenVMS base license  
NAS 200 for OpenVMS license

302XR-BW CPU upgrade 5/300 ->5/400,4MB

Software Processor Code: G

GEAS4100

digital 18-Apr-1996 Detail Layer  
GOLDas41005300c

AlphaServer 4100 5/300 Cabinet Systems  
GOLDEN EGGS Visual Configurations, Helsinki

4100