

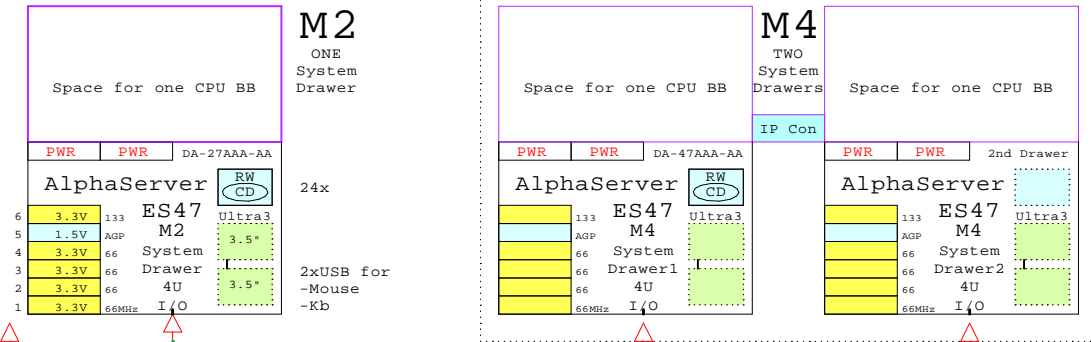
# AlphaServer ES47 M2 & M4 System, EV7/1000,64bits

## Systems & Options

- 3** Memory Options 1-4
- 512MB RAID 128MB 3X-MS7AB-AA
  - 1GB 256MB 3X-MS7AB-BA
  - 2GB 512MB 3X-MS7AB-CA
  - 3X-MS7AB-AC
  - 3X-MS7AB-BC
  - 3X-MS7AB-CC
- Max memory= 4x2GB  
RAID is optional

- 2** CPU Building Block
- 1000MHz EV7
- CPU Building Block 3X-KN73A-AB
- 3X-KN73A-AB Tru64 UNIX  
3X-KN73A-AC OpenVMS
- 10.7GB/s memory bandwidth per processor

- 1** ES47 Base System Drawer. No Cabinet.
- DA-27AAA-AA Tru64 UNIX  
DY-27AAA-AA OpenVMS
- DA-47AAA-AA Tru64 UNIX  
DY-47AAA-AA OpenVMS



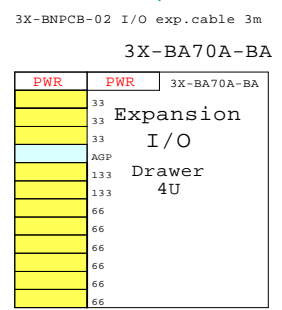
- 4** System Disk 1-2
- A3851 72GB 3R-A3851-AA 72GB 15k U320
  - A3841 146GB 3R-A3841-AA 146GB 10k U320

- 5** Ethernet OR Gigabit
- 3X-DE602-BB Dual port
  - 3X-DEGXA-TA UTP/RJ45
  - 3X-DEGXA-TA Gigabit Ethernet

- 6** Cabinet 41U PDU 1-2 Mfg Build
- 3X-H9A45-ZD 11000 CPU-Cabinet 41U noPDU
  - 3X-H7606-AA PDU 120/208V
  - 3X-H7606-AB PDU 380/415V
  - YS-ASCAA-AA Factory Integration

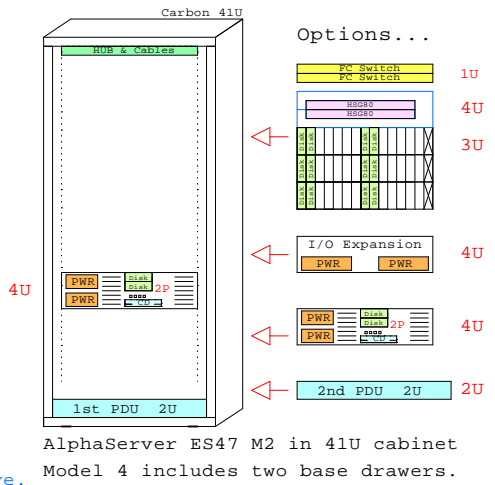
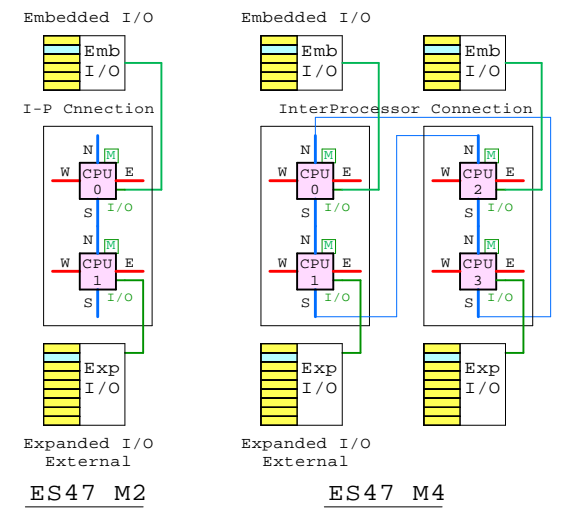
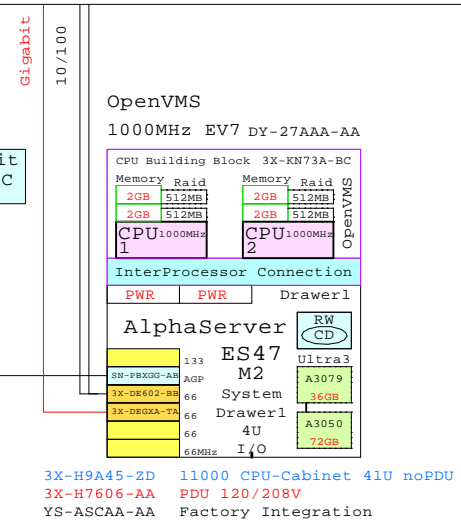
- Graphics
- SN-PBXGF-BC 3Dlabs Oxygen VX1 AGP 2D
  - SN-PBXGG-AB ATI Radeon 7500 2D AGP

- Fibre Channel
- DS-KGPSA-DA FibreChannel adapter 2Gbit/s 66MHz 3.3V



- 7** Mouse and Keyboard
- 3X-PBQWS-WB Mouse USB
  - 3R-LKQ50-AA USB UNIX
  - 3X-LK463-A2 USB OVMS

Monit 17" C



BOM of the OpenVMS M2 system above.

| Part Number | Qty | Description                                    |
|-------------|-----|--|
| 3R-A3050-AA | 1   | 72.8GB 10000r Ultra3 SCSI disk 1"              |
| 3R-A3079-AA | 1   | 36.4GB Uscsi3 15k Universal disk 1"            |
| 3R-A3389-AA | 1   | COMPAQ Monitor P720 17" NH, EU VGAcable        |
| 3X-DE602-BB | 1   | 10/100 2xChannel Fast Ethernet, UTP            |
| 3X-DEGXA-TA | 1   | GigabitEthernet single-p 66MHz 3.3V            |
| 3X-H7606-AA | 1   | PDU 120/208V                                   |
| 3X-H9A45-ZD | 1   | 41U 11000-Series CPU-Cabinet, no PDUs          |
| 3X-KN73A-AC | 1   | ES47 Cab CPU-BB 2xEV7 1000MHz OpenVMS          |
| 3X-MS7AB-CA | 4   | GS-ES 2GB Memory Option 4x512 RDRAM            |
| 3X-MS7AB-CC | 4   | GS-ES 512MB RAID Memory 1x512MB RDRAM @1000MHz |
| DY-27AAA-AA | 1   | AS ES47 Model 2 System OpenVMS 4U              |
| SN-PBXGG-AB | 1   | ATI Radeon 7500 2D AGP graphics accelara       |
| YS-ASCAA-AA | 1   | System Factory Integration                     |

SPECint2000 775  
SPECfp2000 1275

Software Processor Code: E

|  |             |                     |
|--|-------------|---------------------|
|  | 30-Dec-2002 | GEAES47M2M4a        |
|  |             | MattI.Patari@HP.com |

AlphaServer ES47 M2&M4 1000MHz  
GOLDEN EGGS Visuals, Helsinki

ES47 M2&M4

For more detailed configuring, please consult the latest HP QuickSpecs.

Generated with fresh GOLDEN EGGS Software, Rev:30-Dec-2002

Since:Oct-2002

[www.Compaq.com/golden-eggs](http://www.Compaq.com/golden-eggs)