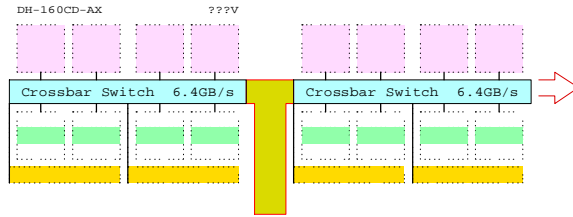


# AlphaServer GS160 M8 and M16, 67/731 Systems

## Upgrade: M8 -> M16



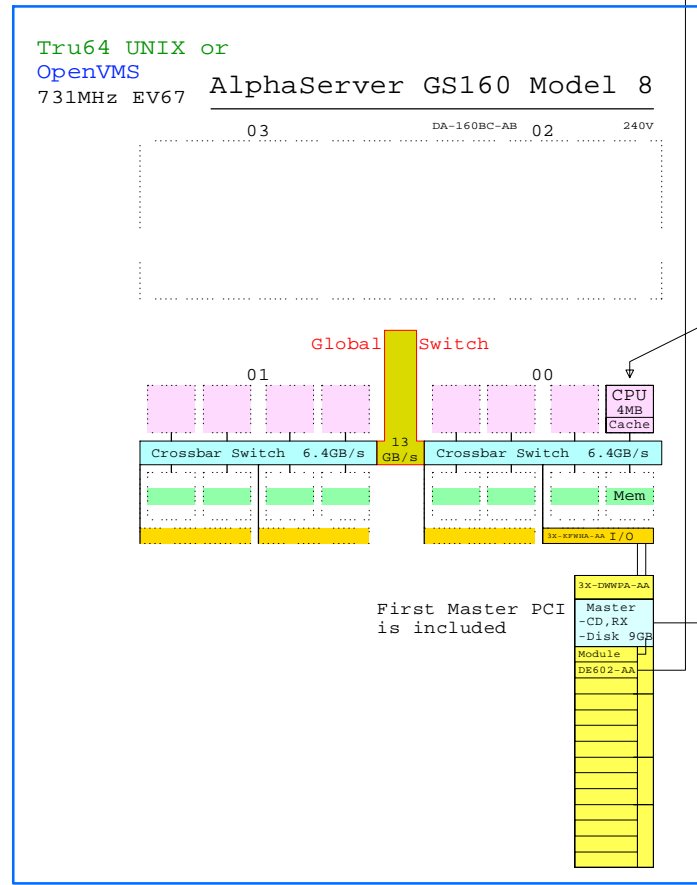
Field upgrade 02-03 QBB  
DH-160CD-AX

## AlphaServer GS160 Model 8

DA-160BC-AA/AB Model 8 Tru64 UNIX  
DY-160BC-AA/AB Model 8 OpenVMS  
208/416V

## AlphaServer GS160 Model 16

DA-160CC-AA/AB Model 16 Tru64 UNIX  
DY-160CC-AA/AB Model 16 OpenVMS  
208/416V



One CPU included

3X-KN8AA-AD UNIX  
CPU 4MB Cache  
3X-KN8AA-AE OpenVMS

Memory Upgrade  
1GB Mem 1GB Mem

3X-MS8AA-BB 1GB Module  
3X-MS8AA-BU 1GB DIMM

3X-MS8AA-CB 2GB Module  
3X-MS8AA-CU 2GB DIMM

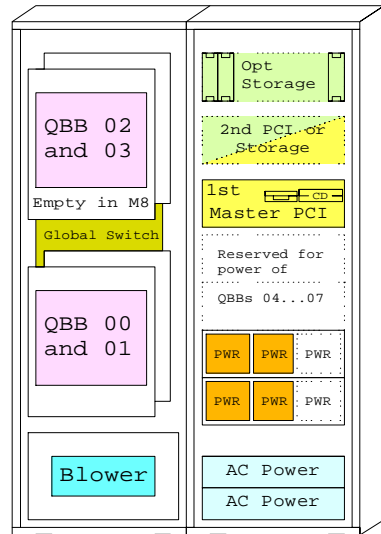
3X-MS8AA-DB 4GB Module  
3X-MS8AA-DU 4GB DIMM

Monit 17" C 3R-VRQP7-24

Console PC 3X-DS8BA-AA  
Console HUB 3X-DS8AA-AA  
Hub for 2nd partition

BN39C-02, Video  
BN19C-2E  
SN-LKQ47-AF

HxWxD 170x140x100cm



One Storage

Storage / PCI

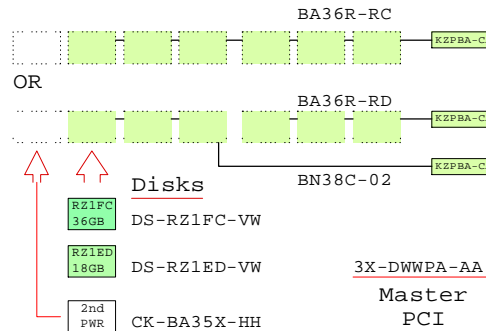
Standard PCI

H7506-AA 1-2  
Optional power

AlphaServer GS160

I/O module 3X-KFWHA-AA  
Two cables BN39B-04

## Optional storage shelf, 1-2



3X-DWWPA-AA Master PCI  
3X-DWWPA-BA Expansion PCI

## Licenses included:

- Tru64 UNIX V4.0G, Base license, Unlimited User license, Server Extension license, and Internet Solutions Software license and Netscape's Enterprise Server 3.0.
- OpenVMS V7.2-1H1 Base license and Enterprise Integration Package V3.0.

@731MHz  
SPECint95 -  
SPECfp95 -  
SPECweb96 -  
TPC -

Software Processor Code: Q

<b>COMPAQ</b>	23-Feb-2001	GEAGS1601
	Matti.Patari@compaq.com	

AlphaServer GS160 M16 System  
GOLDEN EGGS Visuals, Helsinki