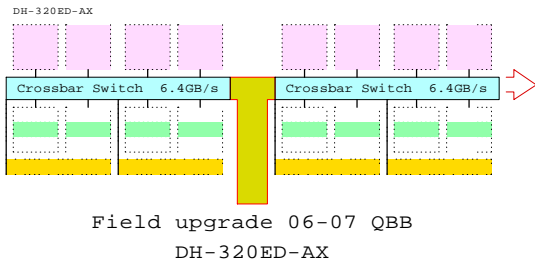


AlphaServer GS320 M24 and M32, 67/731 Systems

Upgrade: M24 -> M32

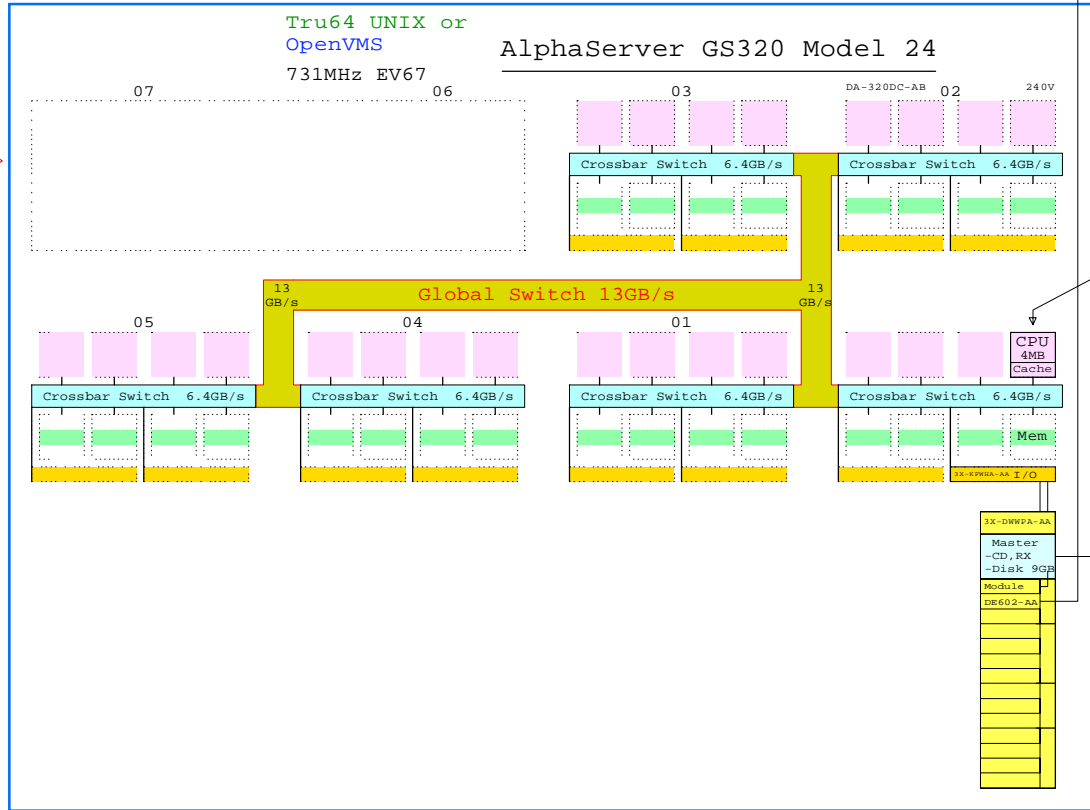


AlphaServer GS320 Model 24

DA-320DC-AA/AB Model 24 Tru64 UNIX
DY-320DC-AA/AB Model 24 OpenVMS
208/416V

AlphaServer GS320 Model 32

DA-320EC-AA/AB Model 32 Tru64 UNIX
DY-320EC-AA/AB Model 32 OpenVMS
208/416V



One CPU included

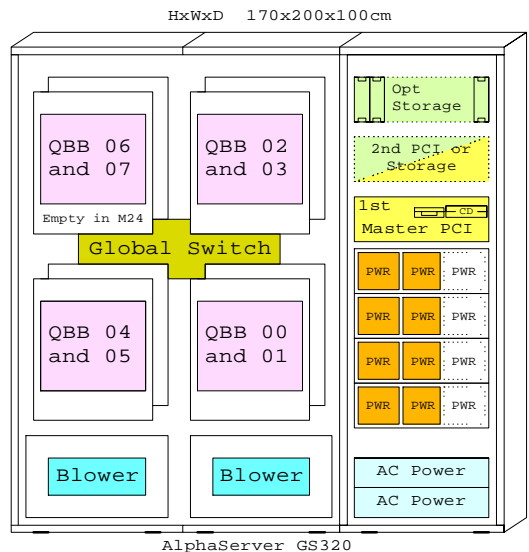
3X-KN8AA-AD
CPU UNIX
3X-KN8AA-AE
CPU 4MB Cache OpenVMS

Memory Upgrade
1GB Mem 1GB Mem

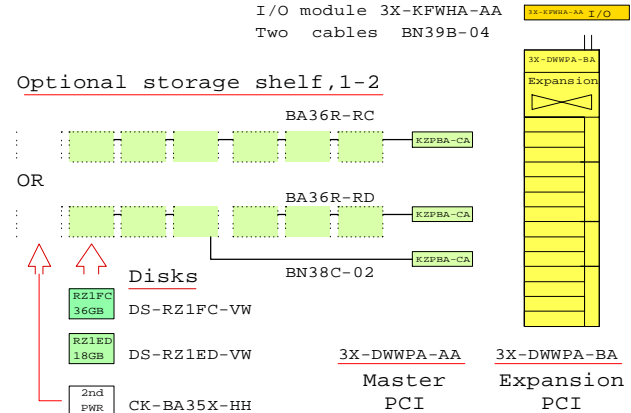
3X-MS8AA-BB 3X-MS8AA-BU
1GB Module 1GB DIMM
3X-MS8AA-CB 3X-MS8AA-CU
2GB Module 2GB DIMM
3X-MS8AA-DB 3X-MS8AA-DU
4GB Module 4GB DIMM

Monit 17°C 3R-VRQP7-24
Console PC 3X-DS8BA-AA 3X-DS8BA-AA/AB
Console HUB 3X-DS8AA-AA Hub for 2nd partition

BN39C-02.Video
BN19C-2E
SN-LKQ47-AF



One Storage
Storage / PCI
Standard PCI
H7506-AA 1-4
Optional power



Licenses included:

- Tru64 UNIX V4.0G, Base license, Unlimited User license, Server Extension license, and Internet Solutions Software license and Netscape's Enterprise Server 3.0.
- OpenVMS V7.2-1H1 Base license and Enterprise Integration Package V3.0.

@731MHz
SPECint95 -
SPECfp95 -
SPECweb96 -
TPC -

Software Processor Code: Q

COMPAQ 23-Feb-2001 GEAGS3201
Matti.Patari@compaq.com

AlphaServer GS320 M32 System
GOLDEN EGGS Visuals, Helsinki