

←START  
↓

# DIGITAL PWS 433au/500au Workstations

	120V	Order Number	240V	Personal Workstations, 64bits	433MHz
#1	SN-B3AAU-FL	SN-B3AAU-WL	64MB 2.1GB Qlogic CD NI 2MBcache		
	SN-B3AAU-T1	SN-B3AAU-U1	Qlogic CD NI		NOgraph
	120V	Order Number	240V	Personal Workstations, 64bits	500MHz
	SN-B3DAU-LK	SN-B3DAU-XK	128MB 4.3GB Qlogic CD NI 2MBcache		
	SN-B3DAU-T1	SN-B3DAU-U1	Qlogic CD NI		NOgraph

#2 SVGA Color Monitor

#3

SN-VRCX7-WA/W3/W4	17"
SN-VRTX7-WA/W3	17"
SN-VRT17-W4	17"
SN-VRCX1-WA/W3/W4	21"

Country Kit for 240V Use Digital UNIX V4.0c

SN-PBB3U-	-AE (GB)	-AH (NL)	-AN (N)
- keyboard	-AB (B)	-AI (I)	-AP (F)
- power card	-AD (DK)	-AK (CHF)	-AS (E)
- mouse	-AF (FI)	-AL (CHG)	-AT (L)
- user doc.	-AG (D)	-AM (S)	-AV (P)
- Windows NT license + doc.			

## Internal Options:

### Memory Expansion

SN-MSP01-HC	64MB ECC DIMM Pair	System	Max memory
SN-MSP01-HD	128MB ECC DIMM Pair	32or	3x 256MB
SN-MSC01-HE	256MB ECC DIMM Pair	Pair   Pair	64or = 768MB
SN-MSC01-AB	2MB external CPU SRAM cache, Max 2	128	

### Internal Storage

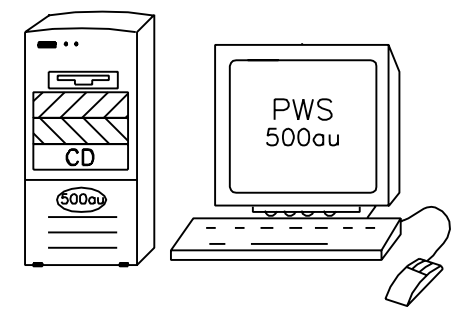
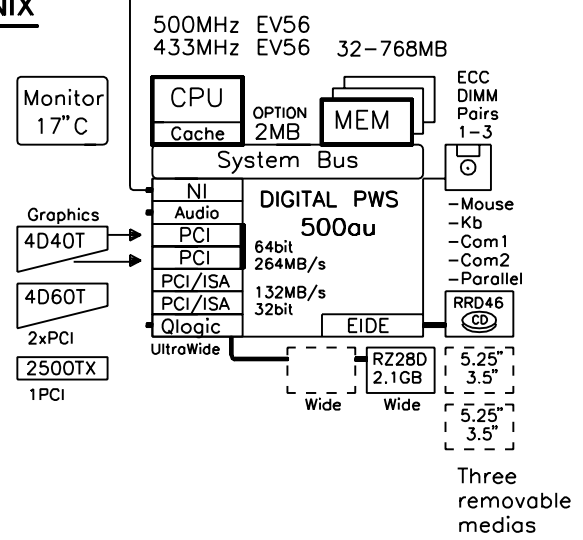
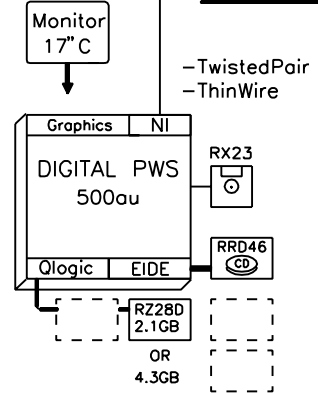
SN-PBXRW-JC	2.1GB Ultra wide disk 7200
SN-PBXRW-NB	4.3GB Ultra wide disk 7200
SN-PBXRW-SA	9.1GB Ultra wide disk 7200
SN-TLZ09-LK	8GB DAT tape drive, internal and adapter cable, wide-narrow
SN-PBXRP-DB	600MB 12x EIDE CD-ROM

### Controllers

SN-KZPBA-CA	Q-Logic 1040B UltraSCSI	1PCI
SN-PCXAG-AD	Matrox Millenium 3D graphics	1PCI
SN-PCXAG-AW	AccelGraphics 2500TX 3D graphics	1PCI
SN-PBXGI-AA	PowerStorm 4D40T graphics	2PCI
SN-PBXGI-AB	PowerStorm 4D50T graphics	2PCI
SN-PBXGI-AC	PowerStorm 4D60T graphics	2PCI
SN-DE500-AA	Fast Ethernet cntrl.	1PCI
SN-DE450-CA	Ethernet cntrl. TW, TP and AUI	1PCI
SN-PCXAN-DB	Fast Ethernet adapter 10/100	
SN-DEFPA-AA	FDDI adapter SAS	1PCI

<http://www.digital.com/golden-eggs>

## Digital UNIX



Digital UNIX V4.0c 2-user Base Licence

SPECint95	SPECfp95	
14.0	17.0	500MHz
12.0	15.0	433MHz

**digital** 01-Jul-1997 Detail Layer  
GEBPW2

DIGITAL Personal Workstation 500au  
GOLDEN EGGS Visual Configurations, Helsinki

PWS500au