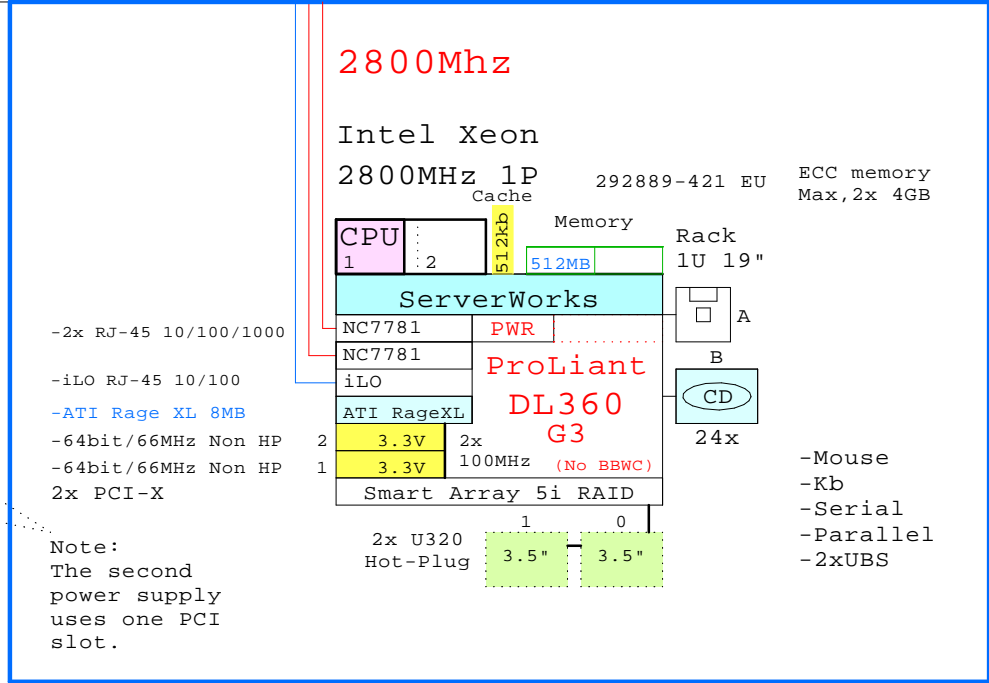
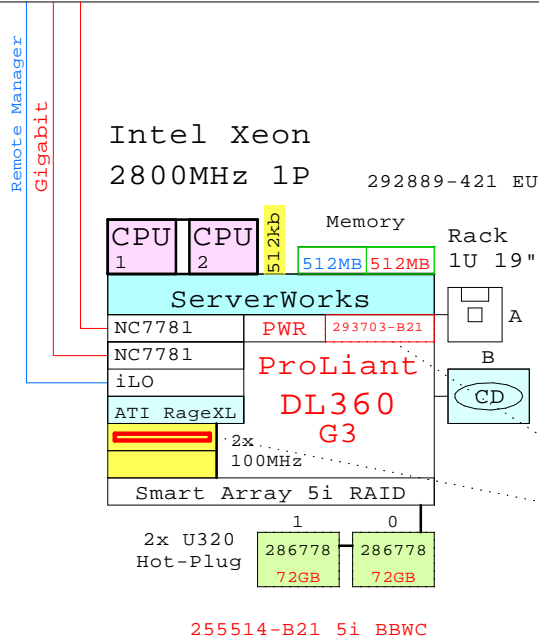


Internal Options:

- CPU** 292892-B21  
2nd CPU  
2800MHz
- 512MB** 300678-B21
- 1GB** 300679-B21
- 2GB** 300680-B21
- 4GB** 300682-B21
- 293703-B21** 2nd power supply, uses one PCI
- 255514-B21 5i BBWC** BB for RAID WC
- 286775 18GB** 286775-B22 15k U320
- 286776 36GB** 286776-B22 15k U320
- 286778 72GB** 286778-B22 15k U320
- 286716 146GB** 286716-B22 10k U320
- 244948-B21** NC7770 Gigabit PCI-X
- 158575-B21** 158575-B21 NC7131 Gigabit 64-bit/66MHz
- 138603-B21** 138603-B21 NC3134 Ethernet, Dual 64-bit/66MHz
- 283551-B21** 283551-B21 Smart Array 5304/256
- 245299-B21** 245299-B21 FibreChannel HBA 2Gb/s FCA2101
- 308540-B21** 308540-B21 Dual Fibre-Ch HBA 2Gb/s FCA2355

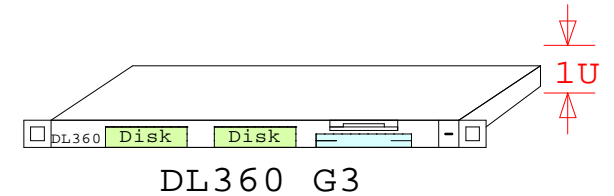


BOM of the 2800MHz-512k 1P 512MB system above

Part Number	Qty	Description
292889-421	1	ProLiant DL360 G3 2800MHz 512k 512MB 1U
286778-B22	2	72.8GB 15000r U320 disk 1"
292892-B21	1	Intel Xeon 2800MHz-512k processor kit
293703-B21	1	DL360 G3 second power supply
300678-B21	1	512MB ECC PC2100 DDR DIMM kit (2x256MB)
255514-B21	1	Battery Backed Write Cache Enable kit

Part numbers for other G3 systems

Part Number	Qty	Description
308724-421	1	ProLiant DL360 G3 2800MHz 512k 1GB 1U ra
292887-421	1	ProLiant DL360 G3 2400MHz 512k 512MB 1U
292891-B21	1	Intel Xeon 2400MHz-512k processor kit



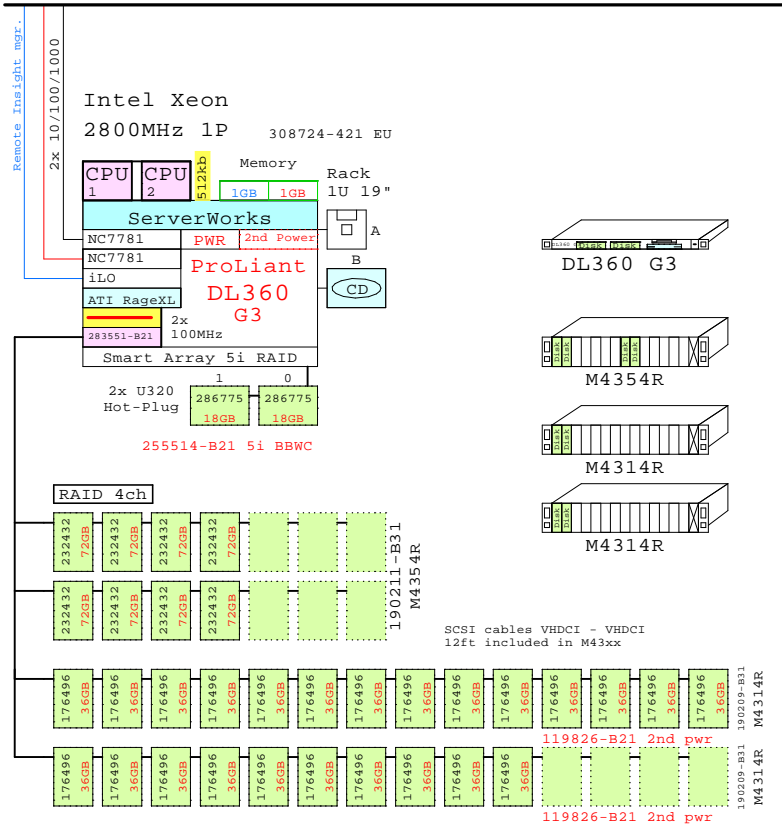
[www.Compaq.com/golden-eggs](http://www.Compaq.com/golden-eggs)

Since: Dec-2002

	16-Dec-2002	GEIDL360G3a
	Matti.Patari@hp.com	
ProLiant DL360 G3 System 2800MHz GOLDEN EGGS Visuals, Helsinki		

HP ProLiant DL360 G3, 2800MHz and 2400MHz

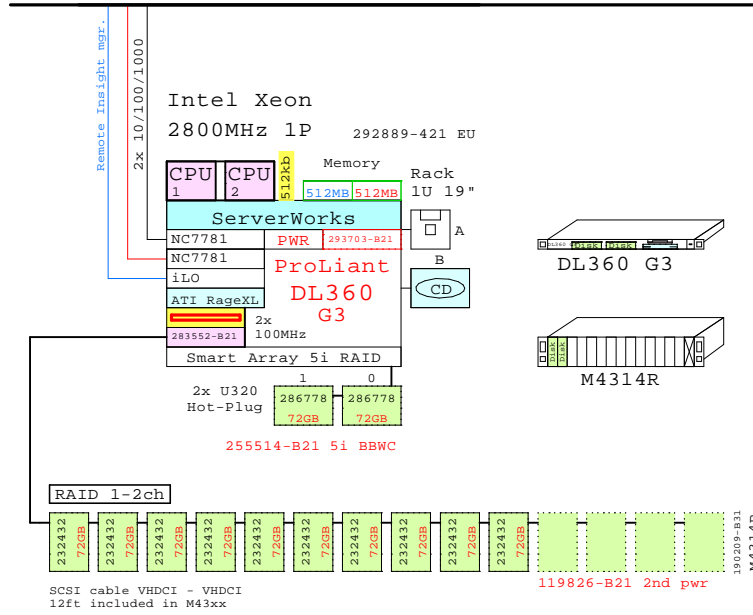
2800MHz, 2GB



Bill of material for 2800MHz expanded system

Part Number	Qty	Description
1	1	308724-421 1 ProLiant DL360 G3 2800MHz 512k 1GB 1U ra
1.1	1	283551-B21 1 Smart Array 5304/256MB,Ultra3 4-chan
1.2	2	286775-B22 2 18.2GB 15000r U320 disk 1"
1.3	1	292892-B21 1 Intel Xeon 2800MHz-512k processor kit
1.4	1	300679-B21 1 1GB ECC PC2100 DDR DIMM kit (2x512MB)
2	1	190209-B31 1 Modula M4314R single buss,14x 1.0"
2.1	10	176496-B22 10 36GB 10000r Ultra3 SCSI disk 1"
3	1	190209-B31 1 Modula M4314R single buss,14x 1.0"
3.1	14	176496-B22 14 36GB 10000r Ultra3 SCSI disk 1"
4	1	190211-B31 1 Modula M4354R dual buss, 7+7, 1.0"
4.1	8	232432-B22 8 72.8GB 10000r Ultra3 SCSI disk 1"
5	2	119826-B21 2 Modula M42/314R 2nd power supply
6	1	255514-B21 1 Battery Backed Write Cache Enable kit

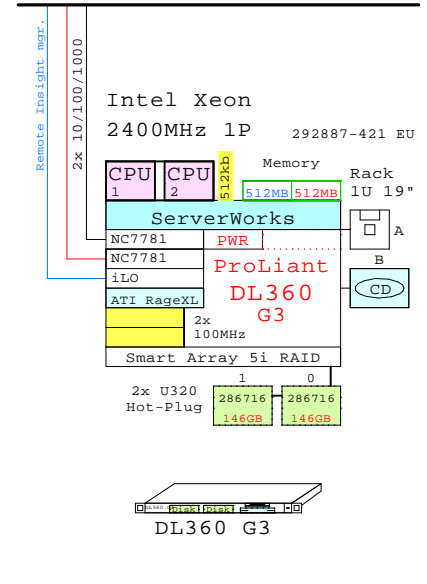
2800MHz, 1GB



Bill of material for 2800MHz expanded system

Part Number	Qty	Description
1	1	292889-421 1 ProLiant DL360 G3 2800MHz 512k 512MB 1U
1.1	1	283552-B21 1 Smart Array 5302/128MB,Ultra3 2-chan
1.2	2	286778-B22 2 72.8GB 15000r U320 disk 1"
1.3	1	292892-B21 1 Intel Xeon 2800MHz-512k processor kit
1.4	1	293703-B21 1 DL360 G3 second power supply
1.5	1	300678-B21 1 512MB ECC PC2100 DDR DIMM kit (2x256MB)
2	1	190209-B31 1 Modula M4314R single buss,14x 1.0"
2.1	10	232432-B22 10 72.8GB 10000r Ultra3 SCSI disk 1"
3	1	119826-B21 1 Modula M42/314R 2nd power supply
4	1	255514-B21 1 Battery Backed Write Cache Enable kit

2400MHz, 1GB



Bill of material for 2400MHz entry system

Part Number	Qty	Description
1	1	292887-421 1 ProLiant DL360 G3 2400MHz 512k 512MB 1U
1.1	2	286716-B22 2 146.8GB 10000r U320 disk 1"
1.2	1	292891-B21 1 Intel Xeon 2400MHz-512k processor kit
1.3	1	300678-B21 1 512MB ECC PC2100 DDR DIMM kit (2x256MB)

www.Compaq.com/golden-eggs

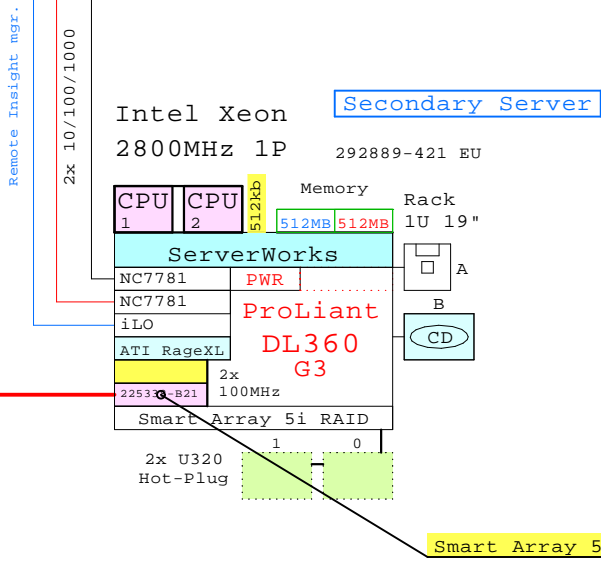
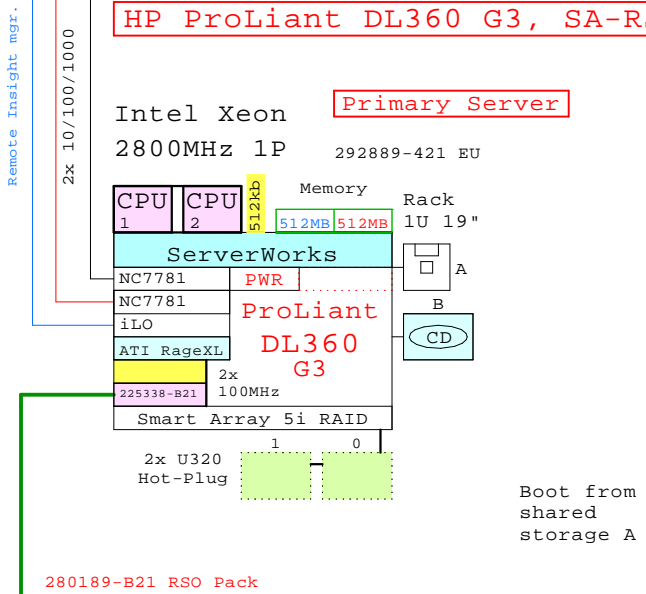
Since:Dec-2002

	16-Dec-2002	GTIDL360G3a
	Matti.Patari@hp.com	

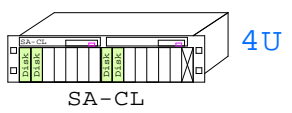
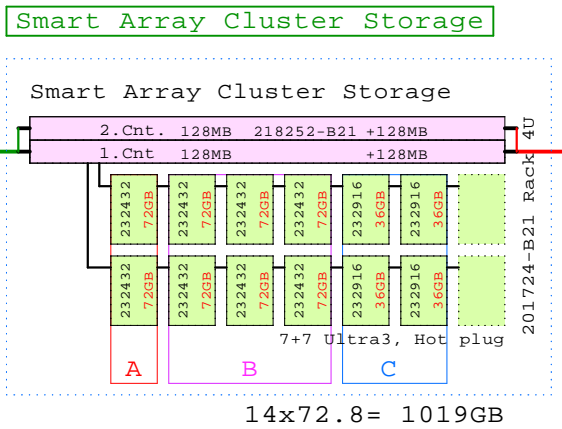
ProLiant DL360 G3 Entry Systems  
GOLDEN EGGS Visuals, Helsinki

DL360 2P

**HP ProLiant DL360 G3, SA-RSO**



280189-B21 RSO Pack



Smart Array 532, RAID Ultra3 2-chan

BOM of this SA-RSO System

	Part Number	Qty	Description
1	201724-B21	1	Smart Array Cluster 128MB Rack 4U
1.1	153506-B21	1	128MB Battery Backed Cache Upgrade
1.2	218252-B21	1	Smart Array Cluster Cntrl 2nd 128MB
1.2.1	153506-B21	1	128MB Battery Backed Cache Upgrade
1.3	232432-B22	8	72.8GB 10000r Ultra3 SCSI disk 1"
1.4	232916-B22	4	36GB 15000r Ultra3 SCSI disk 1"
2	292889-421	1	ProLiant DL360 G3 2800MHz 512k 512MB 1U
2.1	225338-B21	1	Smart Array 532, RAID Ultra3 2-chan
2.2	292892-B21	1	Intel Xeon 2800MHz-512k processor kit
2.3	300678-B21	1	512MB ECC PC2100 DDR DIMM kit (2x256MB)
3	292889-421	1	ProLiant DL360 G3 2800MHz 512k 512MB 1U
3.1	225338-B21	1	Smart Array 532, RAID Ultra3 2-chan
3.2	292892-B21	1	Intel Xeon 2800MHz-512k processor kit
3.3	300678-B21	1	512MB ECC PC2100 DDR DIMM kit (2x256MB)
4	280189-B21	1	ProLiant Essentials RSO Pack

[www.Compaq.com/golden-eggs](http://www.Compaq.com/golden-eggs)

Since: Dec-2002

	16-Dec-2002	GTIDL360G3b
	Matti.Patari@hp.com	

ProLiant DL360 G3, SA-RSO 2800MHz  
 GOLDEN EGGS Visuals, Helsinki

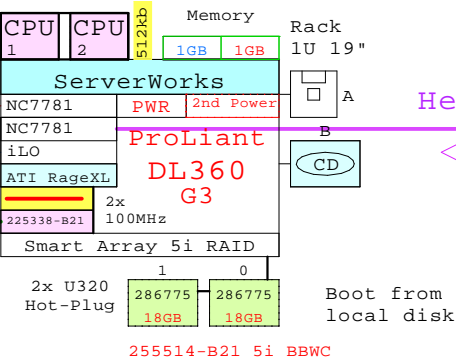
**DL360 2P**

# HP ProLiant DL360 G3, SA-Cluster

Remote Insight mgr.

Intel Xeon 2800MHz 1P 308724-421 EU

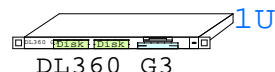
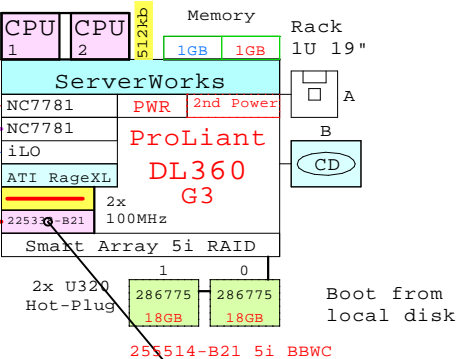
Primary Server



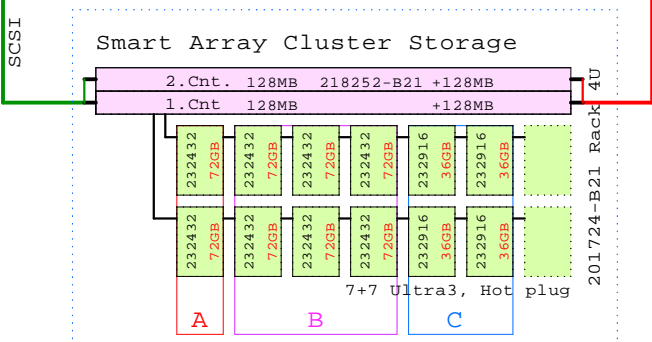
Hert Beat

Intel Xeon 2800MHz 1P 308724-421 EU

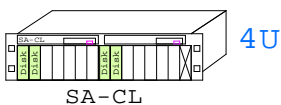
Secondary Server



## Smart Array Cluster Storage



14x72.8 = 1019GB



## BOM of this SA-Cluster System

	Part Number	Qty	Description
1	201724-B21	1	Smart Array Cluster 128MB Rack 4U
1.1	153506-B21	1	128MB Battery Backed Cache Upgrade
1.2	218252-B21	1	Smart Array Cluster Cntrl 2nd 128MB
1.2.1	153506-B21	1	128MB Battery Backed Cache Upgrade
1.3	232432-B22	8	72.8GB 10000r Ultra3 SCSI disk 1"
1.4	232916-B22	4	36GB 15000r Ultra3 SCSI disk 1"
2	308724-421	1	ProLiant DL360 G3 2800MHz 512k 1GB 1U ra
2.1	225338-B21	1	Smart Array 532, RAID Ultra3 2-chan
2.2	286775-B22	2	18.2GB 15000r U320 disk 1"
2.3	292892-B21	1	Intel Xeon 2800MHz-512k processor kit
2.4	300679-B21	1	1GB ECC PC2100 DDR DIMM kit (2x512MB)
3	308724-421	1	ProLiant DL360 G3 2800MHz 512k 1GB 1U ra
3.1	225338-B21	1	Smart Array 532, RAID Ultra3 2-chan
3.2	286775-B22	2	18.2GB 15000r U320 disk 1"
3.3	292892-B21	1	Intel Xeon 2800MHz-512k processor kit
3.4	300679-B21	1	1GB ECC PC2100 DDR DIMM kit (2x512MB)
4	255514-B21	2	Battery Backed Write Cache Enable kit

[www.Compaq.com/golden-eggs](http://www.Compaq.com/golden-eggs)

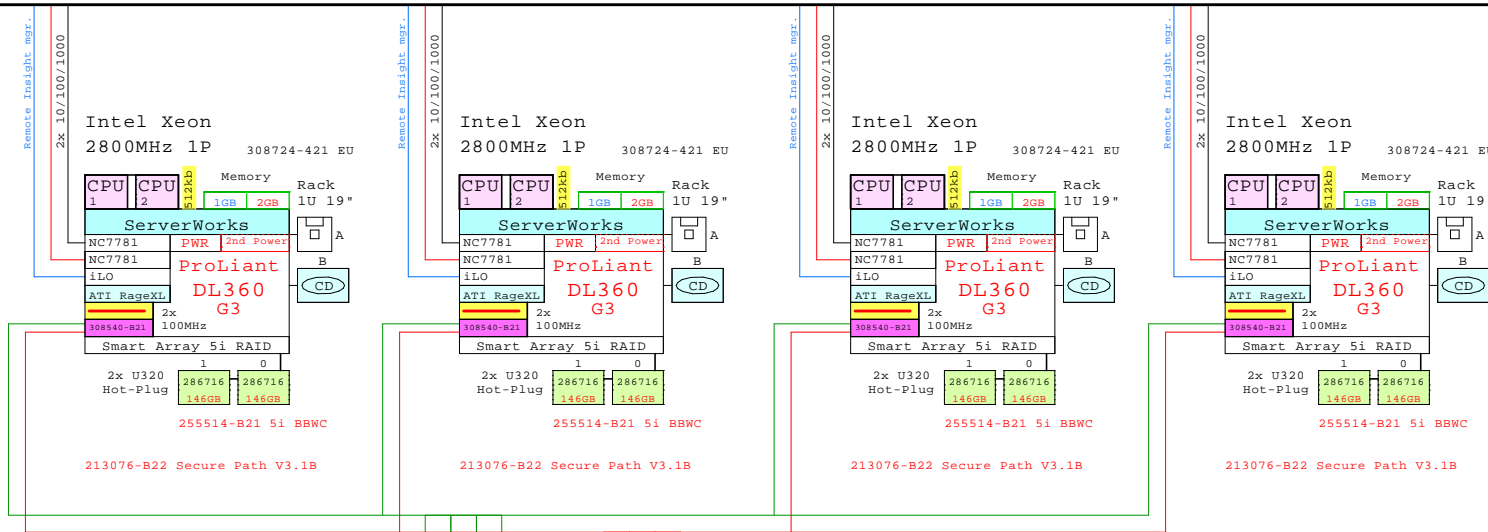
Since:Dec-2002

	16-Dec-2002	GTIDL360G3c
	Matti.Patari@hp.com	
ProLiant DL360 G3,SA-Cluster 2800		
GOLDEN EGGS Visuals, Helsinki		

DL360 2P

HP ProLiant DL360 G3 SAN at 2800MHz

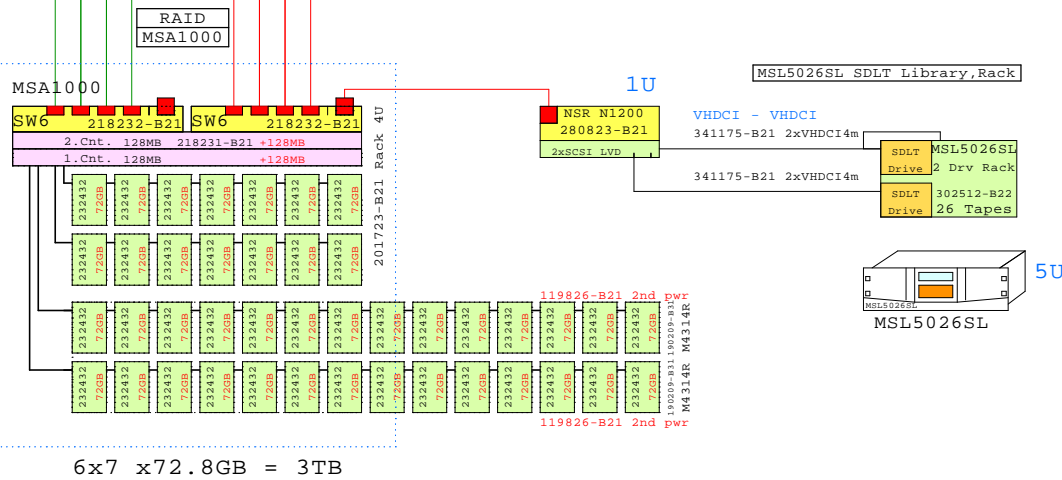
1U DL360 G3 2800MHz    1U DL360 G3 2800MHz    1U DL360 G3 2800MHz    1U DL360 G3 2800MHz



Bill of material for this SAN

Part Number	Qty	Description
1	1	201723-B21 1 MSA1000 RAID Array 128MB Rack 4U
1.1	1	153506-B21 1 128MB Battery Backed Cache Upgrade
1.2	1	190209-B31 1 Modula M4314R single buss,14x 1.0"
1.2.1	14	72.8GB 10000r Ultra3 SCSI disk 1"
1.3	1	190209-B31 1 Modula M4314R single buss,14x 1.0"
1.3.1	14	72.8GB 10000r Ultra3 SCSI disk 1"
1.4	1	218231-B21 1 MSA1000 Redundant Controller
1.4.1	1	153506-B21 1 128MB Battery Backed Cache Upgrade
1.5	2	218232-B21 2 MSA1000 Fabric Switch, 6 port
1.6	1	221470-B21 1 Opt.Short Wave Transceiver 2Gb/s SFP-SW
1.7	14	232432-B22 14 72.8GB 10000r Ultra3 SCSI disk 1"
2	1	308724-421 1 ProLiant DL360 G3 2800MHz 512k 1GB 1U ra
2.1	2	286716-B22 2 146.8GB 10000r U320 disk 1"
2.2	2	292892-B21 2 Intel Xeon 2800MHz-512k processor kit
2.3	1	300680-B21 1 2GB ECC PC2100 DDR DIMM kit (2x1GB)
2.4	1	308540-B21 1 Fibre Channel FCA 2355 2Gb HBA,NT/W2k
3	1	308724-421 1 ProLiant DL360 G3 2800MHz 512k 1GB 1U ra
3.1	2	286716-B22 2 146.8GB 10000r U320 disk 1"
3.2	2	292892-B21 2 Intel Xeon 2800MHz-512k processor kit
3.3	1	300680-B21 1 2GB ECC PC2100 DDR DIMM kit (2x1GB)
3.4	1	308540-B21 1 Fibre Channel FCA 2355 2Gb HBA,NT/W2k
4	1	308724-421 1 ProLiant DL360 G3 2800MHz 512k 1GB 1U ra
4.1	2	286716-B22 2 146.8GB 10000r U320 disk 1"
4.2	2	292892-B21 2 Intel Xeon 2800MHz-512k processor kit
4.3	1	300680-B21 1 2GB ECC PC2100 DDR DIMM kit (2x1GB)
4.4	1	308540-B21 1 Fibre Channel FCA 2355 2Gb HBA,NT/W2k
5	1	308724-421 1 ProLiant DL360 G3 2800MHz 512k 1GB 1U ra
5.1	2	286716-B22 2 146.8GB 10000r U320 disk 1"
5.2	2	292892-B21 2 Intel Xeon 2800MHz-512k processor kit
5.3	1	300680-B21 1 2GB ECC PC2100 DDR DIMM kit (2x1GB)
5.4	1	308540-B21 1 Fibre Channel FCA 2355 2Gb HBA,NT/W2k
6	2	302512-B22 2 MSL5026SL SDLT Lib 2xDrv Rack,Grap,LVD
7	1	280823-B21 1 Netw Stor Rout N1200 FC,2xLVD
8	4	213076-B22 4 Secure Path V3.1B for Windows W-Group
9	2	341175-B21 2 VHDCI to VHDCI SCSI Cable 12ft
10	8	221692-B21 8 FC ShortWave 2m cable LC-LC 2Gb-2Gb
11	2	119826-B21 2 Modula M42/314R 2nd power supply
12	4	255514-B21 4 Battery Backed Write Cache Enable kit

221692-B21 LC-LC 2m  
221692-B21 LC-LC 2m  
221692-B21 LC-LC 2m  
221692-B21 LC-LC 2m



6x7 x72.8GB = 3TB

[www.Compaq.com/golden-eggs](http://www.Compaq.com/golden-eggs)

Since:Dec-2002

	16-Dec-2002	GTIDL360G3d
	Matti.Patari@hp.com	
ProLiant DL360 G3, MSA1000 SAN		
GOLDEN EGGS Visuals, Helsinki		