

AlphaServer DS10 67/600 Systems

Order number	Operating system	Server systems, 64bits 600MHz
#1 DA-74BAA	-DA 256MB -EA 512MB -FA 1GB	Tru64 UNIX (Disk) RX,CD,NI, (Graphics)
DY-74BAA-**	OpenVMS	(Disk) RX,CD,NI, (Graphics)
DJ-74BAA-**	Linux	(Disk) RX,CD,NI, (Graphics)

#2 Select a system disk, IDE or SCSI; SCSI adapter and cable kit.

#3 SVGA color monitor #4 For 240V, select 2x power cords and one keyboard.

15" 3R-A2832-AA	SN-LK047 -AE GB -AG G -AM S	BN19C-2E Europe
17" 3R-A2261-AA	UNIX, Lin -AB B -AH NL -AN N	BN19A-2E GB
North/South	LK461 -AD DK -AI I -AP F	BN19E-2E CH
BN39C-02 2m ext.cable	OVMS -AF FI -AK CH -AS E	BN19K-2E DK
		BN19M-2E I

Internal options

Memory expansion

3X-MS310-CA	256MB	Max memory
3X-MS310-DA	512MB	
3X-MS310-EA	1GB	2x 1GB = 2GB

Internal storage

Tape storage

TLZ10-LB	12/24GB DAT SCSI tape
SN-PBXKP-BA	Wide to narrow adapt
KZPBA-CA	UltraSCSI SE adapter

Disk storage

3X-RE58A-BA	20GB IDE disk 7200
3X-RE57A-BA	30GB IDE disk 7200
3X-BN51A-SD	SCSI Cable kit
DS-RZ3EF-WA	18.2GB Ultra3 disk 10k
DS-RZ3FD-WA	36.4GB Ultra3 disk 10k
KZPAC-CB	RAID 3-port, 8MB cache
KZPSC-UB	Cache battery
3X-PBX01-AB	H9Axx Cabinet shelf kit

Adapters

SN-PBXGK-BB	ELSA Gloria Syn. 8MB
3X-DE600-AA	Ethernet 10/100
DEGPA-SA	Gigabit Ethernet
KZPBA-CB	UltraSCSI Diff, 68HD
3X-DEPVZ-AA	1 Ultra2,2D Grap,Ether.
3X-DEPVD-AA	Permedia P2, Ethernet

External options

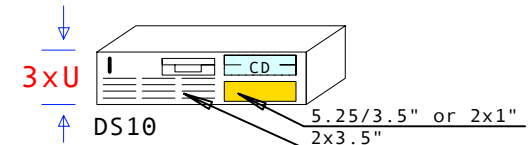
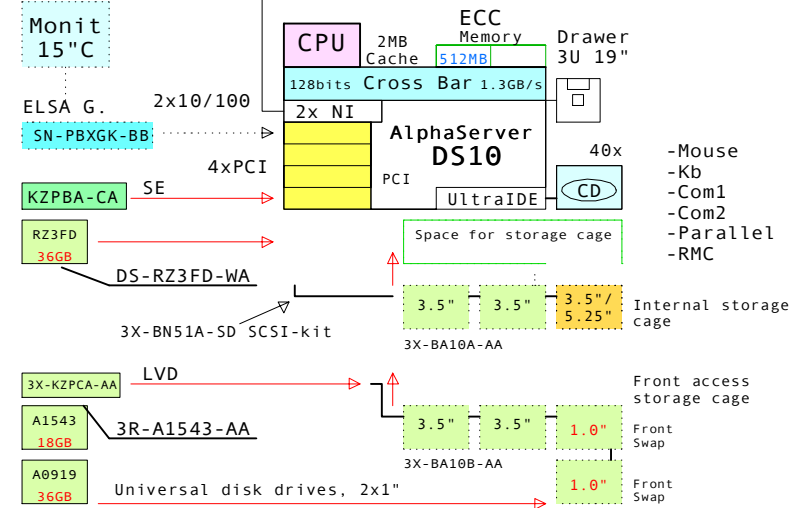
Tape storage

DS-TZ89N-TA	35/70GB DLT tape,TT
BN21K-02	SCSI cable, FWD
BN19C-2E	Power cord, Europe
KZPBA-CA	UltraSCSI SE adapter

Disk storage

DS-BA356-KF	Pedestal, single bus
DS-BA356-KG	Pedestal, split bus
BN37A-02	2m SCSI,VHDCI-VHDCI
BN19C-2E	Power cord, Europe
KZPAC-AA	RAID 1-port, 4Mbcache
DS-RZ1DD-VW	9.1GB UltraSCSI disk
DS-RZ1ED-VW	18 GB UltraSCSI disk

Recommended options



Licenses included:

- Tru64 UNIX V4.0F, Base license, Unlimited User license, Server Extension license, and Internet Access Software license and Netscape's Enterprise Server.
- OpenVMS V7.1-2, Base license and DIGITAL Enterprise Integration Package.

@600MHz

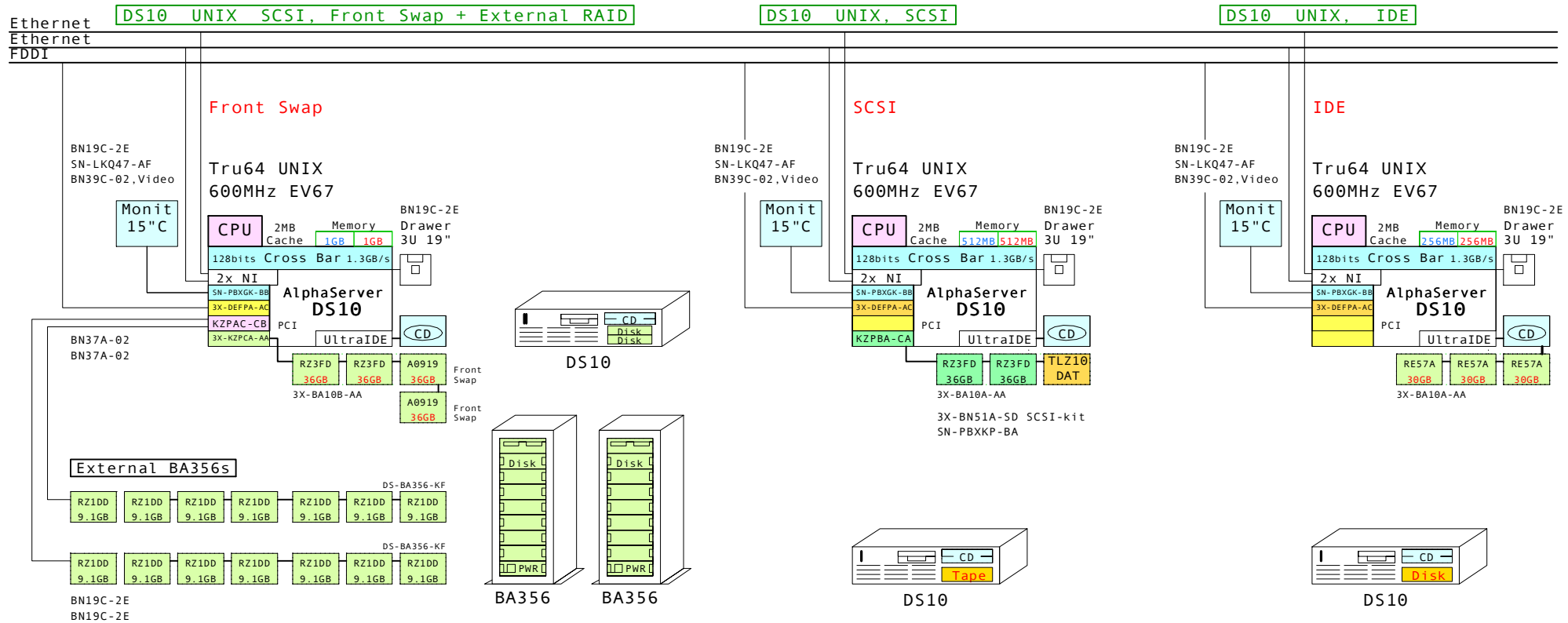
SPECint95	35
SPECfp95	56

Software Processor Code: E

COMPAQ	04-Jul-2001	GEADS103
	Matti.Patari@Compaq.com	

AlphaServer DS10 600MHz System
GOLDEN EGGS Visuals, Helsinki

DS10



Bill of material

Part Number	Qty	Description
1	1	DA-74BAA-FA 1 AS DS10 67/600 1GB UNIX swap disk
1.1	1	3X-BA10B-AA 1 DS10 Disk Drive Cage, 4xDisks
1.1.1	2	3R-A0919-AA 2 36.4GB Uscsi3 10K Universal disk 1"
1.1.2	2	DS-RZ3FD-WA 2 36.4GB 10KRPM Ultra3 SCSI Disk
1.2	1	3X-DEFPA-AC 1 PCI to FDDI SAS MMF with SC,Universal
1.3	1	3X-KZPCA-AA 1 Single channel LVD adapter
1.4	1	3X-MS310-EA 1 DS10 1GB DIMM MEM
1.5	1	BN19C-2E 1 PowerCable 240V, C-Europe
1.6	1	KZPAC-CB 1 3 Chan. SCSI RAID 8MB UltraW
1.7	1	SN-PBXGK-BB 1 Elsa Gloria Synergy 8M Video Graphics
2	1	DS-BA356-KF 1 Pedestal Storage, UltraW, Single-Bus
2.1	7	DS-RZ1DD-VW 7 9.1GB 10000r UltraSCSI disk
3	1	DS-BA356-KF 1 Pedestal Storage, UltraW, Single-Bus
3.1	7	DS-RZ1DD-VW 7 9.1GB 10000r UltraSCSI disk
4	1	3R-A2832-AA 1 COMPAQ Monitor S510 15" NH, EU
5	1	BN39C-02 1 1.8 Video Extension Cable ****
6	1	SN-LKQ47-AF 1 102 KEY KYBD, NON-WIN, Finnish
7	3	BN19C-2E 3 PowerCable 240V, C-Europe
8	2	BN37A-02 2 Ultra Cbl VHDCI - VHDCI

Bill of material

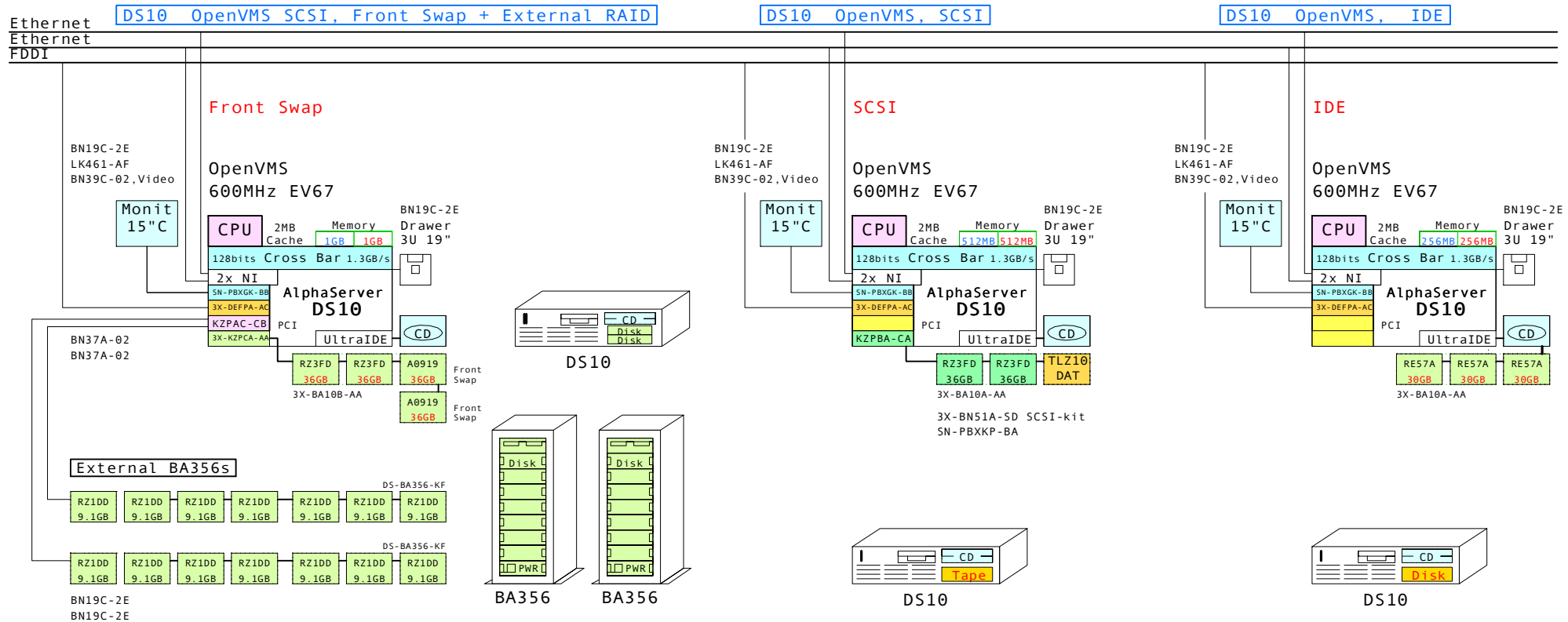
Part Number	Qty	Description
1	1	DA-74BAA-DA 1 AS DS10 67/600 256MB UNIX swap disk
1.1	1	3X-BA10A-AA 1 DS10 Disk Drive Cage, 2xDisks + Tape
1.1.1	3	3R-RE57A-BA 3 DS10 30GB 7200 IDE-disk drive 1"
1.2	1	3X-DEFPA-AC 1 PCI to FDDI SAS MMF with SC,Universal
1.3	1	3X-MS310-CA 1 DS10 256MB DIMM MEM
1.4	1	BN19C-2E 1 PowerCable 240V, C-Europe
1.5	1	SN-PBXGK-BB 1 Elsa Gloria Synergy 8M Video Graphics
2	1	3R-A2832-AA 1 COMPAQ Monitor S510 15" NH, EU
3	1	BN39C-02 1 1.8 Video Extension Cable ****
4	1	SN-LKQ47-AF 1 102 KEY KYBD, NON-WIN, Finnish
5	1	BN19C-2E 1 PowerCable 240V, C-Europe

Bill of material

Part Number	Qty	Description
1	1	DA-74BAA-EA 1 AS DS10 67/600 512MB UNIX swap disk
1.1	1	3X-BA10A-AA 1 DS10 Disk Drive Cage, 2xDisks + Tape
1.1.1	2	DS-RZ3FD-WA 2 36.4GB 10KRPM Ultra3 SCSI Disk
1.1.2	1	TLZ10-LB 1 12/24GB 4mm DAT 5.25" HH
1.2	1	3X-DEFPA-AC 1 PCI to FDDI SAS MMF with SC,Universal
1.3	1	3X-MS310-DA 1 DS10 512MB DIMM MEM
1.4	1	BN19C-2E 1 PowerCable 240V, C-Europe
1.5	1	KZPBA-CA 1 PCI to UltraSCSI Adapter WUSE
1.6	1	SN-PBXGK-BB 1 Elsa Gloria Synergy 8M Video Graphics
2	1	3R-A2832-AA 1 COMPAQ Monitor S510 15" NH, EU
3	1	3X-BN51A-SD 1 DS10/V510 SCSI Cable Kit
4	1	BN39C-02 1 1.8 Video Extension Cable ****
5	1	SN-LKQ47-AF 1 102 KEY KYBD, NON-WIN, Finnish
6	1	SN-PBXKP-BA 1 WIDE TO NARROW SCSI ADAPTER
7	1	BN19C-2E 1 PowerCable 240V, C-Europe

www.Compaq.com/golden-eggs
Since: Jul-2001

COMPAQ	04-Jul-2001	GTAUDS103
	Matti.Patari@Compaq.com	



Bill of material

Part Number	Qty	Description
1	DY-74BAA-FA	1 AS DS10 67/600 1GB OpenVMS swap disk
1.1	3X-BA10B-AA	1 DS10 Disk Drive Cage, 4xDisks
1.1.1	3R-A0919-AA	2 36.4GB Uscs13 10k Universal disk 1"
1.1.2	DS-RZ3FD-WA	2 36.4GB 10kRPM Ultra3 SCSI Disk
1.2	3X-DEFFA-AC	1 PCI to FDDI SAS MMF with SC,Universal
1.3	3X-KZPCA-AA	1 Single channel LVD adapter
1.4	3X-MS310-EA	1 DS10 1GB DIMM MEM
1.5	BN19C-2E	1 PowerCable 240V, C-Europe
1.6	KZPAC-CB	1 3 Chan. SCSI RAID 8MB UltraW
1.7	SN-PBXGK-BB	1 Elsa Gloria Synergy 8M Video Graphics
2	DS-BA356-KF	1 Pedestal Storage, UltraW, Single-Bus
2.1	DS-RZ1DD-VW	7 9.1GB 10000r UltraSCSI disk
3	DS-BA356-KF	1 Pedestal Storage, UltraW, Single-Bus
3.1	DS-RZ1DD-VW	7 9.1GB 10000r UltraSCSI disk
4	3R-A2832-AA	1 COMPAQ Monitor S510 15" NH, EU
5	BN39C-02	1 1.8 Video Extension Cable ****
6	BN19C-2E	3 PowerCable 240V, C-Europe
7	BN37A-02	2 Ultra Cbl VHDCI - VHDCI
8	LK461-AF	1 VMS STYLE KEYBOARD, Fin/Swed

Bill of material

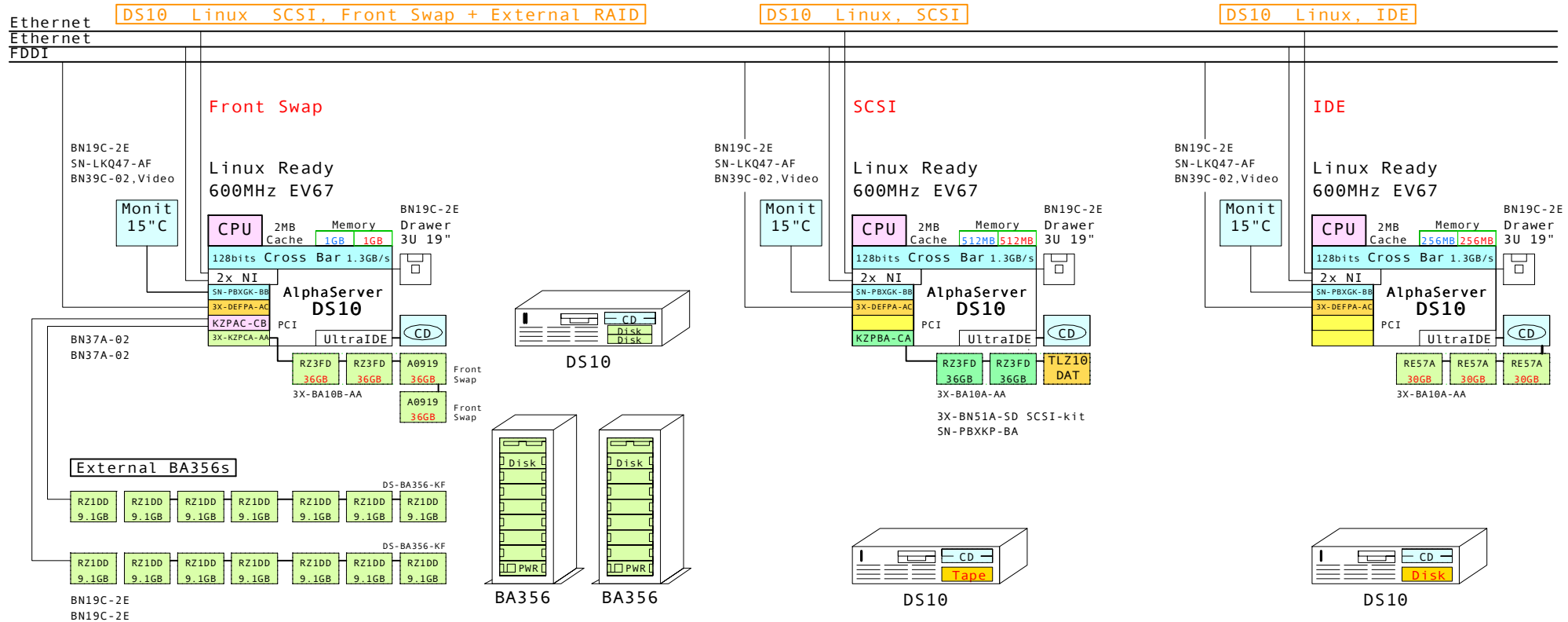
Part Number	Qty	Description
1	DY-74BAA-DA	1 AS DS10 67/600 256MB OpenVMS swap disk
1.1	3X-BA10A-AA	1 DS10 Disk Drive Cage, 2xDisks + Tape
1.1.1	3X-RE57A-BA	3 DS10 30GB 7200 IDE-disk drive 1"
1.2	3X-DEFFA-AC	1 PCI to FDDI SAS MMF with SC,Universal
1.3	3X-MS310-CA	1 DS10 256MB DIMM MEM
1.4	BN19C-2E	1 PowerCable 240V, C-Europe
1.5	SN-PBXGK-BB	1 Elsa Gloria Synergy 8M Video Graphics
2	3R-A2832-AA	1 COMPAQ Monitor S510 15" NH, EU
3	BN39C-02	1 1.8 Video Extension Cable ****
4	BN19C-2E	1 PowerCable 240V, C-Europe
5	LK461-AF	1 VMS STYLE KEYBOARD, Fin/Swed

Bill of material

Part Number	Qty	Description
1	DY-74BAA-EA	1 AS DS10 67/600 512MB OpenVMS swap disk
1.1	3X-BA10A-AA	1 DS10 Disk Drive Cage, 2xDisks + Tape
1.1.1	DS-RZ3FD-WA	2 36.4GB 10kRPM Ultra3 SCSI Disk
1.1.2	TLZ10-LB	1 12/24GB 4mm DAT 5.25" HH
1.2	3X-DEFFA-AC	1 PCI to FDDI SAS MMF with SC,Universal
1.3	3X-MS310-DA	1 DS10 512MB DIMM MEM
1.4	BN19C-2E	1 PowerCable 240V, C-Europe
1.5	KZPBA-CA	1 PCI to UltraSCSI Adapter WUSE
1.6	SN-PBXGK-BB	1 Elsa Gloria Synergy 8M Video Graphics
2	3R-A2832-AA	1 COMPAQ Monitor S510 15" NH, EU
3	3X-BN51A-SD	1 DS10/V510 SCSI Cable Kit
4	BN39C-02	1 1.8 Video Extension Cable ****
5	SN-PBXKP-BA	1 WIDE TO NARROW SCSI ADAPTER
6	BN19C-2E	1 PowerCable 240V, C-Europe
7	LK461-AF	1 VMS STYLE KEYBOARD, Fin/Swed

www.Compaq.com/golden-eggs
Since: Jul-2001

COMPAQ	04-Jul-2001	GTAVDS103
	Matti.Patari@Compaq.com	



Bill of material

Part Number	Qty	Description
1	DJ-74BAA-FA	1 AS DS10 67/600 1GB Linux Ready swap D
1.1	3X-BA10B-AA	1 DS10 Disk Drive Cage, 4xDisks
1.1.1	3R-A0919-AA	2 36.4GB Uscs13 10k Universal disk 1"
1.1.2	DS-RZ3FD-WA	2 36.4GB 10kRPM Ultra3 SCSI Disk
1.2	3X-DEFFA-AC	1 PCI to FDDI SAS MMF with SC,Universal
1.3	3X-KZPCA-AA	1 Single channel LVD adapter
1.4	3X-MS310-EA	1 DS10 1GB DIMM MEM
1.5	BN19C-2E	1 PowerCable 240V, C-Europe
1.6	KZPAC-CB	1 3 Chan. SCSI RAID 8MB UltraW
1.7	SN-PBXGK-BB	1 Elsa Gloria Synergy 8M Video Graphics
2	DS-BA356-KF	1 Pedestal Storage, UltraW, Single-Bus
2.1	DS-RZ1DD-VW	7 9.1GB 10000r UltraSCSI disk
3	DS-BA356-KF	1 Pedestal Storage, UltraW, Single-Bus
3.1	DS-RZ1DD-VW	7 9.1GB 10000r UltraSCSI disk
4	3R-A2832-AA	1 COMPAQ Monitor S510 15" NH, EU
5	BN39C-02	1 1.8 Video Extension Cable ****
6	SN-LK047-AF	1 102 KEY KYBD, NON-WIN, Finnish
7	BN19C-2E	3 PowerCable 240V, C-Europe
8	BN37A-02	2 Ultra Cbl VHDCI - VHDCI

Bill of material

Part Number	Qty	Description
1	DJ-74BAA-DA	1 AS DS10 67/600 256MB Linux Ready swap D
1.1	3X-BA10A-AA	1 DS10 Disk Drive Cage, 2xDisks + Tape
1.1.1	3X-RE57A-BA	3 DS10 30GB 7200 IDE-disk drive 1"
1.2	3X-DEFFA-AC	1 PCI to FDDI SAS MMF with SC,Universal
1.3	3X-MS310-CA	1 DS10 256MB DIMM MEM
1.4	BN19C-2E	1 PowerCable 240V, C-Europe
1.5	SN-PBXGK-BB	1 Elsa Gloria Synergy 8M Video Graphics
2	3R-A2832-AA	1 COMPAQ Monitor S510 15" NH, EU
3	BN39C-02	1 1.8 Video Extension Cable ****
4	SN-LK047-AF	1 102 KEY KYBD, NON-WIN, Finnish
5	BN19C-2E	1 PowerCable 240V, C-Europe

Bill of material

Part Number	Qty	Description
1	DJ-74BAA-EA	1 AS DS10 67/600 512MB Linux Ready swap D
1.1	3X-BA10A-AA	1 DS10 Disk Drive Cage, 2xDisks + Tape
1.1.1	DS-RZ3FD-WA	2 36.4GB 10kRPM Ultra3 SCSI Disk
1.1.2	TLZ10-LB	1 12/24GB 4mm DAT 5.25" HH
1.2	3X-DEFFA-AC	1 PCI to FDDI SAS MMF with SC,Universal
1.3	3X-MS310-DA	1 DS10 512MB DIMM MEM
1.4	BN19C-2E	1 PowerCable 240V, C-Europe
1.5	KZPBA-CA	1 PCI to UltraSCSI Adapter WUSE
1.6	SN-PBXGK-BB	1 Elsa Gloria Synergy 8M Video Graphics
2	3R-A2832-AA	1 COMPAQ Monitor S510 15" NH, EU
3	3X-BN51A-SD	1 DS10/V510 SCSI Cable Kit
4	BN39C-02	1 1.8 Video Extension Cable ****
5	SN-LK047-AF	1 102 KEY KYBD, NON-WIN, Finnish
6	SN-PBXKP-BA	1 WIDE TO NARROW SCSI ADAPTER
7	BN19C-2E	1 PowerCable 240V, C-Europe

www.Compaq.com/golden-eggs
Since: Jul-2001

COMPAQ	04-Jul-2001	GTALDS103
	Matti.Patari@Compaq.com	

GOLDEN EGGS

World Services

Alpha Examples

<http://www.compaq.com/golden-eggs>

GOLDEN EGGS

World Station

Software kits

<http://www.compaq.com/info/golden-eggs/software>

GOLDEN EGGS in eBusiness since 1988

COMPAQ

21-Jun-2000 GE-Internet

Matti.Patari@compaq.com

GOLDEN EGGS Internet Outlets
GOLDEN EGGS Visuals, Helsinki