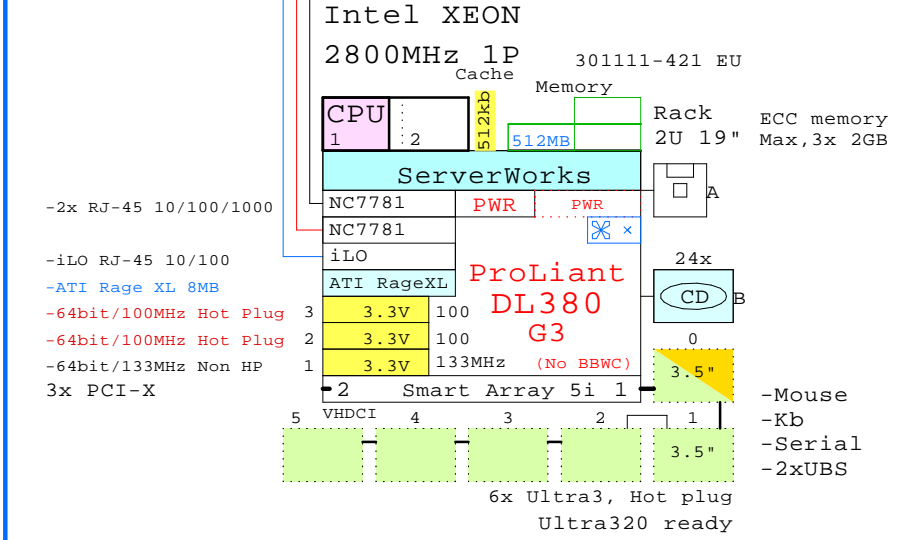
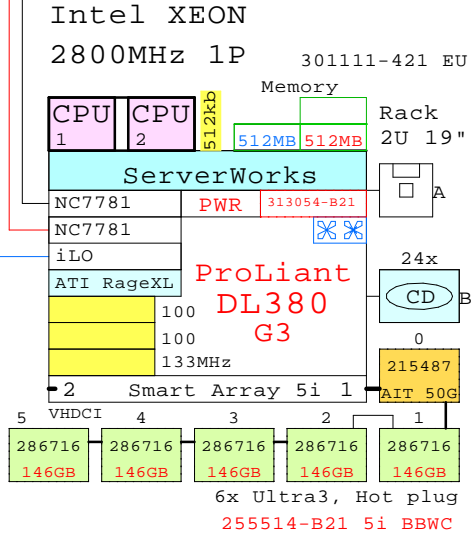
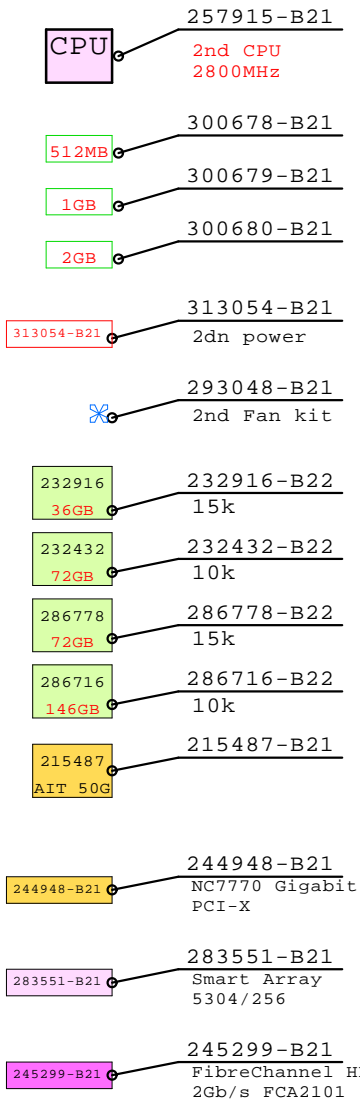


Internal Options:

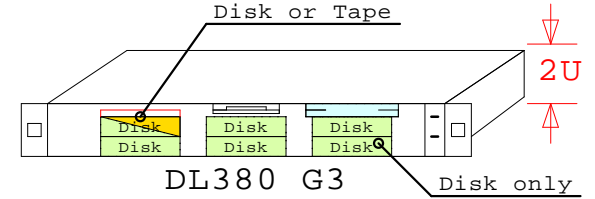


BOM of the 2800MHz-512k 512MB 1P system above

Part Number	Qty	Description
1 301111-421	1	ProLiant DL380 G3 2800MHz 512MB rack 2U
1.1 215487-B21	1	50/100GB Hot plug AIT tape drive
1.2 257915-B21	1	Intel Xeon 2800-512kb processor kit
1.3 286716-B22	5	146.8GB 15000r U320 disk 1"
1.4 293048-B21	1	DL380 G3 hot plug blower kit, 3x fans
1.5 300678-B21	1	512MB ECC PC2100 DDR DIMM kit (2x256MB)
1.6 313054-B21	1	DL380 G2/G3 second power supply
2 255514-B21	1	Battery Backed Write Cache Enable kit

Part numbers for 2400MHz-512k 512MB 1P systems

Part Number	Qty	Description
1 257917-421	1	ProLiant DL380 G3 2400MHz 512MB rack 2U
1.1 257913-B21	1	Intel Xeon 2400-512kb processor kit



255514-B21 5i BBWC
 268290-B21 48VDC power supply, min two

For more detailed configuring, please consult the latest HP QuickSpecs.
 Generated with fresh GOLDEN EGGS Software, Rev:25-Nov-2002

DL380 2P

www.Compaq.com/golden-eggs
 Since: Nov-2002

	02-Dec-2002	GEIDL380G3a
	Matti.Patari@hp.com	
ProLiant DL380 G3 System 2800MHz GOLDEN EGGS Visuals, Helsinki		