

Internal Options:

- CPU 231117-B21  
2nd CPU
- 128MB 128277-B21
- 256MB 128278-B21
- 512MB 128279-B21
- 1GB 128280-B21

Non Hot Plug SCSI

- 142674 142674-B21  
18GB 10k
- 176497 176497-B21  
36GB 10k

ATA disk drives

- 231377 231377-B21  
ATA20GB 7.2k
- 230534 230534-B21  
ATA40GB 7.2k

- AIT 50G 157766-B21  
157766

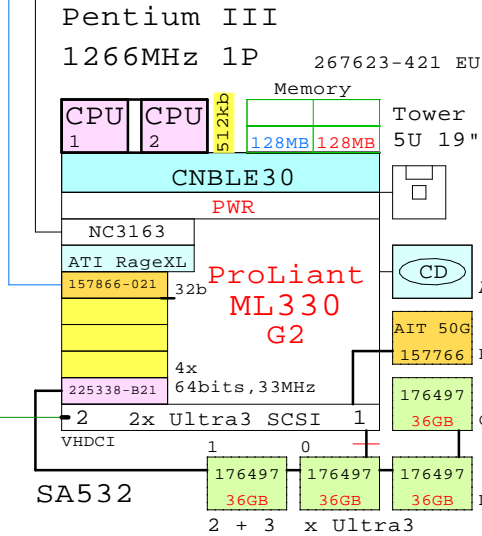
- 157866-021 157866-021  
Lights out mgr 33MHz

- 158575-B21 158575-B21  
NC7131 Gigabit 64-bit/66MHz

- 129803-B21 129803-B21  
2-Ch Ultra3 SCSI 64-Bit/66MHz

- 225338-B21 225338-B21  
Smart Array 532

- 158939-B21 158939-B21  
Smart Array 5304/128 64-Bit/66MHz



Cable kit for external storage.  
159547-B22 Int/Ext SCSI cable kit

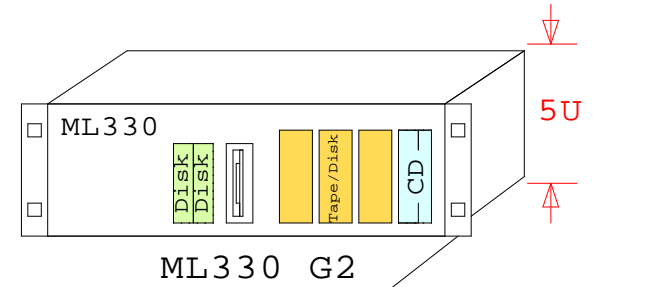
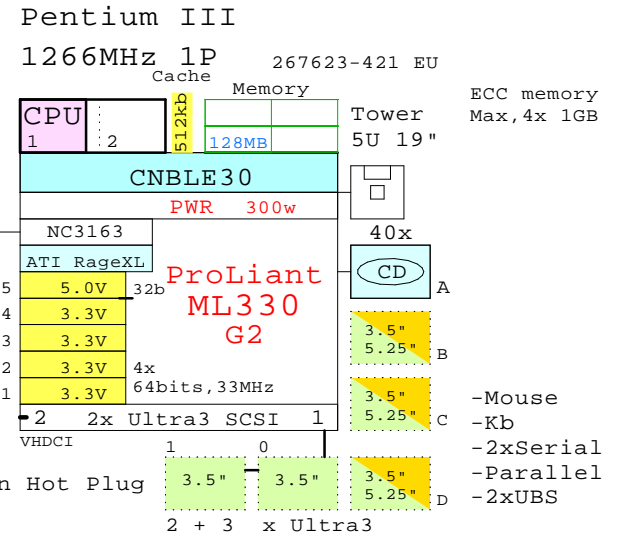
BOM of the SCSI system above

Part Number	Qty	Description
267623-421	1	ML330 G2 1266MHz 128MB SCSI Tower5U
1.1	1	128277-B21 128MB 133MHz ECC SDRAM 1x128MB
1.2	1	157766-B21 50GB AIT tape drive, Internal
1.3	1	157866-021 CPQ Remote insight manager kit
1.4	4	176497-B21 36.4GB 10k Ultra3 SCSI disk 1" NonHP
1.5	1	225338-B21 Smart Array 532, RAID Ultra3 2-chan
1.6	1	231117-B21 Pentium III P1266-512kb processor kit

ATA System with one 40GB ATA-drive

Part Number	Qty	Description
267620-421	1	ML330 G2 1266MHz 128MB ATA40GB Tower5U

SCSI



Tower to Rack kit  
238547-B21 ML330 Rack kit

[www.Compaq.com/golden-eggs](http://www.Compaq.com/golden-eggs)  
Since: Apr-2002

<b>COMPAQ</b>	16-Apr-2002	GEIML330a
	Matti.Patari@compaq.com	

ProLiant ML330 G2 system, SCSI  
GOLDEN EGGS Visuals, Helsinki

ML330 2P