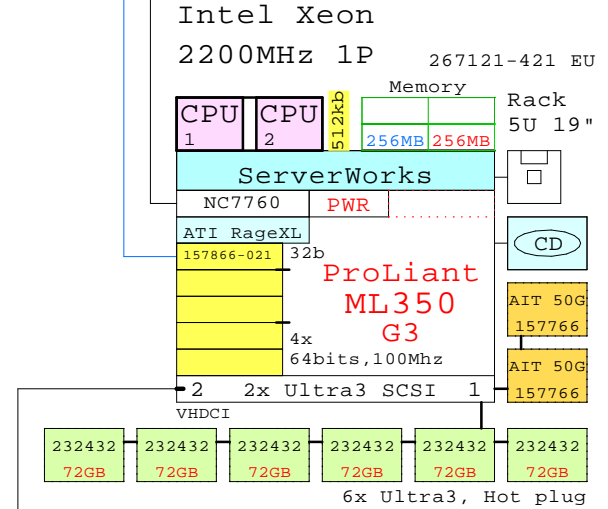
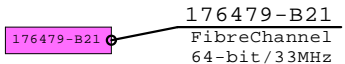
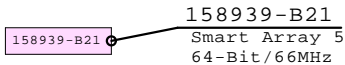
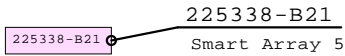
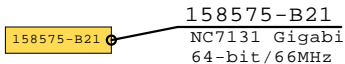
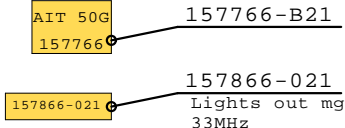
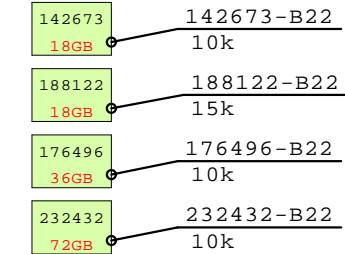
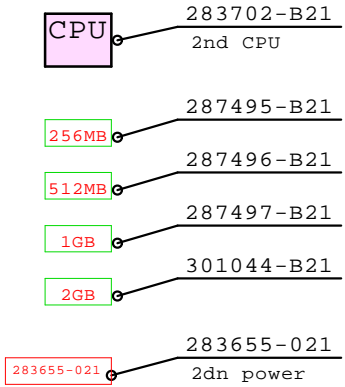


Internal Options:



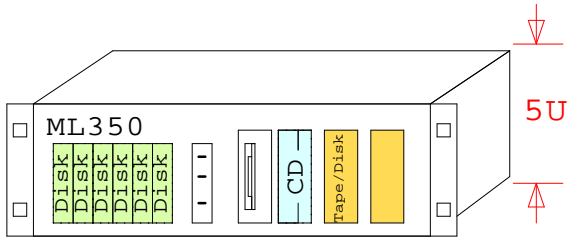
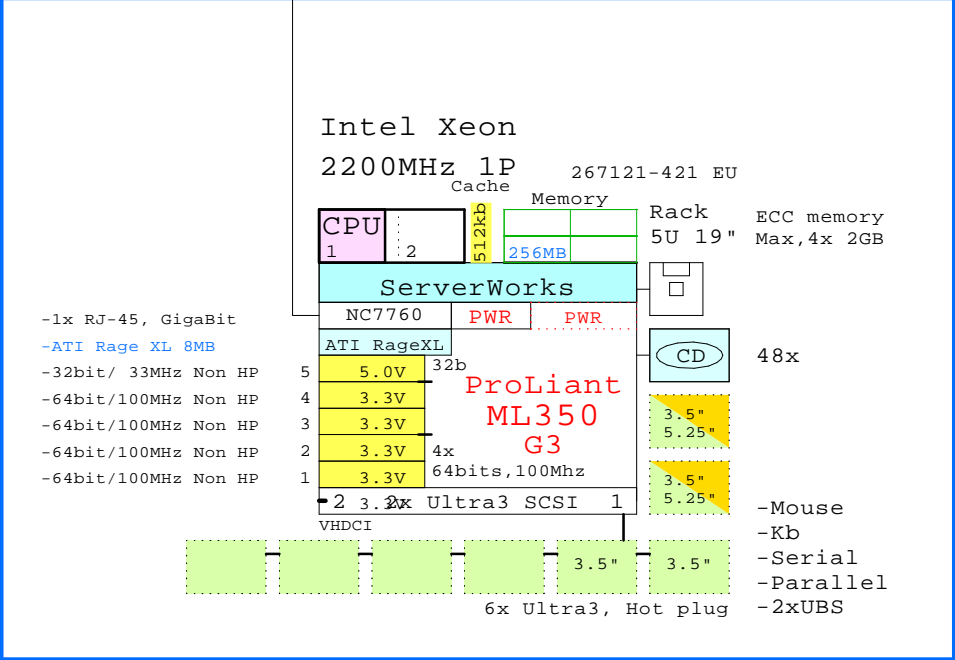
Cable kit for external storage.
159547-B22 Int/Ext SCSI cable kit

BOM of the system above

Part Number	Qty	Description
1	267121-421	1 ProLiant ML350 G3 2200MHz 256MB Rack 5U
1.1	157766-B21	2 50GB AIT tape drive, Internal
1.2	157866-021	1 CPQ Remote Insight manager kit
1.3	232432-B22	6 72.8GB 10000r Ultra3 SCSI disk 1"
1.4	283702-B21	1 Intel Xeon 2200-512kb processor kit
1.5	287495-B21	1 256MB ECC PC2100 DDR DIMM kit (1x256MB)

Part numbers for 2.000MHz options

Part Number	Qty	Description
267123-421	1	ProLiant ML350 G3 2000MHz 256MB Rack 5U
283701-B21	1	Intel Xeon 2000-512kb processor kit



ML350 G3

www.Compaq.com/golden-eggs

Since: Sep-2002

COMPAQ	24-Sep-2002	GEIML350c
	Matti.Patari@HP.com	

ProLiant ML350 G3, 2200MHz syst
GOLDEN EGGS Visuals, Helsinki