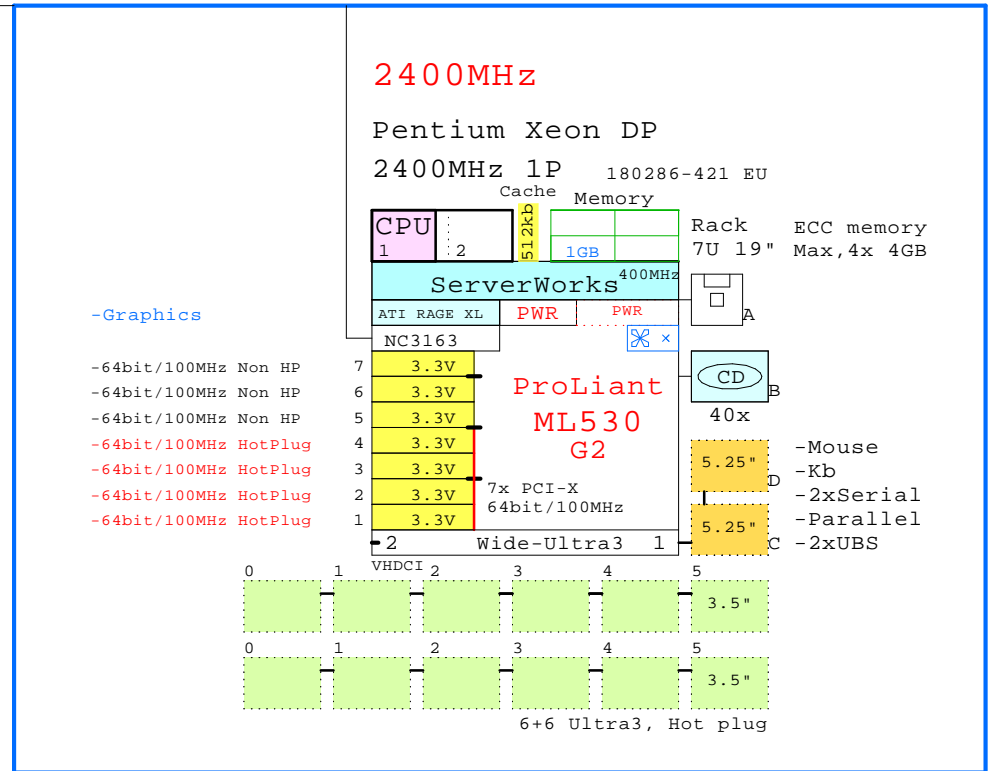
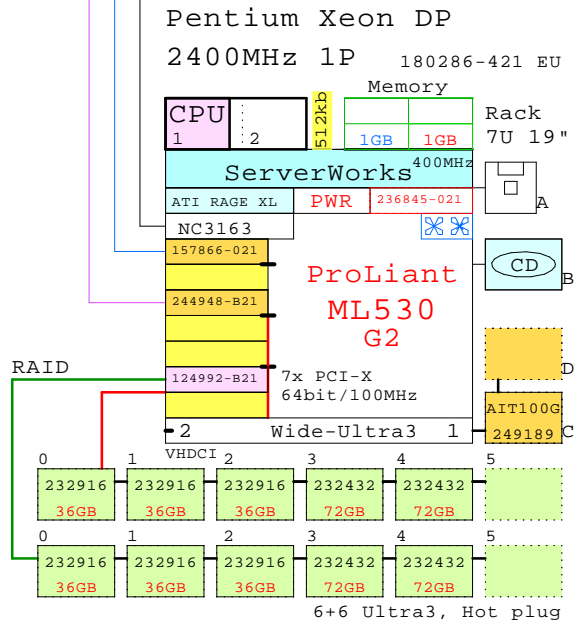


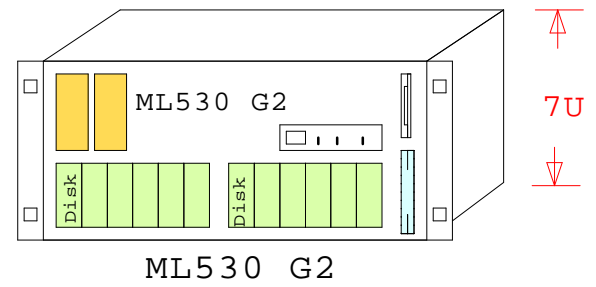
Internal Options:

- CPU** 191224-B21
2nd CPU
- 1GB** 187419-B21
- 2GB** 187420-B21
- 4GB** 187421-B21
- 128248-B21** Fan kit
- 236845-021** 2nd,3rd power
- 142673** 142673-B22
18GB 10k
- 188122** 188122-B22
18GB 15k
- 176496** 176496-B22
36GB 10k
- 232432** 232432-B22
72GB 10k
- AIT 50G** 157766-B21
157766
- 157866-021** Lights out mgr 33MHz
- 158575-B21** NC7131 Gigabit 64-bit/66MHz
- 138603-B21** NC3134 Ethernet, Dual 64-bit/66MHz
- 158939-B21** Smart Array 5304/128 64-Bit/66MHz
- 176479-B21** FibreChannel adapter 64-bit/33MHz



BOM of the system above

Part Number	Qty	Description
1	180286-421	1 ProLiant ML530 G2 1P 2400MHz 1GB Rack 7U
1.1	124992-B21	1 Smart Array 5302/64MB,Ultra3 2-chan
1.2	128284-B21	1 ML530 G2 Hot plug blower kit
1.3	157866-021	1 CPQ Remote Insight manager kit
1.4	187419-B21	1 1GB PC1600 ECC SDRAM (2x512MB)memory
1.5	232432-B22	4 72.8GB 10000r Ultra3 SCSI disk 1"
1.6	232916-B22	6 36GB 15000r Ultra3 SCSI disk 1"
1.7	236845-021	1 ML530 G2 second power supply
1.8	244948-B21	1 Compaq NC7770 PCI-X Gigabit Server Adapt
1.9	249189-B21	1 100GB AIT tape drive, Internal



www.Compaq.com/golden-eggs

Since:May-2002

COMPAQ	17-May-2002	GEIML530b
	Matti.Patari@HP.com	

ProLiant ML530 G2 2400Mhz
GOLDEN EGGS Visuals, Helsinki

ML530 2P