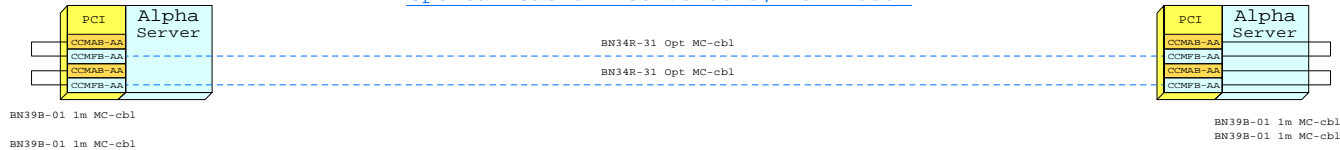


Single / Dual Connection, Copper, Max 10m

Part Number	Qty	Description
BN39B-10	2	10m copper cbl for CCMAB Mem.Chan
CCMAB-AA	4	PCI Mem. Channel-2 Cluster cntrl

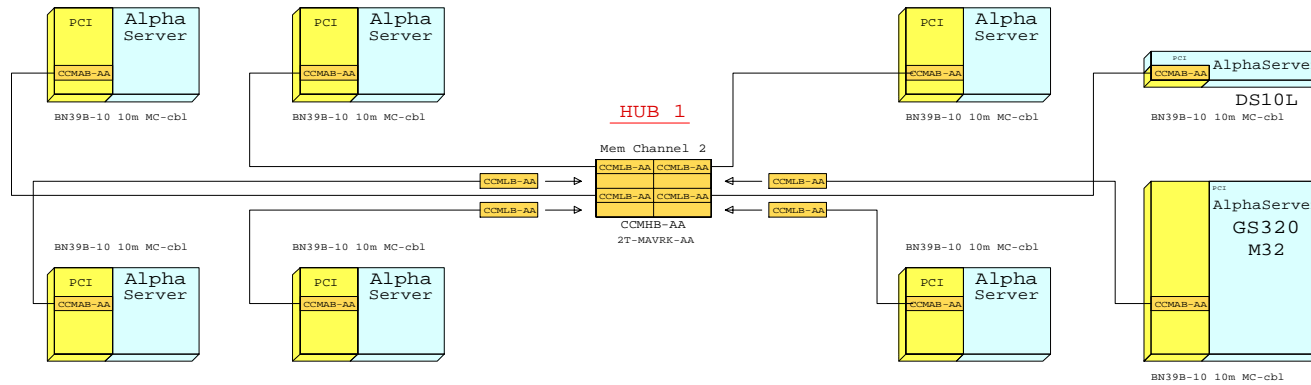
Optical Cable + Converters, Max 2000m



Single / Dual Connection, Optical, Max 2000m

Part Number	Qty	Description
BN34R-31	2	31m opt cbl singl mode Mem.Chan
BN39B-01	4	01m copper cbl for CCMAB Mem.Chan
CCMAB-AA	4	PCI Mem. Channel-2 Cluster cntrl
CCMFB-AA	4	F-optic Conv. for CCMHB Mem.Chan-2

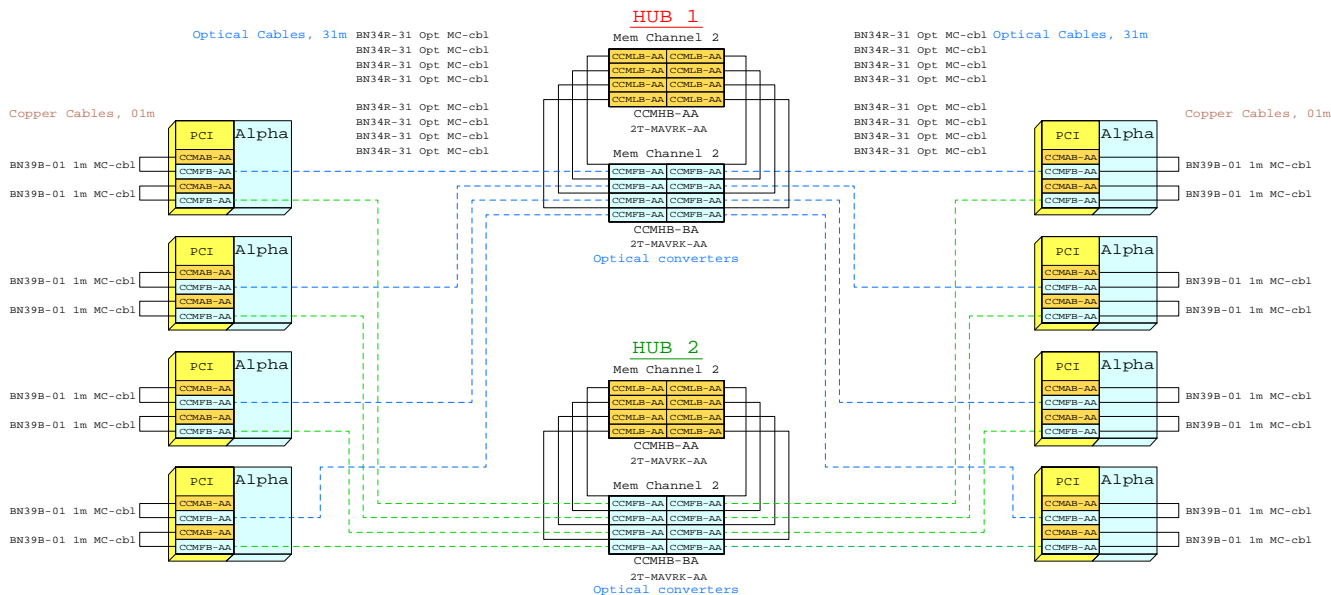
8 Node, Copper Cable, Max 2x10m



8 Node, Copper Cable, Max 2x10m

Part Number	Qty	Description
2T-MAVRK-AA	1	RM HW Kit for CCMHB Mem.Chann-2
BN39B-10	8	10m copper cbl for CCMAB Mem.Chan
CCMAB-AA	8	PCI Mem. Channel-2 Cluster cntrl
CCMHB-AA	1	HUB for Mem.Chan-2 W 4x linecards
CCMLB-AA	4	Line Card for CCMHB Mem.Chann-2 hub

8 Node, Dual Connection, Optical, Max 3000m



8 Node, Dual Connection, Optical, Max 3000m

Part Number	Qty	Description
2T-MAVRK-AA	4	RM HW Kit for CCMHB Mem.Chann-2
BN34R-31	16	31m opt cbl singl mode Mem.Chan
BN39B-01	16	01m copper cbl for CCMAB Mem.Chan
CCMAB-AA	16	PCI Mem. Channel-2 Cluster cntrl
CCMFB-AA	32	F-optic Conv. for CCMHB Mem.Chan-2
CCMHB-AA	2	HUB for Mem.Chan-2 W 4x linecards
CCMHB-BA	2	HUB for Mem.Chan-2 W NO linecards
CCMLB-AA	8	Line Card for CCMHB Mem.Chann-2 hub