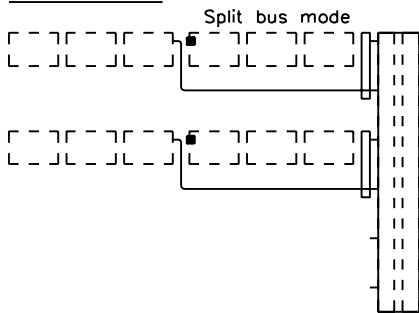


**SW821-GA/GB**

120V/240V

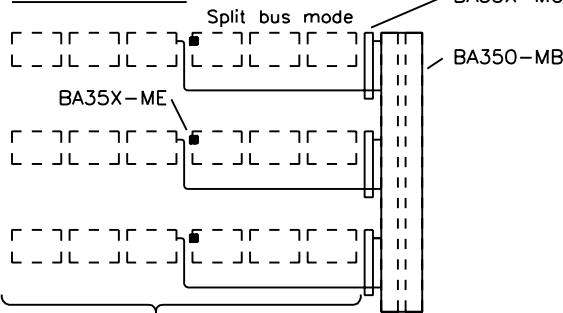
High Bandwidth



**SW820-GA/GB**

120V/240V

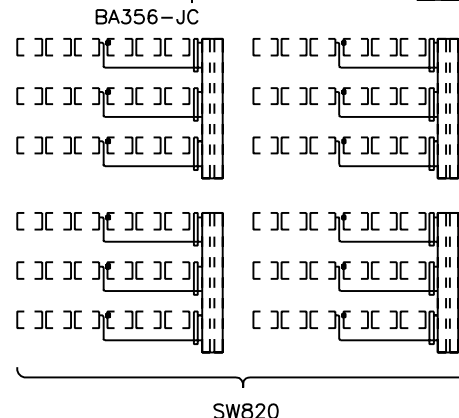
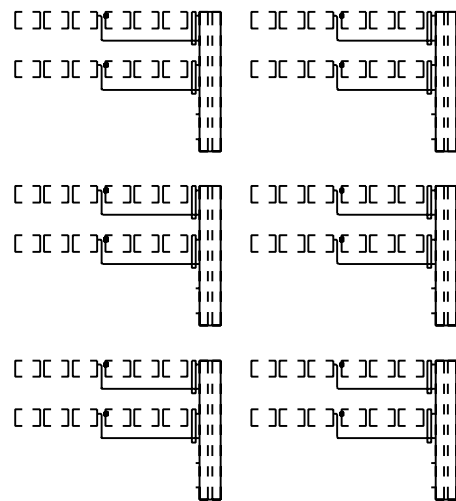
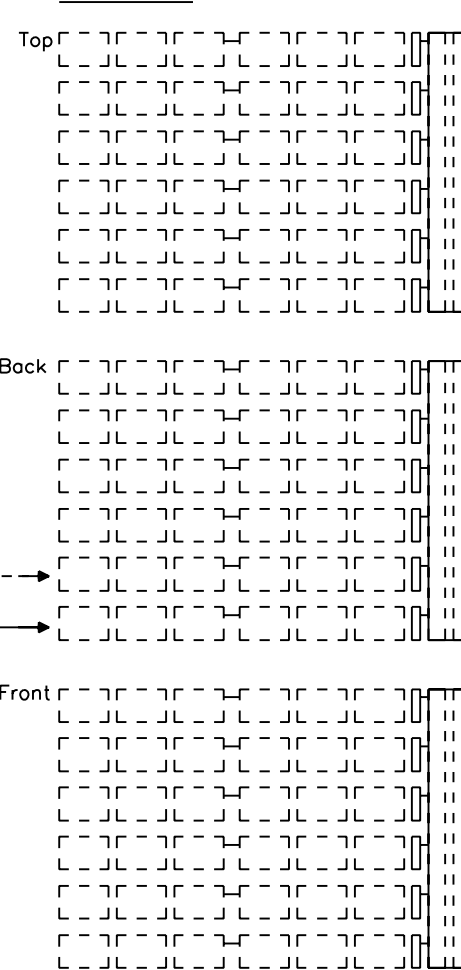
Mixed Application



**SW822-GA/GB**

120V/240V

I/O Intensive



2.1GB      4.3GB      9.1GB  
 DS-RZ28L-VA   DS-RZ29L-VA   DS-RZ40-VA  
 DS-RZ1BB-VW   DS-RZ1CB-VW   DS-RZ1DB-VW

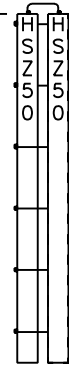
Disk drives  
 RZ1DB  
 9.0GB

Platform Software Kit

Digital UNIX    QB-5JCAB-SA  
 OpenVMS        QB-5JCAC-SA  
 WNT/Alpha      QB-5JCAD-SA

Additional Controller Software

QB-5JCAA-SA



HSZ52-AF    Controller pair, 32+32MB  
 HSZ52-AH    Controller pair, 64+64MB  
 HSZ52-AJ    Controller pair, 128+128MB

- dual power
- 3x controller shelves    BA350-MB
- 18x storage shelves    BA356-JC
- 18x 8-bit I/O module    BA35x-MG
- 18x SCSI cables        BN21H-01/02

**digital**    6-Jul-1997    Detail Layer  
 GES016

StorageWorks SW820  
 GOLDEN EGGS Visual Configurations, Helsinki

SW820