

VAXstation 4000 Model 96 System

OpenVMS

#1 PV71A-BD 64MB 2D/LCSPX 1GB CD NAS150 NO monitor

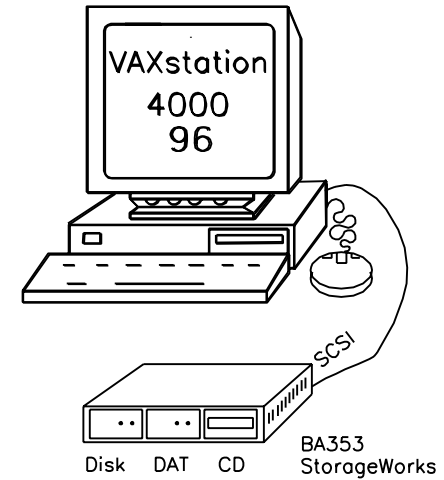
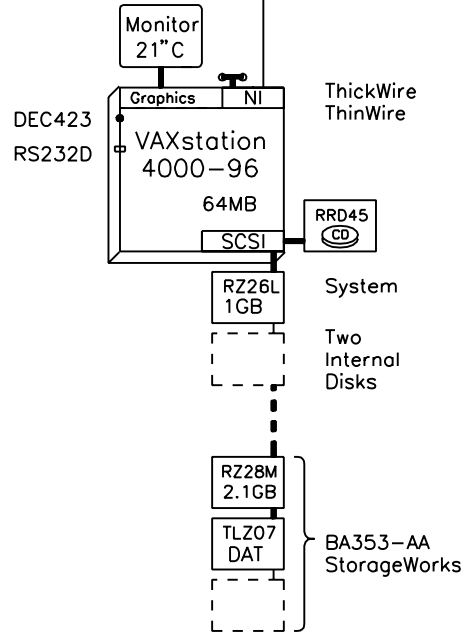
For 240V Use Select Country Kit = KB + Power Cord.

#2 **FCP01-AE** **GB** -AH **NL** -AN **N**
 #3 -AB **B** -AI **I** -AP **F**
 LK401- -AD **DK** -AK **CH** -AS **E**
 -AF **FI** -AL **CH** -AT **IL**
 -AG **D** -AM **S** -AV **P**

Monitor
66/72HZ

Monitor
21" C

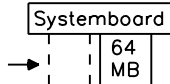
VRT17-PA/P4 17"
VRC21-LA/L4 21"



Internal Options:

Memory Expansion

MS44L-BC	16MB	Max Memory=128MB
MS44-DC	64MB	



Internal Storage

RZ28M-EN	1GB	Max two internal hard disks.
RZ28D-EN	2GB	

External Options:

BA353 StorageWorks

BA353-AA Empty Box
BA353-AE With RRD43

BC09D-03
SCSI Cable 6ft

BN19C-2E
240V

3.5" SBB

RZ26L-VA 1GB
RZ28M-VA 2GB
TLZ07-VA 8GB
DAT

TZ88N-TA 40GB
BC06P-2F
BN19C-2E

External Options

SCSI-cable BN31W-01 50pin LD

RRD45-AA 4x CD

RZxx

RZ26L-VW 1GB
RZ28D-VW 2.1GB
RZ29B-VW 4.3GB

TLZ09-VA 8GB DAT

BA364-AA/AB 120/240V
BA362-AA/AB
BA36X-AA Stack Kit

BN19C-2E 240V

Multi-User License Upgrade

QL-XULA9-BB 1-user

Board Upgrades:

PV71U-BF 60 to 96 LCSPX
PV71U-BH 90/90A to 96 LCSPX

ClusterWide License Rating: 10 (B)
Software Processor Code: B

digital 17-Feb-1997 Detail Layer
GEV40E

59VUPs
46SPECmark
4096

VAXstation 4000 Model 96
GOLDEN EGGS Visual Configurations, Helsinki