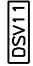
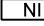
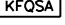



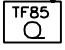
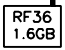
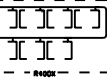
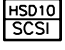
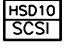

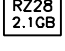
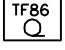
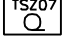
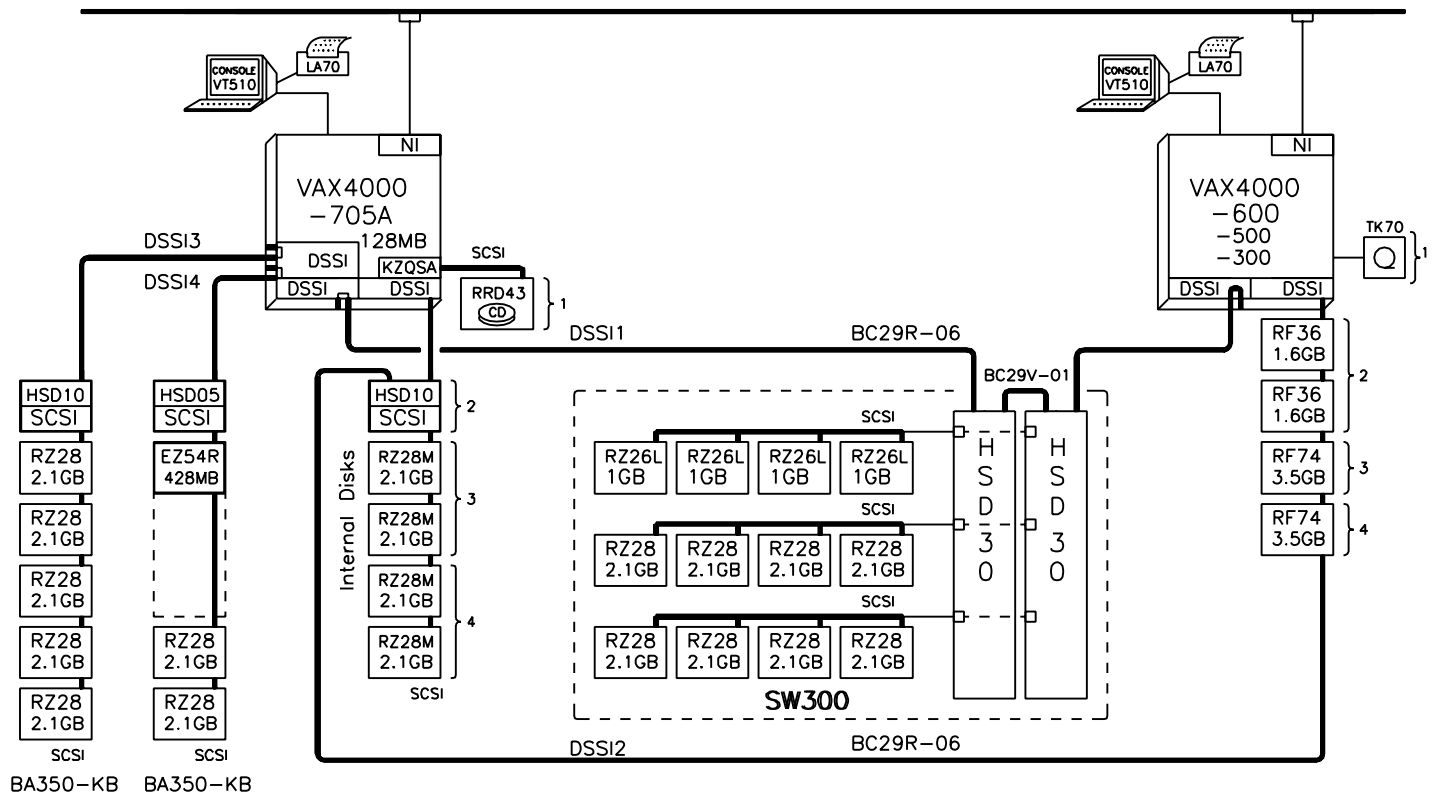


# 4000 OPTIONS

Mgf. Inst.  
Field Inst.

- 64MB MS690-CA
- 128MB MS690-DA
  
-  2X Synch RS232  
DSV11-SA/SF
-  DESQA-SA/SF
-  KFQSA-SE/SG
-  KZQSA-SA/SF
  
-  KFDDB-AA/AF  
Dual DSSI
-  RRD43-JA/JF  
KZQSA-SA/SF
-  TF85E-JA/JF 2.6GB  
TF86E-JA/JF 6GB
  
-  RF36E-AA/AF  
RF36U-AF Add-in  
RF362-AA/AF
  
-  R400X-B9  
BN22D-2E
  
-  HSD10-JA/JF  
Internal
-  HSD10-AA  
BC29R-06  
BA350-KB  
External
-  RZ26L-AA/AF  
RZ262-AA/AF
-  RZ28E-AA/AF  
RZ282-AA/AF
  
-  TF86-TA  
CK-SF100-LP  
BN19C-2E
-  TSZ07-CA  
TSZK7-AG  
KZQSA-SA

TableTop



**VAX 4000 ADVANTAGE SERVERS** OpenVMS Base License

<b>4000-505A</b>	<b>32VUPs</b>	<b>200tpsA</b>	<b>DV-45AFC-EA</b>	64MB	2GB	CD	NAS200
<b>4000-705A</b>	<b>49VUPs</b>	<b>280tpsA</b>	<b>DV-47AFC-FA</b>	128MB	2GB	CD	NAS200

- QL-XULA9-BB OpenVMS VAX 1-user V5.5
- QL-09SA9-BB OpenVMS VAX Distributed 1-user V6.1
- QA-09SAA-H8 OpenVMS CD + base doc.
- QA-VWJ8A-A8 OpenVMS and layered product binaries on CD
- QA-MC1AA-H8 NAS200 CD and Doc

**NAS200:**  
DECnet, TCP/IP, PATHWORKS,  
Polycenter Software Distribution Client,  
DECwindows Motif, ObjectBroker,  
DECmessageQ, and DECprint

**VAX 4000 xxA upgrades**  
To 505A 691XU-??  
To 705A 694XR-??

ClusterWide Licence Rating: 300 (G)  
Software Processor Code: 2

GEV4705B

**digital** 21-Nov-1995 Detail Layer  
GOLD4705b

VAX 4000 Model 705A - 505A  
GOLDEN EGGS Visual Configurations, Helsinki

49VUPs  
280tpsA  
**4705A**