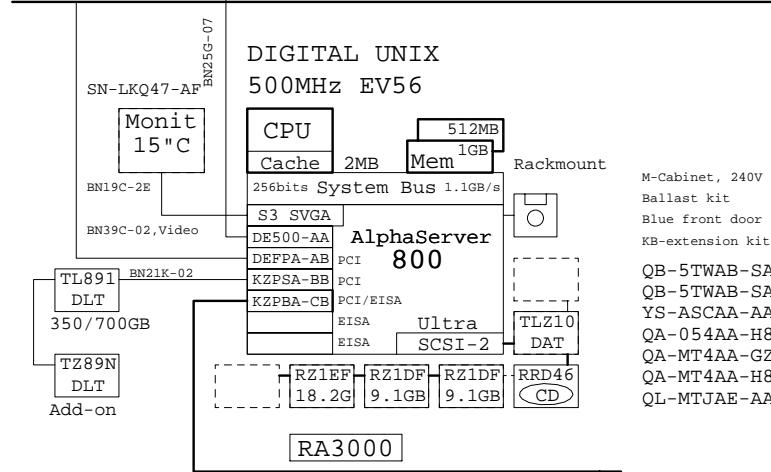


800 expanded single cabinet system

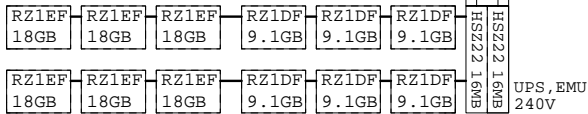
800 single pedestal system

Ethernet
FDDI

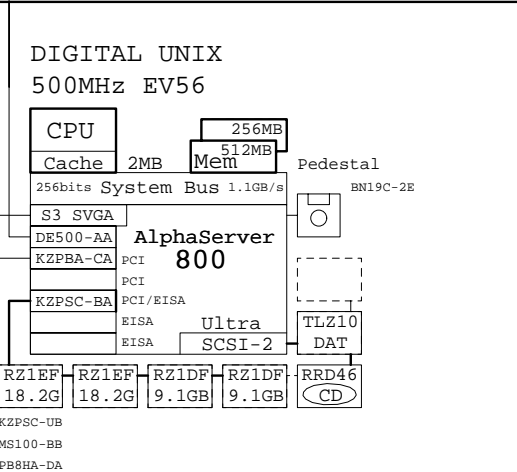


QB-5TWAB-SA Sol sw RA3000 Alp UN
 QB-5TWAB-SA Sol sw RA3000 Alp UN
 YS-ASCAA-AA M-CAB/SYS/STO Assemb
 QA-054AA-H8 SW LP PKG U/A CDRM/D
 QA-MT4AA-GZ Dig UNIX Alpha DOC F
 QA-MT4AA-H8 Dig UNIX Alpha CDRM
 QL-MTJAE-AA Dn-Plus ES U/A Trad

RA3000 Rack Mount Controller Shelf



Code	Quant.	Description
2T-450KM-AA	1	Video/mouse/kb ext cable
BN19C-2E	1	PowerCable 240V, C-Europe
BN21K-02	1	68HD SCSI cable 2m
BN25G-07	1	17-03212-05 8MP-8MP PATCH CBL
BN39C-02	1	1.8 Video Extension Cable ****
DE500-AA	1	PCI/FAST Ethernet, CAT 5 UTP
DEFPA-AB	1	PCI to FDDI SAS
DS-HSZ22-AA	1	HSZ22 controller 16MB
DS-RZ1DF-VW	6	9.1GB 7200 UltraSCSI 16bit
DS-RZ1EF-VW	6	18.2GB 7200 UltraSCSI Disk
DS-SWXRA-GK	1	RA3000 Rackmount one HSZ22 240V
DS-SWXRA-GN	2	RA3000 Rackmount Expan 120/240
DS-TL891-NE	1	10 slot 1 TZ89 Min Lib RM FWD
DS-TL892-UA	1	Add-on Dr for DS-TL891-xx
H9A10-MD	1	M-Series Cab,H9A10,Blue,240V
H9C10-MC	1	Ballast Kit for cabinets
H9C10-TF	1	FrontDoorKit Blue for H9A10
KZPBA-CB	1	PCI to UltraSCSI Adapter Uwdif
KZPSA-BB	1	PCI-HOST FWD Bus Adapter
PB82S-FF	1	AS800 5/500 1GB CD RM UNIX
PB8MA-AF	1	Asr800 -512MB EDO DIMM Memory
QA-054AA-H8	1	SW LP PKG U/A CDRM/DOC
QA-MT4AA-GZ	1	Dig UNIX Alpha DOC Full
QA-MT4AA-H8	1	Dig UNIX Alpha CDRM
QB-5TWAB-SA	2	Sol sw RA3000 Alp UNIX
QL-MTJAE-AA	1	Dn-Plus ES U/A Trad Lic
RZ1DF-SB	2	9.1GB 7200RPM UltraSCSI 16Bit
RZ1EF-SB	1	18.2G 7200RPM UltraSCSI Disk
SN-LKQ47-AF	1	102 KEY KYBD, NON-WIN, Finnish
SN-VRQV5-24	1	COMPAQ V55 CLR MON,NH,TCO95
TLZ10-LK	1	TLZ10 for AServr 800/1200/4000
YS-ASCAA-AA	1	M-CAB/SYS/STO Assembly



QA-054AA-H8 SW LP PKG U/A CDRM/D
 QA-MT4AA-GZ Dig UNIX Alpha DOC F
 QA-MT4AA-H8 Dig UNIX Alpha CDRM
 QL-MTJAE-AA Dn-Plus ES U/A Trad

Code	Quant.	Description
BN19C-2E	3	PowerCable 240V, C-Europe
BN21K-02	1	68HD SCSI cable 2m
BN25G-07	1	17-03212-05 8MP-8MP PATCH CBL
BN39C-02	1	1.8 Video Extension Cable ****
DE500-AA	1	PCI/FAST Ethernet, CAT 5 UTP
DS-TZ89N-TA	1	35/70GB SE DLT-tape TT FWSE
KZPBA-CA	1	PCI to UltraSCSI Adapter UWSE
KZPSC-BA	1	PCI BACPLANE RAID 3 CHANNEL
KZPSC-UB	1	Battery Backup for KZPSC
MS100-BB	1	8MB EDRAM SSIMM for KZPAC
PB82C-FE	1	AS800 5/500 512MB CD Ped UNIX
PB8HA-DA	1	Asr800 Internal scsi cable
PB8MA-AE	1	Asr800 -256MB EDO DIMM Memory
QA-054AA-H8	1	SW LP PKG U/A CDRM/DOC
QA-MT4AA-GZ	1	Dig UNIX Alpha DOC Full
QA-MT4AA-H8	1	Dig UNIX Alpha CDRM
QL-MTJAE-AA	1	Dn-Plus ES U/A Trad Lic
RZ1DF-SB	2	9.1GB 7200RPM UltraSCSI 16Bit
RZ1EF-SB	2	18.2G 7200RPM UltraSCSI Disk
SN-LKQ47-AF	1	102 KEY KYBD, NON-WIN, Finnish
SN-VRQV5-24	1	COMPAQ V55 CLR MON,NH,TCO95
TLZ10-LK	1	TLZ10 for AServr 800/1200/4000

COMPAQ 31-Dec-1998 GTAU081
www.digital.com/golden-eggs

AlphaServer 800 UNIX systems
 GOLDEN EGGS Visual Configurations, Helsinki

This configuration diagram is generated with fresh GOLDEN EGGS Software.
 This template is included in the present GOLDEN EGGS Software kit.

800