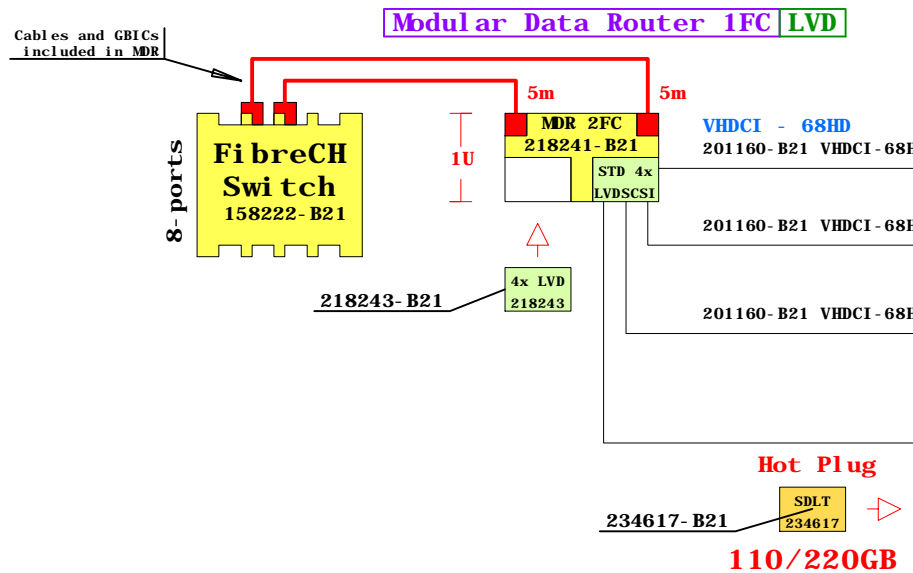
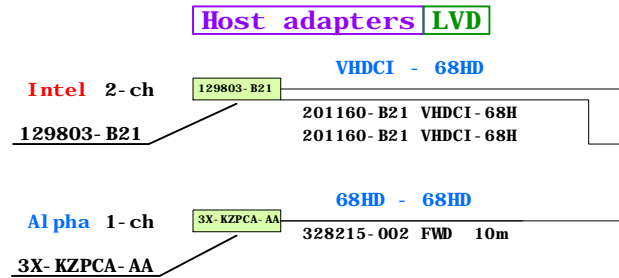
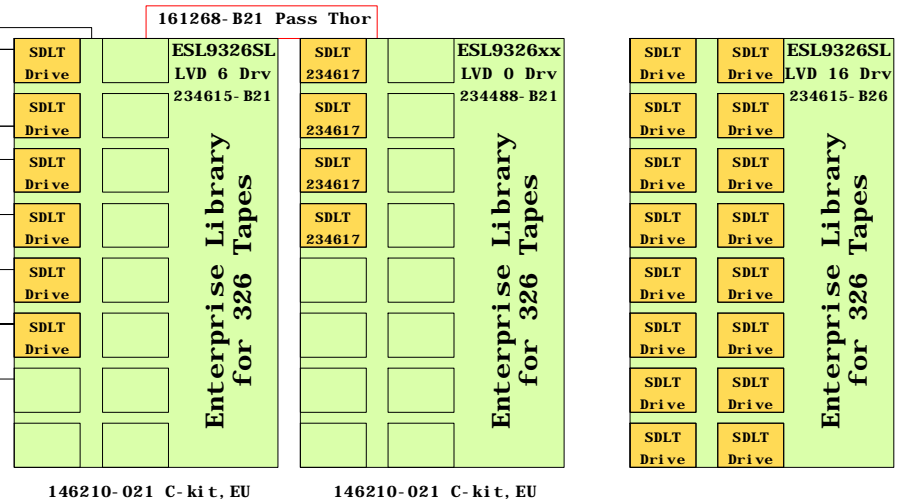


**SCSI terms:**

- LVD** Low Voltage Differential
- HVD** High Voltage Differential
- VHDCI** Very High Density Cable Interconnect
- 68HD** 68 pin High Density



**ESL9326SL Enterprise Library LVD**



Max 5 tape libraries together

**BOM of LVD options above**

	Part Number	Qty	Description
1	234488- B21	1	ESL9326xx Library 0 driv 110/220GB LVD
1.1	234617- B21	4	ESL9k Hot-plug Drive 110/220GB LVD
2	234615- B21	1	ESL9326SL Library 6 driv 110/220GB LVD
3	234615- B26	1	ESL9326SL Library 16 driv 110/220GB LVD
4	158222- B21	1	SAN Switch 8 Ports
5	218241- B21	1	Mod. Data Router 2xFC, 4xLVD, 4xGBIG, 2X5m
6	161268- B21	1	ESL9000 Pass thorough mechanism kit
7	201160- B21	5	Ultra Cbl VHDCI - 68HD 10m
8	328215- 002	1	Wide Differential SCSI Cable Kit 10m
9	146210- 021	2	ESL9000 Power Country Kit, Europe
10	218243- B21	1	Mod. Data Router 4-port LVDscsi option
11	234617- B21	1	ESL9k Hot-plug Drive 110/220GB LVD
12	129803- B21	1	Dual CH UWD SCSI dapter LVD 2xVHDCI
13	3X- KZPCA- AA	1	Single channel LVD adapter

This template is included in the present GOLDEN EGGS Software kit.

**ESL9326**

[www.Compaq.com/golden-eggs](http://www.Compaq.com/golden-eggs)

Since: Mar- 2001

**COMPAQ**

24- Aug- 2001 GTESL9326b

Matti.Patari@Compaq.com

ESL9326SL Enterprise Library  
GOLDEN EGGS Visuals, Helsinki