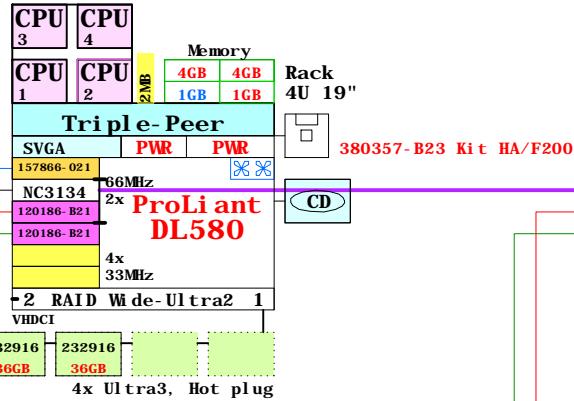
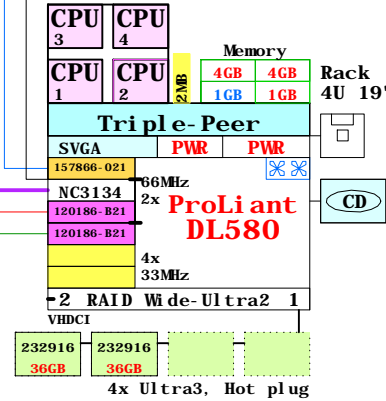


Compaq ProLiant DL580 2P

Pentium III Xeon
900MHz 155618-423

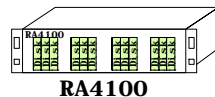
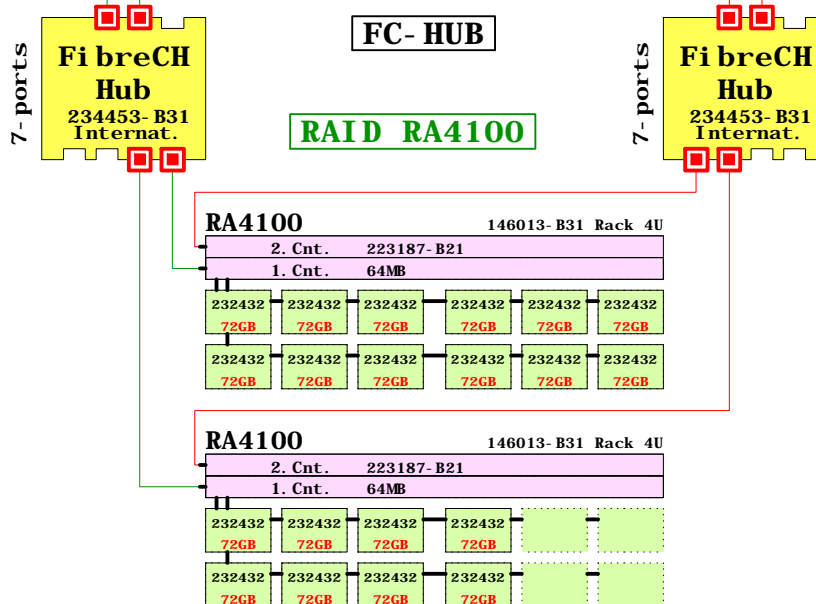


Pentium III Xeon
900MHz 155618-423



213076-B21 Secure Path W2k
Needed for each node
if NOT clustered.

136127-B21 Rack kit for Hub7



BOM of this Cluster

	Part Number	Qty	Description
1	155618-423	1	ProLiant DL580 2P 900MHz 1GB rack 4U
1.1	120186-B21	2	FC Host Adapter kit PCI 64bit/66MHz
1.2	157866-021	1	CPQ Remote Insight manager kit
1.3	189081-B21	1	1GB PC100 CL2 ECC SDRAM (4x256MB)
1.4	189083-B21	2	4GB PC100 CL2 ECC SDRAM (4x1GB)
1.5	222627-B21	2	Pentium III Xeon 900-2MB processor kit
1.6	232916-B22	2	36GB 15000r Ultra3 SCSI disk 1"
2	155618-423	1	ProLiant DL580 2P 900MHz 1GB rack 4U
2.1	120186-B21	2	FC Host Adapter kit PCI 64bit/66MHz
2.2	157866-021	1	CPQ Remote Insight manager kit
2.3	189081-B21	1	1GB PC100 CL2 ECC SDRAM (4x256MB)
2.4	189083-B21	2	4GB PC100 CL2 ECC SDRAM (4x1GB)
2.5	222627-B21	2	Pentium III Xeon 900-2MB processor kit
2.6	232916-B22	2	36GB 15000r Ultra3 SCSI disk 1"
3	146013-B31	1	RAID Array 4100 64MB Rack 4U
3.1	223187-B21	1	RA4000 Redundant Controller
3.2	232432-B22	12	72.8GB 10000r Ultra3 SCSI disk 1"
4	146013-B31	1	RAID Array 4100 64MB Rack 4U
4.1	223187-B21	1	RA4000 Redundant Controller
4.2	232432-B22	8	72.8GB 10000r Ultra3 SCSI disk 1"
5	234453-B31	2	Fibre Channel Hub 7 Ports International
6	136127-B21	1	Rack mount kit for Hub 7, universal
7	380357-B23	1	ProLiant HA/F200 Cluster kit NT/W2k

www.compaq.com/golden-eggs

Since: Oct-2001

COMPAQ

12-Nov-2001 GTIDL580b1
Matti.Patari@Compaq.com

ProLiant DL580 2P FC-Hb/RA4100
GOLDEN EGGS Visuals, Helsinki

DL580 4P