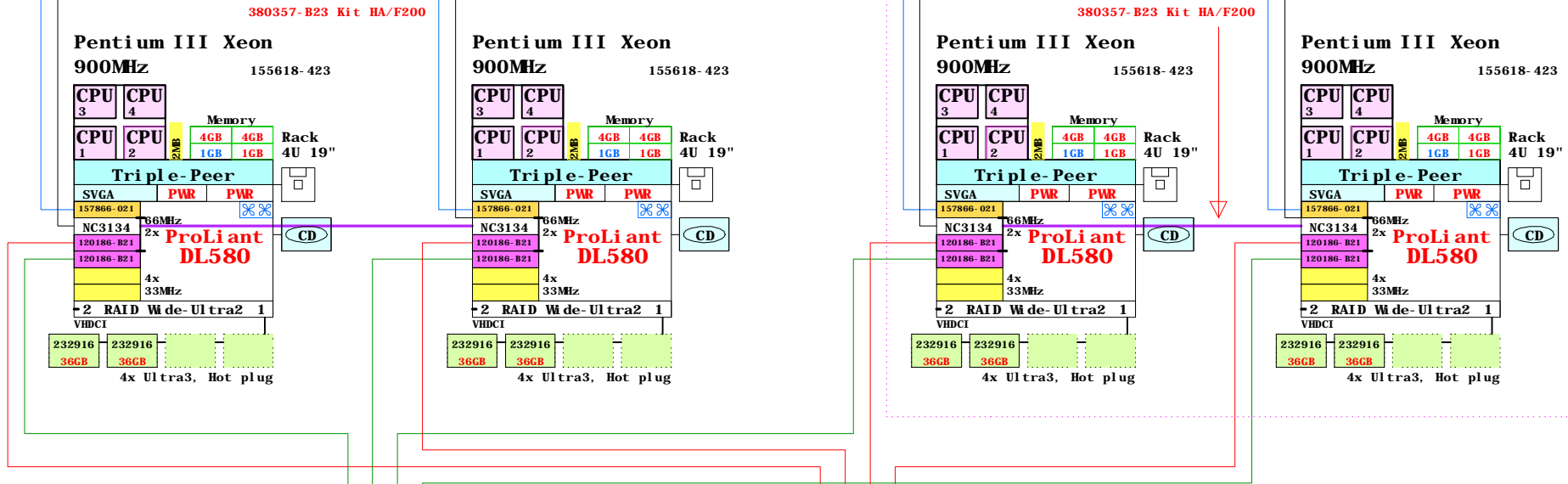
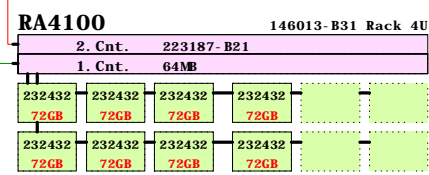
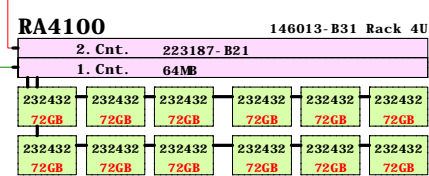
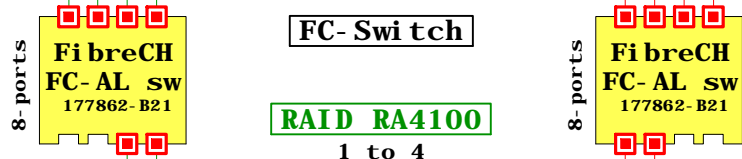


Compaq ProLiant DL580 2P

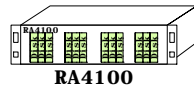


167365- B21 Rack kit for SANsw

167365- B21 Rack kit for SANsw



Note:
Each RA4100 is reserved for a Cluster of its own, for two hosts.



BOM, one pair of DL580s/Cluster

Part Number	Qty	Description
155618-423	1	ProLiant DL580 2P 900MHz 1GB rack 4U
120186- B21	2	FC Host Adapter kit PCI 64bit/66MHz
157866- 021	1	CPQ Remote Insight manager kit
189081- B21	1	1GB PC100 CL2 ECC SDRAM (4x256MB)
189083- B21	2	4GB PC100 CL2 ECC SDRAM (4x1GB)
222627- B21	2	Pentium III Xeon 900-2MB processor kit
232916- B22	2	36GB 15000r Ultra3 SCSI disk 1"
155618-423	1	ProLiant DL580 2P 900MHz 1GB rack 4U
120186- B21	2	FC Host Adapter kit PCI 64bit/66MHz
157866- 021	1	CPQ Remote Insight manager kit
189081- B21	1	1GB PC100 CL2 ECC SDRAM (4x256MB)
189083- B21	2	4GB PC100 CL2 ECC SDRAM (4x1GB)
222627- B21	2	Pentium III Xeon 900-2MB processor kit
232916- B22	2	36GB 15000r Ultra3 SCSI disk 1"
380357- B23	1	ProLiant HA/F200 Cluster kit NT/W2k

BOM of external storage

Part Number	Qty	Description
146013- B31	1	RAID Array 4100 64MB Rack 4U
223187- B21	1	RA4000 Redundant Controller
232432- B22	12	72.8GB 10000r Ultra3 SCSI disk 1"
146013- B31	1	RAID Array 4100 64MB Rack 4U
223187- B21	1	RA4000 Redundant Controller
232432- B22	8	72.8GB 10000r Ultra3 SCSI disk 1"
177862- B21	2	Fibre Channel SW FC-AL Switch 8
167365- B21	2	Rack mount kit for SAN switch

www.Compaq.com/golden-eggs

Since: Oct- 2001

COMPAQ	12- Nov- 2001	GTIDL580b2
	Matti.Patari@Compaq.com	

ProLiant DL580 2P FC-Sw/RA4100
GOLDEN EGGS Visuals, Helsinki

DL580 4P