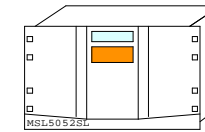


SCSI terms:

- LVD Low Voltage Differential
- HVD High Voltage Differential
- VHDCI Very High Density Cable Interconnect
- 68HD 68 pin High Density

Modular Data Router 2FC LVD

MSL5052SL SDLT Library,Rack LVD



MSL5052SL

157215-021 C-kit, Eu
188527-B26 SDLT 20pa

BOM of options on the left, Rack mount

| Part Number | Qty | Description |
|-------------|-----|---|
| 3X-KZPCA-AA | 1 | Single channel LVD adapter |
| 129803-B21 | 1 | Dual CH UWD SCSI dapter LVD 2xVHDCI |
| 157215-021 | 1 | Country Kit Europe for TL891 DLX |
| 158222-B21 | 1 | SAN Switch 8 Ports |
| 188527-B26 | 1 | SDLT Media 20 pack all |
| 201160-B21 | 1 | Ultra Cbl VHDCI - 68HD 10m |
| 218241-B21 | 1 | Mod. Data Router 2xFC,4xLVD,4xGBIG,2X5m |
| 218243-B21 | 1 | Mod. Data Router 4-port LVDscsi option |
| 231823-B22 | 4 | MSL5000 Add-on Drive SDLT110/220,LVD |
| 231824-B21 | 1 | MSL5026 Pass-Thorough Mechanism |
| 231824-B23 | 2 | MSL5052SL Pass-Thorough Extender 10U |
| 249491-B21 | 3 | MSL5052SL SDLT Lib.2xDrive,RackM,LVD |
| 255102-B21 | 1 | MSL5052SL SDLT Lib.0xDrive,RackM,LVD |
| 341175-B21 | 10 | VHDCI to VHDCI SCSI Cable 12ft |

BOM of options, TableTop

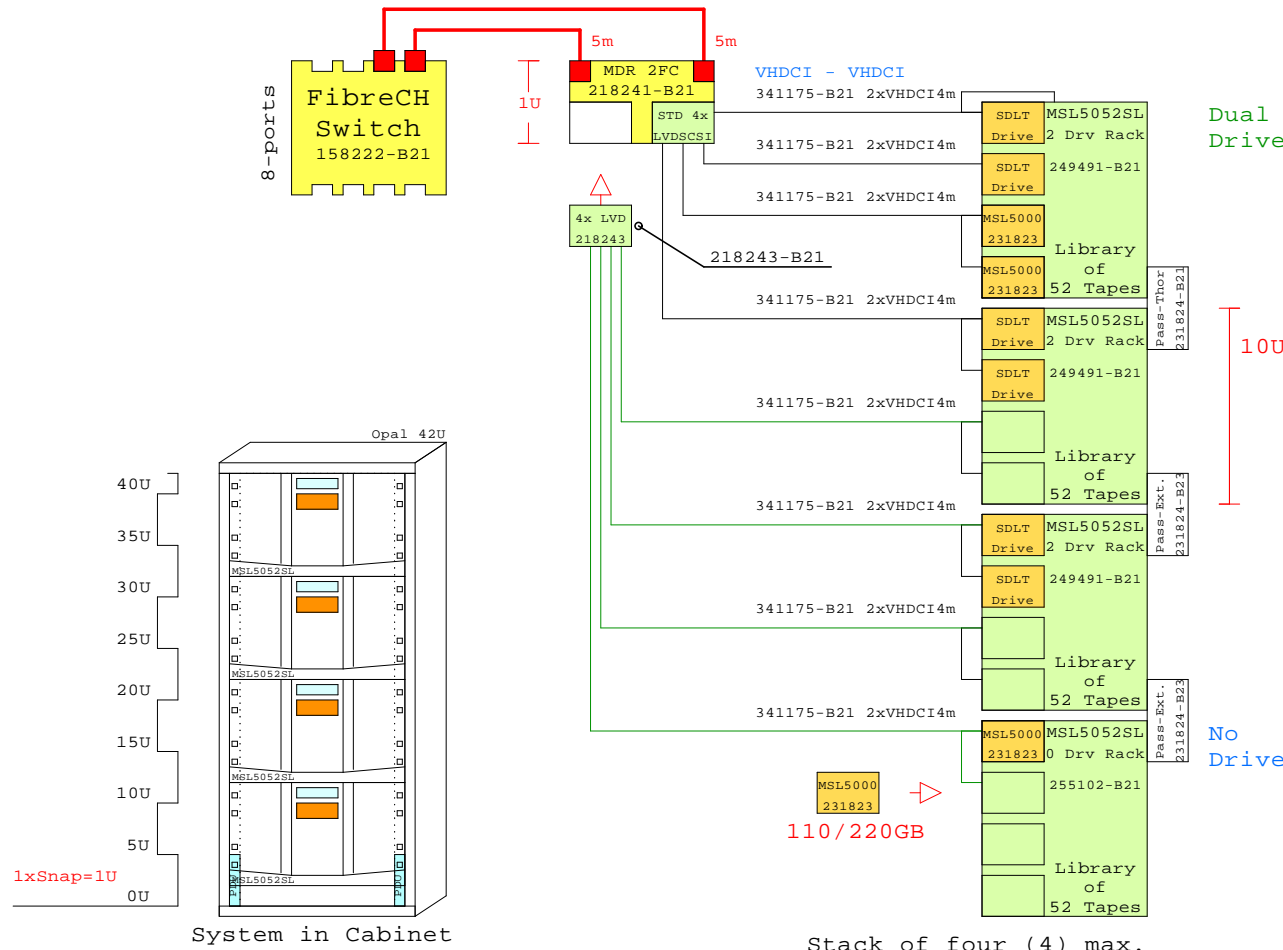
| Part Number | Qty | Description |
|-------------|-----|---------------------------------------|
| 249490-B21 | 1 | MSL5052SL SDLT Lib.2xDrive,TableT,LVD |

www.Compaq.com/golden-eggs

Since:Mar-2002

| | | |
|---------------|-------------------------|------------|
| COMPAQ | 19-Mar-2002 | GTMSL5052a |
| | Matti.Patari@Compaq.com | |

MSL5052SL SDLT Library
GOLDEN EGGS Visuals, Helsinki



1xSnap=1U

System in Cabinet

Stack of four (4) max.

This template is included in the present GOLDEN EGGS Software kit.

MSL5052