

HP ACMS for OpenVMS

Writing Server Procedures

Order Number: AA-N691K-TE

January 2006

This manual describes how to write programs to use with tasks and how to debug tasks and programs. This manual also describes how *HP ACMS for OpenVMS* (ACMS) transaction processing (TP) software works with third-party database managers. It also describes how ACMS TP software works with HP's APPC/LU6.2 programming interface software to communicate with an IBM CICS application on an IBM system.

Revision/Update Information:	This manual supersedes <i>HP ACMS for OpenVMS Writing Server Procedures</i> , Version 4.5A.
Operating System:	OpenVMS Alpha Version 8.2 OpenVMS I64 Version 8.2-1
Software Version:	<i>HP ACMS for OpenVMS</i> , Version 5.0

Hewlett-Packard Company
Palo Alto, California

© Copyright 2006 Hewlett-Packard Development Company, L.P.

Confidential Computer Software. Valid license from HP required for possession, use or copying. Consistent with FAR 12.211 and 12.212, Commercial Computer Software, Computer Software Documentation and Technical Data for Commercial Items are licenced to the U.S. Government under vendor's standard commercial license.

The information contained herein is subject to change without notice. The only warranties for HP products and services are set forth in the express warranty statements accompanying such products and services. Nothing herein should be construed as constituting an additional warranty. HP shall not be liable for technical or editorial errors or omissions contained here in.

Motif is a registered trademark of The Open Group.

Oracle is a registered US trademark of Oracle Corporation, Redwood City, California.

Oracle CODASYL DBMS, Oracle CDD/Administrator, Oracle CDD/Repository, Oracle Rdb, Oracle SQL/Services, Oracle Trace, and Oracle Trace Collector are registered US trademarks of Oracle Corporation, Redwood City, California.

Printed in the US

This document was prepared using VAX DOCUMENT Version 2.1.

Contents

Preface	xiii
----------------------	------

Part I User Information

1 Introduction to Server Procedures

1.1	Procedure Server Terminology	1-1
1.2	Understanding Server Procedures	1-3
1.2.1	Initialization, Termination, and Cancel Procedures	1-3
1.2.2	Step Procedures	1-4
1.3	Naming and Structuring a Server Procedure	1-5
1.4	Programming Services and Tools	1-6

2 Writing Initialization, Termination, and Cancel Procedures

2.1	Writing Initialization Procedures	2-1
2.1.1	Guidelines for Writing Initialization Procedures	2-2
2.1.2	Binding or Attaching to Databases	2-3
2.1.3	Initialization Procedures for Rdb Databases Using SQL	2-5
2.1.3.1	Specifying the Access Mode and Relations Used by the Server ...	2-6
2.1.3.2	Using COBOL	2-6
2.1.4	Initialization Procedures for Rdb Databases Using RDO	2-8
2.1.5	Initialization Procedures for DBMS Databases	2-10
2.1.5.1	Using COBOL	2-11
2.1.5.2	Using BASIC	2-12
2.1.6	Initialization Procedures for RMS Files	2-13
2.1.6.1	Using COBOL	2-14
2.1.6.2	Using BASIC	2-16
2.2	Writing Termination Procedures	2-19
2.2.1	Termination Procedures for Rdb Databases Using SQL	2-20
2.2.2	Termination Procedures for Rdb Databases Using RDO	2-21
2.2.3	Termination Procedures for DBMS Databases	2-22
2.2.4	Termination Procedures for RMS Files	2-22
2.2.4.1	Using COBOL	2-23
2.2.4.2	Using BASIC	2-24
2.3	Server Process Rundown	2-24
2.4	Using Cancel Procedures	2-26
2.4.1	Guidelines for Avoiding Cancel Procedures	2-28
2.4.2	Situations in Which Using Cancel Procedures Is Unavoidable	2-29
2.4.3	Using \$SETAST to Prevent Procedure Server Interruption	2-30
2.4.4	Conditions Under Which Cancel Procedures Are Called	2-31
2.4.5	Cancel Procedures in Distributed and Nondistributed Transactions ..	2-32

2.4.6	Writing a Cancel Procedure	2-32
2.4.6.1	Cancel Procedure for Rdb with RDO	2-34
2.4.6.2	Cancel Procedure for RMS Files	2-35

3 Writing Step Procedures

3.1	Using Workspaces with Step Procedures	3-1
3.1.1	Using ACMS-Supplied System Workspaces	3-2
3.1.2	Identifying Workspaces	3-3
3.2	Using Procedures in Distributed Transactions	3-4
3.2.1	Determining the Participation of a Procedure in a Distributed Transaction	3-5
3.2.2	Using Database Transactions or Recovery Units with Distributed Transactions	3-6
3.2.3	Obtaining the Transaction ID (TID)	3-7
3.2.4	Retaining Server Context in Distributed Transactions	3-7
3.2.5	Migrating Existing Step Procedures to Participate in Distributed Transactions	3-8
3.3	Returning Status to the Task Definition	3-8
3.3.1	Returning Status with a Status Return Facility	3-9
3.3.2	Returning Status in User-Defined Workspaces	3-10
3.3.2.1	COBOL Procedure for Returning Status in a User-Defined Workspace	3-11
3.3.2.2	BASIC Procedure for Returning Status in a User-Defined Workspace	3-12
3.4	Handling Error Conditions	3-13
3.4.1	Processing Error Messages	3-14
3.4.1.1	Using a Message File in the Task Definition	3-14
3.4.1.2	Using a Message File in the Step Procedure	3-15
3.4.1.3	Using Hard-Coded Messages in the Form	3-17
3.4.1.4	Using Hard-Coded Messages in the Step Procedure	3-18
3.4.2	Raising Exceptions in Step Procedures	3-19
3.4.2.1	Raising Recoverable Exceptions in Step Procedures	3-20
3.4.2.2	Raising Nonrecoverable Exceptions in Step Procedures	3-21
3.5	Performing Terminal I/O from a Procedure Server	3-22

4 Accessing Resource Managers

4.1	Using SQL with Rdb	4-2
4.1.1	Using Embedded SQL Statements in Step Procedures	4-3
4.1.2	Using SQL with Distributed Transactions	4-4
4.1.2.1	Defining an SQL Context Structure	4-5
4.1.2.2	Storing the TID in the SQL Context Structure	4-6
4.1.2.3	Passing the Context Structure to SQL	4-6
4.1.3	Starting and Ending SQL Database Transactions	4-7
4.1.3.1	Starting an SQL Database Transaction that is Part of a Distributed Transaction	4-7
4.1.3.2	Starting and Ending an Independent SQL Database Transaction	4-8
4.1.3.3	Using Rdb Transaction Mode and Lock Mode Specifications	4-8
4.1.3.4	Using an Rdb Wait Mode Specification	4-9
4.1.4	Reading from a Database	4-10
4.1.5	Writing to a Database	4-11
4.1.6	Handling Errors	4-12

4.1.7	Compiling Procedures that Use SQL	4-15
4.1.8	COBOL Step Procedure Using SQL with Rdb	4-15
4.2	Using Precompiled RDO or RDML with Rdb	4-20
4.2.1	Using RDO Statements in Step Procedures	4-20
4.2.2	Starting and Ending RDO Database Transactions	4-21
4.2.2.1	Starting an RDO Database Transaction that is Part of a Distributed Transaction	4-21
4.2.2.2	Starting and Ending an Independent RDO Database Transaction	4-23
4.2.3	Reading from a Database	4-23
4.2.4	Writing to a Database	4-24
4.2.5	Handling Errors	4-26
4.2.6	Compiling Rdb Procedures that Use RDO	4-27
4.3	Using DBMS	4-28
4.3.1	Using DBMS DML Statements in Step Procedures	4-28
4.3.2	Starting and Ending a DBMS Database Transaction	4-29
4.3.2.1	Starting a DBMS Database Transaction that Is Part of a Distributed Transaction	4-29
4.3.2.2	Starting and Ending an Independent DBMS Database Transaction	4-30
4.3.2.3	Using DBMS Access and Allow Mode Specifications	4-31
4.3.2.4	Using a DBMS Wait Mode Specification	4-31
4.3.3	Reading from a Database	4-32
4.3.4	Writing to a Database	4-34
4.3.5	Handling Errors	4-37
4.3.6	Compiling DBMS Procedures	4-40
4.4	Using RMS	4-41
4.4.1	Using Files Marked for RMS Recovery-Unit Journaling	4-41
4.4.2	Reading RMS Records	4-42
4.4.3	Writing and Updating RMS Records	4-43
4.4.4	Handling Errors	4-46

5 Using Message Files with ACMS Tasks and Procedures

5.1	Creating Source Files of Messages	5-1
5.1.1	Setting Up Message File Characteristics	5-2
5.1.2	Writing Messages	5-2
5.1.2.1	.FACILITY Statement	5-3
5.1.2.2	.SEVERITY Statements	5-3
5.1.2.3	Message Names and Text	5-4
5.2	Compiling Message Files	5-6
5.3	Displaying User-Defined Messages	5-7

6 Building Procedure Server Images

6.1	Steps in Building a Procedure Server Image	6-1
6.1.1	Writing the Source Code of the Procedure	6-2
6.1.2	Compiling the Source Code into a Procedure Object Module	6-2
6.1.3	Creating, Compiling, and Linking Message Files	6-3
6.1.4	Building the Task Group	6-3
6.1.5	Linking the Object Code of Procedures	6-3
6.2	Using an Object Library for Procedures	6-6

7 Debugging Tasks and Procedures

7.1	Using Debugging Tools	7-1
7.2	Preparing to Use the ACMS Task Debugger	7-2
7.2.1	Preparing Definitions	7-2
7.2.2	Preparing Procedures	7-3
7.2.3	Defining Logical Names	7-5
7.2.4	Preparing to Debug DECforms Escape Routines	7-6
7.2.5	Setting Up for Debugging with Two Terminals	7-7
7.2.6	Verifying that the ACMS Task Debugger Can Be Run	7-8
7.3	Using the ACMS Task Debugger	7-9
7.3.1	Starting the Task Debugger	7-9
7.3.2	Using the Task Debugger ASSIGN Command	7-10
7.3.3	Starting, Stopping, and Interrupting Servers	7-10
7.3.3.1	Starting Servers	7-11
7.3.3.2	Stopping Servers	7-12
7.3.3.3	Interrupting Servers	7-13
7.3.4	Setting and Removing Breakpoints in a Task	7-14
7.3.4.1	Setting Location and Event Breakpoints	7-15
7.3.4.2	Using a Dump File	7-17
7.3.4.3	Debugging a Task Called by Another Task	7-20
7.3.4.4	Removing Breakpoints	7-21
7.3.5	Running a Task in the ACMS Task Debugger	7-21
7.3.6	Checking Values in Workspaces	7-22
7.3.6.1	Checking Initial Values	7-22
7.3.6.2	Checking Entered Values	7-22
7.3.6.3	Checking Values in the ACMS\$PROCESSING_STATUS Workspace	7-23
7.3.7	Debugging Transaction Timeout Code	7-23
7.3.8	Stopping the Task Debugger	7-24
7.4	Using the OpenVMS Debugger	7-24
7.5	Returning to the ACMSDBG> Prompt	7-25
7.6	Debugging Tasks Called from a User-Written Agent Program	7-26

8 Debugging an Application in an ACMS Run-Time Environment

8.1	Moving from Debugging to a Run-Time Environment	8-1
8.2	Checking Files Needed to Run Tasks Under ACMS	8-3
8.3	Debugging Procedure Servers in the Run-Time Environment	8-3
8.3.1	Controlling Which Users Can Debug Servers	8-3
8.3.2	Using the ACMS/DEBUG/SERVER Command	8-4
8.3.3	Replacing a Faulty Server	8-5
8.4	Determining Why Servers Stop Unexpectedly	8-5
8.4.1	Collecting Server Information in a Dump File	8-6
8.4.2	Analyzing Server Process Dumps	8-7

Part II Reference Material

9 ACMS Programming Services

ACMS\$GET_TID	9-3
ACMS\$RAISE_NONREC_EXCEPTION	9-5
ACMS\$RAISE_STEP_EXCEPTION	9-7
ACMS\$RAISE_TRANS_EXCEPTION	9-9

10 ACMS Task Debugger Commands

@ (At sign) Command	10-3
ACCEPT Command	10-4
ASSIGN Command	10-5
CANCEL BREAK Command	10-6
CANCEL TASK Command	10-7
CANCEL TRANSACTION_TIMEOUT Command	10-8
DEPOSIT Command	10-9
EXAMINE Command	10-10
EXIT Command	10-11
GO Command	10-12
HELP Command	10-13
INTERRUPT Command	10-14
SELECT Command	10-16
SET BREAK Command	10-17
SET SERVER Command	10-18
SET TRANSACTION_TIMEOUT Command	10-19
SHOW BREAK Command	10-20
SHOW SERVERS Command	10-21
SHOW TRANSACTION_TIMEOUT Command	10-22
SHOW VERSION Command	10-23
START Command	10-24
STEP Command	10-26
STOP Command	10-27

Part III Interoperability with Third-Party Databases: Oracle Case Study

11 Overview of ACMS and Oracle

11.1	Why Use HP and ACMS?	11-1
11.2	Introduction to Developing ACMS Applications	11-2
11.2.1	Writing ACMS Definitions	11-3
11.2.2	Composition of ACMS Definitions	11-4
11.3	Introduction to Using ACMS with Third-Party Databases	11-5
11.4	How Do You Use ACMS with Oracle?	11-5

12 Implementation Details of the Sample Application

12.1	Execution Flow of the Sample Task	12-1
12.1.1	Task Definition	12-3
12.1.2	Form Definition	12-6
12.1.3	Read Database COBOL Step Procedure	12-7
12.2	Application, Task Group, and Menu Definitions	12-11
12.2.1	Application Definition	12-11
12.2.2	Task Group Definition	12-12
12.2.3	Menu Definition	12-14
12.3	Additional Procedure Server Components	12-15
12.3.1	Initialization Procedure	12-15
12.3.2	Termination Procedure	12-16
12.4	Field and Record Definitions	12-17
12.5	CASE Tools	12-19

Part IV Interoperability with IBM LU6.2 and CICS

13 Overview of ACMS and APPC/LU6.2

13.1	Why Use HP and ACMS?	13-1
13.2	Introduction to Developing ACMS Applications	13-1
13.2.1	Writing ACMS Definitions	13-3
13.2.2	Composition of ACMS Definitions	13-3
13.3	Introduction to Using the APPC/LU6.2 Programming Interface	13-5
13.4	How Do You Connect ACMS with IBM CICS Systems?	13-5

14 Implementation Details of the Sample Application

14.1	Execution Flow of the Sample Task	14-1
14.1.1	Task Definition	14-3
14.1.2	Prompt Form Definition	14-4
14.1.3	Read Database COBOL Step Procedure	14-6
14.1.4	Display Form Definition	14-11
14.2	Application, Task Group, and Menu Definitions	14-14
14.2.1	Application Definition	14-14
14.2.2	Task Group Definition	14-15
14.2.3	Menu Definition	14-17
14.3	Additional Procedure Server Components	14-17
14.3.1	Initialization Procedure	14-17
14.3.2	Termination Procedure	14-19
14.4	Field and Record Definitions	14-20

Part V Appendixes

A Summary of ACMS System Workspaces

A.1	ACMS\$PROCESSING_STATUS System Workspace	A-1
A.2	ACMS\$SELECTION_STRING System Workspace	A-3
A.3	ACMS\$TASK_INFORMATION System Workspace	A-3

B Libraries Included in AVERTZ Sample Procedures

B.1	VR_MESSAGES_INCLUDE.LIB	B-1
B.2	VR_LITERALS_INCLUDE.LIB	B-2
B.3	VR_SQL_STATUS_INCLUDE.LIB	B-2
B.4	VR_CONTEXT_STRUCTURE_INCLUDE.LIB	B-2

C Superseded Features

ACMSAD\$REQ_CANCEL	C-2
--------------------------	-----

Index

Examples

1-1	Declaration of Initialization and Termination Procedures in a Task Group Definition	1-4
1-2	Declaration of a Step Procedure in a Task Group Definition	1-4
1-3	Processing Step in a Task Definition	1-5
2-1	SQL Initialization Procedure	2-7
2-2	BASIC Initialization Procedure for Rdb Server	2-9
2-3	COBOL Initialization Procedure for DBMS	2-12
2-4	BASIC Initialization Procedure for DBMS	2-13
2-5	COBOL Initialization Procedure for RMS Server	2-15
2-6	BASIC Initialization Procedure for RMS Server	2-18
2-7	SQL Termination Procedure	2-20
2-8	COBOL Termination Procedure for RMS Files	2-23
2-9	BASIC Termination Procedure for RMS Files	2-24
2-10	Pseudocode for Using \$SETAST	2-31
2-11	Server Cancel Procedure in BASIC Using Rdb with RDO	2-34
2-12	Server Cancel Procedure in COBOL for RMS Files	2-35
2-13	Server Cancel Procedure in BASIC	2-37
3-1	Referencing a Workspace in a Task Definition	3-3
3-2	COBOL Procedure that Names a Workspace	3-3
3-3	CDD Record Definition for VR_CUSTOMERS_WKSP Workspace	3-4
3-4	Record Description for TASK_CONTROL	3-10
3-5	COBOL Procedure for Returning Status in a User-Defined Workspace	3-11
3-6	BASIC Procedure for Returning Status in a User-Defined Workspace	3-12
4-1	Task Definition that Calls Server Procedures Using SQL	4-3
4-2	Declaring the Database	4-4
4-3	Lock Specification Example	4-9
4-4	Indicator Array for Null Values	4-10
4-5	Selecting a Value from a Table	4-11
4-6	Writing to a Database	4-11
4-7	COBOL Procedure Using SQL with Rdb	4-16
4-8	Step Procedure in COBOL that Reads a DBMS Record	4-32
4-9	Step Procedure in BASIC that Reads a DBMS Record	4-34

4-10	Step Procedure in COBOL that Updates a DBMS Record	4-35
4-11	Step Procedure in BASIC that Updates a DBMS Record	4-36
4-12	Step Procedure in COBOL that Reads an RMS Record	4-42
4-13	Step Procedure in BASIC that Reads an RMS Record	4-43
4-14	Step Procedure in COBOL that Writes an RMS Record	4-44
4-15	Step Procedure in BASIC that Updates an RMS Record	4-45
5-1	Source File of Messages	5-5
6-1	LINK Command for a Procedure that Uses SQL	6-5
6-2	LINK Command for Servers Called by Tasks that Use the SQL RECOVERY Phrase	6-5
7-1	Task Definition with Breakpoint Symbols	7-17
7-2	Sample Task Group Dump File	7-18
8-1	Using the SERVER PROCESS DUMP Clause in an Application Definition	8-6
12-1	VR_DISPLAY_SITES_TASK Task Definition	12-3
12-2	VR_GET_SITES_PROC COBOL Step Procedure	12-7
12-3	AVERTZ_VR_APPLICATION Application Definition	12-11
12-4	VR_TASK_GROUP Task Group Definition	12-13
12-5	ACMS_SAMPLE_MENU Menu Definition	12-14
12-6	VR_INIT Initialization Procedure	12-15
12-7	VR_TERM Termination Procedure	12-16
12-8	Field Definitions	12-18
12-9	Record and Workspace Definitions	12-18
12-10	Text Library Record Definition	12-18
14-1	EMPLOYEE_INFO_READ_TASK Task Definition	14-3
14-2	EMPLOYEE_INFO_PROMPT_FORM Form Definition	14-4
14-3	READ_EMPL_INFO COBOL Step Procedure	14-6
14-4	EMPLOYEE_INFO_FORM Form Definition	14-11
14-5	EMPLOYEE_INFO_APPL_ACMS_APPC Application Definition	14-15
14-6	EMPLOYEE_INFO_TASK_GROUP Task Group Definition	14-16
14-7	EMPLOYEE_INFO_MENU Menu Definition	14-17
14-8	INIT_EMPL_INFO Initialization Procedure	14-18
14-9	TERM_EMPL_INFO Termination Procedure	14-19
14-10	Field Definitions	14-21
14-11	Record and Workspace Definitions	14-21

Figures

1-1	Procedure Server Terminology	1-2
1-2	Call to a Step Procedure in a Task Definition	1-4
3-1	How ACMS Applications Use Workspaces	3-2
4-1	Calling the Procedure VR_COMPLETE_CHECKOUT_PROC	4-2
5-1	Creating Message Files	5-6
6-1	Creating a Procedure Server Image	6-2
6-2	Compiling Source Code into Object Modules	6-3
6-3	Linking Object Modules into a Procedure Server Image	6-4
7-1	Files Needed for Debugging	7-4

11-1	Execution Flow of an ACMS Task Definition	11-2
11-2	ACMS Application Components	11-3
12-1	Execution Flow of the Sample Task	12-2
13-1	Execution Flow of an ACMS Task Definition	13-2
13-2	ACMS Application Components	13-3
13-3	How ACMS and APPC/LU6.2 Connect to an IBM Machine	13-6
14-1	Execution Flow of the Sample Task	14-2

Tables

2-1	Server Rundown	2-26
3-1	Values for ACMS\$T_STATUS_TYPE	3-9
3-2	Values for ACMS\$T_SEVERITY_LEVEL	3-10
7-1	Files Needed for Debugging	7-4
7-2	Control Characters for the ACMS Task Debugger	7-9
7-3	Location Breakpoint Symbols	7-15
7-4	Event Breakpoint Symbols	7-16
9-1	Summary of the ACMS Programming Services	9-1
9-2	Procedure Parameter Notation	9-2
10-1	ACMS Task Debugger Commands	10-1
12-1	Description of Code for VR_DISPLAY_SITES_TASK Task Definition	12-5
12-2	Description of Code for VR_GET_SITES_PROC COBOL Step Procedure	12-9
12-3	Description of Code for AVERTZ_VR_APPLICATION Application Definition	12-12
12-4	Description of Code for VR_TASK_GROUP Task Group Definition	12-13
12-5	Description of Code for ACMS_SAMPLE_MENU Menu Definition	12-15
12-6	Description of Code for VR_INIT Initialization Procedure	12-16
12-7	Description of Code for VR_TERM Termination Procedure	12-17
14-1	Description of Code for EMPLOYEE_INFO_READ_TASK Task Definition	14-3
14-2	Description of Code for READ_EMPL_INFO COBOL Step Procedure	14-10
14-3	Description of Code for EMPLOYEE_INFO_APPL_ACMS_APPC Application Definition	14-15
14-4	Description of Code for EMPLOYEE_INFO_TASK_GROUP Task Group Definition	14-16
14-5	Description of Code for EMPLOYEE_INFO_MENU Menu Definition	14-17
14-6	Description of Code for INIT_EMPL_INFO Initialization Procedure	14-18
14-7	Description of Code for TERM_EMPL_INFO Termination Procedure	14-20
A-1	Fields in the ACMS\$PROCESSING_STATUS Workspace	A-2
A-2	Field in the ACMS\$SELECTION_STRING Workspace	A-3
A-3	Fields in the ACMS\$TASK_INFORMATION Workspace	A-3

Preface

This manual explains how to write and debug procedures for *HP ACMS for OpenVMS* (ACMS) applications. It also provides reference information for the ACMS programming services and debugger commands.

In addition, HP is committed to maximizing a customer's use of existing hardware and software by offering interoperable, flexible, and reliable software such as ACMS, which can interoperate with third-party database products such as Oracle, and and interconnect products such as APPC/LU6.2. In keeping with this commitment, this manual contains guidelines for integrating *HP ACMS for OpenVMS* with third-party databases such as Oracle. In addition, this manual provides guidelines for tying together *HP ACMS for OpenVMS* and IBM® systems.

Intended Audience

This document is intended for persons who will:

- Write step procedures for ACMS tasks
- Write ACMS initialization, termination, and cancellation procedures
- Debug ACMS tasks and procedures
- Integrate ACMS with a third-party database, such as Oracle
- Tie ACMS together with an IBM system

To program the ACMS system, you need a beginner's knowledge of a programming language that conforms to the OpenVMS Calling Standard—COBOL or BASIC, for example. If you are using Oracle CODASYL DBMS or Oracle Rdb, you also need a beginner's knowledge of database programming. You do not need extensive experience with OpenVMS programming tools or system programming.

For Part III, this manual assumes that the reader has a working knowledge of Oracle databases (especially readers who are programming-level personnel). This section does not attempt to illustrate the creation or maintenance of an Oracle database. The approach that is taken assumes that there is an existing Oracle database on the OpenVMS system. Also, the Oracle example is for illustration purposes only; is is not meant to be the definitive way to create an ACMS application that accesses an Oracle database.

For Part IV, this manual assumes that the reader has a working knowledge of LU6.2 and DECnet/SNA concepts (especially readers who are programming-level personnel). This section does not attempt to illustrate the creation or maintenance of an LU6.2 gateway between an OpenVMS system and an IBM system or a CICS® application on an IBM system. The approach that is taken in the detailed sections of the guide assumes that there is an existing CICS application on the IBM system and an existing LU6.2 gateway between the

systems. Also, the LU6.2 example is for illustration purposes only; it is not meant to be the definitive way to create an ACMS application that interfaces with a CICS application.

Document Structure

This manual contains tutorial information for ACMS application programming, followed by reference information for ACMS programming tools and debugging commands, and guidelines for integrating ACMS with third-party databases and IBM systems. Following the guidelines are appendixes and an index.

Part I — User Information

- | | |
|-----------|---|
| Chapter 1 | Introduces ACMS application programming by explaining procedure server terminology, the kinds of programs you write, the ACMS tools you use to write and debug ACMS application programs, and the programming tools supplied by related products. |
| Chapter 2 | Explains how to write initialization, termination, and cancel procedures for ACMS tasks. |
| Chapter 3 | Presents recommendations for writing step procedures, including naming and structuring step procedures, using workspaces, handling errors in step procedures, and performing terminal I/O from a procedure server. |
| Chapter 4 | Explains how to write procedures for tasks that use Oracle Rdb databases with SQL, Oracle Rdb with RDO, Oracle CODASYL DBMS databases, and RMS files. |
| Chapter 5 | Explains how to create message files for ACMS task groups. |
| Chapter 6 | Explains how to build procedure server images. |
| Chapter 7 | Explains how to debug tasks, including tasks called by user-written agent programs, as well as procedures called by tasks. |
| Chapter 8 | Provides guidelines to transition procedures so that they run in the ACMS run-time environment. |

Part II — Reference Material

- | | |
|------------|--|
| Chapter 9 | Provides reference material for the ACMS programming services. |
| Chapter 10 | Provides reference material for the ACMS Task Debugger commands. |

Part III — Interoperability with Third-Party Databases: Oracle Case Study

- | | |
|------------|---|
| Chapter 11 | Describes key ACMS and Oracle interoperability concepts. |
| Chapter 12 | Walks you through a sample application that uses ACMS in conjunction with Oracle. |

Part IV — Interoperability with IBM LU6.2 and CICS

- | | |
|------------|---|
| Chapter 13 | Describes key ACMS and APPC/LU6.2 technical concepts. |
| Chapter 14 | Walks you through a sample program that uses ACMS and APPC/LU6.2 products to interoperate with an IBM CICS system and database. |

Part V — Appendixes

- | | |
|------------|---------------------------------------|
| Appendix A | Describes the ACMS system workspaces. |
|------------|---------------------------------------|

Appendix B	Lists the libraries referred to in the AVERTZ procedures that are used as examples in the manual.
Appendix C	Describes superseded features.

Related Documents

Read *HP ACMS for OpenVMS Getting Started* before using this guide; this book provides an introduction to developing applications with ACMS and HP DECforms software. It explains the basic concepts and facilities of ACMS and other products needed for developing ACMS applications. The collection of examples in this book shows the development of a complete ACMS application and explains how to install and run the application. The following table lists the documents in the ACMS documentation set.

ACMS Information	Description
<i>HP ACMS Version 5.0 for OpenVMS Release Notes</i> †	Information about the latest release of the software
<i>HP ACMS Version 5.0 for OpenVMS Installation Guide</i>	Description of installation requirements, the installation procedure, and postinstallation tasks.
<i>HP ACMS for OpenVMS Getting Started</i>	Overview of ACMS software and documentation. Tutorial for developing a simple ACMS application. Description of the AVERTZ sample application.
<i>HP ACMS for OpenVMS Concepts and Design Guidelines</i>	Description of how to design an ACMS application.
<i>HP ACMS for OpenVMS Writing Applications</i>	Description of how to write task, task group, application, and menu definitions using the Application Definition Utility. Description of how to write and migrate ACMS applications on an OpenVMS Alpha system.
<i>HP ACMS for OpenVMS Writing Server Procedures</i>	Description of how to write programs to use with tasks and how to debug tasks and programs. Description of how ACMS works with the APPC/LU6.2 programming interface to communicate with IBM CICS applications. Description of how ACMS works with third-party database managers, with Oracle used as an example.
<i>HP ACMS for OpenVMS Systems Interface Programming</i>	Description of using Systems Interface (SI) Services to submit tasks to an ACMS system.
<i>HP ACMS for OpenVMS ADU Reference Manual</i>	Reference information about the ADU commands, phrases, and clauses.
<i>HP ACMS for OpenVMS Quick Reference</i>	List of ACMS syntax with brief descriptions.
<i>HP ACMS for OpenVMS Managing Applications</i>	Description of authorizing, running, and managing ACMS applications, and controlling the ACMS system.
<i>HP ACMS for OpenVMS Remote Systems Management Guide</i>	Description of the features of the Remote Manager for managing ACMS systems, how to use the features, and how to manage the Remote Manager.
Online help†	Online help about ACMS and its utilities.

†Available on line only.

The following documentation is also useful:

- *DECforms Guide to Commands and Utilities*
Explains how to create HP DECforms forms and design HP DECforms panels.
- Oracle CDD/Repository documentation
Describes how to store record definitions in Oracle CDD/Repository.

- Oracle CODASYL DBMS documentation
Explains how to use DML statements and callable DBQ in programs using an Oracle CODASYL DBMS database.
- Oracle Rdb documentation
Provides Oracle Rdb language elements and statements, and provides information about using Oracle Rdb data manipulation statements in application programs.
- Documentation for the SQL interface to Oracle Rdb
Describes the SQL interface to Oracle Rdb, including the statements and compiler used to write ACMS application programs.
- *OpenVMS Debugger Manual* and *VMS Message Utility Manual*
Describe how to use the OpenVMS Debugger and the Message Utility.
DEC COBOL User Manual and *DEC COBOL Reference Manual*
Explain the COBOL statements and compiler used to write ACMS application programs.
BASIC for OpenVMS Systems User's Manual and *BASIC for OpenVMS Systems Reference Manual*
Explain the BASIC statements and compiler used to write ACMS application programs.

For additional information on the compatibility of other software products with this version of ACMS, refer to the *HP ACMS for OpenVMS Software Product Description* (SPD 25.50.xx).

For additional information about the Open Systems Software Group (OSSG) products and services, access the following OpenVMS World Wide Web address:

<http://h71000.www7.hp.com/openvms>

Reader's Comments

HP welcomes your comments on this manual.

Print or edit the online form SYS\$HELP:OPENVMSDOC_COMMENTS.TXT and send us your comments by:

Internet	openvmsdoc@hp.com
Mail	Hewlett-Packard Company, L.P. OSSG Documentation Group, ZKO3-4/U08 110 Spit Brook Rd. Nashua, NH 03062-2698

How To Order Additional Documentation

Use the following World Wide Web address for information about how to order additional documentation:

<http://www.hp.com/go/openvms/doc/>

To reach the OpenVMS documentation website, click the Documentation link.

If you need help deciding which documentation best meets your needs, call 1-800-ATCOMPA.

Conventions

The following conventions are used in this manual:

<code>Ctrl/x</code>	A sequence such as <code>Ctrl/x</code> indicates that you must press and hold the key labeled <code>Ctrl</code> while you press another key or a pointing device button.
<code>PF1 x</code>	A sequence such as <code>PF1 x</code> indicates that you must first press and release the key labeled <code>PF1</code> and then press and release another key or a pointing device button.
<code>Return</code>	In examples, a key name enclosed in a box indicates that you press a key on the keyboard. (In text, a key name is not enclosed in a box.) In the HTML version of this document, this convention appears as brackets rather than a box.
<code>...</code>	A horizontal ellipsis in examples indicates one of the following possibilities: <ul style="list-style-type: none">• Additional optional arguments in a statement have been omitted.• The preceding item or items can be repeated one or more times.• Additional parameters, values, or other information can be entered.
<code>.</code>	A vertical ellipsis indicates the omission of items from a code example or command format; the items are omitted because they are not important to the topic being discussed.
Monospace text	Monospace type indicates code examples and interactive screen displays. In the C programming language, monospace type in text identifies the following elements: keywords, the names of independently compiled external functions and files, syntax summaries, and references to variables or identifiers introduced in an example. In the HTML version of this document, this text style may appear as italics.
-	A hyphen at the end of a command format description, command line, or code line indicates that the command or statement continues on the following line.
numbers	All numbers in text are assumed to be decimal unless otherwise noted. Nondecimal radices—binary, octal, or hexadecimal—are explicitly indicated.
bold text	Bold text represents the introduction of a new term or the name of an argument, an attribute, or a reason. In the HTML version of this document, this text style may appear as italics.
<i>italic text</i>	Italic text indicates important information, complete titles of manuals, or variables. Variables include information that varies in system output (Internal error <i>number</i>), in command lines (<i>PRODUCER=name</i>), and in command parameters in text (where <i>dd</i> represents the predefined code for the device type).

UPPERCASE	Uppercase text indicates the name of a routine, the name of a file, the name of a file protection code, or the abbreviation for a system privilege. In command format descriptions, uppercase text is an optional keyword.
<u>UPPERCASE</u>	In command format descriptions, uppercase text that is underlined is required. You must include it in the statement if the clause is used.
lowercase	In command format descriptions, a lowercase word indicates a required element.
<lowercase>	In command format descriptions, lowercase text in angle brackets indicates a required clause or phrase.
()	In command format descriptions, parentheses indicate that you must enclose the options in parentheses if you choose more than one.
[]	In command format descriptions, vertical bars within square brackets indicate that you can choose any combination of the enclosed options, but you can choose each option only once.
{ }	In command format descriptions, vertical bars within braces indicate that you must choose one of the options listed, but you can use each option only once.

References to Products

The ACMS documentation set often refers to products by abbreviated names. The following product abbreviations are used in this documentation set:

Abbreviation	Product
ACMS	<i>HP ACMS for OpenVMS Alpha, and HP ACMS for OpenVMS I64</i>
Ada	HP Ada for OpenVMS Alpha Systems, and HP Ada for OpenVMS I64 Systems
BASIC	HP BASIC for OpenVMS
C	HP C for OpenVMS Alpha Systems, and HP C for OpenVMS I64 Systems
CDD	Oracle CDD/Administrator, and Oracle CDD/Repository
COBOL	HP COBOL for OpenVMS Alpha Systems, and HP COBOL for OpenVMS I64 Systems
DATATRIEVE	HP DATATRIEVE for OpenVMS Alpha, and HP DATATRIEVE for OpenVMS I64
DBMS	Oracle CODASYL DBMS
DECforms	HP DECforms
FORTTRAN	HP Fortran for OpenVMS Alpha Systems, and HP Fortran for OpenVMS I64 Systems
OpenVMS	The OpenVMS Alpha operating system, and the OpenVMS I64 operating system
Pascal	HP Pascal for OpenVMS Alpha, and HP Pascal for OpenVMS I64
Rdb	Oracle Rdb
SQL	The SQL interface to Oracle Rdb

Part I

User Information

Part I contains tutorial information about writing procedures and creating message files for ACMS servers. This part also contains information about building procedure server images, debugging tasks and server procedures, and running tasks in the ACMS run-time environment.

Introduction to Server Procedures

This chapter defines procedure server terminology, including server procedures, procedure server images, server processes, and procedure server transfer modules. The chapter also explains the similarities and differences between the different types of procedures used in ACMS applications:

- Step procedures
- Specialized procedures: initialization, termination, and cancel procedures

Each section in the chapter includes references to other chapters or manuals where you can find more detailed information about these topics.

1.1 Procedure Server Terminology

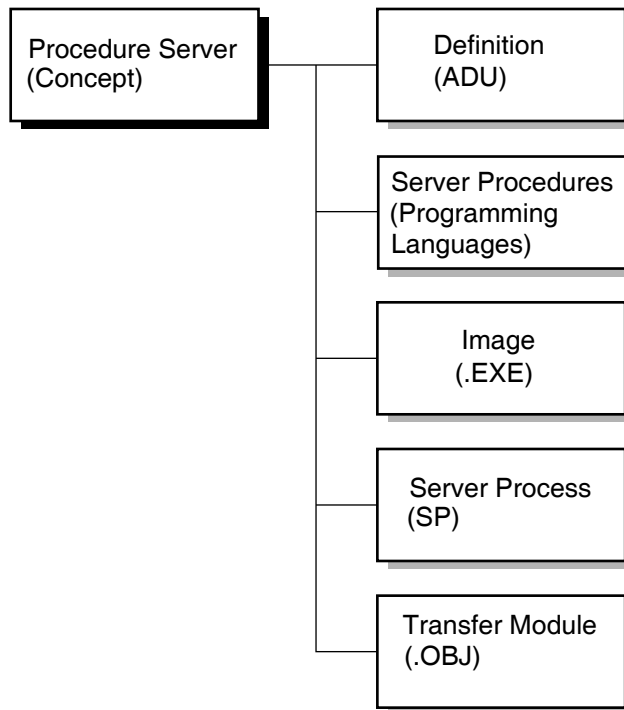
A number of terms used in this chapter can be confusing because they all contain the word *server*, and they are similar-sounding. Because these terms are used throughout this and other ACMS manuals, it is important to understand the differences among them.

A **procedure server** is a term used in ACMS to describe a number of the specific concepts, which are represented in Figure 1–1.

Introduction to Server Procedures

1.1 Procedure Server Terminology

Figure 1–1 Procedure Server Terminology



TAY-0155-AD

To the right of Procedure Server (Concept) in Figure 1–1 are five procedure server-related terms:

- A **procedure server definition** is ADU syntax used to describe the server procedures and the server image. A procedure server definition is a part of a task group definition.
- **Server procedures** are programs or subroutines written in 3GL languages that conform to the OpenVMS calling standard. A procedure performs a particular kind of work for an ACMS task. The two kinds of server procedures used in ACMS tasks are the following:
 - Initialization, termination, and cancel procedures
 - Step procedures

These two types of server procedures are explained in the next section.

- A **procedure server image** (.EXE) is the executable code that actually does the work for an ACMS processing step; it is, in fact, an OpenVMS image. A procedure server image runs in a procedure server process.
- A **procedure server process** (SP) is an OpenVMS process created according to the characteristics defined for a server in ACMS task group and application definitions. Server processes are started and stopped, as needed, by the Application Execution Controller (EXC) process.

When the EXC starts a procedure server, it creates a server process, activates and loads the procedure server image, and runs any initialization procedure defined for the server.

- A **procedure server transfer module** is an object module created for a procedure server as a result of building an ACMS task group definition. When you build a task group, ADU produces a procedure server transfer module for each server defined in the task group.

Note

The two types of servers in an ACMS environment are procedure servers and DCL servers. See *HP ACMS for OpenVMS Writing Applications* for information about DCL servers.

1.2 Understanding Server Procedures

A server procedure is a program written in a 3GL programming language, such as COBOL, that conforms to the OpenVMS calling standard. A procedure performs a particular kind of work for an ACMS task. The two types of procedures in ACMS are described in the next two sections.

1.2.1 Initialization, Termination, and Cancel Procedures

Initialization, termination, and cancel procedures make up one type of server procedure. These procedures open files, bind databases, close files, and do cleanup work when an ACMS task is canceled.

Initialization, termination, and cancel procedures do work related to a server process rather than work related to a specific task. The Application Execution Controller (EXC) calls each of them at various times:

- An initialization procedure is called when a server process starts.
- A termination procedure is called when a server process stops.
- A cancel procedure is called when a task is canceled.

Initialization, termination, and cancel procedures for a server are declared in a task group definition. You can have only one initialization, termination, and cancel procedure in each server definition.

Example 1–1 shows the task group server declaration of the initialization procedure `VR_INIT` and the termination procedure `VR_TERM` in the `AVERTZ` Vehicle Rental Task Group Definition, `VR_TASK_GROUP`.

Introduction to Server Procedures

1.2 Understanding Server Procedures

Example 1–1 Declaration of Initialization and Termination Procedures in a Task Group Definition

```
REPLACE GROUP VR_TASK_GROUP
.
.
.
SERVER IS VR_SERVER:
    INITIALIZATION PROCEDURE IS VR_INIT;
    TERMINATION PROCEDURE IS VR_TERM;
    PROCEDURES ARE
        .
        .
        .
END SERVER;
END DEFINITION;
```

The declaration of a cancel procedure, if included in the example, would follow the identification of the initialization and termination procedures and would be similar to them.

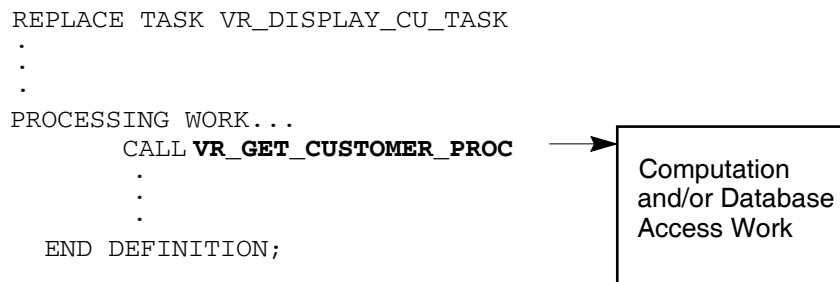
Chapter 2 contains more information and examples of initialization, termination, and cancel procedures.

1.2.2 Step Procedures

A **step procedure** is a second type of server procedure. A step procedure is a subroutine that does the computational and database access work for a processing step in an ACMS task. It is invoked by means of a call statement in a processing step, and it returns control to the calling task when it completes.

Figure 1–2 shows a call to a step procedure in a processing step of a task definition. The step procedure in the example is VR_GET_CUSTOMER_PROC.

Figure 1–2 Call to a Step Procedure in a Task Definition



TAY-0156-AD

The names of the step procedures called by the tasks in the task group are declared in the PROCEDURES ARE clause of the SERVER IS statement. Example 1–2 shows an example of the procedure VR_GET_CUSTOMER_PROC declared in the task group VR_TASK_GROUP.

Example 1–2 Declaration of a Step Procedure in a Task Group Definition

(continued on next page)

Introduction to Server Procedures

1.2 Understanding Server Procedures

Example 1–2 (Cont.) Declaration of a Step Procedure in a Task Group Definition

```
REPLACE GROUP VR_TASK_GROUP
.
.
.
SERVER IS VR_SERVER:
    INITIALIZATION PROCEDURE IS VR_INIT;
    TERMINATION PROCEDURE IS VR_TERM;
    PROCEDURES ARE
        VR_GET_CUSTOMER_PROC,
        .
        .
        .
END SERVER;
END DEFINITION;
```

1.3 Naming and Structuring a Server Procedure

Two rules apply to naming and structuring a server procedure:

- Assign a unique name to a server procedure.

The name or entry point used for each procedure must be unique among all procedures in a procedure server. You must use the same name to call the procedure in the processing step in the task definition.

Example 1–3 shows a simplified example of a task definition with a processing step that calls a step procedure.

Example 1–3 Processing Step in a Task Definition

```
REPLACE TASK VR_DISPLAY_CU_TASK
.
.
.
GET_CUSTOMERS:
    PROCESSING
        CALL VR_GET_CUSTOMER_PROC USING VR_CUSTOMER_WKSP,
                                        VR_CU_ARRAY_WKSP;
        .
        .
        .
```

The CALL clause shows that you want to run a procedure named VR_GET_CUSTOMER_PROC. The USING keyword names two workspaces that the procedure uses: VR_CUSTOMER_WKSP and VR_CU_ARRAY_WSKP. The task definition does not change regardless of the language you use to write the procedure.

For a more detailed explanation of the processing step, see *HP ACMS for OpenVMS Writing Applications*.

Introduction to Server Procedures

1.3 Naming and Structuring a Server Procedure

- Structure a step procedure as an externally callable subprogram or function. For example, in COBOL you write step procedures as subprograms. Like any other COBOL subprogram, a step procedure begins with an Identification Division that gives the 1- to 31-character name of the procedure. The name of the procedure corresponding to the GET_CUSTOMERS processing step definition shown in Example 1–3 is VR_GET_CUSTOMER_PROC. For example:

```
IDENTIFICATION DIVISION.  
PROGRAM-ID.   VR_GET_CUSTOMER_PROC.
```

1.4 Programming Services and Tools

ACMS provides programming services and tools to assist you in writing procedures. Chapter 3 explains how to use programming services in writing step procedures. Chapter 9 contains reference information about all ACMS programming services.

ACMS tools that you can use to debug tasks and server procedures include the ACMS Task Debugger, online server debugging, and server process dumps. Chapter 7 and Chapter 8 contain information about debugging ACMS tasks and server procedures.

The OpenVMS operating system also provides tools used to create procedure servers: the OpenVMS Message Facility, the OpenVMS Linker, and the OpenVMS Debugger. Chapter 5, Chapter 6, and Chapter 7 explain the use of these tools.

Writing Initialization, Termination, and Cancel Procedures

The three types of specialized optional ACMS procedures are the following:

- Initialization procedures
Initialization procedures can open the files and bind to the databases that step procedures in the server use.
- Termination procedures
Termination procedures can perform application-specific server termination processing, such as unmapping a global section. Note that Rdb, DBMS, and RMS automatically release databases and close files when a process runs down.
- Cancel procedures
Cancel procedures can perform a variety of functions with ACMS tasks, such as freeing non-transaction-based resources and rolling back active database transactions or recovery units. In most cases, their use is discouraged and can be avoided by following the guidelines that are discussed in Section 2.4.1. However, in some situations they are required; see Section 2.4.2 for more information.

2.1 Writing Initialization Procedures

Use initialization procedures to open the files or bind to the databases that are subsequently used by the step procedures running in the server. Files and databases are most frequently opened by initialization procedures with shared access so that other processes on the system, including other server processes, can also access the data. However, it is more efficient to use exclusive access in those cases where only a single server process needs to access a file or database.

Binding or attaching to a database in an initialization procedure has the following advantages:

- By forcing the server to bind to the database in the initialization procedure, you ensure that the database is accessible, that is, that the database file or files exist and can be accessed by the application.
- The overhead of binding to a database or opening a file is incurred at initialization time rather than at task execution time.
- Any database recovery can be performed as part of application startup.

If the application is being restarted after a system crash, the database may need to be recovered because of that crash. By forcing the server to bind to the database in the initialization procedure, you force the database recovery to be performed as part of the application startup processing, rather than as part of the first task that uses that server process.

Writing Initialization, Termination, and Cancel Procedures

2.1 Writing Initialization Procedures

- The initialization procedure can report any errors encountered while binding to the database.

If the database is not accessible, or for some reason cannot be recovered after a crash, then you can ensure that the application startup fails because the database is unusable.

The use of an initialization procedure for a server is optional. If you do specify an initialization procedure, ACMS calls the procedure every time it starts a new process for the server. ACMS can start server processes when an application is first started and also while an application is running if additional server processes are required to handle the load placed on the application by the users. If you do not specify an initialization procedure, ACMS starts the server process without performing any application-specific initialization processing.

The processing that is performed in an initialization procedure depends on which database you are using. See the database-specific sections in this chapter for more information.

2.1.1 Guidelines for Writing Initialization Procedures

Initialization procedures do the same kind of work for server processes that use Rdb or DBMS databases or RMS files. Follow these guidelines when writing initialization procedure for databases and files:

- An initialization procedure must return a status value to the server process to indicate whether the initialization procedure completed successfully.

All languages that follow the OpenVMS calling standard supply a method of returning a status value from a subprogram or function. For example, in COBOL, use the GIVING clause of the Procedure Division header to return a status value to ACMS. Include the status-result definition in the Working Storage Section and in the Procedure Division header:

```
WORKING-STORAGE SECTION.  
01 status-result          PIC S9(9) COMP.  
PROCEDURE DIVISION GIVING status-result.
```

With BASIC, specify the data type returned with the FUNCTION statement, and assign a value to the function name. This example shows that the status value returned to ACMS has a longword data type:

```
FUNCTION LONG pers_upd_server_init_proc
```

If the server initialization procedure completes successfully, return a success status indicating that the server process is ready to use. If the procedure detects an error condition, return a failure status indicating that the server process cannot be used. If you open more than one file or database, return a success value only if the initialization procedure opened all the files and databases successfully.

- In an initialization procedure, signal errors detected during initialization processing.

When an initialization procedure signals an error, ACMS writes additional information about the error condition to the ACMS audit trail log. Use the following services to signal the error condition:

Writing Initialization, Termination, and Cancel Procedures

2.1 Writing Initialization Procedures

Resource manager	Service used to signal error condition
Rdb with SQL	SQL\$SIGNAL
Rdb with RDO	LIB\$CALLG and LIB\$SIGNAL with the Rdb RDB\$MESSAGE_VECTOR array
DBMS	DBM\$SIGNAL
RMS files	LIB\$SIGNAL with the RMS STS and STV error codes

If the initialization procedure signals a fatal OpenVMS status, ACMS writes the error to the audit trail log and stops the server process. However, if the procedure signals an error or warning OpenVMS status, then ACMS continues executing the initialization procedure after writing the error to the audit trail log. Therefore, an initialization procedure should always return a failure status when it detects an error, even if it signals the error condition.

- An initialization procedure cannot assign initial values to fields in group or user workspaces.

Because ACMS does not pass workspaces to initialization procedures, there is no way to assign initial values to fields in workspaces.

2.1.2 Binding or Attaching to Databases

In an initialization procedure, you can bind or attach to a database in three ways. The following sections describe these methods and explain how to decide which of them is appropriate to your application.

To bind to a database, start and end a dummy database transaction in the initialization procedure. The examples below illustrate attaching to an Rdb database using SQL; however, the same techniques also apply when accessing an Rdb database using RDO and when accessing a DBMS database.

The options are:

- Bind to the database

The following COBOL code extract causes a simple bind to the database:

```
EXEC SQL
    WHENEVER SQLERROR GO TO sql-error-handler
END-EXEC.

EXEC SQL
    SET TRANSACTION READ WRITE
END-EXEC.

EXEC SQL
    COMMIT
END-EXEC.

SET ret-stat TO SUCCESS.
EXIT PROGRAM.

sql-error-handler.
    MOVE Rdb$LU_STATUS TO ret-stat
    CALL "SQL$SIGNAL"
    EXIT PROGRAM.
```

- Start a transaction and, additionally, reserve the relations that will be used by the step procedures in the server.

Writing Initialization, Termination, and Cancel Procedures

2.1 Writing Initialization Procedures

Using this method, you also force Rdb to read in the metadata associated with those relations, in addition to just binding to the database. Doing this at application startup time means that this overhead is incurred once — when the application starts — rather than each time a step procedure in a server process first accesses a relation.

Note

If the procedures in the server perform only read-access transactions against the database, specify `READ ONLY` access when you start the transaction.

The following code extract causes the process to bind to the database and causes the metadata for the named relations to be read in.

```
EXEC SQL
    WHENEVER SQLERROR GO TO sql-error-handler
END-EXEC.

EXEC SQL
    SET TRANSACTION READ WRITE
    RESERVING
        reservations, vehicles, vehicle_rental_history
        FOR SHARED WRITE,
        sites, regions
        FOR SHARED READ
END-EXEC.

EXEC SQL
    COMMIT
END-EXEC.

SET ret-stat TO SUCCESS.
EXIT PROGRAM.

sql-error-handler.
    MOVE Rdb$LU_STATUS TO ret-stat
    CALL "SQL$SIGNAL"
    EXIT PROGRAM.
```

- Store a dummy record in a relation and then delete it by rolling back the database transaction or recovery unit.

When you use this method, you force Rdb to create the recovery-unit journal file (.RUJ) during application startup rather than as part of the first task that uses the server process. Furthermore, if the .RUJ file cannot be created for some reason, then the application does not start.

Note

Rdb and DBMS do not use an .RUJ file for read-only transactions. Therefore, this step is not necessary if the procedures in the server perform only read-access transactions against the database.

The following code extract forces Rdb to create the .RUJ file for the process:

```
EXEC SQL
    WHENEVER SQLERROR GO TO sql-error-handler
END-EXEC.
```

Writing Initialization, Termination, and Cancel Procedures

2.1 Writing Initialization Procedures

```
EXEC SQL
    SET TRANSACTION READ WRITE
    RESERVING
        reservations, vehicles, vehicle_rental_history
        FOR SHARED WRITE,
        sites, regions
        FOR SHARED READ
END-EXEC.

EXEC SQL
    INSERT INTO reservations
        (
            reservation_id
        )
    VALUES (
        :zero_reservation_id
    )
END-EXEC.

EXEC SQL
    ROLLBACK
END-EXEC.

SET ret-stat TO SUCCESS.
EXIT PROGRAM.

sql-error-handler.
    MOVE Rdb$LU_STATUS TO ret-stat
    CALL "SQL$SIGNAL"
    EXIT PROGRAM.
```

The following sections contain examples of initialization procedures and explanations of how to write code for Rdb and DBMS databases and for RMS files. See the Rdb, DBMS, and RMS documentation for further information on accessing a database or file.

2.1.3 Initialization Procedures for Rdb Databases Using SQL

The initialization procedure for a server that uses an Rdb database attaches to the database by starting and ending a dummy transaction. Note that to attach fully to the database, you must start a transaction, store a dummy record, and roll back the transaction, as explained in Section 2.1.2.

The initialization procedure for a server using an Rdb database must declare the database accessed by the step procedures in the server. The database declaration in the initialization procedure must be the same as the database declarations in the step procedures in the server. To declare the database using SQL, use the DECLARE SCHEMA statement. Always use the DECLARE SCHEMA statement to name the database you are using before you use other statements that access the database.

In SQL, you start a transaction using the SET TRANSACTION statement. Section 2.1.3.1 describes how to specify the access mode and relations used by the step procedures in the server. If the database transaction cannot be started, log the failure in the ACMS audit trail log by calling SQL\$SIGNAL, and then return the failure status to ensure that ACMS stops the server process.

Section 2.1.3.2 illustrates an initialization procedure written in COBOL that uses SQL. See the SQL documentation for more information about using SQL to access Rdb databases.

Writing Initialization, Termination, and Cancel Procedures

2.1 Writing Initialization Procedures

2.1.3.1 Specifying the Access Mode and Relations Used by the Server

When you start the dummy transaction in the initialization procedure, specify the access mode used by the step procedures in the server. If the procedures in the server perform only read-access transactions against the database, specify `READ ONLY` access when you start the transaction. Specify `READ WRITE` access if any step procedures also write or update records in the database.

Name all the relations used by the step procedures in the server to cause Rdb to read in the metadata for those relations when you start the transaction. For each relation, specify `READ` access if the procedures only read information from the relation. Otherwise, specify `WRITE` access if any of the procedures write or update records in the relation.

The following example illustrates starting a dummy transaction in an initialization procedure using COBOL and SQL. The step procedures used in the server both read and write information in the database, so the transaction is started using `READ WRITE` mode. The step procedures in the server access records in the `RESERVATIONS`, `VEHICLES`, `VEHICLE_RENTAL_HISTORY`, `SITES`, and `REGIONS` relations. The procedures both read and write records in the `RESERVATIONS`, `VEHICLES` and `VEHICLE_RENTAL_HISTORY` relations, so they are accessed using `WRITE` mode. However, the procedures only read records in the `SITES` and `REGIONS` relations, so they are accessed using `READ` mode.

```
EXEC SQL
    SET TRANSACTION READ WRITE
    RESERVING
        reservations, vehicles, vehicle_rental_history
        FOR SHARED WRITE,
        sites, regions
        FOR SHARED READ
END-EXEC.
```

The following example illustrates how to start the same dummy transaction using BASIC and RDO.

```
&RDB& START_TRANSACTION READ_WRITE
&RDB& RESERVING
&RDB& reservations, vehicles, vehicle_rental_history
&RDB& FOR SHARED WRITE,
&RDB& sites, regions
&RDB& FOR SHARED READ
```

2.1.3.2 Using COBOL

Example 2–1 shows the initialization procedure for the AVERTZ Vehicle Rental Application Update Server. The procedure names the database used by the server using the `DECLARE SCHEMA` statement in the Working-Storage Section:

```
DATA DIVISION.
WORKING-STORAGE SECTION.
.
EXEC SQL
DECLARE EXTERNAL SCHEMA FILENAME AVERTZ_DATABASE:VEHICLE_RENTALS
END-EXEC.
```

The procedure uses the `SET TRANSACTION` statement to start the dummy transaction. `READ WRITE` access is used because the server read, writes, and updates records in the `VEHICLE_RENTALS` database. The procedure names each relation used by the server in the `RESERVING` clause. A dummy record is stored in the `RESERVATIONS` relation using the `INSERT` statement. Finally,

Writing Initialization, Termination, and Cancel Procedures

2.1 Writing Initialization Procedures

the procedure uses the ROLLBACK statement to end the dummy transaction and delete the dummy record. If an error occurs, the procedure sets the return status to the error status returned by Rdb, logs an error in the ACMS audit trail log by calling SQL\$SIGNAL, and then returns.

Example 2-1 SQL Initialization Procedure

```

IDENTIFICATION DIVISION.
*****
PROGRAM-ID. VR-UPDATE-INIT.
*
*          Version:      01
*          Edit:         00
*          Authors:     HP
*
*****
*****
*          F U N C T I O N A L   D E S C R I P T I O N
*
* This procedure is the initialization procedure for the
* AVERTZ update server. It is used to the open the
* vehicle rental database.
*
*****
ENVIRONMENT DIVISION.
CONFIGURATION SECTION.
*****
DATA DIVISION.
*****

WORKING-STORAGE SECTION.
*
* Return status to pass to ACMS
*
01 RET-STAT      PIC S9(9) COMP.
01 ZERO_RESERVATION_ID PIC S9(9) VALUE 0.
*
* Define the SQL return status
*
01 SQLCODE      PIC S9(9) COMP.
01 RDB$MESSAGE_VECTOR EXTERNAL.
   03 Rdb$LU_NUM_ARGUMENTS      PIC S9(9) COMP.
   03 Rdb$LU_STATUS             PIC S9(9) COMP.
   03 Rdb$ALU_ARGUMENTS         OCCURS 18 TIMES.
   05 Rdb$LU_ARGUMENTS         PIC S9(9) COMP.

*
* Declare the database.
*
EXEC SQL
DECLARE EXTERNAL SCHEMA FILENAME AVERTZ_DATABASE:VEHICLE_RENTALS
END-EXEC.

*****
PROCEDURE DIVISION GIVING RET-STAT.
*****
MAIN SECTION.

000-OPEN_DB.

```

(continued on next page)

Writing Initialization, Termination, and Cancel Procedures

2.1 Writing Initialization Procedures

Example 2–1 (Cont.) SQL Initialization Procedure

```
*
* Start a recovery unit to force Rdb to bind to the database and read
* in the metadata for the specified relations used by this server.
*
EXEC SQL
    SET TRANSACTION READ WRITE
    RESERVING
        RESERVATIONS, VEHICLES, VEHICLE_RENTAL_HISTORY
        FOR SHARED WRITE,
        SITES, REGIONS
        FOR SHARED READ
END-EXEC.
IF SQLCODE < ZERO
THEN
    MOVE RDB$LU_STATUS TO RET-STAT
    CALL "SQL$SIGNAL"
    GO TO 100-EXIT-PROGRAM
END-IF.

*
* Force Rdb to create the .RUJ file for this server by inserting a
* dummy record into the reservations relation.
*
EXEC SQL
    INSERT INTO RESERVATIONS
        (
            RESERVATION_ID
        )
    VALUES (
        :ZERO_RESERVATION_ID
    )
END-EXEC.
IF SQLCODE < ZERO
THEN
    MOVE RDB$LU_STATUS TO RET-STAT
    CALL "SQL$SIGNAL"
    GO TO 100-EXIT-PROGRAM
END-IF.

*
* Roll back the recovery unit, deleting the dummy record.
*
EXEC SQL
    ROLLBACK
END-EXEC.
IF SQLCODE < ZERO
THEN
    MOVE RDB$LU_STATUS TO RET-STAT
    CALL "SQL$SIGNAL"
    GO TO 100-EXIT-PROGRAM
END-IF.

SET RET-STAT TO SUCCESS.

100-EXIT-PROGRAM.
EXIT PROGRAM.
```

2.1.4 Initialization Procedures for Rdb Databases Using RDO

The initialization procedure for a server that uses an Rdb database attaches to the database by starting and ending a dummy transaction. Note that to attach fully to the database, you must start a transaction, store a dummy record, and roll back the transaction, as explained in Section 2.1.2.

Writing Initialization, Termination, and Cancel Procedures

2.1 Writing Initialization Procedures

The initialization procedure for a server using an Rdb database must name the database accessed by the step procedures in the server. The database declaration in the initialization procedure must be the same as the database declarations in the step procedures in the server. To declare the database using RDO, use the INVOKE DATABASE statement. For example:

```
&RDB& INVOKE DATABASE FILENAME "avertz_database:vehicle_rentals"
```

Start the dummy database transaction by using the START_TRANSACTION statement, which causes Rdb to attach to the database. See Section 2.1.3.1 for information on how to specify the access mode and relations that are used by the server when you start the transaction. If the step procedures in the server write or modify records in the database, use the STORE statement to write a dummy record to the database to force Rdb to create an .RUJ file. Finally, use the ROLLBACK statement to end the dummy transaction and delete the dummy record.

If an error occurs, log the failure in the ACMS audit trail log by signaling the error information in the RDB\$MESSAGE_VECTOR array using the LIB\$CALLG and LIB\$SIGNAL OpenVMS RTL services; then return the failure status to ensure that ACMS stops the server process. For more information on signaling Rdb errors, refer to the Rdb documentation.

Example 2–2 shows the complete BASIC version of the initialization procedure for a server that uses an Rdb database with RDO. This example also illustrates how storing a dummy record forces RDB to create the .RUJ file for the server process. In this case, the ROLLBACK statement is used to end the database transaction and delete the dummy record.

Example 2–2 BASIC Initialization Procedure for Rdb Server

```
FUNCTION LONG vr_update_init
!+
! Update server initialization procedure.
!-

!+
! Declare database.
!-
&RDB& INVOKE DATABASE FILENAME "avertz_database:vehicle_rentals"

!+
! Declare OpenVMS RTL routines.
!-
EXTERNAL LONG FUNCTION LIB$SIGNAL,          &
                        LIB$CALLG

!+
! Start a database transaction to force Rdb to attach to
! the database and read in the metadata for the specified
! relations used by this server.
!-
```

(continued on next page)

Writing Initialization, Termination, and Cancel Procedures

2.1 Writing Initialization Procedures

Example 2–2 (Cont.) BASIC Initialization Procedure for Rdb Server

```
&RDB& START_TRANSACTION READ_WRITE
&RDB&   RESERVING
&RDB&     reservations, vehicles, vehicle_rental_history
&RDB&       FOR SHARED WRITE,
&RDB&     sites, regions
&RDB&       FOR SHARED READ
&RDB& ON ERROR
&RDB&   CALL LIB$CALLG( Rdb$MESSAGE_VECTOR,           &
&RDB&                   LOC( LIB$SIGNAL ) BY VALUE )
&RDB&   EXIT FUNCTION Rdb$LU_STATUS
&RDB& END_ERROR

!+
! Force Rdb to create the .RUJ file for this server by
! inserting a dummy record into the RESERVATIONS relation.
!-
&RDB& STORE r IN reservations USING
&RDB& ON ERROR
&RDB&   CALL LIB$CALLG( Rdb$MESSAGE_VECTOR,           &
&RDB&                   LOC( LIB$SIGNAL ) BY VALUE )
&RDB&   EXIT FUNCTION Rdb$LU_STATUS
&RDB& END_ERROR
&RDB& r.RESERVATION_ID = "00000000"
&RDB& END_STORE

!+
! Roll back the database transaction, deleting the dummy record.
!-
&RDB& ROLLBACK
&RDB& ON ERROR
&RDB&   CALL LIB$CALLG( Rdb$MESSAGE_VECTOR,           &
&RDB&                   LOC( LIB$SIGNAL ) BY VALUE )
&RDB&   EXIT FUNCTION Rdb$LU_STATUS
&RDB& END_ERROR

!+
! Set return status to success and return.
!-
vr_update_init = 1%
END FUNCTION
```

2.1.5 Initialization Procedures for DBMS Databases

The initialization procedure for a server that uses a DBMS database binds to the database by starting and ending a dummy transaction. Note that to bind fully to the database, you must start a transaction, store a dummy record, and roll back the transaction, as explained in Section 2.1.2.

The initialization procedure for a server using a DBMS database must name the database accessed by the step procedures in the server. The database declaration in the initialization procedure must be the same as the database declarations in the step procedures in the server.

Start the dummy database transaction by using the `READY` statement, which causes DBMS to attach to the database. If the step procedures in the server write or modify records in the database, use the `STORE` statement to write a dummy record to the database to force DBMS to create an `.RUJ` file. Finally, use the `ROLLBACK` statement to end the dummy transaction and delete the dummy record. If an error occurs, log the failure in the ACMS audit trail log by signaling

Writing Initialization, Termination, and Cancel Procedures

2.1 Writing Initialization Procedures

the error information using DBM\$SIGNAL; then return the failure status to ensure that ACMS stops the server process.

Note

If you create the database with the OPEN=MANUAL attribute, you must open the database manually using the DBO/OPEN command before a server process can access it. Opening a database manually may also be more efficient even if you create the database with the OPEN=AUTOMATIC attribute. For more information on the DBO/OPEN command, refer to the DBMS documentation.

2.1.5.1 Using COBOL

The initialization procedure for a server using a DBMS database must identify the database the server uses. You do this by naming the schema and subschema in the database in the Data Division. For example:

```
DATA DIVISION.  
SUB-SCHEMA SECTION.  
DB  DEFAULT_SUBSCHEMA  
    WITHIN "PERS_CDD.PERSONNEL_SCHEMA"  
    FOR "PERS_DB:PERSONNEL".
```

The subschema named—in this case, the default subschema for the PERSONNEL database—must be the same used by the step procedures in the server. You can use more than one database or subschema at a time. However, this manual discusses the use of only one subschema for a server.

If any errors occur in binding to the database, trap the error in the Declaratives section, and use the DBM\$SIGNAL routine to return a fatal error status to the server process:

```
WORKING-STORAGE SECTION.  
01  status_result          PIC S9(5) COMP.  
PROCEDURE DIVISION GIVING status_result.  
DECLARATIVES.  
DML-FAILURE SECTION.  
    USE FOR DB-EXCEPTION.  
010-DBM-FAILURE.  
    MOVE DB-CONDITION TO status_result.  
    CALL "DBM$SIGNAL".  
    EXIT PROGRAM.  
END DECLARATIVES.
```

Start the dummy database transaction by using the READY statement, which causes DBMS to bind to the database. If the step procedures in the server write or modify records in the database, use the STORE statement to write a dummy record to the database to force DBMS to create an .RUJ file. Finally, use the ROLLBACK statement to end the dummy transaction and delete the dummy record. For example:

Writing Initialization, Termination, and Cancel Procedures

2.1 Writing Initialization Procedures

```
MAIN SECTION.  
000-start.  
    SET status_result TO SUCCESS.  
  
    READY CONCURRENT UPDATE.  
    MOVE "000000" TO emp_badge_number.  
    STORE employee_record.  
    ROLLBACK.
```

If you do not end the database transaction in the initialization procedure, the first procedure that uses this server fails with a DBM\$_ALLREADY error.

Example 2–3 shows the complete COBOL version of the initialization procedure for a server that accesses a DBMS database. This example also illustrates how storing a dummy record forces DBMS to create the .RUJ file for the server process. In this case, the ROLLBACK statement is used to end the database transaction and delete the dummy record.

Example 2–3 COBOL Initialization Procedure for DBMS

```
IDENTIFICATION DIVISION.  
PROGRAM-ID. pers_upd_server_init_proc.  
  
ENVIRONMENT DIVISION.  
  
DATA DIVISION.  
SUB-SCHEMA SECTION.  
  
DB  DEFAULT_SUBSCHEMA  
    WITHIN "PERS_CDD.PERSONNEL_SCHEMA"  
    FOR "PERS_DB:PERSONNEL".  
  
WORKING-STORAGE SECTION.  
  
01  status_result          PIC S9(5) COMP.  
  
PROCEDURE DIVISION GIVING status_result.  
  
DECLARATIVES.  
DML-FAILURE SECTION.  
    USE FOR DB-EXCEPTION.  
010-DBM-FAILURE.  
    MOVE DB-CONDITION TO status_result.  
    CALL "DBM$SIGNAL".  
    EXIT PROGRAM.  
END DECLARATIVES.  
  
MAIN SECTION.  
000-start.  
    SET status_result TO SUCCESS.  
  
    READY CONCURRENT UPDATE.  
    MOVE "000000" TO emp_badge_number.  
    STORE employee_record.  
    ROLLBACK.  
  
999-end.  
    EXIT PROGRAM.
```

2.1.5.2 Using BASIC

The initialization procedure for a server using a database using DBMS DML must identify the database the server uses. You do this by naming the schema and subschema in the database using the INVOKE statement. For example:

Writing Initialization, Termination, and Cancel Procedures

2.1 Writing Initialization Procedures

```
# INVOKE DEFAULT_SUBSCHEMA -  
  WITHIN PERS_CDD.PERSONNEL_SCHEMA -  
  FOR PERS_DB:PERSONNEL -  
  ( RECORDS )
```

Start the dummy transaction using the `READY` statement. Use the `STORE` statement to write a dummy record to the database, and then end the transaction using a `ROLLBACK` statement to delete the dummy record. For example:

```
# READY CONCURRENT UPDATE  
employee_record::emp_badge_number = "000000"  
# STORE employee_record  
# ROLLBACK
```

Example 2–4 illustrates a complete BASIC initialization procedure for a server that accesses a DBMS database. No error handling is necessary in this procedure because DBMS DML always signals a fatal OpenVMS error status when it detects an error condition.

Example 2–4 BASIC Initialization Procedure for DBMS

```
FUNCTION LONG pers_upd_server_init_proc  
%INCLUDE "pers_files:pers_common_defns"  
  
# INVOKE DEFAULT_SUBSCHEMA -  
  WITHIN PERS_CDD.PERSONNEL_SCHEMA -  
  FOR PERS_DB:PERSONNEL -  
  ( RECORDS )  
  
pers_upd_server_init_proc = persmsg_success  
  
# READY CONCURRENT UPDATE  
employee_record::emp_badge_number = "000000"  
# STORE employee_record  
# ROLLBACK  
  
END FUNCTION
```

2.1.6 Initialization Procedures for RMS Files

An initialization procedure for a server process using RMS opens the files used by the step procedures in the server. The file definitions used in the initialization procedure must be the same as the definitions used in other procedures using those files. If you use a language that assigns channels, the channel number must also be the same in the initialization and step procedures.

If the step procedures in the server require only read access to a file, then open the file for read access only. If the step procedures in the server write to a file, then open the file for read/write access. Specify shared access if more than one server process needs access to the file.

If your step procedures need to lock multiple records in a single record stream or retain record locks after writing or updating a record, you must specify explicit lock control when you open a file.

Writing Initialization, Termination, and Cancel Procedures

2.1 Writing Initialization Procedures

2.1.6.1 Using COBOL

You name the files used by the procedures in the server in the Environment and Data Divisions. For example, the procedures that run in server PERS_UPD_SERVER use the Employee and History files:

```
ENVIRONMENT DIVISION.

INPUT-OUTPUT SECTION.
FILE-CONTROL.
SELECT  emp_file
        ORGANIZATION INDEXED
        ACCESS RANDOM
        ASSIGN TO "emp_file:employee.dat".

SELECT  hist_file
        ORGANIZATION INDEXED
        ACCESS RANDOM
        ASSIGN TO "hist_file:history.dat".

I-O-CONTROL.
APPLY LOCK-HOLDING ON emp_file,
                    hist_file.

DATA DIVISION.

FILE SECTION.
FD      emp_file
        EXTERNAL
        DATA RECORD IS employee_record
        RECORD KEY emp_badge_number OF employee_record.
COPY "pers_cdd.employee_record" FROM DICTIONARY.

FD      hist_file
        EXTERNAL
        DATA RECORD IS history_record
        RECORD KEY hist_badge_number OF history_record.
COPY "pers_cdd.history_record" FROM DICTIONARY.
```

The step procedures in the server PERS_UPD_SERVER use explicit record locking; therefore, the initialization procedure specifies the LOCK-HOLDING statement:

```
I-O-CONTROL.
APPLY LOCK-HOLDING ON emp_file,
                    hist_file.
```

If you declare a file-status variable using the FILE-STAT clause in the SELECT statement, define the variable in the Working-Storage Section. For example:

```
WORKING-STORAGE SECTION.
01  file-status                PIC XX IS EXTERNAL.
```

In the following example, the GIVING clause of the Procedure Division header specifies STATUS_RESULT as the procedure's return-status variable. If the initialization procedure traps any errors while trying to open the Employee and History files, it signals the RMS STS and STV error codes, moves the RMS error status into the STATUS_RESULT variable, and exits.

```
WORKING-STORAGE SECTION.
01  status_result             PIC S9(5) COMP.

PROCEDURE DIVISION GIVING status_result.
```


Writing Initialization, Termination, and Cancel Procedures

2.1 Writing Initialization Procedures

```
DECLARATIVES.  
employee_file SECTION.  
    USE AFTER STANDARD ERROR PROCEDURE ON emp_file.  
employee_file_handler.  
    CALL "LIB$SIGNAL" USING BY VALUE RMS-ST5 OF emp_file,  
                            BY VALUE RMS-STV OF emp_file.  
    MOVE RMS-ST5 OF emp_file TO status_result.  
    EXIT PROGRAM.  
  
history_file SECTION.  
    USE AFTER STANDARD ERROR PROCEDURE ON hist_file.  
history_file_handler.  
    CALL "LIB$SIGNAL" USING BY VALUE RMS-ST5 OF hist_file,  
                            BY VALUE RMS-STV OF hist_file.  
    MOVE RMS-ST5 OF hist_file TO status_result.  
    EXIT PROGRAM.  
END DECLARATIVES.
```

The initialization procedure initializes the STATUS_RESULT variable to success, and then opens the Employee and History files. Because other processes need to access the files, the procedure specifies the ALLOWING ALL clause.

```
MAIN SECTION.  
  
000-start.  
    SET status_result TO SUCCESS.  
  
    OPEN I-O emp_file ALLOWING ALL.  
    OPEN I-O hist_file ALLOWING ALL.  
  
999-end.  
    EXIT PROGRAM.
```

See the COBOL documentation for more information on using RMS files with COBOL.

Example 2–5 shows the complete COBOL initialization procedure.

Example 2–5 COBOL Initialization Procedure for RMS Server

```
IDENTIFICATION DIVISION.  
PROGRAM-ID. pers_upd_server_init_proc.  
  
ENVIRONMENT DIVISION.  
  
INPUT-OUTPUT SECTION.  
FILE-CONTROL.  
SELECT emp_file  
    ORGANIZATION INDEXED  
    ACCESS RANDOM  
    ASSIGN TO "emp_file:employee.dat".  
  
SELECT hist_file  
    ORGANIZATION INDEXED  
    ACCESS RANDOM  
    ASSIGN TO "hist_file:history.dat".
```

(continued on next page)

Writing Initialization, Termination, and Cancel Procedures

2.1 Writing Initialization Procedures

Example 2–5 (Cont.) COBOL Initialization Procedure for RMS Server

```
I-O-CONTROL.
APPLY LOCK-HOLDING ON emp_file,
                    hist_file.

DATA DIVISION.

FILE SECTION.
FD      emp_file
        EXTERNAL
        DATA RECORD IS employee_record
        RECORD KEY emp_badge_number OF employee_record.
COPY "pers_cdd.employee_record" FROM DICTIONARY.

FD      hist_file
        EXTERNAL
        DATA RECORD IS history_record
        RECORD KEY hist_badge_number OF history_record.
COPY "pers_cdd.history_record" FROM DICTIONARY.

WORKING-STORAGE SECTION.

01  status_result          PIC S9(5) COMP.

PROCEDURE DIVISION GIVING status_result.

DECLARATIVES.
employee_file SECTION.
    USE AFTER STANDARD ERROR PROCEDURE ON emp_file.
employee_file_handler.
    CALL "LIB$SIGNAL" USING BY VALUE RMS-ST5 OF emp_file,
                          BY VALUE RMS-STV OF emp_file.
    MOVE RMS-ST5 OF emp_file TO status_result.
    EXIT PROGRAM.
history_file SECTION.
    USE AFTER STANDARD ERROR PROCEDURE ON hist_file.
history_file_handler.
    CALL "LIB$SIGNAL" USING BY VALUE RMS-ST5 OF hist_file,
                          BY VALUE RMS-STV OF hist_file.
    MOVE RMS-ST5 OF hist_file TO status_result.
    EXIT PROGRAM.
END DECLARATIVES.

MAIN SECTION.

000-start.
    SET status_result TO SUCCESS.

    OPEN I-O emp_file ALLOWING ALL.
    OPEN I-O hist_file ALLOWING ALL.

999-end.
    EXIT PROGRAM.
```

2.1.6.2 Using BASIC

The examples in this section show a BASIC initialization procedure that opens an Employee file and a History file.

The procedure `PERS_UPD_SERVER_INIT_PROC` first includes some common definitions used by the Personnel application and the record layouts for the Employee and History files:

Writing Initialization, Termination, and Cancel Procedures

2.1 Writing Initialization Procedures

```
%INCLUDE "pers_files:pers_common_defns"  
%INCLUDE %FROM %CDD "pers_cdd.employee_record"  
%INCLUDE %FROM %CDD "pers_cdd.history_record"
```

The PERS_COMMON_DEFNS.BAS file includes definitions for the channel numbers used for the Employee and History files, together with frequently used BASIC errors, error message symbols, system services, and ACMS, OpenVMS, and RMS errors:

```
!+  
! Common definitions for the PERSONNEL application.  
!-  
  
!+  
! Channel numbers.  
!-  
DECLARE LONG CONSTANT emp_file = 1%  
DECLARE LONG CONSTANT hist_file = 2%  
  
!+  
! Frequently used BASIC error codes.  
!-  
DECLARE LONG CONSTANT basicerr_wait_exhausted = 15%  
DECLARE LONG CONSTANT basicerr_duplicate_key = 134%  
DECLARE LONG CONSTANT basicerr_record_locked = 154%  
DECLARE LONG CONSTANT basicerr_record_not_found = 155%  
DECLARE LONG CONSTANT basicerr_deadlock = 193%  
  
!+  
! Personnel application messages  
!-  
EXTERNAL LONG CONSTANT persmsg_success  
EXTERNAL LONG CONSTANT persmsg_empexists  
EXTERNAL LONG CONSTANT persmsg_empnotfound  
EXTERNAL LONG CONSTANT persmsg_emplocked  
EXTERNAL LONG CONSTANT persmsg_empchanged  
EXTERNAL LONG CONSTANT persmsg_empdeleted  
  
!+  
! Frequently used system services  
!-  
EXTERNAL LONG FUNCTION SYS$GETTIM  
  
!+  
! ACMS, OpenVMS system and RMS status codes  
!-  
EXTERNAL LONG CONSTANT ACMS$_TRANSTIMEDOUT  
EXTERNAL LONG CONSTANT RMS$_NRU  
EXTERNAL LONG CONSTANT RMS$_DDTM_ERR
```

The initialization procedure then specifies the MAP statements for the Employee and History files:

```
MAP ( emp_map ) employee_record emp_rec  
MAP ( hist_map ) history_record hist_rec
```

Next, using an error handler, the procedure initializes the return status to success and opens the Employee and History files. If both files are opened successfully, the procedure returns the success status, indicating that the server process is now ready for use. If an error occurs, the error handler sets the return status to the RMS error status, indicating that the initialization processing failed. The EXIT HANDLER statement causes BASIC to resignal the error, which ACMS then writes to the ACMS audit trail log. Note that the built-in RMSSTATUS function can be used only after BASIC has successfully opened a file.

Writing Initialization, Termination, and Cancel Procedures

2.1 Writing Initialization Procedures

```
WHEN ERROR IN
    pers_upd_server_init_proc = persmsg_success
    OPEN "emp_file:employee.dat" &
        FOR INPUT AS FILE # emp_file, &
        ORGANIZATION INDEXED FIXED, &
        ALLOW MODIFY, &
        ACCESS MODIFY, &
        UNLOCK EXPLICIT, &
        MAP emp_map, &
        PRIMARY KEY emp_rec::emp_badge_number

    OPEN "hist_file:history.dat" &
        FOR INPUT AS FILE # hist_file, &
        ORGANIZATION INDEXED FIXED, &
        ALLOW MODIFY, &
        ACCESS MODIFY, &
        UNLOCK EXPLICIT, &
        MAP hist_map, &
        PRIMARY KEY hist_rec::hist_badge_number

USE
    pers_upd_server_init_proc = VMSSTATUS
    EXIT HANDLER
END WHEN
```

The procedures that run in PERS_UPD_SERVER use explicit lock control to handle record locks to ensure the consistency of the Employee and History files. For this reason, the OPEN statement contains an UNLOCK EXPLICIT clause. Any record accessed by any procedure in the task group remains locked until it is explicitly unlocked with an UNLOCK or FREE statement.

Example 2-6 contains a complete BASIC initialization procedure.

Example 2-6 BASIC Initialization Procedure for RMS Server

```
FUNCTION LONG pers_upd_server_init_proc

%INCLUDE "pers_files:pers_common_defns"
%INCLUDE %FROM %CDD "pers_cdd.employee_record"
%INCLUDE %FROM %CDD "pers_cdd.history_record"

MAP ( emp_map ) employee_record emp_rec
MAP ( hist_map ) history_record hist_rec

WHEN ERROR IN
    pers_upd_server_init_proc = persmsg_success
    OPEN "emp_file:employee.dat" &
        FOR INPUT AS FILE # emp_file, &
        ORGANIZATION INDEXED FIXED, &
        ALLOW MODIFY, &
        ACCESS MODIFY, &
        UNLOCK EXPLICIT, &
        MAP emp_map, &
        PRIMARY KEY emp_rec::emp_badge_number
```

(continued on next page)

Writing Initialization, Termination, and Cancel Procedures

2.1 Writing Initialization Procedures

Example 2–6 (Cont.) BASIC Initialization Procedure for RMS Server

```
OPEN  "hist_file:history.dat"                &
      FOR INPUT AS FILE # hist_file,         &
      ORGANIZATION INDEXED FIXED,          &
      ALLOW MODIFY,                         &
      ACCESS MODIFY,                       &
      UNLOCK EXPLICIT,                     &
      MAP hist_map,                         &
      PRIMARY KEY hist_rec::hist_badge_number
USE
  pers_upd_server_init_proc = VMSSTATUS
  EXIT HANDLER
END WHEN
END FUNCTION
```

2.2 Writing Termination Procedures

Termination procedures perform application-specific cleanup work for a server process. Note that Rdb, DBMS, and RMS automatically release databases and close files when a process runs down.

The use of a termination procedure for a server is optional. If you do specify a termination procedure for a server, ACMS calls the termination procedure whenever a server process runs down. The only exception is when a server process is forced to run down as the result of a task cancellation; in that case, by default, ACMS does not call the termination procedure. However, by using the `ALWAYS EXECUTE TERMINATION PROCEDURE ON CANCEL` clause when you define the server in the task group definition, you can force ACMS to call the termination procedure when a server is run down due to a task cancellation. If you do not specify a termination procedure, ACMS runs down the server process without performing any application-specific termination processing.

ACMS runs down server processes when an application is stopped and when more processes than the minimum defined for the server have been started and the extra processes are not needed to handle users' demands. As with initialization procedures, have termination procedures do work specific to the server process rather than task-related work. Termination procedures do the same kind of work for server processes that use Rdb and DBMS databases and RMS files.

Follow these guidelines when writing a termination procedure for files and databases:

- Have termination procedures return a status value to the server process to indicate whether the termination procedure completed successfully.
If you do not return a status value, the termination continues, but a message that the termination routine has failed is logged in the audit trail log.
- A termination procedure cannot assign values to fields in group or user workspaces.
Because ACMS does not pass workspaces to termination procedures, there is no way to move data to fields in workspaces.

The following sections contain examples of termination procedures. They describe how to write code for Rdb and DBMS databases, and for RMS files.

Writing Initialization, Termination, and Cancel Procedures

2.2 Writing Termination Procedures

2.2.1 Termination Procedures for Rdb Databases Using SQL

You do not need to write a termination procedure for a server that uses an Rdb database. When a server process stops, Rdb automatically releases the database used by the process, rolling back a database transaction if one is still active.

If you decide that you need a termination procedure to perform application-specific processing when the server stops, you must be careful. If you explicitly include a FINISH statement in a server termination procedure, Rdb commits an outstanding database transaction. However, typically you do not want to commit an outstanding transaction in a termination procedure. For example, you normally want to roll back an existing database transaction if:

- An incorrectly coded step procedure does not perform all necessary updates and does not commit a database transaction.
- There is an outstanding database transaction when a task is canceled and you specify that termination procedures be called for cancels.

In general, if there is a chance that your termination procedure will be called when there is an outstanding database transaction and you are going to use the FINISH verb, include a ROLLBACK verb before the FINISH verb.

Because a transaction is not usually active when the termination procedure runs, the termination procedure should ignore any error from the ROLLBACK verb. Any error returned by the FINISH verb is used as the return status of the termination procedure.

Example 2–7 shows a sample termination procedure for a fictional database.

Example 2–7 SQL Termination Procedure

```
IDENTIFICATION DIVISION.  
*****  
PROGRAM-ID. PERS-TERM-PROC.  
*****  
*           F U N C T I O N A L   D E S C R I P T I O N           *  
*                                                                 *  
*   This procedure is used to close the PERSONNEL database.   *  
*                                                                 *  
*****  
ENVIRONMENT DIVISION.  
CONFIGURATION SECTION.  
*****  
DATA DIVISION.  
*****  
  
WORKING-STORAGE SECTION.  
*  
*   return status  
*  
01 RET-STAT      PIC S9(9) COMP.  
*  
*   Define the SQL return status  
*  
01 SQLCODE      PIC S9(9) COMP.  
*  
EXEC SQL  
DECLARE EXTERNAL SCHEMA FILENAME personnel_database:employees  
END-EXEC.
```

(continued on next page)

Writing Initialization, Termination, and Cancel Procedures

2.2 Writing Termination Procedures

Example 2–7 (Cont.) SQL Termination Procedure

```
*****
PROCEDURE DIVISION GIVING RET-STAT.
*****
MAIN SECTION.

000-CLOSE_DB.

        SET RET-STAT TO SUCCESS.
*
* <<<<Insert application-specific cleanup here>>>>
*
        EXEC SQL ROLLBACK END-EXEC.
        EXEC SQL FINISH END-EXEC.
        IF SQLCODE < ZERO
        THEN
                MOVE RDB$LU_STATUS TO RET-STAT
                CALL "SQL$SIGNAL"
        END-IF.

100-EXIT-PROGRAM.
        EXIT PROGRAM.
```

For more information about SQL, refer to the SQL documentation.

2.2.2 Termination Procedures for Rdb Databases Using RDO

You do not need to write a termination procedure for a server that uses an Rdb database. When a server process stops, Rdb automatically releases the database used by the process, rolling back a database transaction if one is still active.

If you decide that you need a termination procedure to perform application-specific processing when the server stops, you must be careful. If you explicitly include a FINISH statement in a server termination procedure, Rdb commits an outstanding database transaction. However, typically you do not want to commit an outstanding transaction in a termination procedure. For example, you normally want to roll back an existing database transaction if:

- An incorrectly coded step procedure does not perform all necessary updates and does not commit a database transaction.
- There is an outstanding database transaction when a task is canceled and you specify that termination procedures be called for cancellations.

In general, if there is a chance that your termination procedure will be called when there is an outstanding database transaction, and you are going to use the FINISH verb, include a ROLLBACK verb before the FINISH verb.

Because a transaction is usually not active when the termination procedure runs, any error from the ROLLBACK verb is ignored. Any error returned by the FINISH verb is used as the return status of the termination procedure. For example:

Writing Initialization, Termination, and Cancel Procedures

2.2 Writing Termination Procedures

```
!
! <<<<Insert application-specific cleanup here>>>>
!
&RDB&   ROLLBACK
&RDB&   ON ERROR
        personnel_term_proc = persmsg_success
&RDB&   END_ERROR

&RDB&   FINISH
&RDB&   ON ERROR
        personnel_term_proc = RDB$LU_STATUS
&RDB&   END_ERROR
```

2.2.3 Termination Procedures for DBMS Databases

You do not need to write a termination procedure for a server that uses a DBMS database. When a server process stops, DBMS automatically unbinds the database used by the process, rolling back a database transaction if one is still active. This section illustrates how to unbind from a DBMS database using the DBMS UNBIND embedded DML statement. Note that there is no UNBIND statement in the COBOL language.

The following example illustrates a termination procedure for a DBMS database written in BASIC:

```
FUNCTION LONG pers_upd_server_term_proc
%INCLUDE "pers_files:pers_common_defns"

!
! <<<<Insert application-specific cleanup here>>>>
!
# INVOKE DEFAULT_SUBSCHEMA -
    WITHIN PERS_CDD.PERSONNEL_SCHEMA -
    FOR PERS_DB:PERSONNEL -
    ( RECORDS )

# ROLLBACK ( TRAP ERROR )
# UNBIND

pers_upd_server_term_proc = persmsg_success

END FUNCTION
```

If a database transaction is active when a step procedure explicitly unbinds from a database, DBMS returns an error. Therefore, use the ROLLBACK statement to roll back an outstanding transaction. Because there is not usually a transaction active when a termination procedure is executed, ignore any error returned by the ROLLBACK statement. Finally, use the UNBIND statement to unbind from the database.

2.2.4 Termination Procedures for RMS Files

You do not need to write a termination procedure for a server that uses RMS files. When a server process stops, RMS automatically closes any files that the process has opened. A termination procedure for an RMS server simply closes each open file used by the server, returning a failure status if an error is detected.

Writing Initialization, Termination, and Cancel Procedures

2.2 Writing Termination Procedures

2.2.4.1 Using COBOL

The termination procedure in Example 2–8 closes the Employee and History files. Any error is signaled and returned as the procedure's return status.

Example 2–8 COBOL Termination Procedure for RMS Files

```
IDENTIFICATION DIVISION.
PROGRAM-ID. pers_upd_server_term_proc.

ENVIRONMENT DIVISION.

INPUT-OUTPUT SECTION.
FILE-CONTROL.
SELECT emp_file
      ORGANIZATION INDEXED
      ACCESS RANDOM
      ASSIGN TO "emp_file:employee.dat".

SELECT hist_file
      ORGANIZATION INDEXED
      ACCESS RANDOM
      ASSIGN TO "hist_file:history.dat".

I-O-CONTROL.
APPLY LOCK-HOLDING ON emp_file,
                    hist_file.

DATA DIVISION.

FILE SECTION.
FD emp_file
  EXTERNAL
  DATA RECORD IS employee_record
  RECORD KEY emp_badge_number OF employee_record.
COPY "pers_cdd.employee_record" FROM DICTIONARY.

FD hist_file
  EXTERNAL
  DATA RECORD IS history_record
  RECORD KEY hist_badge_number OF history_record.
COPY "pers_cdd.history_record" FROM DICTIONARY.

WORKING-STORAGE SECTION.

01 status_result          PIC S9(5) COMP.
PROCEDURE DIVISION GIVING status_result.
DECLARATIVES.
employee_file SECTION.
  USE AFTER STANDARD ERROR PROCEDURE ON emp_file.
employee_file_handler.
  CALL "LIB$SIGNAL" USING BY VALUE RMS-ST5 OF emp_file,
                        BY VALUE RMS-STV OF emp_file.
  MOVE RMS-ST5 OF emp_file TO status_result.
history_file SECTION.
  USE AFTER STANDARD ERROR PROCEDURE ON hist_file.
history_file_handler.
  CALL "LIB$SIGNAL" USING BY VALUE RMS-ST5 OF hist_file,
                        BY VALUE RMS-STV OF hist_file.
  MOVE RMS-ST5 OF hist_file TO status_result.
END DECLARATIVES.
```

(continued on next page)

Writing Initialization, Termination, and Cancel Procedures

2.2 Writing Termination Procedures

Example 2–8 (Cont.) COBOL Termination Procedure for RMS Files

```
MAIN SECTION.  
000-start.  
    SET status_result TO SUCCESS.  
*  
* <<<<Insert application-specific cleanup here>>>>  
*  
    CLOSE emp_file.  
    CLOSE hist_file.  
999-end.  
    EXIT PROGRAM.
```

2.2.4.2 Using BASIC

The termination procedure in Example 2–9 closes the Employee and History files. Any error is signaled and returned as the procedure's return status.

Example 2–9 BASIC Termination Procedure for RMS Files

```
FUNCTION LONG pers_upd_server_term_proc  
%INCLUDE "pers_files:pers_common_defns"  
!  
! <<<<Insert application-specific cleanup here>>>>  
!  
WHEN ERROR IN  
    pers_upd_server_term_proc = persmsg_success  
    CLOSE # emp_file  
    CLOSE # hist_file  
USE  
    pers_upd_server_term_proc = VMSSTATUS  
    EXIT HANDLER  
END WHEN  
END FUNCTION
```

2.3 Server Process Rundown

One way to achieve high system performance is to avoid stopping and restarting servers. In addition to the overhead of OpenVMS process creation, starting a server also involves running the server initialization procedure that binds to databases and opens files. Perform these operations as infrequently as possible.

On the other hand, if your server is interrupted and left in an unpredictable state as a result of a task cancellation, it is best to run down the server process and start a new one.

In order to balance these two needs, ACMS allows you to control whether a server process is run down when the execution of a server procedure is interrupted due to a task cancel. ACMS provides the following three options:

- Run down on cancel only if the cancel caused the server to be interrupted

Writing Initialization, Termination, and Cancel Procedures

2.3 Server Process Rundown

With this option, ACMS runs down the server process only if the execution of a server procedure was interrupted due to the task cancellation. For example, if a task is retaining context in a server, but the server is not actually executing a procedure at the time of the cancel, ACMS does not run down the server.

- Always run down on cancel

With this option, ACMS always runs down the server process if the task is canceled while it has context in the server. This option can cause unnecessary server process rundowns. For example, if a task is retaining context in a server when it is canceled, ACMS always runs down the server process, even if the task was not actually executing a server procedure at the time of the cancel. Running down a server in this situation is not necessary because a server procedure was not actually interrupted; therefore, the server is in a predictable state.

- Do not run down on cancel

With this option, under normal conditions ACMS never runs down the server process if the task is canceled while it has context in the server. However, note that under certain conditions, such as when a server procedure generates a fatal OpenVMS exception, ACMS always runs down a server process. Use this option only when you can guarantee that all context in the server can be cleaned up. Failure to clean up all server context can result in the failure of a subsequent task that uses the server process.

In most cases, the recommended option is to run down on cancel only if the cancel caused a server procedure to be interrupted. This option balances the need for good performance with the need to run down servers that are in an unpredictable state.

You can specify the rundown option for your servers in the following ways:

- Define the rundown option as a server subclause in your task group definition. The choices of syntax are:

```
RUNDOWN ON CANCEL IF INTERRUPTED
RUNDOWN ON CANCEL
NO RUNDOWN ON CANCEL
```

If you do not specify a rundown attribute, the default is RUNDOWN ON CANCEL.

- Override the rundown attribute that you specified in your task group definition by returning a status from a cancel procedure. In two instances, ACMS overrides the option that you specify. If a fatal error is generated in procedure code, or if a channel is left open to a device when a procedure finishes, ACMS always runs down the server process. See Section 2.4 for more information on writing server cancel procedures.

Table 2–1 shows whether or not ACMS runs down a server during a cancel operation. The table assumes that a task has context in the server at the time the cancellation occurs. In cancel processing, ACMS never runs down a server if the task does not have context in any servers when the cancellation occurs.

Writing Initialization, Termination, and Cancel Procedures

2.3 Server Process Rundown

Table 2–1 Server Rundown

Rundown Characteristic	RUNDOWN ON CANCEL		RUNDOWN ON CANCEL IF INTERRUPTED		NO RUNDOWN ON CANCEL	
	No	Yes	No	Yes	No	Yes
ACMS\$RAISE_..._EXCEPTION	N/A ¹	Run down	N/A ¹	Not run down	N/A ¹	Not run down
ACMSAD\$REQ_CANCEL	N/A ¹	Run down	N/A ¹	Run down	N/A ¹	Not run down
Retain context and cancel task in action step	Run down	N/A ¹	Not run down	N/A ¹	Not run down	N/A ¹
Fatal error generated in procedure code	N/A ¹	Run down	N/A ¹	Run down	N/A ¹	Run down
Channel open to device error created from procedure	N/A ¹	Run down	N/A ¹	Run down	N/A ¹	Run down
All other cancels	Run down	Run down	Not run down	Run down	Not run down	Not run down

¹N/A = Not applicable.

2.4 Using Cancel Procedures

This section first discusses the traditional reasons for using cancel procedures. The section then provides guidelines for writing procedures to avoid using cancel procedures, describes situations in which cancel procedures are unavoidable, and explains how to use the \$SETAST system service to avoid canceling a task during critical portions of a procedure. This section also describes the conditions under which cancel procedures are called and explains how to write a cancel procedure.

The traditional reasons for using cancel procedures are:

- Cleaning up procedure execution

This might involve closing a channel that was opened to a terminal or to a temporary work file.

- Freeing non-transaction-based resources

Any transaction-based resources, such as record locks, that a procedure acquires are automatically freed when a transaction ends, whether the transaction commits or aborts. However, if a procedure acquires resources outside a distributed transaction, then the server process must release those resources if the server is to remain active (and not run down) following an exception. Following are examples of situations in which you need to release resources:

- Releasing locks

For example, if a step procedure takes out a lock on a resource by calling the OpenVMS \$ENQ lock manager service directly, then that lock must subsequently be released by a call to the \$DEQ service. If a task executes to completion normally, then the step procedure that acquired the lock can release it; if the task retains context in the server, another step procedure called later can release the lock. However, if the task is canceled, then the server cancel procedure must free the lock if the server process is to remain active and if other task instances need to acquire the lock.

Writing Initialization, Termination, and Cancel Procedures

2.4 Using Cancel Procedures

– Freeing memory

Another example is when a step procedure calls `LIB$GET_VM` to allocate memory for a task instance. Because the memory is required to execute only the current task instance, it must subsequently be freed by a call to `LIB$FREE_VM`. If a task executes to completion normally, then the step procedure that allocated memory can free memory; if the task retains context in the server, another step procedure called later on can free the allocated memory. However, if the task is canceled, then the server cancel procedure must free memory if the server process is to remain active. Failure to free memory eventually results in the server running out of virtual memory.

– Closing channels

As a third example, you might need to open a channel to a terminal in a step procedure. Although generally not recommended, some applications require a procedure running in a procedure server to perform terminal I/O. However, if the task is canceled while the procedure has a channel open to the terminal, ACMS cannot close the channel. For this reason, if a task uses a processing step that does terminal I/O from a procedure server, ACMS always runs down the server process if the task is canceled and the server still has channels open to the terminal device.

To avoid ACMS running down the server, you can use a cancel procedure to close the channel to the terminal. Note that if any channels are left open to the terminal, then ACMS overrides both the return status of the cancel procedure and the `NO RUNDOWN` clause of the server definition. ACMS also cancels the task and runs down the server if a step procedure ends normally but leaves a channel still open to the terminal.

• Rolling back an active database transaction or a recovery unit

A cancel procedure is needed to roll back active database transactions or recovery units under the following conditions:

- If the step procedures in the server directly control Rdb or DBMS database transactions or RMS recovery units
- If the database transactions or recovery units do not participate in a distributed transaction controlled from the task definition
- If a task is canceled while retaining context in the server between processing steps
- If the server is not run down as a result of the task being canceled

A cancel procedure is not necessary if the server is run down as a result of the task being canceled. This is because the database transaction or recovery unit is automatically rolled back as a result of the server process running down. However, it is more efficient to allow a server to remain active if a task is canceled while retaining context but not executing in the server. In this case, it is advantageous to use a cancel procedure to roll back the database transaction or recovery unit so that the server can then be used by another task instance. Note that the recommended option is to allow a server process to run down if ACMS is forced to interrupt a step procedure in order to process a task cancellation.

Writing Initialization, Termination, and Cancel Procedures

2.4 Using Cancel Procedures

2.4.1 Guidelines for Avoiding Cancel Procedures

There are two important reasons for avoiding cancel procedures. First, cancel procedures can adversely affect application performance. Also, it is often difficult to write a cancel procedure that performs the necessary cleanup operations, chiefly because an exception can be raised at any time while a task is executing. Therefore, it is recommended that wherever possible you avoid designing and writing tasks and step procedures that require server cancel procedures to clean up server processes following an exception.

To avoid writing cancel procedures, keep the following guidelines in mind as you design and write tasks and step procedures:

- Control database transactions and recovery units with transaction steps in the task definition.

Resource managers automatically roll back active database transactions and recovery units participating in a distributed transaction if that transaction rolls back. Therefore, you do not need to write a cancel procedure to do this if all database transactions and recovery units participate in distributed transactions that are controlled by the task definition.

Note

When using Rdb with RDO, or RMS, you must use a cancel procedure if you allow a server process to remain active after a task cancellation. See Section 2.4.2 for more information.

- Allow server processes to run down following an exception.

In most cases, if an exception requires ACMS to interrupt a step procedure while it is executing, allowing the server process to run down as part of the exception-handling sequence has the advantage that OpenVMS automatically performs most, if not all, of the necessary cleanup operations. For example, when a process is run down, OpenVMS automatically closes any channels that are still open. Also, any locks currently owned by the process are freed.

- Avoid operations that require cleanup.

For example, if you use task workspaces to store data rather than allocate memory using LIB\$GET_VM, then you do not need a cancel procedure to free memory allocated in this way.

However, some applications may require that a step procedure acquire a nondistributed-transaction-based resource. For example, a step procedure may need to acquire an OpenVMS lock using the \$ENQ service before performing a critical operation. Using the \$DEQ service, the step procedure releases the lock as soon as the operation has been completed.

When an exception is raised, ACMS immediately interrupts a server process. If the code is interrupted during the time that the server process has acquired the lock, the server may not have the opportunity to call the \$DEQ service. Since the server is using an OpenVMS lock, OpenVMS automatically releases the lock when the server process runs down. However, if the server is using an application-specific mechanism to maintain locks on resources, then running down a server process on an exception does not solve the problem; the resource is still locked.

Writing Initialization, Termination, and Cancel Procedures

2.4 Using Cancel Procedures

Section 2.4.3, discusses how to prevent the interruption of a procedure server while it is executing. Section 2.3 explains the conditions under which a procedure is run down.

2.4.2 Situations in Which Using Cancel Procedures Is Unavoidable

As mentioned earlier, whenever possible avoid designing and writing step procedures that require server cancel procedures. However, in certain circumstances, using a cancel procedure is unavoidable.

If you are using RDO in a distributed transaction, use a cancel procedure to roll back the default database transaction that Rdb starts automatically if the distributed transaction aborts between two RDO verbs. For example, the following segment of a BASIC step procedure reads and updates a control record in a database. If the distributed transaction times out and aborts immediately after the GET statement, then Rdb starts a default read-only transaction when it executes the next RDO statement (in this case, the MODIFY statement). See Chapter 4 for information on accessing an Rdb database using RDO statements.

```
&RDB& START_TRANSACTION
&RDB&   DISTRIBUTED_TRANSACTION DISTRIBUTED_TID dist_tid
&RDB&   READ_WRITE RESERVING cust_control FOR SHARED WRITE

&RDB& FOR FIRST 1% c IN cust_control
&RDB&   GET
&RDB&     cust_num = c.next_cust_num
&RDB&   END_GET
&RDB&     next_cust_num = cust_num + 1%
&RDB&   MODIFY c USING
&RDB&     c.next_cust_num = next_cust_num
&RDB&   END_MODIFY
&RDB& END_FOR
```

If you are using RMS in a distributed transaction, use a cancel procedure to unlock any records that a step procedure locks after the distributed transaction aborts. For example, the following segment of a BASIC step procedure reads and updates a control record in a file. If the distributed transaction times out and aborts immediately before the GET statement, then RMS is able to read the record successfully but returns an error when the step procedure executes the UPDATE operation. See Chapter 4 for information on accessing RMS files in distributed transactions.

```
GET # emp_file, &
  KEY # 0 EQ emp_wksp::emp_badge_number, &
  ALLOW NONE
MOVE TO # emp_file, emp_wksp
UPDATE # emp_file
```

You must write a cancel procedure in other situations as well. If you are not using distributed transactions and you allow a server to remain active when a task is canceled between two processing steps while retaining context in a server, then:

- If the first processing step starts a database transaction or a recovery unit that is ended in the second processing step, you must write a cancel procedure to roll back the database transaction or recovery unit before the server can be used by another task.

Writing Initialization, Termination, and Cancel Procedures

2.4 Using Cancel Procedures

- If the first processing step locks records in an RMS file outside a recovery unit and those records are unlocked by the second processing step, you must write a cancel procedure to unlock the records before the server can be used by another task.

See Section 2.4.6 for information on writing server cancel procedures.

2.4.3 Using \$SETAST to Prevent Procedure Server Interruption

At times, procedures perform operations that, if interrupted, require cleanup. One way to avoid interrupting procedures (and avoid using cancel procedures) is to prevent ACMS from interrupting a step procedure during a critical section of code. To do this, you can use the \$SETAST system service to disable delivery of asynchronous system traps (ASTs) at the beginning of the critical code. You can then reenble the delivery of ASTs at the end of the critical code. By using \$SETAST, you can set a window in which ACMS cannot interrupt the step procedure if an exception is raised in the task.

Note

If you call the \$SETAST system service to disable AST delivery in order to prevent ACMS from interrupting a step procedure, then you must ensure that you call the \$SETAST system service to reenble AST delivery before the end of the step procedure. If you leave AST delivery disabled after the end of a step procedure, the server process can hang.

However, setting this window does not guarantee that an event such as a system crash does not interrupt the critical code. Also, this solution does not apply to programs running in DCL servers because the DCL server process handles all cancel requests in supervisor mode.

You must also be careful to avoid creating a situation in which a task cannot be canceled unless the server process is deleted. For example, if a step procedure disables AST delivery before acquiring an OpenVMS lock using the \$ENQ service, ACMS cannot cancel the task until all of the following conditions are met:

- A lock is granted to the server process.
- The step procedure completes the critical operation.
- The \$DEQ service releases the lock.
- AST delivery is reenbled.

In this example, if the process is never able to acquire the lock, then the task cancellation sequence can never complete because ACMS can never interrupt the server process. The only way to complete the task cancellation sequence is to delete the server process manually using the DCL STOP command.

To solve the problem of task cancellation, design the code in the step procedure carefully so that the procedure cannot stall indefinitely. You can, for example, use a timer to control how long the step procedure waits for the OpenVMS lock, as shown in Example 2-10.

Writing Initialization, Termination, and Cancel Procedures

2.4 Using Cancel Procedures

Example 2–10 Pseudocode for Using \$SETAST

```
Disable AST delivery
Call $ENQ service in order to acquire an OpenVMS lock using an
event flag and using an IOSB.
If $ENQ returns SSS_NORMAL (we are waiting for the lock to be granted),
then

    Call the $SETIMR service to set a timer. Pass the same event
    flag that was passed to the $ENQ service.

    Call the $WAITFR service to wait for the event flag passed to
    the two services. When this service finishes, it means that
    either the $ENQ service has completed or the timer has expired.
    To determine which has occurred, check the IOSB passed to the
    $ENQ service. If the status in the IOSB is non-zero, the $ENQ
    service completed.

If $ENQ service completed
then
    Cancel the timer
else
    Cancel lock request by calling $DEQ

    Enable ASTs
    Call ACMS$RAISE_NONREC_EXCEPTION to cancel the task

If the $ENQ service completed unsuccessfully,
then

    Enable ASTs

    Call ACMS$RAISE_NONREC_EXCEPTION to cancel the task

else

    Execute the critical code

    Release the locking by calling the $DEQ service

    Enable ASTs
```

2.4.4 Conditions Under Which Cancel Procedures Are Called

Stated simply, ACMS calls the cancel procedure defined for each server in which a task is retaining context if either a transaction exception or a nonrecoverable exception is raised while a task is executing. ACMS does *not* call a server cancel procedure if a step exception is raised while a task is executing and the task handles the exception. If, however, a task does not handle a step exception, and a transaction exception or a nonrecoverable exception is raised as a result, ACMS calls a server cancel procedure, as stated. *HP ACMS for OpenVMS Writing Applications*, in its discussion of these conditions as they affect ADU syntax, includes specific examples of task definition syntax.

ACMS cancels procedures under the following conditions:

- A step exception is raised that is not handled by the task.
ACMS does not call cancel procedures if a step exception is raised while a task is executing and the exception is handled by the task. However, if the step exception is not handled by the task, then a transaction or nonrecoverable exception is raised, and ACMS calls server cancel procedures.
- A task is canceled from an action clause in a task definition.
ACMS conditionally calls cancel procedures if a nonrecoverable exception is raised due to a task executing a CANCEL TASK clause. ACMS calls cancel procedures only if the task is maintaining context in one or more server processes when the nonrecoverable exception is raised.

Writing Initialization, Termination, and Cancel Procedures

2.4 Using Cancel Procedures

ACMS processes the server context action before it processes the CANCEL TASK clause. Therefore, if the server context action in the action clause is RELEASE SERVER CONTEXT [IF ACTIVE SERVER CONTEXT], the task will no longer have context in the server, so ACMS does not call server cancel procedures. However, if the server context action is RETAIN SERVER CONTEXT [IF ACTIVE SERVER CONTEXT] or NO SERVER CONTEXT ACTION, and the task has context in one or more servers, then ACMS calls cancel procedures.

- A distributed transaction fails to prepare successfully.
This transaction exception can occur only while a task is executing a COMMIT TRANSACTION clause. Because the server context action of a transaction step must be RELEASE SERVER CONTEXT [IF ACTIVE SERVER CONTEXT], ACMS does not call cancel procedures in this case.
- Other transaction or nonrecoverable exceptions are raised.
Excluding the exception conditions already described, ACMS always calls cancel procedures when a transaction or nonrecoverable exception is raised. For example, ACMS calls cancel procedures in any server in which the task is maintaining context:
 - If the transaction timeout specified for a task expires before a distributed transaction completes and a step procedure does not complete before ACMS interrupts it
 - If a user presses `Ctrl/Y` to cancel a task
 - If an operator uses the ACMS/CANCEL TASK command to cancel the task

2.4.5 Cancel Procedures in Distributed and Nondistributed Transactions

ACMS calls server cancel procedures in a different order depending on whether a task uses distributed transactions, or a task uses either independent database transactions or RMS recovery units, or both.

- In nondistributed transactions
The server cancel procedure defined for the server is called *before* executing a database transaction or recovery-unit action, such as COMMIT or ROLLBACK, as specified in the task definition.
- In distributed transactions
Due to the asynchronous nature of transaction aborts, you cannot predict when cancel procedures are called.

Section 2.3 discusses the conditions under which ACMS runs down a server process.

2.4.6 Writing a Cancel Procedure

You declare a cancel procedure for a server in the ACMS procedure server definition within a task group. For example:

Writing Initialization, Termination, and Cancel Procedures

2.4 Using Cancel Procedures

```

      .
      .
      .
SERVER IS
  pers_upd_server:
      .
      .
      CANCEL PROCEDURE IS pers_upd_server_can_proc;
      .
      .
      .
END SERVER;
```

ACMS calls the cancel procedure `PERS_UPD_SERVER_CAN_PROC` under the conditions discussed in Section 2.4.4.

The `RUNDOWN ON CANCEL`, `RUNDOWN ON CANCEL IF INTERRUPTED`, or `NO RUNDOWN ON CANCEL` clause in a server definition determines whether ACMS runs down the server process if a task is canceled while it has context in the server process. The default is `RUNDOWN ON CANCEL`. If a server definition declares `RUNDOWN ON CANCEL`, a cancel procedure is usually not necessary. However, if a server definition declares `NO RUNDOWN ON CANCEL`, then it is often necessary to use a cancel procedure. A cancel procedure may also be necessary if a server definition declares `RUNDOWN ON CANCEL IF INTERRUPTED`. For example:

```

      CANCEL PROCEDURE IS pers_upd_server_can_proc;
      NO RUNDOWN ON CANCEL;
```

The server definition initially determines whether or not the server process is run down on cancels. However, the return status of a cancel procedure overrides the server definition. ACMS provides three symbols that a cancel procedure can return:

- `ACMS$_RNDWN`

If the cancel procedure returns `ACMS$_RNDWN`, ACMS runs down the server process even if the server definition declared `NO RUNDOWN`. If a cancel procedure cannot release the resources allocated to the server, it can return `ACMS$_RNDWN` to ensure that ACMS runs down the process and releases the resources.

- `ACMS$_NRNDWN`

If the cancel procedure returns `ACMS$_NRNDWN`, under normal conditions ACMS does not run down a server, regardless of whether or not the task is executing in the server process at the time an exception is raised. However, ACMS always runs down a server process if a step procedure signals a fatal OpenVMS exception or leaves channels open to a terminal device.

- `ACMS$_RNDWNIFINT`

If a cancel procedure returns `ACMS$_RNDWNIFINT`, ACMS runs down the server process only if the task is executing in the server process at the time an exception is raised. If the task is only maintaining context in the server at the time an exception is raised, then the server process remains active.

Cancel procedures do not have access to workspaces. Store any information that might be needed by the cancel procedure in global variables while a step procedure is executing. The information is then available to the cancel procedure when it executes.

Writing Initialization, Termination, and Cancel Procedures

2.4 Using Cancel Procedures

The following sections illustrate cancel procedures for a server accessing an Rdb database using RDO and for a server accessing an RMS file.

2.4.6.1 Cancel Procedure for Rdb with RDO

Write a server cancel procedure when you use Rdb with RDO in the following situations:

- If you access an Rdb database using RDO in a distributed transaction
If you allow the server to remain active when a task is canceled, you must use a cancel procedure to roll back the default database transaction that Rdb starts if a step procedure accesses the database after a distributed transaction aborts.
- If you write a task that retains context in a server between two processing steps
If you allow the server to remain active when a task is canceled between two processing steps, you must use a cancel procedure to roll back the database transaction started in the first processing step.

In Example 2–11, the procedure uses the ROLLBACK statement to roll back an active database transaction. Because there might not be a database transaction active every time the cancel procedure is called, the procedure ignores a transaction-not-active (RDB\$_BAD_TRANS_HANDLE) error from the ROLLBACK statement. If any other error occurs, the procedure logs the error in the ACMS audit trail log by calling LIB\$SIGNAL and returns the ACMS\$_RNDWN status to force ACMS to run down the server process. If no errors are detected, the procedure returns the ACMS\$_RNDWNIFINT status; in this case, ACMS runs down the server process only if the execution of a step procedure was interrupted due to the cancel.

Example 2–11 Server Cancel Procedure in BASIC Using Rdb with RDO

```
FUNCTION LONG vr_update_cancel
!+
! Invoke database.
!-
&RDB& INVOKE DATABASE FILENAME "avertz_database:vehicle_rentals"

!+
! Cancel procedure return status.
!-
EXTERNAL LONG CONSTANT ACMS$_RNDWNIFINT
EXTERNAL LONG CONSTANT ACMS$_RNDWN

!+
! Rdb error ROLLBACK status code.
!-
EXTERNAL LONG CONSTANT RDB$_BAD_TRANS_HANDLE

!+
! Error logging routines
!-
EXTERNAL LONG FUNCTION LIB$SIGNAL
EXTERNAL LONG FUNCTION LIB$CALLG

!+
! Assume success.
!-
vr_update_cancel = ACMS$_RNDWNIFINT
```

(continued on next page)

Writing Initialization, Termination, and Cancel Procedures

2.4 Using Cancel Procedures

Example 2–11 (Cont.) Server Cancel Procedure in BASIC Using Rdb with RDO

```
!+
! ROLLBACK an outstanding database transaction. Ignore a
! transaction-not-active error. For all other errors, log
! the error and return ACMS$_RNDWN to ensure the server
! runs down.
!-
&RDB& ROLLBACK
&RDB&  ON ERROR
        IF Rdb$LU_STATUS <> RDB$_BAD_TRANS_HANDLE
        THEN
            CALL LIB$CALLG( Rdb$MESSAGE_VECTOR,          &
                           LOC( LIB$SIGNAL ) BY VALUE )
            vr_update_cancel = ACMS$_RNDWN
        END IF
&RDB&  END_ERROR
END FUNCTION
```

2.4.6.2 Cancel Procedure for RMS Files

Write a server cancel procedure when you use RMS in the following situations:

- If you access an RMS file in a distributed transaction
If you allow the server to remain active when a task is canceled, you must use a cancel procedure to unlock any records that a step procedure locks after a distributed transaction aborts.
- If you write a task that retains context in a server between two processing steps
If you allow the server to remain active when a task is canceled between two processing steps, you must use a cancel procedure to unlock any records locked by the first processing step.

Example 2–12 illustrates a server cancel procedure written in COBOL that uses the UNLOCK statement to release any records locked in the Employee and History files. If an error occurs, the procedure logs the error in the ACMS audit trail log by calling LIB\$SIGNAL and returns the ACMS\$_RNDWN status to force ACMS to run down the server process. If no errors are detected, the procedure returns the ACMS\$_RNDWNIFINT status; in this case, ACMS runs down the server process only if the execution of a step procedure was interrupted due to the cancel.

Example 2–12 Server Cancel Procedure in COBOL for RMS Files

```
IDENTIFICATION DIVISION.
PROGRAM-ID. pers_upd_server_can_proc.

ENVIRONMENT DIVISION.

INPUT-OUTPUT SECTION.
FILE-CONTROL.
SELECT emp_file
       ORGANIZATION INDEXED
       ACCESS RANDOM
       ASSIGN TO "emp_file:employee_file.dat".
```

(continued on next page)

Writing Initialization, Termination, and Cancel Procedures

2.4 Using Cancel Procedures

Example 2–12 (Cont.) Server Cancel Procedure in COBOL for RMS Files

```
SELECT  hist_file
        ORGANIZATION INDEXED
        ACCESS RANDOM
        ASSIGN TO "hist_file:history_file.dat".

I-O-CONTROL.
APPLY LOCK-HOLDING ON emp_file,
                    hist_file.

DATA DIVISION.

FILE SECTION.
FD      emp_file
        EXTERNAL
        DATA RECORD IS employee_record
        RECORD KEY emp_badge_number OF employee_record.
COPY "pers_cdd.employee_record" FROM DICTIONARY.

FD      hist_file
        EXTERNAL
        DATA RECORD IS history_record
        RECORD KEY hist_badge_number OF history_record.
COPY "pers_cdd.history_record" FROM DICTIONARY.

WORKING-STORAGE SECTION.

01  status_result          PIC S9(5) COMP.
01  ACMS$_RNDWNIFINT      PIC S9(5) COMP
                               VALUE IS EXTERNAL ACMS$_RNDWNIFINT.
01  ACMS$_RNDWN          PIC S9(5) COMP
                               VALUE IS EXTERNAL ACMS$_RNDWN.

PROCEDURE DIVISION GIVING status_result.

DECLARATIVES.
employee_file SECTION.
    USE AFTER STANDARD ERROR PROCEDURE ON emp_file.
employee_file_handler.
    CALL "LIB$SIGNAL" USING BY VALUE RMS-STS OF emp_file,
                          BY VALUE RMS-STV OF emp_file
    MOVE ACMS$_RNDWN TO status_result.
    EXIT PROGRAM.
history_file SECTION.
    USE AFTER STANDARD ERROR PROCEDURE ON hist_file.
history_file_handler.
    CALL "LIB$SIGNAL" USING BY VALUE RMS-STS OF hist_file,
                          BY VALUE RMS-STV OF hist_file
    MOVE ACMS$_RNDWN TO status_result.
    EXIT PROGRAM.
END DECLARATIVES.
```

(continued on next page)

Writing Initialization, Termination, and Cancel Procedures 2.4 Using Cancel Procedures

Example 2–12 (Cont.) Server Cancel Procedure in COBOL for RMS Files

```
MAIN SECTION.  
000-start.  
    UNLOCK emp_file ALL RECORDS.  
    UNLOCK hist_file ALL RECORDS.  
    MOVE ACMS$_RNDWNIFINT TO status_result.  
999-end.  
    EXIT PROGRAM.
```

Example 2–13 illustrates a server cancel procedure written in BASIC that uses the `FREE` statement to release any records locked in the Employee and History files. If an error occurs, the procedure returns the `ACMS$_RNDWN` status to force ACMS to run down the server process. The `EXIT HANDLER` statement is used to resignal the error so that ACMS writes it to the audit trail log. If no errors are detected, the procedure returns the `ACMS$_RNDWNIFINT` status; in this case, ACMS runs down the server process only if the execution of a step procedure was interrupted due to the cancel.

Example 2–13 Server Cancel Procedure in BASIC

```
FUNCTION LONG pers_upd_server_can_proc  
%INCLUDE "pers_files:pers_common_defns"  
EXTERNAL LONG CONSTANT ACMS$_RNDWNIFINT  
EXTERNAL LONG CONSTANT ACMS$_RNDWN  
  
WHEN ERROR IN  
    FREE # emp_file  
    FREE # hist_file  
    pers_upd_server_can_proc = ACMS$_RNDWNIFINT  
USE  
    pers_upd_server_can_proc = ACMS$_RNDWN  
    EXIT HANDLER  
END WHEN  
END FUNCTION
```

Writing Step Procedures

This chapter discusses writing step procedures for ACMS tasks. The suggestions in this chapter apply to users of all languages and all data management systems. The material in this chapter provides a basis for Chapter 4, which contains information and examples specific to Rdb software using SQL, Rdb using RDO, DBMS software, and RMS software.

This chapter discusses the following topics:

- Using workspaces with step procedures
Explains how tasks use workspaces to pass data between processing steps and exchange steps, and describes the ACMS-supplied system workspaces.
- Using procedures in distributed transactions
Tells how to write new step procedures and how to migrate existing procedures to participate in distributed transactions.
- Returning status to the task definition
Discusses how to return status to the task definition using a status return facility or a user-defined workspace.
- Handling error conditions
Discusses how step procedures handle error conditions by processing error messages and raising recoverable and nonrecoverable exceptions.
- Performing terminal I/O from a procedure server
Explains how programs that run in procedure servers can perform I/O directly to a terminal, which is useful for preexisting programs that you convert to single-step tasks.

3.1 Using Workspaces with Step Procedures

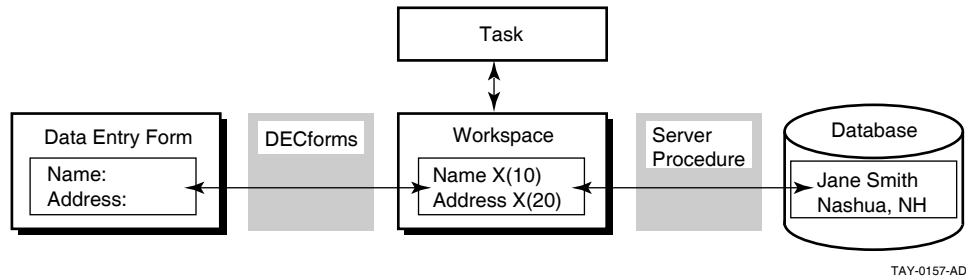
An ACMS task uses workspaces to pass information between the task definition and step procedures and HP DECforms forms. Workspaces are temporary data storage areas, which are passed to step procedures as parameters. Workspaces are passed by reference (that is, the address is passed), with write access.

Figure 3–1 illustrates the way a task uses workspaces to pass data between a form and a step procedure. Once a workspace and its fields have been declared (in CDD, for example), you can use a form to input data and store it in workspace fields. You can then pass that data to a database or RMS file for storage.

Writing Step Procedures

3.1 Using Workspaces with Step Procedures

Figure 3–1 How ACMS Applications Use Workspaces



3.1.1 Using ACMS-Supplied System Workspaces

ACMS provides special-purpose task workspaces, called **system workspaces**, which contain information about the state of a task. This information might be useful to the step procedures called by the task.

ACMS supplies the following system workspaces:

- ACMS\$SELECTION_STRING

This workspace makes information from an ACMS menu available to the task, forms, and step procedures. You can also use this workspace to pass parameters to DCL command procedures.

Appendix A and *HP ACMS for OpenVMS Writing Applications* contain more information about this workspace.

- ACMS\$PROCESSING_STATUS

A task can use the fields of this workspace to determine the completion status of a step procedure. In addition, ACMS stores information about exceptions in this workspace.

Section 3.3, Chapter 5, and Appendix A contain more information about using this workspace.

- ACMS\$TASK_INFORMATION

ACMS stores task execution information such as task ID, sequence number, and task name in this workspace. You can use this workspace, for example, to determine the name of the device from which a task was submitted (for security reasons) or to ascertain whether the task was submitted from a remote node.

Appendix A contains reference information about this workspace.

System workspaces are always available to ACMS tasks. ACMS gives each task its own copy of all three workspaces and initializes each workspace when a task is selected.

Note

Step procedures must not modify the contents of the ACMS\$PROCESSING_STATUS or ACMS\$TASK_INFORMATION workspaces. Step procedures can, however, modify the contents of the ACMS\$SELECTION_STRING workspace.

3.1.2 Identifying Workspaces

You must define record definitions for all the workspaces used by your task. A step procedure reads from or writes to the workspaces using the record names and field names from the record definitions. ACMS takes its workspace definitions from CDD record definitions.

Note

If the programming language you use does not support CDD, you must also define the workspace records in the step procedure.

Example 3–1 shows part of a task definition that declares the VR_CUSTOMERS_WKSP in the USE WORKSPACES clause and passes it to the procedure VR_GET_CUSTOMER_PROC in the CALL statement.

Example 3–1 Referencing a Workspace in a Task Definition

```
REPLACE TASK VR_DISPLAY_CU_TASK
USE WORKSPACES VR_CUSTOMERS_WKSP,
               .
               .
               .
BLOCK WORK WITH FORM I/O IS

GET_CUSTOMERS:
  PROCESSING
    CALL VR_GET_CUSTOMER_PROC USING VR_CUSTOMERS_WKSP,
    .
    .
END DEFINITION;
```

To receive the contents of the workspace named in the task definition, the programming language you use must be able to receive parameters from the calling program. For example, in COBOL, the parameters used to pass information are defined in the Linkage Section and are named in the Procedure Division header.

Example 3–2 shows part of a COBOL procedure that also refers to VR_CUSTOMERS_WKSP.

Example 3–2 COBOL Procedure that Names a Workspace

```
IDENTIFICATION DIVISION.
*****
PROGRAM-ID. VR-GET-CUSTOMER-PROC IS INITIAL.
.
.
.

LINKAGE SECTION.
*
* Copy CUSTOMERS record from the CDD
*
```

(continued on next page)

Writing Step Procedures

3.1 Using Workspaces with Step Procedures

Example 3–2 (Cont.) COBOL Procedure that Names a Workspace

```
EXEC SQL INCLUDE FROM DICTIONARY
      'AVERTZ_CDD_WKSP:VR_CUSTOMERS_WKSP'
END-EXEC.
.
.
.
PROCEDURE DIVISION USING VR_CUSTOMERS_WKSP,
      .
      .
      .
      GIVING RET-STAT.
```

Example 3–3 shows part of the CDD record definition of VR_CUSTOMERS_WKSP.

Example 3–3 CDD Record Definition for VR_CUSTOMERS_WKSP Workspace

```
DEFINE RECORD VR_CUSTOMERS_WKSP.
.
.
.
CUSTOMER_ID.
CU_LAST_NAME.
CU_FIRST_NAME.
CU_MIDDLE_INITIAL.
CU_FIRST_ADDRESS_LINE.
.
.
.
END RECORD.
```

Assign an initial value to any non-binary fields for testing in DECforms. For example, set the initial value of each character field in the record definition to blanks, as shown in this CDD field definition:

```
DEFINE FIELD CU_LAST NAME           DATATYPE TEXT SIZE IS 20
      INITIAL VALUE IS "           ".
```

See the CDD documentation for additional information on assigning initial values.

3.2 Using Procedures in Distributed Transactions

This section discusses the considerations to keep in mind when you write a procedure that accesses a resource manager in a distributed transaction.

A **resource manager** controls shared access to a set of recoverable resources on behalf of application programs. A **resource** is a set of one or more data items in a database or an RMS file. The term **recoverable** means that all updates to the resources either can be made permanent or can be undone, and that the integrity of the resources can be recovered after a failure such as a system crash.

The following sections discuss:

- Participation of a procedure in a distributed transaction
- Use of database transactions or recovery units with distributed transactions

Writing Step Procedures

3.2 Using Procedures in Distributed Transactions

- Obtaining the Transaction ID
- Retaining context in distributed transactions
- Migrating existing step procedures to participate in distributed transactions

3.2.1 Determining the Participation of a Procedure in a Distributed Transaction

The following rules determine the participation of a procedure in a distributed transaction:

- When a processing step that executes within a block delimiting a distributed transaction calls a procedure, that procedure automatically participates in the distributed transaction. For example:

```
BLOCK WITH TRANSACTION
PROCESSING
    CALL    vr_store_cu_proc
    IN      vr_cu_update_server
    USING   vr_control_wksp,
           vr_customers_wksp,
           vr_trans_wksp;
    .
    .
    .
END BLOCK WORK;
.
.
.
```

Because the processing step executes within the bounds of a distributed transaction, the server automatically participates in the distributed transaction.

- When a processing step that delimits a distributed transaction calls a procedure, that procedure automatically participates in the distributed transaction. For example:

```
PROCESSING WITH TRANSACTION
    CALL    vr_store_cu_proc
    IN      vr_cu_update_server
    USING   vr_control_wksp,
           vr_customers_wksp,
           vr_trans_wksp;
    .
    .
    .
```

Use this method if a single step procedure needs to update multiple resources. For example, you might choose this method for a procedure that updates an RMS file as well as an Rdb database. You can also use this method if a task has only one step, which is a processing step.

- You can explicitly exclude a procedure server from a distributed transaction by using the WITH NONPARTICIPATING SERVER phrase on the processing step of a task definition:

```
PROCESSING WITH NONPARTICIPATING SERVER
```

See *HP ACMS for OpenVMS Writing Applications* for more information on writing definitions of tasks that use distributed transactions.

Writing Step Procedures

3.2 Using Procedures in Distributed Transactions

In ACMS, you can start a distributed transaction in either an agent program, a task, or a step procedure. *HP ACMS for OpenVMS Concepts and Design Guidelines* explains the relative advantages and disadvantages of starting a distributed transaction in each of these locations.

You can also start a distributed transaction in a task and, from that task, call a procedure that acts as an agent. The agent program can call a task on a remote node, and the called task can access databases locally on that node, thus reducing network traffic and increasing the efficiency of the application.

See *HP ACMS for OpenVMS Concepts and Design Guidelines* for more information about using a task to update a remote database. See *HP ACMS for OpenVMS Systems Interface Programming* for detailed information about using a step procedure as an agent program.

Note

Do not call the \$START_TRANS, \$END_TRANS, or \$ABORT_TRANS system services from a step procedure that is participating in a distributed transaction started by a task or an agent program. If you do call these services under these conditions, they either return an error status or hang until the task is canceled by the terminal user or system operator.

3.2.2 Using Database Transactions or Recovery Units with Distributed Transactions

The unit of interaction with a database that begins with a start-transaction statement is called a database transaction. The Rdb and DBMS documentation refer to this unit as a transaction. A set of RMS recoverable operations is referred to as a recovery unit. To avoid possible confusion with the term distributed transactions, this manual uses the term **database transaction** when referring to this unit for Rdb and DBMS database products and **recovery unit** when referring to this unit for RMS files. The term database transaction is used whether transactions are distributed or nondistributed.

Depending on the database you are using, you start a database transaction with one of the following statements:

Database product	Statement that starts a distributed transaction
Rdb using SQL	SET TRANSACTION
Rdb using RDO	START_TRANSACTION
DBMS	READY

Instructions for starting database transactions are in Chapter 4.

Note that RMS files that are marked for recovery participate automatically in a distributed transaction; in other words, no special syntax is necessary.

The DML verbs COMMIT or ROLLBACK commit or roll back an independent database transaction or a recovery unit that is not participating in a distributed transaction. However, a database transaction that participates in a distributed transaction is automatically committed or rolled back when the distributed transaction ends. Therefore, you cannot use the COMMIT or ROLLBACK DML verbs to end a database transaction that participates in a distributed transaction.

Writing Step Procedures

3.2 Using Procedures in Distributed Transactions

The COMMIT and ROLLBACK verbs fail and return an error if you try to use them to end a database transaction that is participating in a distributed transaction.

If a processing step participates in a distributed transaction, you must start the database transaction in the step procedure. You cannot use database-specific or RMS-specific recovery declarations in task definitions in conjunction with distributed transactions. ADU does not allow the use of the WITH SQL/RDB/DBMS/RMS RECOVERY phrase in the definition of a task that is within the bounds of a distributed transaction. These phrases are declining functionality.

Important

Always specify a lock timeout interval when you use Rdb or DBMS in a distributed transaction. This ensures that ACMS can successfully cancel a task that is waiting for a database lock. By specifying a lock timeout interval, you ensure that the task is canceled as soon as the timeout interval expires. If you do not specify a lock timeout interval, ACMS cannot cancel the task until the lock is granted. See Chapter 4 for more information on specifying a lock timeout interval.

3.2.3 Obtaining the Transaction ID (TID)

ACMS automatically obtains a transaction ID (TID) when you start a distributed transaction. Whenever a step procedure is called as part of a distributed transaction, ACMS establishes the TID as the default TID of the server process.

For an Rdb or DBMS database transaction to participate in a distributed transaction, you must explicitly pass the TID to Rdb or DBMS when you start the database transaction. In contrast, RMS automatically accesses the TID for files that are marked for recovery-unit journaling. Therefore, no special action is necessary; a step procedure does not need to obtain the TID when using RMS with distributed transactions.

ACMS provides a service, called ACMS\$GET_TID, that a step procedure can call to obtain the TID before using the database. For example:

```
CALL "ACMS$GET_TID" USING CS-TID GIVING RET_STAT.
```

See Chapter 9 for full details on the ACMS\$GET_TID service. See Chapter 4 for information on how to pass the TID to Rdb and DBMS.

3.2.4 Retaining Server Context in Distributed Transactions

The following rules apply to retaining server context in a distributed transaction:

- Context must be retained in a server that participates in a distributed transaction until the end of the transaction. At the end of the distributed transaction, the task must release context in all the servers that participated in the transaction. ADU automatically supplies default server context actions for transaction steps and steps that participate in distributed transactions. (See *HP ACMS for OpenVMS Writing Applications* for more information about server context.)

Writing Step Procedures

3.2 Using Procedures in Distributed Transactions

- A task definition can contain multiple processing steps that call one or more server procedures in the same server within a single distributed transaction. Within a single task, a single server process is used for all the processing steps that call step procedures in the same server. In this case, the first step procedure called within a distributed transaction must ready a database for the current procedure and any subsequent step procedures called by the task. For example, if the first step procedure accesses an Rdb database, the procedure must reserve those relations that are required by the current procedure as well as those relations that are required by subsequent step procedures.

A different situation occurs when a task calls another task as part of a distributed transaction. The called task does not share server context with the parent task; the parent and called tasks use different server processes. Therefore, the first procedure called by the called task must ready a database for the current and any subsequent server procedures used by the called task.

- Both the Rdb and DBMS database products support only a single active database transaction in one process at a time. Therefore, once a server participates in a distributed transaction, the server must remain reserved to the distributed transaction until the transaction ends. See *HP ACMS for OpenVMS Writing Applications* for more information about retaining server context.

3.2.5 Migrating Existing Step Procedures to Participate in Distributed Transactions

If you modify existing step procedures to participate in distributed transactions that start in calling tasks, you must:

- Pass the TID to Rdb or DBMS when you access the database.
- Remove any COMMIT or ROLLBACK syntax in the step procedure.

The distributed transaction must start and end in the same place, that is, in the action clause of the task step that starts the distributed transaction.

If you perform neither of the above steps, the task appears to execute correctly; however, the end of the distributed transaction is not coordinated with the end of the database transaction. This occurs because Rdb or DBMS does not know that you want the database operation to participate in the transaction if you do not pass the TID. Therefore, the database transaction starts and ends as it did before the task was changed to use distributed transactions.

If you perform the first step but not the second, the COMMIT or ROLLBACK statement returns an error. By specifying the TID, you include your database operation in the distributed transaction. You cannot use the COMMIT or ROLLBACK verbs to end a database transaction that is participating in a distributed transaction.

3.3 Returning Status to the Task Definition

In most situations, a task needs to know whether or not the work done in a processing step is successful so that it can determine what to do next. This means that the step procedure must pass this information back to the task. You can pass this information back to the task in one of two ways:

- Use the status return facility provided for subprograms or functions in the language used. This is the most common method.

Writing Step Procedures

3.3 Returning Status to the Task Definition

- Place status information directly in a user-defined workspace that is passed as a parameter to the procedure.

The following sections describe these methods.

Note

ACMS requires initialization, termination, and cancel procedures to return a status. If they do not return status, results are unpredictable.

3.3.1 Returning Status with a Status Return Facility

All OpenVMS programming languages that follow the OpenVMS calling standard supply a mechanism for returning status from a subprogram or function. For example, in COBOL you can return status by specifying a variable in the GIVING clause of a Procedure Division statement and assigning a status value to this variable:

```
PROCEDURE DIVISION GIVING status-result.
```

The return status from the subprogram or function is automatically returned to the task in the system workspace ACMS\$PROCESSING_STATUS. ACMS moves the return status value to the ACMS\$L_STATUS field, which is one of four fields in the ACMS\$PROCESSING_STATUS workspace. The four fields are the following:

```
ACMS$L_STATUS
ACMS$T_SEVERITY_LEVEL
ACMS$T_STATUS_TYPE
ACMS$T_STATUS_MESSAGE
```

ACMS then sets the values of the fields ACMS\$T_SEVERITY_LEVEL and ACMS\$T_STATUS_TYPE to correspond to the return status value in ACMS\$L_STATUS.

Table 3–1 show the values of the ACMS\$T_STATUS_TYPE field. The binary value in the table refers to the value of the low-order bit in ACMS\$L_STATUS.

Table 3–1 Values for ACMS\$T_STATUS_TYPE

Status Type	Binary Value	Meaning
G	1	GOOD Represents successful completion of a step procedure.
B	0	BAD Represents the failure of a step procedure.

Table 3–2 lists the values for the ACMS\$T_SEVERITY_LEVEL field. The binary value in the table refers to the value of the three low-order bits in ACMS\$L_STATUS.

Writing Step Procedures

3.3 Returning Status to the Task Definition

Table 3–2 Values for ACMS\$T_SEVERITY_LEVEL

Severity Level	Binary Value	Meaning
S	001	SUCCESS
I	011	INFORMATION
W	000	WARNING
E	010	ERROR
F	100	FATAL
?	Other	Invalid severity level

A task can check the ACMS\$T_STATUS_TYPE or the ACMS\$T_SEVERITY_LEVEL field to determine what action to take.

ACMS sets initial values for the fields in the ACMS\$PROCESSING_STATUS workspace as follows:

Field	Initial value
ACMS\$L_STATUS	1 (normal successful completion)
ACMS\$T_SEVERITY_LEVEL	S (SUCCESS)
ACMS\$T_STATUS_TYPE	G (GOOD)
ACMS\$T_STATUS_MESSAGE	Spaces

Note

ACMS puts information into the ACMS\$PROCESSING_STATUS workspace whether or not your procedure explicitly returns a status. You must be careful to use this workspace in a task definition only when your procedure returns a status. Otherwise, the results are unpredictable.

3.3.2 Returning Status in User-Defined Workspaces

Returning status to a task in a user-defined workspace is useful if you return a value to HP DECforms that determines what message HP DECforms displays.

To return status from a step procedure to a task in a user-defined workspace, define a status field in a workspace used by the task. Example 3–4 shows the CDD definition for a workspace called TASK_CONTROL.

Example 3–4 Record Description for TASK_CONTROL

```
CDO> SHOW RECORD pers_cdd.task_control/FULL
Definition of record TASK_CONTROL
| Contains field          STEP_STATUS
| | Datatype              text size is 8 characters
|
|
|
```

In Example 3–4, STEP_STATUS is an 8-character text field into which the step procedure writes a character string indicating whether or not it has completed successfully. The task uses the step status field to determine the completion

Writing Step Procedures

3.3 Returning Status to the Task Definition

status of the step procedure. The task uses the contents of the workspace field to determine what to do next.

Example 3–5 and Example 3–6 illustrate how to return status in a user-defined workspace. The step procedure first initializes the status field to SUCCESS; it then writes a new record to an employee master file. If a record with the same key already exists, the procedure stores the error text DUPLICAT in the status field. The task uses the contents of the status field to determine if the step procedure successfully stored the new employee record.

Note

ACMS does not initialize workspaces every time it begins a step procedure. Therefore, you must ensure that a step procedure stores the correct status before it completes. For example, the step procedure illustrated in Example 3–5 always initializes the status to SUCCESS at the beginning. This is necessary if a user incorrectly enters a badge number that is already on file for an employee. After the user corrects the mistake, the step procedure is called again, and the WRITE operation succeeds. In this case, the step procedure must return a success status to ensure that the task continues normally when the step procedure completes.

3.3.2.1 COBOL Procedure for Returning Status in a User-Defined Workspace

Example 3–5 illustrates a complete step procedure for a simple data entry task. In this example, the step procedure first initializes the STEP_STATUS field to SUCCESS. If the write operation fails with a duplicate-key error, the step procedure stores DUPLICAT in the STEP_STATUS field using the INVALID KEY clause.

Example 3–5 COBOL Procedure for Returning Status in a User-Defined Workspace

```
IDENTIFICATION DIVISION.  
PROGRAM-ID. pers_add_employee_proc.  
  
ENVIRONMENT DIVISION.  
  
INPUT-OUTPUT SECTION.  
FILE-CONTROL.  
SELECT emp_file  
        ORGANIZATION INDEXED  
        ACCESS RANDOM  
        ASSIGN TO "emp_file:employee.dat".  
  
I-O-CONTROL.  
APPLY LOCK-HOLDING ON emp_file.  
  
DATA DIVISION.  
  
FILE SECTION.  
FD      emp_file  
        EXTERNAL  
        DATA RECORD IS employee_record  
        RECORD KEY emp_badge_number OF employee_record.  
COPY "pers_cdd.employee_record" FROM DICTIONARY.  
WORKING-STORAGE SECTION.
```

(continued on next page)

Writing Step Procedures

3.3 Returning Status to the Task Definition

Example 3–5 (Cont.) COBOL Procedure for Returning Status in a User-Defined Workspace

```
LINKAGE SECTION.
COPY "pers_cdd.task_control" FROM DICTIONARY.
COPY "pers_cdd.employee_record" FROM DICTIONARY
  REPLACING ==employee_record== BY ==emp_wksp_record==.

PROCEDURE DIVISION USING task_control, emp_wksp_record.
MAIN SECTION.

000-start.
  MOVE "SUCCESS" TO step_status OF task_control.
  WRITE employee_record FROM emp_wksp_record
    ALLOWING NO OTHERS
    INVALID KEY
      MOVE "DUPLICAT" TO step_status OF task_control
      NOT INVALID KEY
        UNLOCK emp_file ALL RECORDS
    END-WRITE.

999-end.
  EXIT PROGRAM.
```

3.3.2.2 BASIC Procedure for Returning Status in a User-Defined Workspace

Example 3–6 illustrates a complete step procedure for a simple data entry task. In this example, the step procedure first initializes the STEP_STATUS field to SUCCESS. If the write operation fails with a duplicate-key error, the step procedure uses an error handler to store DUPLICAT in the STEP_STATUS field.

Example 3–6 BASIC Procedure for Returning Status in a User-Defined Workspace

```
FUNCTION LONG pers_add_employee_proc(           &
                                     task_control task_ctrl_wksp, &
                                     employee_record emp_wksp )

%INCLUDE "pers_files:pers_common_defns"

%INCLUDE %FROM %CDD "pers_cdd.employee_record"
%INCLUDE %FROM %CDD "pers_cdd.task_control"

MAP ( emp_map ) employee_record emp_rec

WHEN ERROR IN
  task_ctrl_wksp::step_status = "SUCCESS"
  MOVE TO # emp_file, emp_wksp
  PUT # emp_file
  UNLOCK # emp_file
USE
  SELECT ERR
    CASE basicerr_duplicate_key
      task_ctrl_wksp::step_status = "DUPLICAT"
    CASE ELSE
      CALL ACMS$RAISE_NONREC_EXCEPTION( RMSSTATUS( emp_file ) )
      EXIT HANDLER
  END SELECT
END WHEN
END FUNCTION
```

3.4 Handling Error Conditions

When you design a task and its components, include logic that checks the status of steps for their successful completion. For example, a task definition for an employee update task includes these steps:

1. Display a form that asks the user for an employee number.
2. Call a procedure to read the data for that employee.

The step procedure reads the record; it then checks the status of the read operation and performs one of the following:

- If the read operation succeeds, returns a success status.
 - If a recoverable error occurs, returns a failure status.
 - If a nonrecoverable error occurs, cancels the task.
3. Check the status from the step procedure:
 - If the step procedure succeeds, execute the next exchange step.
 - If the step procedure fails, repeat the first exchange step.
 4. Display a form that shows the employee's record and asks the user for changes to the record information.
 5. Call a procedure to rewrite the changed employee information.

The step procedure rewrites the record; it then checks the status of the rewrite operation and performs one of the following:

- If the rewrite operation succeeds, returns a success status.
 - If a recoverable error occurs, returns a failure status.
 - If a nonrecoverable error occurs, cancels the task.
6. Check the status from step procedure:
 - If the step procedure succeeds, exit the task with a success status.
 - If the step procedure fails, repeat the second exchange step.

See *HP ACMS for OpenVMS Writing Applications* for information about how to write task definitions.

A step procedure can use a number of alternative methods for returning information about recoverable error conditions to the task:

- For recoverable errors that are handled by the action part of the processing step, return a failure status using a status return facility or a status field in a user-defined workspace. See Section 3.3.1 and Section 3.3.2 for information on returning status from a step procedure to a task.
- For recoverable errors that are handled by the exception handler part of the processing step or an outer-block step in the task, raise a transaction or step exception.
- For recoverable transaction errors that are handled by an exception handler on the transaction step or an outer-block step in the task, raise a transaction exception.

The following sections discuss processing error messages in step procedures and raising exceptions in step procedures.

Writing Step Procedures

3.4 Handling Error Conditions

3.4.1 Processing Error Messages

If a step procedure detects a recoverable error, you must inform users of the problem. With this information, they can then decide how to continue.

In ACMS, you can choose among several methods of returning error messages to users. These methods are distinguished by where the message text is obtained and processed:

- In the task
- In the form
- In the step procedure

3.4.1.1 Using a Message File in the Task Definition

Using this method, you retrieve the error message text from a message file in the task definition based on the OpenVMS return status from the step procedure. You use a return status facility to return the status from the step procedure to the task, as discussed in section Section 3.3.1.

ACMS stores the return status in the `ACMS$PROCESSING_STATUS` workspace, which the task can check and then retrieve error message text from the message file, as explained in Chapter 5. This is the most common method for returning information about a recoverable error condition from the step procedure to the task.

The advantages of this method are that it is simple to use in both the step procedure and the task definition, and you can change messages without recompiling the procedure. A disadvantage of this method is that you cannot use more informative error messages containing additional information; you can use only simple literal error messages. For example, you cannot include a specific employee number in this message:

```
"Employee ID already exists on file"
```

To use a message file in a task definition, follow these steps:

1. In the step procedure, return the failure status associated with the error condition.

For example, in COBOL:

```
MOVE persmsg_empexists TO return_status.  
GO TO 999-end.
```

For example, in BASIC:

```
EXIT FUNCTION persmsg_empexists
```

2. In the task definition, check the return status from the procedure in the `ACMS$PROCESSING_STATUS` workspace.

If the step procedure returns an error status, retrieve the error message text based on the return status and go to an exchange step that displays the error message on the form. For example:

Writing Step Procedures

3.4 Handling Error Conditions

```
PROCESSING
  WORK IS
    CALL pers_add_employee_proc USING
      task_control,
      employee_record
  ACTION IS
    IF ( ACMS$T_STATUS_TYPE = "B" )
    THEN
      GET ERROR MESSAGE;
      GOTO STEP get_new_employee_data;
    END IF;
```

3.4.1.2 Using a Message File in the Step Procedure

Using this method, you retrieve the error message text from a message file in the step procedure.

Use OpenVMS system services or run-time library (RTL) routines to retrieve and process the error message text in the step procedure. See *OpenVMS System Services Reference Manual* and *OpenVMS RTL Library (LIB\$) Manual* for more information on using the OpenVMS Formatted ASCII Output (FAO) facility.

An advantage to this method is that you can return more informative error messages to the user by including additional information in the error message text. For example:

```
"Employee ID: 123456, last name: SMITH, already exists on file"
```

A disadvantage of this method is that you might have to modify a step procedure if you need to change the error message text. If the order of FAO arguments does not change when you modify the error message, then you do not need to modify the step procedure. However, if the order of the FAO arguments does change, then you must modify and recompile the step procedure, and relink the procedure server image.

To use a message file in a step procedure, follow these steps:

1. Define a field in a user-defined workspace to hold the error message text. For example:

```
task_status_msg      DATATYPE TEXT 80.
```

2. In the step procedure, use the SYS\$GETMSG and SYS\$FAO system services, or the LIB\$SYS_GETMSG and LIB\$SYS_FAO RTL routines to obtain and process the error message text.

For example, in COBOL:

```
      .
      .
      .
DATA DIVISION.
WORKING-STORAGE SECTION.

01  persmsg_empexists          PIC S9(5) COMP
    VALUE IS EXTERNAL persmsg_empexists.
01  msg_format_string         PIC X(80) .
01  text_only_flag            PIC S9(5) COMP
    VALUE IS 1.
01  sts                       PIC S9(5) COMP.
01  return_status             PIC S9(5) COMP.

      .
      .
      .
```

Writing Step Procedures

3.4 Handling Error Conditions

```

PROCEDURE DIVISION ... GIVING return_status.
    .
    .
    .
*
* Call LIB$SYS_GETMSG to get error message text associated with
* the 'employee already exists' error. Note that we use 1 as the
* message text flag since we want only the message text, not the
* facility code or severity level.
*
    CALL "LIB$SYS_GETMSG" USING
        BY REFERENCE persmsg_empexists
        OMITTED,
        BY DESCRIPTOR msg_format_string,
        BY REFERENCE text_only_flag
        GIVING sts.
    IF sts IS FAILURE
    THEN
        CALL "LIB$STOP" USING BY VALUE sts
    END-IF.

*
* Call LIB$SYS_FAO to format the 'employee already exists' error
* message text to include the employee's badge number and last
* name, using the message text as the FAO control string.
*
    CALL "LIB$SYS_FAO" USING
        BY DESCRIPTOR msg_format_string,
        OMITTED,
        BY DESCRIPTOR task_status_msg,
        BY DESCRIPTOR emp_badge_number,
        BY DESCRIPTOR emp_last_name
        GIVING sts.
    IF sts IS FAILURE
    THEN
        CALL "LIB$STOP" USING BY VALUE sts
    END-IF.

*
* Return failure status to task. Note that the task simply uses
* the return status as a success/failure indicator; it does not
* use the value of the return status to process the message text.
*
    MOVE persmsg_empexists TO return_status.
    GO TO 999-end.

```

For example, in BASIC:

```

    .
    .
    .
EXTERNAL LONG FUNCTION LIB$SYS_GETMSG, &
    LIB$SYS_FAO
EXTERNAL LONG CONSTANT persmsg_empexists
DECLARE STRING msg_format_string, &
    LONG sts
    .
    .
    .
!+
! Call LIB$SYS_GETMSG to error message text associated with the
! 'employee already exists' error. Note that we use 1 as the
! message text flag since we only want the message text, not the
! facility code or severity level.
!-
sts = LIB$SYS_GETMSG( persmsg_empexists, &
    0% BY VALUE, &
    msg_format_string, &
    1% )

```


Writing Step Procedures

3.4 Handling Error Conditions

```
IF ( sts AND 1% ) = 0%
THEN
    CALL LIB$STOP( sts BY VALUE )
END IF
!+
! Call LIB$SYS_FAO to format the 'employee already exists' error
! message text to include the employee's badge number and last
! name, using the message text as the FAO control string.
!-
sts = LIB$SYS_FAO( msg_format_string,           &
                  0% BY VALUE,                 &
                  task_ctl_rec::task_status_msg, &
                  emp_rec::emp_badge_number,   &
                  TRM$( emp_rec::emp_last_name ) )
IF ( sts AND 1% ) = 0%
THEN
    CALL LIB$STOP( sts BY VALUE )
END IF
!+
! Return failure status indicator to task. Note that the task
! simply uses the return status as a success/failure indicator,
! it does not use the value of the return status to process the
! message text.
!-
EXIT FUNCTION persmsg_empexists
```

3. In the task definition, check the return status from the procedure in the `ACMS$PROCESSING_STATUS` workspace.

If the step procedure returns a failure status, then go to an exchange step that displays the error message from the step procedure on the form. For example:

```
PROCESSING
WORK IS
    CALL pers_add_employee_proc USING
        task_control,
        employee_record
ACTION IS
    IF ( ACMS$T_STATUS_TYPE = "B" )
    THEN
        GOTO STEP get_new_employee_data;
    END IF;
```

3.4.1.3 Using Hard-Coded Messages in the Form

Using this method, you return a status indicator that is processed by the form in a field in a user-defined workspace. See Section 3.3.2 for more information on returning status in a field in a user-defined workspace.

The advantage of this method is that you do not need to use message files or OpenVMS system services or RTL routines to return error messages to users. The disadvantage is that you must always modify the form if you need to change the format of an error message.

To use hard-coded messages in the form, follow these steps:

1. Define a field in a user-defined workspace to hold the status indicator. For example:

```
step_status          DATATYPE TEXT 8.
```

2. In the step procedure, return a status indicator in the `STEP_STATUS` field in the user-defined workspace.

Writing Step Procedures

3.4 Handling Error Conditions

For example, in COBOL:

```
MOVE "DUPLICAT" TO step_status OF task_control.  
GO TO 999-end.
```

For example, in BASIC:

```
task_ctrl_wksp::step_status = "DUPLICAT"  
EXIT FUNCTION
```

3. In the task definition, check the status indicator field in the user-defined workspace.

If the step procedure returns a failure indicator, then go to an exchange step that uses a form to display an error message based on the status indicator returned by the step procedure. For example:

```
PROCESSING  
  WORK IS  
    CALL pers_add_employee_proc USING  
      task_control,  
      employee_record  
  ACTION IS  
    IF ( task_control.step_status <> "SUCCESS" )  
      THEN  
        GOTO STEP get_new_employee_data;  
      END IF;
```

3.4.1.4 Using Hard-Coded Messages in the Step Procedure

Using this method, you construct the complete error message directly in the step procedure. You use literal message text stored in the procedure, formatting variable error messages, if necessary.

The advantage of this method is that you do not need to use message files or OpenVMS system services or RTL routines to return error messages to users. The disadvantage is that you must always modify and recompile the step procedure and relink the procedure server image if you need to change the format of an error message.

To use hard-coded messages in a step procedure, follow these steps:

1. Define a field in a user-defined workspace to hold the error message text. For example:

```
task_status_msg          DATATYPE TEXT 80.
```

2. In the step procedure, construct the error message in the message text field.

The following example in COBOL formats an error message and then returns a failure status to the task:

```
*  
* Format 'Employee already exists' error message.  
*  
MOVE SPACES TO task_status_msg.  
STRING "Employee ID: " DELIMITED BY SIZE  
  emp_badge_number DELIMITED BY " "  
  " (last name: " DELIMITED BY SIZE  
  emp_last_name DELIMITED BY " "  
  ") already exists on file" DELIMITED BY SIZE  
INTO task_status_msg.  
SET status-result TO FAILURE.  
GO TO 999-end.
```

Writing Step Procedures

3.4 Handling Error Conditions

The following example in BASIC formats an error message and then returns a failure status to the task:

```
!
! Format 'Employee already exists' error message.
!
task_ctl_rec::task_status_msg =                                &
    "Employee ID: " +                                        &
    emp_rec::emp_badge_number +                             &
    " (last name: " +                                       &
    TRM$( emp_rec::emp_last_name ) +                          &
    ") already exists on file"
EXIT FUNCTION 0
```

3. In the task definition call to the procedure, test the ACMS\$PROCESSING_STATUS workspace, and go to an exchange step that displays the error message on the form if an error occurs. For example:

```
PROCESSING
WORK IS
    CALL pers_add_employee_proc USING
        task_control,
        employee_record
ACTION IS
    IF ( ACMS$T_STATUS_TYPE = "B" )
    THEN
        GOTO STEP get_new_employee_data;
    END IF;
```

3.4.2 Raising Exceptions in Step Procedures

In some cases, rather than returning errors for the action part of a step to handle, you can let the exception handler part of a step deal with errors. If your task is designed in this way, you need to raise an exception from your step procedure. ACMS supplies three services that raise different kinds of exceptions:

- ACMS\$RAISE_STEP_EXCEPTION
- ACMS\$RAISE_TRANS_EXCEPTION
- ACMS\$RAISE_NONREC_EXCEPTION

The ACMS exception services differ in an important way from the superseded ACMSAD\$REQ_CANCEL service. Whereas the ACMSAD\$REQ_CANCEL service immediately cancels the current task and does not return control to the step procedure, the ACMS exception services all return control to the step procedure after setting the appropriate exception condition. This allows the step procedure to clean up any context in the server and to complete normally.

Allowing the step procedure to complete before raising the exception in the task means that ACMS does not have to interrupt the server process. Therefore, if a step procedure uses one of the exception services to raise an exception, and you have specified that your server is to be run down on cancel only if it is interrupted, ACMS does not need to run down the server process. See Section 2.3 for details on how to specify when ACMS should run down your server.

Because step exceptions, transaction exceptions, and nonrecoverable exceptions are not raised in the task until the step procedure completes, have the step procedure return as soon as possible after raising an exception.

Writing Step Procedures

3.4 Handling Error Conditions

Note

For all servers, HP recommends specifying that ACMS run down the server only if it is interrupted. Using this attribute does not, however, change the effect of using the ACMSAD\$REQ_CANCEL service. Because the ACMSAD\$REQ_CANCEL service causes the server to be interrupted, ACMS runs down the server in this situation. For this reason, use ACMS\$RAISE_NONREC_EXCEPTION instead of ACMSAD\$REQ_CANCEL.

3.4.2.1 Raising Recoverable Exceptions in Step Procedures

You can handle task execution errors in the exception handler part of a step, as explained in *HP ACMS for OpenVMS Writing Applications*. This manual discusses how to raise exceptions only in step procedures.

Step procedures can raise the following recoverable exceptions:

- Step exception
- Transaction exception

Following are explanations and examples of the two ACMS services that step procedures use to raise recoverable exceptions.

- ACMS\$RAISE_STEP_EXCEPTION

A step procedure raises a step exception by calling this service. You call this service to raise an exception that can be handled by the exception handler part of the processing step or an outer-block step. A step procedure might raise a step exception if, for example, a procedure called from a processing step in a nested block detects an error condition that must be handled by the exception handler on the outer block step.

The following example shows the COBOL code in the error-handling section of a procedure.

```
CALL "ACMS$RAISE_STEP_EXCEPTION" USING BY REFERENCE RET-STAT.
```

- ACMS\$RAISE_TRANS_EXCEPTION

A step procedure that is participating in a distributed transaction can use the ACMS\$RAISE_TRANS_EXCEPTION service to raise a transaction exception if a resource manager returns a recoverable error—for example, a dead-lock error condition. Note that you cannot call the ACMS\$RAISE_TRANS_EXCEPTION service in a step procedure that is not participating in a distributed transaction.

When a step procedure raises a transaction exception, the exception falls under the control of the exception handler part of the transaction step or outer-block step, if one exists. The following example shows the COBOL code in a procedure that raises a transaction exception:

Writing Step Procedures

3.4 Handling Error Conditions

```
SQL_ERROR_HANDLER.  
    IF (RDB$LU_STATUS = RDB$_DEADLOCK) OR  
       (RDB$LU_STATUS = RDMS$_DEADLOCK) OR  
       (RDB$LU_STATUS = RDB$_LOCK_CONFLICT) OR  
       (RDB$LU_STATUS = RDMS$_LCKCNFLCT) OR  
       (RDB$LU_STATUS = RDMS$_TIMEOUT)  
    THEN  
        CALL "ACMS$RAISE_TRANS_EXCEPTION" USING  
            BY REFERENCE ACMS$_TRANSTIMEDOUT  
    ELSE  
        CALL "LIB$CALLG" USING  
            BY REFERENCE Rdb$MESSAGE_VECTOR,  
            BY VALUE LIB$SIGNAL  
        CALL "ACMS$RAISE_NONREC_EXCEPTION" USING  
            BY REFERENCE RDB$LU_STATUS  
    END-IF.
```

Chapter 9 contains reference information regarding recoverable exception services.

3.4.2.2 Raising Nonrecoverable Exceptions in Step Procedures

ACMS raises a nonrecoverable exception under the following conditions:

- A fatal OpenVMS exception condition generated by the procedure
ACMS raises a nonrecoverable exception if a step procedure generates a fatal exception. For example, if you use the the OpenVMS RTL service LIB\$STOP to signal an error, or if an exception is raised by the hardware (perhaps as the result of an access violation), then ACMS raises a nonrecoverable exception and cancels the task.

Note

ACMS always runs down a server process if a step procedure generates a fatal OpenVMS exception condition.

- A call to ACMS\$RAISE_NONREC_EXCEPTION
A step procedure calls this programming service when an error occurs from which neither the step procedure nor the task can recover. When a step procedure calls this service, ACMS raises a nonrecoverable exception and unconditionally cancels the current task.
You call the ACMS\$RAISE_NONREC_EXCEPTION service as you do any OpenVMS run-time service, by using a CALL statement in COBOL, for example. No arguments are required in the call. You can, however, include an optional argument describing the reason for the cancellation. The argument is a read-only longword, passed by reference.

The following example shows the COBOL code in a procedure that raises a nonrecoverable exception.

```
CALL "ACMS$GET_TID" USING CS-TID GIVING ret-stat.  
IF ret-stat IS NOT SUCCESS  
THEN  
    CALL "ACMS$RAISE_NONREC_EXCEPTION" USING ret-stat.  
GO TO 999-end.
```

Chapter 9 contains reference information regarding the nonrecoverable exception service.

Writing Step Procedures

3.5 Performing Terminal I/O from a Procedure Server

3.5 Performing Terminal I/O from a Procedure Server

One of the major advantages of implementing an application with ACMS is that you can easily separate your terminal I/O from your database I/O by performing all terminal I/O in exchange steps and all database I/O in processing steps. Following these guidelines has many advantages; two of the major ones are better performance and the ability to distribute tasks over multiple nodes.

Application developers find, however, that some situations require them to do terminal I/O in a processing step—for example, if they are incorporating an existing program into an application. Sometimes it is simpler to make an existing program a single-step task that does terminal I/O than to convert the program to a multiple-step task, which requires removing the terminal I/O from the program and placing it in exchange steps. For this reason, although it is not recommended, ACMS supports doing terminal I/O from processing steps. This section describes the limitations and restrictions involved.

ACMS does not automatically associate a terminal channel with the server process. If a procedure is to do terminal I/O, it must open and close the channel it uses each time it is called. The terminal channel cannot be retained across processing steps, even if the task retains server context. If the procedure does not close the channel before it completes, ACMS cancels the task and runs down the server process.

For a server process to perform terminal I/O, the task must pass the terminal to that process. In single-step tasks, the default is to pass the terminal to the server process. In multiple-step tasks, however, the default is not to pass the terminal to the server process, regardless of whether the server is a DCL server or a procedure server.

In multiple-step tasks, therefore, the task definition must use the `TERMINAL I/O` phrase for any processing step that does terminal I/O. (When used as an attribute on a processing step, `TERMINAL I/O` and `REQUEST I/O` are equivalent; however, `REQUEST I/O` as a processing step attribute is a declining feature and is, therefore, discouraged.)

Note

Because distributed tasks cannot perform terminal I/O in processing steps, you cannot distribute a task that contains `TERMINAL I/O` (or `REQUEST I/O`) syntax in a processing step of the task definition.

Because the procedure must open and close the terminal channel, there are several restrictions on the kinds of statements used for terminal I/O from a procedure server. Keep in mind the following considerations:

- A procedure that does terminal I/O must open the terminal channel it uses; the channel cannot be opened in the initialization procedure.
- You can use any terminal I/O calls that allow you to open a terminal channel explicitly. Two examples of these are the DECforms `FORMS$ENABLE` and the TDMS `TSS$OPEN` services.
- Do not use programming statements such as `DISPLAY` and `ACCEPT` in COBOL, or `INPUT` and `PRINT` in BASIC.
- Do not use the OpenVMS `LIB$GET_INPUT` and `LIB$PUT_OUTPUT` services.

3.5 Performing Terminal I/O from a Procedure Server

- Do not use the RTL screen management services.
- Provide a cancel procedure for the server handling the procedure. It is recommended that the cancel procedure either close any open terminal channel when the task is canceled or allow the server process to run down when the task is canceled.

Accessing Resource Managers

This chapter explains how to write step procedures that access several of the resource managers you can use with ACMS applications: Rdb using SQL, and Rdb using RDO, DBMS, and RMS.

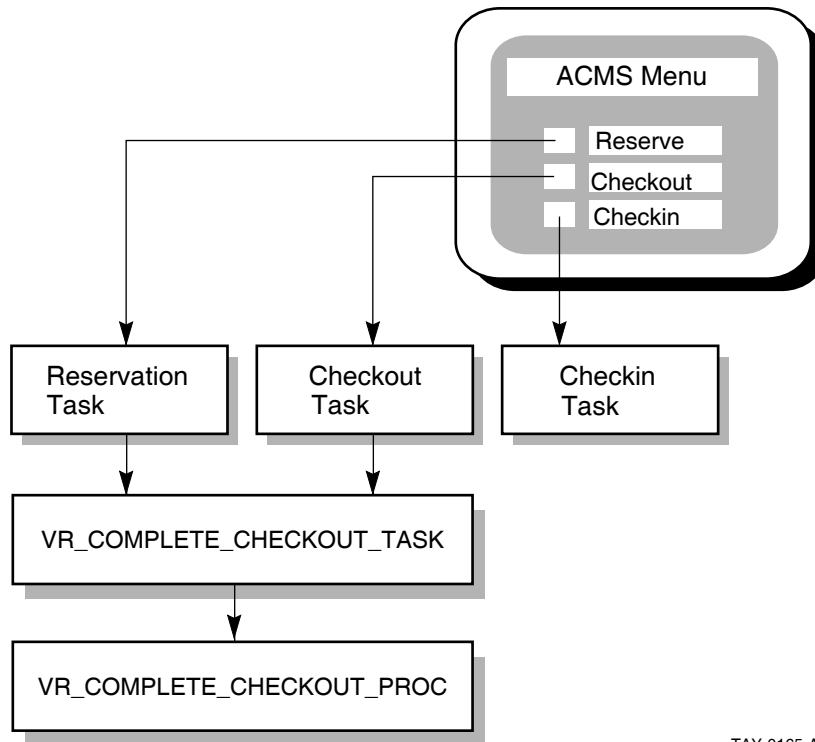
The primary example in the chapter shows how to access an Rdb database using SQL with a procedure that participates in a distributed transaction. Examples showing how to access other resource managers supported by ACMS with distributed transactions are partial; they contain only syntax that is different from the SQL example.

The COBOL step procedure that is the principal example in this chapter is part of the AVERTZ Sample Application. The step procedure `VR_COMPLETE_CHECKOUT_PROC` participates in a distributed transaction that starts and ends in the parent task. Figure 4–1 shows where `VR_COMPLETE_CHECKOUT_PROC` fits into the AVERTZ Sample Application. The figure shows the ACMS menu, from which users can select the Reservation Task or the Checkout Task as two of three tasks displayed on the menu. Both the Reservation Task and the Checkout Task can call the Complete Checkout Task, which, in turn, calls the procedure `VR_COMPLETE_CHECKOUT_PROC`.

See *HP ACMS for OpenVMS Concepts and Design Guidelines* for a description of the AVERTZ sample application and *HP ACMS for OpenVMS Writing Applications* for a description of `VR_COMPLETE_CHECKOUT_TASK`. For further explanation of `VR_COMPLETE_CHECKOUT_PROC`, see Section 4.1.

Accessing Resource Managers

Figure 4–1 Calling the Procedure VR_COMPLETE_CHECKOUT_PROC



TAY-0165-AD

4.1 Using SQL with Rdb

This section describes how to write step procedures using the Structured Query Language (SQL) interface to Rdb. The techniques used with SQL are similar to those used in developing tasks and server procedures using Relational Data Manipulation Language (RDML), developed by HP Equipment Corporation.

See the SQL documentation for general information regarding SQL.

The main example in this chapter, shown in Example 4–7, is a COBOL step procedure called VR_COMPLETE_CHECKOUT_PROC, which accesses an Rdb database using SQL. The procedure is part of the AVERTZ sample application.

Example 4–1 is part of the Complete Checkout Task, which calls the procedure VR_COMPLETE_CHECKOUT_PROC in the AVERTZ Sample Application. When checking out a car, the customer has the option of canceling the reservation. If the customer chooses to cancel the reservation, the task calls a procedure to perform the cancel processing. Otherwise, the task calls a procedure to complete the reservation. The task definition, in a simplified version, performs the following steps, which are also numbered in the example.

- 1 If the customer chooses to check out the car, the task calls the procedure VR_COMPLETE_CHECKOUT_PROC to complete the checkout process.
- 2 If the customer cancels the reservation, the task calls the procedure VR_CANCEL_RS_PROC to cancel the reservation.
- 3 The task calls another procedure, VR_WRITE_HIST_RECORD_PROC, which writes the completion of the checkout or the cancellation to the database.

Example 4–1 Task Definition that Calls Server Procedures Using SQL

```

REPLACE TASK avertz_cdd_task:vr_complete_checkout_task
USE WORKSPACES vr_control_wksp,
.
.
.
TASK ARGUMENTS ARE vr_sendctrl_wksp      WITH ACCESS READ,
.
.
.
BLOCK WORK WITH TRANSACTION
                NO I/O

!
perform:
!+
!-
! Perform the checkout process or cancel the reservation depending
! on the user's choice.
!

        PROCESSING
        SELECT FIRST TRUE
            (vr_control_wksp.ctrl_key = "OK"):
                1 CALL PROCEDURE    vr_complete_checkout_proc
                IN      vr_update_server
                USING   vr_reservations_wksp,
                    vr_vehicles_wksp,
                    vr_control_wksp;
            (vr_control_wksp.ctrl_key = "CANCL"):
                2 CALL PROCEDURE    vr_cancel_rs_proc
                IN      vr_update_server
                USING   vr_reservations_wksp,
                    vr_control_wksp;
        END SELECT;

.
.
.
! Write to the history record to record the completion of the checkout or the
! the cancellation of the reservation.
!

        PROCESSING
        3 CALL PROCEDURE    vr_write_hist_record_proc
        IN      vr_log_server
        USING   vr_hist_wksp,
            vr_reservations_wksp;

.
.
.
!
END BLOCK;
!
END DEFINITION;

```

4.1.1 Using Embedded SQL Statements in Step Procedures

When using embedded SQL statements in step procedures, follow these guidelines:

- Begin each statement with the EXEC SQL flag.
- Remember that the EXEC SQL flag can occur at the beginning of only the first line of a multiline SQL statement. Follow the rules of the programming language you are using to continue SQL statements from one line to the next.

Accessing Resource Managers

4.1 Using SQL with Rdb

- Regardless of the rules of the language you are using for parameter names, specify underscores rather than hyphens when entering names of database entities.
- In COBOL, flag the end of an SQL statement with the END-EXEC keyword. Place a period after END-EXEC if a COBOL statement in the same position requires a period.

Example 4–2 contains examples illustrating each of these guidelines.

For other high-level languages, the rules for beginning and ending SQL statements in step procedures vary. See the SQL documentation for more information about beginning and ending SQL statements in step procedures.

Before you can use SQL to access a database, you must declare the database. You do this in each server procedure that accesses the database. If you are using COBOL, name the Rdb database in the Working-Storage Section of the Data Division of your procedure using the DECLARE SCHEMA statement. This must appear in the procedure before you can use other SQL statements to reference data in the database.

Example 4–2 shows the DECLARE SCHEMA statement used in the procedure VR_COMPLETE_CHECKOUT_PROC to declare the database. (Example 4–7 contains the complete procedure.)

Example 4–2 Declaring the Database

```
*****  
DATA DIVISION.  
*****  
WORKING-STORAGE SECTION.  
*  
*   Return status to pass to ACMS  
*  
01 RET-STAT      PIC S9(9) COMP.  
01 RSTAT        PIC S9(9) COMP.  
  
.  
.  
*  
*   Declare the database schema.  
*  
EXEC SQL  
    DECLARE EXTERNAL SCHEMA FILENAME AVERTZ_DATABASE:VEHICLE_RENTALS  
END-EXEC.
```

4.1.2 Using SQL with Distributed Transactions

When you use SQL with a distributed transaction, you must pass the transaction ID (TID) to SQL on each executable DML verb using an SQL context structure.

This section describes how to:

- Define an SQL context structure
- Obtain the TID and store it in the context structure
- Pass the context structure to SQL using embedded SQL and SQL module language.

See Example 4–7 for a complete example of using precompiled SQL in a distributed transaction using COBOL. See the SQL documentation for information on how to define and use an SQL context structure.

4.1.2.1 Defining an SQL Context Structure

In your procedure, you must define a context structure that holds the TID associated with the distributed transaction.

The following code segment illustrates how to define an SQL context structure using COBOL:

```
WORKING-STORAGE SECTION.  
.  
.  
01 context-structure.  
    02 cs-version          PIC S9(9) COMP VALUE 1.  
    02 cs-type            PIC S9(9) COMP VALUE 1.  
    02 cs-length          PIC S9(9) COMP VALUE 16.  
    02 cs-tid             PIC X(16).  
    02 cs-end             PIC S9(9) COMP VALUE 0.  
.  
.  
.
```

Alternatively, you can use a library to hold the context structure and refer to this library in your procedure. For example:

```
WORKING-STORAGE SECTION.  
.  
.  
EXEC SQL  
    INCLUDE 'AVERTZ_SOURCE:VR_CONTEXT_STRUCTURE_INCLUDE.LIB'  
END-EXEC.  
.  
.  
.
```

Appendix B contains the contents of the libraries referred to in examples from the AVERTZ sample application in this manual.

The following code segment illustrates how to define an SQL context structure using BASIC:

```
RECORD sql_context_structure  
    LONG sqlctx_version  
    LONG sqlctx_type  
    LONG sqlctx_length  
    STRING sqlctx_tid = 16  
    LONG sqlctx_end  
END RECORD sqlctx_structure  
  
DECLARE sql_context_structure sqlcs  
  
sqlcs::sqlctx_version = 1%  
sqlcs::sqlctx_type = 1%  
sqlcs::sqlctx_length = 16%  
sqlcs::sqlctx_end = 0%
```

Alternatively, you can use a BASIC INCLUDE file to define and initialize the context structure and then include this file in your procedure. For example:

```
%INCLUDE "pers_files:pers_sqlctx"
```

Accessing Resource Managers

4.1 Using SQL with Rdb

4.1.2.2 Storing the TID in the SQL Context Structure

You must call the ACMS\$GET_TID service to obtain the TID and store it in the SQL context structure before you access the database.

The following code segment illustrates how to call the ACMS\$GET_TID service to obtain the TID and store it in the SQL context structure using COBOL. If the ACMS\$GET_TID service returns an error, the step procedure raises a nonrecoverable exception and exits.

```
CALL "ACMS$GET_TID" USING BY REFERENCE cs-tid
                        GIVING ret-stat.
IF ret-stat IS NOT SUCCESS
THEN
    CALL "ACMS$RAISE_NONREC_EXCEPTION"
        USING BY REFERENCE ret-stat
    GO TO 999-end
END-IF.
```

The following code segment illustrates how to call the ACMS\$GET_TID service to obtain the TID and store it in the SQL context structure using BASIC. If the ACMS\$GET_TID service returns an error, the step procedure raises a nonrecoverable exception and exits.

```
sts = ACMS$GET_TID( sqlcs::sqlctx_tid BY REF )
IF ( sts AND 1% ) = 0% THEN
    CALL ACMS$RAISE_NONREC_EXCEPTION( sts )
    EXIT FUNCTION
END IF
```

4.1.2.3 Passing the Context Structure to SQL

You must pass the context structure to SQL whenever you use SQL within a distributed transaction. This section describes how you pass the context structure to SQL when you are using precompiled SQL and SQL module language.

- Using precompiled SQL

When you use precompiled SQL, the context structure is passed using the CONTEXT parameter on the EXEC SQL phrase.

The following code segment illustrates how to pass the context structure using precompiled SQL:

```
EXEC SQL USING CONTEXT :context-structure
SET TRANSACTION READ WRITE
RESERVING reservations FOR SHARED WRITE,
        rental_classes,sites,regions FOR SHARED READ
END-EXEC.
```

- Using SQL module language

When you use SQL module language, you must pass the context structure as an argument on the call to the SQL procedure. When you compile the SQL module, you must use the /CONTEXT switch to generate an implicit context parameter for each procedure that participates in a distributed transaction. The context argument is always generated as the last argument in the argument list; therefore, always pass the context structure as the last argument when you call the SQL procedure.

The following code segment illustrates the module header and the first procedure in an SQL module language program for use by a BASIC program:

```
-- Header section
MODULE          pers_appl_procs
LANGUAGE        BASIC
AUTHORIZATION    RDB$DBHANDLE
-- Declare schema
DECLARE PARTS SCHEMA FOR FILENAME 'pers_db:personnel'
-- Start transaction procedure
PROCEDURE start_new_employee_trans
    SQLCODE;
--     Start the transaction
    SET TRANSACTION READ_WRITE
        RESERVING employees FOR SHARED WRITE,
        history FOR SHARED WRITE;
-- Additional procedures
    .
    .
    .
```

The following code segment illustrates how to call the `START_NEW_EMPLOYEE_TRANS` SQL procedure from a BASIC program. Note that the SQL context structure is passed as the last argument in the call to the SQL procedure.

```
    .
    .
    .
CALL start_new_employee_trans( sqlsts, sqlcs )
    .
    .
    .
```

4.1.3 Starting and Ending SQL Database Transactions

You start an SQL database transaction by using a `SET TRANSACTION` statement. However, the way in which you start the database transaction depends on whether the database transaction is part of a distributed transaction.

This section describes how to start a database transaction that is part of a distributed transaction and how to start and end an independent database transaction. In addition, this section discusses various access modes that you can specify when starting a database transaction.

4.1.3.1 Starting an SQL Database Transaction that is Part of a Distributed Transaction

You must specify the SQL context structure when you start a database transaction that is part of a distributed transaction. For example:

```
EXEC SQL USING CONTEXT :context-structure
    SET TRANSACTION READ WRITE
    RESERVING reservations FOR SHARED WRITE,
    rental_classes,sites,regions FOR SHARED READ
END-EXEC.
```

Note

You must specify the SQL context structure on every SQL verb that is executed within the distributed transaction. The step procedure does not function correctly if you omit the SQL context structure on an SQL statement.

Accessing Resource Managers

4.1 Using SQL with Rdb

Because the SQL database transaction is participating in a distributed transaction, Rdb automatically commits or rolls back the database transaction when the distributed transaction ends. Therefore, you must not use the COMMIT or ROLLBACK verbs to end the database transaction.

4.1.3.2 Starting and Ending an Independent SQL Database Transaction

You start an independent database transaction by using a SET TRANSACTION statement. For example:

```
EXEC SQL USING CONTEXT
    SET TRANSACTION READ WRITE
    RESERVING reservations FOR SHARED WRITE,
            rental_classes,sites,regions FOR SHARED READ
END-EXEC.
```

Because the SQL database transaction is not participating in a distributed transaction, you must commit or roll back the database transaction in the procedure. For example:

```
IF step-proc-status IS SUCCESS
THEN
    EXEC SQL
        COMMIT
    END-EXEC
ELSE
    EXEC SQL
        ROLLBACK
    END-EXEC
END-IF.
```

4.1.3.3 Using Rdb Transaction Mode and Lock Mode Specifications

Specify the transaction mode and the lock mode when you start an Rdb database transaction.

The transaction mode specifies how the step procedure accesses the database. If the step procedure only reads records from the database, specify READ ONLY when you start the database transaction. Otherwise, specify READ WRITE in step procedures that read, write, and modify records in the database.

If you do not specify a mode, the SQL default for the SET TRANSACTION statement is READ WRITE, which means that you can both read records from specified tables and write data into them. If you are using RDO, the default is READ ONLY, which means that you can only read records from the database; you cannot update existing records or store new records in the database. Specifying READ ONLY in a procedure that does not write or modify records reduces contention in the database.

Note

When you use an Rdb database, any records you access are not locked until you modify them. Once a record has been modified, it remains locked until the end of the transaction.

The lock mode specifies how the step procedure accesses specific relations in the database. To reduce contention in the database, specify explicitly which relations you access in the database when you start an Rdb transaction. For each relation, specify read or write access to the relation depending on the access the server requires. For example, if the step procedure only reads records, specify READ

access. If the server procedure reads, writes, and modifies records in the relation, specify WRITE access.

Refer to the Rdb documentation for an explanation of the Rdb share modes and the defaults for the keywords you use with the SET TRANSACTION statement in SQL and with the START_TRANSACTION statement in RDO and RDML.

Example 4–3 illustrates how the step procedure VR_COMPLETE_CHECKOUT_PROC starts the database transaction, specifying the transaction mode and the relations it accesses, along with the lock specifications.

Example 4–3 Lock Specification Example

```
EXEC SQL USING CONTEXT :CONTEXT-STRUCTURE
      SET TRANSACTION READ WRITE
      .
      .
      .
      RESERVING RESERVATIONS,
                VEHICLES,
                VEHICLE_RENTAL_HISTORY
      FOR       SHARED WRITE,
                RENTAL_CLASSES,
                SITES,
                REGIONS
      FOR       SHARED READ
END-EXEC.
```

The RESERVATIONS, VEHICLES, and VEHICLE_RENTAL_HISTORY relations are reserved for SHARED WRITE, which means that no other user can modify the records you are updating once they have been modified; other users can, however, read records that you are reading or modifying. Until you commit a modification, other users read the original version of the record.

Also shown in Example 4–3, the RENTAL_CLASSES, SITES, and REGIONS relations are reserved for SHARED READ; this means that other users can read and modify the same records that you are accessing in the relation.

ACMS tasks typically perform a transaction with SHARED access because the database is shared by more than one server process. You might occasionally need to lock an entire relation when you access it; if you need to do so, refer to the SQL documentation on PROTECTED and EXCLUSIVE access.

4.1.3.4 Using an Rdb Wait Mode Specification

The SQL SET TRANSACTION and RDO START_TRANSACTION statements also allow you to specify a wait mode. Using the wait mode, you specify how Rdb handles the situation if it encounters a locked relation or record while accessing the database. If you specify WAIT, the default, Rdb waits until the lock can be granted before continuing. If you specify NOWAIT, Rdb immediately returns an error if it encounters a lock.

If you choose to wait for locks, you can specify the maximum time you are prepared to wait until a lock is granted. If the lock is not granted in the specified time limit, Rdb returns the RDMS\$_TIMEOUT error. Specify the time limit by defining the RDM\$BIND_LOCK_TIMEOUT_INTERVAL logical name in a logical name table that is accessible to the server. Define the RDM\$BIND_LOCK_TIMEOUT_INTERVAL logical name:

- As a server logical name in the application definition

Accessing Resource Managers

4.1 Using SQL with Rdb

- In an application-specific logical name table
- In the system logical name table
- In a group logical name table

For example, the following server logical name definition specifies that Rdb should wait no more than 10 seconds for a lock to be granted:

```
LOGICAL NAME IS  
    RDM$BIND_LOCK_TIMEOUT_INTERVAL = "10";
```

Important

If you are using distributed transactions, always specify a lock timeout interval to ensure that ACMS can successfully cancel a task that is waiting for a database lock. By specifying a lock timeout interval, you ensure that the task will be canceled as soon as the timeout interval expires. If you do not specify a lock timeout interval, the task cannot be canceled until the lock is granted.

4.1.4 Reading from a Database

The procedure `VR_COMPLETE_CHECKOUT_PROC` from the AVERTZ Sample Application illustrates the use of SQL statements in reading information from an Rdb database. As part of the processing associated with checking out a car, the procedure must find the current odometer reading for the selected vehicle. It does this by selecting the record with the highest odometer reading from the `VEHICLE_RENTAL_HISTORY` relation. Because the vehicle history record might contain a null value, the procedure uses an indicator parameter to determine whether or not an odometer reading has been retrieved.

Example 4–4 illustrates how the procedure `VR_COMPLETE_CHECKOUT_PROC` declares an indicator array (for a subsequent `STORE` operation) and an indicator parameter (for the `SELECT` operation). You need to include this when a read operation on the database might return a null value. Example 4–4 shows one way this can appear in a COBOL program.

For detailed information and information on step procedures written in other high-level languages, see the SQL documentation.

Example 4–4 Indicator Array for Null Values

```
*  
* Indicator array for null values  
*  
01 VR_VRH_IND_ARRAY.  
    05 VR_VRH_IND OCCURS 6 TIMES PIC S9(4) COMP.  
01 VR_VRH_IND1 PIC S9(4) COMP.
```

The section of code in Example 4–5 selects the record with the highest odometer reading from the `VEHICLE_RENTAL_HISTORY` relation, specifying an indicator parameter (`RH_VRH_IND1`) that SQL sets when retrieving the data, and places the value in a workspace field.

Example 4–5 Selecting a Value from a Table

```
GET-ODOMETER-READING.  
* Get the last return odometer reading for the vehicle being  
* checked out from the database. If not found, ignore it.  
. .  
EXEC SQL USING CONTEXT :CONTEXT-STRUCTURE  
  SELECT MAX(RETURN_ODOMETER_READING) INTO  
    :VR_VEHICLE_RENTAL_HISTORY_WKSP.CHECKOUT_ODOMETER_READING  
    INDICATOR :VR_VRH_IND1  
  FROM VEHICLE_RENTAL_HISTORY  
  WHERE VEHICLE_ID = :VR_VEHICLES_WKSP.VEHICLE_ID  
END-EXEC.
```

4.1.5 Writing to a Database

Example 4–6 illustrates the use of SQL statements in writing to a database. The procedure updates the car reservation record and the vehicle record in the database. The procedure also writes a new vehicle rental history record to the database. The values of the RETURN_ODOMETER_READING and ACTUAL_RETURN_DATE fields are not known at the time the new history record is stored; therefore, the procedure uses an indicator array to store null values in the database for those fields. (Example 4–7 contains the complete procedure.)

Example 4–6 Writing to a Database

```
. .  
MOVE NEG-ONE TO VR_VRH_IND(5).  
MOVE NEG-ONE TO VR_VRH_IND(6).  
. .  
UPDATE-RESERVATION.  
*  
* Update the reservation in the database  
*  
EXEC SQL USING CONTEXT :CONTEXT-STRUCTURE  
  UPDATE RESERVATIONS  
    SET CREDIT_CARD_NO = :VR_RESERVATIONS_WKSP.CREDIT_CARD_NO,  
        CREDIT_CARD_TYPE_ID =  
          :VR_RESERVATIONS_WKSP.CREDIT_CARD_TYPE_ID,  
        RESERV_STATUS_FLAG = :C-ONE,  
        RESERV_MODIFIC_FLAG =  
          :VR_RESERVATIONS_WKSP.RESERV_MODIFIC_FLAG,  
        BILL_RENTAL_CLASS_ID =  
          :VR_RESERVATIONS_WKSP.BILL_RENTAL_CLASS_ID,  
        VEHICLE_EXPECTED_RETURN_DATE =  
          :VR_RESERVATIONS_WKSP.VEHICLE_EXPECTED_RETURN_DATE  
  WHERE RESERVATION_ID = :VR_RESERVATIONS_WKSP.RESERVATION_ID  
END-EXEC.
```

(continued on next page)

Accessing Resource Managers

4.1 Using SQL with Rdb

Example 4–6 (Cont.) Writing to a Database

```
*
* Update the vehicle record in the database
*
UPDATE-VEHICLES.
  EXEC SQL USING CONTEXT :CONTEXT-STRUCTURE
    UPDATE VEHICLES
      SET CURRENT_SITE_ID =
          :VR_RESERVATIONS_WKSP.VEHICLE_CHECKOUT_SITE_ID,
          AVAILABLE_FLAG = :C-ZERO
      WHERE VEHICLE_ID = :VR_VEHICLES_WKSP.VEHICLE_ID
  END-EXEC.

*
* Write a new vehicle_rental_history record to the database
*
  EXEC SQL USING CONTEXT :CONTEXT-STRUCTURE
    INSERT INTO VEHICLE_RENTAL_HISTORY
      VALUES (:VR_VEHICLE_RENTAL_HISTORY_WKSP:VR_VRH_IND)
  END-EXEC.
```

4.1.6 Handling Errors

You typically write an error handler to process errors returned by Rdb when starting and ending a database transaction and when accessing data in the database. When you use Rdb with SQL, you have normal direct access to the same status values as you do when you use Rdb with RDO. The Rdb return status values are inherently compatible with OpenVMS usage.

Some Rdb errors are expected and are handled by resuming normal program execution. For example, Rdb returns an end-of-stream error when the last record in a record stream has been processed. In this case, the program can resume execution and process the records that have been read. Rdb can also return a number of recoverable errors that the program should check for and handle. For example, if Rdb returns a deadlock error, you might want to roll back the transaction and process the transaction again. Finally, Rdb can return a number of nonrecoverable errors. For example, a disk on which one of the database storage areas resides might fail. In this case, the program cannot continue until the problem has been resolved.

A distributed transaction can abort at any time. If a transaction aborts while a step procedure is executing, Rdb automatically rolls back an active database transaction. However, the step procedure will receive an error the next time it executes an SQL statement in a database transaction that was participating in the distributed transaction. Therefore, an error handler for a step procedure should check for and handle the errors that Rdb returns in this situation.

Typically, you want to retry a transaction automatically in the event of a recoverable error condition such as a deadlock, lock-conflict, lock-timeout, or transaction-timeout error. Rdb returns deadlock, lock-conflict, and lock-timeout errors to your step procedure when you access the database. In contrast, if a distributed transaction times out, the distributed transaction is aborted and ACMS raises a transaction exception in the task. In this case, Rdb returns an error if the step procedure accesses the database after the transaction has aborted.

There is an easy technique, illustrated in examples in this section, that allows you to simplify an exception handler that handles recoverable transaction exceptions in a task definition. The following list indicates how the error handler in the step procedure handles each type of error returned by Rdb:

- Handling recoverable errors

If an error handler in a step procedure detects a recoverable error condition, such as a deadlock, lock-conflict or lock-timeout error, it calls the ACMS\$RAISE_TRANS_EXCEPTION service to raise a transaction exception using the ACMS\$_TRANSTIMEDOUT exception code. If a distributed transaction does not complete within the specified time limit, ACMS also raises a transaction exception using the ACMS\$_TRANSTIMEDOUT exception code. Therefore, using ACMS\$_TRANSTIMEDOUT as the exception code in the step procedure means that the exception handler in the task definition has to test for only a single exception code in order to handle all recoverable transaction exceptions.

If you detect a recoverable error in a step procedure using an independent database transaction that is not participating in a distributed transaction, you can roll back the database transaction and repeat the transaction in the step procedure.

- Handling transaction aborts

If a distributed transaction aborts while a step procedure is executing, Rdb returns one of a number of error status values. If a step procedure detects one of these errors, it raises a transaction exception using the error status. If the error was due to a distributed transaction aborting, ACMS overrides the exception in the task. However, if Rdb returns the error due to some other problem, the task is canceled with the specified exception code.

- Handling nonrecoverable errors

If an unexpected error occurs, the procedure uses the LIB\$CALLG RTL routine to call LIB\$SIGNAL to signal the error information returned by Rdb. If the procedure signals a fatal OpenVMS status, ACMS writes the error to the audit trail log, cancels the task, and runs down the server process. However, if the procedure signals an error or a warning OpenVMS status, ACMS continues executing the step procedure after writing the error to the audit trail log. The error handler also calls the ACMS\$RAISE_NONREC_EXCEPTION service to ensure that the task is canceled.

The procedure VR_COMPLETE_CHECKOUT_PROC handles errors in the following manner:

1. In the Working-Storage Section, the procedure obtains the structure for SQLCODE and RDB\$MESSAGE_VECTOR:

```
EXEC SQL INCLUDE SQLCA END-EXEC.
```

2. In the Procedure Division, the step procedure instructs SQL to execute the instructions in the SQL_ERROR_HANDLER paragraph if an error occurs:

```
EXEC SQL  
    WHENEVER SQLERROR GO TO SQL-ERROR-HANDLER  
END-EXEC.
```

Accessing Resource Managers

4.1 Using SQL with Rdb

- In the `SQL_ERROR_HANDLER` paragraph, the procedure checks the error condition. If a recoverable error occurred, the procedure raises a transaction exception using `ACMS$_TRANSTIMEDOUT` as the exception code. If the distributed transaction aborted, the procedure raises a transaction exception using the error status returned by Rdb. If any other error occurred, the procedure signals the error information in the `Rdb$MESSAGE_VECTOR` structure and raises a nonrecoverable exception.

SQL-ERROR-HANDLER.

```

EVALUATE TRUE
  WHEN ( ( Rdb$LU_STATUS = RDB$_DEADLOCK ) OR
        ( Rdb$LU_STATUS = RDMS$_DEADLOCK ) OR
        ( Rdb$LU_STATUS = RDB$_LOCK_CONFLICT ) OR
        ( Rdb$LU_STATUS = RDMS$_LCKCNFLCT ) OR
        ( Rdb$LU_STATUS = RDMS$_TIMEOUT ) )
    CALL "ACMS$RAISE_TRANS_EXCEPTION" USING
        BY REFERENCE ACMS$_TRANSTIMEDOUT
  WHEN ( ( Rdb$LU_STATUS = RDB$_SYS_REQUEST_CALL ) OR
        ( Rdb$LU_STATUS = RDB$_BAD_TRANS_HANDLE ) OR
        ( Rdb$LU_STATUS = RDB$_DISTABORT ) OR
        ( Rdb$LU_STATUS = RDB$_REQ_SYNC ) OR
        ( Rdb$LU_STATUS = RDB$_READ_ONLY_TRANS ) )
    CALL "ACMS$RAISE_TRANS_EXCEPTION" USING
        BY REFERENCE Rdb$LU_STATUS
  WHEN OTHER
    CALL "LIB$CALLG" USING
        BY REFERENCE Rdb$MESSAGE_VECTOR,
        BY VALUE LIB$SIGNAL
    CALL "ACMS$RAISE_NONREC_EXCEPTION" USING
        BY REFERENCE Rdb$LU_STATUS
END-EVALUATE.
```

- The task definition uses an exception handler action that repeats the transaction step up to five times if a recoverable transaction error occurs:

```

.
.
.
EXCEPTION HANDLER
  SELECT FIRST TRUE OF
    ( ACMS$L_STATUS = vr_update_error ):
      MOVE "TRAGN" TO vr_sendctrl_wksp.sendctrl_key;
      GOTO STEP fix_cust_info;
    ( ACMS$L_STATUS = ACMS$_TRANSTIMEDOUT AND
      vr_control_wksp.retry_count < 5 ):
      REPEAT STEP;
  NOMATCH:
    GET MESSAGE INTO vr_control_wksp.messagepanel;
    MOVE "ACTWT" TO vr_sendctrl_wksp.sendctrl_key,
      " " TO vr_control_wksp.ctrl_key;
    GOTO STEP disp_stat;
  END SELECT;
.
.
.
```

For detailed information on SQL error handling, see the SQL documentation.

4.1.7 Compiling Procedures that Use SQL

You use the SQL precompiler, SQLPRE, when you compile a procedure containing embedded SQL statements. The SQL precompiler processes the embedded SQL statements in your program, producing an intermediate host-language source file, which it then submits to the host-language compiler to produce an object module.

The SQL precompiler command line includes both precompiler and host-language compiler qualifiers. For the precompiler, include a qualifier to specify in which host language the source is written; you can, optionally, include other qualifiers. On the command line, also include any language compiler qualifiers (such as LIST or DEBUG) that you want in effect when the precompiler submits the preprocessed source file to the language compiler. For more information on SQL precompiler qualifiers, see the SQL documentation.

You typically define a symbol to invoke the SQL precompiler. For example:

```
$ SCOB == "$SQLPRE/COBOL"
```

The following command line precompiles the procedure VR_COMPLETE_CHECKOUT_PROC:

```
$ SCOB/LIST VR_COMPLETE_CHECKOUT_PROC
```

Note

Do not make changes to the language source module created by the SQL precompiler and then use the language compiler directly to compile that source module. This rule applies even if you want to make source changes that do not affect SQL statements because the next precompilation of the original embedded SQL module overwrites the changes you make to the temporary language source module generated by the precompiler.

Chapter 6 explains how to link procedures that use SQL.

4.1.8 COBOL Step Procedure Using SQL with Rdb

Example 4–7 contains a complete COBOL procedure that accesses an Rdb database using SQL.

The Complete Checkout Procedure, VR_COMPLETE_CHECKOUT_PROC, does the following:

- Uses the ACMS\$GET_TID service to obtain the TID associated with the transaction
- Starts a database transaction (with the SET TRANSACTION statement)
- For the vehicle being checked out, gets the last odometer reading from the database
- Updates the car rental reservation in the database
- Updates the vehicle record in the database
- Writes a new vehicle rental history record to the database
- Returns a value to the calling task

Accessing Resource Managers

4.1 Using SQL with Rdb

- Handles any errors encountered in the execution of the procedure

Example 4–7 COBOL Procedure Using SQL with Rdb

```

IDENTIFICATION DIVISION.
*****
PROGRAM-ID. VR-COMLETE-CHECKOUT-PROC.
*
*                               *
*           Version:           01 *
*           Edit:              00 *
*           Authors:           HP  *
*           Called from:       VR_COMPLETE_CHECKOUT_TASK *
*                               *
*****
*                               *
*           F U N C T I O N A L   D E S C R I P T I O N *
*                               *
*   This procedure is called from the VR_COMPLETE_CHECKOUT_ *
*   TASK and is used to write a completed reservation record *
*   an updated vehicle record and a new vehicle_rental_his- *
*   tory record to the VEHICLE_RENTALS database. *
*****
ENVIRONMENT DIVISION.
*****
DATA DIVISION.
*****

WORKING-STORAGE SECTION.
*
* Return status to pass to ACMS
*
01 RET-STAT      PIC S9(9) COMP.
01 RSTAT        PIC S9(9) COMP.

*
* External variables
*
01 RDMS$ DEADLOCK      PIC S9(9) COMP VALUE IS EXTERNAL RDMS$ DEADLOCK.
01 RDB$ DEADLOCK      PIC S9(9) COMP VALUE IS EXTERNAL RDB$ DEADLOCK.
01 RDMS$ LCKCNFLCT    PIC S9(9) COMP VALUE IS EXTERNAL RDMS$ LCKCNFLCT.
01 RDB$ LOCK_CONFLICT PIC S9(9) COMP VALUE IS EXTERNAL RDB$ LOCK_CONFLICT.
01 RDMS$ TIMEOUT      PIC S9(9) COMP VALUE IS EXTERNAL RDMS$ TIMEOUT.
01 ACMS$ TRANSTIMEDOUT PIC S9(9) COMP VALUE IS EXTERNAL ACMS$ TRANSTIMEDOUT.
01 RDB$ SYS_REQUEST_CALL PIC S9(9) COMP VALUE IS EXTERNAL RDB$ SYS_REQUEST_CALL.
01 RDB$ BAD_TRANS_HANDLE PIC S9(9) COMP VALUE IS EXTERNAL RDB$ BAD_TRANS_HANDLE.
01 RDB$ DISTABORT     PIC S9(9) COMP VALUE IS EXTERNAL RDB$ DISTABORT.
01 LIB$ SIGNAL        PIC S9(5) COMP VALUE IS EXTERNAL LIB$ SIGNAL.

*
* Indicator array for null values
*
01 VR_VRH_IND_ARRAY.
   05 VR_VRH_IND OCCURS 6 TIMES PIC S9(4) COMP.
01 VR_VRH_IND1      PIC S9(4) COMP.
* External status variables for VR messages.
*
EXEC SQL INCLUDE
      'AVERTZ_SOURCE:VR_MESSAGES_INCLUDE.LIB'
END-EXEC.

```

(continued on next page)

Example 4-7 (Cont.) COBOL Procedure Using SQL with Rdb

```
*
* Literals
*
EXEC SQL INCLUDE
      'AVERTZ_SOURCE:VR_LITERALS_INCLUDE.LIB'
END-EXEC.
*
* Define the SQL return status
*
EXEC SQL INCLUDE
      'AVERTZ_SOURCE:VR_SQL_STATUS_INCLUDE.LIB'
END-EXEC.
*
* Declare the global transaction context structure. This is required for SQLPRE
*
EXEC SQL INCLUDE
      'AVERTZ_SOURCE:VR_CONTEXT_STRUCTURE_INCLUDE.LIB'
END-EXEC.
*
* Get structure for SQLCODE and RDB$MESSAGE_VECTOR.
*
EXEC SQL INCLUDE SQLCA END-EXEC.
*
* Declare the database schema
*
*
* Copy VEHICLE_RENTAL_HISTORY from the CDD
*
EXEC SQL INCLUDE FROM DICTIONARY
      'AVERTZ_CDD_WKSP:VR_VEHICLE_RENTAL_HISTORY_WKSP'
END-EXEC.
*
EXEC SQL
      DECLARE EXTERNAL SCHEMA FILENAME AVERTZ_DATABASE:VEHICLE_RENTALS
END-EXEC.
*****
LINKAGE SECTION.
*
* Copy RESERVATIONS from the CDD
*
EXEC SQL INCLUDE FROM DICTIONARY
      'AVERTZ_CDD_WKSP:VR_RESERVATIONS_WKSP'
END-EXEC.
*
* Copy VEHICLES from the CDD
*
EXEC SQL INCLUDE FROM DICTIONARY
      'AVERTZ_CDD_WKSP:VR_VEHICLES_WKSP'
END-EXEC.
* Copy CONTROL workspace from the CDD - used to handle DDTM timeout
*
EXEC SQL INCLUDE FROM DICTIONARY
      'AVERTZ_CDD_WKSP:VR_CONTROL_WKSP'
END-EXEC.
```

(continued on next page)

Accessing Resource Managers

4.1 Using SQL with Rdb

Example 4-7 (Cont.) COBOL Procedure Using SQL with Rdb

```
*****
PROCEDURE DIVISION USING VR_RESERVATIONS_WKSP,
                        VR_VEHICLES_WKSP,
                        VR_CONTROL_WKSP
                        GIVING RET-STAT.
*****

MAIN-PROGRAM.

    SET RET-STAT TO SUCCESS.

    IF INCREMENT_RETRY_COUNT OF VR_CONTROL_WKSP = "Y"
    THEN
        ADD 1 TO RETRY_COUNT OF VR_CONTROL_WKSP
    END-IF.

    CALL "ACMS$GET_TID" USING CS-TID GIVING RET-STAT.
    IF RET-STAT IS NOT SUCCESS THEN
        CALL "ACMS$RAISE_NONREC_EXCEPTION" USING BY REFERENCE RET-STAT
        GO TO EXIT-PROGRAM
    END-IF.

*
* Update the required record fields and DECLARE The appropriate null indicators
*

    MOVE VEHICLE_CHECKOUT_SITE_ID OF VR_RESERVATIONS_WKSP TO
        CHECKOUT_SITE_ID OF VR_VEHICLE_RENTAL_HISTORY_WKSP.
    MOVE VEHICLE_ID OF VR_VEHICLES_WKSP TO
        VEHICLE_ID OF VR_VEHICLE_RENTAL_HISTORY_WKSP.
    MOVE RESERVATION_ID OF VR_RESERVATIONS_WKSP TO
        RESERVATION_ID OF VR_VEHICLE_RENTAL_HISTORY_WKSP.
    MOVE NEG-ONE TO VR_VRH_IND(5).
    MOVE NEG-ONE TO VR_VRH_IND(6).

* Set up to trap errors returned by SQL; the precompiler will generate the
* necessary tests
*

    EXEC SQL
        WHENEVER SQLERROR GO TO SQL-ERROR-HANDLER
    END-EXEC.

* Start the database transaction
*

    EXEC SQL USING CONTEXT: CONTEXT_STRUCTURE
        SET TRANSACTION READ WRITE
        EVALUATING RS_VALID_BILL_RENTAL_CLASS AT VERB TIME,
        RS_VALID_VEHICL_CHKOUT_SITE_ID AT VERB TIME,
        VE_VALID_CURRENT_SITE_ID AT VERB TIME,
        VRH_VALID_VEHICLE_ID AT VERB TIME,
        VRH_VALID_PRIMARY_KEY AT VERB TIME
        RESERVING RESERVATIONS,VEHICLES,VEHICLE_RENTAL_HISTORY
        FOR SHARED WRITE,
        RENTAL_CLASSES,SITES,REGIONS FOR SHARED READ
    END-EXEC.
```

(continued on next page)

Accessing Resource Managers 4.1 Using SQL with Rdb

Example 4-7 (Cont.) COBOL Procedure Using SQL with Rdb

```
*
*
GET-ODOMETER-READING.
* Get the last return odometer reading for the vehicle being checked out
* from the database. If not found, ignore it.
EXEC SQL WHENEVER NOT FOUND CONTINUE END-EXEC.

EXEC SQL USING CONTEXT :CONTEXT-STRUCTURE
SELECT MAX(RETURN_ODOMETER_READING) INTO
      :VR_VEHICLE_RENTAL_HISTORY_WKSP.CHECKOUT_ODOMETER_READING
      INDICATOR :VR_VRH_IND1
FROM VEHICLE_RENTAL_HISTORY
WHERE VEHICLE_ID = :VR_VEHICLES_WKSP.VEHICLE_ID
END-EXEC.

UPDATE-RESERVATION.
* Update the reservation in the database
*
EXEC SQL USING CONTEXT :CONTEXT-STRUCTURE
UPDATE RESERVATIONS
SET CREDIT_CARD_NO = :VR_RESERVATIONS_WKSP.CREDIT_CARD_NO,
    CREDIT_CARD_TYPE_ID =
      :VR_RESERVATIONS_WKSP.CREDIT_CARD_TYPE_ID,
    RESERV_STATUS_FLAG = :C-ONE,
    RESERV_MODIFIC_FLAG =
      :VR_RESERVATIONS_WKSP.RESERV_MODIFIC_FLAG,
    BILL_RENTAL_CLASS_ID =
      :VR_RESERVATIONS_WKSP.BILL_RENTAL_CLASS_ID,
    VEHICLE_EXPECTED_RETURN_DATE =
      :VR_RESERVATIONS_WKSP.VEHICLE_EXPECTED_RETURN_DATE
WHERE RESERVATION_ID = :VR_RESERVATIONS_WKSP.RESERVATION_ID
END-EXEC.

* Update the vehicle record in the database
*
UPDATE-VEHICLES.
*
EXEC SQL USING CONTEXT :CONTEXT-STRUCTURE
UPDATE VEHICLES
SET CURRENT_SITE_ID =
      :VR_RESERVATIONS_WKSP.VEHICLE_CHECKOUT_SITE_ID,
    AVAILABLE_FLAG = :C-ZERO
WHERE VEHICLE_ID = :VR_VEHICLES_WKSP.VEHICLE_ID
END-EXEC.

* Write a new vehicle_rental_history record to the database
*
EXEC SQL USING CONTEXT :CONTEXT-STRUCTURE
INSERT INTO VEHICLE_RENTAL_HISTORY
VALUES (:VR_VEHICLE_RENTAL_HISTORY_WKSP:VR_VRH_IND)
END-EXEC.

* All database activity was successful; commit the transaction in the task
*
MOVE CHKOUTCOM TO RET-STAT.
GO TO EXIT-PROGRAM.

* Error handling
```

(continued on next page)

Accessing Resource Managers

4.1 Using SQL with Rdb

Example 4–7 (Cont.) COBOL Procedure Using SQL with Rdb

```
SQL-ERROR-HANDLER.  
  
  EVALUATE TRUE  
    WHEN ( ( Rdb$LU_STATUS = RDB$_DEADLOCK ) OR  
           ( Rdb$LU_STATUS = RDMS$_DEADLOCK ) OR  
           ( Rdb$LU_STATUS = RDB$_LOCK_CONFLICT ) OR  
           ( Rdb$LU_STATUS = RDMS$_LCKCNFLCT ) OR  
           ( Rdb$LU_STATUS = RDMS$_TIMEOUT ) )  
      CALL "ACMS$RAISE_TRANS_EXCEPTION" USING  
          BY REFERENCE ACMS$_TRANSTIMEOUT  
  
    WHEN ( ( Rdb$LU_STATUS = RDB$_SYS_REQUEST_CALL ) OR  
           ( Rdb$LU_STATUS = RDB$_BAD_TRANS_HANDLE ) OR  
           ( Rdb$LU_STATUS = RDB$_DISTABORT ) OR  
           ( Rdb$LU_STATUS = RDB$_REQ_SYNC ) OR  
           ( Rdb$LU_STATUS = RDB$_READ_ONLY_TRANS ) )  
      CALL "ACMS$RAISE_TRANS_EXCEPTION" USING  
          BY REFERENCE Rdb$LU_STATUS  
  
    WHEN OTHER  
      CALL "LIB$CALLG" USING  
          BY REFERENCE Rdb$MESSAGE_VECTOR,  
          BY VALUE LIB$SIGNAL  
      CALL "ACMS$RAISE_NONREC_EXCEPTION" USING  
          BY REFERENCE Rdb$LU_STATUS  
  
  END-EVALUATE.  
  
EXIT-PROGRAM.  
  EXIT PROGRAM.
```

4.2 Using Precompiled RDO or RDML with Rdb

This section describes how to write step procedures that access an Rdb database using precompiled RDO or RDML.

A step procedure that accesses an Rdb database on behalf of an ACMS task is similar to any Rdb program that accesses a database. This section explains how to start an Rdb database transaction and how to access data in an Rdb database using RDO.

4.2.1 Using RDO Statements in Step Procedures

You use the *&RDB&* flag to distinguish Rdb RDO statements from host language statements. See the Rdb documentation for more information on using RDO and RDML statements in a host language program. You name the Rdb database that your step procedure accesses using the INVOKE DATABASE statement. You must use the INVOKE DATABASE statement before you can use other RDO statements to access data in the database. For example:

```
&RDB& INVOKE DATABASE FILENAME "avertz_database:vehicle_rentals"
```

The database you name must be the same in all the step procedures, and in the initialization and termination procedures and cancel procedures in the server.

4.2.2 Starting and Ending RDO Database Transactions

You start an RDO database transaction by using a `START_TRANSACTION` statement. However, the way in which you start the database transaction depends on whether the database transaction is part of a distributed transaction.

This section describes how to start a database transaction that is part of a distributed transaction and how to start and end an independent database transaction. When you start an Rdb database transaction, you can also specify transaction, lock, and wait modes.

Important

See Section 4.1.3.3 for information on transaction and lock mode specifications. See Section 4.1.3.4 for important information on transaction wait modes.

4.2.2.1 Starting an RDO Database Transaction that is Part of a Distributed Transaction

For an RDO database transaction to participate in a distributed transaction, you must specify the Transaction ID (TID) on the `START_TRANSACTION` statement.

Note

For a procedure that accesses an Rdb database to participate in a distributed transaction, the database transaction must start in the procedure, not in the task definition.

The following code segment in COBOL illustrates how to start an RDO database transaction that is part of a distributed transaction. The procedure allocates a structure to hold the TID in the Working-Storage Section. In the Procedure Division, the procedure calls `ACMS$GET_TID` to retrieve the TID. If an error occurs, the procedure raises a nonrecoverable exception and exits. If there is no error, the procedure starts the database transaction, specifying the TID using the `DISTRIBUTED_TID` phrase. A common error handler, described in Section 4.2.5, is used to check the status from the `START_TRANSACTION` statement.

```

      .
      .
      .
WORKING-STORAGE SECTION.

&RDB& INVOKE DATABASE FILENAME "avertz_database:vehicle_rentals"

01 dist_tid.
   03 tid_data          PIC X(16).
01 sts                 PIC S9(5) COMP.
      .
      .
      .
```

Accessing Resource Managers

4.2 Using Precompiled RDO or RDML with Rdb

```

PROCEDURE DIVISION.
MAIN SECTION.
.
.
CALL "ACMS$GET_TID" USING BY REFERENCE dist_tid
      GIVING sts.
IF sts IS FAILURE
THEN
CALL "ACMS$RAISE_NONREC_EXCEPTION" USING BY REFERENCE sts
GO TO 999_end
END-IF.

&RDB& START_TRANSACTION DISTRIBUTED_TRANSACTION
&RDB&   DISTRIBUTED_TID dist_tid READ_WRITE
&RDB&   RESERVING reservations FOR SHARED WRITE,
&RDB&           rental_classes,sites,regions FOR SHARED READ
&RDB&   ON ERROR
&RDB&           GO TO 900-rdb-error
&RDB&   END_ERROR.
.
.
.

```

The following code segment in BASIC illustrates how to start an RDO database transaction that is part of a distributed transaction. The procedure first defines and allocates a structure to hold the TID. The procedure next calls ACMS\$GET_TID to retrieve the TID. If an error occurs, the procedure raises a nonrecoverable exception and exits. If there is no error, the procedure starts the database transaction, specifying the TID using the DISTRIBUTED_TID phrase. A common error handler is used to check the status from the START_TRANSACTION statement.

```

.
.
.
&RDB& INVOKE DATABASE FILENAME "avertz_database:vehicle_rentals"

RECORD dist_tid_structure
  STRING tid_data = 16
END RECORD

DECLARE dist_tid_structure dist_tid

sts = ACMS$GET_TID( dist_tid )
IF ( sts AND 1% ) = 0%
THEN
CALL ACMS$RAISE_NONREC_EXCEPTION( sts )
EXIT FUNCTION sts
END IF

&RDB& START_TRANSACTION DISTRIBUTED_TRANSACTION
&RDB&   DISTRIBUTED_TID dist_tid READ_WRITE
&RDB&   RESERVING reservations FOR SHARED WRITE,
&RDB&           rental_classes,sites,regions FOR SHARED READ
&RDB&   ON ERROR
&RDB&           GOSUB check_rdb_error
&RDB&           EXIT FUNCTION Rdb$LU_STATUS
&RDB&   END_ERROR
.
.
.

```

Accessing Resource Managers

4.2 Using Precompiled RDO or RDML with Rdb

Because the RDO database transaction is participating in a distributed transaction, Rdb automatically commits or rolls back the database transaction when the distributed transaction ends. Therefore, you must not use the COMMIT or ROLLBACK verbs to end the database transaction in the step procedure.

4.2.2.2 Starting and Ending an Independent RDO Database Transaction

You start an independent database transaction by using the START_TRANSACTION statement. For example:

```
&RDB& START_TRANSACTION
&RDB&   RESERVING reservations FOR SHARED WRITE,
&RDB&   rental_classes,sites,regions FOR SHARED READ
&RDB&   ON ERROR
      .
      .
&RDB&   END_ERROR
```

Because the RDO database transaction is not participating in a distributed transaction, you must commit or roll back the database transaction in the procedure. For example:

```
IF sts IS SUCCESS
THEN
  &RDB& COMMIT
ELSE
  &RDB& ROLLBACK
END-IF.
```

4.2.3 Reading from a Database

The examples in this section illustrate how to read a record from a database and retrieve the data from the record.

Each example shows how to read a record from the SITES relation in the AVERTZ database. The procedure first initializes the return status to a failure status; it next uses a FOR statement to locate the target record and a GET statement to retrieve the data from the record. If a record is successfully located, a success value is stored in the procedure's return status. If the record is not found, the return status remains set to the failure status, indicating that the record does not exist. For example, in COBOL:

```
      .
      .
      .
MOVE vr_sirecnotfnd TO return_status.
&RDB& FOR s IN sites WITH s.site_id = site_id
&RDB&   ON ERROR
      GO TO 900-rdb-error
&RDB&   END_ERROR
&RDB&   GET
&RDB&   ON ERROR
      GO TO 900-rdb-error
&RDB&   END_ERROR
&RDB&   vr_sites_wksp = s.*
&RDB&   END_GET
      SET return_status TO SUCCESS
&RDB& END_FOR.
      .
      .
      .
```

Accessing Resource Managers

4.2 Using Precompiled RDO or RDML with Rdb

For example, in BASIC:

```
      .  
      .  
vr_find_site_proc = vr_sirecnotfnd  
&RDB& FOR s IN sites WITH s.site_id = sites::site_id  
  
&RDB&   ON ERROR  
          GOSUB check_rdb_error  
          EXIT FUNCTION Rdb$LU_STATUS  
&RDB&   END_ERROR  
  
&RDB&   GET  
&RDB&   ON ERROR  
          GOSUB check_rdb_error  
          EXIT FUNCTION Rdb$LU_STATUS  
&RDB&   END_ERROR  
&RDB&   sites = s.*  
  
&RDB&   END_GET  
vr_find_site_proc = 1%  
&RDB& END_FOR  
      .  
      .  
      .
```

The error handlers used in these examples are shown in Section 4.2.5.

4.2.4 Writing to a Database

The examples in this section illustrate how to modify an existing record in a database using the **MODIFY** statement and how to store a new record in a database using the **STORE** statement.

When new customers are added to the AVERTZ database, each one must be allocated a customer ID number and a new record stored in the **CUSTOMERS** relation. A relation called **CU_ID_INC_CONTROL** contains a single control record that holds the next available customer ID number. Each example in this section:

- Reads the customer ID control record
- Saves the next available customer ID number
- Increments the ID number and updates the control record
- Stores the new record in the **CUSTOMERS** relation

The following code segment shows how a new customer is added to the database using **COBOL**:

Accessing Resource Managers 4.2 Using Precompiled RDO or RDML with Rdb

```

      .
      .
      .
*
* Obtain new customer ID number
*
      &RDB& FOR i IN cu_id_inc_control
      &RDB&   ON ERROR
            GO TO 900-rdb-error
      &RDB&   END_ERROR
*
* Retrieve next available ID number from control record
*
      &RDB&   GET
      &RDB&   ON ERROR
            GO TO 900-rdb-error
      &RDB&   END_ERROR
      &RDB&   customer_id = i.max_customer_id
      &RDB&   END_GET
*
* Increment next available ID number and update control record
*
      &RDB&   MODIFY i USING
      &RDB&   ON ERROR
            GO TO 900-rdb-error
      &RDB&   END_ERROR
      &RDB&   i.max_customer_id = i.max_customer_id + 1
      &RDB&   END_MODIFY
      &RDB& END_FOR
*
* Store new customer record
*
      &RDB& STORE c IN customers USING
      &RDB&   ON ERROR
            GO TO 900-rdb-error
      &RDB&   END_ERROR
      &RDB&   c.last_name = cu_last_name;
      &RDB&   c.first_name = cu_first_name;
      .
      .
      .
      &RDB&   c.driver_license_region_id =
      &RDB&                               cu_driver_license_region_id;
      &RDB&   c.driver_license_country_id =
      &RDB&                               cu_driver_license_country_id
      &RDB& END_STORE
      .
      .

```

The following code segment illustrates how a new customer is added to the database using BASIC:

```

      .
      .
      .
!
! Obtain new customer ID number
!
      &RDB& FOR i IN cu_id_inc_control
      &RDB&   ON ERROR
            GOSUB check_rdb_error
            EXIT FUNCTION Rdb$LU_STATUS
      &RDB&   END_ERROR

```

Accessing Resource Managers

4.2 Using Precompiled RDO or RDML with Rdb

```
!
! Retrieve next available ID number from control record
!
&RDB& GET
&RDB&     ON ERROR
&RDB&         GOSUB check_rdb_error
&RDB&         EXIT FUNCTION Rdb$LU_STATUS
&RDB&     END_ERROR
&RDB&     cust::customer_id = i.max_customer_id
&RDB& END_GET

!
! Increment next available ID number and update record
!
&RDB& MODIFY i USING
&RDB&     ON ERROR
&RDB&         GOSUB check_rdb_error
&RDB&         EXIT FUNCTION Rdb$LU_STATUS
&RDB&     END_ERROR
&RDB&     i.max_customer_id = i.max_customer_id + 1%
&RDB& END_MODIFY
&RDB& END_FOR

!
! Store new customer record
!
&RDB& STORE c IN customers USING
&RDB&     ON ERROR
&RDB&         GOSUB check_rdb_error
&RDB&         EXIT FUNCTION Rdb$LU_STATUS
&RDB&     END_ERROR
&RDB&     c.last_name = cust::cu_last_name;
&RDB&     c.first_name = cust::cu_first_name;
&RDB&         .
&RDB&         .
&RDB&     c.driver_license_region_id =
&RDB&         cust::cu_driver_license_region_id;
&RDB&     c.driver_license_country_id =
&RDB&         cust::cu_driver_license_country_id
&RDB& END_STORE
```

4.2.5 Handling Errors

You typically write an error handler to process errors returned by Rdb when starting and ending a database transaction and when accessing data in the database. Handling error conditions using RDO with Rdb is very similar to using SQL with Rdb. This section describes the differences between RDO and SQL when using distributed transactions. See Section 4.1.6 for information on handling errors using SQL.

A distributed transaction can abort at any time. If a transaction aborts while a step procedure is executing, Rdb automatically rolls back an active database transaction. The next time the step procedure executes an RDO statement, Rdb starts a new, default database transaction with read-only access to the database. The RDO statement completes successfully only if it retrieves information from the database. However, Rdb returns an error if the RDO statement writes to the database. Therefore, the error handler in a procedure using RDO must check for additional Rdb error codes.

Accessing Resource Managers

4.2 Using Precompiled RDO or RDML with Rdb

Note

Chapter 2 discusses how to write a server cancel procedure that is used to roll back the default database transaction that Rdb starts if a procedure executes an RDO statement after a distributed transaction has aborted.

The following example shows how to write an error handler in BASIC for use in a procedure using RDO:

```
EXTERNAL LONG CONSTANT RDB$_LOCK_CONFLICT
.
.
.
EXTERNAL LONG FUNCTION LIB$SIGNAL
.
.
.
check_rdb_error:
  SELECT Rdb$LU_STATUS
    CASE RDB$_DEADLOCK, &
         RDMS$_DEADLOCK, &
         RDB$_LOCK_CONFLICT, &
         RDMS$_LCKCNFLCT, &
         RDMS$_TIMEOUT
      CALL ACMS$RAISE_TRANS_EXCEPTION( ACMS$_TRANSTIMEDOUT )

    CASE RDB$_SYS_REQUEST_CALL, &
         RDB$_BAD_TRANS_HANDLE, &
         RDB$_DISTABORT, &
         RDB$_READ_ONLY_TRANS, &
         RDB$_REQ_SYNC
      CALL ACMS$RAISE_TRANS_EXCEPTION( Rdb$LU_STATUS )

    CASE ELSE
      CALL LIB$CALLG( Rdb$MESSAGE_VECTOR, &
                    LOC( LIB$SIGNAL ) BY VALUE )
      CALL ACMS$RAISE_NONREC_EXCEPTION( Rdb$LU_STATUS )
  END SELECT
  RETURN
.
.
.
```

4.2.6 Compiling Rdb Procedures that Use RDO

You use the RDO precompiler, RDBPRE, when you compile a procedure containing embedded RDO statements. The RDO precompiler processes the embedded RDO statements in your program, producing an intermediate host language source file, which it then submits to the host language compiler to produce an object module.

The RDO precompiler command line includes both precompiler and host language compiler qualifiers. For the precompiler, include a qualifier to specify in which host language the source is written; you can, optionally, include other qualifiers. On the command line, also include any language compiler qualifiers (such as LIST or DEBUG) that you want in effect when the precompiler submits the preprocessed source file to the language compiler. For more information on RDO precompiler qualifiers, see the Rdb documentation.

Accessing Resource Managers

4.2 Using Precompiled RDO or RDML with Rdb

You typically define a symbol to invoke the RDO precompiler. For example:

```
$ RCOB == "$RDBPRE/COBOL"
```

The following command line precompiles a procedure called VR_FIND_SITE_RDO_PROC:

```
$ RCOB/LIST VR_FIND_SITE_RDO_PROC
```

Note

Do not make changes to the language source module created by the RDO precompiler and then use the language compiler directly to compile that source module. This rule applies even if you want to make source changes that do not affect RDO statements because the next precompilation of the original embedded RDO module overwrites the changes you make to the temporary language source module generated by the precompiler.

Chapter 6 explains how to link procedures that use RDO.

4.3 Using DBMS

A procedure for an ACMS task that accesses a DBMS database is similar to any DBMS program that accesses a database. For example, the procedure uses the same DBMS DML (Data Manipulation Language) statements, such as MOVE and STORE. It handles errors by testing against DBMS error conditions.

4.3.1 Using DBMS DML Statements in Step Procedures

COBOL supports DBMS DML statements as part of the COBOL language. However, if you are using DBMS with another language, such as BASIC, you use the DBMS DML precompiler to process the DML statements in your program in much the same way as you do when you use SQL or RDO with Rdb.

The DBMS DML precompiler uses a prefix character to distinguish DML statements from host language statements. The default prefix character is the pound-sign (#) character. For information on DML statements, refer to the DBMS documentation.

In COBOL, you name the database that your step procedure accesses in the SUBSCHEMA section in the Data Division. The subschema name is required, even if you are using the default subschema. The schema name is also required. For example:

```
DB  DEFAULT_SUBSCHEMA
    WITHIN "PERS_CDD.PERS_DBMS_SCHEMA"
    FOR "PERS_DB: PERS_DBMS".
```

In other languages, you name the database that your step procedure accesses using the INVOKE statement. In this BASIC example, the procedure uses record-type structures in the user work area:

```
# INVOKE DEFAULT_SUBSCHEMA -
    WITHIN PERS_CDD.PERS_DBMS_SCHEMA -
    FOR PERS_DB:PERSONNEL -
    ( RECORDS )
```

The database and subschema you name must be the same in all the procedures linked into the server.

4.3.2 Starting and Ending a DBMS Database Transaction

You start a DBMS database transaction by using a READY statement. However, the way in which you start the database transaction depends on whether the database transaction is part of a distributed transaction. In the READY statement, you can specify the realms the step procedure accesses in the database. If you do not specify one or more realms, DBMS readies all the realms in the subschema.

This section describes how to start a database transaction that is part of a distributed transaction and how to start and end an independent database transaction. In addition, it discusses various access modes that you can specify when starting a database transaction.

4.3.2.1 Starting a DBMS Database Transaction that Is Part of a Distributed Transaction

For a DBMS database transaction to participate in a distributed transaction, you must specify the transaction ID (TID) on the READY statement.

Note

For a procedure that accesses a DBMS database to participate in a distributed transaction, the database transaction must start in the procedure, not in the task definition.

The following code segment illustrates how to start a DBMS database transaction that is part of a distributed transaction in COBOL. In the Working-Storage Section, the procedure allocates a structure to hold the TID. In the Procedure Division, the procedure calls ACMS\$GET_TID to retrieve the TID. If an error occurs, the procedure raises a nonrecoverable exception and exits. If there is no error, the procedure starts the database transaction by calling DBQ\$INTERPRET. It specifies the FOR TRANSACTION phrase in the READY statement and passes the TID as an argument to DBQ\$INTERPRET.

```
CALL "DBQ$INTERPRET" USING
    BY DESCRIPTOR "READY CONCURRENT UPDATE FOR TRANSACTION",
    BY REFERENCE dist_tid
    GIVING return_status.
IF return_status IS FAILURE
THEN
    CALL "DBM$SIGNAL"
END-IF
```

See the COBOL and DBMS documentation for more information on starting a database transaction in COBOL.

The following code segment illustrates how to start a DBMS database transaction that is part of a distributed transaction in BASIC. The procedure first defines and allocates a structure to hold the TID. It next calls ACMS\$GET_TID to retrieve the TID. If an error occurs, the procedure raises a nonrecoverable exception and exits. If there is no error, the procedure starts the database transaction, specifying the TID using the FOR TRANSACTION phrase on the READY statement.

Accessing Resource Managers

4.3 Using DBMS

```
      .
      .
      .
RECORD dist_tid_structure
      STRING tid_data = 16
END RECORD
DECLARE dist_tid_structure dist_tid
      .
      .
      .
sts = ACMS$GET_TID( dist_tid BY REF )
IF ( sts AND 1% ) = 0%                                &
THEN
      CALL ACMS$RAISE_NONREC_EXCEPTION( sts )
END IF
# READY CONCURRENT UPDATE FOR TRANSACTION dist_tid
      .
      .
      .
```

Because the DBMS database transaction is participating in a distributed transaction, DBMS automatically commits or rolls back the database transaction when the distributed transaction ends. Therefore, you must not use the COMMIT or ROLLBACK verbs to end the database transaction in the step procedure.

Important

For a DBMS database transaction to participate in a distributed transaction, you must specify the TID in the READY verb. If you omit it, the task does not function correctly.

4.3.2.2 Starting and Ending an Independent DBMS Database Transaction

You start an independent database transaction by using the READY statement. For example, in COBOL:

```
READY CONCURRENT RETRIEVAL.
```

The following example starts an independent, read-only database transaction using BASIC:

```
# READY CONCURRENT RETRIEVAL
```

Because the DBMS database transaction is not participating in a distributed transaction, you must commit or roll back the database transaction in the procedure. For example, in COBOL:

```
      .
      .
      .
IF sts IS SUCCESS
THEN
      COMMIT
ELSE
      ROLLBACK
END-IF.
      .
      .
      .
```

For example, in BASIC:

```
.  
. .  
IF ( sts AND 1% ) = 1%  
THEN  
  # COMMIT  
ELSE  
  # ROLLBACK  
END IF  
. .  
.
```

4.3.2.3 Using DBMS Access and Allow Mode Specifications

You can specify the access mode and allow mode when you start a DBMS database transaction. The access mode specifies how the step procedure accesses the database. If the step procedure only reads records from the database, specify `RETRIEVAL` when you start the database transaction. Specify `UPDATE` in step procedures that read, write, and modify records in the database. If you do not specify an access mode, the default is `RETRIEVAL` access, which means that you can only read records from the database. Using `RETRIEVAL` mode in a procedure that does not update records reduces database contention.

The allow mode specifies how you will allow other processes to access the database. The default is `PROTECTED`, which means that other processes can read records from the database, but they cannot modify existing records or store new records in the database. Specify `PROTECTED` if a single process only needs write-access to the database. If multiple processes need write-access to the database, specify `CONCURRENT` mode. (DBMS also supports `BATCH` and `EXCLUSIVE` allow modes.)

Refer to the DBMS documentation for more information on database access and allow modes.

4.3.2.4 Using a DBMS Wait Mode Specification

When you create or modify a database, you can specify how DBMS handles the situation if it encounters a locked record while accessing the database. If you use the `/WAIT_RECORD_LOCKS` qualifier on the `DBO/CREATE` or `DBO/MODIFY` command, DBMS waits until the lock can be granted before continuing. If you use the `/NOWAIT_RECORD_LOCKS` qualifier, DBMS immediately returns an error if it encounters a lock. You can override the wait-mode specification at run time by using the `DBM$BIND_WAIT_RECORD_LOCKS` logical name.

If you choose to wait for locks, you can specify the maximum time you are prepared to wait until a lock is granted. If the lock is not granted in the specified time limit, DBMS returns the `DBM$_LCKCNFLCT` or `DBM$_TIMEOUT` errors. Specify the time limit by defining the `DBM$BIND_LOCK_TIMEOUT_INTERVAL` logical name in a logical name table that is accessible to the server. Define the `DBM$BIND_LOCK_TIMEOUT_INTERVAL` logical name in one of the following ways:

- As a server logical name in the application definition
- In an application-specific logical name table
- In the system logical name table
- In a group logical name table

Accessing Resource Managers

4.3 Using DBMS

For example, the following server logical name definition specifies that DBMS should wait no more than 10 seconds for a lock to be granted:

```
LOGICAL NAME IS
    DBM$BIND_LOCK_TIMEOUT_INTERVAL = "10";
```

See the DBMS documentation for more information on specifying the wait mode and lock timeout interval.

Important

If you are using distributed transactions, always specify a lock timeout interval to ensure that ACMS can successfully cancel a task that is waiting for a database lock. By specifying a lock timeout interval, you ensure that the task is canceled as soon as the timeout interval expires. If you do not specify a lock timeout interval, the task cannot be canceled until the lock is granted.

4.3.3 Reading from a Database

The examples in this section illustrate how to read a record from a DBMS database and return the data to the task in a workspace.

Example 4–8 illustrates a simple step procedure written in COBOL that reads a record from a personnel database. The procedure first moves the record key from the task workspace into the user work area (UWA). It next starts a database transaction and reads the record from the database. If the employee's record does not exist or is locked, the procedure returns a failure status. If any other error occurs, the procedure calls DBM\$SIGNAL to signal the error and then calls ACMS\$RAISE_NONREC_EXCEPTION to ensure that the task is canceled. If the record is read successfully, the procedure moves the data from the UWA into the task workspaces and returns a success status. Finally, the procedure ends the transaction.

Example 4–8 Step Procedure in COBOL that Reads a DBMS Record

```
IDENTIFICATION DIVISION.
PROGRAM-ID. pers_find_employee_proc.

ENVIRONMENT DIVISION.

DATA DIVISION.
SUB-SCHEMA SECTION.

DB  DEFAULT_SUBSCHEMA
    WITHIN "PERS_CDD.PERS_DBMS_SCHEMA"
    FOR "PERS_DB:PERS_DBMS".

WORKING-STORAGE SECTION.

01 return_status          PIC S9(5) COMP.
01 error_cond             PIC S9(5) COMP.

COPY "pers_files:pers_common_defns".
```

(continued on next page)

Example 4–8 (Cont.) Step Procedure in COBOL that Reads a DBMS Record

```

LINKAGE SECTION.
COPY "pers_cdd.employee_record" FROM DICTIONARY
  REPLACING ==employee_record== BY ==emp_wksp_record==.
PROCEDURE DIVISION USING emp_wksp_record GIVING return_status.

MAIN SECTION.
000-start.
  MOVE emp_badge_number OF emp_wksp_record TO
    emp_badge_number OF employee_record.

  READY CONCURRENT RETRIEVAL.

  FETCH FIRST WITHIN ALL_EMPLOYEES
    USING emp_badge_number OF employee_record

  ON ERROR
    CALL "LIB$MATCH_COND" USING
      BY REFERENCE DB-CONDITION,
      BY REFERENCE DBM$_END,
      BY REFERENCE DBM$_DEADLOCK,
      BY REFERENCE DBM$_LCKCNFLCT,
      BY REFERENCE DBM$_TIMEOUT
      GIVING error_cond

    EVALUATE error_cond
      WHEN 1
        MOVE persmsg_empnotfound TO return_status
      WHEN 2 THRU 4
        MOVE persmsg_emplocked TO return_status
      WHEN OTHER
        CALL "DBM$SIGNAL"
        CALL "ACMS$RAISE_NONREC_EXCEPTION" USING
          BY REFERENCE DB-CONDITION

    END-EVALUATE

  NOT ON ERROR
    MOVE employee_record TO emp_wksp_record
    MOVE persmsg_success TO return_status
  END-FETCH.

  COMMIT.

999-end.
  EXIT PROGRAM.

```

Example 4–9 illustrates a simple step procedure written in BASIC that reads a record from a personnel database. The procedure extends the previous COBOL example by including logic to retry the transaction automatically if the employee's record is locked. The procedure first initializes a transaction retry-counter and moves the record key from the task workspace into the user work area (UWA). It then starts a database transaction, reads the record from the database, and ends the transaction. Finally, the procedure moves the employee's record from the UWA into the task workspaces and returns a success status.

The procedure uses an error handler to trap errors signaled by DBMS. Because DBMS always signals severe OpenVMS status codes, the procedure uses the `HANDLE=SEVERE` option to trap the errors in the handler. If the employee's record does not exist, the error handler returns a failure status. If the error handler detects a record-locked or lock-timeout error, it retries the transaction up to 5 times before return a failure status. If any other error occurs, the error

Accessing Resource Managers

4.3 Using DBMS

handler uses the `EXIT HANDLER` statement to resignal the error condition. Finally, the error handler ends the current transaction, trapping and ignoring all errors.

Example 4–9 Step Procedure in BASIC that Reads a DBMS Record

```
FUNCTION LONG pers_find_employee_proc( employee_record emp_wksp )
OPTION HANDLE=SEVERE

%INCLUDE "pers_files:pers_common_defns"
%INCLUDE %FROM %CDD "pers_cdd.employee_record"

DECLARE LONG retry_count

# INVOKE DEFAULT_SUBSCHEMA -
  WITHIN PERS_CDD.PERS_DBMS_SCHEMA -
  FOR PERS_DB:PERS_DBMS -
  ( RECORDS )

WHEN ERROR IN
  retry_count = 0%
  employee_record::emp_badge_number = emp_wksp::emp_badge_number

start_db_trans:
  # READY CONCURRENT RETRIEVAL
  # FETCH FIRST WITHIN ALL_EMPLOYEES USING emp_badge_number
  # COMMIT

  emp_wksp = employee_record
  pers_find_employee_proc = persmsg_success

USE
  SELECT LIB$MATCH_COND( DBM$COND, DBM$END,           &
                        DBM$DEADLOCK,             &
                        DBM$LCKCNFLCT,           &
                        DBM$TIMEOUT )

  CASE 1           ! DBM$END
    pers_find_employee_proc = persmsg_empnotfound

  CASE 2, 3, 4     ! DBM$DEADLOCK, DBM$LCKCNFLCT, DBM$TIMEOUT
    IF retry_count < 5%                                &
    THEN
      retry_count = retry_count + 1%
      # ROLLBACK ( TRAP ERROR )
      CONTINUE start_db_trans
    ELSE
      pers_find_employee_proc = persmsg_emplocked
    END IF

  CASE ELSE
    EXIT HANDLER
  END SELECT
  # ROLLBACK ( TRAP ERROR )
END WHEN

END FUNCTION
```

4.3.4 Writing to a Database

This section illustrates how to store a new record in a DBMS database and how to update a record in a DBMS database.

Example 4–10 explains how to store a new record in a DBMS database. The `PERS_ADD_EMPLOYEE_PROC` procedure stores a new record in the employee set using the information that is entered by the user and passed to the procedure in a task workspace.

Accessing Resource Managers 4.3 Using DBMS

The procedure first calls ACMS\$GET_TID to obtain the current transaction ID (TID). The procedure next calls DBQ\$INTERPRET to start the database transaction. If successful, it copies the new employee record data from the task workspace to the user work area (UWA) and stores the current time in the employee record; the time-stamp field is used for consistency-checking by the update procedure. The procedure then stores the record in the database. If all is successful, the procedure returns a success status to the task. The error handler for this procedure is described in Section 4.3.5.

Example 4–10 Step Procedure in COBOL that Updates a DBMS Record

```
IDENTIFICATION DIVISION.
PROGRAM-ID. pers_add_employee_proc.

ENVIRONMENT DIVISION.

DATA DIVISION.
SUB-SCHEMA SECTION.

DB  DEFAULT_SUBSCHEMA
    WITHIN "PERS_CDD.PERS_DBMS_SCHEMA"
    FOR "PERS_DB:PERS_DBMS".

WORKING-STORAGE SECTION.

01 return_status          PIC S9(5) COMP.
01 error_cond            PIC S9(5) COMP.
01 dist_tid.
   03 tid_data           PIC X(16).

COPY "pers_files:pers_common_defns".

LINKAGE SECTION.
COPY "pers_cdd.employee_record" FROM DICTIONARY
   REPLACING ==employee_record== BY ==emp_wksp_record==.

PROCEDURE DIVISION USING emp_wksp_record GIVING return_status.

DECLARATIVES.
dml-failure SECTION.
   USE FOR DB-EXCEPTION.
010-dbm-failure.
   .
   .
   .
   EXIT PROGRAM.
END DECLARATIVES.

MAIN SECTION.

000-start.
   CALL "ACMS$GET_TID" USING
       BY REFERENCE dist_tid
       GIVING return_status.
   IF return_status IS FAILURE
   THEN
       CALL "ACMS$RAISE_NONREC_EXCEPTION" USING
           BY REFERENCE return_status
       EXIT PROGRAM
   END-IF.
```

(continued on next page)

Accessing Resource Managers

4.3 Using DBMS

Example 4–10 (Cont.) Step Procedure in COBOL that Updates a DBMS Record

```
CALL "DBQ$INTERPRET" USING
    BY DESCRIPTOR "READY CONCURRENT UPDATE FOR TRANSACTION",
    BY REFERENCE dist_tid
    GIVING return_status.
IF return_status IS FAILURE
THEN
    CALL "DBM$SIGNAL"
END-IF

MOVE emp_wksp_record TO employee_record.
CALL "SYS$GETTIM" USING
    BY REFERENCE emp_last_update OF employee_record
    GIVING return_status.
IF return_status IS FAILURE
THEN
    CALL "LIB$STOP" USING BY VALUE return_status
END-IF.

STORE employee_record.

MOVE persmsg_success TO return_status.

999-end.
EXIT PROGRAM.
```

Example 4–11 illustrates how to update a record in a DBMS database. The `PERS_CHANGE_EMPLOYEE_PROC` procedure updates a record in the employee set using the information that is entered by the user and passed to the procedure in a task workspace. To conserve resources, the task does not retain server context while the user is modifying the employee's information. Therefore, the procedure must ensure that the information in the record has not changed while the user was updating the information on the screen.

The procedure first rereads the original record in the file and then uses a time stamp stored in the record to ensure that the version read in this procedure is the same as the version read previously by the `PERS_FIND_EMPLOYEE_PROC` procedure. If the record has been updated, the procedure returns an error and unlocks the record. If the record has not been changed, the procedure copies the data from the task workspace record to the user workspace area (UWA), calls `SYS$GETTIM` to retrieve the current system time, and updates the current record. The error handling in this procedure is described in Section 4.3.5.

Example 4–11 Step Procedure in BASIC that Updates a DBMS Record

```
FUNCTION LONG pers_change_employee_proc( employee_record emp_wksp )
OPTION HANDLE=SEVERE

%INCLUDE "pers_files:pers_common_defns"
%INCLUDE %FROM %CDD "pers_cdd.employee_record"
```

(continued on next page)

Example 4–11 (Cont.) Step Procedure in BASIC that Updates a DBMS Record

```

RECORD dist_tid_structure
  STRING tid_data = 16
END RECORD
DECLARE dist_tid_structure dist_tid

DECLARE LONG sts

# INVOKE DEFAULT_SUBSCHEMA -
  WITHIN PERS_CDD.PERS_DBMS_SCHEMA -
  FOR PERS_DB:PERS_DBMS -
  ( RECORDS )

sts = ACMS$GET_TID( dist_tid BY REF )
IF ( sts AND 1% ) = 0%                                &
THEN
  CALL ACMS$RAISE_NONREC_EXCEPTION( sts )
END IF

WHEN ERROR IN
  employee_record::emp_badge_number = emp_wksp::emp_badge_number
  # READY CONCURRENT UPDATE FOR TRANSACTION dist_tid
  # FETCH FIRST WITHIN ALL_EMPLOYEES -
    USING emp_badge_number
  IF employee_record::emp_last_update =                &
    emp_wksp::emp_last_update                          &
  THEN
    employee_record = emp_wksp
    sts = SYS$GETTIM( employee_record::emp_last_update BY REF )
    IF ( sts AND 1% ) = 0%                                &
    THEN
      CALL LIB$STOP( sts )
    END IF
    # MODIFY employee_record
    pers_change_employee_proc = persmsg_success
  ELSE
    pers_change_employee_proc = persmsg_empchanged
  END IF

USE
.
.
.
END WHEN

END FUNCTION

```

4.3.5 Handling Errors

You typically write an error handler to process errors returned by DBMS when accessing records in a database. The examples in Section 4.3.3 and Section 4.3.4 illustrate how to handle some of the standard errors, such as record-not-found, that DBMS can return when you read, write, or update a record in a database. In addition, also be aware of the error conditions that can occur when you are using DBMS in distributed transactions.

Some DBMS errors are expected and are handled by resuming normal program execution. For example, DBMS returns an end-of-collection error if a procedure reads past the last record in a set. In this case, the program can resume execution and process the records that have been read. DBMS can also return a number of recoverable errors that the program should check for and handle.

Accessing Resource Managers

4.3 Using DBMS

For example, if DBMS returns a deadlock error, you might want to roll back the transaction and process the transaction again. Finally, DBMS can return a number of nonrecoverable errors. For example, a disk on which one of the database storage areas resides might fail. In this case, the program cannot continue until the problem has been resolved.

A distributed transaction can abort at any time. If a transaction aborts while a step procedure is executing, DBMS automatically rolls back an active database transaction. However, the step procedure will receive an error the next time it executes a DML statement in a database transaction that was participating in the distributed transaction. Therefore, an error handler for a step procedure should check for and handle the errors that DBMS returns in this situation.

Typically, you want to retry a transaction automatically in the event of a recoverable error condition such as a deadlock, lock-timeout or transaction timeout error. If DBMS detects deadlock or lock-timeout error conditions, it returns an error to your step procedure when you access the database. In contrast, if a distributed transaction times out, the distributed transaction is aborted, and ACMS raises a transaction exception in the task. In this case, DBMS returns an error if the step procedure accesses the file after the transaction has aborted.

There is an easy technique, illustrated in examples in this section, that allows you to simplify an exception handler that handles recoverable transaction exceptions in a task definition. The following list indicates how the error handler in the step procedure handles each type of error returned by DBMS:

- Handling recoverable errors

If an error handler in a step procedure detects a recoverable error condition, such as a deadlock or lock-timeout error, it calls the `ACMS$RAISE_TRANS_EXCEPTION` service to raise a transaction exception using the `ACMS$_TRANSTIMEDOUT` exception code. If a distributed transaction does not complete within the specified time limit, ACMS also raises a transaction exception using the `ACMS$_TRANSTIMEDOUT` exception code. Therefore, using `ACMS$_TRANSTIMEDOUT` as the exception code in the step procedure means that the exception handler in the task definition has to test for only a single exception code in order to handle all recoverable transaction exceptions.

If you detect a recoverable error in a step procedure that is using an independent database transaction that is not participating in a distributed transaction, you can roll back the database transaction and repeat the transaction in the step procedure.

- Handling transaction aborts

If a distributed transaction aborts while a step procedure is executing, DBMS returns one of a number of error status values. If a step procedure detects one of these errors, it raises a transaction exception using the error status. If the error was due to a distributed transaction aborting, ACMS overrides the exception in the task. However, if DBMS returns the error due to some other problem, the task is canceled with the specified exception code.

- Handling nonrecoverable errors

If an unexpected error occurs, the procedure signals the error information returned by DBMS. If the procedure signals a fatal OpenVMS exception, ACMS writes the error to the audit trail log, cancels the task, and runs down the server process. However, if the procedure signals an error or a warning OpenVMS status, ACMS continues executing the step procedure

Accessing Resource Managers 4.3 Using DBMS

after writing the error to the audit trail log. The error handler also calls the ACMS\$RAISE_NONREC_EXCEPTION service to ensure that the task is canceled.

The following example illustrates the error handler for the COBOL example in Section 4.3.4. If a record with the same badge number already exists in the database, the procedure returns a failure status. If the employee record set is locked, it raises a transaction exception using ACMS\$_TRANSTIMEDOUT as the exception code. If the distributed transaction has aborted, it raises a transaction exception using the DBMS error status as the exception code. If any other error condition occurred, the procedure calls DBM\$SIGNAL to signal the error and then raises a nonrecoverable exception.

```

      .
      .
      .
WORKING-STORAGE SECTION.
01 return_status          PIC S9(5) COMP.
01 error_cond            PIC S9(5) COMP.
01 dist_tid.
   03 tid_data           PIC X(16) .
      .
      .
      .
PROCEDURE DIVISION USING emp_wksp_record GIVING return_status.

DECLARATIVES.
dml-failure SECTION.
  USE FOR DB-EXCEPTION.

010-dbm-failure.
  CALL "LIB$MATCH_COND" USING
      BY REFERENCE DB-CONDITION,
      BY REFERENCE DBM$_DUPNOTALL,
      BY REFERENCE DBM$_DEADLOCK,
      BY REFERENCE DBM$_LCKCNFLCT,
      BY REFERENCE DBM$_TIMEOUT,
      BY REFERENCE DBM$_PARTDTXNERR,
      BY REFERENCE DBM$_NOTIP,
      BY REFERENCE DBM$_DTXNABORTED
      GIVING error_cond

  EVALUATE error_cond
    WHEN 1
      MOVE persmsg_empexists TO return_status
    WHEN 2 THRU 4
      CALL "ACMS$RAISE_TRANS_EXCEPTION" USING
          BY REFERENCE ACMS$_TRANSTIMEDOUT
    WHEN 5 THRU 7
      CALL "ACMS$RAISE_TRANS_EXCEPTION" USING
          BY REFERENCE DB-CONDITION
    WHEN OTHER
      CALL "DBM$SIGNAL"
      CALL "ACMS$RAISE_NONREC_EXCEPTION" USING
          BY REFERENCE DB-CONDITION

  END-EVALUATE
  EXIT PROGRAM.
END DECLARATIVES.
      .
      .
      .
```

Accessing Resource Managers

4.3 Using DBMS

The following example illustrates the error handler for the BASIC example in Section 4.3.4. If the employee's record has been deleted, the procedure returns a failure status. If the record is locked by another user, it raises a transaction exception using ACMS\$_TRANSTIMEDOUT as the exception code. If the distributed transaction has aborted, it raises a transaction exception using the DBMS error status as the exception code. If any other error condition occurred, the procedure uses the EXIT HANDLER statement to resignal the error.

```
.
.
.
WHEN ERROR IN
  employee_record::emp_badge_number = emp_wksp::emp_badge_number
  # READY CONCURRENT UPDATE FOR TRANSACTION dist_tid
  # FETCH FIRST WITHIN ALL_EMPLOYEES -
    USING emp_badge_number

  IF employee_record::emp_last_update =      &
    emp_wksp::emp_last_update                &
  THEN
    employee_record = emp_wksp
    sts = SYSSGETTIM( employee_record::emp_last_update BY REF )
    IF ( sts AND 1% ) = 0%                    &
    THEN
      CALL LIB$STOP( sts )
    END IF
    # MODIFY employee_record
    pers_change_employee_proc = persmsg_success

  ELSE
    pers_change_employee_proc = persmsg_empchanged
  END IF

USE
  SELECT LIB$MATCH_COND( DBM_COND, DBM$_END,      &
    DBM$_DEADLOCK,      &
    DBM$_LCKCNFLCT,    &
    DBM$_TIMEOUT,      &
    DBM$_PARTDTXNERR,  &
    DBM$_NOTIP,        &
    DBM$_DTXNABORTED )

  CASE 1      ! DBM$_END
    pers_change_employee_proc = persmsg_empdeleted

  CASE 2, 3, 4 ! DBM$_DEADLOCK, DBM$_LCKCNFLCT, DBM$_TIMEOUT
    CALL ACMS$RAISE_TRANS_EXCEPTION( ACMS$_TRANSTIMEDOUT )

  CASE 5, 6, 7 ! DBM$_PARTDTXNERR, DBM$_NOTIP, DBM$_DTXNABORTED
    CALL ACMS$RAISE_TRANS_EXCEPTION( VMSSTATUS )

  CASE ELSE
    EXIT HANDLER
  END SELECT
END WHEN
.
.
.
```

4.3.6 Compiling DBMS Procedures

If you are using COBOL, use the COBOL compiler to compile your procedure. However, if you are using another programming language, such as BASIC, use the DBMS DML precompiler when you compile a procedure containing embedded DML statements. The DML precompiler processes the embedded DML statements in your program, producing an intermediate host language source file, which it then submits to the host language compiler to produce an object module.

The DML precompiler command line includes both precompiler and host language compiler qualifiers. For the precompiler, use the /LANGUAGE qualifier to specify in which host language the source is written; you can, optionally, include other qualifiers. On the command line, include any language compiler qualifiers (such as LIST or DEBUG) that you want in effect when the precompiler submits the preprocessed source file to the language compiler using the /OPTION qualifier. For more information on DML precompiler qualifiers, see the DBMS documentation.

The following command line precompiles a procedure called PERS_CHANGE_EMPLOYEE_PROC:

```
$ DML/LANGUAGE=BASIC/OPTION="/LIST" PERS_CHANGE_EMPLOYEE_PROC
```

Note

Do not make changes to the language source module created by the DML precompiler and then use the language compiler directly to compile that source module. This rule applies even if you want to make source changes that do not affect DML statements because the next precompilation of the original embedded DML module overwrites the changes you make to the temporary language source module generated by the precompiler.

Chapter 6 explains how to link procedures that use DML.

4.4 Using RMS

This section describes how to write step procedures that access RMS files. A step procedure that accesses an RMS file on behalf of an ACMS task is similar to any other program that uses RMS to access a file.

The RMS Journaling layered product provides recovery-unit journaling, after-image journaling, and before-image journaling for RMS sequential, relative, and Prologue 3 indexed files. If you have installed the RMS Journaling product, you can use recovery-unit journaling and distributed transactions to coordinate modifications to records in RMS files with modifications to records in Rdb and DBMS databases. If you do not have the RMS Journaling product, modifications to RMS files will not be coordinated with modifications to Rdb and DBMS databases. See *RMS Journaling for OpenVMS Manual* for more information on RMS journaling.

This section first discusses how to access RMS files that are marked for recovery-unit journaling. The section then illustrates how to read, write, and modify records in an RMS file. Note that there are no special considerations for using RMS files that are marked for after-image journaling or before-image journaling or for using files that are not journaled.

4.4.1 Using Files Marked for RMS Recovery-Unit Journaling

There are no special considerations for using RMS recovery-unit journaling in a distributed transaction started by a task or an agent program. If an RMS file that is marked for recovery-unit journaling is accessed by a step procedure that is participating in a distributed transaction, RMS automatically associates the record stream with the default transaction established by ACMS for the server process. See Chapter 3 for more information on the participation of a step procedure in a distributed transaction.

Accessing Resource Managers

4.4 Using RMS

Note

Processing steps that participate in a distributed transaction must not make calls to the RMS Recovery Unit services (\$START_RU, \$PREPARE_RU, \$COMMIT_RU, \$END_RU, and \$ABORT_RU). Any attempt to intermix these services with distributed transactions leads to unpredictable results.

In contrast, if you access an RMS file marked for recovery-unit journaling outside a distributed transaction, you must start a transaction in the step procedure. Use the OpenVMS transactions services \$START_TRANS, \$END_TRANS, and \$ABORT_TRANS to start and end a transaction in a step procedure. Note that the OpenVMS transaction services have superseded the RMS Recovery Unit services. See *RMS Journaling for OpenVMS Manual* for more information on using the OpenVMS transaction services and RMS recovery-unit journaling.

4.4.2 Reading RMS Records

The examples in this section illustrate how to read a record from an RMS file and return the data to the task in a workspace.

Each example reads a record from a file containing employee records using a key from a field in a workspace. If the record exists, the procedure returns a success status to the task. If the record does not exist, the procedure returns a failure status. Because the PERS_FIND_EMPLOYEE_PROC procedure executes in a server that opens the employee file for read-only access, there is no need to use manual locking statements.

Example 4–12 is a step procedure in COBOL that reads an RMS record.

Example 4–12 Step Procedure in COBOL that Reads an RMS Record

```
IDENTIFICATION DIVISION.  
PROGRAM-ID. pers_find_employee_proc.  
.  
.  
.  
DATA DIVISION.  
FILE SECTION.  
FD      emp_file  
        EXTERNAL  
        DATA RECORD IS employee_record  
        RECORD KEY emp_badge_number OF employee_record.  
COPY "pers_cdd.employee_record" FROM DICTIONARY.  
.  
.  
.  
LINKAGE SECTION.  
COPY "pers_cdd.employee_record" FROM DICTIONARY  
    REPLACING ==employee_record== BY ==emp_wksp_record==.  
PROCEDURE DIVISION USING emp_wksp_record GIVING return_status.  
MAIN SECTION.
```

(continued on next page)

Example 4–12 (Cont.) Step Procedure in COBOL that Reads an RMS Record

```

000-start.
    MOVE persmsg_success TO return_status.
    MOVE emp_badge_number OF emp_wksp_record TO
      emp_badge_number OF employee_record.
    READ emp_file RECORD INTO emp_wksp_record
      KEY IS emp_badge_number OF employee_record
      INVALID KEY
        MOVE persmsg_empnotfound TO return_status
        GO TO 999-end
    END-READ.

    .
    .
    .
999-end.
    EXIT PROGRAM.

```

Example 4–13 is a step procedure in BASIC that reads an RMS record.

Example 4–13 Step Procedure in BASIC that Reads an RMS Record

```

FUNCTION LONG pers_find_employee_proc( employee_record emp_wksp )
%INCLUDE "pers_files:pers_common_defns"
%INCLUDE %FROM %CDD "pers_cdd.employee_record"

MAP ( emp_map ) employee_record emp_rec

WHEN ERROR IN
    GET # emp_file,                                &
        KEY # 0 EQ emp_wksp::emp_badge_number
    MOVE FROM # emp_file, emp_wksp
    pers_find_employee_proc = persmsg_success

USE
    SELECT ERR
        CASE basicerr_record_not_found
            pers_find_employee_proc = persmsg_empnotfound
        CASE ELSE
            CALL ACMS$RAISE_NONREC_EXCEPTION( RMSSTATUS( emp_file ) )
            EXIT HANDLER
    END SELECT
END WHEN

END FUNCTION

```

4.4.3 Writing and Updating RMS Records

This section explains how to write a new record into an RMS file and how to update a record in an RMS file.

Example 4–14 illustrates how to write a new record to a file. The PERS_ADD_EMPLOYEE_PROC procedure is used to store a new record in an employee file using the information entered by the user and passed to the procedure in a task workspace. The procedure first stores the current time in the employee record; the time-stamp field is used for consistency checking by the update procedure. It then initializes the return status to success and writes the new record to the file. Because this procedure is executing in a server that opens the file for read and write access with explicit lock control, the procedure must unlock the record

Accessing Resource Managers

4.4 Using RMS

if the write operation completes successfully. If the write operation fails with a duplicate key, the procedure returns an error status to the task.

Example 4–14 Step Procedure in COBOL that Writes an RMS Record

```
IDENTIFICATION DIVISION.
PROGRAM-ID. pers_add_employee_proc.
.
.
DATA DIVISION.
FILE SECTION.
FD      emp_file
        EXTERNAL
        DATA RECORD IS employee_record
        RECORD KEY emp_badge_number OF employee_record.
COPY "pers_cdd.employee_record" FROM DICTIONARY.
.
.
LINKAGE SECTION.
COPY "pers_cdd.employee_record" FROM DICTIONARY
    REPLACING ==employee_record== BY ==emp_wksp_record==.
PROCEDURE DIVISION USING emp_wksp_record GIVING return_status.
MAIN SECTION.
000-start.
    CALL "SYS$GETTIM" USING
        BY REFERENCE emp_last_update OF emp_wksp_record
        GIVING return_status.
    IF return_status IS FAILURE
    THEN
        CALL "LIB$STOP" USING BY VALUE return_status
    END-IF.
    MOVE persmsg_success TO return_status.
    WRITE employee_record FROM emp_wksp_record
        ALLOWING NO
        INVALID KEY
        MOVE persmsg_empexists TO return_status
        NOT INVALID KEY
        UNLOCK emp_file ALL RECORDS
    END-WRITE.
.
.
999-end.
    EXIT PROGRAM.
```

Example 4–15 illustrates how to update a record in an RMS file. The PERS_CHANGE_EMPLOYEE_PROC procedure updates a record in an employee file using the information that is entered by the user and passed to the procedure in a task workspace. To conserve resources, the task does not retain server context while the user is modifying the employee's information. Therefore, the procedure must ensure that the information in the record has not changed while the user was updating the information on the screen.

The procedure first rereads the original record in the file and then uses a time-stamp stored in the record to ensure that the version read in this procedure is the same as the version read previously by the PERS_FIND_EMPLOYEE_PROC procedure. If the record has been updated, the procedure returns an error and unlocks the record. If the record has not been changed, the procedure copies the data from the task workspace record to the file record, calls SYS\$GETTIM to retrieve the current system time, and updates the current record.

Because the employee file was opened using explicit lock control, the procedure must unlock the record after updating it. The error handling in this procedure checks for record-locked and record-lock timeout errors in case another user is trying to update the employee's record at the same time. In addition, it also checks for a record-not-found error in case the employee's record was deleted while the user was modifying the information. In both cases, the procedure returns an error status so the task can retrieve the error message text and inform the user of the problem.

Example 4–15 Step Procedure in BASIC that Updates an RMS Record

```

FUNCTION LONG pers_change_employee_proc( employee_record emp_wksp )
%INCLUDE "pers_files:pers_common_defns"
%INCLUDE %FROM %CDD "pers_cdd.employee_record"

DECLARE LONG sts

MAP ( emp_map ) employee_record emp_rec

WHEN ERROR IN
  GET # emp_file,                                &
      KEY # 0 EQ emp_wksp::emp_badge_number,    &
      ALLOW NONE,                                &
      WAIT 20
  IF emp_rec::emp_last_update = emp_wksp::emp_last_update &
  THEN
    MOVE TO # emp_file, emp_wksp
    sts = SYS$GETTIM( emp_rec::emp_last_update BY REF )
    IF ( sts AND 1% ) = 0%                        &
    THEN
      CALL LIB$STOP( sts )
    END IF
    UPDATE # emp_file
    pers_change_employee_proc = persmsg_success
  ELSE
    pers_change_employee_proc = persmsg_empchanged
  END IF
  UNLOCK # emp_file

USE
SELECT ERR
CASE  basicerr_record_not_found
      pers_change_employee_proc = persmsg_empdeleted
CASE  basicerr_record_locked,                    &
      basicerr_deadlock,                          &
      basicerr_wait_exhausted
      pers_change_employee_proc = persmsg_emplocked
CASE  ELSE
      CALL ACMS$RAISE_NONREC_EXCEPTION( RMSSTATUS( emp_file ) )
      EXIT HANDLER
END SELECT
END WHEN

```

(continued on next page)

Accessing Resource Managers

4.4 Using RMS

Example 4–15 (Cont.) Step Procedure in BASIC that Updates an RMS Record

```
END FUNCTION
```

4.4.4 Handling Errors

You typically write an error handler to process errors returned by RMS when accessing records in a file. The examples in Section 4.4.2 and Section 4.4.3 illustrate how to handle some standard errors, such as record-not-found, that RMS can return when you read, write, or update a record in an RMS file. In addition, also be aware of the error conditions that can occur when you use RMS files in distributed transactions.

Some RMS errors are expected and are handled by resuming normal program execution. For example, RMS returns an end-of-file error if a procedure reads past the last record in a file. In this case, the program can resume execution and process the records that have been read. RMS can also return a number of recoverable errors that the program should check for and handle. For example, if RMS returns a deadlock error, you might want to roll back the transaction and process the transaction again. Finally, RMS can return a number of nonrecoverable errors. For example, a disk on which a file resides might fail. In this case, the program cannot continue until the problem has been resolved.

A distributed transaction can abort at any time. For example, if the `PERS_CHANGE_EMPLOYEE_PROC` procedure shown in Section 4.4.3 participates in a distributed transaction, the transaction could time out while the procedure is reading the original copy of the employee's record or while updating the record with the new information. If a transaction aborts while a step procedure is executing, RMS automatically rolls back an active recovery unit. If a step procedure reads a record from the file after a distributed transaction has aborted, RMS completes the operation successfully if the record exists and is not locked by another process. However, the step procedure receives an error if it executes a recoverable operation, such as a write or update operation, on the file. Therefore, an error handler for a step procedure should check for and handle the errors that RMS returns in this situation.

If you use RMS in a distributed transaction, you must write a server cancel procedure to release any records that might be read and locked by a step procedure after a distributed transaction aborts. See Chapter 2 for more information on writing server cancel procedures.

Typically, you want to retry a transaction automatically in the event of a recoverable error condition such as a deadlock, lock-timeout or transaction timeout error. RMS returns deadlock and lock-timeout errors to your step procedure when you access the file. In contrast, if a distributed transaction times out, the distributed transaction is aborted, and ACMS raises a transaction exception in the task. In this case, RMS returns an error if the step procedure accesses the file after the transaction has aborted.

There is an easy technique, illustrated in examples in this section, that allows you to simplify an exception handler that handles recoverable transaction exceptions in a task definition. The following list indicates how the error handler in the step procedure handles each type of error returned by RMS:

- Handling recoverable errors

If an error handler in a step procedure detects a recoverable error condition, such as a deadlock or lock-timeout error, it calls the ACMS\$RAISE_TRANS_EXCEPTION service to raise a transaction exception using the ACMS\$_TRANSTIMEDOUT exception code. If a distributed transaction does not complete within the specified time limit, ACMS also raises a transaction exception using the ACMS\$_TRANSTIMEDOUT exception code. Therefore, using ACMS\$_TRANSTIMEDOUT as the exception code in the step procedure means that the exception handler in the task definition has to test for only a single exception code in order to handle all recoverable transaction exceptions.

- Handling transaction aborts

If a distributed transaction aborts while a step procedure is executing, RMS returns one of a number of error status values. If a step procedure detects one of these errors, it raises a transaction exception using the error status. If the error was due to a distributed transaction aborting, ACMS overrides the exception in the task. However, if RMS returns the error due to some other problem, the task is canceled with the specified exception code.

If you detect a recoverable error in a step procedure that is using an independent recovery unit that is not participating in a distributed transaction, you can roll back the recovery unit and repeat the recovery unit in the step procedure.

- Handling nonrecoverable errors

If an unexpected error occurs, the procedure signals the error information returned by RMS. If the procedure signals a fatal OpenVMS exception, ACMS writes the error to the audit trail log, cancels the task, and runs down the server process. However, if the procedure signals an error or warning OpenVMS status, ACMS continues executing the step procedure after writing the error to the audit trail log. The error handler also calls the ACMS\$RAISE_NONREC_EXCEPTION service to ensure that the task is canceled.

The following example illustrates how to handle RMS errors using COBOL. In this example, the error-handling code in the Declaratives section uses the RMS error status when checking for record locks because COBOL returns error 30 for all but the record-locked error.

```

.
.
.
PROCEDURE DIVISION USING emp_wksp_record GIVING return_status.

DECLARATIVES.
employee_file SECTION.
    USE AFTER STANDARD ERROR PROCEDURE ON emp_file.

employee_file_handler.
    EVALUATE TRUE
        WHEN ( ( RMS-STS OF emp_file = RMS$_RLK ) OR
              ( RMS-STS OF emp_file = RMS$_DEADLOCK ) )
            CALL "ACMS$RAISE_TRANS_EXCEPTION" USING
                BY REFERENCE ACMS$_TRANSTIMEDOUT
        WHEN ( ( RMS-STS OF emp_file = RMS$_NRU ) OR
              ( RMS-STS OF emp_file = RMS$_DDTM_ERR ) )
            CALL "ACMS$RAISE_TRANS_EXCEPTION" USING
                BY REFERENCE RMS-STS OF emp_file

```

Accessing Resource Managers

4.4 Using RMS

```
        WHEN OTHER
            CALL "LIB$SIGNAL" USING
                BY REFERENCE RMS-ST5 OF emp_file,
                BY REFERENCE RMS-STV OF emp_file
            CALL "ACMS$RAISE_NONREC_EXCEPTION" USING
                BY REFERENCE RMS-ST5 OF emp_file
        END-EVALUATE.
    END DECLARATIVES.

MAIN SECTION.
000-start.
    MOVE persmsg_success TO return_status.

    MOVE emp_badge_number OF emp_wksp_record TO
        emp_badge_number OF employee_record.
    READ emp_file RECORD
        ALLOWING NO OTHERS
        KEY IS emp_badge_number OF employee_record
        INVALID KEY
            MOVE persmsg_empdeleted TO return_status
            GO TO 999-end
    END-READ.

    IF emp_last_update OF employee_record = emp_last_update OF emp_wksp_record
    THEN
        CALL "SYS$GETTIM" USING
            BY REFERENCE emp_last_update OF emp_wksp_record
            GIVING return_status
        IF return_status IS FAILURE
        THEN
            CALL "LIB$STOP" USING BY VALUE return_status
        END-IF

        REWRITE employee_record FROM emp_wksp_record
            ALLOWING NO OTHERS
            INVALID KEY
                CALL "ACMS$RAISE_NONREC_EXCEPTION"
                    USING RMS-ST5 OF emp_file
        END-REWRITE

    ELSE
        MOVE persmsg_empchanged TO return_status
    END-IF.

    UNLOCK emp_file ALL RECORDS.

999-end.
    EXIT PROGRAM.
```

The following example illustrates how to handle RMS errors using BASIC. Note that the EXIT HANDLER statement is used to resignal the error and exit the error handler in BASIC.

```
FUNCTION LONG pers_change_employee_proc( employee_record emp_wksp )
%INCLUDE "pers_files:pers_common_defns"
%INCLUDE %FROM %CDD "pers_cdd.employee_record"

DECLARE LONG sts

MAP ( emp_map ) employee_record emp_rec
```


Accessing Resource Managers 4.4 Using RMS

```
WHEN ERROR IN
  GET # emp_file,                                &
    KEY # 0 EQ emp_wksp::emp_badge_number,      &
    ALLOW NONE,                                 &
    WAIT 20
  IF emp_rec::emp_last_update = emp_wksp::emp_last_update &
  THEN
    MOVE TO # emp_file, emp_wksp
    sts = SYSS$GETTIM( emp_rec::emp_last_update BY REF )
    IF ( sts AND 1% ) = 0%                        &
    THEN
      CALL LIB$STOP( sts )
    END IF
    UPDATE # emp_file
    pers_change_employee_proc = persmsg_success
  ELSE
    pers_change_employee_proc = persmsg_empchanged
  END IF
  UNLOCK # emp_file
USE
  SELECT ERR
  CASE   basicerr_record_not_found
        pers_change_employee_proc = persmsg_empdeleted
  CASE   basicerr_record_locked,                &
        basicerr_deadlock,                      &
        basicerr_wait_exhausted
        CALL ACMS$RAISE_TRANS_EXCEPTION( ACMS$_TRANSTIMEDOUT )
  CASE   ELSE
        IF ( RMSSTATUS( emp_file ) = RMS$_NRU ) OR      &
          ( RMSSTATUS( emp_file ) = RMS$_DDTM_ERR )      &
        THEN
          CALL ACMS$RAISE_TRANS_EXCEPTION( RMSSTATUS( emp_file ) )
        ELSE
          CALL ACMS$RAISE_NONREC_EXCEPTION( RMSSTATUS( emp_file ) )
          EXIT HANDLER
        END IF
  END SELECT
END WHEN
END FUNCTION
```

Using Message Files with ACMS Tasks and Procedures

At times, tasks and procedures need to return messages to users telling them, for example, that information they requested is locked by another user, that information they typed is not valid for the file the task is using, or that other errors have occurred. You can simplify returning messages to users by setting up a message file that contains the text of messages you want to display. If you set up a message file, you can change the text of messages without having to recompile and relink the procedures and definitions in the application.

This chapter discusses the following topics:

- Creating a source file of messages, including setting up message file characteristics and writing messages
- Using the MESSAGE command to create two output files from your input message file
- Displaying user-defined messages by returning message names from procedures and using the GET MESSAGE clause to retrieve messages from the message file and display messages to users

For more information on creating message files than is in this chapter, see *OpenVMS Command Definition, Librarian, and Message Utilities Manual*.

5.1 Creating Source Files of Messages

A message source file has two main parts:

- Statements that apply to the entire message source file; they define characteristics of the message file. These statements are in the first two lines of the following example.
- Error messages, grouped by the facility to which they apply. These are in the remaining lines of the following example.

```
.TITLE VRMSG Messages for AVERTZ
.IDENT /Version 1.0/

.FACILITY VR,1 / PREFIX=VR_

.SEVERITY INFORMATION

MULCURECFND <Multiple customer records found>
MULRSREFND <Multiple reservation records found>

.END
```

The following sections explain how to write each part of a message source file. Example 5–1 contains a complete message source file.

Using Message Files with ACMS Tasks and Procedures

5.1 Creating Source Files of Messages

5.1.1 Setting Up Message File Characteristics

Three kinds of information can appear in the first part of a message source file, which contains statements that apply to the entire message file:

- Module name
- Listing title
- Comments

The `.TITLE` statement defines the object module name, which is assigned to the object module when you compile the source file using the Message Utility. The object module does not need to have the same name as the source file or the file containing the object module, but it is common practice to do so. The maximum length of the module name is 31 characters.

In the `.TITLE` statement, include a module name and a listing title. For example:

```
.TITLE VRMSG Messages for AVERTZ
```

After the module name (here, `VRMSG`) is a listing title. If you use the `/LIST` qualifier when compiling the source file, the listing title (in this case, `Messages for AVERTZ`), appears at the top of each page of the `.LIS` file. The maximum length of a listing title is 28 characters.

Optionally, you can use an `.IDENT` statement after a `.TITLE` statement to include additional information (beyond that supplied by the `.TITLE` statement) in the object module and the listing file. For example, you can use `.IDENT` to identify the version of the file:

```
.IDENT /Version 1.0/
```

The Message Utility includes the literal string from the `.IDENT` statement in the object module name.

To include comment text in your source file, use an exclamation mark (`!`). For example:

```
! History:  
!      V1.0    Created 12-May-91.
```

Comment text helps others understand the message file and documents the history of the file.

5.1.2 Writing Messages

The main part of a message source file includes the following:

- A `.FACILITY` statement
- `.SEVERITY` statements
- A list of message names and their accompanying text

The following sections explain how to write these.

Using Message Files with ACMS Tasks and Procedures

5.1 Creating Source Files of Messages

5.1.2.1 .FACILITY Statement

You must have at least one .FACILITY statement and one .END statement in a message file.

The following example illustrates how to use the .FACILITY statement:

```
.FACILITY VR,1  
.  
.  
.  
.END
```

Always include both a 1- to 9-character facility name and a facility number in each .FACILITY statement. In the example, VR is the facility name. Separate the facility name and the facility number with either a comma, one or more spaces, or tabs. The name used in a .FACILITY statement does not need to be unique in the message file.

The number in the .FACILITY statement must be a decimal value in the range of 1 to 2047. The facility number used must be unique for the facility name. In the example, 1 is the facility number. For a list of the qualifiers that you can use with the .FACILITY statement, see *OpenVMS Command Definition, Librarian, and Message Utilities Manual*.

The .END statement has no parameters or qualifiers. Always end the file with an .END statement.

5.1.2.2 .SEVERITY Statements

In each block of messages, group messages by their OpenVMS severity levels. The five severity level keywords are:

- SUCCESS
- INFORMATION
- WARNING
- ERROR
- FATAL (or SEVERE)

Use these keywords to mark the beginning of a subgroup of messages in the .SEVERITY statement. For example:

```
.FACILITY VR,1  
.SEVERITY INFORMATION  
.  
.  
.  
.END
```

In message files for ACMS tasks, application developers can write the text of severity messages. In the AVERTZ sample application, most messages are either INFORMATION level or WARNING level messages. The messages for recoverable errors, for example, indicate that an error prevented the procedure from completing but that the user can recover from the error.

Chapter 3 and *OpenVMS RTL Library (LIB\$) Manual* contain more information about severity levels.

Using Message Files with ACMS Tasks and Procedures

5.1 Creating Source Files of Messages

5.1.2.3 Message Names and Text

Messages contain the following:

- Message name
A message name is part of a message symbol, which ACMS uses to retrieve messages from a message file. (An explanation of message symbols follows.)
- Message text
Message text is the 1- to 255-byte text displayed on the screen for the terminal user. Enclose message text in angle brackets (< >) or in quotation marks (" "). For example:

```
.FACILITY VR,1  
.SEVERITY INFORMATION  
MULCURECFND <Multiple customer records found>  
MULRSREFND <Multiple reservation records found>  
.END
```

Note

Never include \$FAO directives in message text accessed by the GET MESSAGE clause. However, message text accessed directly by step procedures can include \$FAO directives. See Chapter 3 for details.

In the previous example, each message text follows a message name (MULCURECFND, for example). ACMS uses message symbols (rather than message names) to retrieve message text from the message file. The linker also uses message symbols to resolve the message symbols in step procedures.

When you compile a message source file, the Message Utility creates a symbol for each message by putting the facility code and an underscore (_) in front of each message name.

Follow these guidelines when creating and using message symbols:

- You can define a shorter facility prefix in a message symbol by using a /PREFIX qualifier with the .FACILITY statement. For example:

```
.FACILITY VEHICLE,1 / PREFIX=VR_
```

If you define a prefix, the Message Utility then uses the prefix instead of the facility name when it creates the message symbol. For example:

```
VR_MULCURECFND  
VR_MULRSREFND
```

- Message symbols must be unique in each message file and in all files used by an ACMS task group. If an ACMS application uses more than one task group, each message symbol must be unique in all files used by all task groups in that application.
- If you use message files, make sure that the symbols created by the Message Utility when you compile the message source file are the same as the message symbols you define in your procedures. For example:

```
01 MULCURECFND          PIC S9(11) COMP  
                        VALUE IS EXTERNAL VR_MULCURECFND.
```

Using Message Files with ACMS Tasks and Procedures

5.1 Creating Source Files of Messages

Example 5–1 shows a complete message source file.

Example 5–1 Source File of Messages

```
.TITLE VRMSG Messages for AVERTZ
.IDENT /Version 1.0/
.FACILITY VR,1 /PREFIX=VR_

.SEVERITY INFORMATION
MULCURECFND <Multiple customer records found>
MULRSREFND <Multiple reservation records found>
VEUGPRF <Vehicle upgrade performed - no charge>
VEDNGPRF <Vehicle downgrade performed - rates adjusted>
CURECUPD <Customer record has been updated in database-hit RETURN to continue>
CURECINS <Customer record has been inserted in database>
CHKINCOMP <Vehicle Checking-in completed successfully - hit RETURN to continue>
CHKOUTCOM <Vehicle Checkout completed successfully - hit RETURN to continue>
RESVCOMP <Vehicle reservation completed successfully - hit RETURN to continue>
VERECFND <Vehicle(s) found in class requested, choose one>
RESSUCCNCLD <Reservation successfully canceled - hit RETURN to continue>

.SEVERITY WARNING
CURECNOTFND <Customer record not found>
RCRECNOTFND <Rental class record not found>
RERECNOTFND <Invalid state/country-reenter valid state/country names>
RSRECNOTFND <Reservation record not found >
SIRECNOTFND <Site record not found, press PF1 S for a list of sites>
VERECNOTFND <No vehicles available for checkout - hit RETURN to continue>
VRHRECNOTFND <Vehicle rental history record not found>
NOTCHKOUT <Vehicle not checked out>
RESCNCLD <Reservation was canceled - reenter data or PF1 Q to quit>
CARCHKIN <Reservation archived,car checked in,paid in full>
CARCHKOUT <Vehicle has already been checked out - reenter data or PF1 Q to quit>
RESCLOSED <Reservation archived,car checked in,payment pending>
DLRENOTFND <Invalid Driver's license state/country>
NOCANCEL <Reservation cannot be canceled at this stage>
INACTIVE <Please enter data or task will be canceled due to inactivity>
DDTM_TIMEOUT <The distributed transaction timed out --- please retry>

.SEVERITY ERROR
NO_DUP <Duplicate database key>
DEADLOCK <Database deadlock>
INTEG_FAIL <Database integrity failure>
LOCK_CONFLICT <Database lock conflict>
CAR_UNAVAILABLE <Vehicle unavailable - hit RETURN to continue>
CHK_CANCEL_ERR <Error in checkout or cancel reservation>
HIST_WRITE_ERR <Error in writing to history file>
UPDATE_ERROR <Error updating file>

.SEVERITY FATAL
BILLERR <Bill computation error - canceling transaction>
DB_FATAL <Fatal database error - check audit log>
ICRECNOTFND <ID increment control record not found>

.END
```

Example 5–1 lists the messages available to tasks in the AVERTZ Vehicle Rental task group. For example, the example lists both CURECNOTFND and RCRECNOTFND under a .SEVERITY WARNING statement. When you compile the file, the Message Utility sets the low three bits of the longwords representing the message symbols to the binary value corresponding to WARNING level (000).

Regardless of what the error level was when the procedure trapped the error, if you return CURECNOTFND or RCRECNOTFND as status values of your procedure, the error level of the return status is WARNING. For information on returning status values, see Chapter 3.

Using Message Files with ACMS Tasks and Procedures

5.2 Compiling Message Files

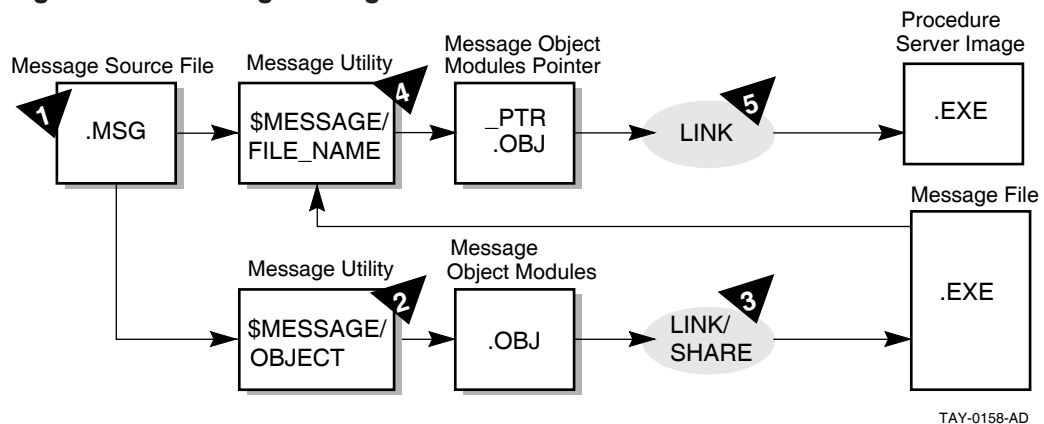
5.2 Compiling Message Files

To use message files with ACMS applications, create two output files from your source file:

- The image (.EXE) file containing the message texts and their corresponding symbols. This file is a shared image.
- Object module containing pointers to the .EXE message file.

Figure 5–1 shows the steps you take and the files you create when you compile message files. Following the figure are numbered instructions that correspond to the numbers in the figure.

Figure 5–1 Creating Message Files



1. Edit a message file (.MSG) with an editor.

Follow the instructions in Section 5.1 to create a source file containing the text of messages.

2. Create the object module (.OBJ) containing the message text from the message file by running the Message Utility with the /OBJECT qualifier. For example:

```
$ MESSAGE /OBJECT=VRMSG.OBJ VRMSG.MSG
```

The optional /OBJECT qualifier defines the name of the object module. If you omit the qualifier (and do not use /NOOBJECT), the utility assigns the file name of the input file to the object module with a file type of .OBJ. The default file type for the input file is .MSG.

3. Create an .EXE message file by using the LINK command with the /SHARE qualifier. For example:

```
$ LINK /SHARE=VRMSG.EXE VRMSG.OBJ
```

The /SHARE qualifier defines the name of the shareable image to be created by the Linker. If you omit the file name from the /SHARE qualifier, the Linker assigns the file name of the input file to the object module output file, giving the output file a file type of .EXE. The default file type for the input file is .OBJ.

Using Message Files with ACMS Tasks and Procedures

5.2 Compiling Message Files

4. Create an object module that points to the .EXE message file containing the message text by running the Message Utility again, using the /FILE_NAME qualifier with the MESSAGE command. For example:

```
$ MESSAGE /FILE_NAME=ACMS$EXAMPLES:VRMSG.EXE/OBJ=VRMSG_PTR VRMSG
```

When you use this command, the Message Utility creates an object module named VRMSG_PTR.OBJ. This object module contains the message symbols from the source file, but points to VRMSG.EXE for the text corresponding to those symbols. The default file name for the text message file is the same file name as the source file; the default file type is .EXE.

Always include the device and directory specification for the text message file. Otherwise, ACMS looks for the text message file in the same directory as the ACMS software. Make sure that the name you use in the /FILE_NAME qualifier is the same as the name of the file you created with the LINK command.

5. After creating the pointer object module, link it into the procedure server images for all servers that handle tasks using that message file. The procedure server image contains all the modules for the procedure server, including step, initialization, and termination procedures; the message object module; and the server control object module created by the BUILD command of the Application Definition Utility. For example:

```
$ LINK /DEBUG /EXE=VR_SERVER.EXE VR_SERVER.OBJ, -  
_$_$ ...,VRMSG_PTR
```

This example is an abbreviated version of the LINK command. See Chapter 6 for instructions and examples of full LINK commands.

Do not link the text message file into the server image. The .EXE file created with the MESSAGE command is separate from the server image, in the same way that a run-time library is separate from a program.

If you need to change the wording of a message, change the message source file; then use the MESSAGE and LINK commands to create a new text message file (.EXE). You do not need to relink the procedure server image. For example:

```
$ MESSAGE /OBJ=VRMSG.OBJ VRMSG.MSG  
$ LINK/SHARE=VRMSG.EXE VRMSG.OBJ
```

If you change only the message text, you do not need to create a new object module pointer file. However, if you add a new message, delete a message, change the order of messages in the file, or change a message symbol, you must create a new object module pointer file and relink the server image to include that new module (steps 4 and 5). Otherwise, the symbols in the message file and in the server image do not correspond to one another.

5.3 Displaying User-Defined Messages

After you define error messages in a message file, you can return message names from a server procedure and have the task calling the procedure trap for errors. Follow these steps for returning and displaying user-defined messages:

1. Define all symbols that you want a procedure to return as external to the program. In COBOL, use the VALUE IS EXTERNAL clause in the procedure. For example:

```
01 CURECNOTFND                                PIC S9(11) COMP  
                                           VALUE IS EXTERNAL VR_CURECNOTFND.
```

Using Message Files with ACMS Tasks and Procedures

5.3 Displaying User-Defined Messages

In the previous example, the message name is CURECNOTFND; the message symbol is VR_CURECNOTFND.

In BASIC, use the EXTERNAL CONSTANT statement to define the message symbol in the procedure. For example:

```
EXTERNAL LONG CONSTANT VR_CURECNOTFND
```

You can define return values either in the program or in a library file of values.

2. In the procedure, move the message name into the return-status workspace. For example:

```
SQL-NOT-FOUND.  
* If no customer record was found, return warning status.  
  IF CTRL_KEY = "CUSID" THEN  
    MOVE CURECNOTFND TO RET-STAT  
    . . .  
  END-IF.
```

When a procedure returns a value in a return status field, ACMS does the following:

- Stores the return status values in ACMS\$L_STATUS field of the ACMS\$PROCESSING_STATUS workspace.
- Sets the value of the ACMS\$T_SEVERITY_LEVEL field; here, the value is set to W (warning).
- Also sets the value of the ACMS\$T_STATUS_TYPE field; here, the value is set to B (bad).

Chapter 3 explains fields in the ACMS\$PROCESSING_STATUS workspace.

3. Have the task definition check the ACMS\$T_STATUS_TYPE field of the ACMS\$PROCESSING_STATUS workspace.

Include the GET MESSAGE clause in the task definition to direct ACMS to store the error message associated with the message symbol in the ACMS\$T_STATUS_MESSAGE workspace. For example:

```
ACTION IS  
  IF (ACMS$T_STATUS_TYPE = "B") THEN  
    GET MESSAGE INTO vr_control_wksp.messagepanel;  
    GOTO PREVIOUS EXCHANGE;  
  END IF;
```

According to the previous instructions, ACMS checks the ACMS\$T_STATUS_TYPE field. If it is B (bad), ACMS retrieves the error message. ACMS then goes to the previous exchange step in the task definition to display the error message.

Building Procedure Server Images

After writing procedures for ACMS tasks, you must compile and link those procedures. You compile procedures as you do any other program. However, you do not link and run ACMS procedures as you do an OpenVMS image, because ACMS procedures are not independent programs.

The first section of this chapter contains the steps necessary to build a procedure server image, including compiling and linking commands that you use to debug procedures later. The chapter also explains the run-time operation of server processes and describes the files that you need to create to debug an ACMS application. Finally, the chapter tells how to use a procedure object library.

6.1 Steps in Building a Procedure Server Image

Procedures that you write for ACMS tasks run under the control of ACMS. Each performs only part of the processing for a task; the task definition takes care of the rest of the processing. Before you can debug tasks and the procedures that run in those tasks, you need to link the object code of procedures together with the procedure server transfer module and the message object module. You link all of these into a procedure server image (.EXE).

A simplified list of the order of operations for building a procedure server image follows.

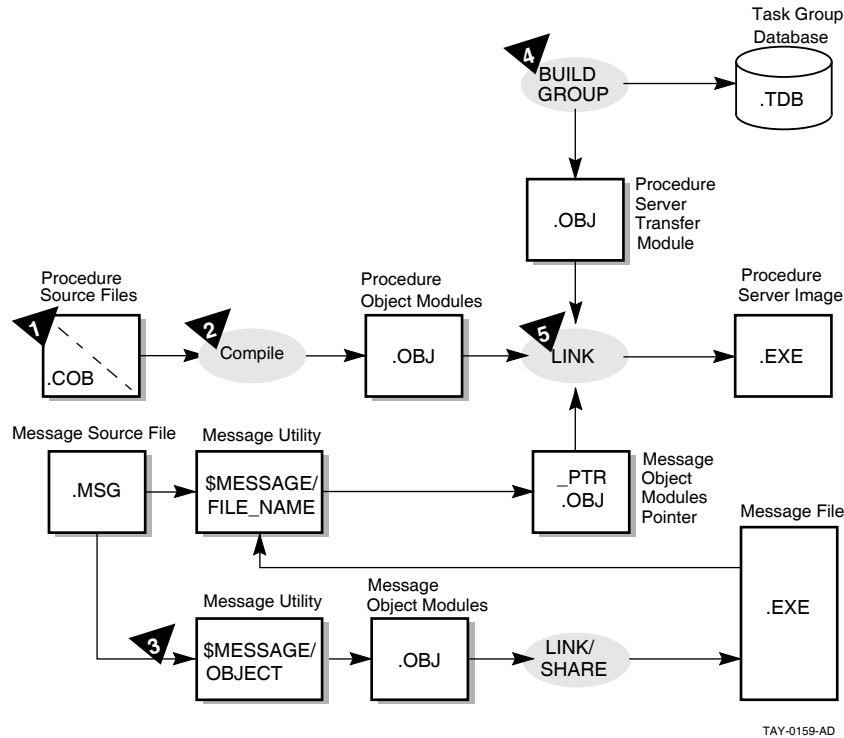
1. Write the source code of the procedure.
2. Compile the source code into a procedure object module.
3. Create any message files you want to use; compile and link them.
4. Build the task group, which creates both a task group database (.TDB) and a procedure server transfer module (.OBJ).
5. Link the procedure server transfer module, server procedure object modules, and message pointer object modules to create a procedure server image.

Figure 6–1 shows the steps that you need to take and the files that you use when you create a procedure server image. The steps are labeled 1 through 5 in the diagram. The example in the figure is a procedure that is a COBOL program.

Building Procedure Server Images

6.1 Steps in Building a Procedure Server Image

Figure 6–1 Creating a Procedure Server Image



The following sections explain the steps for creating a procedure server image. The sections correspond to the steps in Figure 6–1.

6.1.1 Writing the Source Code of the Procedure

Follow the instructions in Chapter 3 for writing step procedures. Follow the instructions in Chapter 2 for writing initialization, termination, and cancel procedures.

6.1.2 Compiling the Source Code into a Procedure Object Module

Compiling step, initialization, termination, and cancel procedures is similar to compiling any program. You use the same commands, create the same output files, and expect the same kinds of errors, such as missing periods in COBOL or missing ampersands in BASIC. For information on compiling source programs and correcting compile-time errors, see the reference manual and user’s guide for the language you are using.

If you plan to debug a high-level language procedure later, you might want to include the OpenVMS debug symbol table in the procedure when you compile it. For example, if you use the COBOL command to compile a procedure, use the /DEBUG qualifier in the command line:

```
$ COBOL/DEBUG VR_FIND_SI_PROC
```

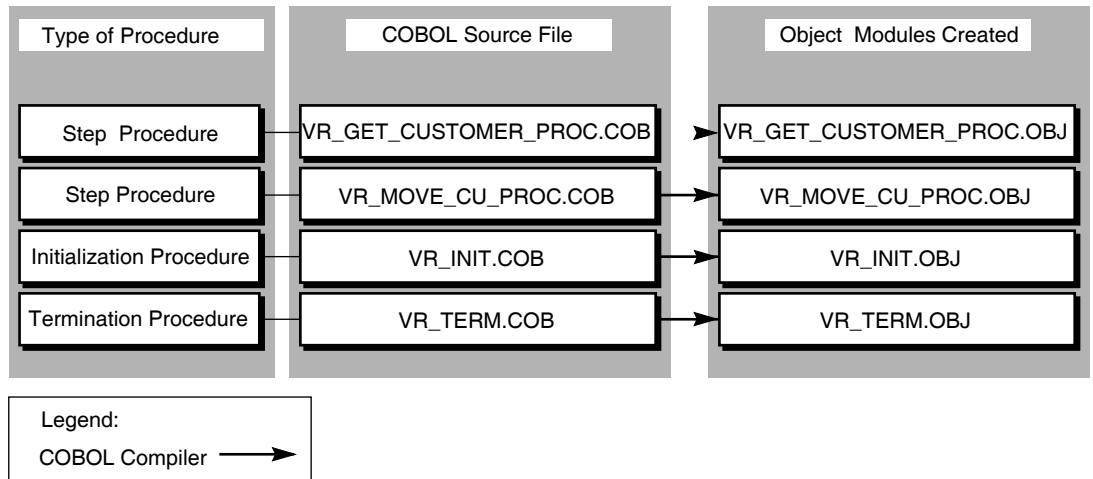
The file name of the procedure in the example is VR_FIND_SI_PROC.

Figure 6–2 shows the relationship between procedure source files and their file names when they are compiled to create object modules. (These are the file names that you use when you link object modules in step 5.) The example uses COBOL step, initialization, and termination procedures from the AVERTZ application.

Building Procedure Server Images

6.1 Steps in Building a Procedure Server Image

Figure 6–2 Compiling Source Code into Object Modules



TAY-0160-AD

6.1.3 Creating, Compiling, and Linking Message Files

Chapter 5 explains how to create, compile, and link message files. When you use the Message Utility a second time, you create a pointer object module, which is a file that you link into the procedure server image in step 5.

6.1.4 Building the Task Group

When you build a task group, you create both a task group database (.TDB) and a procedure server transfer module (.OBJ). For example:

```
ADU> BUILD GROUP VR_TASK_GROUP
```

HP ACMS for OpenVMS Writing Applications contains detailed instructions for building a task group.

To use the ACMS Task Debugger EXAMINE and DEPOSIT commands, include the /DEBUG qualifier with the BUILD GROUP command. For example:

```
ADU> BUILD GROUP VR_TASK_GROUP/DEBUG
```

Chapter 7 contains instructions for debugging tasks.

6.1.5 Linking the Object Code of Procedures

Link the object code of procedures with the procedure server transfer module into a procedure server image. Before linking, you can place files in a procedure object library. Doing so allows you to track insertion into the library and simplifies the job of creating a server image. Using procedure object libraries also reduces linking time. See Section 6.2 for more information about using an object library.

You use the DCL LINK command to combine the following object modules into an executable (.EXE) file:

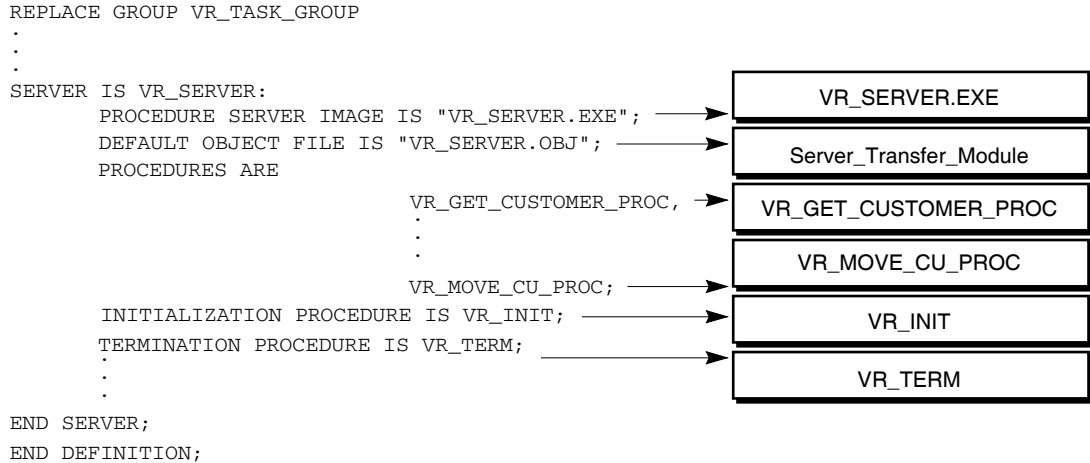
- Procedure server transfer module created for that server by the BUILD command of ADU
- All step procedures for all tasks in the task group that use that server
- Initialization, termination, and cancel procedures (if any) for the server
- Any procedures called as cancel actions by tasks using the server

Building Procedure Server Images

6.1 Steps in Building a Procedure Server Image

Figure 6–3 shows the relationship between the task group definition and object modules when they are linked to create a procedure server image.

Figure 6–3 Linking Object Modules into a Procedure Server Image



TAY-0161-AD

Follow these guidelines when using the LINK command:

- In the LINK command, include all of the procedures that are named in the server definition in the task group.

The LINK command creates a server image named from the first module named in the command line, and places it in your default directory. Use the optional /EXE qualifier to explicitly assign a name to the server image. For example:

```
$ LINK/DEBUG/EXE=VR_SERVER.EXE ...
```

In the example, the name assigned to the executable file is VR_SERVER.EXE. If you do not use the qualifier, the Linker uses the file name of the first object module in the LINK command as the name of the server image. The default file type is .EXE.

- Include the /DEBUG qualifier in the LINK command if you want to debug the procedures in the server.
- Use the same name for the server image in the LINK command as you do in the IMAGE clause of the task group definition. For example:

```

REPLACE GROUP VR_TASK_GROUP
.
.
SERVER IS
  PROCEDURE SERVER IMAGE IS "VR_SERVER.EXE";
  
```

In the LINK command, the first object module that you name is the procedure server transfer module; in the example, it is called VR_SERVER.OBJ. You can assign a name to the procedure server transfer module in the task group definition, in the SERVER IS statement. For example:

Building Procedure Server Images

6.1 Steps in Building a Procedure Server Image

```
SERVER IS
    PROCEDURE SERVER IMAGE IS "VR_SERVER.EXE";
    .
    .
    .
    DEFAULT OBJECT FILE IS "VR_SERVER.OBJ";
```

You might also prefer to include a logical with file names. For example:

```
PROCEDURE SERVER IMAGE IS "PRODUCTION:VR_SERVER.EXE";
```

- If you plan to debug a server image later, do not use the /NOTRACEBACK qualifier on the LINK command. You can still start the server with the Task Debugger if you link the server with /NOTRACEBACK. However, you cannot debug it because the OpenVMS Debugger cannot be invoked while a program linked without traceback information is running. Also, if you use the INTERRUPT command to access the OpenVMS Debugger in that server, the server stops.

Example 6–1 shows a LINK command example for a server that uses SQL.

Example 6–1 LINK Command for a Procedure that Uses SQL

```
$ LINK/DEBUG/EXE=VR_SERVER.EXE VR_SERVER.OBJ, -
_ $ ACMS$SAMPLES:VR_TERM, -
_ $ ACMS$SAMPLES:VR_GET_CUSTOMER_PROC, -
_ $ ACMS$SAMPLES:VR_MOVE_CU_PROC, -
_ $ ACMS$SAMPLES:VR_INIT, -
_ $ SYS$LIBRARY:SQL$USER/LIB
```

When linking a server image containing procedures called by tasks that use the WITH SQL RECOVERY phrase, you must reference the ACMS SQL library in SYS\$LIBRARY immediately after the transfer vector object module name. As the last item, link the SQL library file that is found in SYS\$LIBRARY. When you use the WITH SQL RECOVERY phrase in the task definition, if you do not reference the correct libraries *in the correct order*, you can receive unpredictable run-time errors.

Example 6–2 shows a complete LINK command for a server image containing procedures called by tasks that use the WITH SQL RECOVERY phrase.

Example 6–2 LINK Command for Servers Called by Tasks that Use the SQL RECOVERY Phrase

```
$ LINK/DEBUG/EXE=VR_SERVER.EXE VR_SERVER.OBJ, -
_ $ SYS$LIBRARY:ACMSSQL/LIB, -
_ $ ACMS$SAMPLES:VR_GET_CUSTOMER_PROC, -
_ $ ACMS$SAMPLES:VR_MOVE_CU_PROC, -
_ $ ACMS$SAMPLES:VR_INIT, -
_ $ SYS$LIBRARY:SQL$USER/LIB
```

The ACMSSQL library is *not* required if the SQL database transactions are started by the step procedures in the server, not in the task definition.

When linking procedure server code, if the task definition uses Rdb recovery, then include the following two statements in your link option file:

```
PSECT_ATTR=RDB$TRANSACTION_HANDLE,LCL,NOSHR
PSECT_ATTR=RDB$DBHANDLE,LCL,NOSHR
```

Building Procedure Server Images

6.1 Steps in Building a Procedure Server Image

Because of an Rdb restriction, the link is not upward compatible; therefore, you need to relink the server for each new version of Rdb.

6.2 Using an Object Library for Procedures

In many cases, it is more convenient to place all the object modules for your procedures in a procedure object library before linking the server image. A procedure object library allows you to track insertion into the library by using the following command:

```
$ LIBRARY/LIST/FULL library_name
```

Using a library also simplifies the job of creating a server image. Finally, using object libraries also reduces link time.

After compiling the procedures for a server and correcting the compilation errors, use the OpenVMS LIBRARY command to put the object modules in your procedure object library. If the library does not exist, create it. For example:

```
$ LIBRARY VR_PROC.OLB /CREATE
```

To place modules in the library, use the /INSERT qualifier in the LIBRARY command. For example:

```
$ LIBRARY/INSERT VR_PROC.OLB VR_FIND_SI_PROC.OBJ
```

The first name used in the LIBRARY command is the procedure object library; its default file type is .OLB. The second name is the file containing the object module to be placed in the library. In this case, the name of the file is VR_FIND_SI_PROC.OBJ in the default device and directory.

If you use an object library for your procedures, use the /LIBRARY qualifier to identify the object library when you link the server image. For example:

```
$ LINK/DEBUG VR_SERVER, VR_PROC/LIBRARY
```

In this example, VR_SERVER is the name of the procedure server transfer module (.OBJ) created by building the task group containing that server. The procedure object library is identified as VR_PROC.OLB. By using the /LIBRARY qualifier, you indicate that all modules referenced by VR_SERVER.OBJ are to be taken from the VR_PROC.OLB library and included in the server image.

For more information on using a procedure object library, see *OpenVMS Command Definition, Librarian, and Message Utilities Manual*.

Debugging Tasks and Procedures

After writing server procedures for tasks, you need to test procedures for errors. You compile procedures as you would any other program, but, because ACMS procedures are not independent programs, you do not link, run, and debug server procedures as you would an OpenVMS image.

Server procedures run under the control of ACMS and perform only part of the processing for a task. The task definition takes care of the rest of the processing. You need to debug tasks and the procedures that are called by tasks at the same time to be sure that tasks and procedures work together as they should.

This chapter discusses the following topics:

- Using debugging tools
- Preparing to use the ACMS Task Debugger
- Using the ACMS Task Debugger to step through the execution of individual tasks
- Using the OpenVMS Debugger to step through the execution of server procedures
- Returning to the ACMSDBG> prompt
- Debugging tasks that are called by user-written agent programs

7.1 Using Debugging Tools

You use several tools to debug ACMS tasks and procedures:

- **ACMS Task Debugger**
The ACMS Task Debugger provides an environment for testing tasks and server procedures without building an entire ACMS application. The Task Debugger lets you control a task while the task is running. You can set breakpoints at the beginning of the task, at the beginning of any step in the task, at the action part of any step, and at the end of any step. Once you reach a breakpoint in the task, you can examine and deposit values in workspaces and then resume the execution of the task.
- **OpenVMS Debugger**
The OpenVMS Debugger lets you control the procedures called by the task. You use the OpenVMS Debugger in the same way as you use it with any program. For example, you can use the OpenVMS Debugger to set a breakpoint in the procedure after the procedure reads a record; when you reach the breakpoint, you can examine and deposit data in variables and then resume execution of the procedure. You also use the OpenVMS Debugger to check whether your procedures perform properly or not and to debug HP DECforms escape routines.

Debugging Tasks and Procedures

7.1 Using Debugging Tools

- HP DECforms Trace Facility

In addition to ACMS and OpenVMS facilities for debugging tasks, you can also use the HP DECforms trace facility. This facility logs processing information at run time to help you debug both your applications and your form. The trace facility uses the logical names FORMS\$TRACE and FORMS\$TRACE_FILE. See *DECforms Guide to Commands and Utilities* for more information about the HP DECforms trace facility.

Chapter 10 contains reference information on all of the ACMS Task Debugger commands. In general, you use Task Debugger commands to do the following:

- Start, stop, and assign logical names for the servers you are going to use
- Start, stop, and step through a task
- Display and change workspace contents while a task is running

When you select a task to debug, the ACMS Task Debugger starts the task. When the task reaches a breakpoint, you can enter commands to continue running the task, display the contents of workspaces, change the contents of workspaces, or display information about ACMS Task Debugger commands.

By examining and changing workspace contents, variable assignments, and other values, you can find most of the errors in the definitions or procedures for your tasks. You can look for inconsistencies between workspaces in form definitions, task definitions, and procedures. You can also check that logical names in procedures or definitions point to the correct files and that files have correct protection codes. Finally, you can check for error conditions that are not handled by the server procedures or the task definition.

7.2 Preparing to Use the ACMS Task Debugger

Before you can debug ACMS tasks, you need to:

- Prepare definitions and build a task group.
- Prepare procedures by compiling and linking them.
- Check to make sure that all the files you need are complete.
- Define logical names and prepare DECforms escape routines for debugging, if necessary.

Before you debug, you need to check a number of quotas to make sure that the ACMS Task Debugger can be run. If you plan to debug using two terminals, you also need to complete additional preparatory steps. Finally, to debug a task called from a user-written agent program, you must complete additional preparatory steps, which are explained in Section 7.6.

7.2.1 Preparing Definitions

Before debugging a task, be sure to complete the following steps:

1. Use the Common Dictionary Operator (CDO) Utility to define all fields, records, and workspaces used by the task.
2. Use HP DECforms to define all forms for the task.
3. Use the Application Definition Utility (ADU) to define the task and the task group.

Debugging Tasks and Procedures

7.2 Preparing to Use the ACMS Task Debugger

Because tasks involve both code and definitions, it is important to understand all parts of the task to debug it. The primary definition you must understand is the task definition. For a detailed explanation of task definitions, see *HP ACMS for OpenVMS Writing Applications*.

4. Use the ADU BUILD command to create a task group database from the task group definition. To use the ACMS Task Debugger EXAMINE and DEPOSIT commands, include the /DEBUG qualifier with the BUILD GROUP command. For example:

```
ADU> BUILD GROUP/DEBUG VR_TASK_GROUP
```

You can use the EXAMINE and DEPOSIT commands to examine or deposit data into the workspaces when you debug the task.

7.2.2 Preparing Procedures

It is easier to debug procedures if you compile and link them with the /DEBUG qualifier. Using the /DEBUG qualifier makes more information available to the OpenVMS Debugger. For example:

```
$ COBOL/DEBUG VR_FIND_SI_PROC
$ LINK/DEBUG/EXE=VR_SERVER.EXE VR_SERVER.OBJ, -
.
.
.
```

After you compile and link the procedures called by a task, you can run the task in the ACMS Task Debugger. The task you run is a real one; when the task is in daily use, ACMS runs the same definitions and code as the ones you test.

To protect business data, you can set up test files to run against the task. For example, if your procedures use logical names to identify files, create a set of data files in another directory, and temporarily redefine the logical names to point to that directory. See Section 7.2.3 for an explanation of the two methods of defining logical names.

While debugging, keep in mind the relationship between a server procedure, a task, and a task group:

- If you make a change in a server procedure, you must compile the server procedure and relink the server image to include the new object module.
- If you revise a task or task group definition, you must rebuild the task group using ADU.

One of the difficult parts of debugging a task is making sure that all the files you need are complete. Chapter 6 explains the steps you take to build a procedure server image. After completing those steps, check that all the files are ready. Figure 7–1 shows the files needed for debugging and depicts how you produce those files from CDD definitions, source programs, and message source files.

Debugging Tasks and Procedures

7.2 Preparing to Use the ACMS Task Debugger

Figure 7-1 Files Needed for Debugging

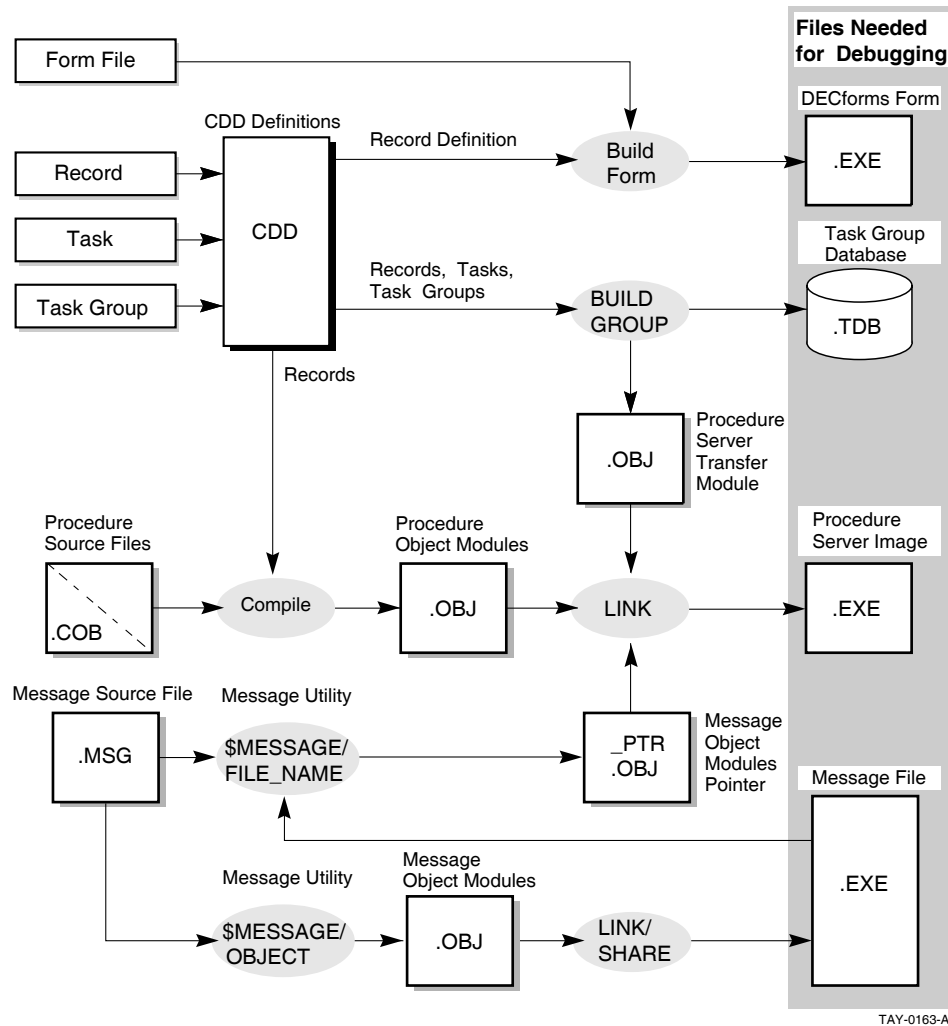


Table 7-1 explains how to produce the files needed to run a task with the ACMS Task Debugger.

Table 7-1 Files Needed for Debugging

Files	Description
DECforms form files	Created using DECforms.
Data files or database files for the task group	Created and populated using either RMS, DBMS, or Rdb.
Message files for the task group	Created with the OpenVMS Message Utility. You need these files if your tasks use the GET MESSAGE clause.
Procedure server images	Created with the DCL LINK command. These files contain executable images of the procedure server transfer module, message file module, and all procedures for the task group.
Task group database (.TDB)	Created with the BUILD GROUP command of the ACMS Application Definition Utility (ADU). This file contains information used by ACMS to run tasks.

Debugging Tasks and Procedures

7.2 Preparing to Use the ACMS Task Debugger

7.2.3 Defining Logical Names

Most task groups and server procedures use OpenVMS logical names. If this is the case in your ACMS application, you must define these logical names before you start a debugging session. For example, the AVERTZ task group definition specifies that it uses the message file AVERTZ_DEFAULT:VRMSG.EXE. If the logical name AVERTZ_DEFAULT is not defined when you attempt to start the debugging session, the Task Debugger cannot find the message file, and therefore cannot start.

Some of the logical names used by your task group and server procedures might have already been defined. In the previous example, the AVERTZ application might be installed on your system in such a way that the necessary logical names are available to everyone on the system. In this case, you do not need to define any logical names in order to run the application. However, if the logical names are not defined, or if you want to test your own private copy of a file, you must define the logical names that point to that file. Also, be sure to define logical names in a way that does not affect other users on the system.

To define logical names, you need some information about the processes that are used in a debugging session. When you use the ACMS/DEBUG task-group command, you run the ACMS Task Debugger image in your process. For this reason, any logical names that are available to your process are also available to the Task Debugger.

However, when the Task Debugger starts a server, it creates the server as a subprocess of your process. When this server process is created, it has access to the same logical name tables as the Task Debugger process, with the exception of the Task Debugger's process logical name table. Instead of using the Task Debugger process logical name table, each server is created with its own process logical name table.

The logical names that must be available to the Task Debugger process include the logical names pointing to:

- Form files
- Message files
- Request library files

The logical names that the server process must have access to are:

- Logical names pointing to the procedure server image
- Logical names used in server procedures

With this information, you can decide which logical name tables to use in different situations. Generally, if you want the Task Debugger and the server process to use the same definition of a logical name, define the logical in a logical name table that is shared by the Task Debugger process and the server subprocess. You can do this in one of two ways:

- To do this in a way that does not affect anyone else on the system, define the logical as a job logical name. For example:

```
$ DEFINE/JOB AVERTZ_DEFAULT DSK$: [AVERTZ.PUBLIC]
```

Debugging Tasks and Procedures

7.2 Preparing to Use the ACMS Task Debugger

- Alternatively, define logical names in a user-defined logical name table. If the application uses a user-defined logical name table at run time, there is one less difference between the debugging environment and the run-time environment, which makes the transition between the two easier. Follow these steps:
 1. Create the logical name table.

If a logical name table does not already exist, create it. To make the table shareable, specify the system directory as the parent table. For example:

```
$ CREATE/NAME_TABLE -  
_$_ /PARENT_TABLE=LNM$SYSTEM_DIRECTORY my_name_table
```

This command requires the SYSPRV privilege. If you do not have this privilege, ask your system manager to create the table for you.
 2. Define the logical name in the logical name table.

If the logical name is not defined in the table, define it:

```
$ DEFINE/TABLE=my_name_table AVERTZ_DEFAULT DSK$:[AVERTZ.PUBLIC]
```
 3. Include the logical name table in the list that the system searches.

If the logical name table is not included in the system default logical name table list, include it in the logical name table list for your process. For example:

```
$ DEFINE/TABLE=LNM$PROCESS_DIRECTORY LNM$FILE_DEV -  
_$_ LNM$PROCESS, LNM$JOB, my_name_table, LNM$GROUP, LNM$SYSTEM
```

List the logical name tables in the same order as the name tables will be defined in the application definition.

See *OpenVMS User's Manual* for more information on logical names and logical name tables.

In some situations, you might not want to share logical names between the Task Debugger and the server:

- If you want the logical name to be used only by the Task Debugger process, define the logical name as a process logical name.
- If you want the logical name to be used only by the server process, define the logical name as a process logical name for the server subprocess. The only way to do this is to use the Task Debugger ASSIGN command. See Section 7.3.2 for details.

7.2.4 Preparing to Debug DECforms Escape Routines

If exchange steps in your tasks call HP DECforms, and HP DECforms, in turn, calls procedural escapes, you need to debug escape routines. Because HP DECforms escape routines are written in a VAX programming language, you use the OpenVMS Debugger to debug escape routines. To have more information available to you while you are debugging, compile escape routines using the /DEBUG qualifier.

You must complete several preparatory steps before you debug HP DECforms escape routines. First, you must tell HP DECforms that you want to debug escape routines by defining the logical name FORMS\$DEBUG_ESCAPE_ROUTINES to be true. This definition tells HP DECforms to activate the OpenVMS Debugger when it activates the escape routine image for the first time. Because HP DECforms invokes the OpenVMS Debugger only one time for each image, you

Debugging Tasks and Procedures

7.2 Preparing to Use the ACMS Task Debugger

must set breakpoints in your escape routines in order to debug them. See the HP DECforms documentation for more details on the FORMS\$DEBUG_ESCAPE_ROUTINES logical name.

The next step depends on whether the escape routine you are debugging is linked into a separate image or linked into the forms image.

Note

Debugging escape routines is much easier if you link the routines into a separate image.

- For an escape routine linked into a separate image:
Specify the location of the escape routine image. Do this by defining FORMS\$IMAGE to point to the shared image that contains the escape routine. If you have more than one escape routine image, you can make FORMS\$IMAGE a search list. Refer to the HP DECforms documentation for more information about defining this logical name.

ACMS uses the ACMS\$ESC_RTN_<node>_<application> logical name at run time to avoid naming conflicts that can occur with multiple applications. However, the ACMS Task Debugger does not recognize this logical name because the task group that the Task Debugger uses does not have an application name. Instead, use the FORMS\$IMAGE logical name.

- For escape routines linked directly into the form image:
You must modify your escape routine code to debug it. The escape routine must initiate the debugging process by invoking the OpenVMS Debugger. Do this by signaling SS\$_DEBUG from the escape routine. For example:

```
01 debug_symbol      pic S9(9) COMP VALUE EXTERNAL SS$_DEBUG
.
.
.
CALL 'LIB$SIGNAL' USING BY VALUE debug_symbol.
```

Remember to remove the signal of SS\$_DEBUG when you finish debugging. If you do not define FORMS\$DEBUG_ESCAPE_ROUTINES to be true, and you do not remove the code that signals SS\$_DEBUG, your escape routine will hang.

7.2.5 Setting Up for Debugging with Two Terminals

When debugging ACMS tasks, you control two input/output (I/O) streams:

- Task I/O stream
The task I/O stream handles the terminal I/O defined for the task. For example, in an inquiry task that reviews car rental reservations, the task I/O stream handles the form that displays information about the reservations.
- Debugger I/O stream
The debugger I/O stream handles the debugger commands and the information the debugger displays in response to those commands. For example, the debugger I/O stream handles the Task Debugger prompt ACMSDBG>.

Debugging Tasks and Procedures

7.2 Preparing to Use the ACMS Task Debugger

By default, both the task I/O stream and the debugger I/O are attached to the same terminal. This is necessary if you have only one terminal to use. However, if two terminals are available to you, you might want to use a separate terminal for each I/O stream. This is useful when you want to see the task output without having debugger prompts overwrite it.

The OpenVMS operating system supplies the following logical names that connect a terminal with the I/O streams:

- `SYS$INPUT` — Where ACMS looks for task input
- `SYS$OUTPUT` — Where ACMS sends task output
- `DBG$INPUT` — Where the debugger looks for input
- `DBG$OUTPUT` — Where the debugger sends output

OpenVMS defines the logical names `SYS$INPUT` and `SYS$OUTPUT` to be the name of your terminal when you log in (TTA1, for example). The logical names `DBG$INPUT` and `DBG$OUTPUT` default to `SYS$INPUT` and `SYS$OUTPUT`. If you do not reassign `DBG$INPUT` and `DBG$OUTPUT`, both I/O streams are attached to your terminal.

To use a second terminal for the debug stream, assign `DBG$INPUT` and `DBG$OUTPUT` to the second terminal. For example:

```
$ DEFINE DBG$INPUT TTA6:  
$ DEFINE DBG$OUTPUT TTA6:
```

In this example, the debug streams are assigned to terminal TTA6.

After setting up your I/O streams for two terminals, follow the instructions in the next section. The breakpoints you set, the commands you use, and the problems to look for are the same as when you debug from a single terminal. The only difference is that the terminal I/O and the debugger I/O display at different terminals. Before starting the debugger, make sure that no one is logged in at the other terminal. If anyone is logged in at the second terminal, the debugger cannot allocate and use that terminal.

7.2.6 Verifying that the ACMS Task Debugger Can Be Run

Before starting the ACMS Task Debugger, you need to check that quotas and system parameters are set correctly:

- Quotas
For each of these, use the DCL command `SHOW PROCESS/QUOTA`. Make sure that:
 - The buffered I/O byte count quota (`BYTLM`) is at least 50,000.
 - The enqueue quota (`ENQLM`) is at least 2,000.
 - The open file quota (`FILLM`) is at least 96.
 - The subprocess quota (`PRCLM`) is adequate.
The workspace linker process (that is, the process activated if you use the `/WORKSPACE` qualifier) and server processes are implemented as subprocesses. Make sure that your `PRCLM` is large enough to handle this.
 - The AST limit (`ASTLM`) is at least 24.
 - The timer queue entry limit (`TQELM`) is at least 10.

Debugging Tasks and Procedures

7.2 Preparing to Use the ACMS Task Debugger

See your system manager if you need higher quotas.

- System parameters

Check with your system manager to make sure that the following system parameters have values equal to or greater than the ones indicated here:

```
PQL_DASTLM = 24
PQL_DDIOLM = 20
PQL_DBIOLM = 18
PQL_MDIOLM = 20
```

7.3 Using the ACMS Task Debugger

When you have completed all of the preparations for debugging ACMS tasks and procedures, you are ready to debug a task. After you start the ACMS Task Debugger, assign any additional logical names that you need. Then you can start the servers needed by a task.

Before running a task in the Task Debugger, however, you usually set breakpoints so that you can check that information that should be in a workspace is actually there. You might also want to set breakpoints in procedures to debug them using the OpenVMS Debugger.

The following sections explain how to start the ACMS Task Debugger; use the Task Debugger ASSIGN command; start, stop, and interrupt servers; set and remove breakpoints in tasks; check values in workspaces; and debug transaction timeout codes. Debugging procedures with the OpenVMS Debugger is described in Section 7.4.

You can use two control characters when running the Task Debugger. Table 7–2 lists these control characters and explains how to use them.

Table 7–2 Control Characters for the ACMS Task Debugger

Control Character	Function
<code>Ctrl/G</code>	Interrupts the current task (if any) and the current Task Debugger or OpenVMS Debugger command, and returns to the Task Debugger prompt (ACMSDBG>). Typing GO continues a task interrupted with <code>Ctrl/G</code> .
<code>Ctrl/Z</code>	Equivalent to the EXIT command. If you press <code>Ctrl/Z</code> when you are at the Task Debugger prompt, the Task Debugger stops all servers, cleans up all the subprocesses it has allocated, and returns to the DCL command-level prompt (\$). If you press <code>Ctrl/Z</code> at an OpenVMS Debugger prompt, the debugger stops the server process you are running in and returns to the Task Debugger prompt. Any active tasks using that server are canceled.

7.3.1 Starting the Task Debugger

To start the ACMS Task Debugger, you use the ACMS/DEBUG command. For example:

```
$ ACMS/DEBUG VR_TASK_GROUP/WORKSPACE
```

Debugging Tasks and Procedures

7.3 Using the ACMS Task Debugger

In the command, include the name of the task group database file (.TDB) containing the task or tasks you want to debug; in the example, the task group is VR_TASK_GROUP. You cannot debug more than one task group at a time. If the file is not in your default device and directory, include the device and directory specifications. The default file type is .TDB.

Use the /WORKSPACE qualifier with the ACMS/DEBUG command to examine and deposit data in workspaces using the Task Debugger. If you do not include the /WORKSPACE qualifier, you can still look at workspaces when a task is running in a server. However, you must use /WORKSPACE if you want to look at workspaces during exchange steps, during the action part of processing steps, or at the beginning or end of the task.

Once the Task Debugger starts, it displays the ACMSDBG> prompt. You can then enter any of the Task Debugger commands. Reference information on all the ACMS Task Debugger commands is in Chapter 10.

7.3.2 Using the Task Debugger ASSIGN Command

ACMS defines process logical names for a server based on logical names that you define using the Task Debugger ASSIGN command. A logical name that you assign in the Task Debugger takes effect only when the server starts. Therefore, if you assign a logical name after a server starts, that name does not take effect.

The following example assigns a logical name for the VR_UPDATE_SERVER to point to a different directory from the one defined with the DCL DEFINE command:

```
ACMSDBG> ASSIGN /SERVER=VR_UPDATE_SERVER [AVERTZ.UNAME] AVERTZ_DEFAULT
ACMSDBG> START VR_UPDATE_SERVER
```

Note that, unlike the DCL DEFINE command, the directory name precedes the logical name in the Task Debugger ASSIGN command. (The ACMS Task Debugger ASSIGN command is patterned after the DCL ASSIGN command.)

The ASSIGN command defines the logical name AVERTZ_DEFAULT to point to the [AVERTZ.UNAME] directory rather than to the [AVERTZ.PUBLIC] directory. The /SERVER qualifier names the server that can use this logical name: the VR_UPDATE_SERVER.

If you are assigning many logical names for a server, use the SET SERVER command to indicate the server to which the ASSIGN commands apply. If you use SET SERVER before the ASSIGN command, you do not need the /SERVER qualifier. For example:

```
ACMSDBG> SET SERVER VR_UPDATE_SERVER
ACMSDBG> ASSIGN [AVERTZ.UNAME] AVERTZ_DEFAULT
```

The name included in the SET SERVER command or the /SERVER qualifier must be the same name used for the server in the task group definition.

7.3.3 Starting, Stopping, and Interrupting Servers

After starting the ACMS Task Debugger, the next step is to start the servers that handle the tasks you want to debug. The following sections explain how to start, stop, and interrupt servers.

Debugging Tasks and Procedures

7.3 Using the ACMS Task Debugger

7.3.3.1 Starting Servers

You can start servers in two ways from the Task Debugger:

- The ACMS Task Debugger automatically starts a server if it is needed to run a procedure called by the task.
- Alternatively, you can start servers for tasks yourself. You might, for example, want to debug an initialization procedure without starting a task.

You might need multiple instances of a server when you use distributed transactions and the task-call-task feature. When you use distributed transactions, a called task that participates in a distributed transaction started by a parent task might need to use the same server as the parent task. Different server processes are started and allocated to the parent and to the called tasks.

The number of active servers allowed for a debugging session is limited. A user is allowed up to four times the number of servers defined in the task group that is being debugged. You can, however, allocate the total number of servers allowed to server instances in any manner you like. For example, if a task group has two servers, you can start eight server instances. You can, if you like, have eight instances of one server and none of the other.

Use the `START server-name` command to start one or more instances of one or more servers. The following examples show three alternative ways to use the `START` command:

- If both a parent and a called task use the same server (in this case, `VR_SERVER`), issue a command like the following one to start two instances of that server:

```
ACMSDBG> START VR_SERVER, VR_SERVER
```

- If you will use only one of the servers defined for the task group, include that server name in the `START` command:

```
ACMSDBG> START VR_SERVER
```

- If the tasks you are debugging use all the servers in a task group or if only one server is defined for a group, use the `/ALL` qualifier in the `START` command to start any servers that have not been started:

```
ACMSDBG> START /ALL
```

You cannot use both the `/ALL` qualifier and a server name in the same `START` command.

When you start a server with the ACMS Task Debugger, ACMS creates the server process. If the server is a procedure server, the OpenVMS Debugger prompt is displayed. For example:

```
ACMSDBG> START VR_SERVER
Terminal is in SERVER VR_SERVER

                VAX DEBUG Version V5.4-019
%DEBUG-I-INITIAL - language is COBOL, module set to 'VR_SERVER'
DBG>
```

The first line after the `START` server command indicates that the ACMS Task Debugger has transferred control of the debugging session to the server process. The OpenVMS Debugger software displays an identifying line showing the version number. On a separate line, the OpenVMS Debugger names the language it is using and the module where the program is beginning. The program begins in the server transfer module, which is produced by building the task group.

Debugging Tasks and Procedures

7.3 Using the ACMS Task Debugger

Therefore, the language displayed comes from the server transfer module rather than from your server procedure. The default language for the server transfer module is COBOL. Following these messages, the OpenVMS Debugger displays the DBG> prompt.

At this point, you can set breakpoints in the server using the OpenVMS Debugger. You might, for example, want to set a break at the server's initialization procedure. Instructions for using the OpenVMS Debugger are in Section 7.4.

To complete the operation of starting the server and return to the ACMS Task Debugger, enter the GO command:

```
DBG> GO
Server VR_SERVER has been started
ACMSDBG>
```

7.3.3.2 Stopping Servers

Once a server starts, it remains available for other tasks until one of the following occurs:

- You use the Task Debugger STOP command.
- You use the OpenVMS Debugger EXIT command.
- ACMS runs down a server due to a task cancellation.

One way to stop a server is to use the STOP command. For example:

```
ACMSDBG> STOP VR_SERVER
Terminal is in SERVER VR_SERVER
Server VR_SERVER stopped
ACMSDBG>
```

If there are multiple instances of a server started when you use the STOP command, only one instance is stopped. For example:

```
ACMSDBG> STOP VR_SERVER
Stopping only one instance of server VR_SERVER
Terminal is in SERVER VR_SERVER
Server VR_SERVER stopped
ACMSDBG>
```

You can stop all instances of all servers with the STOP/ALL command. For example:

```
ACMSDBG> STOP/ALL
Terminal is in SERVER VR_SERVER
Server VR_SERVER stopped
Terminal is in SERVER VR_SERVER
Server VR_SERVER stopped
Terminal is in SERVER DCL_SERVER
Server DCL_SERVER stopped
ACMSDBG>
```

If you use the STOP command, the termination procedure is run for the server. If you want to debug the termination procedure, you must set a breakpoint at the termination procedure. If you forget to do this when the server is first started or while you are debugging step procedures, you can use the INTERRUPT command to bring the OpenVMS Debugger up in the server.

You cannot issue a STOP command while a task is active. If you want to stop the server while a task is active, you can interrupt the server and use the EXIT command at the OpenVMS Debugger prompt. Exiting the server while an active task has context in the server causes the task to be canceled. For example:

Debugging Tasks and Procedures

7.3 Using the ACMS Task Debugger

```
ACMSDBG> INTERRUPT VR_SERVER
Task is in SERVER VR_SERVER
DBG> EXIT
Task is in the task debugger
%ACMSDBG-I-SPDIED, Server VR_SERVER stopped unexpectedly
Processing non-recoverable exception from step $STEP_1 in task VR_RESERVE_TASK
Exception code text:
%ACMS-E-TASK_SP_DIED, Cancel results from the server process dying
Exception code value: 16632498 (decimal), %X00FDCAB2 (hex)
Task was canceled.
ACMSDBG>
```

The previous example shows that the task is canceled due to a nonrecoverable error. The nonrecoverable error is that a server that the task was using stopped unexpectedly. The message also gives the decimal and hexadecimal values of the exception code.

Another reason a server stops is that a task is canceled while the task has context in the server, and the server is to run down as a result of a cancel. In this situation, the termination procedure is called only if you use the **ALWAYS EXECUTE TERMINATION PROCEDURE** clause in your server definition. See Chapter 2 for details on how to determine if a server is run down on a cancel.

7.3.3.3 Interrupting Servers

You can use the **INTERRUPT** command to interrupt a server and transfer control to the OpenVMS Debugger. After you enter this command, the OpenVMS Debugger displays the **DBG>** prompt. You can then set breakpoints, examine addresses, or change values in a server that has already been started. Beginning with ACMS Version 3.2, you can specify an instance of a server that is allocated to a specific task. Reference information about this command is in Chapter 10.

If you do not specify a task with the **INTERRUPT** command, ACMS interrupts the named server if the current task instance has context in that server. If the task is not retaining context in the named server, or if no task is active, then ACMS interrupts the first free server process belonging to the named server. This process is allocated to the first task or first called task that calls a procedure in the named server.

In a distributed transaction, both parent and called tasks might use the same server. As explained in Section 7.3.3.1, you can start separate instances of a server. To interrupt a specific server process when both tasks have started, specify a task name after the **INTERRUPT** command. Following is an example of setting breakpoints for a procedure after a Task Debugger **INTERRUPT** command.

```
ACMSDBG> INTERRUPT VR_SERVER/ TASK=VR_RESERVE_CAR_TASK
Terminal is in server VR_SERVER
DBG> SET BREAK VR_FIND_SI_PROC\MAIN\MAIN-SECTION
DBG> GO
[CTRL/G]
ACMSDBG>
```

When you specify a task name, ACMS interrupts the process currently owned by that task. In the previous example, ACMS interrupts the **VR_SERVER** owned by the called task, **VR_RESERVE_CAR_TASK**. If the named task (in this case, **VR_RESERVE_CAR_TASK**) is not currently retaining context in the named server (in this case, **VR_SERVER**), then the command returns an error. The example also illustrates using `[Ctrl/G]` to return to the ACMS Task Debugger prompt, **ACMSDBG>**.

Debugging Tasks and Procedures

7.3 Using the ACMS Task Debugger

If you are debugging a recursive task, supplying a task name does not have any effect; ACMS ignores the /TASK qualifier and follows the rules for interrupting a server when no task name is supplied.

Note

If you use the INTERRUPT command, do not link the server image with /NOTRACEBACK. If the server image was linked with /NOTRACEBACK, and you try to access the server process with an INTERRUPT command, the server process returns a fatal error and exits. The debugger returns the Task Debugger prompt, ACMSDBG>. You must then use the START command to restart the server.

You cannot use the INTERRUPT command to interrupt servers that are in the process of starting or stopping. If you do, ACMS displays the following error message:

```
%ACMSDBG-E-SRVNOTUP, Server ... is not started
```

If there is a bug in your initialization procedure that causes it not to return, you cannot stop the server. To debug the initialization procedure, you must use `[Ctrl/G]` to display the ACMSDBG> prompt, and then exit from the Task Debugger. When you start the Task Debugger again and attempt to start the server, set a breakpoint at the initialization procedure so that you can debug it. Do the same for termination procedures.

7.3.4 Setting and Removing Breakpoints in a Task

After you start the servers needed by a task for debugging, you are ready to start the task. However, you might want to set breakpoints before selecting the task.

A **breakpoint** is a selected place where the debugger stops a task. For example, the first time through a task, you might want to stop the task at the beginning of the action part of each exchange step. You can then check that the information that should be in a workspace is actually there.

You use the SET BREAK command to set breakpoints in a task. For example:

```
ACMSDBG> SET BREAK VR_RESERVE_TASK
```

In this example, a breakpoint is set in the VR_RESERVE_TASK.

After you have used ACMS Task Debugger commands to examine and deposit data in workspaces, set breakpoints, and so on, enter GO to continue processing from that breakpoint in the task. Otherwise, the step or task cannot complete, and you cannot select another task.

The following sections explain how to:

- Set breakpoints in a task
- Debug a task called by another task
- Remove breakpoints from tasks

If there are breakpoints that you often use, you can create a command file containing SET BREAK commands. Then use the at-sign (@) command to run the command (.COM) file. For example:

```
ACMSDBG> @RESERVE_CAR_DBG.COM
```

Setting up a command file of common commands can make a debugging session much easier.

7.3.4.1 Setting Location and Event Breakpoints

With the ACMS Task Debugger, you can use a breakpoint to cause the Task Debugger to break either at a particular location in a task or when a particular event occurs:

- Location breakpoints

Use the following format to define a location breakpoint:

task-name\step-name\location

In the format above:

- Task-name is required.
- Step-name is optional.
The default is the root step of the task.
- Location is optional.

The default is the beginning of the step.

The step-name can be the one you define in the task definition. If you do not define a label for a step, ACMS assigns one. The label that ACMS assigns always has the format \$STEP_n, where n is the number of the step. For example:

```
$STEP_1
```

Step numbering continues sequentially from step to step rather than just for steps that do not have labels. A label supplied in a task definition replaces the ACMS label. ACMS assigns the name \$TASK to the block step of a multiple-step task and to the only step in a single-step task.

Note

To see a listing of step label names, use the ADU DUMP command to obtain a dump of the task group database. Example 7–2 contains part of a dump file.

You can use four symbols for location breakpoints: \$BEGIN, \$ACTION, \$HANDLER, and \$END. Table 7–3 lists location symbols and explains the effect of using each of them.

Table 7–3 Location Breakpoint Symbols

Symbol	Explanation
\$BEGIN	Breakpoint occurs at the start of the step.
\$ACTION	Breakpoint occurs at the start of the action of the step. At this breakpoint, none of the actions for the step have been performed.
\$HANDLER	Breakpoint occurs at the start of the exception handler action for the step. At this breakpoint, none of the exception handler actions for the step have been performed. The exception reason, however, has been moved to the ACMS\$PROCESSING_STATUS workspace.
\$END	Breakpoint occurs at the end of the step. At this breakpoint, the action clauses (if any) have been performed.

Debugging Tasks and Procedures

7.3 Using the ACMS Task Debugger

- Event breakpoints

Use the following format to define an event breakpoint:

```
task-name\event
```

In the format above:

- Task-name is required.
- Event is required.

You can use two symbols for event breakpoints: \$EXCEPTION and \$CANCEL. Table 7–4 lists event symbols and explains the effect of using each of them.

Table 7–4 Event Breakpoint Symbols

Symbol	Explanation
\$EXCEPTION	Breakpoint occurs as soon as an exception is raised in the task. At this breakpoint, the exception reason has not been moved to the ACMS\$L_STATUS field in the workspace. ACMS displays information about the exception (type, reason code, and so on).
\$CANCEL	Breakpoint occurs just before ACMS cancels the task. At this time, ACMS has called server cancel procedures but has not yet performed a task cancel action, if supplied.

At the \$EXCEPTION breakpoint, ACMS has not yet updated the ACMS\$PROCESSING_STATUS workspace with information about the exception. This allows you to examine the contents of the ACMS\$PROCESSING_STATUS workspace at the time the exception occurred. Once you reach the \$HANDLER breakpoint, ACMS has filled in the ACMS\$PROCESSING_STATUS workspace with information about the exception. This enables you to examine the workspace before you execute the exception handler action.

Server cancel procedures are called after a task stops at the \$EXCEPTION breakpoint and before a task stops at the \$CANCEL breakpoint. Therefore, you must set a break at the \$EXCEPTION breakpoint if you want to interrupt a server process in order to set a breakpoint in a server cancel procedure. Alternatively, you can use the OpenVMS Debugger to set a breakpoint in a server cancel procedure when you start the server process. Section 7.4 contains instructions for using the OpenVMS Debugger.

The breakpoints you set depend on the task you are debugging. Breakpoints are often useful at the beginning of a task, at the action part of each step, and at the block action for a task. Setting breakpoints at these places helps you make sure that the work part of each step has put the right values into the workspaces it used.

In setting breakpoints, be sure to include backslashes (\) to separate task name, step label, and symbol. Use the SHOW BREAK command to check the breakpoints set.

Example 7–1 contains part of a task definition that is annotated to show the use of breakpoint symbols.

Debugging Tasks and Procedures

7.3 Using the ACMS Task Debugger

Example 7-1 Task Definition with Breakpoint Symbols

```

REPLACE TASK sample_task
.
.
.
sample_task\$_BEGIN -----> BLOCK WITH DISTRIBUTED TRANSACTION
get_number:
EXCHANGE
.
.
.
-----
sample_task\$_EXCEPTION |
When exception occurs  |
-----
.
.
.
-----
sample_task\$_CANCEL   |
When cancellation occurs|
-----

get_data:
sample_task\get_data\$_BEGIN --> PROCESSING WORK IS
CALL sample_procedure
.
.
.
sample_task\get_data\$_ACTION ---> ACTION IS
SELECT FIRST TRUE OF
.
.
.
sample_task\get_data\$_END -----> END SELECT;

display_data;
EXCHANGE
.
.
.
END BLOCK;
sample_task\$_ACTION -----> ACTION IS
REPEAT STEP;
sample_task\$_HANDLER -----> EXCEPTION HANDLER ACTION
.
.
.
sample_task\$_END -----> END DEFINITION;

```

7.3.4.2 Using a Dump File

Using an ADU task-group dump file can simplify the job of debugging ACMS tasks because a dump file of a task group lists, in one place, all of the following:

- Names of servers
- Tasks
- Workspaces
- Steps (in tasks)

Rather than searching through directories and listings, in the dump file you can find the names of all the elements that you need to know for debugging. To obtain a dump file, enter ADU and use the DUMP GROUP command. For example:

```
ADU> DUMP GROUP VR_TASK_GROUP /OUTPUT=VR_TASK_GROUP.DMP
```

Debugging Tasks and Procedures

7.3 Using the ACMS Task Debugger

Examples of how you can use a dump file in debugging are bolded and numbered in Example 7-2. The numbers correspond to the numbered explanations following the example.

Example 7-2 Sample Task Group Dump File

```

1 Task group file : UDISK:[UNAME]VR_TASK_GROUP.TDB;5
    Creation time  : 6-MAR-1991 15:08:29.07
    File size     : 107 BLOCKS
=====
                                CDD node name : AVERTZ_CDD_GROUP:VR_TASK_GROUP
=====
GROUP workspace count : 0                Server count   : 4
TASK workspace count  : 21               Task count    : 5
USER workspace count  : 0
Message file list -
  1. "AVERTZ_DEFAULT:VRMSG.EXE"
No request library
Forms list -
  1. Form: VR_FORM                      File: AVERTZ_DEFAULT:VR_FORM.FORM
=====
                                WORKSPACES
=====
GROUP workspace list -
USER workspace list -
TASK workspace list -
  VR_CONTROL_WKSP                      0
  VR_TRANS_WKSP                        1
  .
  .
  .
  ACMS$PROCESSING_STATUS                18
  ACMS$TASK_INFORMATION                 19
  ACMS$SELECTION_STRING                 20
-----
Workspace name  : VR_CONTROL_WKSP      Workspace index : 0
Workspace size  : 127 BYTES            Workspace type  : TASK
Owner node name : AVERTZ_CDD_GROUP:VR_TASK_GROUP  Owner type     : GROUP
Initial content -
  00000000 00000000 00000000 00000000  "....."
  The above line is repeated 6 times (96 BYTES).
  00000000 00000000 00000000 00000000  "....."
  .
  .
  .
=====
                                SERVERS
=====
2 Group server name : VR_UPDATE_SERVER      Server index : 1
Server username   : USERNAME OF APPLICATION  Server type  : PROCEDURE
Shutdown on cancel : YES, IF INTERRUPTED    Reusable    : YES
Username attribute : NOT EXPLICITLY SPECIFIED
Server image file : "AVERTZ_DEFAULT:VR_UPDATE_SERVER.EXE"
Execute termination procedure: ALL RUNDOWNS
  .
  .
  .

```

(continued on next page)

Debugging Tasks and Procedures 7.3 Using the ACMS Task Debugger

Example 7-2 (Cont.) Sample Task Group Dump File

```
=====
                                TASKS
.
.
.
-----
3 Task name : VR_COMPLETE_CHECKOUT_TASK
-----
Task type           : GLOBAL
Composable          : YES
Wait/delay specified : NONE
Task index          : 4

The following is a list of 5 workspaces that are arguments to this task -
  1. Workspace name : VR_SENDCTRL_WKSP           Access mode: READ
  2. Workspace name : VR_CONTROL_WKSP           Access mode: MODIFY
  3. Workspace name : VR_RESERVATIONS_WKSP      Access mode: MODIFY
  4. Workspace name : VR_TRANS_WKSP            Access mode: READ
  5. Workspace name : VR_VEHICLES_WKSP         Access mode: READ

The following is a list of 9 workspaces referenced by this task -
  1. Workspace name : ACMS$PROCESSING_STATUS    Workspace index : 18
     Access type    : UPDATE NO LOCK
     .
     .
000 -----
000 Step name: $TASK           Step type: BLOCK
000 -----
000 BLOCK STEP CHARACTERISTICS -
000 Server context   : RETAINED
000 I/O method       : REQUEST
000 Recovery unit    : NOT ACTIVE
000 Transaction state: STARTING

000 BLOCK WORK -
001 -----
4 001 Step name : PERFORM
001 -----
001 STEP CHARACTERISTICS -
001 Step type       : PROCESSING   Step index   : 0
001 .
001 .
001 STEP WORK -
001 1. Conditional   : YES
001 .
001 .
001 Processing server: VR_UPDATE_SERVER           Server index : 1
001 The procedure vector index in the server image is 3
001 2 workspaces passed to the server -
001 Wksp. name: VR_RESERVATIONS_WKSP           Wksp. index: 5
001 Wksp. size: 140
001 Wksp. name: VR_VEHICLES_WKSP             Wksp. index: 7
001 Wksp. size: 71

5 001 STEP ACTION -
```

(continued on next page)

Debugging Tasks and Procedures

7.3 Using the ACMS Task Debugger

Example 7–2 (Cont.) Sample Task Group Dump File

```
001 1. Conditional      : YES
001 Comparison type   : EQUAL
001 Data type         : TEXT STRING
001 Source field information -
001 Source type      : WORKSPACE FIELD
001 Wksp. name       : ACMS$PROCESSING_STATUS
001 .
001 .
001 Recovery action   : NO RECOVERY ACTION
001 Transaction action: NO TRANSACTION ACTION
001 Context action    : RETAIN SERVER CONTEXT IF ACTIVE
001 Sequencing action: RAISE EXCEPTION
001 Returning         : A MESSAGE NUMBER
001 Message no.      : 08018122
001 .
001 .
001 Error message will be put into the following workspace :
001 Wksp. name       : VR_CONTROL_WKSP
001 Wksp. index      : 0
001 Field offset     : 11
001 Field size       : 80
001 Move Action      : NONE SPECIFIED
001 .
001 .
```

Following are explanations of how you can use a task group dump file to help you in debugging a task. The numbers correspond to those in Example 7–2.

- 1 Use the task group name when you start the ACMS Task Debugger:

```
$ ACMS/DEBUG VR_TASK_GROUP/WORKSPACE
```

- 2 Use the server name to start the server in ADU:

```
ADU> START VR_UPDATE_SERVER
```

- 3 Use the task name to select the task:

```
ADU> SELECT VR_COMPLETE_CHECKOUT_TASK
```

- 4 Use the task name, the step name, and \$BEGIN to set a breakpoint at the beginning of a task:

```
ACMSDBG> SET BREAK VR_COMPLETE_CHECKOUT_TASK \ PERFORM \ $BEGIN
```

- 5 Use the task name, step name, and \$ACTION to set a breakpoint at the action part of a step:

```
ACMSDBG> SET BREAK VR_COMPLETE_CHECKOUT_TASK \ PERFORM \ $ACTION
```

7.3.4.3 Debugging a Task Called by Another Task

When debugging a task that is called by another task (parent task), use the SET BREAK command to pause execution of the called task just as you do when you debug any ACMS task. If you do not define breakpoints in the called task, then the task runs to completion and returns control to the parent task.

If you use a STEP command at the point in the parent task where the parent task calls another task, the Task Debugger steps *into* the called task. Then use the STEP command to execute one exchange or processing step at a time. The Task Debugger executes one step in the called task for each STEP command issued.

Debugging Tasks and Procedures

7.3 Using the ACMS Task Debugger

To avoid stepping all the way through the called task, set a breakpoint at the end of the called task to have it run to completion without pausing at each exchange or processing step:

```
ACMSDBG> SET BREAK called_task\END
ACMSDBG> GO
```

The commands in this example cause the Task Debugger to execute all the steps in the task CALLED_TASK without waiting for you to issue the STEP command. After reaching the breakpoint at the end of the called task, enter the STEP command to have the Task Debugger resume stepping through the parent task.

7.3.4.4 Removing Breakpoints

You can remove breakpoints at any time during a debugging session with the CANCEL BREAK command. For example:

```
ACMSDBG> CANCEL BREAK VR_RESERVE_CAR_TASK\BEGIN
```

To remove all breakpoints in a task or in all tasks for the task group that you are debugging, use the /ALL qualifier. For example:

```
ACMSDBG> CANCEL BREAK /ALL=VR_RESERVE_CAR_TASK
```

This command removes all breakpoints in VR_RESERVE_CAR_TASK. If you do not include a task name in the /ALL qualifier, the command removes all breakpoints in all tasks.

7.3.5 Running a Task in the ACMS Task Debugger

To start a task you want to run, use the SELECT command. For example:

```
ACMSDBG> SELECT VR_RESERVE_CAR_TASK
```

The name you use in the SELECT command must be the name of the task in the task definition. For example:

```
REPLACE GROUP VR_TASK_GROUP
.
.
.
TASKS ARE
  RESERVE_CAR : TASK IS VR_RESERVE_CAR_TASK;
```

If a task uses information entered as part of the selection string, you can include this information as part of the SELECT command. For example:

```
ACMSDBG> SELECT DISPLAY_EMPLOYEE JONES
```

In this example, the Display Employee task expects an employee name to be passed to it in the ACMS\$SELECTION_STRING workspace. If you enter a name after the task name, ACMS moves the name into the ACMS\$SELECTION_STRING workspace and passes it to the task. For further explanation of the use of selection strings, see *HP ACMS for OpenVMS Writing Applications*.

When you use the SELECT command, select only one task at a time. If you have selected a task and it is still running, use the CANCEL TASK command to stop the current task before starting another one:

```
ACMSDBG> CANCEL TASK
```

Debugging Tasks and Procedures

7.3 Using the ACMS Task Debugger

The CANCEL TASK command does not take any parameters or qualifiers. It always stops the current task, if there is one. If the task has context in a server when it is canceled, and if there is a cancel procedure defined for the server, the cancel procedure runs. If there is a cancel action defined for the task, that action is performed after the server cancel procedure, if any, runs.

When you select a task, the ACMS Task Debugger starts the task. Once the task reaches the first breakpoint, you can enter commands to continue running the task, display the contents of workspaces, change the contents of workspaces, or display information about ACMS Task Debugger commands.

7.3.6 Checking Values in Workspaces

You can use both the ACMS Task Debugger and the OpenVMS Debugger to check values in workspaces.

Use the ACMS Task Debugger to check the following workspace values:

- Initial values
- Entered values
- Values in ACMS\$PROCESSING_STATUS

The following sections explain how to check the workspace values listed above.

7.3.6.1 Checking Initial Values

Use the EXAMINE command to check the initial value of a workspace field. For example:

```
ACMSDBG> EXAMINE CHECKOUT_SITE_ID OF VR_VEHICLE_RENTAL_HISTORY_WKSP
CHECKOUT_SITE_ID of VR_CHECKIN_TASK\VR_VEHICLE_RENTAL_HISTORY_WKSP: 0
```

In this example, the initial value of the CHECKOUT_SITE_ID field is 0.

You can also examine the initial contents of an entire workspace. For example:

```
ACMSDBG> EXAMINE VR_VEHICLE_RENTAL_HISTORY_WKSP
VR_CHECKIN_TASK\VR_VEHICLE_RENTAL_HISTORY_WKSP
VEHICLE_ID: +0
CHECKOUT_SITE_ID: +0
RESERVATION_ID: +0
.
.
.
```

To continue running the task after you check an initial workspace value, enter GO after the ACMSDBG> prompt. The GO command tells the Task Debugger to run the task until it reaches the next breakpoint.

7.3.6.2 Checking Entered Values

As you debug a task, exchange and processing steps store new data in workspace fields. At breakpoints in the task, you can use the EXAMINE command to examine the contents of workspaces to determine whether the task is functioning correctly. For example:

```
ACMSDBG> EXAMINE CHECKOUT_SITE_ID OF VR_VEHICLE_RENTAL_HISTORY_WKSP
CHECKOUT_SITE_ID of VR_CHECKIN_TASK\VR_VEHICLE_RENTAL_HISTORY_WKSP: 1
```

Debugging Tasks and Procedures

7.3 Using the ACMS Task Debugger

You can also examine the contents of an entire workspace. For example:

```
ACMSDBG> EXAMINE VR_VEHICLE_RENTAL_HISTORY_WKSP
VR_CHECKIN_TASK\VR_VEHICLE_RENTAL_HISTORY_WKSP
VEHICLE_ID: +2
CHECKOUT_SITE_ID: +1
RESERVATION_ID: +26
.
.
```

In this example, reservation 26 was correctly retrieved from the `VEHICLE_RENTAL_HISTORY` relation in the `AVERTZ` database. In this case, the car was rented from site number 1.

While debugging a task, you might find that a workspace does not contain the data you expect. When you encounter such a problem, check that:

- The order of the workspaces in the form definition and step procedures is the same as the order specified in the task definition.
- The workspace definition is the same in the form definitions, the step procedures, and the task definition; if you have modified a workspace definition, be sure to rebuild all the components that reference the workspace.
- The forms used by the task correctly return the necessary data in a `RECEIVE` or `TRANSCIVE` operation.
- The step procedures called by the task read the correct records from a database or a file.

7.3.6.3 Checking Values in the `ACMS$PROCESSING_STATUS` Workspace

You can check the contents of the `ACMS$PROCESSING_STATUS` workspace by using the `EXAMINE` command. Using the `EXAMINE` command, you can make sure that the workspace message field contains the correct message and that the correct error codes are loaded into `ACMS$T_STATUS_TYPE`.

You can use the `EXAMINE` command to check that a procedure did what was expected. For example, if a read was successful, a workspace should contain a value, and the `ACMS$T_SEVERITY_LEVEL` field of the system workspace should contain the value `S`, showing that the process was successful:

```
ACMSDBG> EXAMINE ACMS$T_SEVERITY_LEVEL
ACMS$T_SEVERITY_LEVEL OF VR_RESERVE_CAR_TASK: S
```

For a detailed discussion of the `ACMS$PROCESSING_STATUS` workspace, see *HP ACMS for OpenVMS Writing Applications*.

7.3.7 Debugging Transaction Timeout Code

In an ACMS application definition, you can specify a time limit within which a distributed transaction must complete. If the transaction does not end within the specified number of seconds, ACMS rolls back the transaction.

You can use the following commands to test that a task handles transaction timeout errors correctly:

Debugging Tasks and Procedures

7.3 Using the ACMS Task Debugger

- **SET TRANSACTION_TIMEOUT** seconds
After you set a transaction timeout limit using this command, ACMS raises a transaction exception if a transaction does not complete in the specified amount of time.
- **CANCEL TRANSACTION_TIMEOUT**
When you have finished testing the task definition logic to handle transaction timeouts, you can use this command to cancel the transaction timeout period you set previously.
- **SHOW TRANSACTION_TIMEOUT**
You can use this command to determine the current transaction timeout value.

By default, there is no transaction time limit. Chapter 10 contains reference information about these commands.

7.3.8 Stopping the Task Debugger

Use the **EXIT** command or **Ctrl/Z** at the **ACMSDBG>** prompt to exit the Task Debugger and return to the DCL command-level prompt:

```
ACMSDBG> EXIT
$
```

If you exit the Task Debugger while server processes are still active, these servers are stopped. If the server has a termination procedure defined for it, the termination procedure is executed.

If there is some reason that you do not want the server's termination procedure to run, you can set a breakpoint at the termination procedure. When you reach the breakpoint, use the **EXIT** command at the OpenVMS Debugger prompt to cause the server process to exit without executing the termination procedure.

7.4 Using the OpenVMS Debugger

Section 7.3 explains how to use the ACMS Task Debugger to debug the steps in a task. This section explains how to use the OpenVMS Debugger to debug server procedures. Transfer control to the OpenVMS Debugger in a server process in one of the following ways:

- **Start a server.**
When a server is started, the server comes up under the control of the OpenVMS Debugger. See Section 7.3.3.1 for information on starting servers.
- **Issue the INTERRUPT command.**
When the server is already started, you can use the ACMS Task Debugger **INTERRUPT** command to transfer control to the OpenVMS Debugger in the server. See Section 7.3.3.3 for details.
- **Set a breakpoint in the procedure code.**
If you set a breakpoint in your procedure code at a time when the server is under the control of the OpenVMS Debugger, you return to the server when you reach this breakpoint.

Debugging Tasks and Procedures

7.4 Using the OpenVMS Debugger

Once you display the `DBG>` prompt, you can debug your procedure as you debug procedures in any standalone program. You can enter any of the OpenVMS Debugger commands that are valid for the language used. There are, however, situations in which the OpenVMS Debugger behaves differently when you use it in an ACMS environment.

Following are details that are specific to using the OpenVMS Debugger in an ACMS environment:

- Using `SET BREAK/EXCEPTION`

You might want to use the `SET BREAK/EXCEPTION` command so that the debugger stops the program at any line where an error occurs. However, be sure to cancel the exception break before canceling a task. Otherwise, a breakpoint occurs in the ACMS code controlling the server process, with confusing messages from the Task Debugger.

- Using `SET WATCH` and defining symbols

Because workspace addresses can change during a task, be careful when using the OpenVMS Debugger `SET WATCH` command. When you use `SET WATCH`, the debugger sets a watchpoint at a location in the workspace to watch an entity and to notify you if the value changes. Because the workspace can be in a different location for each task instance, the field you look at might be in a different location each time, and you might never get a watchpoint.

A task can exit from a server process and later use the same server again with different workspace addresses. When a task reenters a server process, redefine symbols and reset watchpoints. Also, changing the contents of a workspace from the `ACMSDBG>` prompt when the task is not using the server, or when it is using a different server, does not trigger a watchpoint set in the server.

For more information on how to set, display, and change breakpoints, see the *OpenVMS Debugger Manual*. For features specific to a language, see the user's guide for that language.

7.5 Returning to the `ACMSDBG>` Prompt

In the process of debugging a task definition and server procedures, you might want to use an ACMS Task Debugger command, but you cannot because you are not at the `ACMSDBG>` prompt. Following are situations in which you might want to display the `ACMSDBG>` prompt:

- As you step through server code, you decide that you want to set a breakpoint in your task.

You must transfer control to the ACMS Task Debugger to set your task breakpoint.

- As you step through a task, you might want to interrupt a server to set a breakpoint.

Once you set your breakpoint, you need to return control to the ACMS Task Debugger to continue stepping through the task.

Debugging Tasks and Procedures

7.5 Returning to the ACMSDBG> Prompt

- Your server is in an infinite loop.
You need to transfer control to the ACMS Task Debugger so that you can use the INTERRUPT SERVER command to get control of your server. Once you finish with your server code, you might need to return control to the ACMS Task Debugger again to cancel the task.

Use `Ctrl/G` to display the ACMSDBG> prompt in all of these situations.

Note

In versions of ACMS prior to Version 3.2, you use `Ctrl/C` to display the ACMSDBG> prompt.

7.6 Debugging Tasks Called from a User-Written Agent Program

Users who have written their own command process, called an **agent program**, must not only debug their ACMS task definitions and the high-level language step procedures called from the task definition, but also debug the flow of control between an agent program and an ACMS task.

When you debug a conventional ACMS task, the task and the task submitter both execute in the same Task Debugger process, and you have your choice of debugging using one or two terminals. However, when you debug a task called by a user-written agent program, you must debug both the task and the agent program at the same time. Because an additional process is running, you must allocate a terminal to each process. One process runs the agent program, whose only job is to select ACMS tasks. The other process runs the ACMS Task Debugger and performs the usual debugging functions, including:

- Starting and stopping servers
- Setting breakpoints
- Examining and depositing data in workspaces
- Assigning logical names for servers
- Executing tasks

These task debugging functions are described in Section 7.2.5 and Section 7.3.

Important

The agent program and the ACMS Task Debugger must run on the same node.

The processes running the agent program and the Task Debugger require special consideration during debugging. Before debugging, set up so that the agent program selects the task in the ACMS Task Debugger rather than in an ACMS application. Follow these steps to debug tasks that are submitted by agent programs:

1. Use the ACMS\$SIGN_IN service in the agent program.

Do not use the default submitter when debugging tasks submitted by agent programs. The agent program must execute the ACMS\$SIGN_IN service to obtain a submitter ID.

Debugging Tasks and Procedures

7.6 Debugging Tasks Called from a User-Written Agent Program

2. Set protection for remote terminals.

Set WORLD protection for remote terminals to read/write access. Check the protection set for remote terminals using the DCL SHOW DEVICE command:

```
$ SHOW DEV/FULL TT
```

If the terminal does not have WORLD:RW protection, then set the appropriate protection. For example:

```
$ SET PROT=W:RW/DEV TT
```

3. Check quotas, parameters, and logical names.

Make sure that system quotas and parameters are set using the values specified in Section 7.2.6. Also, make sure that any logical names used by the ACMS Task Debugger are defined. (See Section 7.2.3.)

4. Start the ACMS Task Debugger.

Use the ACMS/DEBUG command to start the ACMS Task Debugger. With the command, include the /AGENT_HANDLE qualifier and a handle name (for the agent program) that is unique to the system on which you are debugging the task.

The handle name must be a maximum of 39 characters. To ensure that the agent handle name is unique to the system, you can choose to include the PID of the task debugger or the user name of the person doing the debugging in the /AGENT_HANDLE name.

The following example shows how to start the Task Debugger using an agent handle named VR_26200E49 and a task group database called VR_TASK_GROUP:

```
$ ACMS/DEBUG/AGENT_HANDLE=VR_26200E49 VR_TASK_GROUP  
ACMSDBG>
```

When you start the Task Debugger and include the /AGENT_HANDLE qualifier, you can select tasks from within the Task Debugger as well as submitting calls to ACMS tasks from an agent program. Select or submit only one task at a time.

You can run more than one agent program consecutively or simultaneously with the Task Debugger, but only one agent program can select a task at one time. Also, you cannot use the ACMS Task Debugger CANCEL TASK command to cancel tasks that are called by agent programs.

5. Set up the ACMS Task Debugger environment.

After you start the ACMS Task Debugger, it returns its ACMSDBG> prompt. You can then start servers (described in Section 7.3.3) and define the debugging environment to include items such as breakpoints (described in Section 7.3.4).

6. Accept calls to ACMS tasks from agent programs.

Use the ACMS Task Debugger ACCEPT command to have the ACMS Task Debugger accept calls from the agent program:

```
ACMSDBG> ACCEPT
```

After this command, the ACMS Task Debugger waits until the agent program selects a task. After the agent program selects a task, the task executes in the ACMS Task Debugger. (Chapter 10 describes all the ACMS Task Debugger commands.)

Debugging Tasks and Procedures

7.6 Debugging Tasks Called from a User-Written Agent Program

You can use `Ctrl/G` to return to the `ACMSDBG>` prompt to set more breakpoints, for example, or to exit from the debugger. To resume waiting for the task call, enter the `GO` command.

The `ACCEPT` command accepts one task selection at a time from an agent program. To allow the ACMS Task Debugger to accept subsequent calls to tasks without reentering the `ACCEPT` command for each task selection, use the `/CONTINUOUS` qualifier on the `ACCEPT` command:

```
ACMSDBG> ACCEPT/CONTINUOUS
```

This allows the ACMS Task Debugger to accept task selections from an agent program without entering the `ACCEPT` command at the agent program's terminal each time.

7. Define logical names for the application names used in the agent program.

To make tasks selected by the agent program run in the Task Debugger, define two process logical names before running the agent program.

- Define the logical name `ACMS$DEBUG_AGENT_TASK` to be either `TRUE` (T or t), `YES` (Y or y), or an ASCII number with an odd value:

```
$ DEFINE ACMS$DEBUG_AGENT_TASK Y
```

- Assign a logical name for the application name used in the agent program. The agent program code contains actual application and task names that are defined in the application definition. However, because the agent program selects tasks in the ACMS Task Debugger, you can use logical names (rather than changing the names in the agent program) to associate the application name used in the agent program and the handle name for the debugger. The following example illustrates how to define the application name as a logical name that equates to the agent handle that you specified when you started the Task Debugger.

```
$ DEFINE VR_APPL VR_26200E49
```

In this case, `VR_APPL` is the application name used in the agent program, and `VR_26200E49` is the agent handle name included on the `ACMS/DEBUG` command when the debugger was started (see the example in step 4).

The logical name is optional; if the application name is not defined as a logical name, then the application name in the agent program is used as the `/AGENT_HANDLE` name. If the agent program cannot find a Task Debugger process with the appropriate handle name, the agent program returns an `ACMS-E-SRVNOTFOUND` error.

8. Do any preparation work necessary for DECforms.

Because `DECforms` runs in the agent process, do all `DECforms` setup in the agent process. Section 7.2.4 contains instructions for preparing to debug `DECforms` escape routines.

9. Run the agent program.

Remember that the agent program can select tasks in only one application. If the agent program's `ACMS$GET_PROCEDURE_INFO` service selects a task from a second application, the ACMS Task Debugger returns the `ACMS-E-DBGMULTIPKGS` error message.

Debugging an Application in an ACMS Run-Time Environment

After debugging the tasks in a task group, you include the task group in an application definition and make the tasks available from a menu. Then you need to test the application as a single, working unit before releasing it for use in the ACMS run-time environment.

Because the ACMS Task Debugger runs in a different environment from an ACMS application, even the best-designed and best-developed application can encounter problems during the transition from one environment to another. To help you overcome this potential problem, ACMS allows you to debug servers executing in an active ACMS application. You can also request an OpenVMS process dump for a server that aborts execution due to system or programming errors and then analyze the output from the dump file.

Sections in this chapter explain the following:

- Moving to an ACMS run-time environment
- Checking files that you need to run tasks under ACMS
- Debugging procedure servers in a run-time environment
- Determining why a server stops unexpectedly

8.1 Moving from Debugging to a Run-Time Environment

When you make the transition from testing a task running under the ACMS Task Debugger to running the task in the ACMS run-time environment, check that logical names, server quotas and privileges, and file or database protections are set adequately for the run-time environment.

Avoid run-time problems by ensuring that:

- Logical names that were available to the server subprocess running under the ACMS Task Debugger are available to the ACMS run-time server process.

The server runs as a subprocess under the ACMS Task Debugger, but it runs as a detached process under the ACMS run-time environment. Therefore, logical names that were available to the server through logical name tables when it runs as a subprocess may not be available to the server when it runs as a detached process.

The Application Execution Controller and servers can run under user names different from each other and different from the one you used while debugging the task group. Because of this, determine the best way to define the logical names so that all processes that need them have access to them. You can define them:

- As system logical names

Debugging an Application in an ACMS Run-Time Environment

8.1 Moving from Debugging to a Run-Time Environment

- In a logical name table to which the server and application have access
- As server logical names in the application definition for the server
- Server quotas and privileges are adequate for the operations that the run-time server performs.

As discussed previously, the ACMS run-time server may run under a different user name than in the ACMS Task Debugger. Therefore, an operation that was performed successfully under the ACMS Task Debugger may not work at run time. This happens if the server user name does not have the quotas or privileges (if any) required for the operation.

If the user names are different, the quotas may be insufficient. Make sure that the quotas of the user name in the run-time environment are high enough.

- Protection on files and databases allow access by the run-time server.
If the run-time server uses a different user name than the server that it ran under in the ACMS Task Debugger, files and databases that can be read and written to during debugging may not be available at run time.
- Servers that perform terminal I/O during processing steps must explicitly open and close the terminal channel.
During debugging, the ACMS Task Debugger always makes the terminal available to the server subprocess. Therefore, procedures that successfully do terminal I/O during processing steps under the ACMS Task Debugger may not work when they are run under the ACMS run-time system. The task definition must explicitly make the terminal available to the server using the TERMINAL I/O phrase.
- Logical names that translate to specific devices or files under the ACMS Task Debugger must translate to the appropriate devices or files when used during run time with the ACMS Application Execution Controller.

When a task uses logical names to determine which of several files or devices to access, take care that the logical names translate to the file or device you intend to access. Under the ACMS Task Debugger, for example, if you want to print or generate a hard copy of a HP DECforms form, the form listing goes to the device pointed to by the programmer's translation of the FORMS\$PRINT_FILE logical name. Tasks running under the ACMS run-time environment, however, send their output to the device pointed to by the agent process's translation of the FORMS\$PRINT_FILE logical name (for example, the CP process).

In addition, if the task is accessed remotely (such as when the submitter and the application are on different nodes), the output goes to the device pointed to by the remote agent process's translation of FORMS\$PRINT_FILE (for example, the CP process).

- Step procedures that open channels to the terminal must close them before ending.

In the run-time environment, if a step procedure opens a channel to the terminal but returns without closing it, ACMS cancels the task. However, ACMS cannot do this when you are using the Task Debugger because open channels could be due to debugging. Therefore, if you do not correctly close all channels to the terminal that you open in a step procedure, the task works in the Task Debugger but will be canceled at run time.

8.2 Checking Files Needed to Run Tasks Under ACMS

A task under the control of ACMS at run time uses all the files needed to run the task under the ACMS Task Debugger plus two additional files, the application database (.ADB) and the menu database (.MDB):

- Application database
You create application database files with the ADU command BUILD APPLICATION. These files contain information used by ACMS in running tasks.
- Menu database
You create menu database files when you use the ADU command BUILD MENU. These files contain binary versions of menu definitions.

For a list of the files you need when you use the ACMS Task Debugger, see Table 7-1 and Figure 7-1.

8.3 Debugging Procedure Servers in the Run-Time Environment

Even though a task executes successfully in the ACMS Task Debugger environment, it may contain errors that do not show up until the task runs in a server in the ACMS run-time environment. For example, the server may go into an infinite loop, give incorrect output, or terminate prematurely.

ACMS provides the ACMS/DEBUG/SERVER operator command so that you can debug servers as they execute in the ACMS run-time environment. Using this command, you can observe the server process execution through the OpenVMS Debugger. This feature provides a way for you to use OpenVMS Debugger commands to locate run-time programming or logic errors and other bugs. If a server is looping, for example, you can step through a procedure and isolate bugs in the live server just as though the server were running in the ACMS Task Debugger.

Once you have identified and corrected an error in a server, ACMS also provides the ACMS/REPLACE SERVER operator command to replace the faulty server without interrupting the live application.

The following sections describe how to debug running servers. Section 8.3.2 describes the ACMS/DEBUG/SERVER command. *HP ACMS for OpenVMS Managing Applications* describes the syntax for the ACMS/REPLACE SERVER operator commands.

Note

Use ACMS/DEBUG/SERVER to debug only procedure servers. Do not use this command to debug DCL servers.

8.3.1 Controlling Which Users Can Debug Servers

Because the ACMS/DEBUG/SERVER command allows users to stop a server or change the way it operates, you must provide a means of controlling which users can debug servers. You provide this security by using logical names. For each user who can debug servers, define the logical name ACMS\$DEBUG_SERVER_vmsusername as either TRUE or YES.

Debugging an Application in an ACMS Run-Time Environment

8.3 Debugging Procedure Servers in the Run-Time Environment

Note

The logical name ACMS\$DEBUG_SERVER_vmsusername must be an executive mode logical.

The following example shows how to define an executive mode logical name to allow the user SMITH to debug any server on the system:

```
$ DEFINE/SYSTEM/EXEC ACMS$DEBUG_SERVER_SMITH YES
```

This example uses the /SYSTEM qualifier to define the logical name as a system logical so that the user named SMITH can debug any server on the system.

Define the ACMS\$DEBUG_SERVER_vmsusername logical at DCL level as shown in the previous example, using the /SYSTEM, /GROUP, or /TABLE qualifier. A user can debug any server on the system if ACMS\$DEBUG_SERVER_vmsusername is defined as an executive mode system logical.

By using the /GROUP qualifier, you can restrict users to debugging only servers in a particular group. You can also define the logical in a server logical name table and point to it from the ACMS application definition. Use the /TABLE qualifier on the DEFINE ACMS\$DEBUG_SERVER_vmsusername command if you define the logical in a server logical name table.

You do not need to define the ACMS\$DEBUG_SERVER_vmsusername logical if the user has the CMKRNL privilege. ACMS allows any user with the CMKRNL privilege to debug any server.

Although you can authorize several users to debug a server or servers, only one user can debug a server at a time.

8.3.2 Using the ACMS/DEBUG/SERVER Command

To debug a running server, you must link the server to include traceback information. This is required for the OpenVMS Debugger to interrupt the server. By default, the OpenVMS Linker links images with traceback. If the server was linked without traceback (that is, the /NOTRACEBACK qualifier was used on the LINK command), you must relink the server before you can debug it. Then you must replace the server in the running application before continuing.

If the server is linked with /TRACEBACK (the default), and you have either defined the ACMS\$DEBUG_SERVER_vmsusername logical name or provided the CMKRNL privilege for the users who can debug the server, follow these steps to debug the server:

1. Use the ACMS/SHOW SERVER command to get the server process name and process identification (PID). Use the process name or the server's PID when you start debugging the server.
2. Invoke the debugger by issuing the ACMS/DEBUG/SERVER command, including either the server process name or the process ID. The following example starts the debugger for VR_SERVER, whose server process name is ACMS021SP001000:

```
$ ACMS/DEBUG/SERVER ACMS021SP001000
DBG>
```


Debugging an Application in an ACMS Run-Time Environment

8.3 Debugging Procedure Servers in the Run-Time Environment

Include the PID number with this command by specifying the PID number with the /PID=PID_number qualifier. For example:

```
$ ACMS/DEBUG/PID=26000049  
DBG>
```

3. Issue OpenVMS Debugger commands to debug the server code.
See *OpenVMS Debugger Manual* for more information on using the OpenVMS Debugger commands.
4. Press **Ctrl/G** while debugging a server to interrupt the server and return control to the OpenVMS Debugger.
Using **Ctrl/G** is a handy way to interrupt the debugger, if you forgot to set a breakpoint and want to do it before continuing, for example. Use the GO command or STEP command to continue debugging the server.
5. Use **Ctrl/Z** or the EXIT command to stop the debugging session from the DBG> prompt. When you complete a debugging session, you stop the server that you are debugging.

8.3.3 Replacing a Faulty Server

After you find an error in a server, you need to complete several steps to correct the situation:

1. Correct the code.
2. Rebuild the server image.
3. Place the server image in the location specified in the SERVER IMAGE IS statement in the task group definition.
4. Use the ACMS/REPLACE SERVER operator command to run down the server processes that are executing the faulty server code and create new processes running the corrected image. You can do this without interrupting the live application. For example:

```
$ ACMS/REPLACE SERVER VR_SERVER /CONFIRM
```

If a task has context in a server that you are replacing at the time the REPLACE command is issued, the server does not run down until context is released.

You must have OPER privilege to issue the ACMS/REPLACE SERVER command. *HP ACMS for OpenVMS Managing Applications* contains more information on replacing servers in a live application.

8.4 Determining Why Servers Stop Unexpectedly

Sometimes servers executing in a production environment stop unexpectedly. If you suspect that the server stopped as a result of system errors or errors in the step procedure, you need a way to trace the location of the error.

You can request ACMS to generate an OpenVMS process dump if a server stops unexpectedly. This produces a dump file that contains the context of the process when the server stopped. You can then analyze the contents of the dump file for clues as to why the server stopped.

To get a server process dump, you can include the SERVER PROCESS DUMP clause in the ACMS application definition or use the ACMS/MODIFY APPLICATION command. These two methods are explained in the next section.

Debugging an Application in an ACMS Run-Time Environment

8.4 Determining Why Servers Stop Unexpectedly

8.4.1 Collecting Server Information in a Dump File

The following occurrences can cause a server to stop executing while running in an application:

- The initialization procedure, termination procedure, or a step procedure signals a FATAL (F) error.
- The initialization procedure returns a bad status with a severity level of FATAL (F), ERROR (E), or WARNING (W).
- Channels to the terminal are left open after the procedure returns control to the task definition.

If you have problems with a particular server, set up the server to provide server process dumps. Then run the task and try to reproduce the situation that causes the server to stop, so that ACMS generates a dump file for analyzing the problem.

First, enable or disable server process dumps in the application definition by using the SERVER PROCESS DUMP clause. You can enable server process dumps in the running application by using the ACMS/MODIFY APPLICATION operator command in an active application. This command temporarily modifies the application definition parameters for the current active application. If you stop and restart the application, the application parameters are reset to their original values.

HP ACMS for OpenVMS Managing Applications describes the ACMS/MODIFY APPLICATION command and its qualifiers.

Another method of enabling server process dumps is to stop the application, replace the application definition with one that includes the SERVER PROCESS DUMP clause, rebuild the application, and then restart the application. This method permanently enables server process dumps for the server in the application definition.

Example 8–1 shows an application definition that specifies server process dumps.

Example 8–1 Using the SERVER PROCESS DUMP Clause in an Application Definition

```
.  
. .  
SERVER ATTRIBUTES ARE  
  UPDATE_SERVER:  
    SERVER PROCESS DUMP;  
END SERVER ATTRIBUTES;  
. .  
.
```

When the server terminates abnormally, ACMS writes the context for the server to a dump file located in the default directory for the server. The dump file has the same name as the server. At the same time that ACMS generates the dump file, it also writes a record to the ACMS audit trail log.

If, for some reason, ACMS is unable to generate a server process dump, ACMS writes an audit record to explain the failure. For example, there may be insufficient privileges for ACMS to write the dump file to the server's default directory.

Debugging an Application in an ACMS Run-Time Environment

8.4 Determining Why Servers Stop Unexpectedly

See *HP ACMS for OpenVMS ADU Reference Manual* for more information about including the server process dump qualifier in an application definition.

8.4.2 Analyzing Server Process Dumps

You use the DCL command `ANALYZE/PROCESS_DUMP` to analyze the contents of a server process dump file. For example:

```
$ ANALYZE/PROCESS_DUMP/IMAGE=avertz_default:vr_update_server_.exe -  
_ $ vr_update_server.dmp
```

In some cases, the `ANALYZE/PROCESS_DUMP` returns an error if the server process dump file and procedure server image are not located in the same directory. If you encounter this problem, simply copy the procedure server image to the same directory as the server process dump file, and reissue the `ANALYZE/PROCESS_DUMP` command. For example:

```
$ ANALYZE/PROCESS_DUMP/IMAGE=vr_update_server_.exe -  
_ $ vr_update_server.dmp
```

Be sure the dump file allows read (R) access before invoking the analyzer. For a complete description of the debugger, see *OpenVMS Debugger Manual*. *OpenVMS DCL Dictionary* discusses using the DCL `ANALYZE/PROCESS_DUMP` command.

Part II

Reference Material

This part of the manual contains reference materials on writing procedures and debugging ACMS tasks and procedures: ACMS programming services and ACMS Task Debugger commands.

ACMS Programming Services

This chapter contains reference material for the programming services supplied by ACMS. Table 9–1 summarizes these services. The sections following the table list the services and provide detailed information about how to use each service.

ACMS queuing services are discussed in *HP ACMS for OpenVMS Writing Applications*.

Table 9–1 Summary of the ACMS Programming Services

Service	Description
ACMS\$GET_TID	Used by a server procedure to obtain the transaction ID currently associated with an executing task.
ACMS\$RAISE_NONREC_EXCEPTION	Raises a nonrecoverable exception. This service is called if a step procedure detects an error from which it cannot recover. ACMS cancels the task when a step procedure raises a nonrecoverable exception.
ACMS\$RAISE_STEP_EXCEPTION	Raises a step exception. This service is called if a step procedure detects an error from which it cannot recover, but which the task definition may be able to handle.
ACMS\$RAISE_TRANS_EXCEPTION	Raises a transaction exception. This service is called if a step procedure detects an error from which it cannot recover, but which the task definition may be able to handle.

ACMS Programming Services

Note

The raise-exception programming services differ in an important way from the superseded ACMSAD\$REQ_CANCEL service; if a step procedure calls the ACMSAD\$REQ_CANCEL service, the service immediately cancels the current task and does not return control to the step procedure.

In contrast, after storing the appropriate exception information, the raise-exception services all return control to the step procedure. Once the step procedure completes, the exception is raised in the task.

The format descriptions for the services use OpenVMS procedure parameter notation. Each parameter can have four characteristics, represented by two groups of symbols following the parameter. The characteristics definable for each parameter are:

<name>.<access type><data type>.<pass mech>

The characteristics are always listed in this order. A period (.) separates access and data types from passing mechanism and parameter form. For example:

comp_status.wl.r

Table 9–2 defines the symbols used for procedure parameter notation.

Table 9–2 Procedure Parameter Notation

Notation	Symbol	Meaning
Access type	r	Read access only
	w	Write and read access
Data type	l	Longword integer (signed)
	o	Octaword integer (signed)
Passing mechanism	r	By reference

For a complete explanation of all the OpenVMS data structures, data types, access mechanisms and passing mechanisms, see *Guide to Creating OpenVMS Modular Procedures*.

ACMS\$GET_TID

Used by a server procedure to obtain the transaction ID (TID) currently associated with an executing task.

Format

ACMS\$GET_TID (tid.wo.r)

Parameter

tid

Address of a 16-byte data structure into which ACMS writes the TID.

Return Status

The ACMS\$GET_TID service can return the following status values:

Status	Severity Level	Description
ACMS\$_NORMAL	Success	Normal successful completion.
ACMS\$_TRANSNOTACT	Error	A distributed transaction is not active at this time.
ACMS\$_INSUFPRM	Error	Insufficient number of arguments supplied to this routine. You must specify a TID argument when you call ACMS\$GET_TID.
ACMS\$_INVNUMARGS	Error	Too many arguments supplied to this service. Check the procedure and remove any extraneous arguments.
ACMS\$_NOGETTIDCANPROC	Error	Cannot obtain the transaction ID from a server cancel procedure.
ACMS\$_TASKNOTACTGT	Fatal	ACMS\$GET_TID service may not be called when no task is active.

Note

This service cannot be called by initialization, termination, or cancel procedures.

ACMS\$GET_TID

Example

```
IDENTIFICATION DIVISION.  
PROGRAM-ID. VR-COMPLETE-CHECKOUT-PROC.  
...  
DATA DIVISION.  
...  
WORKING-STORAGE SECTION.  
*  
* Return status to pass to ACMS  
*  
01 RET-STAT          PIC S9(9) COMP.  
.  
.  
*  
* Declare the global transaction context structure. This is  
* required for SQLPRE  
*  
EXEC SQL INCLUDE  
      'AVERTZ_SOURCE:VR_CONTEXT_STRUCTURE_INCLUDE.LIB'  
END-EXEC.  
.  
.  
PROCEDURE DIVISION USING VR_RESERVATIONS_WKSP,  
                        VR_VEHICLES_WKSP  
                        GIVING RET-STAT.  
  
MAIN-PROGRAM.  
    CALL "ACMS$GET_TID" USING CS-TID GIVING RET-STAT.  
.  
.  
.
```

In this example from the AVERTZ sample application, the context structure is defined in the library VR_CONTEXT_STRUCTURE_INCLUDE.LIB. CS-TID is one field in that structure:

```
01 CONTEXT-STRUCTURE.  
02 CS-VERSION          PIC S9(9) COMP VALUE 1.  
02 CS-TYPE            PIC S9(9) COMP VALUE 1.  
02 CS-LENGTH          PIC S9(9) COMP VALUE 16.  
02 CS-TID             PIC X(16).  
02 CS-END             PIC S9(9) COMP VALUE 0.
```

ACMS\$RAISE_NONREC_EXCEPTION

Raises a nonrecoverable exception if a step procedure detects an error from which it cannot recover. ACMS cancels the current task when a nonrecoverable exception is raised.

Format

ACMS\$RAISE_NONREC_EXCEPTION ([exception_code.rl.r])

Parameter

exception_code

Optional address of a longword containing the exception code.

Return Status

The ACMS\$RAISE_NONREC_EXCEPTION service can return the following status values:

Status	Severity Level	Description
ACMS\$_NORMAL	Success	Normal successful operation; the nonrecoverable exception is raised and the task is canceled as soon as the step procedure completes.
ACMS\$_EXCPTNACTIVE	Error	An exception of the same or higher level has already been raised. The existing exception is raised in the task as soon as the step procedure completes.
ACMS\$_INVNONRECEXCCODE	Error	An invalid nonrecoverable exception code was passed to the service. A nonrecoverable exception is raised, and the task is canceled with the ACMS\$_INVNONRECEXCCODE failure status as soon as the step procedure completes.
ACMS\$_NOEXCPTNCANPROC	Error	Cannot raise an exception from a server cancel procedure.
ACMS\$_TSKCANINVARGS	Error	Too many arguments were supplied to this service. A nonrecoverable exception is raised, and the task is canceled with the ACMS\$_TSKCANINVARGS failure status as soon as the step procedure completes.
ACMS\$_TASKNOTACTNRE	Fatal	ACMS\$RAISE_NONREC_EXCEPTION service may not be called when no task is active.

ACMS\$RAISE_NONREC_EXCEPTION

Notes

If an exception code is not supplied, ACMS uses ACMS\$_NONRECEXCPTN_PROCSVR; ACMS-E-NONRECEXCPTN_PROCSVR, "Exception resulted from a procedure server calling ACMS\$RAISE_NONREC_EXCEPTION." If an exception code is supplied, it must be a failure status.

If an exception code is supplied that is not a failure status, then ACMS cancels the task with a status of ACMSEXC-E-INVNONRECEXCCODE, "Task canceled: invalid exception code passed to ACMS\$RAISE_NONREC_EXCEPTION."

ACMS sets the appropriate exception information when this service is called; however, the exception is not raised in the task until the step procedure completes. Therefore, a step procedure should return as soon as possible after calling the ACMS\$RAISE_NONREC_EXCEPTION service.

This service cannot be called from a cancel procedure or from an initialization or a termination procedure.

Example

```
IF RET-STAT NOT SUCCESS THEN  
    CALL "ACMS$RAISE_NONREC_EXCEPTION" GIVING RSTAT
```

In this example, if the return status is not success, then the procedure raises a nonrecoverable exception in the task.

ACMS\$RAISE_STEP_EXCEPTION

Raises a step exception if a step procedure detects an error from which it cannot recover but which the task definition may be able to handle.

When a step procedure raises a step exception, the exception falls under the control of the exception handler defined for the processing step or outer-block step, if one exists.

Format

ACMS\$RAISE_STEP_EXCEPTION ([exception_code.rl.r])

Parameter

exception_code

Optional address of a longword containing the exception code.

Return Status

The ACMS\$RAISE_STEP_EXCEPTION can return the following status values:

Status	Severity Level	Description
ACMS\$_NORMAL	Success	Normal successful operation; the step exception is raised in the task as soon as the step procedure completes.
ACMS\$_EXCPTNACTIVE	Error	An exception of the same or higher level has already been raised. The existing exception is raised in the task as soon as the step procedure completes.
ACMS\$_INVSTPEXCCODE	Error	An invalid step exception code was passed to the service. A nonrecoverable exception is raised, and the task is canceled with the ACMS\$_INVSTPEXCCODE failure status as soon as the step procedure completes.
ACMS\$_NOEXCPTNCANPROC	Error	Cannot raise an exception from a server cancel procedure.
ACMS\$_TSKCANINVARGS	Error	Too many arguments were supplied to this service. A nonrecoverable exception has been raised, and the task is canceled with the ACMS\$_TSKCANINVARGS failure status as soon as the step procedure completes.

ACMS\$RAISE_STEP_EXCEPTION

Status	Severity Level	Description
ACMS\$_TASKNOTACTSE	Fatal	ACMS\$RAISE_STEP_EXCEPTION service may not be called when not task is active.

Notes

If an exception code is not supplied, ACMS uses ACMS\$_STPEXCPTN_PROCSVR; ACMS-E-STPEXCPTN_PROCSVR, "Exception resulted from a procedure server calling ACMS\$RAISE_STEP_EXCEPTION." If an exception code is supplied, it must be a failure status.

If an exception code is supplied that is not a failure status, then ACMS cancels the task with a status of ACMSEXC-E-INVSTPEXCPTNCODE, "Task canceled: invalid step exception code passed to ACMS\$RAISE_STEP_EXCEPTION."

ACMS stores the appropriate exception information when this service is called; however, the exception is not raised in the task until the step procedure completes. Therefore, a step procedure should return as soon as possible after calling the ACMS\$RAISE_STEP_EXCEPTION service.

This service cannot be called from a cancel procedure or from an initialization or a termination procedure.

Example

```
SQL-ERROR-HANDLER.  
    CALL "ACMS$RAISE_STEP_EXCEPTION" USING  
        BY REFERENCE RET-STAT.
```

In this example, the SQL error handler raises a step exception that is handled in the task.

ACMS\$RAISE_TRANS_EXCEPTION

Raises a transaction exception if a step procedure detects an error from which it cannot recover but which the task definition may be able to handle.

When a step procedure raises a transaction exception, the exception falls under the control of the exception handler defined for the transaction step or outer-block step, if one exists.

Format

ACMS\$RAISE_TRANS_EXCEPTION ([exception_code.rl.r])

Parameter

exception_code

Optional address of a longword containing the exception code.

Return Status

The ACMS\$RAISE_TRANS_EXCEPTION service can return the following status values:

Status	Severity Level	Description
ACMS\$_NORMAL	Success	Normal successful operation; the transaction exception is raised in the task as soon as the step procedure completes.
ACMS\$_INVTRANSEXCCODE	Error	An invalid transaction exception code was passed to the service. A nonrecoverable exception has been raised, and the task is canceled with the ACMS\$_INVTRANSEXCCODE failure status as soon as the step procedure completes.
ACMS\$_EXCPTNACTIVE	Error	An exception of the same or higher level has already been raised. The existing exception is raised in the task as soon as the step procedure completes.
ACMS\$_NOEXCPTNCANPROC	Error	Cannot raise an exception from a server cancel procedure.

ACMS\$RAISE_TRANS_EXCEPTION

Status	Severity Level	Description
ACMS\$_TRANSEXCNOTACT	Error	The ACMS\$RAISE_TRANS_EXCEPTION service was called by a step procedure, but a transaction was not active. A nonrecoverable exception has been raised, and the task is canceled with the ACMS\$_TRANSEXCNOTACT failure status as soon as the step procedure completes.
ACMS\$_TSKCANINVARGS	Error	Too many arguments were supplied to this service. A nonrecoverable exception has been raised, and the task is canceled with the ACMS\$_TSKCANINVARGS failure status as soon as the step procedure completes.
ACMS\$_TASKNOTACTTE	Fatal	ACMS\$RAISE_TRANS_EXCEPTION service may not be called when no task is active.

Notes

If an exception code is not supplied, ACMS uses ACMS\$_TRANSEXCPTN_PROCSVR; ACMS-E-TRANSEXCPTN_PROCSVR, "Exception resulted from a procedure server calling ACMS\$RAISE_TRANS_EXCEPTION." If an exception code is supplied, it must be a failure status.

If an exception code is supplied that is not a failure status, then ACMS cancels the task with a status of ACMSEXC-E-INVTRANSEXCCODE, "Task canceled: invalid step exception code passed to ACMS\$RAISE_TRANS_EXCEPTION."

If a step procedure calls the ACMS\$RAISE_TRANS_EXCEPTION service when a transaction is not active, then ACMS cancels the task with a status of ACMS\$_TRANSEXCNOTACT; ACMS-E-TRANSEXCNOTACT, "Task canceled: ACMS\$RAISE_TRANS_EXCEPTION called when no transaction active."

ACMS sets the appropriate exception information when this service is called; however, the exception is not raised in the task until the step procedure completes. Therefore, a step procedure should return as soon as possible after calling the ACMS\$RAISE_TRANS_EXCEPTION service.

This service cannot be called from a cancel procedure or from an initialization or a termination procedure.

Example

```
SQL-ERROR-HANDLER.  
    CALL "ACMS$RAISE_TRANS_EXCEPTION" USING  
        BY REFERENCE RDB$LU_STATUS.  
EXIT PROGRAM.
```

The previous example shows how to raise a transaction exception in the error-handling section of a COBOL procedure.

ACMS Task Debugger Commands

This chapter lists the commands available with the ACMS Task Debugger. You can use these commands to run an ACMS task without starting an application, to control the task, and to examine and change the contents of the workspaces the task uses as it runs. Table 10–1 lists the ACMS Task Debugger commands described in this chapter.

Table 10–1 ACMS Task Debugger Commands

Command	Description
@ (at sign)	Runs a file containing Task Debugger commands.
ACCEPT	Accepts one task selection at a time from one or more agent programs.
ASSIGN	Assigns a process logical name to a server.
CANCEL BREAK	Removes one or more breakpoints from a task or all breakpoints from all tasks.
CANCEL TASK	Cancels the current task.
CANCEL TRANSACTION_TIMEOUT	Cancels the transaction timeout period previously set.
DEPOSIT	Puts a value into a workspace field.
EXAMINE	Displays the current value of a workspace field.
EXIT	Ends the debugger session and returns you to DCL, or ends the running of a file of Task Debugger commands.
GO	Continues a task after a breakpoint or INTERRUPT command. Also continues a task interrupted with Ctrl/G .
HELP	Displays information about Task Debugger commands and symbols.
INTERRUPT	Interrupts a server and gives control to the OpenVMS Debugger in that server process.
SELECT	Selects and starts a task.
SET BREAK	Sets a breakpoint in a task.
SET SERVER	Names the default server for ASSIGN commands.
SET TRANSACTION_TIMEOUT	Sets the transaction timeout limit (in seconds).
SHOW BREAK	Displays breakpoints set for all tasks.
SHOW SERVERS	Displays all servers that have been started with the START command.

(continued on next page)

ACMS Task Debugger Commands

Table 10–1 (Cont.) ACMS Task Debugger Commands

Command	Description
SHOW TRANSACTION_ TIMEOUT	Displays the value of the current transaction timeout.
SHOW VERSION	Displays the version number of the Task Debugger.
START	Starts one or more instances of one or more servers.
STEP	Runs the task to the next task-level step point.
STOP	Stops one or more servers.

@ (At sign) Command

Runs the debugger commands contained in the named file. The file can contain any ACMS Task Debugger command, including another at-sign command. When the ACMS Task Debugger reaches an EXIT command or the end of the file, it returns control to the terminal or command procedure that issued the at-sign command.

Format

@ file-spec

Parameter

file-spec

The OpenVMS file specification of the command procedure to be run. The default device and directory are your current default device and directory. The default file type is .COM. Do not enclose the file specification in single or double quotation marks.

Notes

The ACMS Task Debugger does not recognize a SET VERIFY command. When the command procedure runs, the commands in the file are not displayed on the terminal screen.

Include comments in the command file by preceding them with an exclamation mark (!).

Examples

1. ACMSDBG> @VRDBG.COM

This example shows how to run the command procedure whose file specification is VRDBG.COM; it is in the current default directory. The following example is a command procedure.

2. ! Command procedure for debugging tasks using the VR_SERVER.
!
ASSIGN /SERVER=VR_SERVER SYS\$SAMPLE:VRFILE.DAT VR_FILE
START VR_SERVER

In this example, the equivalence name SYS\$SAMPLE:VRFILE.DAT is assigned to the process logical name VR_FILE for the server named VR_SERVER. The command file VRDBG.COM specifies this assignment.

ACCEPT Command

Accepts calls from an agent program.

Format

ACCEPT [/qualifier]

Command Qualifier	Default
/CONTINUOUS	None

Qualifier

/CONTINUOUS

Specifies that the Task Debugger can accept multiple consecutive task selections from agent programs.

Notes

One or more agent programs can call tasks, but the ACCEPT command accepts only one task selection at a time. You must type the ACCEPT command each time you want the Task Debugger to accept another call from an agent program unless you specify the /CONTINUOUS qualifier. The /CONTINUOUS qualifier allows the Task Debugger to accept subsequent task calls without entering the ACCEPT command each time. After you type the ACCEPT or ACCEPT/CONTINUOUS command, the Task Debugger waits until the agent program calls a task. Then the task executes in the Task Debugger.

Before the agent program calls a task, use **Ctrl/G** to return to the ACMSDBG> prompt if you want to enter more Task Debugger commands before executing the task. This discontinues the effect of the /CONTINUOUS qualifier. To resume waiting for the task call, enter the GO command.

Tasks selected by agent programs cannot be canceled using the CANCEL TASK command.

Example

```
ACMSDBG> ACCEPT/CONTINUOUS
```

This example allows the Task Debugger to accept consecutive calls to tasks without reentering the ACCEPT command for each task selection.

ASSIGN Command

Assigns a process logical name for a server.

Format

```
ASSIGN [/qualifier] equivalence-name logical-name
```

Command Qualifier	Default
/SERVER=server-name	/SERVER=current-server

Parameters

equivalence-name

The OpenVMS file specification or other string assigned to the logical name. The string must conform to the standards for equivalence names, which are explained in *OpenVMS DCL Dictionary*.

logical-name

The 1- to 63-character process logical name assigned. The logical name must conform to the standards for logical names as explained in *OpenVMS DCL Dictionary*.

Qualifier

/SERVER=server-name

Names the server for which the logical name is assigned. The server name must be the same as the name used in a Task Debugger START command; that is, it must be the name assigned to the server in the task group definition. The default server name is the one named in the most recent SET SERVER command.

Note

When ACMS starts a server, it creates the server with all the logical names specified up to that point. Therefore, to assign logical names for a server, assign them before starting the server.

Examples

```
1. ACMSDBG> ASSIGN SYS$SAMPLE:VRFILE.DAT VR_FILE
```

In this example, the equivalence name SYS\$SAMPLE:VRFILE.DAT is assigned to the process logical name VR_FILE for the current server.

```
2. ACMSDBG> ASSIGN /SERVER=VR_SERVER SYS$SAMPLE:VRFILE.DAT VR_FILE
```

In this example, the equivalence name SYS\$SAMPLE:VRFILE.DAT is assigned to the process logical name VR_FILE for the server named VR_SERVER.

CANCEL TASK (ACMSDBG>)

CANCEL BREAK Command

Removes one or more breakpoints from a task or from all tasks.

Format

```
CANCEL BREAK [/qualifiers] [breakpoint]
```

Command Qualifier	Default
/ALL[=task-name]	None

Parameter

breakpoint

Names a breakpoint to cancel in the current task. See the SET BREAK command for the format of this parameter.

Qualifier

/ALL

Declares that all breakpoints in all tasks or in one task are to be canceled. If you include an equal sign (=) and task name in the /ALL qualifier, the task name must be the name of the task in the task group definition.

Note

You must include either the /ALL qualifier or the breakpoint parameter in the CANCEL BREAK command.

Examples

1. ACMSDBG> CANCEL BREAK VR_RESERVE_TASK\\$\$STEP_1\\$\$BEGIN

This example shows how to cancel the breakpoint at the beginning of the first step of the Vehicle Rental Reserve Car Task, VR_RESERVE_TASK.

2. ACMSDBG> CANCEL BREAK /ALL=VR_RESERVE_TASK

This example shows how to cancel all task-level breakpoints in the task VR_RESERVE_TASK.

CANCEL TASK Command

Cancels the current task.

Format

```
CANCEL TASK
```

Notes

You can use the CANCEL TASK command at the ACMSDBG> prompt when there is an active task that was started with the ACMSDBG SELECT command. However, you cannot use this command to cancel a task that was submitted by an agent program.

To display the ACMSDBG> prompt when you are not at a breakpoint or when you are at an OpenVMS Debugger prompt, press `Ctrl/G`.

When you use this command, the OpenVMS Debugger runs the cancel action if any is defined for the task. If the task has context in a server when it is canceled, the cancel procedure (if any) for that server is also run.

Example

```
ACMSDBG> CANCEL TASK
```

This example shows how to cancel the current task.

CANCEL TRANSACTION_TIMEOUT Command

Cancels any transaction timeout period previously set.

Format

```
CANCEL TRANSACTION_TIMEOUT
```

Notes

You can use the CANCEL TRANSACTION_TIMEOUT command at the ACMSDBG> prompt when you have already set a transaction timeout period. Use the command when you have finished testing your transaction timeout handling.

Example

```
ACMSDBG> CANCEL TRANSACTION_TIMEOUT
```

This example shows how to cancel the current transaction timeout.

DEPOSIT Command

Puts a value into a workspace field.

Format

```
DEPOSIT [/qualifiers] workspace-field-name=value
```

Parameters

workspace-field-name

The name of a field in a workspace defined for the task. The value parameter is put into this field. Use the symbol for current location (.) to indicate that the field named in the last DEPOSIT or EXAMINE command is the field in which to put a value.

value

The data put into the workspace field. The qualifiers used with the DEPOSIT command define the length and data type of the value.

Qualifiers

When the Task Debugger receives a DEPOSIT command, it passes that command directly to the OpenVMS Debugger. The qualifiers for the DEPOSIT command are the same qualifiers available for the DEPOSIT command for the OpenVMS Debugger. These qualifiers determine the data type used to display the information in the workspace field. See *OpenVMS Debugger Manual* for a list of available qualifiers.

Notes

You can use the DEPOSIT command only if a task is active.

Both the Task Debugger and the OpenVMS Debugger look at the same copy of the workspace. If you change a workspace value from the Task Debugger (ACMSDBG>), you see the changes in the OpenVMS Debugger; if you change a workspace value from the OpenVMS Debugger (DBG>), you see the changes in the Task Debugger.

Example

```
ACMSDBG> DEPOSIT RESERVATION_NUMBER = "000121"
```

This example shows how to deposit the 6-byte ASCII value 000121 in the RESERVATION_NUMBER field.

EXAMINE Command

Displays the contents of a workspace field.

Format

```
EXAMINE [/qualifiers] workspace-field-name [OF workspace-record-name]
```

Parameters

workspace-field-name

The workspace field to be read by the EXAMINE command. Use the symbol for current location (.) to indicate that the field named in the last DEPOSIT or EXAMINE command is the field you want to examine.

workspace-record-name

If the workspace-field-name is not unique, use the workspace-record-name to specify the name of the workspace that contains the field you want to examine.

Qualifiers

When the ACMS Task Debugger receives an EXAMINE command, it passes that command directly to the OpenVMS Debugger. The qualifiers for the EXAMINE command are the same qualifiers as for the EXAMINE command for the OpenVMS Debugger. These qualifiers determine the data type used to display information in the workspace field. See *OpenVMS Debugger Manual* for a list of available qualifiers.

Notes

You can use the EXAMINE command only if a task is active.

Both the ACMS Task Debugger and the OpenVMS Debugger look at the task's copy of a workspace.

Example

```
ACMSDBG> EXAMINE RESERVATION_NUMBER OF VR_RECORD  
RESERVATION_NUMBER OF VR_RECORD: +121
```

This example shows how to display the contents of the RESERVATION_NUMBER field of the VR_RECORD workspace.

EXIT Command

Ends the debugging session or ends the execution of commands in a command procedure. If typed after the ACMSDBG> prompt, the EXIT command stops all subprocesses started by the Task Debugger and returns to DCL command level. If included in a command procedure, the EXIT command returns control to the command stream that started the command procedure.

Format

EXIT

Example

```
ACMSDBG> EXIT
```

This example shows how to end the current Task Debugger session.

GO Command

Continues a task after a breakpoint. Also returns you to a server process from which you have exited with `Ctrl/G` and continues any command after an `INTERRUPT` command.

Format

GO

Note

The GO command always restarts the task at the breakpoint where it stopped.

Examples

1. ACMSDBG> SELECT VR_RESERVE_TASK
Task breakpoint at VR_RESERVE_TASK\TASK\BEGIN
ACMSDBG> GO

This example shows how to start the task `VR_RESERVE_TASK`, which breaks at `BEGIN` on the root step. The GO command restarts the task `VR_RESERVE_TASK` at that breakpoint.

2. ACMSDBG> INTERRUPT VR_SERVER
Task is in server VR_SERVER
DBG> SET BREAK UPDATE_RECORD
DBG> GO
`Ctrl/G`
ACMSDBG> GO

This example shows how to return to the OpenVMS Debugger prompt (DBG>) so that you can set breakpoints or use other OpenVMS Debugger commands in the server `VR_SERVER`. The example then shows how to return to the ACMSDBG> prompt and resume task execution.

HELP Command

Displays information about ACMS Task Debugger commands, step points, control characters, and symbols.

Format

```
HELP [topic] [...]
```

Parameter

topic

A Task Debugger command, step point, or symbol about which information is available. Topics can have subtopics about which additional information is available.

Examples

1. ACMSDBG> HELP

This example shows how to display general information about the Task Debugger.

2. ACMSDBG> HELP EXAMINE

This example shows how to display information about how to use the Task Debugger EXAMINE command.

INTERRUPT (ACMSDBG>)

INTERRUPT Command

Interrupts a server and gives control to the OpenVMS Debugger in that server process. Use this command to get the DBG> prompt in order to set breakpoints, examine addresses, or change values in a server that has already been started.

Format

```
INTERRUPT server-name [/qualifiers]
```

Command Qualifier	Default
/[TASK=task-name]	None

Parameter

server-name

The name of a server in the task group definition. This parameter is required.

Qualifier

/TASK

A called task that participates in a distributed transaction started by a parent task might need to use the same server as the parent task. In a distributed transaction, different server processes are started and allocated to the parent and to the called tasks. The /TASK qualifier allows you to specify the server process that you want to interrupt.

If you do not specify a task name, ACMS checks for an active task:

- If there is an active task, and the task has context in an instance of the specified server, ACMS interrupts that instance of the server.
- If no task is active, or if the active task does not have context in the specified server, ACMS interrupts the first free instance of the specified server. The first free server instance is the process that ACMS uses the next time a task calls a procedure in this server.

If you specify a task name, then ACMS interrupts the server process currently owned by that task. If the named task is not currently retaining context in the named server, this command returns an error.

If you debug a recursive task, supplying a task name does not have any effect; the /TASK qualifier is ignored and the rules for interrupting a server when no task name is supplied are followed.

Notes

The START server command must be completed before interrupting the server. If you use **Ctrl/G** to return to the ACMSDBG> prompt before the server is completely started, you will not be able to complete the server startup and will experience unpredictable results.

When you finish with your debugging commands, type GO to resume the execution of the server. Then press **Ctrl/G** to end the INTERRUPT command and return to the Task Debugger ACMSDBG> prompt.

SELECT (ACMSDBG>)

When linking server images that you are going to debug, take the default of /TRACEBACK. If you link a server with /NOTTRACEBACK, you cannot interrupt the server because the INTERRUPT command causes a fatal error in the server. Instead, use the STOP command to stop the server and return to the ACMSDBG> prompt. You can then relink and restart the server.

Example

```
ACMSDBG> INTERRUPT VR_SERVER
Task is in server VR_SERVER
DBG> SET BREAK UPDATE_RECORD
DBG> GO
Ctrl/G
ACMSDBG>
```

This example shows how to return to the OpenVMS Debugger prompt (DBG>) so that you can set breakpoints or use other OpenVMS Debugger commands in the server VR_SERVER. The example also shows how to return to the ACMSDBG> prompt in order to resume task execution.

SET BREAK (ACMSDBG>)

SELECT Command

Selects and starts a task.

Format

```
SELECT task-name [selection-string]
```

Parameters

task-name

The name of the task selected, which is assigned in the task group definition. This parameter is required.

selection-string

Additional information the Task Debugger passes to the task in the ACMS\$SELECTION_STRING workspace. Enclose the selection string in quotation marks if the data has embedded spaces.

Note

Select only one task at a time. If a selected task has not completed yet, use CANCEL TASK to end that task before selecting another.

Examples

1. ACMSDBG> SELECT VR_RESERVE_TASK

This example shows how to select and start the VR_RESERVE_TASK.

2. ACMSDBG> SELECT VR_RESERVE_TASK 000121

This example shows how to start the VR_RESERVE_TASK. It also shows how to pass the decimal number 000121 to the ACMS\$SELECTION_STRING workspace.

SET BREAK Command

Sets a breakpoint in a task. Breakpoints can be set at specific locations or at specific events.

Table 7–3 contains location breakpoint symbols. Table 7–4 contains event breakpoint symbols.

Format

```
SET BREAK task-name\step-name\location
```

```
SET BREAK task-name\event
```

Parameters

task-name

Always include a task name in the SET BREAK command.

step-name

The step in the task at which a breakpoint is set.

If you omit the step-name in a location breakpoint, the break is set at the root step.

location

Location breakpoint symbols are \$BEGIN, \$ACTION, \$HANDLER, and \$END.

If you omit the location, the breakpoint is set at the beginning of the step.

event

Event breakpoint symbols are \$EXCEPTION and \$CANCEL.

Notes

You can use the SET BREAK command from the ACMSDBG> prompt only to set breakpoints in the task definition. Use the SET BREAK command from the DBG> prompt to set breakpoints in user procedure code.

You can set breakpoints for tasks that are not active.

Examples

1. ACMSDBG> SET BREAK VR_RESERVE_TASK

In this example, a breakpoint is set at the beginning of the VR_RESERVE_TASK.

2. ACMSDBG> SET BREAK VR_RESERVE_TASK\ \$STEP_1 \ \$BEGIN

In this example, a location breakpoint is set at the beginning of the first step in VR_RESERVE_TASK.

3. ACMSDBG> SET BREAK VR_RESERVE_TASK \ \$CANCEL

In this example, a CANCEL event breakpoint is set. This breakpoint is reached when any event that causes a task cancellation occurs.

SET TRANSACTION_TIMEOUT (ACMSDBG>)

SET SERVER Command

Names the server used as the default for the ASSIGN command.

Format

```
SET SERVER server-name
```

Parameter

server-name

The name of the server, taken from the task group definition, to set as the current server for ASSIGN commands. This parameter is required.

Notes

The SET SERVER command does not affect which servers the START and STOP commands handle.

The SET SERVER command has no default.

If you do not use the SET SERVER command, you must use the /SERVER qualifier on the ASSIGN command.

Example

```
ACMSDBG> SET SERVER VR_SERVER
```

This example shows how to establish VR_SERVER as the current server for ASSIGN commands.

SET TRANSACTION_TIMEOUT Command

Sets the current transaction timeout period. This allows you to verify that your task correctly handles a transaction timeout.

Format

```
SET TRANSACTION_TIMEOUT seconds
```

Parameter

seconds

The number of seconds to set as the current transaction timeout limit. This parameter is required.

Notes

If you do not set a transaction timeout, your transactions will never time out.

Once a transaction timeout limit is set using this command, if a transaction does not complete in the specified amount of time, the Task Debugger raises a transaction exception.

Example

```
ACMSDBG> SET TRANSACTION_TIMEOUT 60
```

This example shows how to establish 60 seconds as the transaction timeout limit.

SHOW SERVERS (ACMSDBG>)

SHOW BREAK Command

Displays breakpoints that have been set in the task.

Format

```
SHOW BREAK
```

Example

```
ACMSDBG> SHOW BREAK
```

This example shows how to display all breakpoints that you have set (and not yet canceled) in the task during the current Task Debugger session.

SHOW SERVERS Command

Displays all servers that have started (and not stopped) in the current Task Debugger session.

Format

```
SHOW SERVERS
```

Example

```
ACMSDBG> SHOW SERVERS  
VR_SERVER
```

This example shows that VR_SERVER is the only server currently running in this Task Debugger session.

SHOW VERSION (ACMSDBG>)

SHOW TRANSACTION_TIMEOUT Command

Displays the value of the current transaction timeout.

Format

```
SHOW TRANSACTION_TIMEOUT
```

Example

```
ACMSDBG> SHOW TRANSACTION_TIMEOUT  
Transaction timeout value is 60 seconds
```

This example shows how to display the transaction timeout currently set.

SHOW VERSION Command

Displays the version number of the Task Debugger.

Format

```
SHOW VERSION
```

Example

```
ACMSDBG> SHOW VERSION  
ACMS Task Debugger V5.0
```

This example shows how to display the version number of the Task Debugger image that the user is running.

STEP (ACMSDBG>)

START Command

Starts one or more instances of one or more servers.

Format

```
START [/qualifier] [server-name] [...]
```

Command Qualifier	Default
/ALL	None

Parameter

server-name

The name of one or more servers, from the task group definition. Separate multiple server names with commas.

In most cases, you need only one instance of a server to be active. The instance that is started is used by each task that uses that server.

In a distributed transaction, however, a called task that participates in a distributed transaction started by a parent task might need to use the same server as the parent task. Different server processes are started and allocated to the parent and the called task. You can use the **START** command to start multiple instances of the same server.

Qualifier

/ALL

Starts all reusable servers defined in the task group database (.TDB) being used for the current debugger session.

Notes

Always include either a server name or **/ALL** in the **START** command.

The servers named in the **START** command go through startup as if you were starting them with the **ACMS/START APPLICATION** command. The Task Debugger runs all initialization procedures and allocates group workspaces. If the server image was linked with **/DEBUG**, the **START** server command gives control to the OpenVMS Debugger in the server process.

The number of active server processes allowed for the debugging session is limited. A user is allowed up to four times the number of servers defined in the task group that is being debugged. The number of server instances allowed per server, however, is unlimited. If a task group has two servers, for example, you have can eight server instances started. If need be, you can have eight instances of one server and none of the other.

Examples

1. ACMSDBG> START VR_SERVER,VR_SERVER

This example shows how to start two processes for the server **VR_SERVER**.

STEP (ACMSDBG>)

2. ACMSDBG> START/ALL

This example shows how to start one instance of all servers defined in the task group database file (.TDB) used in the current debugger session.

STOP (ACMSDBG>)

STEP Command

Runs the task from the current breakpoint to the next task-level breakpoint. When stepping through a task that was called by another task, the Task Debugger proceeds through all the steps in the called task until the task completes. Control then returns to the parent task; continue to enter the STEP command for the Task Debugger to step through the parent task.

Format

STEP

Note

This command is valid only when you select a task using the SELECT or ACCEPT commands.

Example

```
ACMSDBG> STEP
```

This example shows how to move the current task to the next task-level breakpoint.

STOP Command

Stops one or more servers.

Format

```
STOP [/qualifier] [server-name][,...]
```

Command Qualifier	Default
/ALL	None

Parameter

server-name

The name of the server to stop. The name of the server comes from the task group definition. Separate multiple server names with commas.

Qualifier

/ALL

Stops all instances of all servers included in the task group database file (.TDB) used in the current debugger session.

Notes

Use either the server-name parameter or the /ALL qualifier. If you use the server-name parameter, ACMS stops a single server process and displays a message if other server processes remain active for the same server.

The servers named in the STOP command go through shutdown as if you were stopping them with the ACMS/STOP APPLICATION command. All termination procedures are run.

Examples

1. ACMSDBG> STOP VR_SERVER,VR_UPDATE_SERVER

This example shows how to stop the servers VR_SERVER and VR_UPDATE_SERVER.

2. ACMSDBG> STOP /ALL

This example shows how to stop all servers defined in the task group database file (.TDB) used in the current debugger session.

Part III

Interoperability with Third-Party Databases: Oracle Case Study

This part of the manual describes how *HP ACMS for OpenVMS* transaction processing (TP) software works with third-party database managers, with code examples given for the Oracle database manager.

Overview of ACMS and Oracle

This chapter provides background on ACMS and discusses how ACMS and third-party database managers (such as Oracle) can be integrated. It also specifically answers the following questions:

- Why would you want to use HP and ACMS?
- What are the basic concepts for ACMS?
- How do you use ACMS with third-party databases?
- How do you integrate ACMS with Oracle databases?

11.1 Why Use HP and ACMS?

When you read articles and business school case studies on companies that remain competitive year after year, decade after decade, you typically find a common denominator for those companies: they remained flexible enough to change the way they did business to suit the current business environment. If information is critical to the operation of your business, don't you need that same advantage of flexibility?

HP offers you computing solutions that fit for today and for the future as well. Because HP is the premier vendor in interoperability and networking, flexibility means the ability to:

- Use the appropriately sized (and therefore appropriately priced) computer system for different business needs. HP's ACMS system runs on all OpenVMS machines, from the smallest desktop to the largest mainframe. Every one of these machines can interoperate with Oracle databases.
- Define the level of availability that your business needs. You can create clustered and fault-tolerant hardware configurations to ensure continuous hardware operations. ACMS provides for application failover to ensure continuous software operations.
- Integrate your existing systems into the ACMS environment to protect your current investment. The HP TP Desktop Connector (formerly ACMS Desktop) product allows additional clients (using a client/server approach with systems such as DOS, Macintosh®, SCO™ UNIX®, and ULTRIX systems) and additional presentation managers (such as Microsoft® Windows, HyperCard®, and Motif®) to be connected to ACMS. These connections can be made over existing networks such as HP's PATHWORKS and Novell® NetWare®.
- Move computing to the right location. With ACMS, you can either keep your business data and processing in a central location or distribute it throughout your corporation.

Overview of ACMS and Oracle

11.1 Why Use HP and ACMS?

- Interoperate with HP and third-party databases. ACMS coordinates the activities of end users against the database, helping to reduce database and lock contention. For environments that have a large number of users, ACMS is crucial for high performance and security.

With HP, flexibility means the choice is yours!

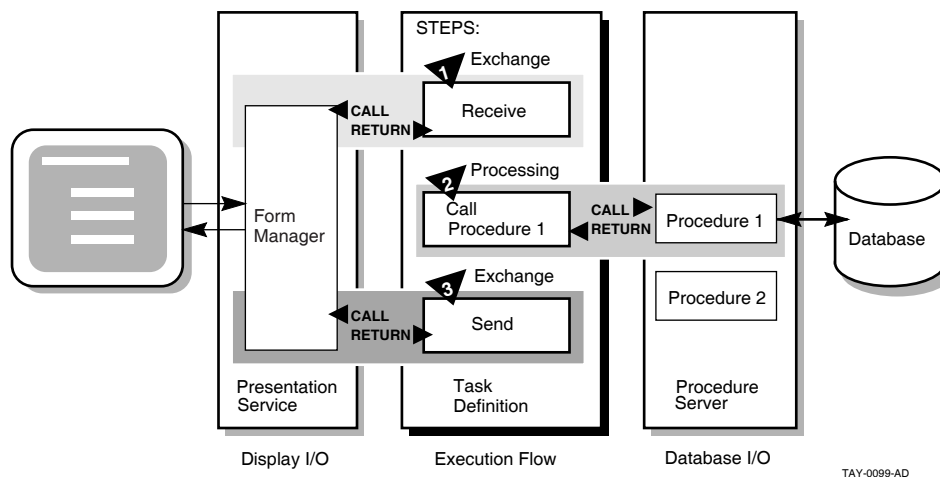
11.2 Introduction to Developing ACMS Applications

An ACMS application consists of a set of tasks that relate to the functions of a business. A **task** is the unit of work that a user selects from an ACMS menu. Each task usually comprises a sequence of steps that perform this unit of work. You use the ACMS **task definition language** (TDL) to define tasks.

Figure 11–1 illustrates the basic principles of the ACMS TDL used to write a task definition.

The task definition specifies an interface to the presentation service (forms management system) for communication with a terminal or other device. The task definition also specifies an interface to a **procedure server** for executing procedures (user-written subroutines) that handle database I/O and computational work.

Figure 11–1 Execution Flow of an ACMS Task Definition



The semantics of the ACMS task definition language are based on a call and return model. The task definition performs calls to the presentation service in **exchange steps**, and to the procedure server in **processing steps**. The presentation service and procedure server perform a function and return control to the task definition. Upon return of control to the task definition, subsequent parts of a step can evaluate the results of the call and, if necessary, handle any error conditions.

In Figure 11–1, for example:

1. In the first exchange step, the task definition calls the presentation service to display a form on the terminal screen (for example, a form to add a new employee record to a database). When the terminal user finishes filling in the form, the user presses a specified key (or keys) that returns the input data to the task definition.

Overview of ACMS and Oracle

11.2 Introduction to Developing ACMS Applications

2. In the processing step, the task definition then calls Procedure 1 in the procedure server to write that input data to the database. Procedure 1 then returns its results (either success or failure). If Procedure 1 succeeds, the task ends with a success status. If Procedure 1 fails to write to the database, the task continues executing at step 3.
3. In the second exchange step, the task definition calls the presentation service to send an error message to the terminal screen (for example, that the employee number of the new record duplicates an existing employee number). The presentation service then returns control to step 3, which ends the task.

By keeping exchange and processing steps as distinct steps within an ACMS task, ACMS allows for the separation of forms (end-user interaction) from function (database access, computation, and execution control). This means that you can easily distribute end-user processing while maintaining centralized data control.

11.2.1 Writing ACMS Definitions

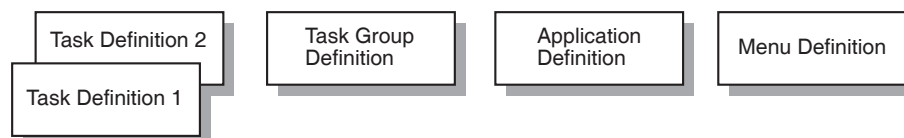
The ACMS task definition language allows you to write an ACMS definition as a series of simple, English-like statements. The four types of ACMS definitions are:

- A **task definition** describes, in steps, the work to be accomplished in the task. For example, a task can collect information from a user and call a procedure to store the information in a file or database.
- A **task group definition** specifies similar tasks for control purposes and defines resources common to all tasks in the group.
- An **application definition** describes the environment and control characteristics of tasks and task groups.
- A **menu definition** describes how users access tasks in one or more applications.

You build the task, task group, and application definitions into binary files that run as an application under the control of the ACMS run-time environment. You build a menu definition into a binary file that is not necessarily tied to a single application.

Figure 11–2 illustrates the ACMS development components for a simple ACMS application with two tasks (for example, one to add a new employee record to a database, and one to update an existing employee record).

Figure 11–2 ACMS Application Components



TAY-0014-AF

Figure 11–2 does not show that there can be more than one task group definition specified for a single application. Also, more than one menu definition can specify tasks that point to the same application. Conversely, a single menu definition can specify tasks in different applications.

Overview of ACMS and Oracle

11.2 Introduction to Developing ACMS Applications

Because ACMS applications are modular, you develop each part of an application independently. Built-in modular design based on English-like syntax statements means that ACMS applications are easy to structure and easy to maintain. Furthermore, modularity means that you can easily update an application module without affecting the entire application.

11.2.2 Composition of ACMS Definitions

A task definition controls the exchange of information with the user, and the processing of that information against the file or database. Each ACMS task definition is made up of one or more steps. ACMS breaks the work to be accomplished by a task into two types of steps:

- Exchange steps usually interact with the Form Manager to handle forms I/O (that is, the exchange of information between the task and the user). An exchange step can interact with DECforms or TDMS forms, or interface with other devices using the ACMS Request Interface or the ACMS Systems Interface for communicating with nonstandard devices. Figure 11–1 illustrates an execution flow with two exchange steps.
- Processing steps call **step procedures** (user-written subroutines) to handle computations and interactions with databases or files, typically using procedures written in a high-level programming language (any language adhering to the OpenVMS Calling Standard). ACMS uses two types of servers: procedure servers for executing a procedure, and Digital Command Language (DCL) servers for invoking images or DCL commands. Figure 11–1 illustrates an execution flow with one processing step.

A server process may perform an initialization routine of common work when the server is started, rather than each time a task is selected. ACMS manages pools of servers to save on process creation and image activation.

Servers are single-threaded and serially reusable. A single server process can be called by many different ACMS tasks in a serial fashion. Once a call is complete, the server is then available to be called by another ACMS task. Reusable servers in a single process means that the performance in the processing of your transactions is greatly enhanced.

When ACMS starts a processing step, it allocates a **procedure server process** to a task to execute the procedure in that step. This single-threaded process remains allocated to the task for the duration of one or more processing steps.

In ACMS, a **workspace** is a buffer used to pass data between the task and processing steps, and between the task and exchange steps.

Task group definitions combine similar tasks of an application that need to share common resources such as workspaces, HP DECforms forms, and procedure servers.

The application definition describes:

- Task groups that belong to an application
- Characteristics that control the tasks, such as security restrictions on which users can select a particular task
- Servers, such as the number of server processes that can be active at the same time

Overview of ACMS and Oracle

11.2 Introduction to Developing ACMS Applications

- Application characteristics, such as whether application activity is recorded in the audit trail log

Menu definitions list both tasks and additional menus that a user can select from a menu. For example, the tasks on a menu can include adding new employee records, displaying employee information, and entering labor data.

When you write definitions for ACMS tasks, ACMS automatically stores the definitions in a CDD dictionary. At run time, the definitions are represented in binary form in databases defined by ACMS. For example, a task group definition is represented by a task group database that contains a binary representation of the task group definition.

11.3 Introduction to Using ACMS with Third-Party Databases

ACMS allows the use of any HP or third-party database manager that can be called using 3GL languages that adhere to the OpenVMS Calling Standard (such as COBOL, FORTRAN, and C).

To understand the area of an ACMS application that is affected by use of third-party databases, refer to Figure 11–1. Because ACMS is modular, the execution flow (ACMS task definitions) and display I/O (forms management code) are for the most part similar regardless of whether you use HP's or third-party databases. The key difference is with the location of a few database statements.

When you write ACMS task definitions that access Rdb databases, you can embed database recovery, transaction setting or rollback, and commit statements within the task definition. When using other third-party databases, these functions must reside in the 3GL procedures that perform database access. Thus, the ACMS application components that are most affected by the use of other third-party databases (that is, other than Rdb) are the 3GL procedures that perform database access (labeled Procedure 1 in the Database I/O portion of Figure 11–1).

Depending on the features and capabilities of a particular third-party database (other than Rdb), there may be other restrictions. For example, a particular database may use its own internal data dictionary to store database metadata, and that metadata cannot be integrated with the CDD data dictionary (such is the case with Oracle). This manual points out the key restrictions with Oracle databases; for other third-party databases (other than Oracle and Rdb), you must look at the documentation for that database to determine restrictions that might apply when it interoperates with an ACMS environment.

11.4 How Do You Use ACMS with Oracle?

When using Oracle as a database manager with ACMS, you can use the existing 3GL code that accesses the Oracle database with little modification. The main modification is to cut the Oracle application code into smaller, more focused modules to fit with the ACMS approach to procedure servers. ACMS uses four types of procedures:

- Step procedures
- Initialization procedures
- Termination procedures
- Cancel procedures

Overview of ACMS and Oracle

11.4 How Do You Use ACMS with Oracle?

A programmer who has been writing 3GL code in an Oracle environment without a TP monitor must group the functions of the code into different servers. In an Oracle database environment, a step procedure might be used to perform database read and write operations; an initialization procedure might be used to make connections to a particular Oracle instance; a termination procedure might close those connections to a particular Oracle instance made by the initialization procedure; and a cancel procedure might perform some type of database clean-up after a user cancels an operation already begun.

Typically, similar read-intensive database modules are gathered into a group of step procedure images, while write-intensive database modules are gathered into a different group of step procedure images. This helps to control database locking contention.

Although the structure of existing 3GL code for an Oracle application needs to be reorganized for ACMS, the 3GL code itself does not need to be modified significantly (if at all). Good server design is one of the crucial steps in writing a powerful ACMS application. The ACMS documentation describes ACMS server design and development in detail.

In addition to making your 3GL code more modular, the following functions must remain in the 3GL procedure: database recovery, transaction setting or rollback, and commit functions. (If you have an existing Oracle application, these functions are probably already in your 3GL procedures.)

There are three methods to access an Oracle database using 3GL code:

- Embedded SQL
SQL code that is preceded by an EXEC SQL clause in the 3GL module.
- PL/SQL
An extension to SQL that supports procedural constructs, variable declaration, and robust error handling.
- OCIs
Oracle Call Interfaces that allow high-level language applications access to data by directly calling subroutines contained in language-specific Oracle run-time libraries.

When you create 3GL modules, keep in mind that the Oracle Corporation provides precompilers for the following HP programming languages:

- Ada
- C
- COBOL
- FORTRAN
- Pascal
- PL/I

With an Oracle database, data definitions (metadata) are stored in an internal data dictionary that resides in the database. With ACMS and other layered products, metadata is stored in a central location in CDD and then used by the various layered products. To use an Oracle database with ACMS, you must maintain metadata in both CDD and the Oracle database.

Overview of ACMS and Oracle

11.4 How Do You Use ACMS with Oracle?

The sample application in Chapter 12 provides code examples (with accompanying descriptions) of 3GL code that accesses an Oracle database using embedded SQL.

Implementation Details of the Sample Application

This chapter contains parts of a sample application that shows how ACMS, by using Oracle as its database manager, can access third-party databases (other than Rdb). The sample is based on a simple car reservation system used by a fictional company named AVERTZ. The complete AVERTZ application is described in the ACMS documentation set.

The AVERTZ sample application is an example of how transaction processing can solve a business problem. The AVERTZ company has rental offices at many sites in different regions and their clerks need to reserve vehicles at any site in any region. The AVERTZ application consists of functions that allow users to view and update all the data necessary to make automobile rental reservations and maintain information on customers. (A modified subset of AVERTZ has been used in this book. The sample has been modified to exclude two-phase database commit functions, which cannot be used when interoperating with Oracle).

The VR_DISPLAY_SITES_TASK task definition, which is included and described in this manual, displays site and region information. This task is called from another task in the application. The VR_DISPLAY_SITES_TASK task uses a server process to access the Oracle database and retrieve the regions in the database so that the regions can be displayed using DECforms. After the user selects a region, the task calls a server procedure (VR_GET_SITES_PROC, also included and described in this manual) to access the Oracle database to retrieve site data, which AVERTZ displays using DECforms. The user then selects a particular rental site, and the necessary information is passed back to the calling task, where it is processed further.

12.1 Execution Flow of the Sample Task

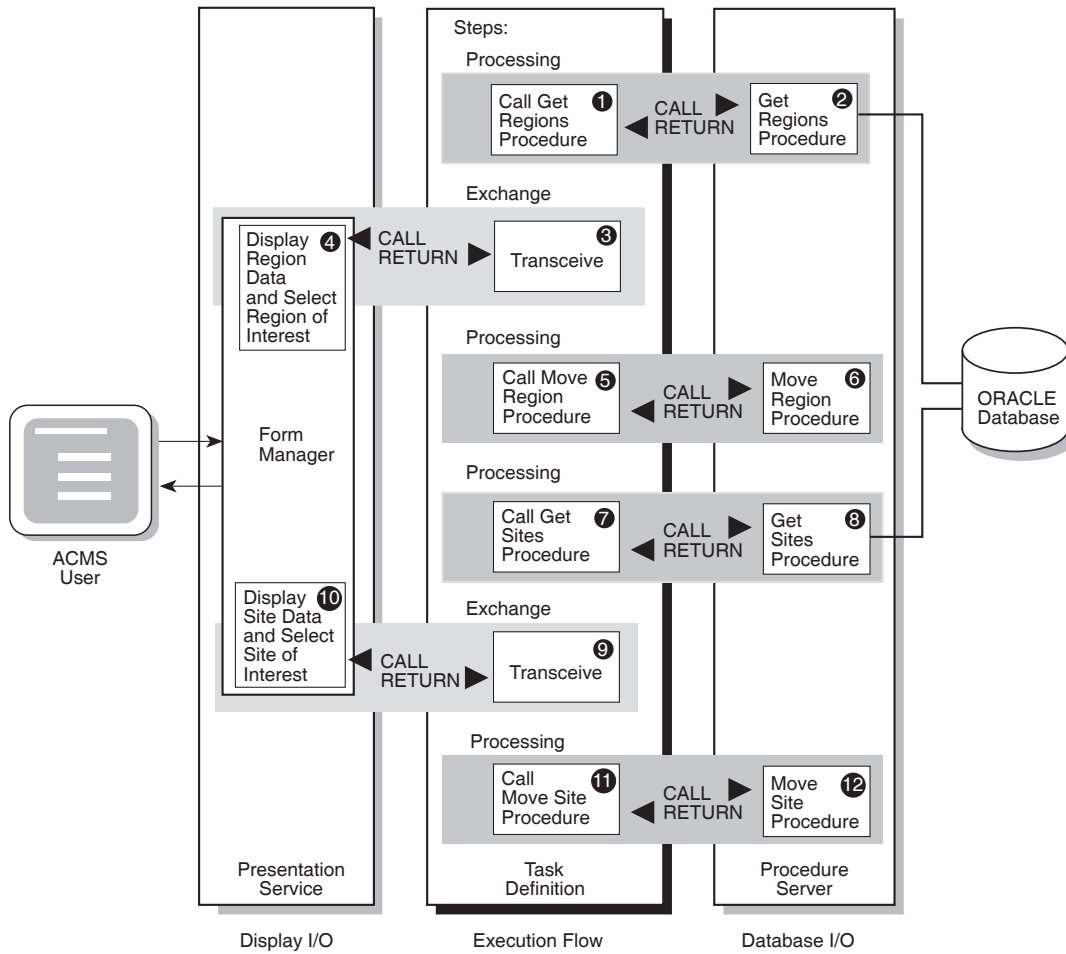
Figure 12–1 shows how the task definition in this sample controls the flow of work between the user and the Oracle database.

- 1 Processing step in the task calls the COBOL server procedure with embedded Oracle SQL.
- 2 COBOL procedure accesses the Oracle database to read all regions and passes the data back to the task.
- 3 Exchange step in the task calls the DECforms form that displays the list of regions.
- 4 HP DECforms form allows the user to select a region to have its sites displayed and returns that region data to the task.

Implementation Details of the Sample Application

12.1 Execution Flow of the Sample Task

Figure 12–1 Execution Flow of the Sample Task



TAY-0030-AF

- 5 Processing step in the task calls the server procedure that moves data between workspaces.
- 6 COBOL procedure moves the data related to the region of interest from the region array workspace into the sites workspace.
- 7 Processing step in the task calls the COBOL server procedure with embedded SQL.
- 8 COBOL procedure accesses the Oracle database to read all sites for a particular region and passes the data back to the task.
- 9 Exchange step in the task calls the HP DECforms form that displays the list of sites.
- 10 HP DECforms form allows the user to select a site and returns that site data to the task.
- 11 Processing step in the task calls the server procedure that moves the data between workspaces.
- 12 COBOL procedure moves the data related to the site of interest from the sites array workspace into the sites workspace.

Implementation Details of the Sample Application

12.1 Execution Flow of the Sample Task

The sample application is comprised of over 40 separate pieces of code. Although at first glance this might seem like a lot of code, remember that ACMS code is very modular, and these modules contain relatively small amounts of code. This modularity allows the reuse of modules as building blocks when creating other applications.

The following AVERTZ modules are described in this manual:

- VR_DISPLAY_SITES_TASK task definition, which controls the flow of work at run time for the display and selection of sites
- VR_GET_SITES_PROC COBOL procedure, which has embedded SQL to access the Oracle database for a list of a specific region's sites
- AVERTZ_VR_APPLICATION application definition, which is an ACMS TDL file that defines the run-time characteristics of the application
- VR_TASK_GROUP task group definition, which is an ACMS TDL file that defines the resources available to the tasks in the group
- ACMS_SAMPLE_MENU menu definition, which is an ACMS TDL file that allows users to select tasks to run or additional menus to display
- VR_INIT COBOL initialization procedure, which makes the connection for the server to the Oracle database instance
- VR_TERM COBOL termination procedure, which terminates the connection to the Oracle database instance that was made with the initialization procedure

The code for these files is contained in the following sections, along with an explanation of what is happening in each file.

12.1.1 Task Definition

Example 12–1 shows the ACMS task definition (VR_DISPLAY_SITES_TASK) that uses exchange steps to display the region and site data, and collects the user's selection of a particular region and a particular site. This task definition coordinates all the steps shown in the task definition in Figure 12–1 (labeled execution flow). The task uses processing steps to call COBOL procedures, which perform the database I/O to the Oracle database and move data between workspaces.

Table 12–1 describes the coding in the VR_DISPLAY_SITES_TASK task definition in more detail.

Example 12–1 VR_DISPLAY_SITES_TASK Task Definition

```
REPLACE TASK VR_DISPLAY_SITES_TASK TSK1
WORKSPACES ARE VR_CONTROL_WKSP, TSK2
                VR_RE_ARRAY_WKSP,
                VR_SI_ARRAY_WKSP,
                VR_SITES_WKSP,
                VR_MSG_WKSP;
TASK ARGUMENTS ARE VR_CONTROL_WKSP WITH ACCESS READ, TSK3
                  VR_SITES_WKSP WITH ACCESS MODIFY,
                  VR_MSG_WKSP WITH ACCESS MODIFY;
```

(continued on next page)

Implementation Details of the Sample Application

12.1 Execution Flow of the Sample Task

Example 12–1 (Cont.) VR_DISPLAY_SITES_TASK Task Definition

```

DEFAULT SERVER IS VR_SERVER;                                TSK4
DEFAULT FORM IS VR_DISPLAY_SITES_FORM;                    TSK5

LOCAL;                                                    TSK6

BLOCK WORK WITH FORM I/O IS                                TSK7
  IF (VR_CONTROL_WKSP.CTRL_KEY = " FREG") THEN
    BLOCK WORK IS

      GET_REGIONS:
        PROCESSING WORK IS                                TSK8
        CALL VR_GET_REGIONS_PROC USING VR_RE_ARRAY_WKSP;

        ACTION IS                                        TSK9
          CONTROL FIELD ACMS$T_SEVERITY_LEVEL
            "S"      : GOTO STEP SELECT_REGION;
            "W"      : MOVE VR$_RERECNOTFND TO VR_MSG_WKSP.STATUS,
                      "W" TO VR_MSG_WKSP.SEVERITY_LEVEL;
                      EXIT TASK;
          NOMATCH   : MOVE VR$_DB_FATAL TO VR_MSG_WKSP.STATUS,
                      "F" TO VR_MSG_WKSP.SEVERITY_LEVEL;
                      EXIT TASK;
          END CONTROL FIELD;

      SELECT_REGION:
        EXCHANGE WORK IS                                TSK10
        TRANSCEIVE RECORD RE_ARRAY_FORM_REC, RE_ARRAY_FORM_REC
          IN VR_DISPLAY_SITES_FORM
          SENDING VR_RE_ARRAY_WKSP
          RECEIVING VR_RE_ARRAY_WKSP
          WITH RECEIVE CONTROL VR_CONTROL_WKSP;

        ACTION IS                                        TSK11
          CONTROL FIELD IS VR_CONTROL_WKSP.CTRL_KEY
            " FQUT" : MOVE VR$_RERECNOTFND TO VR_MSG_WKSP.STATUS,
                      "W" TO VR_MSG_WKSP.SEVERITY_LEVEL;
                      EXIT TASK;
          END CONTROL FIELD;

      MOVE_REGION:
        PROCESSING WORK IS                                TSK12
        CALL VR_MOVE_RE_PROC USING VR_RE_ARRAY_WKSP, VR_SITES_WKSP;

        ACTION IS                                        TSK13
          CONTROL FIELD IS ACMS$T_STATUS_TYPE
            "B"    : CANCEL TASK RETURNING ACMS$L_STATUS;
          END CONTROL FIELD;

    END BLOCK WORK;
  END IF;

GET_SITES:
  PROCESSING WORK IS                                    TSK14
  CALL VR_GET_SITES_PROC USING VR_SITES_WKSP,VR_SI_ARRAY_WKSP;

  ACTION IS                                            TSK15
    CONTROL FIELD ACMS$T_SEVERITY_LEVEL
      "S"      : GOTO STEP SELECT_SITE;
      "W"      : MOVE VR$_SIRECNOTFND TO VR_MSG_WKSP.STATUS,
                  "W" TO VR_MSG_WKSP.SEVERITY_LEVEL;
                  EXIT TASK;
    NOMATCH   : MOVE VR$_DB_FATAL TO VR_MSG_WKSP.STATUS,
                  "F" TO VR_MSG_WKSP.SEVERITY_LEVEL;
                  EXIT TASK;
    END CONTROL FIELD;

```

(continued on next page)

Implementation Details of the Sample Application

12.1 Execution Flow of the Sample Task

Example 12–1 (Cont.) VR_DISPLAY_SITES_TASK Task Definition

```

SELECT_SITE:
  EXCHANGE WORK IS                                [TSK16]
  TRANSCEIVE RECORD SI_ARRAY_FORM_REC,SI_ARRAY_FORM_REC
              IN VR_DISPLAY_SITES_FORM
              SENDING VR_SI_ARRAY_WKSP
              RECEIVING VR_SI_ARRAY_WKSP
              WITH RECEIVE CONTROL VR_CONTROL_WKSP;

  ACTION IS                                       [TSK17]
  CONTROL FIELD IS VR_CONTROL_WKSP.CTRL_KEY
    " FQUT": MOVE VR$_SIRECNOTFND TO VR_MSG_WKSP.STATUS,
              "W" TO VR_MSG_WKSP.SEVERITY_LEVEL;
    EXIT TASK;
  END CONTROL FIELD;

MOVE_SITE:
  PROCESSING WORK IS                              [TSK18]
  CALL VR_MOVE_SI_PROC USING VR_SI_ARRAY_WKSP,VR_SITES_WKSP;

  ACTION IS                                       [TSK19]
  CONTROL FIELD IS ACMS$T_STATUS_TYPE
    "G" : MOVE "S" TO VR_MSG_WKSP.SEVERITY_LEVEL;
    EXIT TASK;
    "B" : CANCEL TASK RETURNING ACMS$L_STATUS;
  END CONTROL FIELD;

END BLOCK;
END DEFINITION;

```

Table 12–1 Description of Code for VR_DISPLAY_SITES_TASK Task Definition

Callout	Description
[TSK1]	Replaces an old CDD dictionary task definition with the current task definition or creates a new definition if one does not already exist. Section 12.4 discusses the role of the CDD dictionary.
[TSK2]	Names one or more workspaces to which the task needs access. Workspaces are buffers used to pass data between steps in a task, between a task and a procedure, between a task and a form, and between two or more tasks.
[TSK3]	Defines the workspaces that are used to pass data, with the type of access that VR_DISPLAY_SITES_TASK has to them. (Definitions are here because this task is called from another task.)
[TSK4]	Names a default server image in which to run the procedures. If this is not specified, the server must be named at each call to a COBOL routine.
[TSK5]	Names a default form to be used in the exchange steps. If this is not specified, the form name must be specified with each TRANSCEIVE call in this task.
[TSK6]	Specifies that this task can be run only when called from another task. (You cannot select this task to run independently from a menu.)
[TSK7]	Groups multiple steps as a logical unit between the BLOCK WORK and END BLOCK WORK clauses. (In this example, the block consists of two EXCHANGE steps and four PROCESSING steps.) FORM I/O is a block phrase indicating that the EXCHANGE steps use DECforms for I/O with the user.

(continued on next page)

Implementation Details of the Sample Application

12.1 Execution Flow of the Sample Task

Table 12–1 (Cont.) Description of Code for VR_DISPLAY_SITES_TASK Task Definition

Callout	Description
TSK8	Calls the COBOL procedure VR_GET_REGIONS_PROC within a PROCESSING step. The COBOL procedure performs the Oracle database inquiry and returns the region records to the ACMS task using the VR_RE_ARRAY_WKSP workspace.
TSK9	Handles potential errors that are returned from VR_GET_REGIONS_PROC.
TSK10	Calls the HP DECforms form VR_DISPLAY_SITES_FORM within an EXCHANGE step. HP DECforms uses the VR_DISPLAY_SITES_FORM to format and display all of the regions on the ACMS user's terminal. The user can also select a particular region at this point.
TSK11	Handles potential errors that are returned from the DECforms session.
TSK12	Calls the COBOL procedure VR_MOVE_RE_PROC within a PROCESSING step. The COBOL procedure moves data between workspaces.
TSK13	Handles potential errors that are returned from VR_MOVE_RE_PROC.
TSK14	Calls the COBOL procedure VR_GET_SITES_PROC within a PROCESSING step. The COBOL procedure performs the Oracle database inquiry and returns the site records to the ACMS task using the VR_SI_ARRAY_WKSP workspace.
TSK15	Handles potential errors that are returned from VR_GET_SITES_PROC.
TSK16	Calls the HP DECforms form VR_DISPLAY_SITES_FORM within an EXCHANGE step. DECforms uses the VR_DISPLAY_SITES_FORM to format and display all the sites on the ACMS user's terminal. The user can select a particular site at this point.
TSK17	Handles potential errors that are returned from the DECforms session.
TSK18	Calls the COBOL procedure VR_MOVE_RE_PROC within a PROCESSING step. The COBOL procedure moves data between workspaces.
TSK19	Handles potential errors that are returned from VR_MOVE_SI_PROC.

Keep the following in mind so that your task definition code is interoperable:

- You cannot use the SQL RECOVERY phrase, which establishes an SQL recovery unit at the beginning of a block or processing step. The SQL RECOVERY phrase includes various types of SET TRANSACTION statements that are incompatible with an Oracle database.
- You cannot use the COMMIT and ROLLBACK phrases. Because these statements signal the end of the transaction established with an SQL RECOVERY statement, they are incompatible with an Oracle database.

As of ACMS Version 3.2, these statements (SQL RECOVERY, COMMIT and ROLLBACK) are considered declining features of ACMS TDL anyway.

12.1.2 Form Definition

Because of the modularity of the components of ACMS, there are no Oracle-specific issues that relate to the generation of a HP DECforms form.

HP DECforms code is typically not hand-generated, but rather is generated by the HP DECforms Forms Development Environment, an easy-to-use interface for forms generation.

Implementation Details of the Sample Application

12.1 Execution Flow of the Sample Task

12.1.3 Read Database COBOL Step Procedure

The COBOL procedure (VR_GET_SITES_PROC) in Example 12–2, which is a processing step procedure that becomes part of the VR_SERVER procedure server, performs the Oracle database access necessary to return an array of site data back to the task.

Keep the following points in mind when you look at the code example:

- For simplicity's sake, no robust error handling is used (although robust error handling is available with HP's ACMS and programming language products).
- Although this example of a server procedure accesses the Oracle database, it is possible to have server procedures that manipulate data only (and do not access that data from a database manager).

Note

Although COBOL is used in this example, users can create server procedures using any programming language that supports the OpenVMS Calling Standard and supports Oracle. This holds true for all COBOL examples in this guide.

Writing procedures is fully described in *HP ACMS for OpenVMS Writing Server Procedures*.

Table 12–2 describes the coding in the VR_GET_SITES_PROC step procedure in more detail.

Example 12–2 VR_GET_SITES_PROC COBOL Step Procedure

```
IDENTIFICATION DIVISION.
PROGRAM-ID. VR-GET-SITES-PROC.

ENVIRONMENT DIVISION.

CONFIGURATION SECTION.
SOURCE-COMPUTER.      VAX-11.
OBJECT-COMPUTER.     VAX-11.

DATA DIVISION.

WORKING-STORAGE SECTION.

01 RET-STAT           PIC S9(9) COMP.                                [SRV1]
01 RECNOTFND         PIC S9(9) COMP VALUE IS EXTERNAL VR$_SIRECNOTFND. [SRV2]
01 DBFATAL           PIC S9(9) COMP VALUE IS EXTERNAL VR$_DB_FATAL.

      EXEC SQL                                                    [SRV3]
          BEGIN DECLARE SECTION
      END-EXEC.

01 VR_SI_IND_ARRAY.
   05 VR_SI_IND OCCURS 9 TIMES PIC S9(4) COMP.

      EXEC SQL
          END DECLARE SECTION
      END-EXEC.

01 SI-ARRAY-LIMIT     PIC S9(9) COMP VALUE IS 60.                    [SRV4]
```

(continued on next page)

Implementation Details of the Sample Application

12.1 Execution Flow of the Sample Task

Example 12–2 (Cont.) VR_GET_SITES_PROC COBOL Step Procedure

```
01 SQL-SUCCESS          PIC S9(9) COMP VALUE IS 0.           [SRV5]
01 REC-NOT-FOUND        PIC S9(9) COMP VALUE IS +100.
                           [SRV6]
      EXEC SQL
      INCLUDE AVERTZ_ORACLE_DIR:SQLCA.CBT
      END-EXEC.

LINKAGE SECTION.           [SRV7]

      EXEC SQL
      INCLUDE AVERTZ_ORACLE_DIR:VR_SITES_WKSP.LIB
      END-EXEC.

      EXEC SQL
      INCLUDE AVERTZ_ORACLE_DIR:VR_SI_ARRAY_WKSP.LIB
      END-EXEC.

PROCEDURE DIVISION USING VR_SITES_WKSP, VR_SI_ARRAY_WKSP GIVING RET-STAT.
MAIN-SECTION.             [SRV8]

      SET RET-STAT TO SUCCESS.

      EXEC SQL
      WHENEVER SQLERROR GOTO SQL-ERROR-HANDLER
      END-EXEC.

      EXEC SQL
      DECLARE SITES_ARRAY CURSOR FOR
      SELECT * FROM SITES
      WHERE SITES.CITY = :WS_CITY
      OR
      SITES.REGION_ID = :WS_REGION_ID
      ORDER BY SITES.SITE_NAME ASC
      END-EXEC.

      EXEC SQL
      WHENEVER NOT FOUND GOTO SQL-NOT-FOUND
      END-EXEC.

      EXEC SQL
      OPEN SITES_ARRAY
      END-EXEC.

      EXEC SQL
      WHENEVER NOT FOUND CONTINUE
      END-EXEC.

      SET SI_ARRAY_INDEX TO 1.

      PERFORM FILL-ARRAY THRU FILL-ARRAY-EXIT UNTIL
      (SQLCODE = REC-NOT-FOUND) OR (SI_ARRAY_INDEX > SI-ARRAY-LIMIT).

      EXEC SQL
      CLOSE SITES_ARRAY
      END-EXEC.

      EXEC SQL
      COMMIT
      END-EXEC.

      GO TO EXIT-PROGRAM.

FILL-ARRAY.
```

(continued on next page)

Implementation Details of the Sample Application

12.1 Execution Flow of the Sample Task

Example 12–2 (Cont.) VR_GET_SITES_PROC COBOL Step Procedure

```

EXEC SQL
  FETCH SITES_ARRAY INTO :WS_SITE_ID,
                        :WS_SITE_NAME,
                        :WS_FIRST_ADDRESS_LINE,
                        :WS_SECOND_ADDRESS_LINE,
                        :WS_CITY,
                        :WS_REGION_ID,
                        :WS_COUNTRY_ID,
                        :WS_POSTAL_CODE,
                        :WS_PHONE_NO

END-EXEC.

IF SQLCODE = SQL-SUCCESS
  THEN MOVE VR_SITES_WKSP TO SI_ARRAY(SI_ARRAY_INDEX) .

SET SI_ARRAY_INDEX UP BY 1.

FILL-ARRAY-EXIT.

EXIT.

SQL-NOT-FOUND.

MOVE RECNOTFND TO RET-STAT.

EXEC SQL
  ROLLBACK
END-EXEC.

GO TO EXIT-PROGRAM.

SQL-ERROR-HANDLER.

MOVE SQLCODE TO RET-STAT.

EXEC SQL
  WHENEVER SQLERROR CONTINUE
END-EXEC.

GO TO EXIT-PROGRAM.

EXIT-PROGRAM.

EXIT PROGRAM.

```

Table 12–2 Description of Code for VR_GET_SITES_PROC COBOL Step Procedure

Callout	Description
SRV1	Defines the status that is returned to the task. RET-STAT is returned to the ACMS\$L_STATUS field in the ACMS\$PROCESSING_STATUS workspace. When the value of ACMS\$L_STATUS changes, ACMS internally updates related fields, such as ACMS\$T_SEVERITY_LEVEL, which can be tested when control is returned to the task.
SRV2	Defines an external status that matches up with the message file that is used in the ACMS application. These values can then be used in the task as well.
SRV3	Declares COBOL variables that are used in the Oracle SQL statements. (These variables must be included in the DECLARE SECTION.)
SRV4	Defines the maximum number of sites (60) that can be returned to the task. This number matches the dimensions of the VR_SI_ARRAY_WKSP.
SRV5	Defines SQL status values.

(continued on next page)

Implementation Details of the Sample Application

12.1 Execution Flow of the Sample Task

Table 12–2 (Cont.) Description of Code for VR_GET_SITES_PROC COBOL Step Procedure

Callout	Description
SRV6	Includes the Oracle SQL communications area that is updated every time an SQL statement is executed.
SRV7	Includes the two workspaces that are passed back and forth between the ACMS task and this procedure. The text library includes embedded SQL DECLARE SECTION statements, because the fields in the workspaces are used in the embedded SQL statements in the 3GL code.
SRV8	Declares a cursor, opens the cursor, fetches data into the cursor and closes the cursor. Control is then returned to the task that called this procedure. This is one of the ways that this code can be distributed between the various portions of procedure server code. (Because this manual assumes Oracle experience, it does not include a detailed explanation of all of the SQL code.)

Keep the following in mind so that your 3GL server code is interoperable:

- Server processes are serially reusable, which means that there is no guarantee that one user will run the same instance of a server process consecutively. Because of this, the contents of working storage might not be the same throughout all the steps of a task for a particular user (unless server context is retained over processing steps, which is not recommended). The contents of working storage must be moved to an ACMS workspace so that the values are preserved over multiple users of a server.
- Whenever a host variable is used in an embedded SQL statement, that variable must be declared either in working storage or in the linkage section between the SQL BEGIN DECLARE SECTION and the SQL END DECLARE SECTION statements. If the variables are included in a record definition, the copied record definition must be a text record definition and not a CDD record definition. (See Section 12.4 for information about field and record definitions.)
- Oracle SQL does not include a statement like the Rdb SQL DECLARE EXTERNAL SCHEMA statement. The connection to an Oracle database is made through the logical ORA_SID, which ties a process to an instance of an Oracle database.
- The Oracle database manager performs an implicit SET TRANSACTION READ ONLY and then increments its locks when data is selected for update. The Rdb SQL SET TRANSACTION statement is replaced by the SQL CONNECT statement.
- The Oracle server code includes commits and rollbacks within the 3GL code. You cannot embed commits and rollbacks in the task TDL code as you can with Rdb. Also, you cannot use the database recovery TDL statements in the task definition.
- The ORACLE ARRAY FETCH statement is recommended, because it allows a single database read to fetch multiple rows into a cursor.

When debugging, an application developer's debugging session is different from a multiuser production environment. The application developer is a single user of that instance of the server process and, as such, is automatically guaranteed the same instance throughout the debugging session. The developer must ensure that working storage variables that need to be saved between processing steps in the task are moved into a workspace and passed back and forth between the task and the 3GL code.

Implementation Details of the Sample Application

12.1 Execution Flow of the Sample Task

After you write an Oracle server procedure, you must compile it. Use the following Oracle SQL precompile statement to compile the VR_GET_SITES_PROC procedure:

```
$ PROCOBOL HOST=COBOL INAME=vr_get_sites_proc MODE=ANSI FORMAT=TERMINAL -
_$ HOLD_CURSOR=Y RELEASE_CURSOR=NO SELECT_ERROR=NO SQLCHECK=SYNTAX
```

Execute the following statements to compile the VR_GET_SITES_PROC code with the COBOL compiler, and insert the resulting object into an object library:

```
$ COBOL vr_get_sites_proc
$ LIBRARY ora_obj_lib vr_get_sites_proc
```

Once all of the modules are compiled, link them with the following command, where VR_SERVER is the name of the server executable, and VR_OBJECT is the object created for that server when the task group is built with an ACMS ADU BUILD GROUP command:

```
$ LNPROCOB vr_server vr_object, ora_obj_lib/LIB
```

12.2 Application, Task Group, and Menu Definitions

This section describes the code that:

- Sets the environment and control characteristics of tasks and task groups (AVERTZ_VR_APPLICATION application definition)
- Sets the resources required by the group of tasks (VR_TASK_GROUP task group definition)
- Displays a list from which users can choose available tasks and menus (ACMS_SAMPLE_MENU menu definition)

12.2.1 Application Definition

Example 12–3 is an ACMS application definition (AVERTZ_VR_APPLICATION) that defines the characteristics for the application, the servers, and the task groups.

Table 12–3 describes the coding in the AVERTZ_VR_APPLICATION application definition in more detail.

Example 12–3 AVERTZ_VR_APPLICATION Application Definition

```
REPLACE APPLICATION AVERTZ_VR_APPLICATION APP1
AUDIT;

MAX SERVER PROCESS IS 2; APP2
MAX TASK INSTANCE IS 5;

APPLICATION USERNAME IS ORAAP; APP3
APPLICATION DEFAULT DIRECTORY IS "AVERTZ_ORACLE_DIR";

TASK DEFAULTS ARE APP4
  ACCESS CONTROL LIST IS
    ID [*,*] ACCESS EXECUTE;
  AUDIT;
  WAIT;
END TASK DEFAULTS;
```

(continued on next page)

Implementation Details of the Sample Application

12.2 Application, Task Group, and Menu Definitions

Example 12–3 (Cont.) AVERTZ_VR_APPLICATION Application Definition

```

SERVER DEFAULTS ARE APP5
  AUDIT;
  DEFAULT DIRECTORY IS "AVERTZ_ORACLE_DIR";
  LOGICAL NAME IS ORA_SID = "X1";
  MINIMUM SERVER PROCESSES IS 0;
  USERNAME IS USERNAME OF APPLICATION;
END SERVER DEFAULTS;

TASK GROUP IS APP6
  VR_TASK_GROUP: TASK GROUP FILE IS "AVERTZ_ORACLE_DIR:VR_TASK_GROUP";

END TASK GROUP;
END DEFINITION;

```

Table 12–3 Description of Code for AVERTZ_VR_APPLICATION Application Definition

Callout	Description
APP1	Replaces an old CDD dictionary application definition with the current application definition or creates a new definition if one does not already exist. Section 12.4 discusses the role of the CDD dictionary. The AUDIT clause indicates that application-level activities (such as starting and stopping the application) are noted in the ACMS audit log.
APP2	Specifies the maximum number of server processes that this application can have running, and the maximum number of task instances that can be active for this application. The maximum number of task instances is larger than the maximum number of server instances because users share server processes serially.
APP3	Defines the OpenVMS account and default OpenVMS directory for the application.
APP4	Describes the defaults for each task. The access control list is related to task security. The AUDIT clause indicates that task-level activities (such as the calling of tasks, including the time and user name of the caller) are noted in the ACMS audit log. The WAIT clause causes a message to be displayed to the user when a task has finished executing. The user is required to press Return to get back to a menu. The AUDIT and WAIT clauses are optional.
APP5	Describes the attributes for the procedure server. The AUDIT clause indicates that server-level activities (such as the calling of servers, including the time and user name of the caller) are noted in the ACMS audit log. The DEFAULT DIRECTORY clause associates a default device and directory with the server process. The instance of the AVERTZ Oracle database is known to the server through the use of the logical ORA_SID. The minimum number of server instances for this server is set. The server process runs in the same account as the application.
APP6	Lists the task group that is associated with this particular application. Although this sample has a single task group, ACMS applications often consist of several tasks groups that contain many tasks in each application.

12.2.2 Task Group Definition

Example 12–4 is an ACMS task group definition (VR_TASK_GROUP). The task group definition specifies:

- Message file specification
- DECforms form file information
- Tasks that belong to the group
- Procedures that are in the server

Implementation Details of the Sample Application 12.2 Application, Task Group, and Menu Definitions

Table 12–4 describes the coding in the VR_TASK_GROUP task group definition in more detail.

Example 12–4 VR_TASK_GROUP Task Group Definition

```

REPLACE GROUP VR_TASK_GROUP GRP1
MESSAGE FILE IS "AVERTZ_ORACLE_DIR:VRMSG.EXE"; GRP2
FORMS ARE GRP3
  VR_RESERVE_CAR_FORM IN "VR_FORMS.EXE" WITH NAME VR_RESERVE_CAR_FORM,
  VR_DISPLAY_SITES_FORM IN "VR_FORMS.EXE" WITH NAME VR_DISPLAY_SITES_FORM,
  VR_DISPLAY_CU_FORM IN "VR_FORMS.EXE" WITH NAME VR_DISPLAY_CU_FORM;
TASKS ARE GRP4
  VR_RESERVE_CAR_TASK : TASK IS VR_RESERVE_CAR_TASK;
  VR_DISPLAY_SITES_TASK : TASK IS VR_DISPLAY_SITES_TASK;
  VR_DISPLAY_CU_TASK : TASK IS VR_DISPLAY_CU_TASK;
END TASKS;
SERVER IS VR_SERVER: GRP5
  PROCEDURE SERVER IMAGE IS "VR_SERVER.EXE";
  PROCEDURES ARE
    VR_FIND_SI_PROC,
    VR_GET_RATES_PROC,
    VR_VERIFY_AVAILABILITY_PROC,
    VR_FIND_CU_PROC,
    VR_STORE_CU_PROC,
    VR_WRITE_RS_PROC,
    VR_GET_REGIONS_PROC,
    VR_GET_SITES_PROC,
    VR_GET_CUSTOMERS_PROC,
    VR_MOVE_RE_PROC,
    VR_MOVE_SI_PROC,
    VR_MOVE_CU_PROC;
  INITIALIZATION PROCEDURE IS VR_INIT; GRP6
  TERMINATION PROCEDURE IS VR_TERM; GRP7
  DEFAULT OBJECT FILE IS "VR_OBJECT.OBJ";
END SERVER;
END DEFINITION;

```

Table 12–4 Description of Code for VR_TASK_GROUP Task Group Definition

Callout	Description
GRP1	Replaces an old CDD dictionary task group definition with the current task group definition or creates a new definition if one does not already exist. Section 12.4 discusses the role of the CDD dictionary.
GRP2	Names the message file that is used in the GET ERROR MESSAGE clause in the tasks.
GRP3	Lists the HP DECforms form files that are used by the tasks in the task group, the location of those forms on the system, and the label (for reference) that is used within the task definition for each form.
GRP4	Lists the task definitions that are associated with that task group and the label that is used for each task. Typically, the label is the same as the name, but can be changed for special circumstances.
GRP5	Defines the contents of the procedure server named VR_SERVER. The procedure server is a single process that manages the initialization procedure (VR_INIT), the termination procedure (VR_TERM), and all the step procedures.

(continued on next page)

Implementation Details of the Sample Application

12.2 Application, Task Group, and Menu Definitions

Table 12–4 (Cont.) Description of Code for VR_TASK_GROUP Task Group Definition

Callout	Description
GRP6	Names the initialization procedure that is run when the procedure server images starts up.
GRP7	Names the termination procedure that is run when the procedure server image runs down.

12.2.3 Menu Definition

Example 12–5 is an ACMS menu definition (ACMS_SAMPLE_MENU) that allows users to select a menu or a task. In this example, the menu definition file contains the definitions for a hierarchy of menus. The VR_RESERVE_CAR_TASK in the third-level menu calls the VR_DISPLAY_SITES_TASK described in Section 12.1.1. In larger applications, multiple options (tasks and menus) are typically offered on the menu.

Table 12–5 describes the coding in the ACMS_SAMPLE_MENU menu definition in more detail.

Example 12–5 ACMS_SAMPLE_MENU Menu Definition

```
REPLACE MENU ACMS_SAMPLE_MENU MEN1
HEADER IS " ACMS Sample Application Menu"; MEN2
ENTRIES ARE MEN3
    AVERTZ_TOP: MENU IS AVERTZ_ORACLE_CDD.AVERTZ_TOP;
                TEXT IS "AVERTZ APPLICATION MENU";

END ENTRIES;
END DEFINITION;

REPLACE MENU AVERTZ_TOP
HEADER IS
"          A V E R T Z   T O P   M E N U   ";

ENTRIES ARE MEN4
    VR_MENU:   MENU IS AVERTZ_ORACLE_CDD.VR_MENU;
                TEXT IS "Vehicle Rental Menu";

END ENTRIES;
END DEFINITION;

REPLACE MENU VR_MENU
HEADER IS
"          V E H I C L E   R E N T A L   M E N U   ";

ENTRIES ARE MEN5
    RESERVE:   TASK IS VR_RESERVE_CAR_TASK IN O_AVERTZ_VR_APPLICATION;
                TEXT IS " Reserve Car Task";

END ENTRIES;
END DEFINITION;
```

Implementation Details of the Sample Application 12.2 Application, Task Group, and Menu Definitions

Table 12–5 Description of Code for ACMS_SAMPLE_MENU Menu Definition

Callout	Description
MEN1	Replaces an old CDD dictionary menu definition with the current menu definition or creates a new definition if one does not already exist. Section 12.4 discusses the role of the CDD dictionary.
MEN2	Defines the text to be displayed at the top of the ACMS menu (the name of the menu).
MEN3	Defines each first-level menu item. (In this case, there is only one first-level menu item: AVERTZ APPLICATION MENU.) The menu definition also defines the name of the menu definition for the menu item and the text associated with that menu item. Typically, a menu definition consists of multiple entries for tasks and, possibly, additional menus.
MEN4	Defines each second-level menu item. (In this case, there is only one second-level menu item: Vehicle Rental Menu.)
MEN5	Defines each third-level menu item. (In this case, there is only one third-level menu item: Reserve Car Task.)

12.3 Additional Procedure Server Components

This section describes the code that:

- Makes the initial connection to an instance of an Oracle database for a server process (VR_INIT initialization procedure)
- Disconnects the server process from an instance of an Oracle database (VR_TERM termination procedure)

12.3.1 Initialization Procedure

Example 12–6 is the server initialization procedure (VR_INIT) written in COBOL. The server initialization procedure performs work that must be done before any step procedure executes. The initialization procedure is executed only once before the server becomes available. In this case, the initial connection is made to the Oracle database.

Table 12–6 describes the coding in the INIT_EMPL_INFO initialization procedure in more detail.

Example 12–6 VR_INIT Initialization Procedure

```
IDENTIFICATION DIVISION.
PROGRAM-ID. VR-INIT.

ENVIRONMENT DIVISION.
CONFIGURATION SECTION.
SOURCE-COMPUTER.      VAX-11.
OBJECT-COMPUTER.     VAX-11.

DATA DIVISION.
WORKING-STORAGE SECTION.

    EXEC SQL INCLUDE                                     [INI1]
        AVERTZ_ORACLE_DIR:SQLCA.CBT
    END-EXEC.

    EXEC SQL                                           [INI2]
        BEGIN DECLARE SECTION
    END-EXEC.
```

(continued on next page)

Implementation Details of the Sample Application

12.3 Additional Procedure Server Components

Example 12–6 (Cont.) VR_INIT Initialization Procedure

```

01 CONNECT-DATA.
   02 USERID          PIC X(3) VALUE "SYS".
   02 PASSWORD        PIC X(3) VALUE "B52".

      EXEC SQL
      END DECLARE SECTION
      END-EXEC.

PROCEDURE DIVISION.
MAIN SECTION.

000-OPEN_DB.

      EXEC SQL
      CONNECT :USERID IDENTIFIED BY :PASSWORD
      END-EXEC.

100-EXIT-PROGRAM.

      EXIT PROGRAM.

```

Table 12–6 Description of Code for VR_INIT Initialization Procedure

Callout	Description
INI1	Includes the Oracle SQL communications area that is updated every time an SQL statement is executed.
INI2	Declares the Oracle username and password that the server uses to connect to the instance of the Oracle database. Instead of hard-coding this security information in the initialization procedure, you can take advantage of the automatic logon feature of Oracle. If the Oracle username is specified as OPS\$username, where username is the OpenVMS account that the server is running in, the connect statement can then be "CONNECT :/".
INI3	Makes the connection to the Oracle database instance.

12.3.2 Termination Procedure

Example 12–7 is the server termination procedure (VR_TERM) written in COBOL. The termination procedure performs any cleanup work that must be done before the procedure server runs down. In this example, the procedure simply disconnects the server from the database.

Table 12–7 describes the coding in the VR_TERM termination procedure in more detail.

Example 12–7 VR_TERM Termination Procedure

```

IDENTIFICATION DIVISION.
PROGRAM-ID. VR-TERM.

ENVIRONMENT DIVISION.
CONFIGURATION SECTION.
SOURCE-COMPUTER.      VAX-11.
OBJECT-COMPUTER.      VAX-11.

DATA DIVISION.
WORKING-STORAGE SECTION.

```

(continued on next page)

Implementation Details of the Sample Application

12.3 Additional Procedure Server Components

Example 12–7 (Cont.) VR_TERM Termination Procedure

```

EXEC SQL                                     TRM1
    INCLUDE AVERTZ_ORACLE_DIR:SQLCA.CBT
END-EXEC.

EXEC SQL                                     TRM2
    BEGIN DECLARE SECTION
END-EXEC.

01 CONNECT-DATA.
02 USERID                                     PIC X(3) VALUE "SYS".
02 PASSWORD                                  PIC X(3) VALUE "B52".

EXEC SQL
    END DECLARE SECTION
END-EXEC.

PROCEDURE DIVISION.
MAIN SECTION.

000-CLOSE_DB.

EXEC SQL                                     TRM3
    COMMIT
END-EXEC.

100-EXIT-PROGRAM.
EXIT PROGRAM.

```

Table 12–7 Description of Code for VR_TERM Termination Procedure

Callout	Description
TRM1	Includes the Oracle SQL communications area that is updated every time an SQL statement is executed.
TRM2	Declares the Oracle username and password.
TRM3	The connection to the Oracle database instance is severed.

12.4 Field and Record Definitions

Data dictionaries contain metadata (descriptions of data, not the data itself) in the form of dictionary definitions. The most commonly used dictionary definitions are fields and records.

A **field definition** describes the data that can be stored in a specific field in your application. Field definitions typically include information such as data type and size. In this sample, site fields are defined.

A **record definition** consists of a grouping of field definitions. This sample defines a record named VR_SITES_WKSP, which contains a group of field definitions corresponding to the sites.

In an ACMS application that is written using a native HP database manager, the record definitions that are stored in the CDD data dictionary are normally used as ACMS workspace definitions, 3GL record definitions, HP DECforms form records definitions and database definitions. Because an Oracle database has its own internal data dictionary, CDD cannot be used to store Oracle metadata.

Implementation Details of the Sample Application

12.4 Field and Record Definitions

Any program variables used in an Oracle SQL statement must be defined within an SQL DECLARE SECTION. You can create a text copy of the record definition in the Oracle database and copy it into the program (using an SQL INCLUDE statement) at time of Oracle precompile. In this scenario, the Oracle database and the ACMS workspaces or 3GL server programs do not share data definitions.

The CDD field definitions in Example 12–8 specify the information on fields used in AVERTZ. In addition to the name, each field definition also includes the data type and size for each field.

Example 12–8 Field Definitions

```
DEFINE FIELD SITE_ID           DATATYPE SIGNED LONGWORD.
DEFINE FIELD SITE_NAME        DATATYPE TEXT SIZE 25.
DEFINE FIELD FIRST_ADDRESS_LINE DATATYPE TEXT SIZE 25.
DEFINE FIELD SECOND_ADDRESS_LINE DATATYPE TEXT SIZE 25.
DEFINE FIELD CITY             DATATYPE TEXT SIZE 20.
DEFINE FIELD REGION_ID       DATATYPE SIGNED LONGWORD.
DEFINE FIELD COUNTRY_ID      DATATYPE SIGNED LONGWORD.
DEFINE FIELD POSTAL_CODE     DATATYPE TEXT SIZE IS 10.
DEFINE FIELD PHONE_NO        DATATYPE TEXT SIZE IS 21.
```

AVERTZ uses both records and workspaces. Example 12–9 shows one of the workspace definitions contained in CDD for AVERTZ. This workspace definition can be used in the 3GL procedures if the variables in the record are not referenced in an Oracle SQL statement.

Example 12–9 Record and Workspace Definitions

```
DEFINE RECORD VR_SITES_WKSP

SITE_ID.
SITE_NAME.
FIRST_ADDRESS_LINE.
SECOND_ADDRESS_LINE.
CITY.
REGION_ID.
COUNTRY_ID.
POSTAL_CODE.
PHONE_NO.

END RECORD.
```

If the variables in the record are referenced in an Oracle SQL statement in the COBOL procedure, the third definition, shown in Example 12–10, is necessary. All variables that are used in an Oracle SQL statement must be included in a DECLARE SECTION.

Example 12–10 Text Library Record Definition

```
EXEC SQL
      BEGIN DECLARE SECTION
END-EXEC.
```

(continued on next page)

Implementation Details of the Sample Application

12.4 Field and Record Definitions

Example 12–10 (Cont.) Text Library Record Definition

```
01 VR_SITES_WKSP.  
   05 WS_SITE_ID           PIC S9(9) COMP.  
   05 WS_SITE_NAME        PIC X(25).  
   05 WS_FIRST_ADDRESS_LINE PIC X(25).  
   05 WS_SECOND_ADDRESS_LINE PIC X(25).  
   05 WS_CITY             PIC X(20).  
   05 WS_REGION_ID        PIC S9(9) COMP.  
   05 WS_COUNTRY_ID       PIC S9(9) COMP.  
   05 WS_POSTAL_CODE      PIC X(10).  
   05 WS_PHONE_NO         PIC X(21).  
  
EXEC SQL  
      END DECLARE SECTION  
END-EXEC.
```

12.5 CASE Tools

When you use ACMS with Oracle, you combine the power of the best CASE tools for both environments. Note the following about using CASE tools when you create interoperable ACMS and Oracle applications:

- You can use all the Oracle tools, such as SQL*Plus, SQL*Forms and SQL*Report, while an ACMS and Oracle application is running.
- You can use HP CASE tools such as DECset (a collection of code editing, management, testing, and analysis tools) regardless of whether a HP or a third-party database is used. You can even create custom LSE editing templates to handle Oracle-specific SQL syntax.
- The combination of ACMS and Oracle with the use of SQL*Net allows an online TP application to access Oracle data on other platforms. In addition, the use of Oracle's SQL*Connect gateways provides links to non-Oracle data sources on other platforms.

Part IV

Interoperability with IBM LU6.2 and CICS

This part of the manual describes how *HP ACMS for OpenVMS* transaction processing (TP) software works with APPC/LU6.2 programming interface software (developed by HP Equipment Corporation) to communicate with an IBM® CICS® application on an IBM system.

Overview of ACMS and APPC/LU6.2

This chapter provides a high-level technical discussion of how you can use APPC/LU6.2 as a gateway between a *HP ACMS for OpenVMS* application (HP's transaction processing system) and an IBM system, and specifically answers the following questions:

- Why would you want to use HP and ACMS?
- How does APPC/LU6.2 work as a gateway between an ACMS application and an IBM system?
- What are the basic concepts of ACMS and APPC/LU6.2?

13.1 Why Use HP and ACMS?

When you read articles and business school case studies on companies that remain competitive year after year, decade after decade, you typically find a common denominator for those companies: they remained flexible enough to change the way they did business to suit the current business environment. If information is critical to the operation of your business, do you also need that same advantage of flexibility?

HP offers you computing solutions that fit for today and for the future as well. Because HP is the premier vendor in interoperability and networking, flexibility means the ability to:

- Use the appropriately sized (and, therefore, appropriately priced) computer system for different business needs. HP's ACMS software runs on all OpenVMS machines, from the smallest desktop to the largest mainframe. Every one of these machines can interoperate with IBM CICS applications.
- Integrate your existing systems into the ACMS environment to protect your current investment. In addition to being able to connect with IBM CICS applications, the HP TP Desktop Connector (formerly ACMS Desktop) product allows DOS, Macintosh, SCO UNIX, and ULTRIX systems to tie into the ACMS environment using a client/server computing approach.
- Move computing to the right location. With ACMS, you can either keep your business data in a central location or scatter it throughout your corporation.

With HP, flexibility means the choice is yours!

13.2 Introduction to Developing ACMS Applications

An ACMS application consists of a set of tasks that relate to the functions of a business. A **task** is the unit of work that a user selects from an ACMS menu. Each task usually comprises a sequence of steps that perform this unit of work. You use the ACMS **task definition language** (TDL) to define tasks.

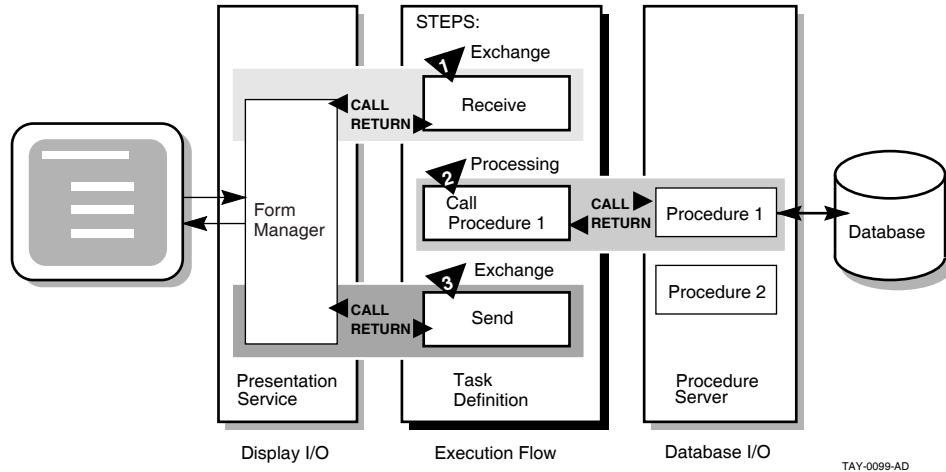
Overview of ACMS and APPC/LU6.2

13.2 Introduction to Developing ACMS Applications

Figure 13–1 illustrates the basic principles of the ACMS TDL used to write a task definition.

The task definition specifies an interface to the presentation service (forms management system) for communication with a terminal or other device. The task definition also specifies an interface to a **procedure server** for executing procedures (user-written subroutines) that handle database I/O and computational work.

Figure 13–1 Execution Flow of an ACMS Task Definition



The semantics of the ACMS task definition language are based on a call and return model. The task definition performs calls to the presentation service in **exchange steps**, and to the procedure server in **processing steps**. The presentation service and procedure server perform a function and return control to the task definition. Upon return of control to the task definition, subsequent parts of a step can evaluate the results of the call and, if necessary, handle any error conditions.

In Figure 13–1, for example:

1. In the first exchange step, the task definition calls the presentation service to display a form on the terminal screen (for example, a form to add a new employee record to a database). When the terminal user finishes filling in the form, the user presses a specified key (or keys) that returns the input data to the task definition.
2. In the processing step, the task definition then calls Procedure 1 in the procedure server to write that input data to the database. Procedure 1 then returns its results (either success or failure). If Procedure 1 succeeds, the task ends with a success status. If Procedure 1 fails to write to the database, the task continues executing at step 3.
3. In the second exchange step, the task definition calls the presentation service to send an error message to the terminal screen (for example, that the employee number of the new record duplicates an existing employee number). The presentation service then returns control to step 3, which ends the task.

By keeping exchange and processing steps as distinct steps within an ACMS task, ACMS allows for the separation of forms (end-user interaction) from function (database access, computation, and execution control). This means that you can easily distribute end-user processing while maintaining centralized data control.

13.2.1 Writing ACMS Definitions

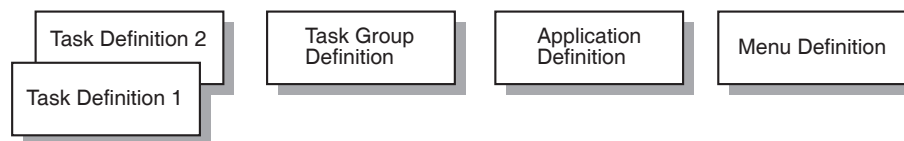
The ACMS task definition language allows you to write an ACMS definition as a series of simple, English-like statements. The four types of ACMS definitions are:

- A **task definition** describes, in steps, the work to be accomplished in the task. For example, a task can collect information from a user and call a procedure to store the information in a file or database.
- A **task group definition** specifies similar tasks for control purposes and defines resources common to all tasks in the group.
- An **application definition** describes the environment and control characteristics of tasks and task groups.
- A **menu definition** describes how users access tasks in one or more applications.

You build the task, task group, and application definitions into binary files that run as an application under the control of the ACMS run-time environment. You build a menu definition into a binary file that is not necessarily tied to a single application.

Figure 13–2 illustrates the ACMS development components for a simple ACMS application with two tasks (for example, one to add a new employee record to a database, and one to update an existing employee record).

Figure 13–2 ACMS Application Components



TAY-0014-AF

Figure 13–2 does not show that there can be more than one task group definition specified for a single application. Also, more than one menu definition can specify tasks that point to the same application. Conversely, a single menu definition can specify tasks in different applications.

Because ACMS applications are modular, you develop each part of an application independently. Built-in modular design based on English-like syntax statements means that ACMS applications are easy to structure and easy to maintain. Furthermore, modularity means that you can easily update an application module without affecting the entire application.

13.2.2 Composition of ACMS Definitions

A task definition controls the exchange of information with the user, and the processing of that information against the file or database. Each ACMS task definition is made up of one or more steps. ACMS breaks the work to be accomplished by a task into two types of steps:

- Exchange steps usually interact with the Form Manager to handle forms I/O (that is, the exchange of information between the task and the user). An exchange step can interact with HP DECforms or TDMS forms, or interface with other devices using the ACMS Request Interface or the ACMS Systems Interface for communicating with nonstandard devices. Figure 13–1 illustrates an execution flow with two exchange steps.

Overview of ACMS and APPC/LU6.2

13.2 Introduction to Developing ACMS Applications

- Processing steps call **step procedures** (user-written subroutines) to handle computations and interactions with databases or files, typically using procedures written in a high-level programming language (any language adhering to the OpenVMS Calling Standard). ACMS uses two types of servers: procedure servers for executing a procedure, and DCL servers for invoking images or DCL commands. Figure 13–1 illustrates an execution flow with one processing step.

A server process may perform an initialization routine of common work when the server is started, rather than each time a task is selected. ACMS manages pools of servers to save on process creation and image activation.

Servers are single-threaded and serially reusable. A single server process can be called by many different ACMS tasks in a serial fashion. Once a call is complete, the server is then available to be called by another ACMS task. Reusable servers in a single process means that the performance in the processing of your transactions is greatly enhanced.

When ACMS starts a processing step, it allocates a **procedure server process** to a task to execute the procedure in that step. This single-threaded process remains allocated to the task for the duration of one or more processing steps.

In ACMS, a **workspace** is a buffer used to pass data between the task and processing steps, and between the task and exchange steps.

Task group definitions combine similar tasks of an application that need to share common resources such as workspaces, HP DECforms forms, and procedure servers.

The application definition describes:

- Task groups that belong to an application
- Characteristics that control the tasks, such as security restrictions on which users can select a particular task
- Servers, such as the number of server processes that can be active at the same time
- Application characteristics, such as whether application activity is recorded in the audit trail log

Menu definitions list both tasks and additional menus that a user can select from a menu. For example, the tasks on a menu can include adding new employee records, displaying employee information, and entering labor data.

When you write definitions for ACMS tasks, ACMS automatically stores the definitions in a CDD dictionary. At run time, the definitions are represented in binary form in databases defined by ACMS. For example, a task group definition is represented by a task group database that contains a binary representation of the task group definition.

Chapter 14 provides code examples (with accompanying descriptions) of the different components of an ACMS application.

13.3 Introduction to Using the APPC/LU6.2 Programming Interface

Logical Unit 6.2 is a general purpose architecture that enables IBM products to communicate with one another. Unlike other IBM LUs, which are designed with specific products in mind, LU6.2 has general function as the goal (that is, a common LU for all products).

The LU6.2 architecture defines a set of protocols. To communicate with one another, products (such as HP's APPC/LU6.2 Programming Interface) must implement LU6.2 according to these protocols.

Communication using LU6.2 is analogous in function to the DECnet task-to-task communication over a DECnet logical link. As with DECnet, communication between transaction programs using LU6.2 is transparent. You can develop applications that move data through a DECnet network to a remote IBM host transaction program without requiring your programmers to know the details of SNA.

LU6.2 transaction programs exchange information by means of a **conversation**, which is a temporary logical path established between two cooperating transaction programs. As in DECnet task-to-task communication, transaction programs must cooperate during the transaction process. For instance, when one transaction program issues a command to send data, the other transaction program must issue a command to receive the data. In cooperating transaction programs (such as ACMS and CICS), you can make calls to the APPC/LU6.2 Programming Interface procedures to:

- Establish LU6.2 sessions
- Set up conversations between transaction programs
- Send and receive data
- Support mapped and basic conversations
- Confirm data exchange

Before transaction programs can exchange messages, their LUs must first establish a logical connection or session. A **session** is a long-term logical connection that permits communication between two logical units (such as between ACMS and CICS). A conversation is a short-term logical connection that lasts only for the duration of one complete transaction. ACMS establishes both sessions and conversations by using explicit calls to APPC/LU6.2 procedures.

Chapter 14 provides code examples (with accompanying descriptions) of how these APPC/LU6.2 Programming Interface calls are made.

13.4 How Do You Connect ACMS with IBM CICS Systems?

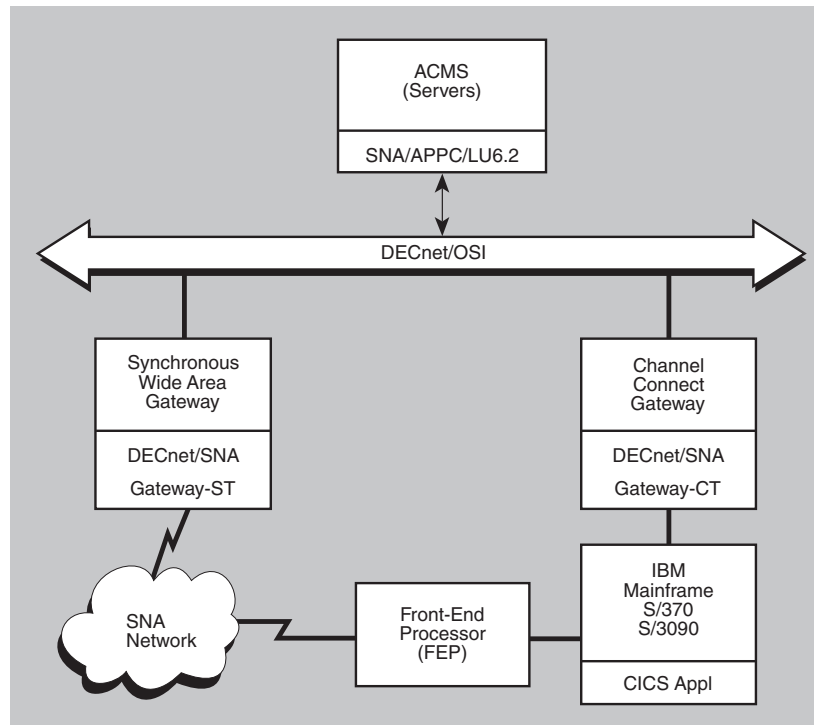
Using the APPC/LU6.2 Programming Interface, you can develop ACMS applications that exchange messages with remote IBM host transaction programs (such as CICS). Figure 13–3 shows how ACMS works with APPC/LU6.2 to connect to an IBM mainframe.

Figure 13–3 shows a HP server node running ACMS (with APPC/LU6.2 running on the same HP system). The HP computer can be attached either to HP's proprietary network DECnet, or to an Open Systems Interconnection (OSI) network.

Overview of ACMS and APPC/LU6.2

13.4 How Do You Connect ACMS with IBM CICS Systems?

Figure 13–3 How ACMS and APPC/LU6.2 Connect to an IBM Machine



As shown in Figure 13–3, a HP node running ACMS software can connect to an IBM system by two physical paths:

- DECnet/SNA Gateway synchronous transport (ST), which connects the HP system physically to an IBM Systems Network Architecture (SNA) network. Once on the SNA network, ACMS can connect to a myriad of host IBM mainframes. The one or more IBM mainframes are connected to the same SNA network by a front-end processor (FEP).
- DECnet/SNA Gateway channel transport (CT), which connects the HP system directly to an IBM mainframe by way of a hardwired channel port on the IBM host.

Once the hardware connection is established, ACMS works together with APPC/LU6.2 to start a CICS transaction. Chapter 14 describes the code for an example of an ACMS application making a request to a CICS application for data stored in an IBM database.

Implementation Details of the Sample Application

The APPC/LU6.2 programming interface enables HP OpenVMS users to connect to remote third-party computers, providing the connectivity that enables both the other vendor's computer and HP computers to transparently exchange data and share resources.

This chapter contains a sample program that shows how ACMS, by using APPC/LU6.2 as its interconnectivity programming interface, can communicate with a remote IBM host computer's application program (in particular, an IBM CICS transaction processing application). The sample program is based on the Personnel Application example provided in *HP ACMS for OpenVMS Getting Started*.

Because the purpose of the sample is to demonstrate interconnectivity, it provides a single inquiry option on the ACMS menu. Real ACMS applications, however, are not limited to inquiry options; they can also write, modify, and delete data on IBM and other vendor databases.

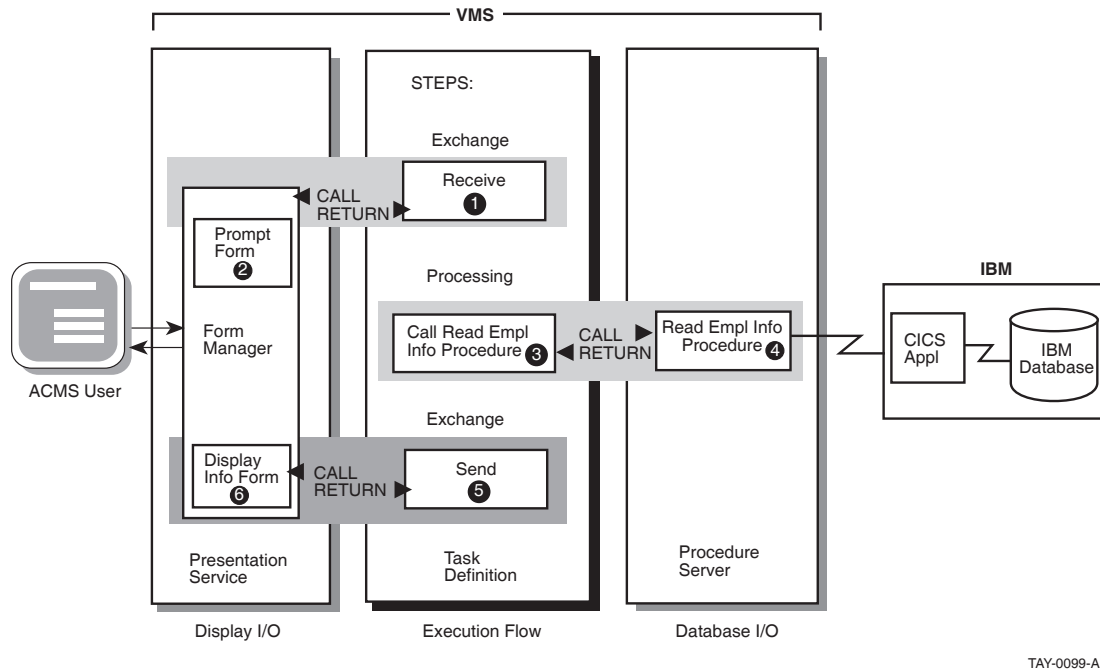
14.1 Execution Flow of the Sample Task

Figure 14–1 shows how the task definition in this sample controls the flow of work between the ACMS user and the IBM database. (The task definition runs after the user selects the inquiry option from the ACMS menu.)

Implementation Details of the Sample Application

14.1 Execution Flow of the Sample Task

Figure 14–1 Execution Flow of the Sample Task



- 1 Exchange step in the task calls the HP DECforms form that prompts the user to enter an Employee ID number.
- 2 HP DECforms form prompts the user for an Employee ID number, and returns that number to the task.
- 3 Processing step in the task calls the server procedure that connects to the IBM system.
- 4 COBOL procedure passes the Employee ID number to a CICS application on the IBM machine. The CICS application uses that number to access the employee's record residing in a database on the IBM system. After the record is found, all pertinent employee information is passed back to the ACMS task on the HP system.
- 5 Exchange step in the task calls the HP DECforms form to display the requested employee record.
- 6 HP DECforms form displays all of the fields in the employee record on the ACMS user's terminal.

For all this work to take place, the sample uses four separate files:

- EMPLOYEE_INFO_READ_TASK task definition, an ACMS file that controls the flow of work at run time
- EMPLOYEE_INFO_PROMPT_FORM form definition, a HP DECforms file that prompts the user for the Employee ID number
- READ_EMPL_INFO server procedure, a COBOL procedure that accesses the IBM database through a CICS transaction, reads the employee record, and returns that record to the ACMS application
- EMPLOYEE_INFO_FORM form definition, a HP DECforms file that displays all the fields in the employee record on the ACMS user's terminal

Implementation Details of the Sample Application

14.1 Execution Flow of the Sample Task

The code for the sample files is contained in the following sections, along with an explanation of what is happening in each file.

14.1.1 Task Definition

Example 14–1 shows the ACMS task definition for the sample (EMPLOYEE_INFO_READ_TASK). The task uses exchange steps to get the employee number from the user and to display the employee information to the user. The task uses a processing step to call the COBOL procedure, which handles the I/O interactions among the ACMS application, the IBM CICS application, and the database.

Table 14–1 describes the coding in the EMPLOYEE_INFO_READ_TASK task definition in more detail.

Example 14–1 EMPLOYEE_INFO_READ_TASK Task Definition

```

REPLACE TASK EMPLOYEE_INFO_READ_TASK                                TSK1
USE WORKSPACES                                                    TSK2
  EMPLOYEE_INFO_WKSP,
  EMPLOYEE_INFO_COMPARE_WKSP,
  QUIT_WORKSPACE,
  CONTROL_WORKSPACE;

BLOCK WORK WITH FORM I/O                                          TSK3

GET_EMPL_NUMBER:                                                  TSK4
  EXCHANGE
  RECEIVE FORM RECORD EMPLOYEE_INFO_RECORD
  IN EMPLOYEE_INFO_PROMPT_LABEL
  RECEIVING EMPLOYEE_INFO_WKSP
  WITH RECEIVE CONTROL QUIT_WORKSPACE;

  CONTROL FIELD IS QUIT_WORKSPACE.QUIT_KEY
  " FOUT" : EXIT TASK;
  END CONTROL FIELD;

RETRIEVE_EMPL_INFO:                                              TSK5
PROCESSING
  CALL READ_EMPL_INFO IN EMPL_SERVER
  USING EMPLOYEE_INFO_WKSP, EMPLOYEE_INFO_COMPARE_WKSP, CONTROL_WORKSPACE;

DISPLAY_INFO_TO_USER:                                           TSK6
EXCHANGE
  SEND FORM RECORD EMPLOYEE_INFO_RECORD
  IN EMPLOYEE_INFO_LABEL
  SENDING EMPLOYEE_INFO_WKSP;

END BLOCK WORK;

END DEFINITION;

```

Table 14–1 Description of Code for EMPLOYEE_INFO_READ_TASK Task Definition

Callout	Description
TSK1	Replaces an old CDD dictionary task definition with the current task definition or creates a new definition if one does not already exist. Section 14.4 discusses the role of the CDD dictionary.

(continued on next page)

Implementation Details of the Sample Application

14.1 Execution Flow of the Sample Task

Table 14–1 (Cont.) Description of Code for EMPLOYEE_INFO_READ_TASK Task Definition

Callout	Description
TSK2	Names one or more workspaces to which the task needs access. Workspaces are buffers used to pass data between steps in a task, between a task and a procedure, between a task and a form, and between two or more tasks.
TSK3	Groups multiple steps as a logical unit between the BLOCK WORK and END BLOCK WORK clauses (in this example, the block consists of two EXCHANGE steps and one PROCESSING step). FORM I/O is a block phrase that indicates that the EXCHANGE steps use HP DECforms for I/O with the user.
TSK4	<p>Calls the HP DECforms form EMPLOYEE_INFO_PROMPT_FORM within an EXCHANGE step. HP DECforms uses the EMPLOYEE_INFO_PROMPT_FORM form to prompt the user for an Employee ID number. Once the user supplies that number, control returns to the ACMS task.</p> <p>If the user decides to quit the task when prompted for the Employee ID number, the user can press a predefined quit key. The CONTROL FIELD clause indicates that if the user presses the quit key, ACMS exits the entire task and return control to the ACMS menu.</p>
TSK5	Calls the COBOL procedure READ_EMPL_INFO within a PROCESSING step. The COBOL procedure performs the database inquiry and returns the employee record to the ACMS application using the EMPLOYEE_INFO_WKSP workspace.
TSK6	Calls the HP DECforms form EMPLOYEE_INFO_FORM within an EXCHANGE step. HP DECforms uses the EMPLOYEE_INFO_FORM to format and display all of the fields in the employee record on the ACMS user's terminal.

14.1.2 Prompt Form Definition

Example 14–2 is the HP DECforms form definition for the sample prompt form (EMPLOYEE_INFO_PROMPT_FORM). In this example, the form prompts the user for the Employee ID number. The Employee ID number is then passed back to the ACMS task, which supplies the Employee ID number to the procedure server.

This code is not hand-generated, but rather is generated by the HP DECforms Forms Development Environment, an easy-to-use interface for forms generation. Because this coding is computer-generated (programmers do not need to generate this code), there is no detailed explanation of the code following the example.

Example 14–2 EMPLOYEE_INFO_PROMPT_FORM Form Definition

```
Form EMPLOYEE_INFO_PROMPT_FORM
  Form Data
    EMPL_NUMBER Character(6)
  End Data
  Form Record EMPLOYEE_INFO_RECORD
  copy
    employee_info_record from dictionary
  end copy
  end record

/*****
*defines several function responses: *
*****/
```

(continued on next page)

Implementation Details of the Sample Application

14.1 Execution Flow of the Sample Task

Example 14–2 (Cont.) EMPLOYEE_INFO_PROMPT_FORM Form Definition

```
Layout VT_LAYOUT
  Device
    Terminal
      Type %VT100
  End Device
  Size 24 Lines by 80 Columns

  Function QUIT_KEY
    Is %PF4
  End Function

  Function Response QUIT_KEY
    Remove All
    Return
      " FQUT"
  End Response

  Disable Response
    Request Exit Response
      Remove All
    End Response
  End Response

/*****
*Describes the display for the first panel in the*
*employee inquiry example:                      *
*****/

  Panel EMPLOYEE_PROMPT_PANEL
    Remove

    Literal Text
      Line 1
      Column 25
      Value "EMPLOYEE INQUIRY"
    End Literal

    Literal Text
      Line 6
      Column 9
      Value "Employee Number of Record to View:"
    End Literal

    Literal Text
      Line 16
      Column 9
      Value "Press Ctrl/Z to transmit employee number; PF4 to cancel."
    End Literal

    Field EMPL_NUMBER
      Line 6
      Column 47
      Entry Response
        Reset EMPL_NUMBER
      End Response
    End Field

  End Panel

End Layout
End Form
```

(continued on next page)

Implementation Details of the Sample Application

14.1 Execution Flow of the Sample Task

Example 14–2 (Cont.) EMPLOYEE_INFO_PROMPT_FORM Form Definition

14.1.3 Read Database COBOL Step Procedure

The COBOL procedure (READ_EMPL_INFO) in Example 14–3, which is a processing step procedure that becomes part of the EMPL_SERVER procedure server, performs the following functions at run time:

- Allocates and deallocates the channel for the conversation between the HP and IBM system. (Section 14.3 shows how sessions are created and deleted between the HP and IBM system.)
- Starts an IBM CICS transaction to read the employee record.
- Translates the record from EBCDIC to ASCII and back to EBCDIC.

Note

Although COBOL is used in this example, users can create server procedures using any programming language that supports the OpenVMS Calling Standard.

Table 14–2 describes the coding in the READ_EMPL_INFO_COBOL step procedure in more detail.

Note

If your step procedures involve write, modify, or delete operations, HP suggests you use a timestamp from the IBM system. The timestamp field is given by the IBM transaction to each requester (in this case, the step procedure) as part of the requested record. You can then pass this timestamp back to the IBM system for database locking purposes (do this **without** converting it from EBCDIC-ASCII then ASCII-EBCDIC). It is the responsibility of the IBM system to check the timestamp field in the file with the new record. If the timestamp fields are different, the record has been modified by a different transaction.

Writing step procedures is fully described in *HP ACMS for OpenVMS Writing Server Procedures*.

Example 14–3 READ_EMPL_INFO COBOL Step Procedure

```
IDENTIFICATION DIVISION.  
PROGRAM-ID. READ_EMPL_INFO.
```

```
ENVIRONMENT DIVISION.  
CONFIGURATION SECTION.  
SOURCE-COMPUTER. VAX-11.  
OBJECT-COMPUTER. VAX-11.
```

```
DATA DIVISION.
```

(continued on next page)

Implementation Details of the Sample Application

14.1 Execution Flow of the Sample Task

Example 14–3 (Cont.) READ_EMPL_INFO COBOL Step Procedure

WORKING-STORAGE SECTION.

SRV1

```
01 resource-id          pic 9(9)    comp.
01 status-result       pic S9(9)   comp.
01 i-status            pic S9(9)   comp.
01 i-ctr               pic S9(4)   comp.
01 status-vec         pic X(64)   is external.
01 lu-name             pic X(5)    is external.
01 tpn-name           pic X(4)    .
01 event-flag         pic 9(8)    comp value 5.
01 what-received      pic 9(8)    comp.
01 rts-rec            pic 9(4)    comp.
01 record-number      pic X(6)    .
01 data-length        pic 9(04)   comp.
01 data-buffer        pic X(86)   .
01 temp-length        pic 9(4)    .
01 flag-for-connect   pic X       value SPACE.
01 nodename-gateway   pic X(6)    is external.
01 ascii-tpn-name     pic X(4)    value "AIBR".
01 access-name        pic X(7)    is external.

01 output-buffer.
02 o-filler1          pic X(13)   .
02 o-name             pic X(20)   .
02 o-addrx           pic X(20)   .
02 o-phone           pic X(8)    .
02 o-datex           pic X(8)    .
02 o-amount          pic X(8)    .
02 o-comment          pic X(9)    .

01 session-status     pic X is external.
88 session-connected  value 'Y'.
88 session-not-connected value 'N'.

*****
* SNA LU6.2 APPC - Symbols definition
*****
01 SNALU62$ DEALNOR          pic 9(8) comp value 34832986.
01 SNALU62$ OK              pic 9(8) comp value 34833145.
01 SNALU62$K_OTHER         pic 9(8) comp value 2.
01 SNALU62$K_MAPPED_CONVERSATION pic 9(8) comp value 4.
01 SNALU62$K_WHEN_SESSION_ALLOC pic 9(8) comp value 5.
01 SNALU62$K_SL_CONFIRM    pic 9(8) comp value 9.
01 SNALU62$K_LOCAL         pic 9(8) comp value 32.
01 SNALU62$K_DATA_COMPLETE pic 9(8) comp value 38.
*****
* Buffer passed on during conversation to turn off the state conversation
* between OpenVMS and MVS.
*****
01 dummy-record          pic X(2000) value SPACES.
01 dummy-record_length  pic 9(4) comp value 2000.
```

(continued on next page)

Implementation Details of the Sample Application

14.1 Execution Flow of the Sample Task

Example 14–3 (Cont.) READ_EMPL_INFO COBOL Step Procedure

```
LINKAGE SECTION.
COPY "EMPLOYEE_INFO_WKSP" FROM DICTIONARY REPLACING          [SRV2]
    ==EMPLOYEE_INFO_WKSP. == BY ==EMPLOYEE_INFO_LINKAGE_WKSP. ==.
COPY "CONTROL_WORKSPACE" FROM DICTIONARY.

PROCEDURE DIVISION USING EMPLOYEE_INFO_LINKAGE_WKSP, CONTROL_WORKSPACE.

MAIN SECTION.
000-SET-STATUS.
    MOVE SPACES TO ERROR_STATUS_FIELD.

010-GET-RECORD.
*****
* initialize work fields*
*****

    move 0 to data-length, temp-length.

    move spaces to data-buffer, output-buffer.

*****
* Allocate an LU6.2 conversation.*
*****
    move 0 TO rts-rec.

*****
* Allocate the conversation.                                     *
* Prior we want to convert transaction name into EBCDIC.*
*****

    call "LIB$TRA_ASC_EBC" using by descriptor ascii-tpn-name,   [SRV3]
                                tpn-name,
                                giving status-result.

    call "SYS$CLREF" using by value event-flag giving i-status. [SRV4]

    call "SNALU62$ALLOCATE" using                                [SRV5]
        by reference resource-id,
        by descriptor status-vec,
        by reference SNALU62$K_OTHER,
        by descriptor lu-name,
        by value 0,
        by descriptor tpn-name,
        by reference SNALU62$K_MAPPED_CONVERSATION,
        by reference SNALU62$K_WHEN_SESSION_ALLOC,
        by reference SNALU62$K_SL_CONFIRM,
        by value 0,0,0,0,0,
        by reference event-flag,
        giving status-result.

    call "SYS$WAITFR" using by value event-flag giving i-status. [SRV6]
    if status-result IS FAILURE
    go to 100-EXIT-PROGRAM.

*****
* Translate the request to EBCDIC.*
*****

    call "LIB$TRA_ASC_EBC" using by descriptor                    [SRV7]
                                empl_number of employee_info_linkage_wksp
                                record-number,
                                giving status-result.
```

(continued on next page)

Implementation Details of the Sample Application

14.1 Execution Flow of the Sample Task

Example 14–3 (Cont.) READ_EMPL_INFO COBOL Step Procedure

```
*****
* Send the data to CICS transaction.*
*****

    call "SNALU62$SEND_DATA" using                               SRV8
        by reference resource-id,
        by descriptor status-vec,
        by descriptor record-number,
        by reference data-length,rts-rec,
        giving status-result.

    if status-result IS FAILURE
    go to 100-EXIT-PROGRAM.

*****
* Receive and wait from the IBM system*
*****

    call "SNALU62$RECEIVE_AND_WAIT" using                       SRV9
        by reference resource-id,
        by descriptor status-vec,
        by value 0,
        by reference data-length,rts-rec,
        by descriptor data-buffer,
        by reference what-received,
        giving status-result.

    if status-result is FAILURE
    then
        if not status-result = SNALU62$_DEALNOR
        go to 100-EXIT-PROGRAM.

*****
* Translate the record from EBCDIC to ASCII.*
*****

    call "LIB$TRA_EBC_ASC" using by descriptor data-buffer,     SRV10
        output-buffer,
        giving status-result.

    move o-name to empl_name of employee_info_linkage_wksp.
    move o-addrx to empl_street_address of employee_info_linkage_wksp.
    move o-phone to empl_phone of employee_info_linkage_wksp.
    move o-datex to empl_date of employee_info_linkage_wksp.
    move o-amount to empl_amount of employee_info_linkage_wksp.
    move o-comment to empl_comment of employee_info_linkage_wksp.

*****
* To clear the conversation do the receive with a dummy record of blanks*
* Translate the request to EBCDIC. *
*****

    move 0 to dummy-record-length.                               SRV11
    move spaces to dummy-record.

    call "LIB$TRA_ASC_EBC" using by descriptor dummy-record,
        dummy-record,
        giving status-result.

    perform 200-clear-receive through 200-clear-receive_x with test after
    until status-result = SNALU62$_DEALNOR
    or status-result is FAILURE.
```

(continued on next page)

Implementation Details of the Sample Application

14.1 Execution Flow of the Sample Task

Example 14–3 (Cont.) READ_EMPL_INFO COBOL Step Procedure

```

    if status-result is FAILURE
    then
        if not status-result = SNALU62$_DEALNOR
        go to 100-EXIT-PROGRAM.

*****
* Deallocate the conversation*
*****

    call "SNALU62$DEALLOCATE" using by reference resource-id,           SRV12
                                   by descriptor status-vec,
                                   by reference SNALU62$_K_LOCAL,
                                   giving status-result.

    if status-result is FAILURE
    go to 100-EXIT-PROGRAM.

100-EXIT-PROGRAM.
    EXIT PROGRAM.

200-clear-receive.

    call "SNALU62$RECEIVE_AND_WAIT" using                             SRV13
        by reference resource-id,
        by descriptor status-vec,
        by value 0,
        by reference dummy-record_length,rts-rec,
        by descriptor dummy-record,
        by reference what-received,
        giving status-result.

200-clear_receive_x.

```

Table 14–2 Description of Code for READ_EMPL_INFO COBOL Step Procedure

Callout	Description
SRV1	Defines the variables and data types that this COBOL procedure uses.
SRV2	Copies the EMPLOYEE_INFO_WKSP employee record definition from the CDD dictionary, and refers to the record definition as EMPLOYEE_INFO_LINKAGE_WKSP in this COBOL procedure.
SRV3	Calls the LIB\$TRA_ASC_EBC OpenVMS run-time library system routine, which translates the transaction name from the ASCII format used on HP systems to the EBCDIC format used on IBM systems.
SRV4	Calls the SYS\$CLREF OpenVMS system service, which clears the field for the event flag.
SRV5	Calls the SNALU62\$ALLOCATE APPC/LU6.2 procedure, which initiates a conversation (a short-term connection) between this COBOL procedure and the remote IBM CICS application.
SRV6	Calls the SYS\$WAITFR OpenVMS system service, which waits for the event flag to be set by the SNALU62\$ALLOCATE APPC/LU6.2 call. If the result of the attempt to initiate a conversation is a failure, the COBOL procedure is exited and control returns to the task.
SRV7	Calls the LIB\$TRA_ASC_EBC OpenVMS run-time library system routine, which translates the Employee ID number from the ASCII format used on HP systems to the EBCDIC format used on IBM systems.

(continued on next page)

Implementation Details of the Sample Application

14.1 Execution Flow of the Sample Task

Table 14–2 (Cont.) Description of Code for READ_EMPL_INFO COBOL Step Procedure

Callout	Description
SRV8	Calls the SNALU62\$SEND_DATA APPC/LU6.2 procedure, which sends the Employee ID number (in EBCDIC format) to the CICS application.
SRV9	Calls the SNALU62\$RECEIVE_AND_WAIT APPC/LU6.2 procedure, which waits for the CICS application to return the full employee record to this COBOL procedure.
SRV10	Calls the LIB\$TRA_EBC_ASC OpenVMS run-time library system routine, which translates the employee record from EBCDIC to ASCII format so that the data can be used on the HP system. The data is then copied to the EMPLOYEE_INFO_LINKAGE_WKSP workspace, so that it can be accessed by the ACMS task.
SRV11	Initializes a dummy record and translates that dummy record from ASCII to EBCDIC format. This cleanup work is done to clear the conversation with the IBM machine so that the next conversation can occur.
SRV12	Calls the SNALU62\$DEALLOCATE APPC/LU6.2 procedure, which deallocates the conversation (connection) between this COBOL procedure and the CICS application.
SRV13	Calls the SNALU62\$RECEIVE_AND_WAIT procedure, which waits for the dummy record to be returned to the COBOL procedure from the CICS application to clear the connection. Note that this call is actually made from SRV11 .

14.1.4 Display Form Definition

Example 14–4 shows the HP DECforms form definition (EMPLOYEE_INFO_FORM) that defines the characteristics for displaying the employee record on the user's terminal. The ACMS task uses this form to display the various fields of information in the employee record on the ACMS user's terminal.

This code is not hand-generated, but rather is generated by the HP DECforms Forms Development Environment, an easy-to-use interface for forms generation. Because this coding is computer-generated (programmers do not need to generate this code), there is no detailed explanation of the code following the example.

Example 14–4 EMPLOYEE_INFO_FORM Form Definition

```
Form EMPLOYEE_INFO_FORM
  Form Data
    EMPL_NUMBER Character (6)
    EMPL_NAME Character (20)
    EMPL_STREET_ADDRESS Character (20)
    EMPL_PHONE Character (8)
    EMPL_DATE Character (8)
    EMPL_AMOUNT Character (8)
    EMPL_COMMENT Character (9)
  End Data

  Form Record EMPLOYEE_INFO_RECORD
  copy
    employee_info_record from dictionary
  end copy
end record

Form Record CONTROL_WORKSPACE
  ERROR_STATUS_FIELD Character (4)
  MESSAGEPANEL Character (80)
End record
```

(continued on next page)

Implementation Details of the Sample Application

14.1 Execution Flow of the Sample Task

Example 14-4 (Cont.) EMPLOYEE_INFO_FORM Form Definition

```
/******  
*VT Layout *  
*****/  
  
Layout VT_LAYOUT  
  Device  
    Terminal  
      Type %VT100  
  End Device  
  Size 24 Lines by 80 Columns  
  
  Function QUIT_KEY  
    Is %PF4  
  End Function  
  
  Function Response QUIT_KEY  
    Remove All  
    Return  
      " FQUT"  
  End Response  
  
  Disable Response  
    Request Exit Response  
      Remove All  
    End Response  
  End Response  
  
  Receive Response EMPLOYEE_INFO_RECORD  
    Reset All  
    Display EMPLOYEE_INFO_PANEL  
    Activate Panel EMPLOYEE_INFO_PANEL  
  End Response  
  
  Send Response EMPLOYEE_INFO_RECORD  
    Display EMPLOYEE_INFO_PANEL  
    Activate Panel EMPLOYEE_INFO_PANEL  
    Position to Field EMPL_NAME on EMPLOYEE_INFO_PANEL  
  End Response  
  
  Send Response CONTROL_WORKSPACE  
    Activate Wait  
    Signal  
  End Response  
  
/******  
*Employee Info Panel Layout *  
*****/  
  
Panel EMPLOYEE_INFO_PANEL  
  
  Remove  
  
  Literal Text  
    Line 1  
    Column 13  
    Value "EMPLOYEE INFORMATION RECEIVED FROM THE IBM APPLICATION"  
  End Literal
```

(continued on next page)

Implementation Details of the Sample Application

14.1 Execution Flow of the Sample Task

Example 14–4 (Cont.) EMPLOYEE_INFO_FORM Form Definition

```
Literal Text
  Line 5
  Column 1
  Value "Employee number:"
End Literal

Literal Text
  Line 7
  Column 1
  Value "Employee name:"
End Literal

Literal Text
  Line 8
  Column 1
  Value "Address:"
End Literal

Literal Text
  Line 9
  Column 1
  Value "Phone:"
End Literal

Literal Text
  Line 10
  Column 1
  Value "Hire Date:"
End Literal

Literal Text
  Line 11
  Column 1
  Value "Amount:"
End Literal

Literal Text
  Line 12
  Column 1
  Value "Comments:"
End Literal

Literal Text
  Line 16
  Column 1
  Value "Press PF4 to continue."
End Literal

Field EMPL_NUMBER
  Line 5
  Column 19
  Output Picture X(6)
End Field

Field EMPL_NAME
  Line 7
  Column 19
  Output Picture X(20)
End Field
```

(continued on next page)

Implementation Details of the Sample Application

14.1 Execution Flow of the Sample Task

Example 14–4 (Cont.) EMPLOYEE_INFO_FORM Form Definition

```
Field EMPL_STREET_ADDRESS
  Line 8
  Column 19
  Output Picture X(20)
End Field

Field EMPL_PHONE
  Line 9
  Column 19
  Output Picture X(8)
End Field

Field EMPL_DATE
  Line 10
  Column 19
  Output Picture X(8)
End Field

Field EMPL_AMOUNT
  Line 11
  Column 19
  Output Picture X(8)
End Field

Field EMPL_COMMENT
  Line 12
  Column 19
  Output Picture X(9)
End Field

End Panel

End Layout
End Form
```

14.2 Application, Task Group, and Menu Definitions

This section describes the code that:

- Sets the environment and control characteristics of tasks and task groups (EMPLOYEE_INFO_APPL_ACMS_APPC application definition)
- Sets the resources required by a task or group of tasks (EMPLOYEE_INFO_TASK_GROUP task definition)
- Displays a list from which terminal users can choose available tasks (EMPLOYEE_INFO_MENU menu definition)

14.2.1 Application Definition

Example 14–5 is an ACMS application definition (EMPLOYEE_INFO_APPL_ACMS_APPC) that defines the characteristics for the application, the servers, and the task groups.

Table 14–3 describes the coding in the EMPLOYEE_INFO_APPL_ACMS_APPC application definition in more detail.

Implementation Details of the Sample Application

14.2 Application, Task Group, and Menu Definitions

Example 14–5 EMPLOYEE_INFO_APPL_ACMS_APPC Application Definition

```
REPLACE APPLICATION EMPLOYEE_INFO_APPL_ACMS_APPC APP1
AUDIT;
APPLICATION USERNAME IS EMPLOYEE_EXC;

SERVER DEFAULTS ARE APP2
AUDIT;
USERNAME IS EMPL_SERVER;
MAXIMUM SERVER PROCESSES IS 1;
MINIMUM SERVER PROCESSES IS 1;
END SERVER DEFAULTS;

TASK DEFAULTS ARE APP3
AUDIT;
END TASK DEFAULTS;

TASK GROUPS ARE APP4
EMPLOYEE_INFO_TASK_GROUP:
TASK GROUP FILE IS "ACMS_APPC_FILES:EMPLOYEE_INFO_TASK_GROUP.TDB";
END TASK GROUPS;
END DEFINITION;
```

Table 14–3 Description of Code for EMPLOYEE_INFO_APPL_ACMS_APPC Application Definition

Callout	Description
APP1	Replaces an old CDD dictionary application definition with the current application definition or creates a new definition if one does not already exist. Section 14.4 discusses the role of the CDD dictionary. The AUDIT clause indicates that application-level activities (such as starting and stopping the application) are noted in the ACMS audit log.
APP2	Describes the attributes for the procedure server. (The sample procedure server consists of three procedures combined into a single server: the COBOL database inquiry procedure, the initialization procedure, and the termination procedure.) The AUDIT clause indicates that server-level activities (such as the calling of servers, including the time and user name of the caller) are noted in the ACMS audit log.
APP3	Describes the defaults for each task. The AUDIT clause indicates that task-level activities (such as the calling of tasks, including the time and user name of the caller) are noted in the ACMS audit log.
APP4	Lists the task groups that are associated with this particular application. Although this sample has a single task and a single task group, ACMS applications often consist of several tasks in each task group, and several task groups in each application.

14.2.2 Task Group Definition

Example 14–6 is an ACMS task group definition (EMPLOYEE_INFO_TASK_GROUP). The task group definition specifies:

- DECforms form file information
- Tasks that belong to the group
- Procedures that are in each server
- Workspaces used by the tasks

Implementation Details of the Sample Application

14.2 Application, Task Group, and Menu Definitions

Table 14–4 describes the coding in the EMPLOYEE_INFO_TASK_GROUP task group definition in more detail.

Example 14–6 EMPLOYEE_INFO_TASK_GROUP Task Group Definition

```

REPLACE GROUP EMPLOYEE_INFO_TASK_GROUP GRP1
  FORM IS EMPLOYEE_INFO_FORM IN "ACMS_APPC_FILES:EMPLOYEE_INFO_FORM" GRP2
    WITH NAME EMPLOYEE_INFO_LABEL;
  FORM IS EMPLOYEE_INFO_PROMPT_FORM
    IN "ACMS_APPC_FILES:EMPLOYEE_INFO_PROMPT_FORM"
    WITH NAME EMPLOYEE_INFO_PROMPT_LABEL;
TASKS ARE GRP3
  EMPLOYEE_INFO_READ_TASK : TASK IS EMPLOYEE_INFO_READ_TASK;
END TASKS;

SERVER IS GRP4
  EMPL_SERVER :
    DEFAULT OBJECT FILE IS EMPL_SERVER;
    PROCEDURE SERVER IMAGE IS "ACMS_APPC_FILES:EMPL_SERVER";
    INITIALIZATION PROCEDURE IS INIT_EMPL_INFO;
    TERMINATION PROCEDURE IS TERM_EMPL_INFO;
    PROCEDURES ARE
      READ_EMPL_INFO;
END SERVER;

WORKSPACES ARE GRP5
  EMPLOYEE_INFO_WKSP,
  EMPLOYEE_INFO_WKSP WITH NAME EMPLOYEE_INFO_COMPARE_WKSP,
  QUIT_WORKSPACE,
  CONTROL_WORKSPACE;

END DEFINITION;

```

Table 14–4 Description of Code for EMPLOYEE_INFO_TASK_GROUP Task Group Definition

Callout	Description
GRP1	Replaces an old CDD dictionary task group definition with the current task group definition or creates a new definition if one does not already exist. Section 14.4 discusses the role of the CDD dictionary.
GRP2	Lists the DECforms form files that are used by the tasks in the task group, the location of those forms on the system, and the label (for reference) that is used within the task definition for each form.
GRP3	Lists the task definition files that are associated with that task group, and the label that is used for each task. (Typically, the label is the same as the file name, but can be changed for special circumstances.) Note that this particular task group definition names only one task, because this application has only one task, a database inquiry task.
GRP4	Defines the contents of the procedure server named EMPL_SERVER. The procedure server is a single process that manages the initialization procedure (INIT_EMPL_INFO), the termination procedure (TERM_EMPL_INFO), and all the step procedures (in this case, just a single COBOL procedure named READ_EMPL_INFO).
GRP5	Lists the different workspaces used by the tasks, forms, and procedures in that group. Workspaces are buffers used for passing data between steps in a task, between a task and a procedure, between a task and a form, and between two or more tasks.

Implementation Details of the Sample Application 14.2 Application, Task Group, and Menu Definitions

14.2.3 Menu Definition

Example 14–7 is an ACMS menu definition (EMPLOYEE_INFO_MENU) that defines the contents of the inquiry menu panel displayed to users. Terminal users can select tasks from this menu. In this example, the menu contains only one task, the inquiry task. In larger applications, multiple options (tasks) are offered on the menu.

Table 14–5 describes the coding in the EMPLOYEE_INFO_MENU menu definition in more detail.

Example 14–7 EMPLOYEE_INFO_MENU Menu Definition

```
REPLACE MENU EMPLOYEE_INFO_MENU MEN1
HEADER IS      "          ACMS to IBM Personnel Lookup System"; MEN2
ENTRIES ARE MEN3
"INQUIRY" : TASK IS EMPLOYEE_INFO_READ_TASK IN EMPLOYEE_INFO_APPL_ACMS_APPC;
            TEXT IS "Inquiry to IBM for an employee record";

END ENTRIES;
END DEFINITION;
```

Table 14–5 Description of Code for EMPLOYEE_INFO_MENU Menu Definition

Callout	Description
MEN1	Replaces an old CDD dictionary menu definition with the current menu definition or creates a new definition if one does not already exist. Section 14.4 discusses the role of the CDD dictionary.
MEN2	Defines the text to be displayed at the top of the ACMS menu (the name of the menu).
MEN3	Defines each menu item (in this case, there is only one menu item: INQUIRY). The menu definition also defines the name of the task definition for each option, the application that the task is in, and the text that is displayed next to each option on the menu.

14.3 Additional Procedure Server Components

This section describes the code that:

- Opens all the files and readies databases needed by a group of tasks (INIT_EMPL_INFO initialization procedure)
- Closes at one time all the files and any databases used by a group of tasks (TERM_EMPL_INFO termination procedure)

14.3.1 Initialization Procedure

Example 14–8 is the server initialization procedure (INIT_EMPL_INFO) written in COBOL. The server initialization procedure performs work that must be done before the step procedure executes. In this example, the procedure calls an SNA/LU6.2 routine to create the LU6.2 session with the remote IBM computer.

Note

Although COBOL is used in this example, users can create procedures using any programming language that supports the OpenVMS Calling Standard.

Implementation Details of the Sample Application

14.3 Additional Procedure Server Components

Table 14–6 describes the coding in the INIT_EMPL_INFO initialization procedure in more detail.

Example 14–8 INIT_EMPL_INFO Initialization Procedure

```

IDENTIFICATION DIVISION.
PROGRAM-ID. INIT_EMPL_INFO.

ENVIRONMENT DIVISION.
CONFIGURATION SECTION.
SOURCE-COMPUTER. VAX-11.
OBJECT-COMPUTER. VAX-11.
DATA DIVISION.

WORKING-STORAGE SECTION. INI1
01 status-result          pic S9(9)   comp is external.
01 status-vec             pic X(64)   is external.
01 lu-name                pic X(5)    is external.
01 nodename-gateway      pic X(6)    is external.
01 access-name            pic X(7)    is external.
01 session-status        pic X(1)    is external.
    88 session-connected      value 'Y'.
    88 session-not-connected value 'N'.
PROCEDURE DIVISION GIVING STATUS-RESULT.

MAIN SECTION.
000-SET-STATUS.

    Set status-result to SUCCESS.

010-DEFINE-REMOTE.

    Move "ALACK" to nodename-gateway. INI2
    Move "XDDXFTB" to access-name.
    Move SPACES to lu-name.
    Set session-not-connected to TRUE.

    Call "SNALU62$DEFINE_REMOTE" using INI3
        by descriptor status-vec,
        by descriptor lu-name,
        by descriptor lu-name,
        by value 0,0,0,0,0,0,
        by descriptor nodename-gateway,
        by descriptor access-name,
        giving status-result.

    IF status-result is SUCCESS INI4
        set session-connected to TRUE.

100-EXIT-PROGRAM.
EXIT PROGRAM.

```

Table 14–6 Description of Code for INIT_EMPL_INFO Initialization Procedure

Callout	Description
INI1	Defines the variables and data types that this procedure uses.
INI2	Initializes the variables that are used for making the connection with the IBM machine. (For example, the variable nodename-gateway is set to ALACK, the name of the HP machine that serves as the network gateway to the IBM network in this sample.)

(continued on next page)

Implementation Details of the Sample Application

14.3 Additional Procedure Server Components

Table 14–6 (Cont.) Description of Code for INIT_EMPL_INFO Initialization Procedure

Callout	Description
INI3	Calls the SNALU62\$DEFINE_REMOTE APPC/LU6.2 procedure, which initializes local LU parameters that control the operation of the local LU in conjunction with the remote LU (defines the LU name).
INI4	Tests the result of the SNALU62\$DEFINE_REMOTE APPC/LU6.2 procedure, and, if the operation is successful, sets the session-connected variable to TRUE.

14.3.2 Termination Procedure

Example 14–9 is the server termination procedure (TERM_EMPL_INFO) written in COBOL. The termination procedure performs any cleanup work that must be done before the procedure server runs down. In this example, the procedure calls an SNA/LU6.2 routine to delete the LU6.2 session with the remote IBM node.

Note

Although COBOL is used in this example, users can create procedures using any programming language that supports the OpenVMS Calling Standard.

Table 14–7 describes the coding in the TERM_EMPL_INFO termination procedure in more detail.

Example 14–9 TERM_EMPL_INFO Termination Procedure

```
IDENTIFICATION DIVISION.  
PROGRAM-ID. TERM_EMPL_INFO.  
  
ENVIRONMENT DIVISION.  
CONFIGURATION SECTION.  
SOURCE-COMPUTER. VAX-11.  
OBJECT-COMPUTER. VAX-11.  
DATA DIVISION.  
  
WORKING-STORAGE SECTION. TRM1  
  
01 status-vec          pic X(64)  is external.  
01 lu-name            pic X(5)    is external.  
01 status-result      pic S9(9)   comp.  
  
PROCEDURE DIVISION GIVING STATUS-RESULT.  
  
MAIN SECTION.  
000-SET-STATUS.  
    Set status-result to SUCCESS.  
  
010-DELETE_LU_SESSION.  
    call "SNALU62$DELETE" using by descriptor status-vec, TRM2  
                                by value 0,  
                                by descriptor lu-name,  
                                giving status-result.  
  
100-EXIT-PROGRAM.  
EXIT PROGRAM.
```

Implementation Details of the Sample Application

14.3 Additional Procedure Server Components

Table 14–7 Description of Code for TERM_EMPL_INFO Termination Procedure

Callout	Description
TRM1	Defines the variables and data types that this procedure uses.
TRM2	Calls the SNALU62\$DELETE APPC/LU6.2 procedure, which deletes the specified LU name. Any sessions without active conversations are immediately deactivated; sessions with active conversations are deactivated as soon as the conversation is deallocated.

14.4 Field and Record Definitions

This section describes some of the field and record definitions that are created and stored in the CDD data dictionary. By using the CDD data dictionary for central storage of field and record definitions, you can modify field and record definitions in one location without needing to make the same modifications to each of the various application components that use those definitions.

CDD is a data dictionary that provides a central storage location for data descriptions and definitions shared by ACMS, other related products (such as DECforms and Rdb), and programming languages. CDD is an active dictionary system that provides the user interface known as **Common Dictionary Operator** (CDO).

The dictionary contains metadata (descriptions of data, not the data itself) in the form of dictionary definitions. The most commonly used dictionary definitions are fields, records, and databases. CDD objects are stored hierarchically and are accessed by reference to dictionary path names.

A **field definition** describes the data that can be stored in a specific field in your application. Field definitions typically include information such as data type and size. In the sample program, the following employee fields are defined:

- Employee number
- Employee name
- Employee street address
- Employee phone
- Employee date
- Employee amount
- Employee comment

A **record definition** typically consists of a grouping of field definitions. The sample program defines a record named EMPLOYEE_INFO_RECORD, which contains a group of field definitions corresponding to the preceding fields.

In summary, CDD provides the following:

- Ensures the integrity of shared metadata and the procedures used to analyze, maintain, manage, and design business metadata
- Provides a centralized repository for information management shops
- Offers a dynamic aid to software application development

Implementation Details of the Sample Application

14.4 Field and Record Definitions

The CDD field definitions in Example 14–10 specify the information on each field used in the sample application. In addition to the name, each field definition also includes the data type and size (in characters) for each field.

Example 14–10 Field Definitions

```
define field empl_number
  datatype text size 6.

define field empl_name
  datatype text size 20.

define field empl_street_address
  datatype text size 20.

define field empl_phone
  datatype text size 8.

define field empl_date
  datatype text size 8.

define field empl_amount
  datatype text size 8.

define field empl_comment
  datatype text size 9.
```

The sample uses both a record and a workspace (workspaces are buffers used for passing data between steps in a task, between a task and a procedure, between a task and a form, and between two or more tasks). Example 14–11 shows both the record and workspace definitions contained in CDD for this sample.

Example 14–11 Record and Workspace Definitions

```
define record employee_info_record.
  empl_number.
  empl_name.
  empl_street_address.
  empl_phone.
  empl_date.
  empl_amount.
  empl_comment.
end record.

define record employee_info_wksp.
  empl_number.
  empl_name.
  empl_street_address.
  empl_phone.
  empl_date.
  empl_amount.
  empl_comment.
end record.
```


Part V

Appendixes

This part of the manual contains supplemental information that may be useful when writing server procedures for *HP ACMS for OpenVMS* applications.

Appendix A contains a summary of ACMS system workspaces. Appendix B lists the libraries included in the AVERTZ sample procedures. Appendix C describes superseded features of *HP ACMS for OpenVMS*.

Summary of ACMS System Workspaces

The three ACMS system workspaces are:

- ACMS\$PROCESSING_STATUS
- ACMS\$SELECTION_STRING
- ACMS\$TASK_INFORMATION

Each ACMS system workspace has a different purpose. All of the Common Data Definition Language (CDDL) record definitions for these workspaces are stored in the CDD\$TOP.ACMS\$DIR.ACMS\$WORKSPACES directory in the CDD. This appendix lists these workspaces and explains the uses of each.

A.1 ACMS\$PROCESSING_STATUS System Workspace

The ACMS\$PROCESSING_STATUS workspace handles processing status information. It has four fields, each for a different part of that information. The CDD location of the CDDL record definition for this workspace is CDD\$TOP.ACMS\$DIR.ACMS\$WORKSPACES.ACMS\$PROCESSING_STATUS.

Table A-1 describes the fields in the ACMS\$PROCESSING_STATUS workspace.

Summary of ACMS System Workspaces

A.1 ACMS\$PROCESSING_STATUS System Workspace

Table A-1 Fields in the ACMS\$PROCESSING_STATUS Workspace

ACMS\$L_STATUS

Type: Signed longword
 Description: Contains the return status from the last processing step. The initial value of the ACMS\$L_STATUS field is set to 1 (SUCCESS) when a task is started.

ACMS\$T_SEVERITY_LEVEL

Type: Text
 Size: 1 character
 Description: Contains a single-character severity level code representing the return status in the ACMS\$L_STATUS field. The characters this field can contain are: S (SUCCESS), I (INFORMATION), W (WARNING), E (ERROR), F (FATAL), or ? (OTHER). The initial value of ACMS\$T_SEVERITY_LEVEL is S.

ACMS\$T_STATUS_TYPE

Type: Text
 Size: 1 character
 Description: Contains a single-character severity level code representing the return status in the ACMS\$L_STATUS field. G indicates the low bit in the ACMS\$L_STATUS field is set to 1. B indicates the low bit is clear. The initial value of the ACMS\$T_STATUS_TYPE field is G.

ACMS\$T_STATUS_MESSAGE/ACMS\$T_STATUS_MESSAGE_LONG

Type: Text
 Size: 80/132 characters
 Description: ACMS\$T_STATUS_MESSAGE is an 80-character variant of the 132 character ACMS\$T_STATUS_MESSAGE_LONG field. When you use the GET ERROR MESSAGE clause, this field contains the error message associated with the return status code in ACMS\$L_STATUS. The ACMS\$T_STATUS_MESSAGE_LONG field is set initially to spaces.

Summary of ACMS System Workspaces

A.2 ACMS\$SELECTION_STRING System Workspace

A.2 ACMS\$SELECTION_STRING System Workspace

The ACMS\$SELECTION_STRING workspace handles strings passed by a task submitter (terminal user) at task selection time. This workspace has a single field. The CDD location of the CDDL record definition for this workspace is CDD\$TOP.ACMS\$DIR.ACMS\$WORKSPACES.ACMS\$SELECTION_STRING.

Table A-2 describes the field in the ACMS\$SELECTION_STRING workspace.

Table A-2 Field in the ACMS\$SELECTION_STRING Workspace

ACMS\$_SELECTION_STRING	
Type:	Text
Size:	255 characters
Description:	Contains the selection string provided by a terminal user at task selection time. If the user does not provide a selection string, ACMS sets the field to spaces. If the task is queued, the first 32 bytes of the selection string contain the queued task element ID.

A.3 ACMS\$TASK_INFORMATION System Workspace

The ACMS\$TASK_INFORMATION workspace handles task execution information. It has ten fields, each for a different part of that information. The CDD location of the CDDL record definition for this workspace is CDD\$TOP.ACMS\$DIR.ACMS\$WORKSPACES.ACMS\$TASK_INFORMATION.

Table A-3 describes the fields in the ACMS\$TASK_INFORMATION workspace.

Table A-3 Fields in the ACMS\$TASK_INFORMATION Workspace

ACMS\$_AL_TASK_ID	
Type:	Signed longword array
Size:	4 longwords
Description:	Contains the task ID in binary format for the current task instance; the ACMS\$_AL_TASK_ID field is a four-element longword array. It is possible for two task instances to have the same value if the tasks are selected on two different nodes. To ensure a unique task identifier, use both the ACMS\$_AL_TASK_ID field and the ACMS\$_SUBMITTER_NODE field.

ACMS\$_L_TASK_SEQUENCE_NUMBER	
Type:	Signed longword
Description:	Contains the number of the current task instance within the current task. This field always contains 1 when the task is initially selected from a menu. ACMS increments this number each time the user repeats the task or chains to another task, thus starting a new task instance without returning to the menu.

(continued on next page)

Summary of ACMS System Workspaces

A.3 ACMS\$TASK_INFORMATION System Workspace

Table A-3 (Cont.) Fields in the ACMS\$TASK_INFORMATION Workspace

ACMS\$T_TASK_NAME

Type: Text
Size: 31 characters
Description: Contains the task name as defined in the application under which the task is running. ACMS does not update this field when one task chains to another.

ACMS\$T_TASK_IO_DEVICE

Type: Text
Size: 8 characters
Description: Contains the device name for the task submitter. For remote users, the device name is always NL:. For local request I/O or terminal I/O users, this field includes the terminal device name. For stream I/O or no I/O, this field is set to spaces.

If this field contains a device name (not spaces or NL:), then the device can be used by the task to perform I/O from a processing step.

ACMS\$AL_TASK_SUBMITTER_ID

Type: Signed longword array
Size: 4 longwords
Description: Contains the current terminal user's identification code for the user who started the current task instance. This field is a four-element longword array.

ACMS\$T_TASK_USERNAME

Type: Text
Size: 12 characters
Description: Contains the OpenVMS user name for the terminal user who started the current task instance. For remote tasks, this is the name of the proxy.

ACMS\$T_SUBMITTER_NODE_NAME

Type: Text
Size: 15 characters
Description: Contains the DECnet node name for the task submitter.

ACMS\$L_CALL_SEQUENCE_NUMBER

Type: Signed longword
Description: Contains the call sequence number of the currently called task. ACMS increments this number each time a task calls another task.

(continued on next page)

Summary of ACMS System Workspaces

A.3 ACMS\$TASK_INFORMATION System Workspace

Table A-3 (Cont.) Fields in the ACMS\$TASK_INFORMATION Workspace

ACMS\$T_SIGN_IN_USERNAME

Type: Text

Size: 12 characters

Description: Contains the OpenVMS user name of the user on the submitter node.

If a submitter selects a remote task, then the user name under which that task runs may be different from the user name under which the submitter signed in. The contents of the ACMS\$T_TASK_USERNAME are based on the proxy lookup and user name defaulting mechanism and may differ from the ACMS\$T_SIGN_IN_USERNAME field.

If a submitter selects a local task, the ACMS\$T_SIGN_IN_USERNAME field is the same as the ACMS\$T_TASK_USERNAME field.

To distinguish between users that have the same name but reside on different nodes, use the ACMS\$T_SIGN_IN_USERNAME field with the ACMS\$T_SUBMITTER_NODE_NAME field to log the user name and the node location.

ACMS\$T_SIGN_IN_DEVICE

Type: Text

Size: 8 characters

Description: Contains the name of the device that was supplied to ACMS when the submitter signed in.

For applications using the ACMS command process, this field contains a terminal device name.

For applications using a user-written command process (agent), this field can contain a terminal device name, the name of a nonterminal device that the agent is handling, or the NL: device specification.

Use the ACMS\$T_SIGN_IN_DEVICE field in conjunction with the ACMS\$T_SUBMITTER_NODE_NAME field to log the device name and its node location. Use both fields to distinguish between devices that have the same name but reside on different nodes.

B

Libraries Included in AVERTZ Sample Procedures

This appendix lists the contents of the libraries referred to in procedures that are part of the AVERTZ sample application.

B.1 VR_MESSAGES_INCLUDE.LIB

```
*
* AVERTZ messages
*
* Informational
*
01 MULCURECFND          PIC S9(9) COMP VALUE IS EXTERNAL VR_MULCURECFND.
01 MULRSREFCFND        PIC S9(9) COMP VALUE IS EXTERNAL VR_MULRSREFCFND.
01 VEUPGPRF           PIC S9(9) COMP VALUE IS EXTERNAL VR_VEUPGPRF.
01 VEDNGPRF           PIC S9(9) COMP VALUE IS EXTERNAL VR_VEDNGPRF.
01 CURECUPD           PIC S9(9) COMP VALUE IS EXTERNAL VR_CURECUPD.
01 CURECINS           PIC S9(9) COMP VALUE IS EXTERNAL VR_CURECINS.
01 CHKINCOMP          PIC S9(9) COMP VALUE IS EXTERNAL VR_CHKINCOMP.
01 CHKOUTCOM          PIC S9(9) COMP VALUE IS EXTERNAL VR_CHKOUTCOM.
01 RESVCOMP           PIC S9(9) COMP VALUE IS EXTERNAL VR_RESVCOMP.
01 VERECFND           PIC S9(9) COMP VALUE IS EXTERNAL VR_VERECFND.
01 RESSUCCNCLD        PIC S9(9) COMP VALUE IS EXTERNAL VR_RESSUCCNCLD.
*
* Warning
*
01 CURECNOTFND        PIC S9(9) COMP VALUE IS EXTERNAL VR_CURECNOTFND.
01 RCRECNOTFND        PIC S9(9) COMP VALUE IS EXTERNAL VR_RCRECNOTFND.
01 RERECNOTFND        PIC S9(9) COMP VALUE IS EXTERNAL VR_RERECNOTFND.
01 RSRECNOTFND        PIC S9(9) COMP VALUE IS EXTERNAL VR_RSRECNOTFND.
01 SIRECNOTFND        PIC S9(9) COMP VALUE IS EXTERNAL VR_SIRECNOTFND.
01 VERECNOTFND        PIC S9(9) COMP VALUE IS EXTERNAL VR_VERECNOTFND.
01 VRHRECNOTFND       PIC S9(9) COMP VALUE IS EXTERNAL VR_VRHRECNOTFND.
01 NOTCHKOUT          PIC S9(9) COMP VALUE IS EXTERNAL VR_NOTCHKOUT.
01 RESCNCLD           PIC S9(9) COMP VALUE IS EXTERNAL VR_RESCNCLD.
01 CARCHKIN           PIC S9(9) COMP VALUE IS EXTERNAL VR_CARCHKIN.
01 CARCHKOUT          PIC S9(9) COMP VALUE IS EXTERNAL VR_CARCHKOUT.
01 RESCLOSED          PIC S9(9) COMP VALUE IS EXTERNAL VR_RESCLOSED.
01 DLRENOTFND         PIC S9(9) COMP VALUE IS EXTERNAL VR_DLRENOTFND.
01 NOCANCEL           PIC S9(9) COMP VALUE IS EXTERNAL VR_NOCANCEL.
01 INACTIVE           PIC S9(9) COMP VALUE IS EXTERNAL VR_INACTIVE.
01 DDTM_TIMEOUT       PIC S9(9) COMP VALUE IS EXTERNAL VR_DDTM_TIMEOUT.
*
* Error
*
01 NO_DUP              PIC S9(9) COMP VALUE IS EXTERNAL VR_NO_DUP.
01 DEADLOCK            PIC S9(9) COMP VALUE IS EXTERNAL VR_DEADLOCK.
01 INTEG_FAIL          PIC S9(9) COMP VALUE IS EXTERNAL VR_INTEG_FAIL.
01 LOCK_CONFLICT       PIC S9(9) COMP VALUE IS EXTERNAL VR_LOCK_CONFLICT.
01 CAR_UNAVAILABLE     PIC S9(9) COMP VALUE IS EXTERNAL VR_CAR_UNAVAILABLE.
01 CHK_CANCL_ERR       PIC S9(9) COMP VALUE IS EXTERNAL VR_CHK_CANCL_ERR.
01 HIST_WRITE_ERR      PIC S9(9) COMP VALUE IS EXTERNAL VR_HIST_WRITE_ERR.
01 UPDATE_ERROR        PIC S9(9) COMP VALUE IS EXTERNAL VR_UPDATE_ERROR.
*
* Fatal
*
01 BILLERR             PIC S9(9) COMP VALUE IS EXTERNAL VR_BILLERR.
```

Libraries Included in AVERTZ Sample Procedures

B.1 VR_MESSAGES_INCLUDE.LIB

```
01 DB_FATAL          PIC S9(9) COMP VALUE IS EXTERNAL VR_DB_FATAL.
01 ICRECNOTFND      PIC S9(9) COMP VALUE IS EXTERNAL VR_RCRECNOTFND.
```

B.2 VR_LITERALS_INCLUDE.LIB

```
01 C-ZERO           PIC X VALUE "0".
01 C-NINE           PIC X VALUE "9".
01 C-ONE            PIC X VALUE "1".
01 NEG-ONE          PIC S9(4) COMP VALUE -1.
```

B.3 VR_SQL_STATUS_INCLUDE.LIB

```
*
* Define the SQL return status
*
01 SQL_NOTFOUND     PIC S9(9) COMP VALUE +100.
01 SQL_NO_DUP       PIC S9(9) COMP VALUE -803.
01 SQL_DLOCK        PIC S9(9) COMP VALUE -913.
01 SQL_INTEGFAIL    PIC S9(9) COMP VALUE -1001.
01 SQL_LOCK         PIC S9(9) COMP VALUE -1003.
01 SQL_SELMORVAL    PIC S9(9) COMP VALUE -811.
*
```

B.4 VR_CONTEXT_STRUCTURE_INCLUDE.LIB

```
01 CONTEXT-STRUCTURE.
02 CS-VERSION       PIC S9(9) COMP VALUE 1.
02 CS-TYPE          PIC S9(9) COMP VALUE 1.
02 CS-LENGTH        PIC S9(9) COMP VALUE 16.
02 CS-TID           PIC X(16).
02 CS-END           PIC S9(9) COMP VALUE 0.
```

Superseded Features

This appendix describes features used in earlier versions of ACMS. Although you can continue to use these features, they have been superseded by new features and are considered to be declining functionality.

ACMSAD\$REQ_CANCEL

ACMSAD\$REQ_CANCEL

Cancels a task. ACMS writes the task cancellation to the audit trail log. When you include a reason parameter, the call also writes the reason for the cancellation to the audit trail log.

Note

This programming service is a declining feature. Beginning with ACMS Version 3.2, use ACMS\$RAISE_NONREC_EXCEPTION to raise an exception that cancels a task.

Format

ACMSAD\$REQ_CANCEL ((reason.rl.r))

Parameter

reason

Optional longword address of the reason for canceling, passed by reference as a read-only longword value.

Return Status

The ACMSAD\$REQ_CANCEL service can return the following status values:

Status	Severity Level	Description
ACMS\$_NORMAL	Success	Normal successful completion.
ACMS\$_PENDING	Informational	Successful operation pending asynchronous completion.
ACMS\$_EXCPTNACTIVE	Error	An exception of the same or higher level has already been raised. The existing exception is raised in the task as soon as the step procedure completes.
ACMS\$_INVREQCANREASON	Error	Task canceled: invalid cancel reasons passed to ACMS\$_INVREQCANREASON.
ACMS\$_NOCANCELCANPROC	Error	ACMSAD\$REQ_CANCEL service may not be called from a server cancel procedure.
ACMS\$_TASKNOTACTRC	Fatal	ACMSAD\$REQ_CANCEL service may not be called when no task is active.

Notes

The optional parameter *reason* must be a condition value. For example, the parameter can be a symbol in a message file you have created, or it can be an OpenVMS or RMS condition value.

If a reason (that is, an exception code) is not supplied, ACMS uses ACMS\$_CANCEL_PROCSVR, "Cancel resulting from procedure server calling ACMSAD\$REQ_CANCEL." If a reason is supplied, it must be a failure status. If a reason is supplied that is not a failure status, then ACMS cancels the task with a status of ACMS\$_INVCANCELREASON, "invalid cancel reason."

The behavior of ACMSAD\$REQ_CANCEL depends on whether or not AST delivery is enabled. If the ACMSAD\$REQ_CANCEL service is called with AST delivery enabled, then the nonrecoverable exception is raised immediately, and the service does not return to the procedure. If the ACMSAD\$REQ_CANCEL service is called with AST delivery disabled, then the service returns ACMS\$_PENDING, and the nonrecoverable exception is raised when AST delivery is once again enabled. Note that the step procedure must enable AST delivery before completing.

This service cannot be called from a cancel procedure or from an initialization or a termination procedure.

Examples

```
1. WORKING-STORAGE SECTION.
   01 CNCL_MSG          PIC S9(5)
                               VALUE IS EXTERNAL "MSG_CANCEL".

   PROCEDURE DIVISION.
   .
   .
   .
   CALL "ACMSAD$REQ_CANCEL" USING CNCL_MSG.
```

In this COBOL example, MSG_CANCEL is a message symbol in an external message file. CNCL_MSG is a data item declared with MSG_CANCEL as its value.

```
2. CALL ACMSAD$REQ_CANCEL
```

This BASIC example shows how to cancel the task with the default reason of ACMS\$_ACMSTP_CALL, ACMSI-E-ACMSTP_CALL, "Cancel resulting from procedure server calling ACMSAD\$REQ_CANCEL."

Index

@

See At sign (@)

A

\$ABORT_TRANS, 3-6

ACCEPT

command Task Debugger, 7-27

Task Debugger command, 10-4

Access

characteristic

for DBMS realms, 4-31

keywords for defining, 4-31

mode

DBMS, 4-31

mode for opening files, 2-13

specifying, 2-6

types

with Programming Services, 9-2

ACMS\$AL_TASK_ID, A-3

ACMS\$AL_TASK_SUBMITTER_ID, A-4

ACMS\$DEBUG_AGENT_TASK

defining, 7-28

ACMS\$DEBUG_SERVER

logical name, 8-4

ACMS\$ESC_RTN, 7-7

ACMS\$GET_TID, 9-1, 9-3

return status, 9-3

to obtain and store in context structure, 4-6

using, 3-7

using with Rdb and DBMS, 3-7

with DBMS, 4-30

ACMS\$L_CALL_SEQUENCE_NUMBER, A-4

ACMS\$L_STATUS, 3-9, A-2

ACMS\$L_TASK_SEQUENCE_NUMBER, A-3

ACMS\$PROCESSING_STATUS, 3-2, A-1

ACMS\$L_STATUS, 3-9

ACMS\$T_SEVERITY_LEVEL, 3-9

ACMS\$T_STATUS_MESSAGE, 3-9

ACMS\$T_STATUS_TYPE, 3-9

checking values during debugging, 7-23

contains status values, 3-8

fields in, 3-9, A-2

initial values in fields, 3-10

to return status from procedure, 3-17

ACMS\$RAISE_NONREC_EXCEPTION, 3-21,

4-13, 9-1, 9-5

return status, 9-5

to replace ACMSAD\$REQ_CANCEL, 3-20

ACMS\$RAISE_STEP_EXCEPTION, 3-20, 9-1,

9-7

AST delivery disabled, 9-8

AST delivery enabled, 9-8

return status, 9-7

ACMS\$RAISE_TRANS_EXCEPTION, 3-20, 4-13,

9-1, 9-9

AST delivery disabled, 9-10

AST delivery enabled, 9-10

return status, 9-9

ACMS\$SELECTION_STRING, 3-2, A-3

ACMS\$SIGN_IN

using to debug tasks called by agent programs,

7-26

ACMS\$TASK_INFORMATION, 3-2

fields in, A-3

ACMS\$T_SELECTION_STRING, A-3

ACMS\$T_SEVERITY_LEVEL, 3-9, A-2

table of values, 3-9

ACMS\$T_SIGN_IN_DEVICE, A-5

ACMS\$T_SIGN_IN_USERNAME, A-4

ACMS\$T_STATUS_MESSAGE, 3-9, A-2

ACMS\$T_STATUS_TYPE, 3-9, A-2

table of values, 3-9

ACMS\$T_SUBMITTER_NODE_NAME, A-4

ACMS\$T_TASK_IO_DEVICE, A-4

ACMS\$T_TASK_NAME, A-3

ACMS\$T_TASK_USERNAME, A-4

ACMS\$ACMSTP_CALL, C-3

ACMS\$ALRDYCANCELING, C-2

ACMS\$EXCPTNACTIVE, 9-5, 9-8, 9-10, C-2

ACMS\$INSUFPRM, 9-3

ACMS\$INVCANCELREASON, C-3

ACMS\$INVNONRECEXCODE, 9-5

ACMS\$INVNUMARGS, 9-3

ACMS\$INVREQCANREASON, C-2

ACMS\$INVSTPEXCCODE, 9-8

ACMS\$INVTIDARG, 9-3

ACMS\$INVTRANSEXCCODE, 9-10

ACMS\$NOCANCELCANPROC, C-2

ACMS\$NOEXCPTNCANPRO, 9-5, 9-8, 9-10

ACMS\$_NOGETTIDCANPROC, 9-3
 ACMS\$_NONRECEXCPTN_PROCSVR, 9-6
 ACMS\$_NORMAL, 9-3, 9-5, 9-8, 9-10, C-2
 ACMS\$_NO_ACTIVE_TASK, C-2
 ACMS\$_NRNDWN, 2-33
 ACMS\$_PENDING, C-2
 ACMS\$_RNDWN, 2-33
 ACMS\$_RNDWNIFINT, 2-33
 ACMS\$_STPEXCPTN_PROCSVR, 9-8
 ACMS\$_TASKNOTACTGT, 9-3
 ACMS\$_TASKNOTACTNRE, 9-5
 ACMS\$_TASKNOTACTRC, C-2
 ACMS\$_TASKNOTACTSE, 9-8
 ACMS\$_TASKNOTACTTE, 9-10
 ACMS\$_TRANSEXCNOTACT, 9-10
 ACMS\$_TRANSEXCPTN_PROCSVR, 9-10
 ACMS\$_TRANSNOTACT, 9-3
 ACMS\$_TSKCANINVARGS, 9-5, 9-8, 9-10
 ACMS/DEBUG
 command
 AGENT_HANDLE qualifier, 7-27
 to start Task Debugger, 7-9
 WORKSPACE qualifier, 7-10
 ACMS/DEBUG/SERVER
 command, 8-3, 8-4
 ACMS/MODIFY APPLICATION
 command
 to get server process dump, 8-5
 ACMS/REPLACE SERVER
 command, 8-3, 8-5
 ACMS/SHOW SERVER
 command
 to get server process name and PID, 8-4
 ACMSAD\$REQ_CANCEL, 3-19, 9-1, C-2
 return status, C-2
 ACMSDBG
 See also Task Debugger
 ACMS Task Debugger prompt
 using `[Ctrl/G]` to return to, 7-25
 Task Debugger command, 10-1
 using command, 7-2
 ACMS-E-NONRECEXCPTN_PROCSVR, 9-6
 ACMS-E-STPEXCPTN_PROCSVR, 9-8
 ACMS-E-TRANSEXCNOTACT, 9-10
 ACMS-E-TRANSEXCPTN_PROCSVR, 9-10
 ACMSEXC-E-INVNONRECEXCCODE, 9-6
 ACMSEXC-E-INVSTPEXCPTNCODE, 9-8
 ACMSEXC-E-INVTRANSEXCXCODE, 9-10
 ACMSI-E-ACMSTP_CALL, C-3
 ACMS system
 programming services, 9-1
 \$ACTION
 location breakpoint symbol, 7-15
 Agent program
 accepting calls from, 10-4
 debugging tasks called by, 7-26
 logical names before running, 7-28
 running with debugger, 7-28

Agent program (cont'd)
 starting the Task Debugger for, 7-27
 AGENT_HANDLE
 qualifier for ACMS/DEBUG command, 7-27
 ALL
 qualifier
 with CANCEL BREAK, 7-21
 with STOP command, 7-12
 qualifier with CANCEL BREAK command,
 10-6
 Allow characteristic
 for DBMS realms, 4-31
 keywords for defining, 4-31
 Allow mode
 DBMS, 4-31
 ANALYZE/PROCESS_DUMP
 command
 OpenVMS Debugger, 8-7
 Application
 defining, 8-1
 programming
 SQL step procedures, 4-2
 setting up for production, 8-1
 ASSIGN
 command
 Task Debugger, 7-10, 10-5
 setting default for, 10-18
 AST
 See Asynchronous system trap
 Asynchronous system trap, 2-30
 delivery enabled/disabled with ACMS\$RAISE_
 STEP_EXCEPTION, 9-8
 delivery enabled/disabled with ACMS\$RAISE_
 TRANS_EXCEPTION, 9-10
 disabling, 2-30
 enabling, 2-30
 At sign (@)
 command
 Task Debugger, 7-15, 10-3

B

BASIC
 cancel procedures, 2-37
 closing files, 2-19
 DBMS initialization procedures, 2-12
 initialization procedure, 2-18
 opening files, 2-18
 Rdb initialization procedures, 2-8
 Rdb termination procedures, 2-21
 RMS initialization procedures, 2-19
 RMS termination procedures, 2-24
 statements
 INPUT, 3-22
 PRINT, 3-22
 UNLOCK EXPLICIT, 2-18

\$BEGIN
 location breakpoint symbol, 7-15

Binding to database
 in initialization procedures, 2-3
 methods of, 2-3

Breakpoints
 canceling, 7-21, 10-6
 continuing after, 7-22
 definition of, 7-14
 displaying, 7-16, 10-20
 event, 7-16
 location, 7-15
 removing, 7-21
 setting, 7-14
 in step procedures, 7-21
 in tasks called by other tasks, 7-20
 with SET BREAK command, 10-17

\$STEP_n, 7-16
 types of, 7-15
 using dump file to set, 7-17

Building
 procedure server images, 6-1

C

Cancel
 rundown server on, 2-25

\$CANCEL
 event breakpoint symbol, 7-16

CANCEL BREAK
 command
 Task Debugger, 10-6
 using, 7-21

Canceling
See also Cancel procedures
 breakpoints, 7-21, 10-6
 tasks, 10-7
 ACMSAD\$REQ_CANCEL, C-2
 termination procedures, 2-19
 transaction timeout, 10-8

Canceling tasks
CANCEL TASK
 Task Debugger command, 7-21

Cancel procedures, 1-2, 2-1
 ACMS\$_NRNDWN, 2-33
 ACMS\$_RNDWN, 2-33
 ACMS\$_RNDWNIFINT, 2-33
 avoiding, 2-26
 COBOL, 2-35
 compiling, 6-2
 conditions for calling, 2-31
 declared in task group, 1-3
 for Rdb files
 BASIC, 2-37
 for Rdb with RDO, 2-34
 BASIC, 2-34
 for RMS files, 2-35
 guidelines for avoiding, 2-28

Cancel procedures (cont'd)
 in distributed transactions, 2-32
 in nondistributed transactions, 2-32
 naming in task group, 2-33
 purpose of, 2-33
 releasing locked records, 2-26
 releasing memory after LIB\$GET_VM, 2-27
 releasing terminal channels, 2-33
 rolling back database transaction, 2-27
 to close channel, 3-23
 when to use, 2-29
 when unavoidable, 2-29
 with NO RUNDOWN clause, 2-26
 with RMS files, 2-29
 workspaces not passed to, 2-32
 writing, 2-32

CANCEL TASK
 command
 Task Debugger, 7-21, 10-7

CANCEL TRANSACTION_TIMEOUT
 command
 Task Debugger, 7-24, 10-8

CDD
 storing copies of workspace, 3-3
 workspace record definition, 3-3

Channels
 closing, 2-27

CMKRNL
 privilege in debugging, 8-4

COBOL
 APPLY LOCK-HOLDING statement, 2-14
 cancel procedures, 2-35
 closing files, 2-19
 GIVING statement, 2-14
 initialization procedures, 2-6, 2-8, 2-14
 naming step procedures, 1-6
 opening files, 2-1
 SELECT statement, 2-14
 SQL example, 4-1
 statements
 ACCEPT, 3-22
 DISPLAY, 3-22
 GIVING, 3-3
 USING, 3-3
 step procedures
 RDO with Rdb, 4-20
 SQL with Rdb, 4-15
 testing FILE-STAT, 2-14

Command files
 submitting Task Debugger commands as, 7-15

Command procedures
 running in Task Debugger, 10-3

Commands (Task Debugger)
 ACCEPT, 10-4
 ASSIGN, 10-5
 At sign (@), 10-4, 10-7
 CANCEL BREAK, 10-6
 CANCEL TASK, 10-7

Commands (Task Debugger) (cont'd)

- CANCEL TRANSACTION_TIMEOUT, 10-8
- comment lines, 10-3
- DEPOSIT, 10-9
- EXAMINE, 10-10
- EXIT, 10-11
- GO, 10-12
- HELP, 10-13
- INTERRUPT, 10-14
- SELECT, 10-16
- SET BREAK, 10-17
- SET TRANSACTION_TIMEOUT, 10-19
- SHOW BREAK, 10-20
- SHOW SERVERS, 10-21
- SHOW TRANSACTION_TIMEOUT, 10-22
- SHOW VERSION, 10-23
- START, 10-24
- STEP, 10-26
- STOP, 10-27

COMMIT

- DBMS statement, 2-11
- DML statement, 3-6
- removing statement, 3-8
- SQL statement, 4-8
- statement
 - with distributed transactions, 3-5

Compiling

- escape routines
 - using /DEBUG qualifier, 7-6
- initialization, termination, and cancel
 - procedures, 6-2
- message files, 5-4, 5-6
- procedures, 7-3
- procedures that use DBMS DML, 4-40
- procedures that use RDO, 4-27
- procedures that use SQL, 4-15
- step procedures, 6-2

Context

- See* Servers, context

Context structure

- defining SQL, 4-5
 - in BASIC, 4-5
 - in COBOL, 4-5
- passing to SQL, 4-6
- storing TID in, 4-6

CONTINUOUS

- qualifier with ACCEPT Task Debugger
 - command, 10-4

Control characters

- with Task Debugger, 7-9

Copying records

- from CDD to COBOL procedures, 2-14

CREATE

- logical name table, 7-6

Ctrl/G

- to interrupt server in debugging, 8-5
- to return to Task Debugger prompt, 7-25
- using while debugging, 7-9

Ctrl/G (cont'd)

- using with Task Debugger, 10-7, 10-8, 10-14

Ctrl/Z

- to stop debugging session, 8-5
- using while debugging, 7-9

Current

- server, 10-18

D

Databases

- access mode
 - specifying, 2-6
- attaching to DBMS, 2-10
- binding
 - in initialization procedures, 2-3
- binding to, 2-1
- DBMS
 - reading from, 4-32
 - writing to, 4-34
- declaring, 4-4
- defining, 4-4
- handling errors
 - nonrecoverable, 4-13
 - recoverable, 4-13
 - SQL, 4-12
- handling transaction aborts, 4-13
- reading from, 4-23
 - Rdb, 4-10
- relations
 - specifying, 2-6
- releasing DBMS, 2-22
- releasing Rdb, 2-20, 2-21
- unbinding, 2-19
- updating, 4-24
- writing to, 4-24
 - Rdb, 4-11

Database transactions

- DBMS, 4-29
 - independent, 4-30
- definition of, 3-6
- ending, 3-7
- independent
 - starting and ending, 4-8
- independent transaction
 - RDO, 4-23
- part of distributed transaction, 4-7
 - RDO, 4-21
- passing TID, 3-7
- rolling back with cancel procedure, 2-29
- SQL
 - starting and ending, 4-7
- starting, 3-7
- starting and ending
 - RDO, 4-21
- starting SQL, 4-7, 4-8
- with distributed transaction, 3-7

Data types

with Programming Services, 9-2

DBG\$INPUT

logical name for debugging, 7-8

DBM\$SIGNAL

to return fatal error status, 2-11

to signal error condition, 2-3

DBM\$_ALLREADY

error, 2-12

DBMS

access characteristic, 4-31

access mode, 4-31

allow characteristic, 4-31

allow mode, 4-31

attaching to database, 2-10

BASIC initialization procedures, 2-12

binding subschemas, 2-10

COBOL procedure, 4-34

COMMIT statement, 2-11

DBM\$_ALLREADY error, 2-12

DBO/OPEN command, 2-11

handling errors, 4-37

initialization procedures, 2-10

reading from database, 4-32

READY statement, 2-11, 3-7

recovery, 3-7

releasing databases, 2-22

setting lock timeout interval, 3-7

starting and ending database transactions,
4-29, 4-30

subschemas in initialization procedures, 2-11

termination procedures, 2-22

wait mode, 4-31

writing step procedure to access, 4-28

writing to database, 4-34

DEBUG

qualifier

BUILD GROUP command, 7-3

compiling escape routines, 7-6

compiling with, 7-3

linking with, 7-3

qualifier with COBOL COMPILE command,
6-2

qualifier with LINK command, 6-5

Debugging

See also Debugging procedures

HP DECforms escape routines, 7-6

tasks

See Debugging tasks

using the FORMS\$DEBUG_ESCAPE_
ROUTINES logical name, 7-7

Debugging procedures

See also OpenVMS Debugger

in run-time environment, 8-3

invoking debugger, 8-4

replacing faulty server, 8-3

using the OpenVMS Debugger, 7-25

Debugging tasks

See also Task Debugger

assigning logical names, 7-10, 10-5

breakpoints with, 7-16

building task group, 7-3

called by other tasks, 7-20

called from user-written agent programs, 7-26

canceling breakpoints, 10-6

canceling tasks, 10-7

canceling transaction timeout, 10-8

changing variables, 7-2

changing workspace contents, 7-2, 10-9

checking

ACMS\$PROCESSING_STATUS workspace,
7-23

entered values, 7-22

initial values, 7-22

workspace values, 7-22

checking completeness of tasks, 7-3

continuing after breakpoints, 10-12

continuing after INTERRUPT command, 10-12

defining logical names, 7-5, 7-10, 7-11

displaying active servers, 10-21

displaying breakpoints, 7-16, 10-20

displaying debugger version, 10-23

displaying HELP information, 10-13

displaying transaction timeout, 10-22

displaying workspace contents, 10-10

examining workspaces, 7-2

files needed for, 7-4

interrupting a server, 7-12, 10-14

interrupting servers, 7-13

preparations, 7-2

preparing definitions, 7-2

quotas required for, 7-9

removing breakpoints, 7-21

returning to the Task Debugger prompt, 7-25

running agent programs, 7-28

running command procedures, 10-3

running initialization procedures, 7-11

selecting tasks, 7-21

setting breakpoints, 7-14, 10-14, 10-17

setting current server, 10-18

setting current timeout period, 10-19

starting servers, 7-10, 7-11, 10-24

starting tasks, 10-16

starting the Task Debugger, 7-9

stepping through tasks, 7-20, 10-26

stopping servers, 7-12, 10-27

stopping the Task Debugger, 7-24, 10-2, 10-11

system parameters required for, 7-9

Task Debugger commands, 10-1

that use HP DECforms escape routines, 7-6

timeout code, 7-23

tools for, 7-2

typical errors, 7-23

using ACMS Task Debugger, 7-9

Debugging tasks (cont'd)

- using `Ctrl/G`, 7-9
 - using `Ctrl/Z`, 7-9
 - using dump file, 7-17
 - using group logical names, 7-10
 - using Task Debugger commands, 7-2
 - using test files, 7-3
 - using two terminals, 7-7
 - workspace copies used, 10-9
- DECLARE SCHEMA**
SQL statement, 2-5
SQL statement in procedure, 4-4
- DEFINE**
logical names, 7-6
logical name table list, 7-6
- DEPOSIT**
command
Task Debugger, 7-3, 10-9
- Detached process**
server in run-time environment, 8-1
- Displaying**
breakpoints, 7-16
- Distributed transactions**
ACMS\$GET_TID, 9-3
calling servers in, 3-5
database transaction participating in, 4-21
DBMS database transaction
starting, 4-29
ending, 3-5, 3-6
end of, 3-8
retaining context with, 3-8
RMS journaling with, 4-41
starting, 3-5, 3-6
step procedure with, 4-2
using SQL, 4-4
using TID, 3-7
with DBMS, 4-30
- DML**
DBMS Data Manipulation Language
precompiler, 4-40
- Dump files**
using in debugging, 7-17
- DUMP GROUP**
command
ADU, 7-17
- Dumps**
server process
getting, 8-5

E

-
- .END**
Message Utility statement, 5-3
 - \$END**
location breakpoint symbol, 7-15
 - \$END_TRANS**, 3-6

Error

- handling
SQL, 4-14
- ERROR**
nonrecoverable error, 8-6
- Error messages**
See Errors, messages
- Errors**
ACMSAD\$REQ_CANCEL service, C-2
DBM\$ ALLREADY, 2-12
defining severity levels, 5-3
during debugging, 7-23
handling
See also Handling errors
DBMS, 4-37
Rdb, 4-26
RMS, 4-46
in BASIC initialization procedures, 2-18
initialization procedures, 2-1
messages
returning to users, 3-14
using hard-coded messages in form, 3-17
using hard-coded messages in step
procedure, 3-18
using message file
in step procedure, 3-15
in task definition, 3-14
recoverable
in step procedure, 3-13
- Escape routines**
debugging, 7-7
debugging HP DECforms, 7-6
- EXAMINE**
command
Task Debugger, 7-3, 7-22, 7-23, 10-10
- \$EXCEPTION**
event breakpoint symbol, 7-16
- Exceptions**
nonrecoverable, 3-21
raising in step procedure, 3-19
recoverable, 3-20
running down server processes after, 2-28
step, 3-20
transaction, 3-20
- EXE**
qualifier with LINK command, 6-4
- Executable images**
See Images
- EXIT**
command
OpenVMS Debugger, 7-12
Task Debugger, 10-11
- EXTERNAL CONSTANT**
BASIC statement, 5-8

F

.FACILITY

Message Utility statement, 5-3

FAO

See OpenVMS Formatted ASCII Output facility

FATAL

nonrecoverable error, 8-6

Files

closing, 2-19

command

of Task Debugger commands, 7-15

dump

using in debugging, 7-17

message

See Message files

needed for debugging, 7-3

opening, 2-1, 2-18

access mode for, 2-13

for procedure servers, 2-13

returning status, 2-13

sharing, 2-13

testing FILE-STAT, 2-14

using with step procedures, 4-1

FILE_NAME

qualifier with Message Utility, 5-6

FINISH

Rdb, 2-21

Formatted ASCII Output (FAO)

See OpenVMS Formatted ASCII Output facility

FORMS\$DEBUG_ESCAPE_ROUTINES

logical name, 7-7

FORMS\$IMAGE

defining, 7-7

FORMS\$PRINT_FILE

HP DECforms logical name, 8-2

Function

step procedure, 1-6

G

GO

command

Task Debugger, 10-12

using after setting breakpoints, 8-5

using to continue after breakpoints,
7-22

GROUP

qualifier used in debugging, 8-4

H

\$HANDLER

location breakpoint symbol, 7-15

Handling errors, 3-13

with message files, 5-1

HELP

command

Task Debugger, 10-13

HP DECforms

escape routines

debugging, 7-6

HP DECforms trace facility

for debugging, 7-2

I

.IDENT

Message Utility statement, 5-2

IMAGE

qualifier with ANALYZE/PROCESS_DUMP

command, 8-7

Images

building procedure server, 6-1

procedure server executable

creating, 5-7

Indicator array

declaring, 4-10

Initialization

See also Initialization procedures

servers, 2-1

user-defined workspaces, 3-12

Initialization procedures, 1-2, 2-1

access mode on opens, 2-13

BASIC using RMS, 2-16

binding to database, 2-3

compiling, 6-2

DBMS

BASIC, 2-12

COBOL, 2-10

declared in task group, 1-3

file descriptions, 2-14

guidelines for, 2-2

handling errors, 2-2

in BASIC, 2-18

in COBOL, 2-14

in COBOL, 2-6

naming subschema, 2-11

opening files in BASIC, 2-18

passing workspaces, 2-2

Rdb BASIC, 2-8

Rdb COBOL, 2-8

record locks, 2-14

restrictions for, 2-2

returning status, 2-2, 2-14

in BASIC, 2-2

in COBOL, 2-2

sequential files, 2-13

using RDO with Rdb, 2-8

using RMS files, 2-13

using SQL with Rdb, 2-5

when called, 2-2

Initialization procedures (cont'd)

work of, 2-1

Initial values

of workspaces during debugging, 7-22

INSERT

qualifier with LIBRARY command, 6-6

INTERRUPT

command

Task Debugger, 7-12, 7-13, 10-14

INVOKE DATABASE

RDO statement, 2-9

with Rdb, 4-20

Invoking databases, 2-8

J

Journaling

See also RMS journaling

RMS, 4-41

L

Labels

step, 7-15, 7-16

LIB\$CALLG

to signal error condition, 2-3

LIB\$GET_INPUT, 3-22

LIB\$GET_VM

with cancel procedures, 2-27

LIB\$PUT_OUTPUT, 3-22

LIB\$SIGNAL

to signal error condition, 2-3

LIB\$SYS_FAO

using with error messages, 3-15

LIB\$SYS_GETMSG

using with error messages, 3-15

Library

object

linking, 6-6

placing files in, 6-3

procedure object, 6-6

LIBRARY

DCL command, 6-6

qualifier with LINK command, 6-6

LINK

command

DCL, 6-3, 6-6

linking message files, 5-7

to create images, 6-4

NOTRACEBACK qualifier, 7-14

with /DEBUG qualifier, 7-3

Linker, 6-5

See also Linking

Linking

message file object modules, 5-7

message files, 5-4, 5-6

object modules, 6-3

procedure object libraries, 6-6

Linking (cont'd)

procedures, 7-3

procedure server images, 7-14

if task definition uses Rdb recovery, 6-5

server image

with NOTRACEBACK qualifier, 7-14

server image with /DEBUG, 6-5

step procedures, 6-3

Link option file

linking procedure server code, 6-5

Local

symbols

and LINK/DEBUG command, 6-5

Lock mode

Rdb

specifying, 4-8

Locks

See Records, locks

Lock timeout

DBMS, 4-32

setting for Rdb and DBMS, 3-7

specifying interval, 4-10

Logical names

accessed by server process, 7-5

assigning in Task Debugger, 7-10

assigning with ASSIGN command, 10-5

checking for accuracy, 8-1

DBG\$INPUT, 7-8

DBG\$OUTPUT, 7-8

defining

during debugging session, 7-10, 7-11

for debugging, 7-5

for two-terminal debugging, 7-8

SYS\$INPUT, 7-8

SYS\$OUTPUT, 7-8

using group logical names during debugging,
7-10

with Task Debugger, 7-5

Logical name tables

creating

for debugging, 7-6

list, 7-6

M

MESSAGE

Message Utility command, 5-7

Message files

See also Messages

changing, 5-7

compiling, 5-4, 5-6

example of source file, 5-4

facility name and number, 5-3

handling errors with, 5-1

in step procedure, 3-15

in task definition, 3-14

linking, 5-4, 5-6

name of message, 5-4

Message files (cont'd)
 object module, 5-6
 parts of, 5-1
 setting up messages in, 5-2
 source files, 5-1

Messages
 creating files, 5-2
 displaying to users using message files, 5-1
 symbols, 5-4

Message Utility
 .END statement, 5-3
 .FACILITY statement, 5-3
 FILE_NAME qualifier, 5-6
 .IDENT statement, 5-2
 OBJECT qualifier, 5-6
 prohibition of \$FAO directives statements, 5-4
 running, 5-6
 .SEVERITY statements, 5-3
 .TITLE statement, 5-2

MODIFY
 Rdb statement, 4-25

N

Naming
 procedures
 guidelines, 1-6
 initialization, 2-13
 server procedures, 1-5

NONPARTICIPATING SERVER
 phrase
 ADU, 3-5

Nonrecoverable errors
 handling
 DBMS, 4-38
 RMS, 4-47
 handling in step procedure, 4-13

Nonrecoverable exception
 raising in step procedure, 3-21

NO RUNDOWN ON CANCEL, 2-25
 clause
 ADU, 2-33

NOTRACEBACK
 qualifier with LINK command, 6-5, 7-14, 8-4

O

OBJECT
 qualifier with Message Utility, 5-6

Object library
 placing files in, 6-3
 procedure, 6-6

Object modules
 compiling source code into, 6-2
 message file, 5-6

Opening files
 access mode, 2-13
 for procedure servers, 2-13

OpenVMS Debugger, 7-1
 accessing from Task Debugger, 7-24
 checking values in workspaces, 7-22
 debugging HP DECforms escape routines, 7-6
 EXIT command, 7-12
 invoking, 8-5
 SET BREAK/EXCEPTION command, 7-25
 SET WATCH command, 7-25
 transferring control to, 7-13

OpenVMS Formatted ASCII Output facility
 for using message file in step procedure, 3-15
 prohibition of directives with Message Utility,
 5-4

OPER
 privilege needed to replace server, 8-5

P

Parameters
 format
 with Programming Services, 9-2
 system
 for debugging, 7-9

Passing mechanism
 with Programming Services, 9-2

PID
 qualifier with ACMS/DEBUG/SERVER
 command, 8-5
 using ACMS/SHOW SERVER to display, 8-4

Precompiler
 DML, 4-40
 RDO, 4-27
 invoking, 4-28
 SQL, 4-15

Procedures
 cancel
See Cancel procedures
 debugging
See Debugging procedures
 initialization
See Initialization procedures
 servers
See Procedure servers
 setting breakpoints in, 7-21
 step
See Step procedures
 termination
See Termination procedures

Procedure servers
See also Servers, procedure
 building server images, 6-1
 closing RMS files, 2-22
 concept of, 1-1
 creating server images, 6-3
 definition of, 1-2
 images
 linking, 5-7, 7-14

Procedure servers (cont'd)

- linking, 6-3
 - message file object modules, 5-7
 - object modules, 6-3
- object libraries, 6-6
- opening files, 2-13
- releasing
 - DBMS databases, 2-22
 - Rdb databases, 2-20, 2-21
- terminal I/O, 3-22
- terminology, 1-1
- transfer module, 1-3, 6-3

Process

- identification
 - See* PID
- logical name
 - assigning, 10-5

Process identification

- See* PID

Production

- setting up applications for, 8-1

Programming Services

- ACMS, 1-6
 - ACMS\$GET_TID, 3-7, 9-1
 - ACMS\$RAISE_NONREC_EXCEPTION, 9-1
 - ACMS\$RAISE_STEP_EXCEPTION, 9-1
 - ACMS\$RAISE_TRANS_EXCEPTION, 9-1
 - parameter notation used, 9-2

Q

Queuing Services

- ACMS, 1-6

Quotas

- required for debugging, 7-9

R

Raising exceptions

- ACMS\$RAISE_NONREC_EXCEPTION, 9-5
- ACMS\$RAISE_STEP_EXCEPTION, 9-7
- ACMS\$RAISE_TRANS_EXCEPTION, 9-9

Rdb

- binding subschemas, 2-8
- binding to database, 2-4
- cancel procedures
 - with RDO, 2-34, 2-35
- compiling procedures that access, 4-27
- creating .RUJ file, 2-4
- defining databases, 4-4
- errors
 - handling, 4-26
- initialization procedures, 2-5, 2-7
 - BASIC, 2-8
 - COBOL, 2-8
- invoking database, 4-20
- lock mode, 4-8
- reading from database, 4-23

Rdb (cont'd)

- recovery, 3-7, 6-5
 - releasing databases, 2-20, 2-21
 - rolling back database transaction, 2-29
 - setting lock timeout interval, 3-7
 - share modes, 4-9
 - START_TRANSACTION statement in
 - procedures, 4-20
 - step procedures
 - COBOL, 4-15, 4-20
 - termination procedures, 2-20, 2-21
 - BASIC, 2-21
 - transaction mode, 4-8
 - using SQL with, 4-2
 - using with RDML, 4-20
 - using with RDO, 4-20
 - wait mode, 4-9
- RDB\$BAD_TRANS_HANDLE, 2-34
- RDM\$BIND_LOCK_TIMEOUT_INTERVAL
 - specifying in logical name table, 4-9
- ### RDML
- SQL similar to, 4-2
 - using with Rdb, 4-20
- ### RDO
- cancel procedures with, 2-29
 - compiling, 4-27
 - initialization procedures, 2-8
 - precompiler, 4-27
 - START_TRANSACTION statement, 3-7
 - termination procedures, 2-21
 - using precompiled with Rdb, 4-20
 - using with distributed transaction, 4-21
- ### READY
- DBMS statement, 2-10, 2-11
 - DBMS statement to start distributed transaction, 3-6
 - DML statement, 4-29
- ### Realms
- readying DBMS, 4-29
 - usage characteristics, 4-29
- ### Reason parameter
- ACMSAD\$REQ_CANCEL (optional), C-3
- ### Records
- locks, 2-13
 - COBOL initialization procedures, 2-14
 - unlocking RMS, 2-29
- ### Recoverable errors
- handling
 - DBMS, 4-38
 - in step procedure, 4-13
 - RMS, 4-47
- ### Recovery
- resource manager, 3-4
 - units
 - creating .RUJ file, 2-10
 - definition of, 3-6
 - starting .RUJ file, 2-9

- Releasing
 - DBMS databases, 2–22
 - Rdb databases, 2–20, 2–21
- Relinking
 - server
 - for new Rdb versions, 6–6
- Removing breakpoints, 7–21
- Replacing
 - faulty servers, 8–5
- REQUEST I/O
 - phrase
 - ADU
 - for terminal I/O, 3–22
- Resource manager
 - recovery, 3–4
 - definition of, 3–4
- Resources
 - definition of, 3–4
 - recoverable
 - definition of, 3–4
- Return status
 - See* Status, return
- RMS
 - BASIC termination procedures, 2–24
 - cancel procedures, 2–35
 - BASIC, 2–37
 - files
 - sharing, 2–13
 - handling errors with, 4–46
 - initialization procedures
 - BASIC, 2–18
 - COBOL, 2–13
 - journaling
 - See* RMS journaling
 - reading records, 4–42
 - recoverable errors, 4–47
 - recovery, 3–7
 - transaction aborts, 4–47
 - updating records, 4–43
 - writing records, 4–43
 - writing step procedures that use, 4–41
- RMS journaling
 - after-image, 4–41
 - before-image, 4–41
 - recovery-unit, 4–41
 - types of, 4–41
 - using with procedures, 4–41
 - with distributed transactions, 4–41
- ROLLBACK
 - DML statement, 3–6
 - Rdb, 2–21
 - removing statement, 3–8
 - SQL statement, 4–8
 - statement
 - DBMS, 2–10
 - with distributed transactions, 3–5

- Rolling back
 - Rdb database transaction, 2–29
- RUJ file
 - creating, 2–8
- Rundown
 - server process
 - conditions for, 2–24
- RUNDOWN ON CANCEL, 2–25
 - clause
 - ADU, 2–33
 - IF INTERRUPTED
 - clause
 - ADU, 2–33
- RUNDOWN ON CANCEL IF INTERRUPTED, 2–25
- Run-time
 - environment
 - running tasks in, 8–1
 - files needed, 8–3
 - logical names in, 8–2
 - protection of files and databases, 8–2
 - servers open terminal channel, 8–2
 - user name quotas, 8–2

S

- SELECT
 - command
 - Task Debugger, 7–21, 10–16
 - with STEP command, 10–26
- SERVER
 - qualifier with ASSIGN command, 10–5
- Server context
 - See* Servers, context
- Server procedures
 - See* Servers, procedures
- Server processes
 - See* Servers, processes
- Servers
 - calling in distributed transactions, 3–5
 - cancel procedures, 2–26
 - compiling with /DEBUG qualifier, 7–3
 - context
 - releasing, 3–7
 - retaining, 3–7
 - current
 - setting during debugging, 10–18
 - DCL, 1–3
 - debugging, 10–24
 - debugging
 - DCL servers, 10–24
 - procedure servers, 10–24
 - detached process in run-time environment, 8–1
 - displaying
 - with SHOW SERVERS command, 10–21
 - initializing, 2–1
 - interrupting, 7–12, 7–13

Servers

- interrupting (cont'd)
 - in Task Debugger, 7-13
- linking message file object modules, 5-7
- linking with /DEBUG qualifier, 7-3
- procedures
 - definition of, 1-2
 - naming, 1-5
 - preparing to debug, 7-3
 - structuring, 1-5
 - terminology, 1-1
- process dump
 - analyzing, 8-6
 - analyzing file, 8-7
- processes
 - cancel procedures, 2-26
 - definition of, 1-2
 - reasons for stopping, 8-6
 - releasing terminal channel, 2-32
 - running down, 2-19, 2-24, 2-32
 - running down after exception, 2-28
 - stopping, 2-19
 - using ACMS/SHOW SERVER to display name, 8-4
- quotas and privileges, 8-1
- releasing DBMS databases, 2-22
- releasing Rdb databases, 2-20, 2-21
- replacing faulty, 8-3, 8-5
- running cancel procedures, 2-32
- SERVER PROCESS DUMP
 - application definition clause, 8-5
 - clause in application definition, 8-6
- starting, 7-10, 7-11
 - in Task Debugger, 7-10, 7-11
 - with Task Debugger START command, 10-24
- stopping, 7-12
 - in Task Debugger, 7-12
 - with STOP Task Debugger command, 10-27
- stop unexpectedly, 8-5
- termination of, 8-6

\$SETAST

- pseudocode for using, 2-31
- using to avoid canceling a task, 2-26

SET BREAK

- command
 - Task Debugger, 7-20, 10-17

SET BREAK/EXCEPTION

- OpenVMS Debugger command, 7-25

SET SERVER

- command
 - Task Debugger, 7-10, 10-18

SET TRANSACTION

- SQL statement, 2-5, 4-7
- SQL statement to start distributed transaction, 3-6

SET TRANSACTION_TIMEOUT

- command
 - Task Debugger, 7-23, 10-19

SET WATCH

- OpenVMS Debugger command, 7-25

Severity

- levels
 - defining in message file, 5-3

.SEVERITY

- Message Utility statements, 5-3

SHARE

- LINK qualifier, 5-6
- qualifier with LINK command, 5-7

Share modes

- Rdb, 4-9

SHOW BREAK

- command
 - Task Debugger, 7-16, 10-20

SHOW SERVERS

- command
 - Task Debugger, 10-21

SHOW TRANSACTION_TIMEOUT

- command
 - Task Debugger, 7-24, 10-22

SHOW VERSION

- command
 - Task Debugger, 10-23

SQL

- binding to database, 2-3, 2-4
- compiling, 4-15
- context structure
 - defining, 4-5
- database transactions
 - starting and ending, 4-7
- declaring databases, 4-4
- embedded
 - guidelines for using, 4-3
 - statements in step procedures, 4-3
- error handler, 4-14
- error handling, 4-14
- initialization procedures, 2-5, 2-7
- interface to Rdb, 4-2
- module language
 - passing context structure, 4-6
- passing context structure to, 4-6
- precompiled
 - passing context structure, 4-6
- precompiler, 4-15
- recovery, 3-7
- statements
 - SET TRANSACTION, 3-7
- step procedures, 4-2
 - COBOL, 4-15
 - using, 4-9
- storing TID, 4-6
- task definition, 3-7
- termination procedures, 2-20
- with distributed transactions, 4-4, 4-7

SQL\$SIGNAL
to signal error condition, 2-3
SS\$_DEBUG, 7-7
removing, 7-7
START
ALL qualifier, 7-11
command
Task Debugger, 7-11, 10-24
Task Debugger command, 7-11
Starting
applications
errors in, 2-2
Task Debugger, 7-9
Startup
server
See Initialization procedures
\$START_TRANS, 3-6
START_TRANSACTION
RDO statement
in step procedures, 4-20
RDO statement to start distributed transaction,
3-6
Status
return
ACMS\$GET_TID, 9-3
ACMS\$RAISE_NONREC_EXCEPTION,
9-5
ACMS\$RAISE_STEP_EXCEPTION, 9-7
ACMS\$RAISE_TRANS_EXCEPTION, 9-9
ACMSAD\$REQ_CANCEL, C-2
initialization procedures, 2-2
termination procedure for RMS files, 2-22
termination procedures, 2-19
returning
BASIC procedure for, 3-12
COBOL procedure for, 3-11
in user-defined workspaces, 3-10
required, 3-9
to task, 3-8
STEP
command
Task Debugger, 7-20, 10-26
Step exception
raising in step procedure, 3-20
Step labels
See Labels, step
Stepping through tasks
with Task Debugger, 10-26
Step procedures, 1-2
aborts
distributed transaction, 4-26
handling transaction, 4-13
accessing resource managers, 4-1
called from task, 1-4, 4-2
calling in distributed transactions, 3-5
calling in processing step, 1-5
compiling
Step procedures
compiling (cont'd)
DBMS, 4-40
RDO, 4-27
SQL, 4-15
DBMS, 4-29
accessing database, 4-28
reading from database, 4-32
writing to database, 4-34
declared in task group, 1-4
definition of, 1-4
excluding from distributed transaction, 3-5
files needed for debugging, 7-4
handling errors
nonrecoverable, 4-13
recoverable, 4-13
SQL, 4-12
modifying existing, 3-8
naming in COBOL, 1-6
participating in distributed transaction, 3-5
passing workspaces, 3-3
Rdb
reading from database, 4-10
writing to database, 4-11
RDML with Rdb, 4-20
RDO with Rdb, 4-20
SQL, 4-15
access to Rdb databases, 4-2
writing to Rdb databases, 4-9
SQL with Rdb, 4-1
using workspaces, 3-3
writing, 3-1
\$STEP_n
label, 7-16
STOP
command
Task Debugger, 7-12, 10-27
Stopping
server process
during debugging, 7-9
Task Debugger, 7-24, 10-2
Structuring
server procedures, 1-5
Subprogram
COBOL procedure, 1-6
Subschemas
naming in DB statement, 4-28
naming in initialization procedures, 2-11
Symbols
OpenVMS debug, 6-2
tables, 6-5
Task Debugger, 7-15
Symbol table
OpenVMS debug, 6-2
SYS\$FAO
using with error messages, 3-15

SYS\$GETMSG
 using with error messages, 3–15
SYS\$INPUT
 logical name for debugging, 7–8
SYS\$OUTPUT
 logical name for debugging, 7–8
SYSTEM
 qualifier used to debug any server on system,
 8–4
 System services
 with step procedures
 FAO facility, 3–15
 \$SETAST, 2–30
 System workspaces
 See Workspaces, system

T

TABLE
 qualifier used in debugging, 8–4
 Tables
 selecting a value from, 4–10
 Task Debugger, 7–1, 10–1
See also Debugging tasks
 checking values in workspaces, 7–22
 commands
 ACCEPT, 10–4
 ASSIGN, 10–5
 At sign (@), 10–3
 CANCEL BREAK, 7–21, 10–6
 CANCEL TASK, 7–21, 10–7
 CANCEL TRANSACTION_TIMEOUT,
 7–24, 10–8
 DEPOSIT, 10–9
 EXAMINE, 7–22, 7–23, 10–10
 EXIT, 10–11
 GO, 7–22, 10–12
 HELP, 10–13
 INTERRUPT, 7–12, 7–13, 10–14
 SELECT, 10–16
 SET BREAK, 7–14, 7–20, 10–17
 SET SERVER, 7–10, 10–18
 SET TRANSACTION_TIMEOUT, 7–23,
 10–19
 SHOW BREAK, 7–16, 10–20
 SHOW SERVERS, 10–21
 SHOW TRANSACTION_TIMEOUT, 7–24,
 10–22
 SHOW VERSION, 10–23
 START, 7–11, 10–24
 STEP, 7–20, 10–26
 STOP, 7–12, 10–27
 table of, 10–1
 Task Debugger, 7–10, 7–21
 control characters, 7–9
 debugging a user-written agent program, 7–27
 prompt

Task Debugger
 prompt (cont'd)
 returning to, 7–25
 running tasks in, 7–9
 setting breakpoints, 7–15
 starting, 7–9
 stopping, 10–2
 using **Ctrl/Z**, 7–24
 using EXIT command, 7–24
 transferring control to OpenVMS Debugger,
 7–13
 version
 displaying, 10–23
 Tasks
 accessing Rdb databases, 4–2
 called
 debugging, 7–20
 canceling
 in Task Debugger, 7–21
 debugging, 7–2
 See also Debugging tasks
 selecting tasks to debug, 7–21
 definitions
 breakpoints in, 7–16
 calling step procedures, 4–2
 error handling, 4–14
 files needed for debugging, 7–4
 identifying workspaces, 3–3
 preparing for production, 8–1
 processing step example, 1–6
 testing status values, 3–8
 workspaces
 See also Workspaces
 defining records for, 3–4
 writing to Rdb databases with SQL, 4–9
 Terminal
 channels
 closing, 3–23
 opening, 3–22
 procedure server use of, 3–22
 releasing in cancel procedure, 2–33
 I/O
 defining, 3–22
 from procedure servers, 3–22
 releasing terminal channel, 2–33
TERMINAL I/O
 ADU
 for terminal I/O, 3–22
 Termination procedures, 1–2, 2–1
 canceling tasks, 2–19
 compiling, 6–2
 DBMS, 2–22
 declared in task group, 1–3
 file definitions for, 2–22
 Rdb BASIC, 2–21
 Rdb using RDO, 2–21
 Rdb using SQL, 2–20
 record definitions, 2–22

- Termination procedures (cont'd)
 - returning status, 2-22
 - RMS, 2-22
 - BASIC, 2-24
 - writing, 2-19
- Terminology (ACMS)
 - procedure server, 1-1
- Testing
 - application in run-time environment, 8-1
- TID
 - ACMS\$GET_TID, 9-3
 - creation of, 3-7
 - passing
 - with DBMS, 3-7
 - with Rdb, 3-7
 - storing in SQL, 4-6
 - with RMS files, 3-7
- Timeout
 - canceling in Task Debugger, 7-24
 - debugging code, 7-23
 - displaying transaction, 10-22
 - lock
 - specifying, 4-32
 - setting current, 10-19
 - setting in Task Debugger, 7-23
 - showing in Task Debugger, 7-24
 - specifying interval, 4-10
 - specifying with Rdb and DBMS, 3-7
- .TITLE
 - Message Utility statement, 5-2
- Transaction aborts
 - handling DBMS, 4-38
 - handling in step procedure, 4-13
 - handling Rdb, 4-26
 - handling RMS, 4-47
 - handling SQL, 4-12
- Transaction exceptions
 - raising in step procedure, 3-20
- Transaction ID
 - See* TID
- Transaction mode
 - specifying, 4-8
- Transactions
 - database
 - starting, 3-7
 - distributed
 - retaining context with, 3-8
 - independent database
 - RDO, 4-23
- Transaction timeout
 - displaying, 10-22
- Transfer module
 - procedure server, 1-3, 6-3
- Transition
 - from debugging to run-time environment, 8-1

U

- UNBIND
 - DBMS statement, 2-22
- Unbinding
 - DBMS databases, 2-22
 - Rdb databases, 2-20, 2-21
- Unlocking
 - records, 2-29
- User names
 - run-time server quotas, 8-2
 - servers and EXC run under different, 8-1

W

- Wait mode
 - DBMS
 - specifying, 4-31
 - Rdb
 - specifying, 4-9
- WARNING
 - nonrecoverable error, 8-6
- WORKSPACE
 - qualifier with ACMS/DEBUG command, 7-10
- Workspaces
 - ACMS\$PROCESSING_STATUS, A-2
 - ACMS\$SELECTION_STRING, A-3
 - ACMS\$TASK_INFORMATION, A-3
 - assigning initial values to fields, 3-4
 - CDD, 3-3
 - changing contents of, 10-9
 - checking values in, 7-22
 - definition of, 3-1
 - displaying
 - contents, 10-10
 - entered values
 - checking during debugging, 7-22
 - examining or changing the contents of, 7-10
 - how ACMS applications use, 3-1
 - identifying, 3-3 to 3-4
 - initial values
 - assigning, 3-4
 - checking during debugging, 7-22
 - naming
 - in COBOL programs, 3-3
 - passing
 - status values, 3-8
 - to cancel procedures, 2-32
 - referencing in task definition, 3-3
 - system, 3-2
 - ACMS\$PROCESSING_STATUS, 3-2, A-2
 - ACMS\$SELECTION_STRING, 3-2, A-3
 - ACMS\$TASK_INFORMATION, 3-2, A-3
 - ACMS-supplied, 3-2
 - location in CDD, A-1
 - reading from, 3-2
 - writing to, 3-2

Workspaces (cont'd)

- used during debugging, 10–9
- user-defined
 - initializing, 3–12
 - returning status in, 3–10
 - to hold status indicator, 3–17
- using, 3–1
- with initialization procedures, 2–2