

Print Colour and
staple here.

Electric

GOLDEN EGGS

Colour

Visual Configurations
Rev: 09-Feb-2000

Main index for the next 44 pages:

- GE-KEY, GE-Software, AlphaServer family
- AlphaServer DS10 Unix, OpenVMS and Linux
- AlphaServer DS20 Unix, OpenVMS and Linux
- New --> - AlphaServer DS20E Unix, OpenVMS, and Linux
- AlphaServer ES40 Unix, OpenVMS, and Linux
- AlphaServer GS60E Unix, OpenVMS
- AlphaServer GS140 Unix, OpenVMS
- ProLiant 1600 Examples
- StorageWorks Examples

New since
15-Dec-99

More GE-pages at:
www.compaq.com/golden-eggs

For details, call:
Matti.Patari@compaq.com

Painted with GOLDEN EGGS Software,
Rev: 03-Feb-2000

COMPAQ	09-Feb-2000	GEG00D
	Matti.Patari@Compaq.com	

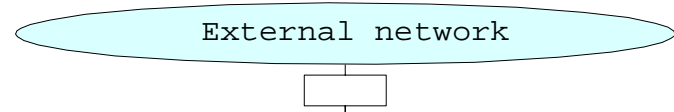
GOLDEN EGGS in eBusiness since 1988 12 years.

Electric

Electric GOLDEN EGGS, Colour
GOLDEN EGGS Visuals, Helsinki

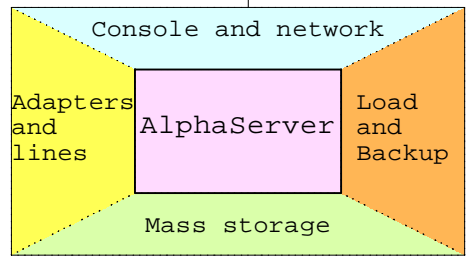
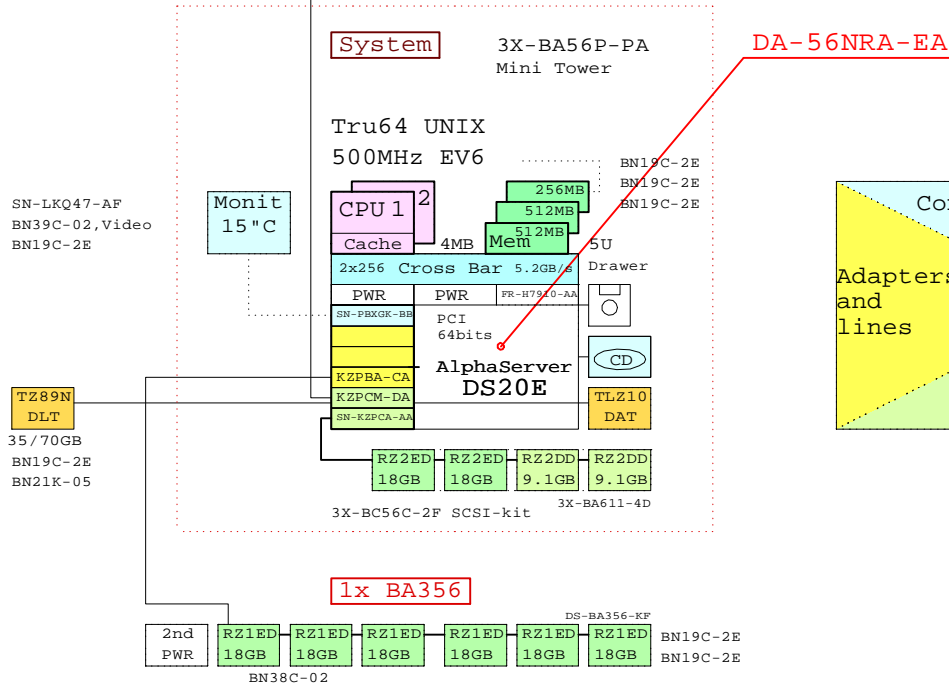
Key to GOLDEN EGGS

Ethernet

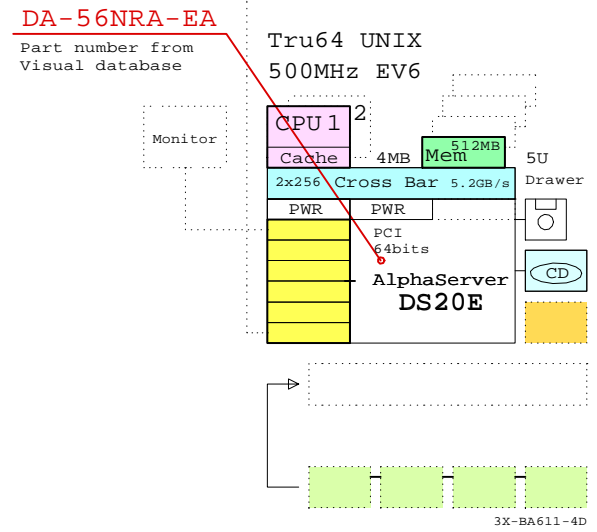


External site

Internal site



GOLDEN EGGS Segments

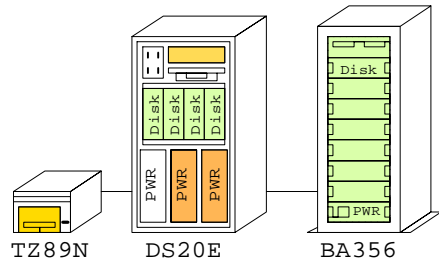


GOLDEN EGGS Presentation

Bill of material, BOM

Part Number	Qty	Description
1	1	3X-BA56P-PA 1 DS20E Mini tower pedestal kit
1.1	1	3X-BC56C-2F 1 DS20E SCSI Cable Kit
1.2	3	BN19C-2E 3 PowerCable 240V, C-Europe
1.3	1	DA-56NRA-EA 1 AS DS20E 6/500 512MB,Rack,UNIX
1.3.1	1	3R-VRQV5-24 1 COMPAQ V55 CLR MON,NH,TC095
1.3.2	1	3X-BA611-4D 1 Disk Cage for DS20E, 4x disk
1.3.2.1	2	DS-RZ2DD-16 2 ES40 Disk 9.1GB 10k Ultra2 SCSI
1.3.2.2	2	DS-RZ2ED-16 2 ES40 Disk 18GB 10k Ultra2 SCSI
1.3.3	1	FR-H7910-AA 1 Third power supply for DS20E
1.3.4	1	KN310-BB 1 AS DS20E 6/500 SMP UPG UNIX
1.3.5	1	KZPBA-CA 1 PCI to UltraSCSI Adapter UWSE
1.3.6	1	KZPCM-DA 1 Dual Uscsi with FastEther PCI
1.3.7	1	MS340-CA 1 DS20 256MB SDIMM MEM 4x64MB
1.3.8	1	MS340-DA 1 DS20 512MB SDIMM MEM 4x128MB
1.3.9	1	SN-KZPCA-AA 1 Single channel LVD adapter
1.3.10	1	SN-PBXGK-BB 1 Elsa Gloria Synergy 8M Video Graphics
1.3.11	1	TLZ10-LB 1 12/24GB 4mm DAT 5.25" HH
2	1	DS-BA356-KF 1 Pedestal Storage, UltraW, Single-Bus
2.1	2	BN19C-2E 2 PowerCable 240V, C-Europe
2.2	1	BN38C-02 1 Ultra Cbl VHDCI - 68HD
2.3	1	CK-BA35X-HH 1 180W Stor.Shelf PWR for AS4x00
2.4	6	DS-RZ1ED-VW 6 18.2GB 10000r UltraSCSI disk
3	1	DS-TZ89N-TA 1 35/70GB SE DLT-tape TT FWSE
4	1	BN39C-02 1 1.8 Video Extension Cable ****
5	1	SN-LKQ47-AF 1 102 KEY KYBD, NON-WIN, Finnish
6	2	BN19C-2E 2 PowerCable 240V, C-Europe
7	1	BN21K-05 1 68HD SCSI cable 5m

System kernel



Internet pointer to GE-libray

Name of the page
 - GExxxx = GOLDEN EGGS page
 - GTxxxx = GOLDEN Template
 Templates are included in GOLDEN EGGS Software kit.

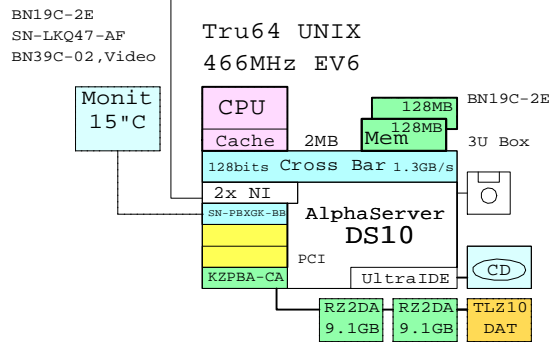
Date of update

COMPAQ	09-Feb-2000	GEG00B
www.compaq.com/golden-eggs		

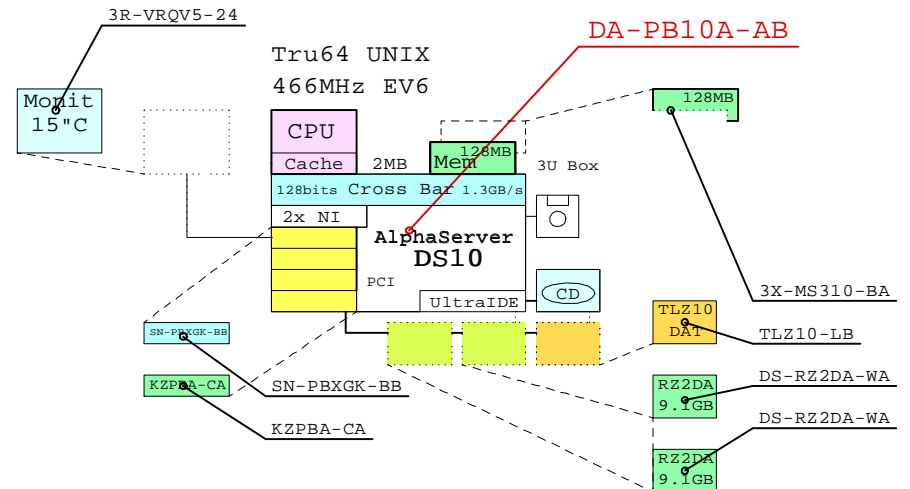
KEY

To GOLDEN EGGS
 GOLDEN EGGS Visual Configurations, Helsinki

Ethernet



These visuals make this system.



System and options have been dragged from GOLDEN EGGS menu.

Bill of Material, no price

Part Number	Qty	Description
1	1	AS DS10 6/466 128MB UNIX
1.1	1	COMPAQ V55 CLR MON,NH,TCO95
1.2	1	DS10 128MB DIMM MEM
1.3	1	PowerCable 240V, C-Europe
1.4	1	1.8 Video Extension Cable ****
1.5	2	9.1GB 7200RPM UltraSCSI Disk
1.6	1	PCI to UltraSCSI Adapter UWSE
1.7	1	Elsa Gloria Synergy 8M Video Graphics
1.8	1	12/24GB 4mm DAT 5.25" HH
2	1	102 KEY KYBD, NON-WIN, Finnish
3	1	PowerCable 240V, C-Europe

GOLDEN EGGS Software:

- This software runs on a normal office PC or LapTop.
- Tool for Compaq system designer and Sales.
- Rich Compaq product palette for Alpha and StorageWorks.
- Easy to use, just drag and drop.
- One picture talks thousands of words!

- Contains a rich set of ready made system templates.
- Bill of material, BOM, is pulled from the picture.
- Configuration pricing is available in local currency.

How to get GOLDEN EGGS Software:

Send your request to:

Matti.Patari@compaq.com

Bill of Material with local currency, Fimk

GOLDEN EGGS Drawing: p_GEG00C
Date: 1999-12-13 10:12:00
Price file: GEFim071199.Dat

Bill of Material

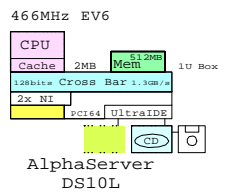
Part Number	Qty	Description	E/U OEM	Price	Sub.tot
1	1	AS DS10 6/466 128MB UNIX	X X	34150	34150
1.1	1	COMPAQ V55 CLR MON,NH,TCO95	N A	2086	2086
1.2	1	DS10 128MB DIMM MEM	X X	4052	4052
1.3	1	PowerCable 240V, C-Europe	N R	58	58
1.4	1	1.8 Video Extension Cable ****	X X	161	161
1.5	2	9.1GB 7200RPM UltraSCSI Disk	Y M	2800	5600
1.6	1	PCI to UltraSCSI Adapter UWSE	Y M	2732	2732
1.7	1	Elsa Gloria Synergy 8M Video Graphics	N A	1799	1799
1.8	1	12/24GB 4mm DAT 5.25" HH	Y M	8300	8300
2	1	102 KEY KYBD, NON-WIN, Finnish	N A	154	154
3	1	PowerCable 240V, C-Europe	N R	58	58

Grand Total: 59150

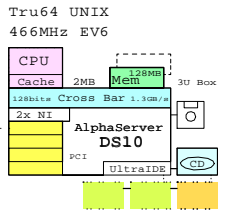
COMPAQ	09-Feb-2000	GEG00C
	Matti.Patari@Compaq.com	
GOLDEN EGGS Software, 03-Feb-00		
GOLDEN EGGS Visuals, Helsinki		

AlphaServer Family: DS10 - GS140

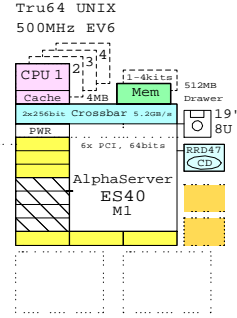
DS10



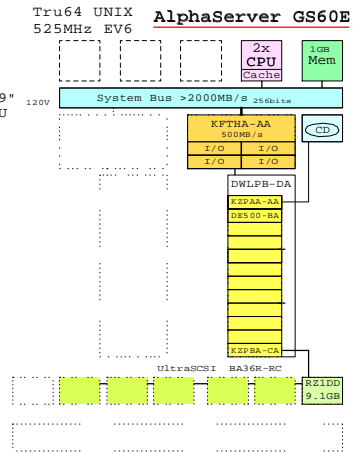
DS20E



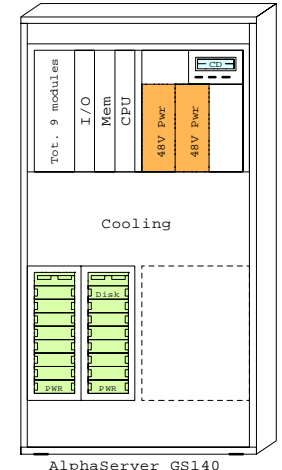
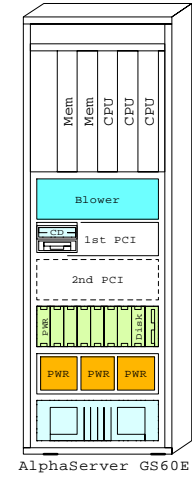
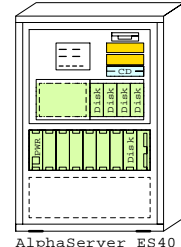
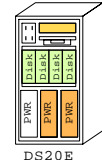
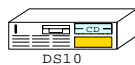
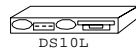
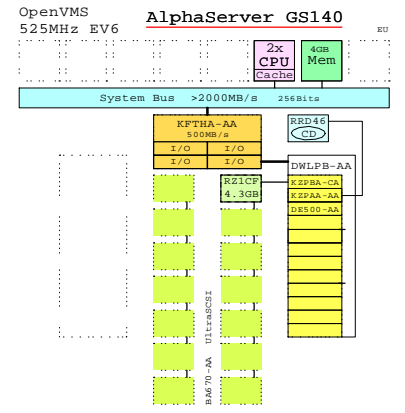
ES40



GS60E



GS140



Operating systems:
 - Tru64 UNIX
 - OpenVMS
 - Linux

AlphaServer DS10 6/466 Systems

Order number	Operating system	Server systems, 64bits 466MHz
#1 DA-PB10A- -AB 128MB -AC 256MB -AD 512MB	Tru64 UNIX	(Disk) RX,CD,NI,(Graphics)
DY-PB10A-**	OpenVMS	(Disk) RX,CD,NI,(Graphics)
DJ-PB10A-B*	Linux	(Disk) RX,CD,NI,(Graphics)

#2 Select a system disk, SCSI adapter and cable kit.

#3 SVGA color monitor #4 For 240V, select 2x power cords and one keyboard.

15" 3R-VRQV5-24/11 17" SN-VRQP7-24/23 North/South BN39C-02 2m ext.cable	SN-LKQ47 -AE GB -AG G -AM S UNIX,Lin -AB B -AH NL -AN N LK461 -AD DK -AI I -AP F OVMS -AF FI -AK CH -AS E	BN19C-2E Europe BN19A-2E GB BN19E-2E CH BN19K-2E DK BN19M-2E I
--	--	--

Internal options

Memory expansion

3X-MS310-AA	64MB	<u>Max memory</u>
3X-MS310-BA	128MB	
3X-MS310-CA	256MB	
3X-MS310-DA	512MB	
2x 512MB = 1GB		

Adapters

SN-PBXGK-BB	ELSA Gloria Syn. 8MB
DE500-BA	Fast Ethernet 10/100
DEFPA-AB	FDDI adapter,SAS MMF
KZPBA-CB	UltraSCSI Diff, 68HD

Internal storage

Tape storage

TLZ10-LB	12/24GB DAT SCSI tape
SN-PBXKP-BA	Wide to narrow adapt
KZPBA-CA	UltraSCSI SE adapter

Disk storage

3X-RE56A-AA	10GB IDE disk 5400
3X-BN50A-01	SCSI Cable kit
DS-RZ2DA-WA	9.1GB USCSI disk 7200
DS-RZ1DD-WA	9.1GB USCSI disk 10000
DS-RZ2EA-WA	18 GB USCSI disk 7200
KZPAC-CB	RAID 3-port, 8MB cache
KZPSC-UB	Cache battery
3X-PBX01-AB	H9Axx Cabinet shelf kit

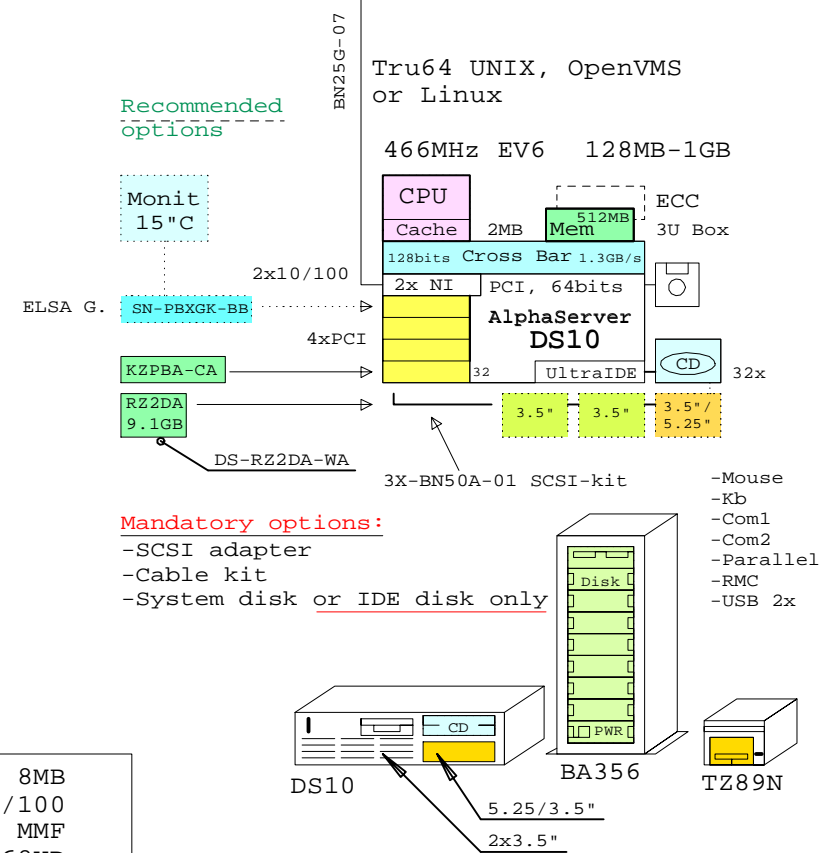
External options

Tape storage

DS-TZ89N-TA	35/70GB DLT tape,TT
BN21K-02	SCSI cable, FWD
BN19C-2E	Power cord, Europe
KZPBA-CA	UltraSCSI SE adapter

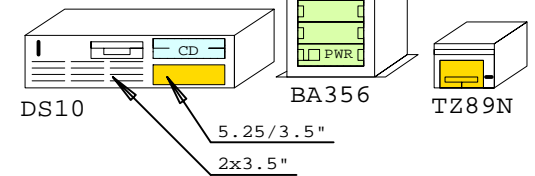
Disk storage

DS-BA356-KF	Pedestal, single bus
DS-BA356-KG	Pedestal, split bus
BN37A-02	2m SCSI,VHDCI-VHDCI
BN19C-2E	Power cord, Europe
KZPAC-AA	RAID 1-port, 4Mbcache
DS-RZ1DA-VW	9.1GB UltraSCSI disk
DS-RZ1EA-VW	18 GB UltraSCSI disk



Mandatory options:

- SCSI adapter
- Cable kit
- System disk or IDE disk only



Licenses included:

- Tru64 UNIX V4.0F, Base license, Unlimited User license, Server Extension license, and Internet Access Software license and Netscape's Enterprise Server.
- OpenVMS V7.1-2, Base license and DIGITAL Enterprise Integration Package.

@466MHz

SPECint95	24
SPECfp95	45

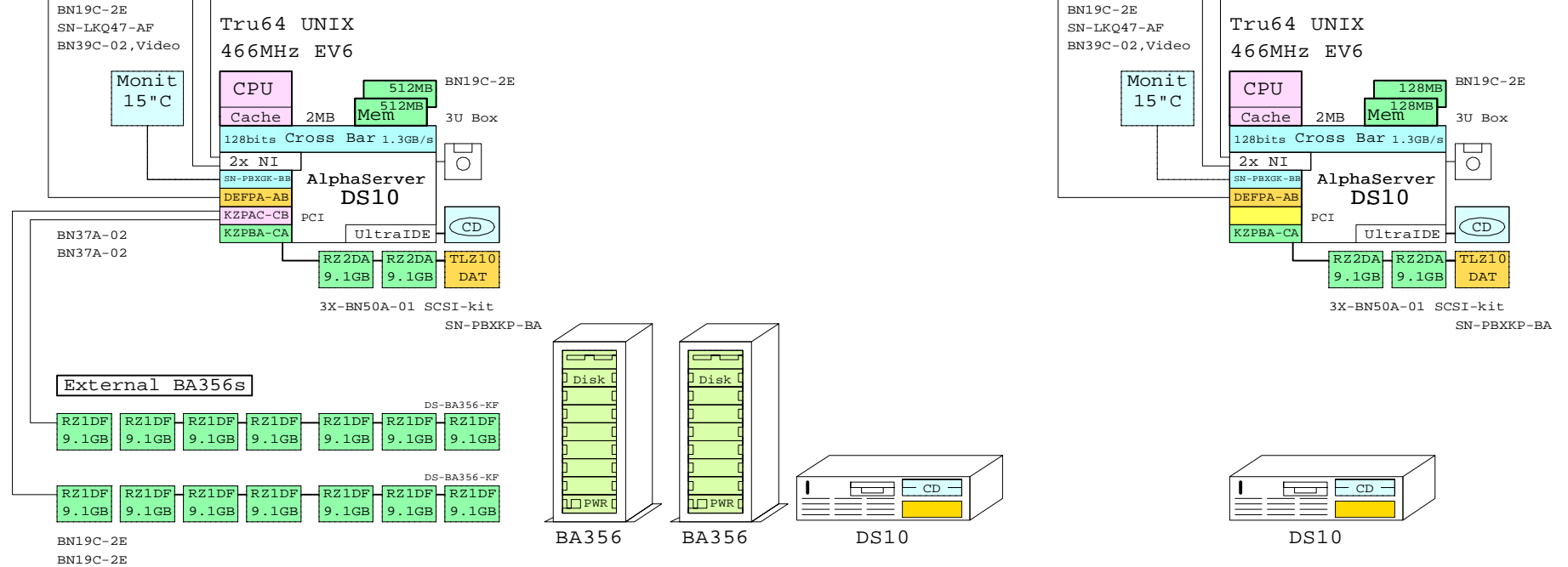
Software Processor Code: E

COMPAQ	22-Oct-1999	GEADS101
	www.digital.com/golden-eggs	

Compaq AlphaServer DS10 Systems
GOLDEN EGGS Visual Configurations, Helsinki

Ethernet DS10 UNIX Uscsi-based + External RAID
 Ethernet DS10 UNIX One-box
 FDDI

QA-054AA-H8 SW LP PKG U/A CDRM/D
 QA-MT4AA-GZ Dig UNIX Alpha DOC F
 QA-MT4AA-H8 Dig UNIX Alpha CDROM



Bill of Material for Uscsi-system

Part Number	Qty	Description
1	1	DA-PB10A-AD 1 AS DS10 6/466 512MB UNIX
1.1	1	3R-VRQV5-24 1 COMPAQ V55 CLR MON,NH,TCO95
1.2	1	3X-MS310-DA 1 DS10 512MB DIMM MEM
1.3	1	BN19C-2E 1 PowerCable 240V, C-Europe
1.4	1	BN39C-02 1 1.8 Video Extension Cable ****
1.5	1	DEFFPA-AB 1 PCI to FDDI SAS
1.6	2	DS-RZ2DA-WA 2 9.1GB 7200RPM UltraSCSI Disk
1.7	1	KZPAC-CB 1 3 Chan. SCSI RAID 8MB UltraW
1.8	1	KZPBA-CA 1 PCI to UltraSCSI Adapter UWSE
1.9	1	SN-PBXGK-BB 1 Elsa Gloria Synergy 8M Video Graphics
1.10	1	TLZ10-LB 1 12/24GB 4mm DAT 5.25" HH
2	1	DS-BA356-KF 1 Pedestal Storage, UltraW, Single-Bus
2.1	7	DS-RZ1DF-VW 7 9.1GB 7200 UltraSCSI 16bit
3	1	DS-BA356-KF 1 Pedestal Storage, UltraW, Single-Bus
3.1	7	DS-RZ1DF-VW 7 9.1GB 7200 UltraSCSI 16bit
4	1	3X-BN50A-01 1 DS10/VS10 SCSI Cable Kit
5	1	SN-LKQ47-AF 1 102 KEY KYBD, NON-WIN, Finnish
6	1	SN-PBXKP-BA 1 WIDE TO NARROW SCSI ADAPTER
7	3	BN19C-2E 3 PowerCable 240V, C-Europe
8	2	BN37A-02 2 Ultra Cbl VHDCI - VHDCI

Bill of Material for one-box system

Part Number	Qty	Description
1	1	DA-PB10A-AB 1 AS DS10 6/466 128MB UNIX
1.1	1	3R-VRQV5-24 1 COMPAQ V55 CLR MON,NH,TCO95
1.2	1	3X-MS310-BA 1 DS10 128MB DIMM MEM
1.3	1	BN19C-2E 1 PowerCable 240V, C-Europe
1.4	1	BN39C-02 1 1.8 Video Extension Cable ****
1.5	1	DEFFPA-AB 1 PCI to FDDI SAS
1.6	2	DS-RZ2DA-WA 2 9.1GB 7200RPM UltraSCSI Disk
1.7	1	KZPBA-CA 1 PCI to UltraSCSI Adapter UWSE
1.8	1	SN-PBXGK-BB 1 Elsa Gloria Synergy 8M Video Graphics
1.9	1	TLZ10-LB 1 12/24GB 4mm DAT 5.25" HH
2	1	3X-BN50A-01 1 DS10/VS10 SCSI Cable Kit
3	1	SN-LKQ47-AF 1 102 KEY KYBD, NON-WIN, Finnish
4	1	SN-PBXKP-BA 1 WIDE TO NARROW SCSI ADAPTER
5	1	BN19C-2E 1 PowerCable 240V, C-Europe

COMPAQ 25-Oct-1999 GTAUDS101
www.digital.com/golden-eggs

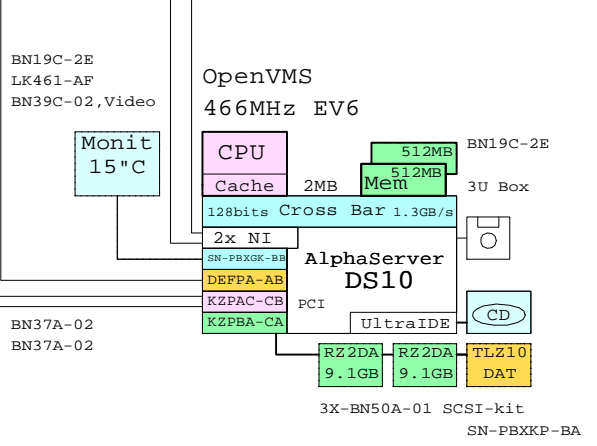
AlphaServer DS10 UNIX systems
 GOLDEN EGGS Visual Configurations, Helsinki

This template is included in the present GOLDEN EGGS Software kit.

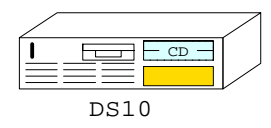
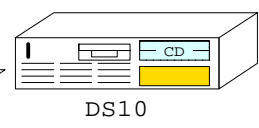
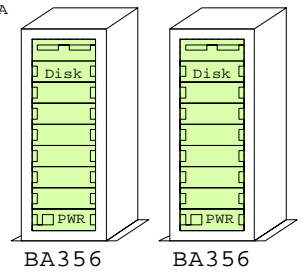
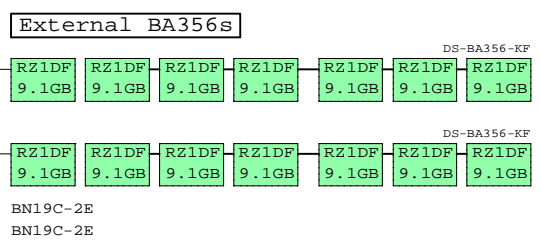
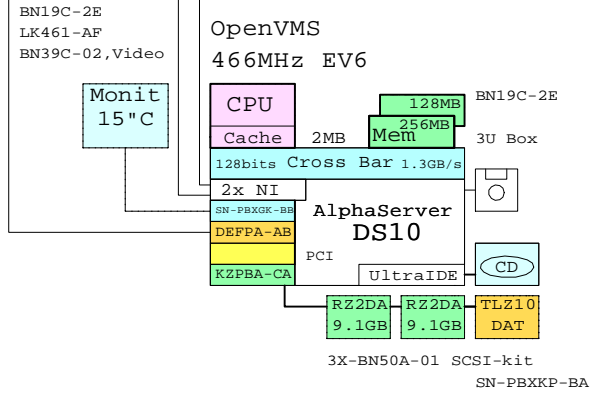
DS10 UNIX

Ethernet DS10 OpenVMS Uscsi-based + External RAID
 Ethernet
 FDDI

DS10 OpenVMS One-box



QA-001AA-GZ OVMS Full Documentat
 QA-03XAA-H8 SW LP PKG V/A DOC CD
 QA-MT1AA-H8 OVMS Alpha Bin+Onlin



Bill of Material for Uscsi-system

	Part Number	Qty	Description
1	DY-PB10A-AD	1	AS DS10 6/466 512MB OVMS
1.1	3R-VRQV5-24	1	COMPAQ V55 CLR MON,NH,TCO95
1.2	3X-MS310-DA	1	DS10 512MB DIMM MEM
1.3	BN19C-2E	1	PowerCable 240V, C-Europe
1.4	BN39C-02	1	1.8 Video Extension Cable ****
1.5	DEFFPA-AB	1	PCI to FDDI SAS
1.6	DS-RZ2DA-WA	2	9.1GB 7200RPM UltraSCSI Disk
1.7	KZPAC-CB	1	3 Chan. SCSI RAID 8MB UltraW
1.8	KZPBA-CA	1	PCI to UltraSCSI Adapter UWSE
1.9	SN-PBXGK-BB	1	Elsa Gloria Synergy 8M Video Graphics
1.10	TLZ10-LB	1	12/24GB 4mm DAT 5.25" HH
2	DS-BA356-KF	1	Pedestal Storage, UltraW, Single-Bus
2.1	DS-RZ1DF-VW	7	9.1GB 7200 UltraSCSI 16bit
3	DS-BA356-KF	1	Pedestal Storage, UltraW, Single-Bus
3.1	DS-RZ1DF-VW	7	9.1GB 7200 UltraSCSI 16bit
4	3X-BN50A-01	1	DS10/VS10 SCSI Cable Kit
5	SN-PBXKP-BA	1	WIDE TO NARROW SCSI ADAPTER
6	BN19C-2E	3	PowerCable 240V, C-Europe
7	BN37A-02	2	Ultra Cbl VHDCI - VHDCI
8	LK461-AF	1	VMS STYLE KEYBOARD, Fin/Swed

Bill of Material for One-box system

	Part Number	Qty	Description
1	DY-PB10A-AC	1	AS DS10 6/466 256MB OVMS
1.1	3R-VRQV5-24	1	COMPAQ V55 CLR MON,NH,TCO95
1.2	3X-MS310-BA	1	DS10 128MB DIMM MEM
1.3	BN19C-2E	1	PowerCable 240V, C-Europe
1.4	BN39C-02	1	1.8 Video Extension Cable ****
1.5	DEFFPA-AB	1	PCI to FDDI SAS
1.6	DS-RZ2DA-WA	2	9.1GB 7200RPM UltraSCSI Disk
1.7	KZPBA-CA	1	PCI to UltraSCSI Adapter UWSE
1.8	SN-PBXGK-BB	1	Elsa Gloria Synergy 8M Video Graphics
1.9	TLZ10-LB	1	12/24GB 4mm DAT 5.25" HH
2	3X-BN50A-01	1	DS10/VS10 SCSI Cable Kit
3	SN-PBXKP-BA	1	WIDE TO NARROW SCSI ADAPTER
4	BN19C-2E	1	PowerCable 240V, C-Europe
5	LK461-AF	1	VMS STYLE KEYBOARD, Fin/Swed

COMPAQ 25-Oct-1999 GTA VDS101
 www.digital.com/golden-eggs

AlphaServer DS10 OpenVMS systems
 GOLDEN EGGS Visual Configurations, Helsinki

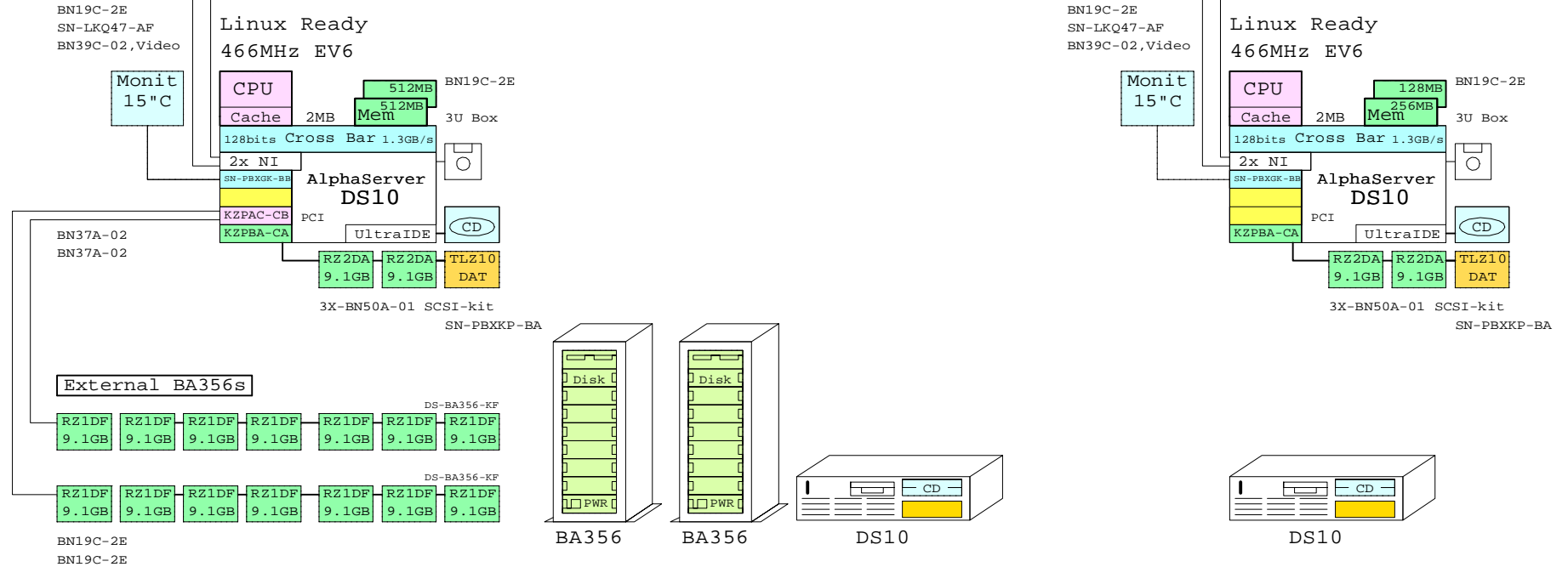
This template is included in the present GOLDEN EGGS Software kit.

DS10 OVMS

Ethernet
Ethernet

DS10 Linux Ready Uscsi-based + External RAID

DS10 Linux Ready One-box



Bill of Material for Uscsi-system

Part Number	Qty	Description
DJ-PB10A-BD	1	AS DS10 6/466 512MB Linux Ready
1.1	3R-VRQV5-24	1 COMPAQ V55 CLR MON,NH,TC095
1.2	3X-MS310-DA	1 DS10 512MB DIMM MEM
1.3	BN19C-2E	1 PowerCable 240V, C-Europe
1.4	BN39C-02	1 1.8 Video Extension Cable ****
1.5	DS-RZ2DA-WA	2 9.1GB 7200RPM UltraSCSI Disk
1.6	KZPAC-CB	1 3 Chan. SCSI RAID 8MB UltraW
1.7	KZPBA-CA	1 PCI to UltraSCSI Adapter UWSE
1.8	SN-PBXGK-BB	1 Elsa Gloria Synergy 8M Video Graphics
1.9	TLZ10-LB	1 12/24GB 4mm DAT 5.25" HH
2	DS-BA356-KF	1 Pedestal Storage, UltraW, Single-Bus
2.1	DS-RZ1DF-VW	7 9.1GB 7200 UltraSCSI 16bit
3	DS-BA356-KF	1 Pedestal Storage, UltraW, Single-Bus
3.1	DS-RZ1DF-VW	7 9.1GB 7200 UltraSCSI 16bit
4	3X-BN50A-01	1 DS10/VS10 SCSI Cable Kit
5	SN-LKQ47-AF	1 102 KEY KYBD, NON-WIN, Finnish
6	SN-PBXKP-BA	1 WIDE TO NARROW SCSI ADAPTER
7	BN19C-2E	3 PowerCable 240V, C-Europe
8	BN37A-02	2 Ultra Cbl VHDCI - VHDCI

Bill of Material for one-box system

Part Number	Qty	Description
DJ-PB10A-BC	1	AS DS10 6/466 256MB Linux Ready
1.1	3R-VRQV5-24	1 COMPAQ V55 CLR MON,NH,TC095
1.2	3X-MS310-BA	1 DS10 128MB DIMM MEM
1.3	BN19C-2E	1 PowerCable 240V, C-Europe
1.4	BN39C-02	1 1.8 Video Extension Cable ****
1.5	DS-RZ2DA-WA	2 9.1GB 7200RPM UltraSCSI Disk
1.6	KZPBA-CA	1 PCI to UltraSCSI Adapter UWSE
1.7	SN-PBXGK-BB	1 Elsa Gloria Synergy 8M Video Graphics
1.8	TLZ10-LB	1 12/24GB 4mm DAT 5.25" HH
2	3X-BN50A-01	1 DS10/VS10 SCSI Cable Kit
3	SN-LKQ47-AF	1 102 KEY KYBD, NON-WIN, Finnish
4	SN-PBXKP-BA	1 WIDE TO NARROW SCSI ADAPTER
5	BN19C-2E	1 PowerCable 240V, C-Europe

COMPAQ 25-Oct-1999 GTALDS10
www.digital.com/golden-eggs

AlphaServer DS10 Linux systems
GOLDEN EGGS Visual Configurations, Helsinki

This template is included in the present GOLDEN EGGS Software kit.

DS10 Linux

AlphaServer DS20 6/500 Systems

Order number	Operating system	Server systems, 64bits 500MHz
#1 DA-55NJA- -CA 128MB -DA 256MB -EA 512MB -FA 1GB	DIGITAL UNIX	(Disk) RX,CD (NI SVGA)
DY-55NJA- **	OpenVMS	(Disk) RX,CD (NI SVGA)
DJ-55NJA- **	Linux Ready	(Disk) RX,CD (NI SVGA)

#2 Select disk controller, 2x SCSI with Ethernet
#3 Select system disk

#4 SVGA color monitor #5 For 240V, select 3x power cords and one keyboard.

15" 3R-VRQV5-24/11	SN-LKQ47 UNIX, Lin	-AE GB -AG G -AM S	BN19C-2E Europe
17" SN-VRQP7-24/23 North/South		-AB B -AH NL -AN N	BN19A-2E GB
BN39C-02 2m ext.cable	LK461 OVMS	-AD DK -AI I -AP F	BN19E-2E CH
		-AF FI -AK CH -AS E	BN19K-2E DK
			BN19Z-2E I

Internal options

Additional CPUs

KN310-AB	UNIX	500MHz
KN310-AC	OVMS	500MHz
3X-KN310-AD	Linux	500MHz

2nd Power

H7899-AA
For N+1

Controllers

SN-PBXGK-BB	ELSA Gloria Graph. 8MB
DE500-BA	Fast Ethernet 10/100
DE504-BA	Fast Ethernet, Quad
DEFPA-AB	FDDI adapter, SAS MMF
DEFPA-DB	FDDI adapter, DAS MMF
DEFPA-UB	FDDI adapter, SAS TP-PMD
KFPSA-AA	DSSI controller
CIPCA-BA	CI controller
KZPBA-CB	UltraSCSI Diff, 68HD

Memory expansion

DIMM-kits		Max memory
MS340-BA	128MB	4x 1GB =4GB
MS340-CA	256MB	
MS340-DA	512MB	
MS340-EA	1GB	

Internal storage

Tape storage

TLZ10-LB	12/24GB DAT SCSI tape
----------	-----------------------

Disk storage

DS-RZ1DD-VW	9.1GB UltraSCSI disk 10k
DS-RZ1ED-VW	18 GB UltraSCSI disk 10k
DS-RZ1FB-VW	36 GB UltraSCSI disk 7200

KZPCM-DA	Dual UltraSCSI +Ethernet
KZPBA-CA	UltraSCSI SE adapter
BN38C-02	2m SCSI cable, 68HD-VHDCI
KZPAC-CB	RAID 3-port, 8MB cache
KZPSC-UB	Cache battery
KZPAC-SB	Dual cable bulkhead
BN37A-02	2m SCSI cbl VHDCI-VHDCI
H8253-AA	SCSI bus splitter kit

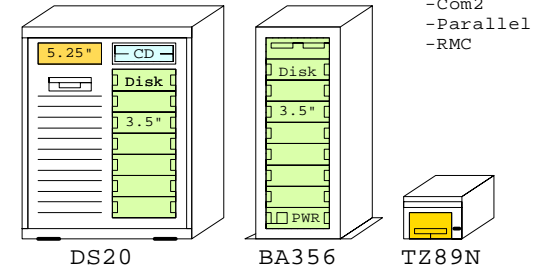
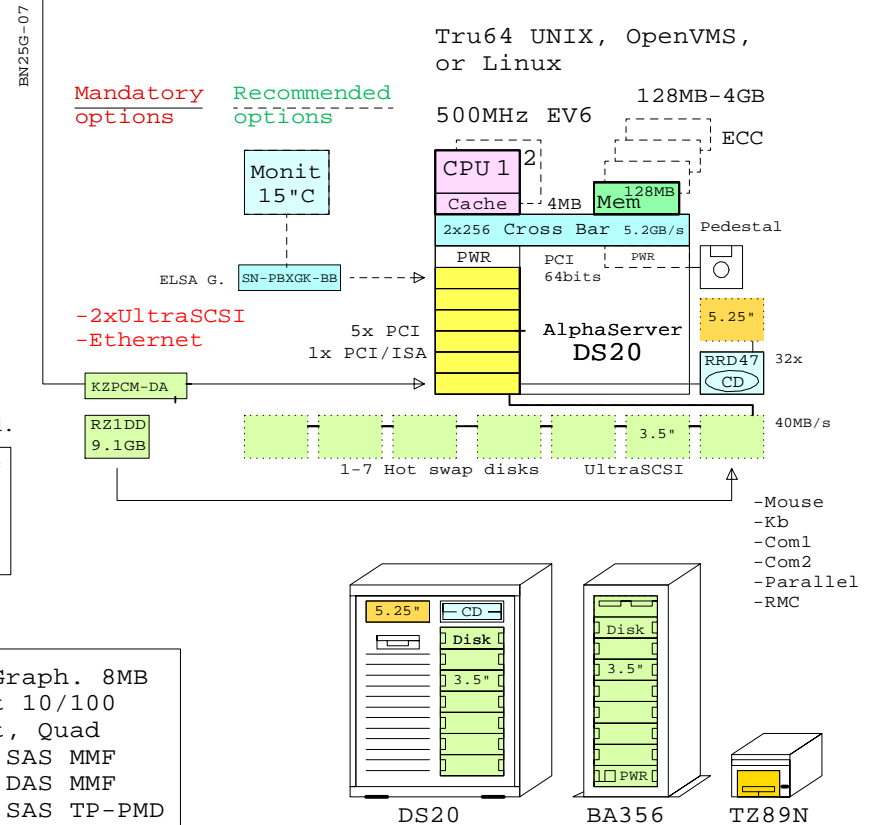
External options

Tape storage

DS-TZ89N-TA	35/70GB DLT tape, TT
BN21K-02	SCSI cable, FWD
BN19C-2E	Power cord, Europe
KZPBA-CA	UltraSCSI SE adapter

Disk storage

DS-BA356-KF	Pedestal, single bus
DS-BA356-KG	Pedestal, split bus
BN37A-02	2m SCSI, VHDCI-VHDCI
BN19C-2E	Power cord, Europe
KZPAC-AA	RAID 1-port, 4MB cache
DS-RZ1CF-VW	4.3GB UltraSCSI disk
DS-RZ1DA-VW	9.1GB UltraSCSI disk



Licenses included:

- DIGITAL UNIX V4.0E, Base license, Unlimited User license, Server Extension license, and Internet Access Software license and Netscape's Enterprise Server 3.0.
- OpenVMS V7.1-2, Base license and DIGITAL Enterprise Integration Package.

	@500MHz
SPECint95	28
SPECfp95	58
SPECweb96	6065
TPC	11600

Software Processor Code: E

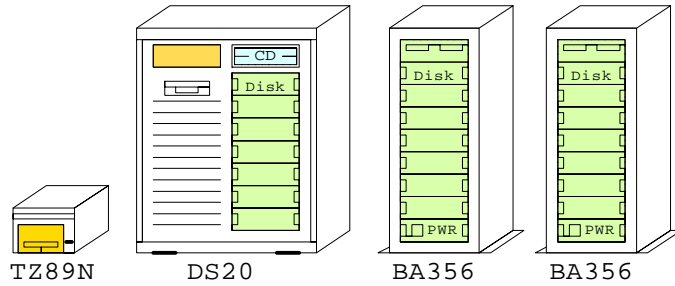
COMPAQ	27-Dec-1999	GEADS201
www.digital.com/golden-eggs		

Compaq AlphaServer DS20 Systems
GOLDEN EGGS Visual Configurations, Helsinki

FDDI

Ethernet

DS20 expanded Tru64 UNIX system

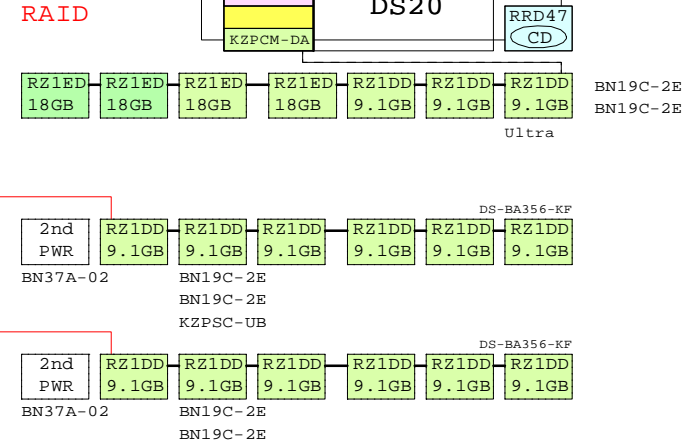
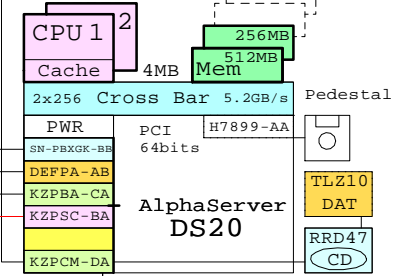


SN-LKQ47-AF
BN39C-02,Video
BN19C-2E

TZ89N
DLT
35/70GB
BN19C-2E
BN21K-05

Monit
15" C

Tru64 UNIX
500MHz EV6



Bill of material

	Part Number	Qty	Description
1	DA-55NJA-EA	1	AS DS20 6/500 512MB,PED,UNIX
1.1	3R-VRQV5-24	1	COMPAQ V55 CLR MON,NH,TCO95
1.2	DEFPA-AB	1	PCI to FDDI SAS
1.3	DS-RZ1DD-VW	3	9.1GB 10000r UltraSCSI disk
1.4	DS-RZ1ED-VW	4	18.2GB 10000r UltraSCSI disk
1.5	H7899-AA	1	As DS20 Power Supply
1.6	KN310-AB	1	AS DS20 6/500 SMP UPG UNIX
1.7	KZPBA-CA	1	PCI to UltraSCSI Adapter UWSE
1.8	KZPCM-DA	1	Dual Uscsi with FastEther PCI
1.9	KZPSC-BA	1	PCI BACPLANE RAID 3 CHANNEL
1.10	MS340-CA	1	DS20 256MB SDIMM MEM 4x64MB
1.11	SN-PBXGK-BB	1	Elsa Gloria Synergy 8M Video Graphics
1.12	TLZ10-LB	1	12/24GB 4mm DAT 5.25" HH
2	DS-BA356-KF	1	Pedestal Storage, UltraW, Single-Bus
2.1	CK-BA35X-HH	1	180W Stor.Shelf PWR for AS4x00
2.2	DS-RZ1DD-VW	6	9.1GB 10000r UltraSCSI disk
3	DS-BA356-KF	1	Pedestal Storage, UltraW, Single-Bus
3.1	CK-BA35X-HH	1	180W Stor.Shelf PWR for AS4x00
3.2	DS-RZ1DD-VW	6	9.1GB 10000r UltraSCSI disk
4	DS-TZ89N-TA	1	35/70GB SE DLT-tape TT FWSE
5	BN39C-02	1	1.8 Video Extension Cable ****
6	SN-LKQ47-AF	1	102 KEY KYBD,NON-WIN, Finnish
7	BN19C-2E	8	PowerCable 240V, C-Europe
8	BN37A-02	2	Ultra Cbl VHDCI - VHDCI
9	KZPSC-UB	1	Battery Backup for KZPSC
10	BN21K-05	1	68HD SCSI cable 5m

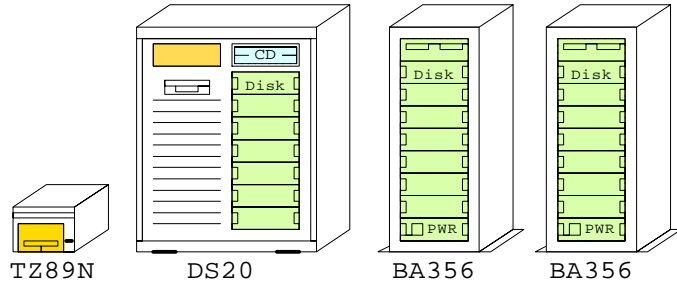
COMPAQ	25-Oct-1999	GTAUDS201
	www.digital.com/golden-eggs	

AlphaServer DS20 UNIX systems
GOLDEN EGGS Visual Configurations, Helsinki

FDDI

Ethernet

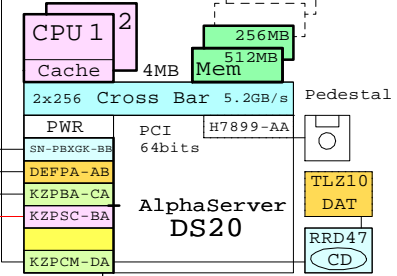
DS20 expanded OpenVMS system



LK461-AF
BN39C-02, Video
BN19C-2E

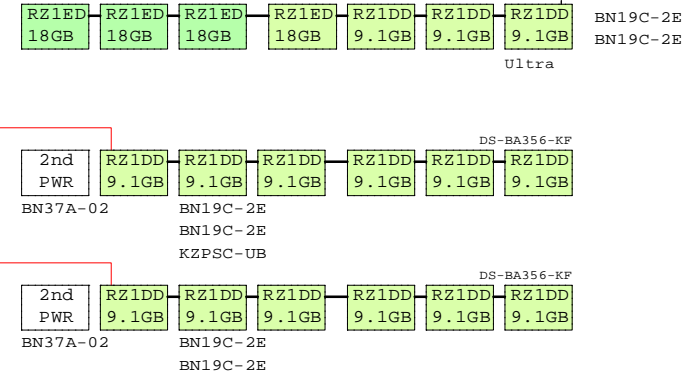
Monit
15" C

OpenVMS
500MHz EV6



TZ89N
DLT
35/70GB
BN19C-2E
BN21K-05

RAID



Bill of material

	Part Number	Qty	Description
1	DY-55NJA-EA	1	AS DS20 6/500 512MB, PED, OVMS
1.1	3R-VRQV5-24	1	COMPAQ V55 CLR MON, NH, TCO95
1.2	DEFPA-AB	1	PCI to FDDI SAS
1.3	DS-RZ1DD-VW	3	9.1GB 10000r UltraSCSI disk
1.4	DS-RZ1ED-VW	4	18.2GB 10000r UltraSCSI disk
1.5	H7899-AA	1	As DS20 Power Supply
1.6	KN310-AC	1	AS DS20 6/500 SMP UPG OpenVMS
1.7	KZPBA-CA	1	PCI to UltraSCSI Adapter UWSE
1.8	KZPCM-DA	1	Dual Uscsi with FastEther PCI
1.9	KZPSC-BA	1	PCI BACPLANE RAID 3 CHANNEL
1.10	MS340-CA	1	DS20 256MB SDIMM MEM 4x64MB
1.11	SN-PBXGK-BB	1	Elsa Gloria Synergy 8M Video Graphics
1.12	TLZ10-LB	1	12/24GB 4mm DAT 5.25" HH
2	DS-BA356-KF	1	Pedestal Storage, UltraW, Single-Bus
2.1	CK-BA35X-HH	1	180W Stor.Shelf PWR for AS4x00
2.2	DS-RZ1DD-VW	6	9.1GB 10000r UltraSCSI disk
3	DS-BA356-KF	1	Pedestal Storage, UltraW, Single-Bus
3.1	CK-BA35X-HH	1	180W Stor.Shelf PWR for AS4x00
3.2	DS-RZ1DD-VW	6	9.1GB 10000r UltraSCSI disk
4	DS-TZ89N-TA	1	35/70GB SE DLT-tape TT FWSE
5	BN39C-02	1	1.8 Video Extension Cable ****
6	BN19C-2E	8	PowerCable 240V, C-Europe
7	BN37A-02	2	Ultra Cbl VHDCI - VHDCI
8	KZPSC-UB	1	Battery Backup for KZPSC
9	BN21K-05	1	68HD SCSI cable 5m
10	LK461-AF	1	VMS STYLE KEYBOARD, Fin/Swed

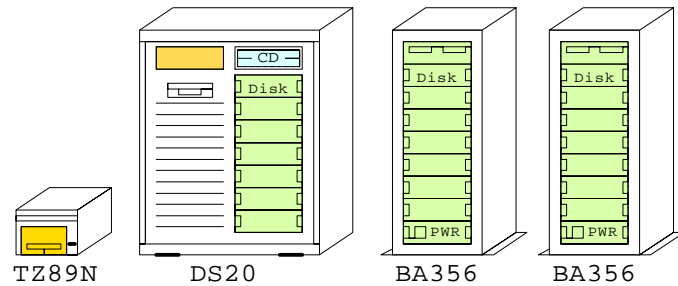
COMPAQ	25-Oct-1999	GTA VDS201
	www.digital.com/golden-eggs	

AlphaServer DS20 OpenVMS systems
GOLDEN EGGS Visual Configurations, Helsinki

FDDI

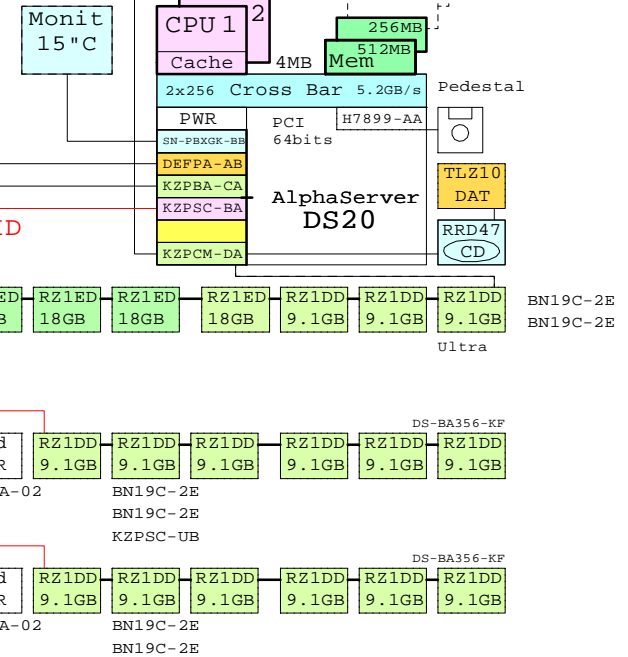
Ethernet

DS20 expanded Linux system



SN-LKQ47-AF
BN39C-02, Video
BN19C-2E

TZ89N
DLT
35/70GB
BN19C-2E
BN21K-05



Bill of material

	Part Number	Qty	Description
1	DJ-55NJA-EA	1	AS DS20 6/500 512MB,PED,O/SLESS
1.1	3R-VRQV5-24	1	COMPAQ V55 CLR MON,NH,TCO95
1.2	3X-KN310-AD	1	AS DS20 6/500 SMP UPG for Linux
1.3	DEFPA-AB	1	PCI to FDDI SAS
1.4	DS-RZ1DD-VW	3	9.1GB 10000r UltraSCSI disk
1.5	DS-RZ1ED-VW	4	18.2GB 10000r UltraSCSI disk
1.6	H7899-AA	1	As DS20 Power Supply
1.7	KZPBA-CA	1	PCI to UltraSCSI Adapter UWSE
1.8	KZPCM-DA	1	Dual Uscsi with FastEther PCI
1.9	KZPSC-BA	1	PCI BACPLANE RAID 3 CHANNEL
1.10	MS340-CA	1	DS20 256MB SDIMM MEM 4x64MB
1.11	SN-PBXGK-BB	1	Elsa Gloria Synergy 8M Video Graphics
1.12	TLZ10-LB	1	12/24GB 4mm DAT 5.25" HH
2	DS-BA356-KF	1	Pedestal Storage, UltraW, Single-Bus
2.1	CK-BA35X-HH	1	180W Stor.Shelf PWR for AS4x00
2.2	DS-RZ1DD-VW	6	9.1GB 10000r UltraSCSI disk
3	DS-BA356-KF	1	Pedestal Storage, UltraW, Single-Bus
3.1	CK-BA35X-HH	1	180W Stor.Shelf PWR for AS4x00
3.2	DS-RZ1DD-VW	6	9.1GB 10000r UltraSCSI disk
4	DS-TZ89N-TA	1	35/70GB SE DLT-tape TT FWSE
5	BN39C-02	1	1.8 Video Extension Cable ****
6	SN-LKQ47-AF	1	102 KEY KYBD, NON-WIN, Finnish
7	BN19C-2E	8	PowerCable 240V, C-Europe
8	BN37A-02	2	Ultra Cbl VHDCI - VHDCI
9	KZPSC-UB	1	Battery Backup for KZPSC
10	BN21K-05	1	68HD SCSI cable 5m

COMPAQ	02-Nov-1999	GTALDS201
	www.digital.com/golden-eggs	

AlphaServer DS20 Linux systems
GOLDEN EGGS Visual Configurations, Helsinki

AlphaServer DS20E 6/500 Systems

Order number	Operating system	Server systems, 64bits 500MHz
#1 DA-56NRA- -DA 256MB -EA 512MB -FA 1GB	DIGITAL UNIX	(Disk) RX,CD (NI SVGA)
DY-56NRA-**	OpenVMS	(Disk) RX,CD (NI SVGA)
DJ-56NRA-**	Linux Ready	(Disk) RX,CD (NI SVGA)

#2 Pedestal system

3X-BA56P-PA Pedestal tower kit

3X-BA611-4D Disk drive cage
 DS-RZ2ED-16 Disk drive, 18GB
 SN-KZPCA-AA Ultra2 SCSI adapter
 DE500-BA Ethernet adapter
 BN25G-10 Cable twisted, 10m
 SN-PBXGK-BB Elsa Gloria 8MB
 BN19C-2E Power cord

Cabinet system

3X-BA56R-RA Rack mount kit

3X-BA611-4D Disk drive cage
 DS-RZ2ED-16 Disk drive, 18GB
 SN-KZPCA-AA Ultra2 SCSI adapter
 DE500-BA Ethernet adapter
 BN25G-10 Cable twisted, 10m
 SN-PBXGK-BB Elsa Gloria 8MB
 BN35S-4E CPU power cord for cab

H9A15-MC/MD Cabinet 120V/240V 38U
 H9C15-TE Cabinet rear extender
 H9C15-TF Cabinet front door
 H9C10-MC Ballast kit 40lbs
 YS-ASCAA-AA Factory integration

#3 SVGA color monitor

15" 3R-VRQV5-24/11
 17" SN-VRQP7-24/23
 North/South
 BN39C-02 2m ext.cable

#4 Select a keyboard and one powercord for pedestal.

SN-LKQ47 -AE GB -AG G -AM S
 UNIX, Lin -AB B -AH NL -AN N
 -AD DK -AI I -AP F
 LK461 -AF FI -AK CH -AS E
 OVMS

BN19C-2E Europe
 BN19A-2E GB
 BN19E-2E CH
 BN19K-2E DK
 BN19Z-2E I

Internal options

Memory expansion

DIMM-kits	Max memory
MS340-CA 256MB	4x 1GB =4GB
MS340-DA 512MB	
MS340-EA 1GB	

Additional CPUs

KN310-BB	UNIX	500MHz
KN310-BC	OVMS	500MHz
KN310-BD	Linux	500MHz

3rd Power

FR-H7910-AA
 For N+1

Internal storage

Tape storage

TLZ10-LB 12/24GB DAT SCSI tape
 3X-BC56C-2F SCSI cable for tape

Disk storage

DS-RZ2DD-16 9.1GB UltraSCSI disk 10k
 DS-RZ1ED-16 18 GB UltraSCSI disk 10k

KZPCM-DA Dual UltraSCSI +Ethernet
 KZPBA-CA UltraSCSI SE adapter
 BN38C-02 2m SCSI cable,68HD-VHDCI.

KZPAC-CB RAID 3-port, 8MB cache
 KZPSC-UB Cache battery
 BN37A-02 2m SCSI cbl VHDCI-VHDCI.

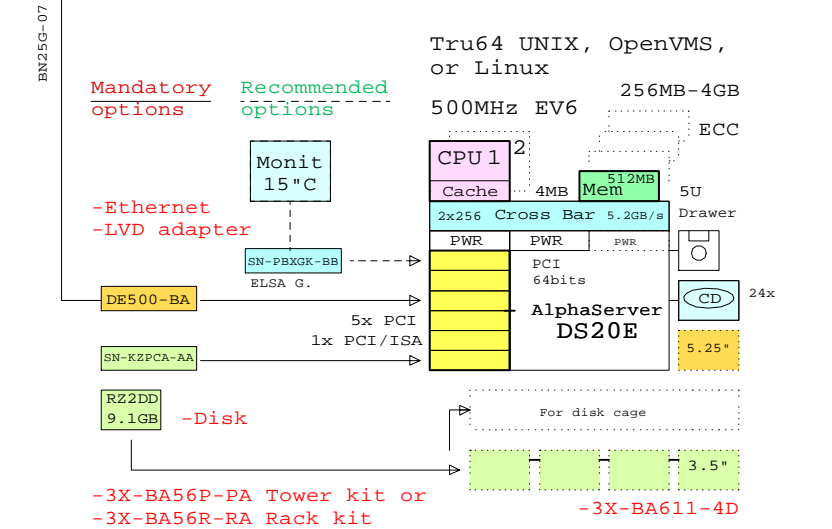
Controllers

SN-PBXGK-BB ELSA Gloria Graph. 8MB
 DE500-BA Fast Ethernet 10/100
 DEFFA-AB FDDI adapter,SAS MMF
 DEFFA-UB FDDI adapter,SAS TP-PMD
 KZPBA-CB UltraSCSI Diff, 68HD

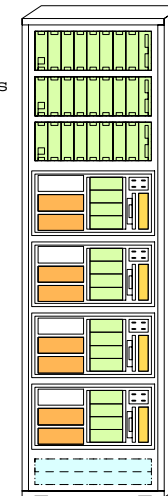
External options

Tape storage

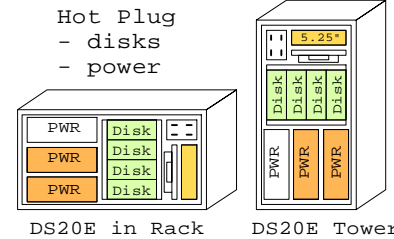
DS-TZ89N-TA 35/70GB DLT tape,TT
 BN21K-02 SCSI cable, FWD
 BN19C-2E Power cord, Europe
 KZPBA-CA UltraSCSI SE adapter



Shelves
 0-6
 1-6
 Sys



AlphaServer DS20E in Cabinet H9A15



Licenses included:

- DIGITAL UNIX V4.0F, Base license, Unlimited User license, Server Extension license, and Internet Access Software license and Netscape's Enterprise Server 3.0.
- OpenVMS V7.2-1, Base license and DIGITAL Enterprise Integration Package.

	@500MHz
SPECint95	28
SPECfp95	58
SPECweb96	6065
TPC	11600

Software Processor Code: E

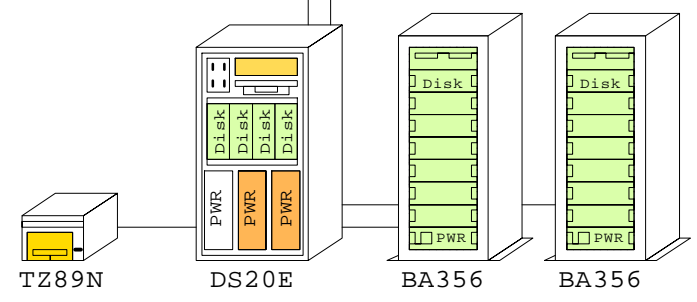
COMPAQ	27-Oct-1999	GEADS20E1
	Matti.Patari@compaq.com	

Compaq AlphaServer DS20E Syst.
 GOLDEN EGGS Visuals, Helsinki

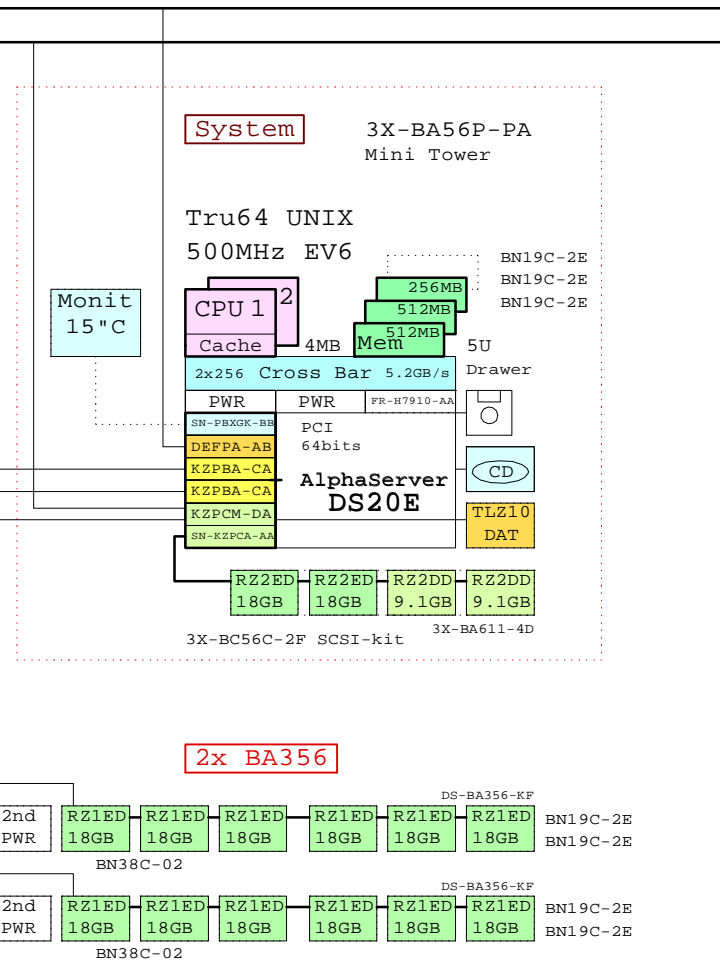
DS20E

DS20E expanded Tru64 UNIX system

FDDI
Ethernet



SN-LKQ47-AF
BN39C-02, Video
BN19C-2E



Bill of material

	Part Number	Qty	Description
	3X-BA56P-PA	1	DS20E Mini tower pedestal kit
1.1	3X-BC56C-2F	1	DS20E SCSI Cable Kit
1.2	BN19C-2E	3	PowerCable 240V, C-Europe
1.3	DA-56NRA-EA	1	AS DS20E 6/500 512MB, Rack, UNIX
1.3.1	3R-VROV5-24	1	COMPAQ V55 CLR MON, NH, TCO95
1.3.2	3X-BA611-4D	1	Disk Cage for DS20E, 4x disk
1.3.2.1	DS-RZ2DD-16	2	ES40 Disk 9.1GB 10k Ultra2 SCSI
1.3.2.2	DS-RZ2ED-16	2	ES40 Disk 18GB 10k Ultra2 SCSI
1.3.3	DEFPBA-AB	1	PCI to FDDI SAS
1.3.4	FR-H7910-AA	1	Third power supply for DS20E
1.3.5	KN310-BB	1	AS DS20E 6/500 SMP UPG UNIX
1.3.6	KZPBA-CA	2	PCI to UltraSCSI Adapter UWSE
1.3.7	KZPCM-DA	1	Dual Uscsi with FastEther PCI
1.3.8	MS340-CA	1	DS20 256MB SDIMM MEM 4x64MB
1.3.9	MS340-DA	1	DS20 512MB SDIMM MEM 4x128MB
1.3.10	SN-KZPCA-AA	1	Single channel LVD adapter
1.3.11	SN-PBXGK-BB	1	Elsa Gloria Synergy 8M Video Graphics
1.3.12	TLZ10-LB	1	12/24GB 4mm DAT 5.25" HH
2	DS-BA356-KF	1	Pedestal Storage, UltraW, Single-Bus
2.1	BN19C-2E	2	PowerCable 240V, C-Europe
2.2	BN38C-02	1	Ultra Cbl VHDCI - 68HD
2.3	CK-BA35X-HH	1	180W Stor.Shelf PWR for AS4x00
2.4	DS-RZ1ED-VW	6	18.2GB 10000r UltraSCSI disk
3	DS-BA356-KF	1	Pedestal Storage, UltraW, Single-Bus
3.1	BN19C-2E	2	PowerCable 240V, C-Europe
3.2	BN38C-02	1	Ultra Cbl VHDCI - 68HD
3.3	CK-BA35X-HH	1	180W Stor.Shelf PWR for AS4x00
3.4	DS-RZ1ED-VW	6	18.2GB 10000r UltraSCSI disk
4	DS-TZ89N-TA	1	35/70GB SE DLT-tape TT FWSE
5	BN39C-02	1	1.8 Video Extension Cable ****
6	SN-LKQ47-AF	1	102 KEY KYBD, NON-WIN, Finnish
7	BN19C-2E	2	PowerCable 240V, C-Europe
8	BN38C-02	1	Ultra Cbl VHDCI - 68HD

This template is included in the present GOLDEN EGGS Software kit.

DS20E UNIX

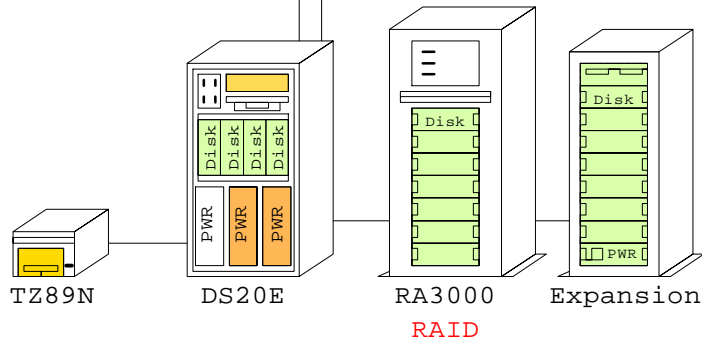
COMPAQ	14-Dec-1999	GTAUDS20E1
	Matti.Patari@compaq.com	

AlphaServer DS20E UNIX System
GOLDEN EGGS Visuals, Helsinki

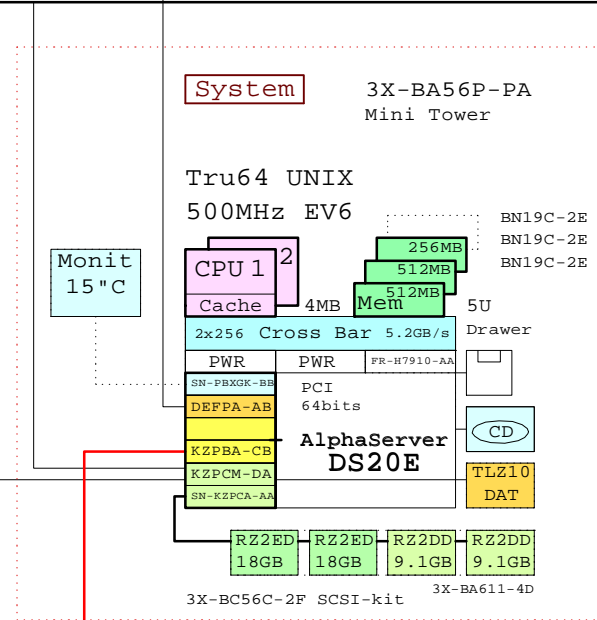
DS20E expanded Tru64 UNIX RAID system

FDDI

Ethernet



SN-LKQ47-AF
BN39C-02, Video
BN19C-2E

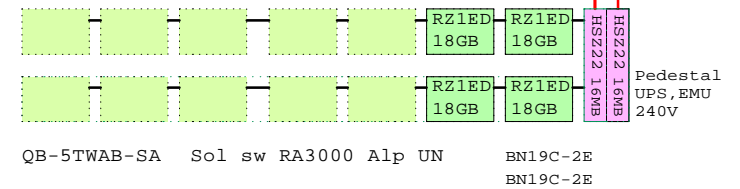


Bill of material

	Part Number	Qty	Description
	3X-BA56P-PA	1	DS20E Mini tower pedestal kit
1	3X-BA56P-PA	1	DS20E Mini tower pedestal kit
1.1	3X-BC56C-2F	1	DS20E SCSI Cable Kit
1.2	BN19C-2E	3	PowerCable 240V, C-Europe
1.3	DA-56NRA-EA	1	AS DS20E 6/500 512MB, Rack, UNIX
1.3.1	3R-VRQV5-24	1	COMPAQ V55 CLR MON, NH, TCO95
1.3.2	3X-BA611-4D	1	Disk Cage for DS20E, 4x disk
1.3.2.1	DS-RZ2DD-16	2	ES40 Disk 9.1GB 10k Ultra2 SCSI
1.3.2.2	DS-RZ2ED-16	2	ES40 Disk 18GB 10k Ultra2 SCSI
1.3.3	DEFPA-AB	1	PCI to FDDI SAS
1.3.4	FR-H7910-AA	1	Third power supply for DS20E
1.3.5	KN310-BB	1	AS DS20E 6/500 SMP UPG UNIX
1.3.6	KZPBA-CB	1	PCI to UltraSCSI Adapter Uwdif
1.3.7	KZPCM-DA	1	Dual Uscsi with FastEther PCI
1.3.8	MS340-CA	1	DS20 256MB SDIMM MEM 4x64MB
1.3.9	MS340-DA	1	DS20 512MB SDIMM MEM 4x128MB
1.3.10	SN-KZPCA-AA	1	Single channel LVD adapter
1.3.11	SN-PBXGK-BB	1	Elsa Gloria Synergy 8M Video Graphics
1.3.12	TLZ10-LB	1	12/24GB 4mm DAT 5.25" HH
2	DS-SWXRA-GC	1	RA3000 Pedestal one HSZ22 240V
2.1	DS-HSZ22-AA	1	HSZ22 controller 16MB
2.2	DS-RZ1ED-VW	2	18.2GB 10000r UltraSCSI disk
2.3	DS-SWXRA-GD	1	RA3000 Pedestal Expans 120/240
2.3.1	DS-RZ1ED-VW	2	18.2GB 10000r UltraSCSI disk
3	QB-5TWAB-SA	1	Sol sw RA3000 Alp UNIX
4	DS-TZ89N-TA	1	35/70GB SE DLT-tape TT FWSE
5	BN39C-02	1	1.8 Video Extension Cable ****
6	SN-LKQ47-AF	1	102 KEY KYBD, NON-WIN, Finnish
7	BN19C-2E	4	PowerCable 240V, C-Europe
8	BN38C-02	1	Ultra Cbl VHDCI - 68HD

TZ89N
DLT
35/70GB
BN19C-2E
BN38C-02

RA3000 RAID and Expansion

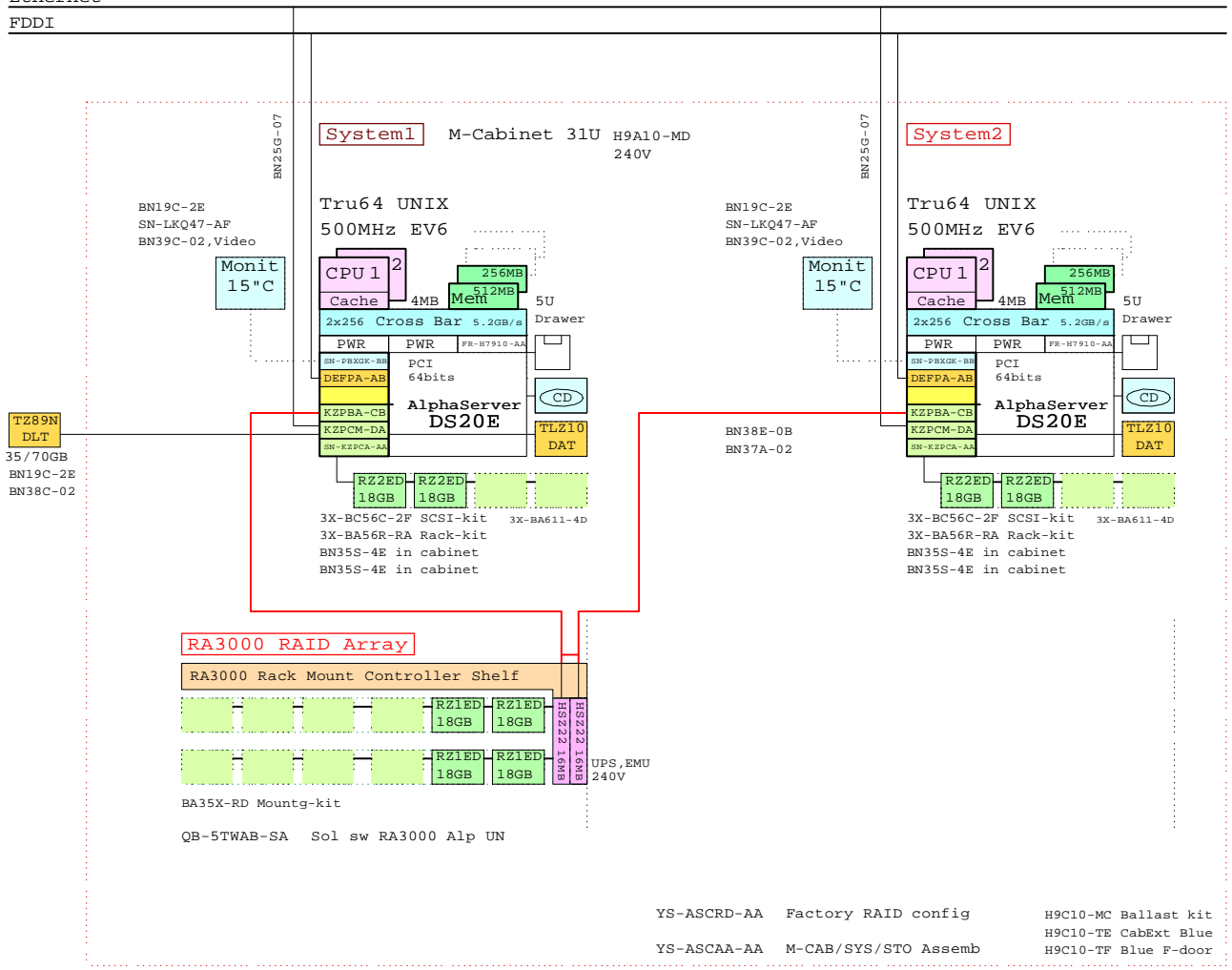


28-Jan-2000 GTAUDS20E2
Matti.Patari@compaq.com

AlphaServer DS20E UNIX RAID
GOLDEN EGGS Visuals, Helsinki

DS20E UNIX Cluster with in-cabinet RA3000 RAID storage

Ethernet
FDDI



BOM for this cabinet system

Part Number	Qty	Description
1	1	H9A10-MD 1 M-Series Cab,H9A10,Blue,240V 31U
1.1	2	3X-BA56R-RA 2 Rack mount kit, DS20E, for M-series
1.2	1	BA35X-RD 1 Mounting kit metric
1.3	2	BN19C-2E 2 PowerCable 240V, C-Europe
1.4	2	BN25G-07 2 17-03212-05 8MP-8MP PATCH CBL
1.5	4	BN35S-4E 4 PowerCord C13 to C14, Non US
1.6	1	BN37A-02 1 Ultra Cbl VHDCI - VHDCI
1.7	1	BN38E-0B 1 Ultra Cbl VHDCI - 68HD
1.8	2	BN39C-02 2 1.8 Video Extension Cable ****
1.9	1	DA-56NRA-EA 1 AS DS20E 6/500 512MB,Rack,UNIX
1.9.1	1	3R-VRQV5-24 1 COMPAQ V55 CLR MON,NH,TC095
1.9.2	1	3X-BA611-4D 1 Disk Cage for DS20E, 4x disk
1.9.2.1	1	3X-BC56C-2F 1 DS20E SCSI Cable Kit
1.9.2.2	2	DS-RZ2ED-16 2 ES40 Disk 18GB 10k Ultra2 SCSI
1.9.3	1	DEFFA-AB 1 PCI to FDDI SAS
1.9.4	1	FR-H7910-AA 1 Third power supply for DS20E
1.9.5	1	KN310-BB 1 AS DS20E 6/500 SMP UFG UNIX
1.9.6	1	KZPBA-CB 1 PCI to UltraSCSI Adapter Uwdif
1.9.7	1	KZPCM-DA 1 Dual Uscai with FastEther PCI
1.9.8	1	MS340-CA 1 DS20 256MB SDIMM MEM 4x64MB
1.9.9	1	SN-KZPCA-AA 1 Single channel LVD adapter
1.9.10	1	SN-PBXGK-BB 1 Elsa Gloria Synergy 8M Video Graphics
1.9.11	1	TLZ10-LB 1 12/24GB 4mm DAT 5.25" HH
1.10	1	DA-56NRA-EA 1 AS DS20E 6/500 512MB,Rack,UNIX
1.10.1	1	3R-VRQV5-24 1 COMPAQ V55 CLR MON,NH,TC095
1.10.2	1	3X-BA611-4D 1 Disk Cage for DS20E, 4x disk
1.10.2.1	1	3X-BC56C-2F 1 DS20E SCSI Cable Kit
1.10.2.2	2	DS-RZ2ED-16 2 ES40 Disk 18GB 10k Ultra2 SCSI
1.10.3	1	DEFFA-AB 1 PCI to FDDI SAS
1.10.4	1	FR-H7910-AA 1 Third power supply for DS20E
1.10.5	1	KN310-BB 1 AS DS20E 6/500 SMP UFG UNIX
1.10.6	1	KZPBA-CB 1 PCI to UltraSCSI Adapter Uwdif
1.10.7	1	KZPCM-DA 1 Dual Uscai with FastEther PCI
1.10.8	1	MS340-CA 1 DS20 256MB SDIMM MEM 4x64MB
1.10.9	1	SN-KZPCA-AA 1 Single channel LVD adapter
1.10.10	1	SN-PBXGK-BB 1 Elsa Gloria Synergy 8M Video Graphics
1.10.11	1	TLZ10-LB 1 12/24GB 4mm DAT 5.25" HH
1.11	1	DS-SWXRA-GK 1 RA3000 Rackmount one HSZ22 240V
1.11.1	1	DS-HSZ22-AA 1 HSZ22 controller 16MB
1.11.2	1	DS-SWXRA-GN 1 RA3000 Rackmount Expan 120/240
1.11.2.1	2	DS-RZ1ED-VW 2 18.2GB 10000r UltraSCSI disk
1.11.3	1	DS-SWXRA-GN 1 RA3000 Rackmount Expan 120/240
1.11.3.1	2	DS-RZ1ED-VW 2 18.2GB 10000r UltraSCSI disk
1.12	1	H9C10-MC 1 Ballast Kit for cabinets
1.13	1	H9C10-TE 1 Rear cab extender for H9A10 Blue
1.14	1	H9C10-TF 1 FrontDoorKit Blue for H9A10
1.15	1	QB-5TWAB-SA 1 Sol sw RA3000 Alp UNIX
1.16	1	SN-LKQ47-AF 2 102 KEY KYBD, NON-WIN, Finnish
1.17	1	YS-ASCAA-AA 1 M-CAB/SYS/STO Assembly
1.18	1	YS-ASCRD-AA 1 Factory configured RAID sets
2	1	DS-TZ89N-TA 1 35/70GB SE DLT-tape TT FWSE
3	1	BN19C-2E 1 PowerCable 240V, C-Europe
4	1	BN38C-02 1 Ultra Cbl VHDCI - 68HD

YS-ASCRD-AA Factory RAID config H9C10-MC Ballast kit
 H9C10-TE CabExt Blue
 H9C10-TF Blue F-door
 YS-ASCAA-AA M-CAB/SYS/STO Assemb

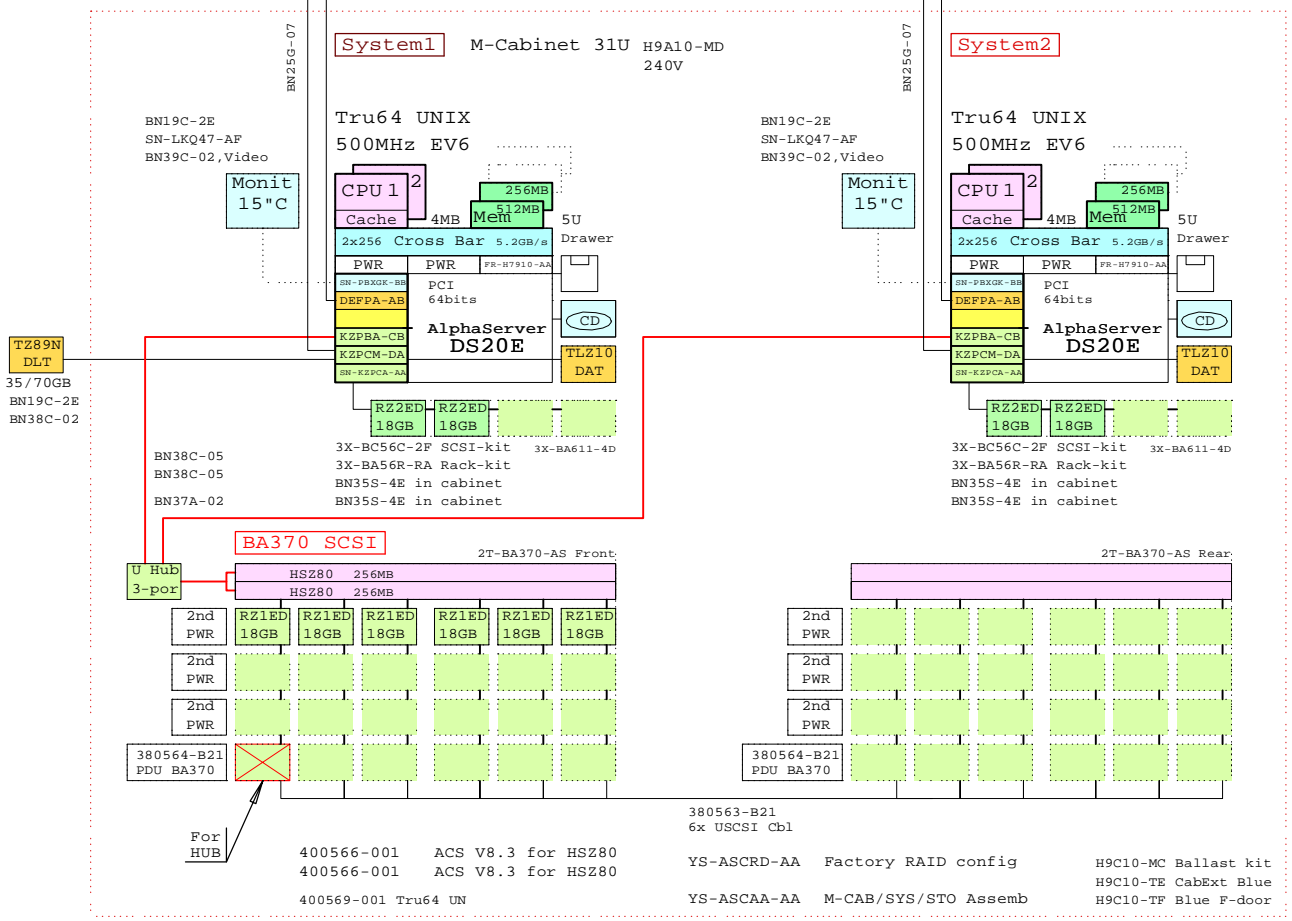
This template is included in the present GOLDEN EGGS Software kit.

DS20E UNIX

COMPAQ	26-Jan-2000	GTAUDS20E3
	MattI.Patari@Compaq.com	
AlphaServer DS20E UNIX Cluster GOLDEN EGGS Visuals, Helsinki		

DS20E UNIX Cluster with in-cabinet RAID storage

Ethernet
FDDI



BOM for this cabinet system

Part Number	Qty	Description
1		H9A10-MD
1.1	1	2T-BA370-AR
1.1.1	1	380564-B21
1.1.2	3	380565-B21
1.2	1	2T-BA370-AS
1.2.1	1	380564-B21
1.2.2	3	380565-B21
1.2.3	2	400565-B21
1.2.4	1	DS-DWZZH-03
1.2.5	6	DS-RZ1ED-VW
1.3	1	380563-B21
1.4	2	3X-BA56R-RA
1.5	2	400566-001
1.6	1	400569-001
1.7	2	BN19C-2E
1.8	2	BN25G-07
1.9	4	BN35S-4E
1.10	1	BN37A-02
1.11	2	BN38C-05
1.12	2	BN39C-02
1.13	1	DA-56NRA-EA
1.13.1	1	3R-VROV5-24
1.13.2	1	3X-BA611-4D
1.13.2.1	1	3X-BC56C-2F
1.13.2.2	2	DS-RZ2ED-16
1.13.3	1	DEFPA-AB
1.13.4	1	FR-H7910-AA
1.13.5	1	KN310-BB
1.13.6	1	KZPBA-CB
1.13.7	1	KZPCM-DA
1.13.8	1	MS340-CA
1.13.9	1	SN-KZPCA-AA
1.13.10	1	SN-PBXGR-BB
1.13.11	1	TLZ10-LB
1.14	1	DA-56NRA-EA
1.14.1	1	3R-VROV5-24
1.14.2	1	3X-BA611-4D
1.14.2.1	1	3X-BC56C-2F
1.14.2.2	2	DS-RZ2ED-16
1.14.3	1	DEFPA-AB
1.14.4	1	FR-H7910-AA
1.14.5	1	KN310-BB
1.14.6	1	KZPBA-CB
1.14.7	1	KZPCM-DA
1.14.8	1	MS340-CA
1.14.9	1	SN-KZPCA-AA
1.14.10	1	SN-PBXGR-BB
1.14.11	1	TLZ10-LB
1.15	1	H9C10-MC
1.16	1	H9C10-TE
1.17	1	H9C10-TF
1.18	1	SN-LKQ47-AF
1.19	1	YS-ASCAA-AA
1.20	1	YS-ASCRD-AA
2	1	DS-TZ89N-TA
3	1	BN19C-2E
4	1	BN38C-02

For HUB

400566-001 ACS V8.3 for HSZ80	YS-ASCRD-AA Factory RAID config	H9C10-MC Ballast kit
400566-001 ACS V8.3 for HSZ80	YS-ASCAA-AA M-CAB/SYS/STO Assemb	H9C10-TE CabExt Blue
400569-001 Tru64 UN		H9C10-TF Blue F-door

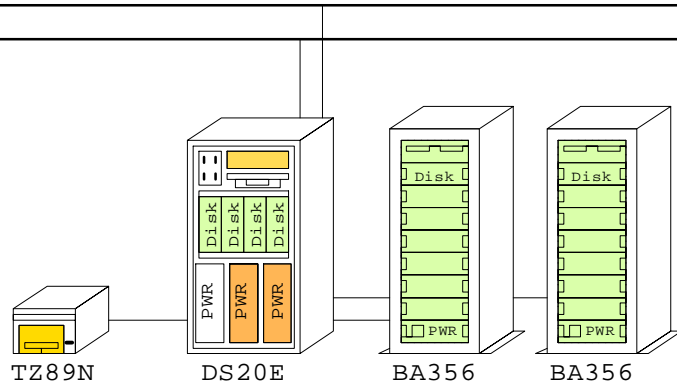
This template is included in the present GOLDEN EGGS Software kit.

DS20E UNIX

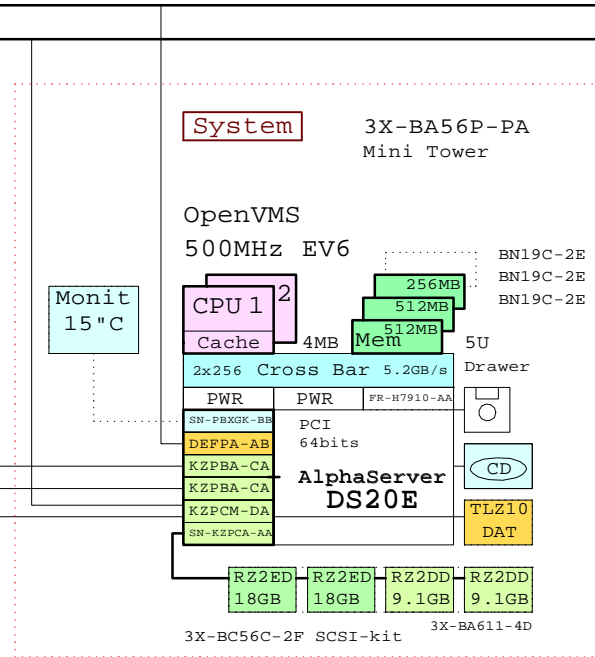
COMPAQ	26-Jan-2000	GTAUDS20E4
	Matti.Patari@Compaq.com	
AlphaServer DS20E UNIX Cluster		
GOLDEN EGGS Visuals, Helsinki		

FDDI
Ethernet

DS20E expanded OpenVMS system



LK461-AF
BN39C-02, Video
BN19C-2E

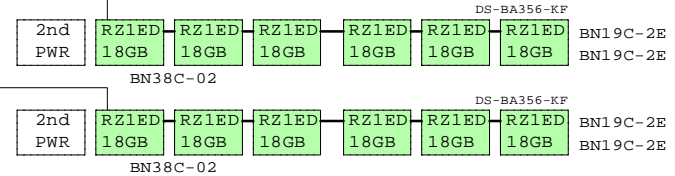


Bill of material

	Part Number	Qty	Description
1	3X-BA56P-PA	1	DS20E Mini tower pedestal kit
1.1	3X-BC56C-2F	1	DS20E SCSI Cable Kit
1.2	BN19C-2E	3	PowerCable 240V, C-Europe
1.3	DY-56NRA-EA	1	AS DS20E 6/500 512MB,Rack,OVMS
1.3.1	3R-VRQV5-24	1	COMPAQ V55 CLR MON,NH,TC095
1.3.2	3X-BA611-4D	1	Disk Cage for DS20E, 4x disk
1.3.2.1	DS-RZ2DD-16	2	ES40 Disk 9.1GB 10k Ultra2 SCSI
1.3.2.2	DS-RZ2ED-16	2	ES40 Disk 18GB 10k Ultra2 SCSI
1.3.3	DEFPA-AB	1	PCI to FDDI SAS
1.3.4	FR-H7910-AA	1	Third power supply for DS20E
1.3.5	KN310-BC	1	AS DS20E 6/500 SMP UPG OpenVMS
1.3.6	KZPBA-CA	2	PCI to UltraSCSI Adapter UWSE
1.3.7	KZPCM-DA	1	Dual Uscsi with FastEther PCI
1.3.8	MS340-CA	1	DS20 256MB SDIMM MEM 4x64MB
1.3.9	MS340-DA	1	DS20 512MB SDIMM MEM 4x128MB
1.3.10	SN-KZPCA-AA	1	Single channel LVD adapter
1.3.11	SN-PBXGK-BB	1	Elsa Gloria Synergy 8M Video Graphics
1.3.12	TLZ10-LB	1	12/24GB 4mm DAT 5.25" HH
2	DS-BA356-KF	1	Pedestal Storage, UltraW, Single-Bus
2.1	BN19C-2E	2	PowerCable 240V, C-Europe
2.2	BN38C-02	1	Ultra Cbl VHDCI - 68HD
2.3	CK-BA35X-HH	1	180W Stor.Shelf PWR for AS4x00
2.4	DS-RZ1ED-VW	6	18.2GB 10000r UltraSCSI disk
3	DS-BA356-KF	1	Pedestal Storage, UltraW, Single-Bus
3.1	BN19C-2E	2	PowerCable 240V, C-Europe
3.2	BN38C-02	1	Ultra Cbl VHDCI - 68HD
3.3	CK-BA35X-HH	1	180W Stor.Shelf PWR for AS4x00
3.4	DS-RZ1ED-VW	6	18.2GB 10000r UltraSCSI disk
4	DS-TZ89N-TA	1	35/70GB SE DLT-tape TT FWSE
5	BN39C-02	1	1.8 Video Extension Cable ****
6	BN19C-2E	2	PowerCable 240V, C-Europe
7	BN38C-02	1	Ultra Cbl VHDCI - 68HD
8	LK461-AF	1	VMS STYLE KEYBOARD, Fin/Swed

TZ89N
DLT
35/70GB
BN19C-2E
BN38C-02

2x BA356



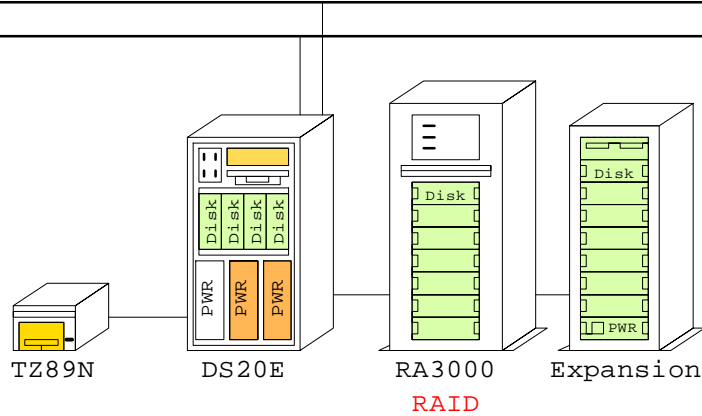
COMPAQ 14-Dec-1999 GTAVDS20E1
Matti.Patari@compaq.com

AlphaServer DS20E OpenVMS Syst
GOLDEN EGGS Visuals, Helsinki

DS20E expanded OpenVMS RAID system

FDDI

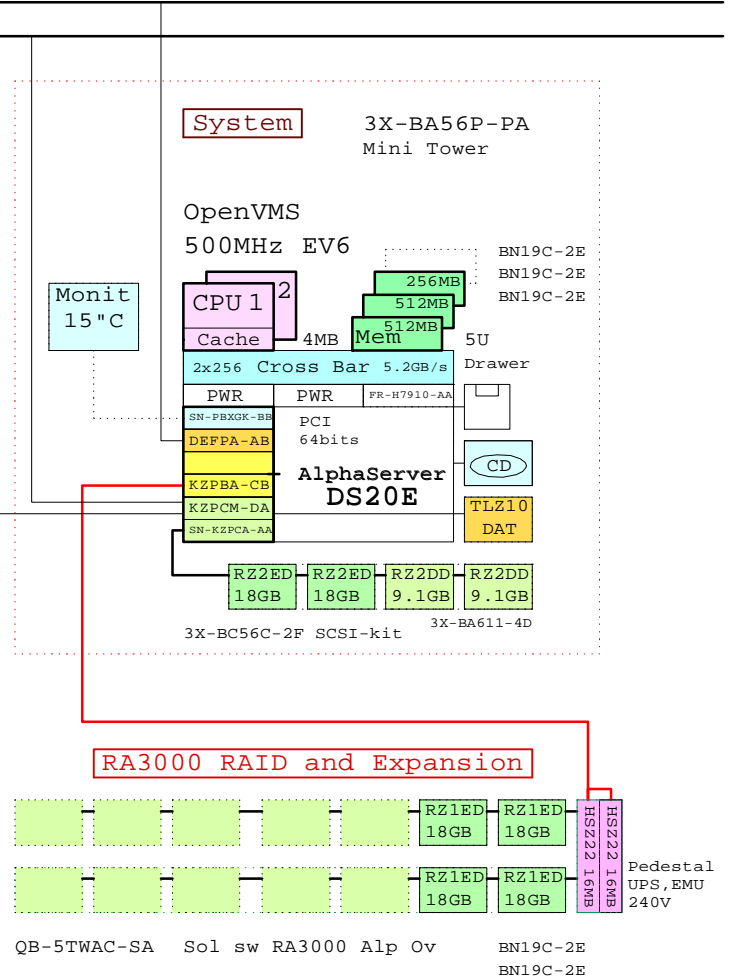
Ethernet



Bill of material

	Part Number	Qty	Description
1	3X-BA56P-PA	1	DS20E Mini tower pedestal kit
1.1	3X-BC56C-2F	1	DS20E SCSI Cable Kit
1.2	BN19C-2E	3	PowerCable 240V, C-Europe
1.3	DY-56NRA-EA	1	AS DS20E 6/500 512MB,Rack,OVMS
1.3.1	3R-VRQV5-24	1	COMPAQ V55 CLR MON,NH,TCO95
1.3.2	3X-BA611-4D	1	Disk Cage for DS20E, 4x disk
1.3.2.1	DS-RZ2DD-16	2	ES40 Disk 9.1GB 10k Ultra2 SCSI
1.3.2.2	DS-RZ2ED-16	2	ES40 Disk 18GB 10k Ultra2 SCSI
1.3.3	DEFPA-AB	1	PCI to FDDI SAS
1.3.4	FR-H7910-AA	1	Third power supply for DS20E
1.3.5	KN310-BC	1	AS DS20E 6/500 SMP UPG OpenVMS
1.3.6	KZPBA-CB	1	PCI to UltraSCSI Adapter UWdif
1.3.7	KZPCM-DA	1	Dual Uscsi with FastEther PCI
1.3.8	MS340-CA	1	DS20 256MB SDIMM MEM 4x64MB
1.3.9	MS340-DA	1	DS20 512MB SDIMM MEM 4x128MB
1.3.10	SN-KZPCA-AA	1	Single channel LVD adapter
1.3.11	SN-PBXGK-BB	1	Elsa Gloria Synergy 8M Video Graphics
1.3.12	TLZ10-LB	1	12/24GB 4mm DAT 5.25" HH
2	DS-SWXRA-GC	1	RA3000 Pedestal one HSZ22 240V
2.1	DS-HSZ22-AA	1	HSZ22 controller 16MB
2.2	DS-RZ1ED-VW	2	18.2GB 10000r UltraSCSI disk
2.3	DS-SWXRA-GD	1	RA3000 Pedestal Expans 120/240
2.3.1	DS-RZ1ED-VW	2	18.2GB 10000r UltraSCSI disk
3	QB-5TWAC-SA	1	Sol sw RA3000 Alp Ovms
4	DS-TZ89N-TA	1	35/70GB SE DLT-tape TT FWSE
5	BN39C-02	1	1.8 Video Extension Cable ****
6	BN19C-2E	4	PowerCable 240V, C-Europe
7	BN38C-02	1	Ultra Cbl VHDCI - 68HD
8	LK461-AF	1	VMS STYLE KEYBOARD, Fin/Swed

LK461-AF
BN39C-02,Video
BN19C-2E

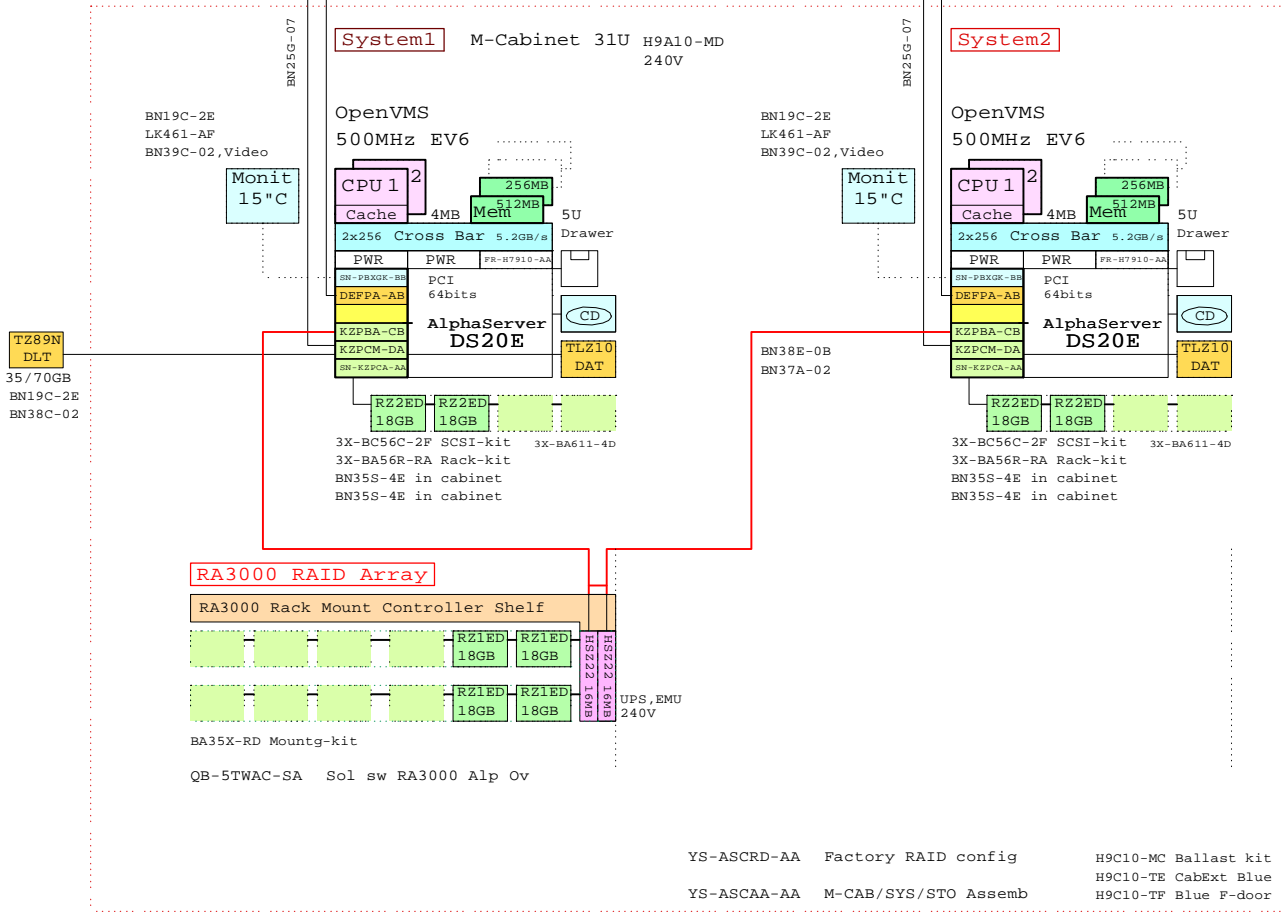


COMPAQ	28-Jan-2000	GTAVDS20E2
	Matti.Patari@compaq.com	
AlphaServer DS20E OpenVMS RAID		
GOLDEN EGGS Visuals, Helsinki		

DS20E OpenVMS Cluster with in-cabinet RA3000 RAID storage

Ethernet

FDDI



BOM for this cabinet system

Part Number	Qty	Description
1	1	H9A10-MD 1 M-Series Cab,H9A10,Blue,240V 31U
1.1	2	3X-BA56R-RA 2 Rack mount kit, DS20E, for M-series
1.2	1	BA35X-RD 1 Mounting kit, metric
1.3	2	BN19C-2E 2 PowerCable 240V, C-Europe
1.4	2	BN25G-07 2 17-03212-05 8MP-8MP PATCH CBL
1.5	4	BN35S-4E 4 PowerCord C13 to C14, Non US
1.6	1	BN37A-02 1 Ultra Cbl VHDCI - VHDCI
1.7	1	BN38E-0B 1 Ultra Cbl VHDCI - 68HD
1.8	2	BN39C-02 2 1.8 Video Extension Cable ****
1.9	1	DS-SWXRA-GK 1 RA3000 Rackmount one HSZ22 240V
1.9.1	1	DS-HSZ22-AA 1 HSZ22 controller 16MB
1.9.2	1	DS-SWXRA-GN 1 RA3000 Rackmount Expan L20/240
1.9.2.1	2	DS-RZ1ED-VW 2 18.2GB 10000r UltraSCSI disk
1.9.3	1	DS-SWXRA-GN 1 RA3000 Rackmount Expan L20/240
1.9.3.1	2	DS-RZ1ED-VW 2 18.2GB 10000r UltraSCSI disk
1.10	1	DY-56NRA-EA 1 AS DS20E 6/500 512MB,Rack_OVMS
1.10.1	1	3R-VRQV5-24 1 COMPAQ V55 CLR MON,NH,TCO95
1.10.2	1	3X-BA611-4D 1 Disk Cage for DS20E, 4x disk
1.10.2.1	1	3X-BC56C-2F 1 DS20E SCSI Cable Kit
1.10.2.2	2	DS-RZ2ED-16 2 ES40 Disk 18GB 10k Ultra2 SCSI
1.10.3	1	DEFFPA-AB 1 PCI to FDDI SAS
1.10.4	1	FR-H7910-AA 1 Third power supply for DS20E
1.10.5	1	KN310-BC 1 AS DS20E 6/500 SMP UFG OpenVMS
1.10.6	1	KZPBA-CB 1 PCI to UltraSCSI Adapter UWdif
1.10.7	1	KZPCM-DA 1 Dual Uscsi with FastEther PCI
1.10.8	1	MS340-CA 1 DS20 256MB SDIMM MEM 4x64MB
1.10.9	1	SN-KZPCA-AA 1 Single channel LVD adapter
1.10.10	1	SN-PBXGK-BB 1 Elsa Gloria Synergy 8M Video Graphics
1.10.11	1	TLZ10-LB 1 12/24GB 4mm DAT 5.25" HH
1.11	1	DY-56NRA-EA 1 AS DS20E 6/500 512MB,Rack_OVMS
1.11.1	1	3R-VRQV5-24 1 COMPAQ V55 CLR MON,NH,TCO95
1.11.2	1	3X-BA611-4D 1 Disk Cage for DS20E, 4x disk
1.11.2.1	1	3X-BC56C-2F 1 DS20E SCSI Cable Kit
1.11.2.2	2	DS-RZ2ED-16 2 ES40 Disk 18GB 10k Ultra2 SCSI
1.11.3	1	DEFFPA-AB 1 PCI to FDDI SAS
1.11.4	1	FR-H7910-AA 1 Third power supply for DS20E
1.11.5	1	KN310-BC 1 AS DS20E 6/500 SMP UFG OpenVMS
1.11.6	1	KZPBA-CB 1 PCI to UltraSCSI Adapter UWdif
1.11.7	1	KZPCM-DA 1 Dual Uscsi with FastEther PCI
1.11.8	1	MS340-CA 1 DS20 256MB SDIMM MEM 4x64MB
1.11.9	1	SN-KZPCA-AA 1 Single channel LVD adapter
1.11.10	1	SN-PBXGK-BB 1 Elsa Gloria Synergy 8M Video Graphics
1.11.11	1	TLZ10-LB 1 12/24GB 4mm DAT 5.25" HH
1.12	1	H9C10-MC 1 Ballast Kit for cabinets
1.13	1	H9C10-TE 1 Rear cab extender for H9A10 Blue
1.14	1	H9C10-TF 1 FrontDoorKit Blue for H9A10
1.15	2	LK461-AF 2 VMS STYLE KEYBOARD, Fin/Swed
1.16	1	QB-5TWAC-SA 1 Sol sw RA3000 Alp Ovms
1.17	1	YS-ASCAA-AA 1 M-CAB/SYS/STO Assembly
1.18	1	YS-ASCRD-AA 1 Factory configured RAID sets
2	1	DS-TZ89N-TA 1 35/70GB SE DLT-tape TT FWSE
3	1	BN19C-2E 1 PowerCable 240V, C-Europe
4	1	BN38C-02 1 Ultra Cbl VHDCI - 68HD

This template is included in the present GOLDEN EGGS Software kit.

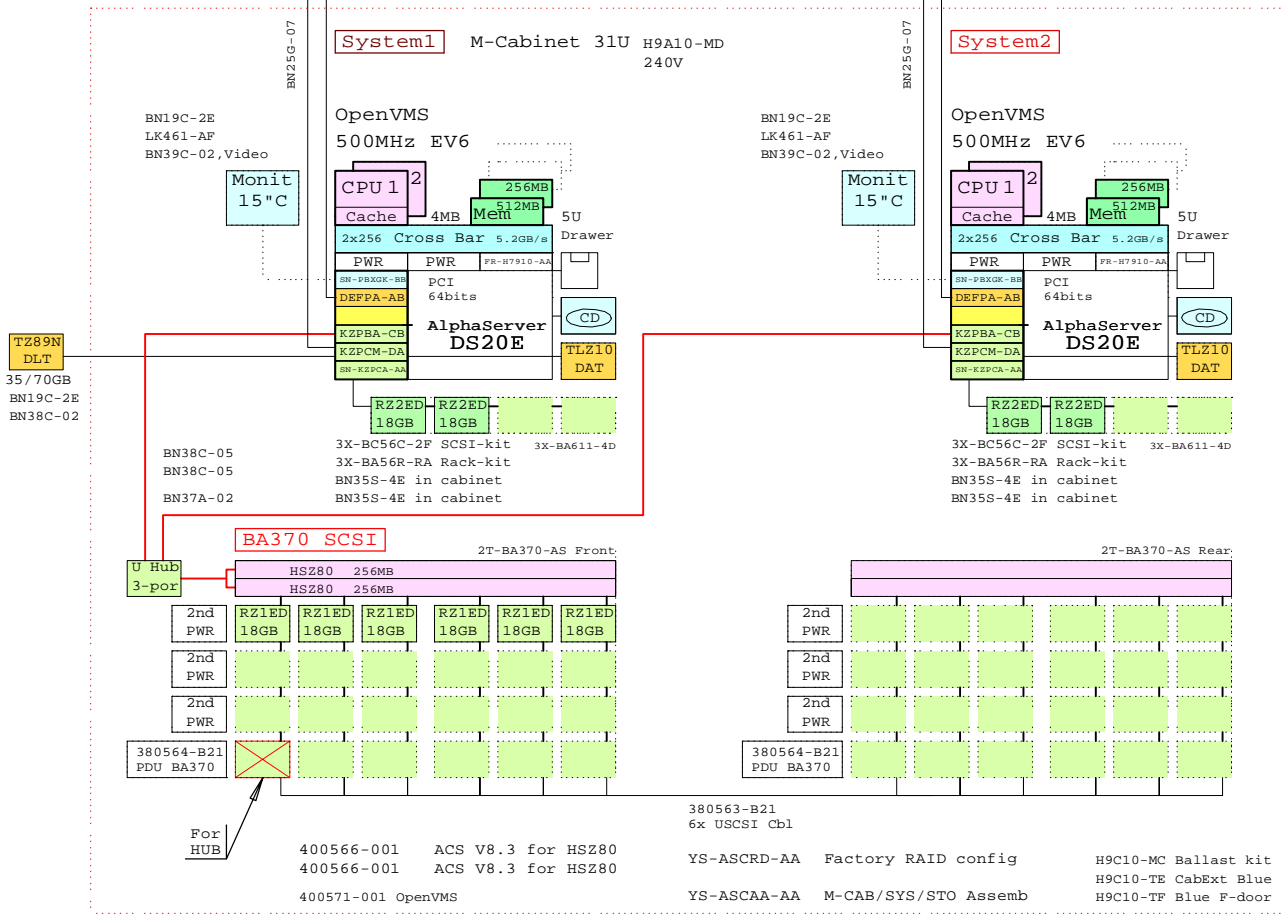
DS20E OVMS

COMPAQ	26-Jan-2000	GTAVDS20E3
	Matti.Patari@Compaq.com	
AlphaServer DS20E OVMS Cluster		
GOLDEN EGGS Visuals, Helsinki		

DS20E OpenVMS Cluster with in-cabinet RAID storage

Ethernet

FDDI



BOM for this cabinet system

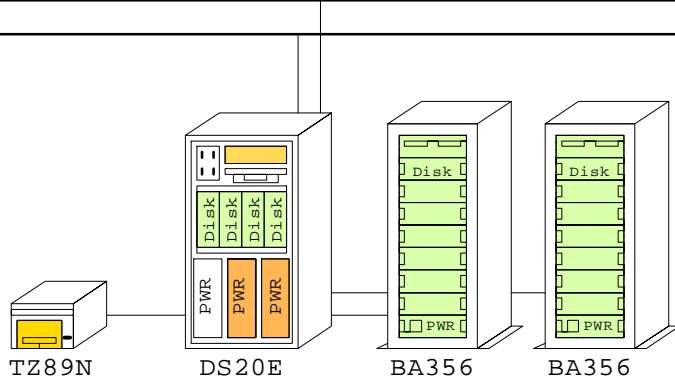
Part Number	Qty	Description
1		H9A10-MD 1 M-Series Cab,H9A10,Blue,240V 31U
1.1		2T-BA370-AR 1 BA370 shelf,slides Rear RackMount
1.1.1		380564-B21 1 Power Distribution Unit RABK/7k
1.1.2		380565-B21 3 Power Supply 180W Hot Plug SBB
1.2		2T-BA370-AS 1 BA370 shelf,slides Front RackMount
1.2.1		380564-B21 1 Power Distribution Unit RABK/7k
1.2.2		380565-B21 3 Power Supply 180W Hot Plug SBB
1.2.3		400565-B21 2 Ultra Opt.1 cont w 2x128MB cache HSZ80
1.2.4		DS-DWZZH-03 1 Uscsi Act hub 0 SE:3/Dif 3.5" SBB
1.2.5		DS-RZ1ED-VW 6 18.2GB 10000r UltraSCSI disk
1.3		380563-B21 1 Set of six USCSI cables
1.4		3X-BA56R-RA 2 Rack mount kit, DS20E, for M-series
1.5		400566-001 2 HSZ80 Controller Software ACS V8.3
1.6		400571-001 1 Ultra opt OS Software OpenVMS
1.7		BN19C-2E 2 PowerCable 240V, C-Europe
1.8		BN25G-07 2 17-03212-05 8MP-8MP PATCH CBL
1.9		BN35S-4E 4 PowerCord C13 to C14, Non US
1.10		BN37A-02 1 Ultra Cbl VHDCI - VHDCI
1.11		BN38C-05 2 Ultra Cbl VHDCI - 68HD
1.12		BN39C-02 2 1.8 Video Extension Cable ****
1.13		DY-56NRA-EA 1 AS DS20E 6/500 512MB,Rack_OVMS
1.13.1		3R-VROV5-24 1 COMPAQ V55 CLR MON,NH,TCO95
1.13.2		3X-BA611-4D 1 Disk Cage for DS20E, 4x disk
1.13.2.1		3X-BC56C-2F 1 DS20E SCSI Cable Kit
1.13.2.2		DS-RZ2ED-16 2 ES40 Disk 18GB 10k Ultra2 SCSI
1.13.3		DEFPA-AB 1 PCI to FDDI SAS
1.13.4		FR-H7910-AA 1 Third power supply for DS20E
1.13.5		KN310-BC 1 AS DS20E 6/500 SMP UPG OpenVMS
1.13.6		KZPBA-CB 1 PCI to UltraSCSI Adapter Uwdif
1.13.7		KZPCM-DA 1 Dual Uscsi with FastEther PCI
1.13.8		MS340-CA 1 DS20 256MB SDIMM MEM 4x64MB
1.13.9		SN-KZPCA-AA 1 Single channel LVD adapter
1.13.10		SN-PBXGK-BB 1 Elsa Gloria Synergy 8M Video Graphics
1.13.11		TLZ10-LB 1 12/24GB 4mm DAT 5.25" HH
1.14		DY-56NRA-EA 1 AS DS20E 6/500 512MB,Rack_OVMS
1.14.1		3R-VROV5-24 1 COMPAQ V55 CLR MON,NH,TCO95
1.14.2		3X-BA611-4D 1 Disk Cage for DS20E, 4x disk
1.14.2.1		3X-BC56C-2F 1 DS20E SCSI Cable Kit
1.14.2.2		DS-RZ2ED-16 2 ES40 Disk 18GB 10k Ultra2 SCSI
1.14.3		DEFPA-AB 1 PCI to FDDI SAS
1.14.4		FR-H7910-AA 1 Third power supply for DS20E
1.14.5		KN310-BC 1 AS DS20E 6/500 SMP UPG OpenVMS
1.14.6		KZPBA-CB 1 PCI to UltraSCSI Adapter Uwdif
1.14.7		KZPCM-DA 1 Dual Uscsi with FastEther PCI
1.14.8		MS340-CA 1 DS20 256MB SDIMM MEM 4x64MB
1.14.9		SN-KZPCA-AA 1 Single channel LVD adapter
1.14.10		SN-PBXGK-BB 1 Elsa Gloria Synergy 8M Video Graphics
1.14.11		TLZ10-LB 1 12/24GB 4mm DAT 5.25" HH
1.15		H9C10-MC 1 Ballast Kit for cabinets
1.16		H9C10-TE 1 Rear cab extender for H9A10 Blue
1.17		H9C10-TF 1 FrontDoorKit Blue for H9A10
1.18		LK461-AF 2 VMS STYLE KEYBOARD, Fin/Swed
1.19		YS-ASCAA-AA 1 M-CAB/SYS/STO Assembly
1.20		YS-ASCRD-AA 1 Factory configured RAID sets
2		DS-TZ89N-TA 1 35/70GB SE DLT-tape TT FWSE
3		BN19C-2E 1 PowerCable 240V, C-Europe
4		BN38C-02 1 Ultra Cbl VHDCI - 68HD

This template is included in the present GOLDEN EGGS Software kit.

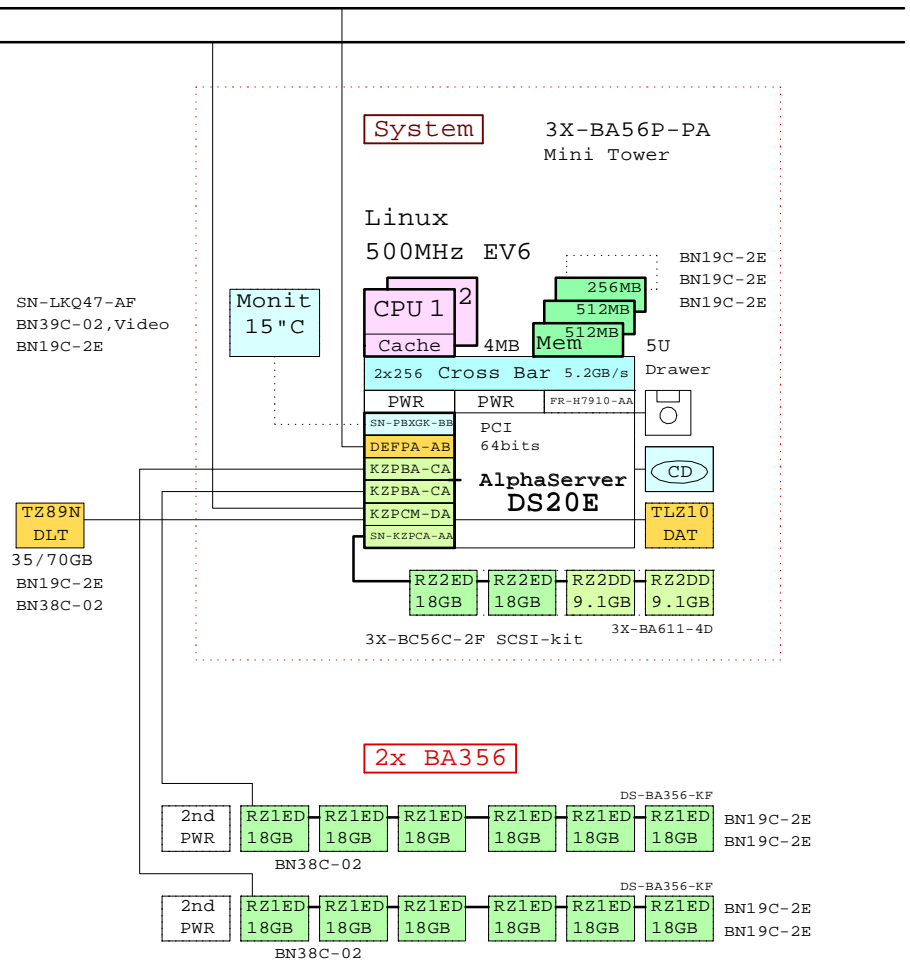
DS20E OVMS

COMPAQ	26-Jan-2000	GTAVDS20EA
	Matti.Patari@Compaq.com	
AlphaServer DS20E OVMS Cluster		
GOLDEN EGGS Visuals, Helsinki		

FDDI
Ethernet



DS20E expanded Linux system



Bill of material

	Part Number	Qty	Description
1	3X-BA56P-PA	1	DS20E Mini tower pedestal kit
1.1	3X-BC56C-2F	1	DS20E SCSI Cable Kit
1.2	BN19C-2E	3	PowerCable 240V, C-Europe
1.3	DJ-56NRA-EA	1	AS DS20E 6/500 512MB,Rack, Linux
1.3.1	3X-VRQV5-24	1	COMPAQ V55 CLR MON,NH,TC095
1.3.2	3X-BA611-4D	1	Disk Cage for DS20E, 4x disk
1.3.2.1	DS-RZ2DD-16	2	ES40 Disk 9.1GB 10k Ultra2 SCSI
1.3.2.2	DS-RZ2ED-16	2	ES40 Disk 18GB 10k Ultra2 SCSI
1.3.3	DEFPA-AB	1	PCI to FDDI SAS
1.3.4	FR-H7910-AA	1	Third power supply for DS20E
1.3.5	KN310-BD	1	AS DS20E 6/500 SMP UPG for Linux
1.3.6	KZPBA-CA	2	PCI to UltraSCSI Adapter UWSE
1.3.7	KZPCM-DA	1	Dual Uscsi with FastEther PCI
1.3.8	MS340-CA	1	DS20 256MB SDIMM MEM 4x64MB
1.3.9	MS340-DA	1	DS20 512MB SDIMM MEM 4x128MB
1.3.10	SN-KZPCA-AA	1	Single channel LVD adapter
1.3.11	SN-PBXGK-BB	1	Elsa Gloria Synergy 8M Video Graphics
1.3.12	TLZ10-LB	1	12/24GB 4mm DAT 5.25" HH
2	DS-BA356-KF	1	Pedestal Storage, UltraW, Single-Bus
2.1	BN19C-2E	2	PowerCable 240V, C-Europe
2.2	BN38C-02	1	Ultra Cbl VHDCI - 68HD
2.3	CK-BA35X-HH	1	180W Stor.Shelf PWR for AS4x00
2.4	DS-RZ1ED-VW	6	18.2GB 10000r UltraSCSI disk
3	DS-BA356-KF	1	Pedestal Storage, UltraW, Single-Bus
3.1	BN19C-2E	2	PowerCable 240V, C-Europe
3.2	BN38C-02	1	Ultra Cbl VHDCI - 68HD
3.3	CK-BA35X-HH	1	180W Stor.Shelf PWR for AS4x00
3.4	DS-RZ1ED-VW	6	18.2GB 10000r UltraSCSI disk
4	DS-TZ89N-TA	1	35/70GB SE DLT-tape TT FWSE
5	BN39C-02	1	1.8 Video Extension Cable ****
6	SN-LKQ47-AF	1	102 KEY KYBD, NON-WIN, Finnish
7	BN19C-2E	2	PowerCable 240V, C-Europe
8	BN38C-02	1	Ultra Cbl VHDCI - 68HD

COMPAQ 14-Dec-1999 GTALDS20E1
Matti.Patari@compaq.com

AlphaServer DS20E Linux System
GOLDEN EGGS Visuals, Helsinki

AlphaServer ES40 6/500 Systems, 64bits 500MHz

Model	Tru64 UNIX	OpenVMS	Linux Ready
#1 M1	6xPCI -CA 512MB DA-62AAA -DA 1GB	-CA 512MB DY-62AAA -DA 1GB	DJ-62AAA-CA 512MB
M2	10xPCI -DA 1GB DA-64AAA -EA 2GB	-DA 1GB DY-64AAA -EA 2GB	

#2 Select Enclosure, Disk Cage, Disk Drive, USCSI Controller, Ethernet and Graphics.

Mini-Tower	Pedestal	Cabinet
BA61M-MT Mini-Tower	BA61P-PA/PB Pedestal 120/240V	H9A15-MC/MD Cabinet 120V/240V, 38U
BA610-4D Disk Drive Cage	KZPCM-DA 2xUSCSI+ Ethernet	H9C15-TE Cabinet rear extender
DS-RZ2DD-16 Disk 9.1GB 10k	BN37A-02 SCSI cable, 2m	H9C15-TF Cabinet front door
DS-RZ2ED-16 Disk 18.2GB 10k	BA36R-RC Single-buss shelf	H9C10-MC Ballast kit, 40lbs
DE500-BA Ethernet 10/100	BA36R-RD Split-buss shelf	BA61R-RM Rack mount kit
BN25G-10 Cable, twisted	DS-RZ1DD-VW Disk 9.1GB 10k	YS-ASCAA-AA Factory integration
SN-PBXGK-BB ElsaGloria 8MB	DS-RZ1ED-VW Disk 18.2GB 10k	KZPCM-DA 2xUSCSI+ Ethernet
	BN25G-10 Cable, twisted	BN37A-02 SCSI cable, 2m
	SN-PBXGK-BB ElsaGloria 8MB	BA36R-RC Single-bus shelf
		BA36R-RD Split-bus shelf
		DS-RZ1DD-VW Disk 9.1GB 10k
		DS-RZ1ED-VW Disk 18.2GB 10k
		SN-PBXGK-BB ElsaGloria 8MB

#3 SVGA color monitor #4 For 240V use, select keyboard and power cord

15" 3R-VRQV5-24/11	SN-LKQ47 -AE GB -AG G -AM S	BN19C-2E Europe
17" SN-VRQP7-24/23	UNIX, Lin -AB B -AH NL -AN N	BN19A-2E GB
North/South	-AD DK -AI I -AP F	BN19E-2E CH
BN39C-02 2m ext.cable	LK461 -AF FI -AK CH -AS E	BN19K-2E DK
	OVMS	BN19Z-2E I

Internal options

Memory expansion	Additional CPUs, Max 4	Power supplies, CPU Max 3
MS610-BA 256MB	UNIX KN610-AB 500MHz	H7906-A9 CPU power
MS610-CA 512MB	OVMS KN610-AC 500MHz	
MS610-DA 1GB	Linux KN610-AA 500MHz	DS-BA35X-HH 2nd disk pwr
MS610-EA 2GB		

Internal storage

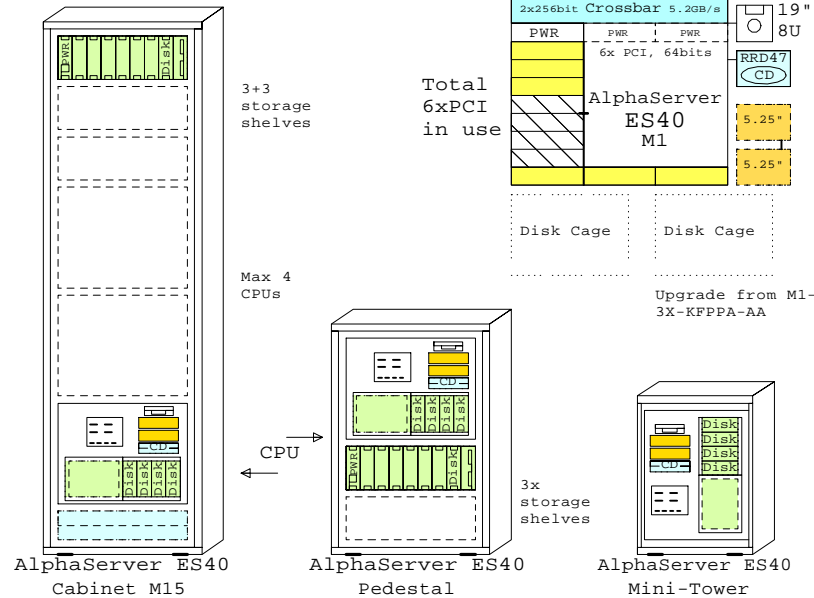
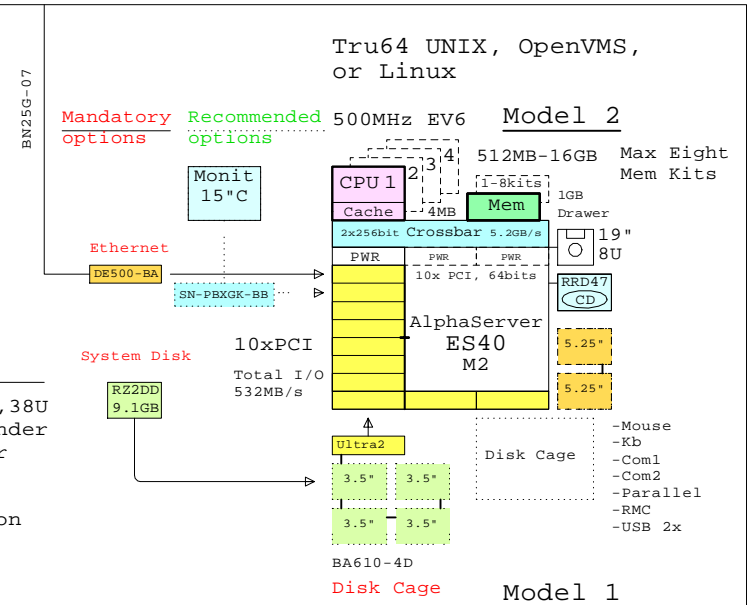
Tape storage	
TLZ10-LB	12/24GB DAT Tape drive
BN46L-01	Multi head SCSI cable
Disk storage	
DS-RZ2DD-VW	9.1GB UltraSCSI disk 10k
DS-RZ2ED-VW	18GB UltraSCSI disk 10k
KZPBA-CA	UltraSCSI SE adapter
BN38C-02	2m SCSI cable, 68HD-VHDCI
KZPCM-DA	Dual UltraSCSI+ Ethernet
BN37A-02	2m SCSI cable, VHDC-VHDC
KZPAC-CB	RAID 3-port, 8MB cache
KZPSC-UB	Cache battery
KZPAC-SB	Dual cable bulkhead
BN37A-02	2m SCSI cable VHDCI-VHDCI

Controllers

DE504-BA	Fast Ethernet, Quad
DEGPA-SA	Gigabit Ethernet
DEFFA-AB	FDDI adapter, SAS MMF
KFPASA-AA	DSSI controller
CIPCA-BA	CI controller
KZPBA-CB	UltraSCSI Diff.adapt.

External options

Tape storage	
DS-TL891-NT	10 cartridge DLT Lib
BN21K-05	5m SCSI cable, FWD
BN19C-2E	Power cord, Europe
KZPASA-BB	SCSI controller, FWD



Software Processor Code: E

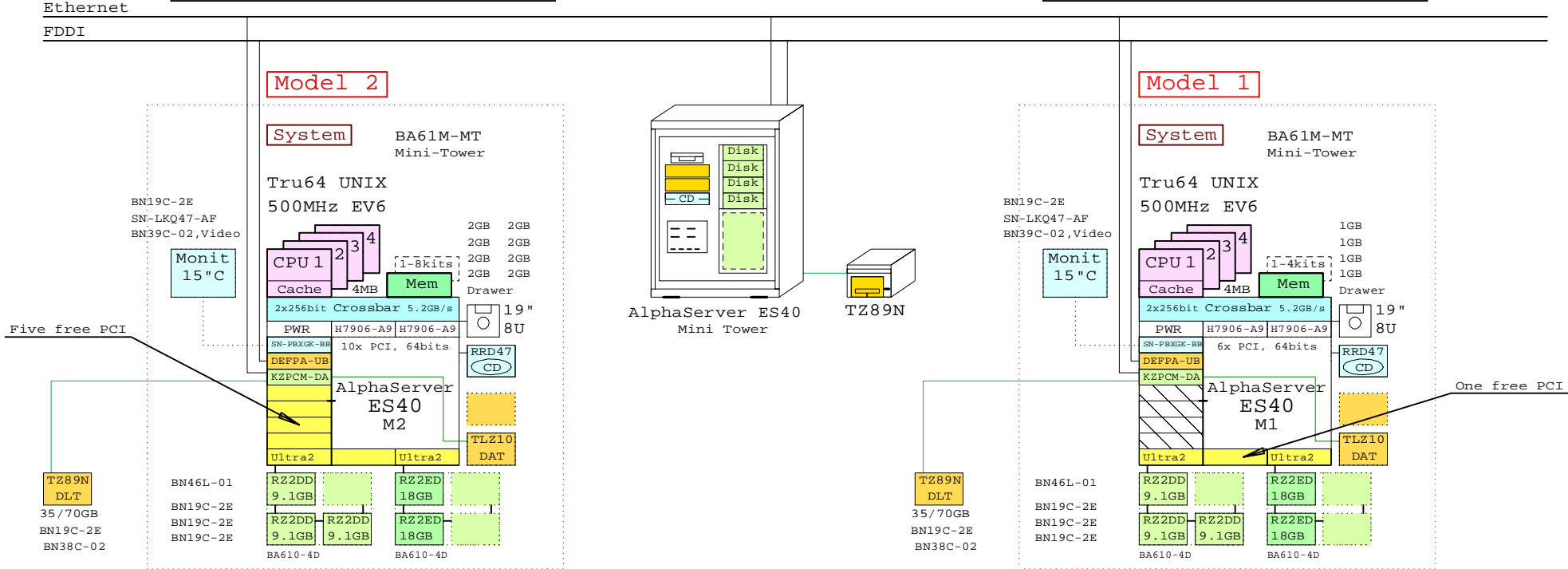
	@500MHz
SPECint95	27.7
SPECfp95	58.7
TPC-C	25903@37\$

COMPAQ	27-Dec-1999	GEAES401
	www.digital.com/golden-eggs	

AlphaServer ES40 6/500 Systems
GOLDEN EGGS Visual Configurations, Helsinki

ES40 Model 2 Mini Tower System

ES40 Model 1 Mini Tower System



Bill of material, Model 2

Part Number	Qty	Description
1	1	BA61M-MT ES40 Mini-Tower Enclosure
1.1	1	BN19C-2E PowerCable 240V, C-Europe
1.2	1	DA-64AAA-EA ES40 6/500 Model 2 2GB UNIX 10PCI DWR
1.2.1	1	3R-VRQV5-24 COMPAQ V55 CLR MON,NH,TCO95
1.2.2	1	BA610-4D ES40 Disk Drive Cage, 4Bay
1.2.2.1	3	DS-RZ2DD-16 ES40 Disk 9.1GB 10k Ultra2 SCSI
1.2.3	1	BA610-4D ES40 Disk Drive Cage, 4Bay
1.2.3.1	2	DS-RZ2ED-16 ES40 Disk 18GB 10k Ultra2 SCSI
1.2.4	3	BN19C-2E PowerCable 240V, C-Europe
1.2.5	1	BN39C-02 1.8 Video Extension Cable ****
1.2.6	1	BN46L-01 Multi head SCSI cable,ES40
1.2.7	1	DEFFA-UB PCI to FDDI SAS,TP-PMD
1.2.8	2	H7906-A9 ES40 Power Syply, 2nd or 3rd
1.2.9	3	KN610-AB ES40 6/500MHz UNIX SMP
1.2.10	1	KZPCM-DA Dual Uscsi with FastEther PCI
1.2.11	7	MS610-EA ES40 2GB Memory Option
1.2.12	1	SN-PBXGK-BB Elsa Gloria Synergy 8M Video Graphics
1.2.13	1	TLZ10-LB 12/24GB 4mm DAT 5.25" HH
1.3	1	SN-LKQ47-AF 102 KEY KYBD, NON-WIN, Finnish
2	1	DS-TZ89N-TA 35/70GB SE DLT-tape TT FWSE
3	1	BN19C-2E PowerCable 240V, C-Europe
4	1	BN38C-02 Ultra Cbl VHDCI - 68HD

Bill of material, Model 1

Part Number	Qty	Description
1	1	BA61M-MT ES40 Mini-Tower Enclosure
1.1	1	BN19C-2E PowerCable 240V, C-Europe
1.2	1	DA-62AAA-DA ES40 6/500 Model 1 1GB UNIX 6PCI DWR
1.2.1	1	3R-VRQV5-24 COMPAQ V55 CLR MON,NH,TCO95
1.2.2	1	BA610-4D ES40 Disk Drive Cage, 4Bay
1.2.2.1	3	DS-RZ2DD-16 ES40 Disk 9.1GB 10k Ultra2 SCSI
1.2.3	1	BA610-4D ES40 Disk Drive Cage, 4Bay
1.2.3.1	2	DS-RZ2ED-16 ES40 Disk 18GB 10k Ultra2 SCSI
1.2.4	3	BN19C-2E PowerCable 240V, C-Europe
1.2.5	1	BN39C-02 1.8 Video Extension Cable ****
1.2.6	1	BN46L-01 Multi head SCSI cable,ES40
1.2.7	1	DEFFA-UB PCI to FDDI SAS,TP-PMD
1.2.8	2	H7906-A9 ES40 Power Syply, 2nd or 3rd
1.2.9	3	KN610-AB ES40 6/500MHz UNIX SMP
1.2.10	1	KZPCM-DA Dual Uscsi with FastEther PCI
1.2.11	3	MS610-DA ES40 1GB Memory Option
1.2.12	1	SN-LKQ47-AF 102 KEY KYBD, NON-WIN, Finnish
1.2.13	1	SN-PBXGK-BB Elsa Gloria Synergy 8M Video Graphics
1.2.14	1	TLZ10-LB 12/24GB 4mm DAT 5.25" HH
2	1	DS-TZ89N-TA 35/70GB SE DLT-tape TT FWSE
3	1	BN19C-2E PowerCable 240V, C-Europe
4	1	BN38C-02 Ultra Cbl VHDCI - 68HD

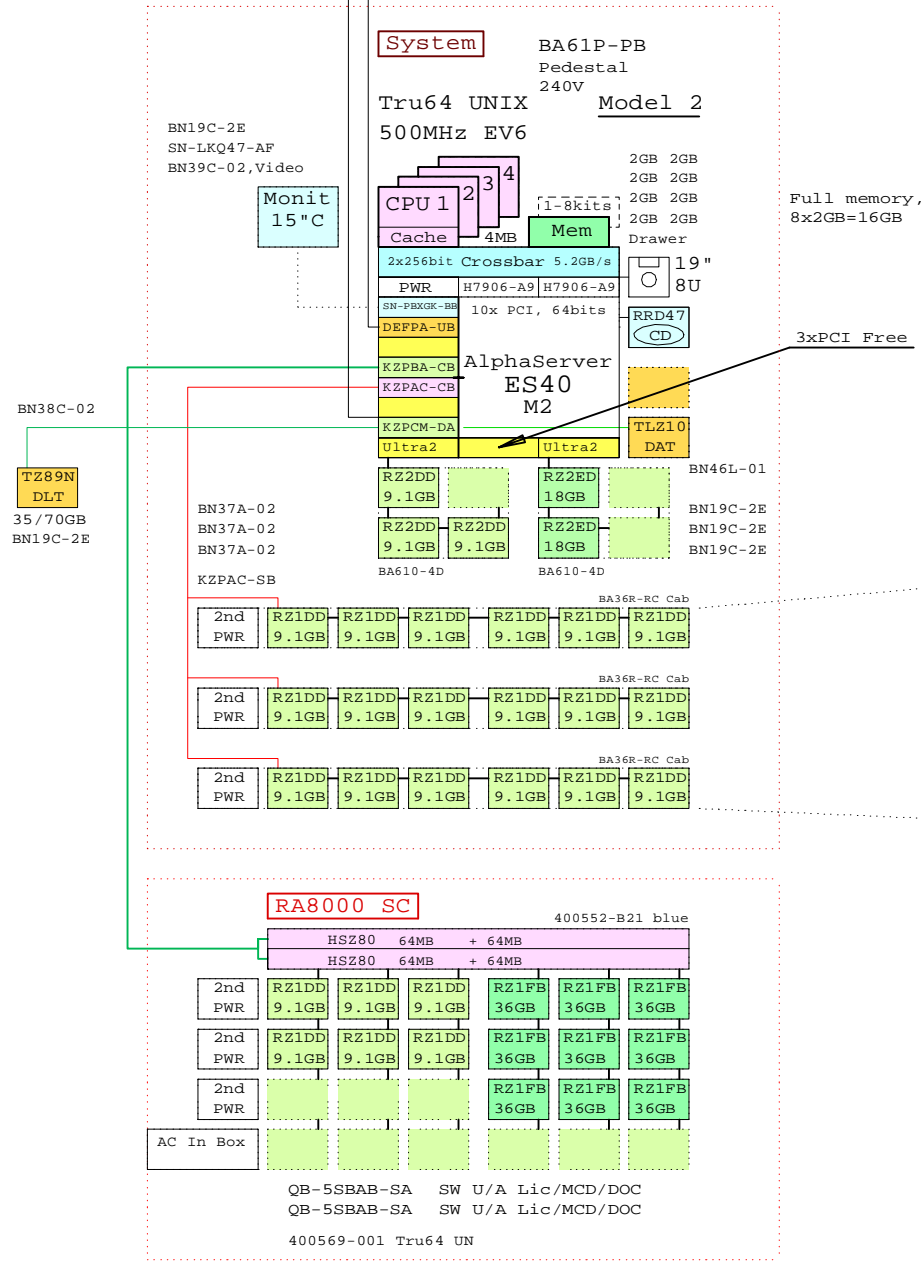
This template is included in the present GOLDEN EGGS Software kit.

ES40 UNIX

COMPAQ	15-Nov-1999	GTAUES401
	www.digital.com/golden-eggs	
AlphaServer ES40 UNIX Mini Tower		
GOLDEN EGGS Visual Configurations, Helsinki		

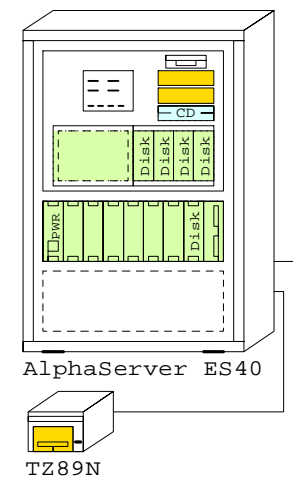
Ethernet
FDDI

ES40 Model 2 Pedestal System



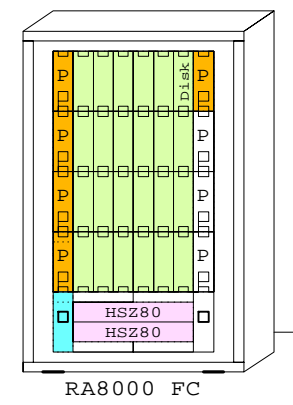
Bill of material for the base Pedestal

Part Number	Qty	Description
1	BA61P-PB	1 ES40 Pedestal Enclosure 240V Europe
1.1	BN19C-2E	4 PowerCable 240V, C-Europe
1.2	BN39C-02	1 1.8 Video Extension Cable ****
1.3	BN46L-01	1 Multi head SCSI cable,ES40
1.4	DA-64AAA-EA	1 ES40 6/500 Model 2 2GB UNIX 10PCI DWR
1.4.1	3R-VRQV5-24	1 COMPAQ V55 CLR MON,NH,TC095
1.4.2	BA610-4D	1 ES40 Disk Drive Cage, 4Bay
1.4.2.1	DS-RZ2DD-16	3 ES40 Disk 9.1GB 10k Ultra2 SCSI
1.4.3	BA610-4D	1 ES40 Disk Drive Cage, 4Bay
1.4.3.1	DS-RZ2ED-16	2 ES40 Disk 18GB 10k Ultra2 SCSI
1.4.4	DEFPA-UB	1 PCI to FDDI SAS,TP-PMD
1.4.5	H7906-A9	2 ES40 Power Syplly, 2nd or 3rd
1.4.6	KN610-AB	3 ES40 6/500MHz UNIX SMP
1.4.7	KZPCM-DA	1 Dual Uscsi with FastEther PCI
1.4.8	MS610-EA	7 ES40 2GB Memory Option
1.4.9	SN-PBXGK-BB	1 Elsa Gloria Synergy 8M Video Graphics
1.4.10	TLZ10-LB	1 12/24GB 4mm DAT 5.25" HH
2	SN-LKQ47-AF	1 102 KEY KYBD,NON-WIN, Finnish
3	DS-TZ89N-TA	1 35/70GB SE DLT-tape TT FWSE
4	BN19C-2E	1 PowerCable 240V, C-Europe
4	BN38C-02	1 Ultra Cbl VHDCI - 68HD



BOM for the RAID disks in pedestal

Part Number	Qty	Description
1	BA36R-RC	1 RH ULTRASCSI SHELF CAB SINGLE
1.1	CK-BA35X-HH	1 180W Stor.Shelf PWR for AS4x00
1.2	DS-RZ1DD-VW	6 9.1GB 10000r UltraSCSI disk
2	BA36R-RC	1 RH ULTRASCSI SHELF CAB SINGLE
2.1	CK-BA35X-HH	1 180W Stor.Shelf PWR for AS4x00
2.2	DS-RZ1DD-VW	6 9.1GB 10000r UltraSCSI disk
3	BA36R-RC	1 RH ULTRASCSI SHELF CAB SINGLE
3.1	CK-BA35X-HH	1 180W Stor.Shelf PWR for AS4x00
3.2	DS-RZ1DD-VW	6 9.1GB 10000r UltraSCSI disk
4	KZPAC-CB	1 3 Chan. SCSI RAID 8MB UltraW
5	BN37A-02	3 Ultra Cbl VHDCI - VHDCI
6	KZPAC-SB	1 Dual bulk head



BOM for the external RA8000 RAID

Part Number	Qty	Description
1	400552-B21	1 RA8000 SC 2x HSZ80 64MB Blue pedestal
1.1	DS-BA35X-HE	1 AC INPUT BOX BA370
1.2	DS-BA35X-HH	3 180W power supply Blu SBB
1.3	DS-HSSIM-AB	2 64MB Cache Upg for HSZ70
1.4	DS-RZ1DD-VW	6 9.1GB 10000r UltraSCSI disk
1.5	DS-RZ1FB-VW	9 36GB 7200 UltraSCSI Disk
2	QB-5SBAB-SA	2 HSZ70 SW UNIX Alp LIC/MCD/DOC
3	400569-001	1 Ultra opt OS Software Tru64 UNIX
4	KZPBA-CB	1 PCI to UltraSCSI Adapter Uwdif

This template is included in the present GOLDEN EGGS Software kit.

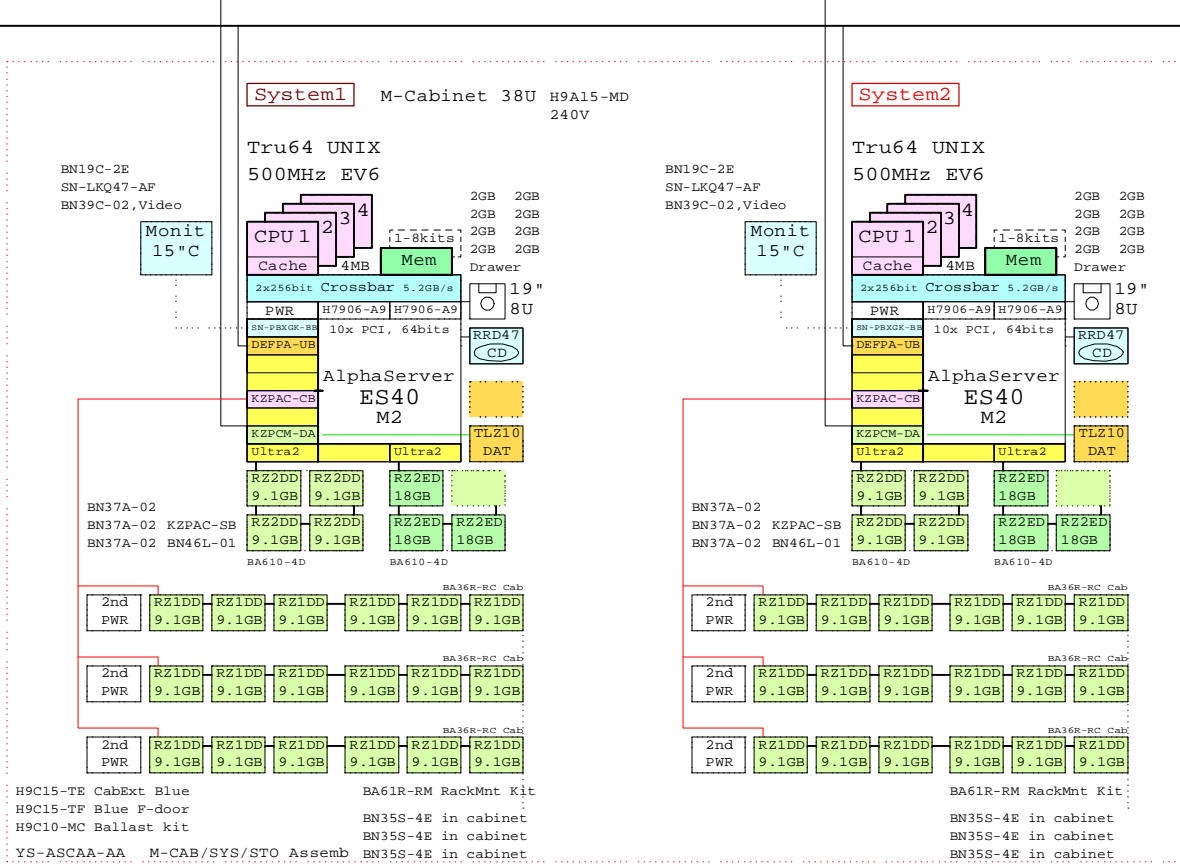
ES40 UNIX

COMPAQ 15-Nov-1999 GTAUES402
www.digital.com/golden-eggs

AlphaServer ES40 UNIX Pedestal
GOLDEN EGGS Visual Configurations, Helsinki

Ethernet
FDDI

ES40 Model 2 Systems in Cabinet M15



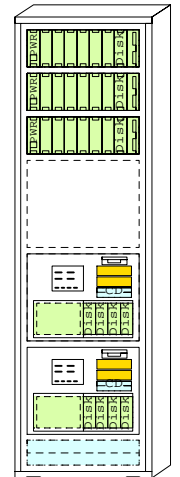
- H9C15-TE CabExt Blue
- H9C15-TF Blue F-door
- H9C10-MC Ballast kit
- YS-ASCAA-AA M-CAB/SYS/STO Assemb
- BA61R-RM RackMnt Kit
- BN35S-4E in cabinet
- BN35S-4E in cabinet
- BN35S-4E in cabinet

Bill of material for Cabinet and System 1

Part Number	Qty	Description
1	H9A15-MD	1 M-Series Cab,H9A15,Blue,240V 38U
1.1	BA36R-RC	1 RH ULTRASCSCI SHELF CAB SINGLE
1.1.1	CK-BA35X-HH	1 180W Stor.Shelf PWR for AS4x00
1.1.2	DS-RZ1DD-VW	6 9.1GB 10000r UltraSCSCI disk
1.2	BA36R-RC	1 RH ULTRASCSCI SHELF CAB SINGLE
1.2.1	CK-BA35X-HH	1 180W Stor.Shelf PWR for AS4x00
1.2.2	DS-RZ1DD-VW	6 9.1GB 10000r UltraSCSCI disk
1.3	BA36R-RC	1 RH ULTRASCSCI SHELF CAB SINGLE
1.3.1	CK-BA35X-HH	1 180W Stor.Shelf PWR for AS4x00
1.3.2	DS-RZ1DD-VW	6 9.1GB 10000r UltraSCSCI disk
1.4	BA61R-RM	1 ES40 Rackmount Kit
1.5	BN19C-2E	1 PowerCable 240V, C-Europe
1.6	BN35S-4E	3 PowerCord C13 to C14, Non US
1.7	BN37A-02	3 Ultra Cbl VHDCl - VHDCl
1.8	BN39C-02	1 1.8 Video Extension Cable ****
1.9	DA-64AAA-EA	1 ES40 6/500 Model 2 2GB UNIX 10PCI DWR
1.9.1	3R-VROV5-24	1 COMPAQ V55 CLR MON,NH,TC095
1.9.2	BA610-4D	1 ES40 Disk Drive Cage, 4Bay
1.9.2.1	DS-RZ2DD-16	4 ES40 Disk 9.1GB 10k Ultra2 SCSI
1.9.3	BA610-4D	1 ES40 Disk Drive Cage, 4Bay
1.9.3.1	DS-RZ2ED-16	3 ES40 Disk 18GB 10k Ultra2 SCSI
1.9.4	BN46L-01	1 Multi head SCSI cable,ES40
1.9.5	DEFFA-UB	1 PCI to FDDI SAS,TP-PMD
1.9.6	H7906-A9	2 ES40 Power Sply, 2nd or 3rd
1.9.7	KN610-AB	3 ES40 6/500MHz UNIX SMP
1.9.8	KZPAC-CB	1 3 Chan. SCSI RAID 8MB UltraW
1.9.9	KZPAC-SB	1 Dual bulk head
1.9.10	KZPCM-DA	1 Dual Uscsi with FastEther PCI
1.9.11	MS610-EA	7 ES40 2GB Memory Option
1.9.12	SN-PBXGK-BB	1 Elsa Gloria Synergy 8M Video Graphics
1.9.13	TLZ10-LB	1 12/24GB 4mm DAT 5.25" HH
1.10	H9C10-MC	1 Ballast Kit for cabinets
1.11	H9C15-TE	1 Rear cab extender for H9A15 Blue
1.12	H9C15-TF	1 FrontDoorKit Blue for H9A15
1.13	SN-LKQ47-AF	1 102 KEY KYBD,NON-WIN, Finnish
1.14	YS-ASCAA-AA	1 M-CAB/SYS/STO Assembly

Bill of material for System 2

Part Number	Qty	Description
1	DA-64AAA-EA	1 ES40 6/500 Model 2 2GB UNIX 10PCI DWR
1.1	3R-VROV5-24	1 COMPAQ V55 CLR MON,NH,TC095
1.2	BA610-4D	1 ES40 Disk Drive Cage, 4Bay
1.2.1	DS-RZ2DD-16	4 ES40 Disk 9.1GB 10k Ultra2 SCSI
1.3	BA610-4D	1 ES40 Disk Drive Cage, 4Bay
1.3.1	DS-RZ2ED-16	3 ES40 Disk 18GB 10k Ultra2 SCSI
1.4	BN46L-01	1 Multi head SCSI cable,ES40
1.5	DEFFA-UB	1 PCI to FDDI SAS,TP-PMD
1.6	H7906-A9	2 ES40 Power Sply, 2nd or 3rd
1.7	KN610-AB	3 ES40 6/500MHz UNIX SMP
1.8	KZPAC-CB	1 3 Chan. SCSI RAID 8MB UltraW
1.9	KZPAC-SB	1 Dual bulk head
1.10	KZPCM-DA	1 Dual Uscsi with FastEther PCI
1.11	MS610-EA	7 ES40 2GB Memory Option
1.12	SN-PBXGK-BB	1 Elsa Gloria Synergy 8M Video Graphics
1.13	TLZ10-LB	1 12/24GB 4mm DAT 5.25" HH
2	BA36R-RC	1 RH ULTRASCSCI SHELF CAB SINGLE
2.1	CK-BA35X-HH	1 180W Stor.Shelf PWR for AS4x00
2.2	DS-RZ1DD-VW	6 9.1GB 10000r UltraSCSCI disk
3	BA36R-RC	1 RH ULTRASCSCI SHELF CAB SINGLE
3.1	CK-BA35X-HH	1 180W Stor.Shelf PWR for AS4x00
3.2	DS-RZ1DD-VW	6 9.1GB 10000r UltraSCSCI disk
4	BA36R-RC	1 RH ULTRASCSCI SHELF CAB SINGLE
4.1	CK-BA35X-HH	1 180W Stor.Shelf PWR for AS4x00
4.2	DS-RZ1DD-VW	6 9.1GB 10000r UltraSCSCI disk
5	BA61R-RM	1 ES40 Rackmount Kit
6	BN35S-4E	3 PowerCord C13 to C14, Non US
7	BN39C-02	1 1.8 Video Extension Cable ****
8	SN-LKQ47-AF	1 102 KEY KYBD,NON-WIN, Finnish
9	BN37A-02	3 Ultra Cbl VHDCl - VHDCl
10	BN19C-2E	1 PowerCable 240V, C-Europe



This template is included in the present GOLDEN EGGS Software kit.

AlphaServer ES40

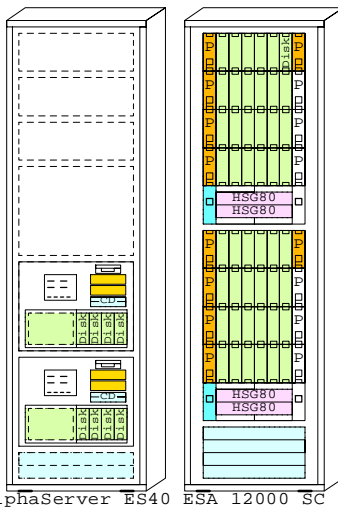
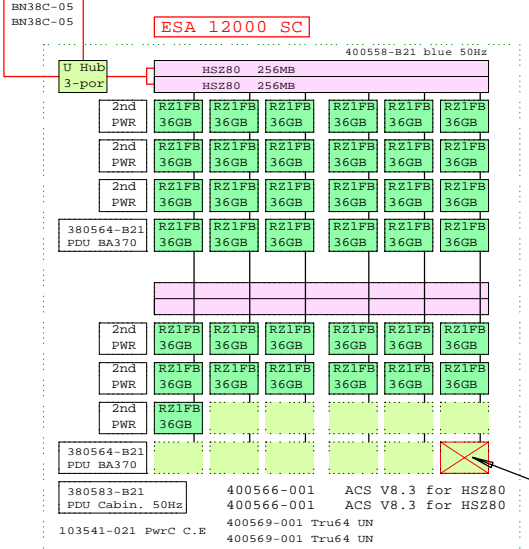
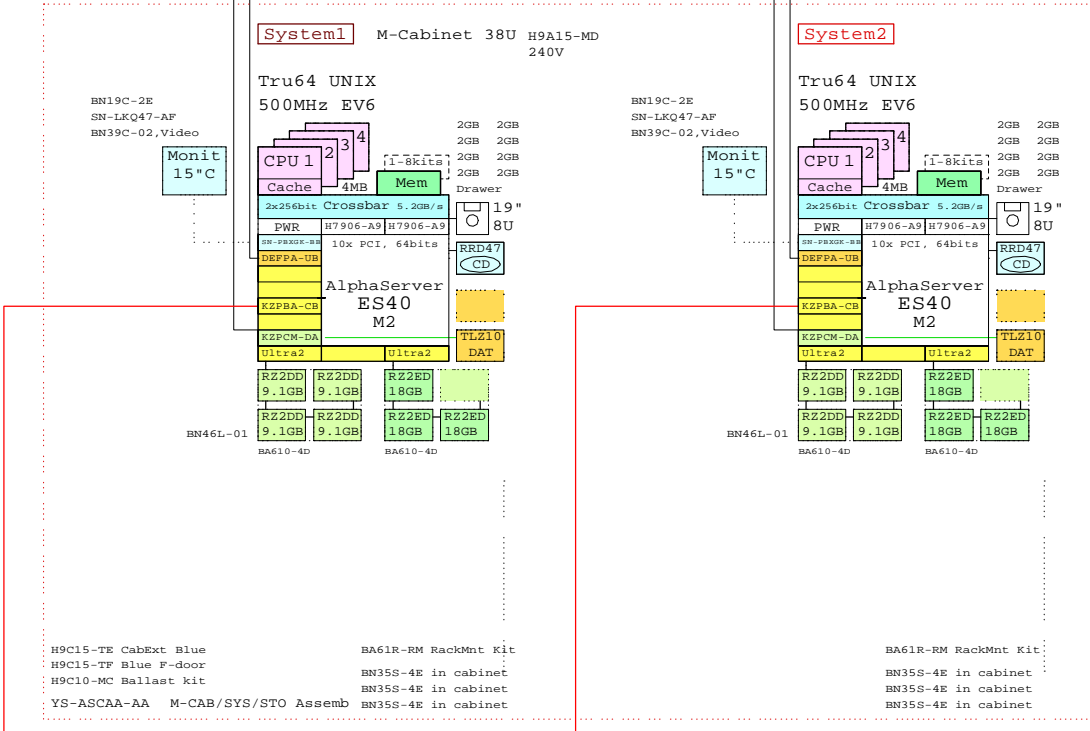
ES40 UNIX

COMPAQ 15-Nov-1999 GTAUES403
www.digital.com/golden-eggs

AlphaServer ES40 UNIX Cabinet M15
GOLDEN EGGS Visual Configurations, Helsinki

ES40 Model 2 Cluster with external storage

Ethernet
FDDI



Bill of material for two cabinet Cluster

Part Number	Qty	Description
1	H9A15-MD	1 M-Series Cab,H9A15,Blue,240V 38U
1.1	BA61R-RM	2 ES40 Rackmount Kit
1.2	BN19C-2E	2 PowerCable 240V, C-Europe
1.3	BN35S-4E	6 PowerCord C13 to C14, Non US
1.4	BN39C-02	2 1.8 Video Extension Cable ****
1.5	DA-64AAA-EA	1 ES40 6/500 Model 2 2GB UNIX 10PCI DWR
1.5.1	3R-V8QV5-24	1 COMPAQ V55 CLR MON,NH,TC095
1.5.2	BA610-4D	1 ES40 Disk Drive Cage, 4Bay
1.5.2.1	DS-RZ2DD-16	4 ES40 Disk 9.1GB 10k Ultra2 SCSI
1.5.3	BA610-4D	1 ES40 Disk Drive Cage, 4Bay
1.5.3.1	DS-RZ2ED-16	3 ES40 Disk 18GB 10k Ultra2 SCSI
1.5.4	BN46L-01	1 Multi head SCSI cable,ES40
1.5.5	DEFFPA-UB	1 PCI to FDDI SAS,TP-PMD
1.5.6	H7906-A9	2 ES40 Power Syply, 2nd or 3rd
1.5.7	KN610-AB	3 ES40 6/500MHz UNIX SMP
1.5.8	KZPBA-CB	1 PCI to UltraSCSI Adapter Uwdif
1.5.9	KZPCM-DA	1 Dual Uscsi with FastEther PCI
1.5.10	MS610-EA	7 ES40 2GB Memory Option
1.5.11	SN-PBXGK-BB	1 Elsa Gloria Synergy 8M Video Graphics
1.5.12	TLZ10-LB	1 12/24GB 4mm DAT 5.25" HH
1.6	DA-64AAA-EA	1 ES40 6/500 Model 2 2GB UNIX 10PCI DWR
1.6.1	3R-V8QV5-24	1 COMPAQ V55 CLR MON,NH,TC095
1.6.2	BA610-4D	1 ES40 Disk Drive Cage, 4Bay
1.6.2.1	DS-RZ2DD-16	4 ES40 Disk 9.1GB 10k Ultra2 SCSI
1.6.3	BA610-4D	1 ES40 Disk Drive Cage, 4Bay
1.6.3.1	DS-RZ2ED-16	3 ES40 Disk 18GB 10k Ultra2 SCSI
1.6.4	BN46L-01	1 Multi head SCSI cable,ES40
1.6.5	DEFFPA-UB	1 PCI to FDDI SAS,TP-PMD
1.6.6	H7906-A9	2 ES40 Power Syply, 2nd or 3rd
1.6.7	KN610-AB	3 ES40 6/500MHz UNIX SMP
1.6.8	KZPBA-CB	1 PCI to UltraSCSI Adapter Uwdif
1.6.9	KZPCM-DA	1 Dual Uscsi with FastEther PCI
1.6.10	MS610-EA	7 ES40 2GB Memory Option
1.6.11	SN-PBXGK-BB	1 Elsa Gloria Synergy 8M Video Graphics
1.6.12	TLZ10-LB	1 12/24GB 4mm DAT 5.25" HH
1.7	H9C10-MC	1 Ballast Kit for cabinets
1.8	H9C15-TE	1 Rear cab extender for H9A15 Blue
1.9	H9C15-TF	1 FrontDoorKit Blue for H9A15
1.10	SN-LKQ47-AF	2 102 KEY KYBD, NON-WIN, Finnish
1.11	YS-ASCAA-AA	1 M-CAB/SYS/STO Assembly
2	400558-B21	1 ESAL200 SC 50HZ 2x24 2xCnt blue
2.1	103541-021	1 Power Cord 15-20A C.Europe
2.2	380564-B21	2 Power Distribution Unit RA8k/7k
2.3	380565-B21	6 Power Syply 180W Hot Plug SBB
2.4	380583-B21	1 ESAL2000 Cabinet PDU 50Hz
2.5	400566-001	2 HSZ80 Controller Software ACS V8.3
2.6	400569-001	2 Ultra opt OS Software Tru64 UNIX
2.7	DS-DWZZH-03	1 Uscsi Act hub 0 SE:3/Dif 3.5" SBB
2.8	DS-RZ1FB-VW	37 36GB 7200 UltraSCSI Disk
3	BN38C-05	2 Ultra Cbl VHDCI - 68HD

This template is included in the present GOLDEN EGGS Software kit.

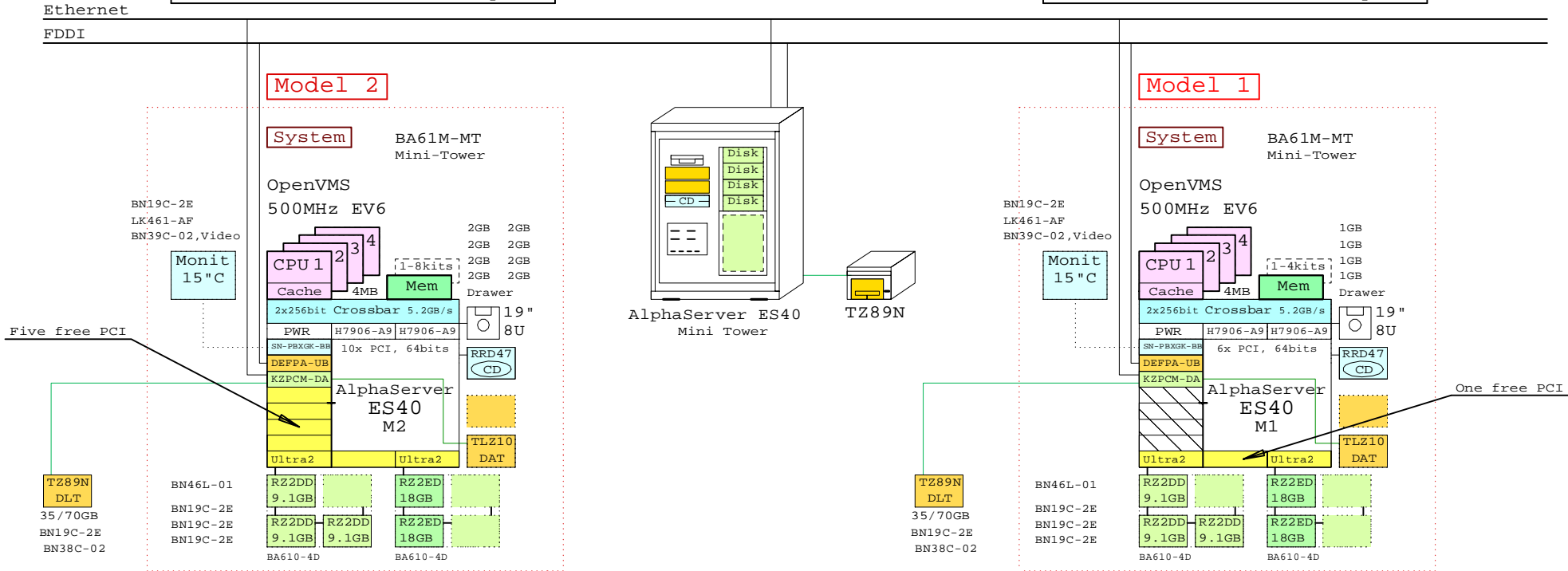
ES40 UNIX

COMPAQ 15-Nov-1999 GTAUES404
www.digital.com/golden-eggs

AlphaServer ES40 UNIX Cluster
GOLDEN EGGS Visual Configurations, Helsinki

ES40 Model 2 Mini Tower System

ES40 Model 1 Mini Tower System



Bill of material, Model 2

Part Number	Qty	Description
1	1	BA61M-MT ES40 Mini-Tower Enclosure
1.1	1	BN19C-2E PowerCable 240V, C-Europe
1.2	1	DY-64AAA-EA ES40 6/500 Model 2 2GB OVMS 10PCI DWR
1.2.1	1	3R-VROV5-24 COMPAQ V55 CLR MON,NH,TC095
1.2.2	1	BA610-4D ES40 Disk Drive Cage, 4Bay
1.2.2.1	3	DS-RZ2DD-16 ES40 Disk 9.1GB 10k Ultra2 SCSI
1.2.3	1	BA610-4D ES40 Disk Drive Cage, 4Bay
1.2.3.1	2	DS-RZ2ED-16 ES40 Disk 18GB 10k Ultra2 SCSI
1.2.4	3	BN19C-2E PowerCable 240V, C-Europe
1.2.5	1	BN39C-02 1.8 Video Extension Cable ****
1.2.6	1	BN46L-01 Multi head SCSI cable,ES40
1.2.7	1	DEPPA-UB PCI to FDDI SAS,TP-PMD
1.2.8	2	H7906-A9 ES40 Power Syply, 2nd or 3rd
1.2.9	3	KN610-AC ES40 6/500MHz OVMS SMP
1.2.10	1	KZPCM-DA Dual Uscsi with FastEther PCI
1.2.11	7	MS610-EA ES40 2GB Memory Option
1.2.12	1	SN-PBXGK-BB Elsa Gloria Synergy 8M Video Graphics
1.2.13	1	TLZ10-LB 12/24GB 4mm DAT 5.25" HH
1.3	1	LK461-AF VMS STYLE KEYBOARD, Fin/Swed
2	1	DS-TZ89N-TA 35/70GB SE DLT-tape TT FWSE
3	1	BN19C-2E PowerCable 240V, C-Europe
4	1	BN38C-02 Ultra Cbl VHDCI - 68HD

Bill of material, Model 1

Part Number	Qty	Description
1	1	BA61M-MT ES40 Mini-Tower Enclosure
1.1	1	BN19C-2E PowerCable 240V, C-Europe
1.2	1	DY-62AAA-DA ES40 6/500 Model 1 1GB OVMS 6PCI DWR
1.2.1	1	3R-VROV5-24 COMPAQ V55 CLR MON,NH,TC095
1.2.2	1	BA610-4D ES40 Disk Drive Cage, 4Bay
1.2.2.1	3	DS-RZ2DD-16 ES40 Disk 9.1GB 10k Ultra2 SCSI
1.2.3	1	BA610-4D ES40 Disk Drive Cage, 4Bay
1.2.3.1	2	DS-RZ2ED-16 ES40 Disk 18GB 10k Ultra2 SCSI
1.2.4	3	BN19C-2E PowerCable 240V, C-Europe
1.2.5	1	BN39C-02 1.8 Video Extension Cable ****
1.2.6	1	BN46L-01 Multi head SCSI cable,ES40
1.2.7	1	DEPPA-UB PCI to FDDI SAS,TP-PMD
1.2.8	2	H7906-A9 ES40 Power Syply, 2nd or 3rd
1.2.9	3	KN610-AC ES40 6/500MHz OVMS SMP
1.2.10	1	KZPCM-DA Dual Uscsi with FastEther PCI
1.2.11	3	MS610-DA ES40 1GB Memory Option
1.2.12	1	SN-PBXGK-BB Elsa Gloria Synergy 8M Video Graphics
1.2.13	1	TLZ10-LB 12/24GB 4mm DAT 5.25" HH
1.3	1	LK461-AF VMS STYLE KEYBOARD, Fin/Swed
2	1	DS-TZ89N-TA 35/70GB SE DLT-tape TT FWSE
3	1	BN19C-2E PowerCable 240V, C-Europe
4	1	BN38C-02 Ultra Cbl VHDCI - 68HD

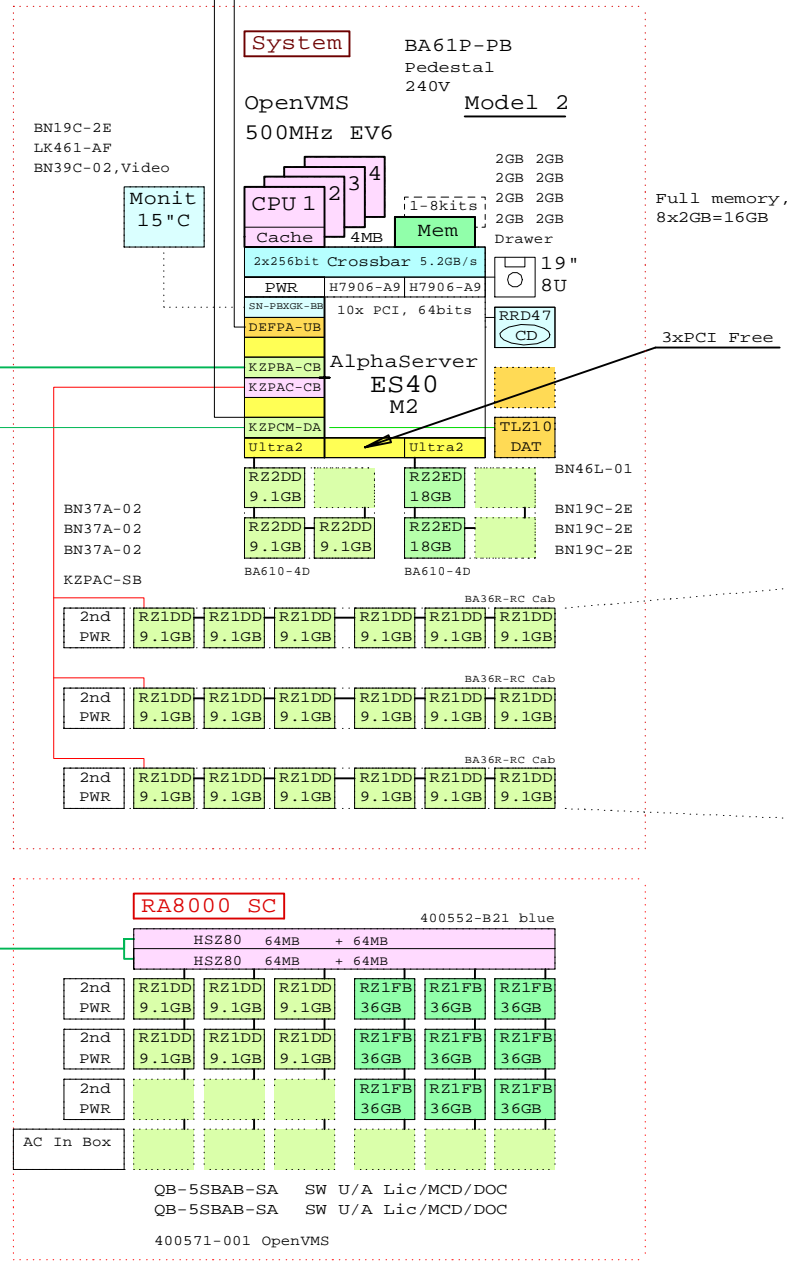
This template is included in the present GOLDEN EGGS Software kit.

ES40 OVMS

COMPAQ	15-Nov-1999	GTAVES401
	www.digital.com/golden-eggs	
AlphaServer ES40 OpenVMS Tower		
GOLDEN EGGS Visual Configurations, Helsinki		

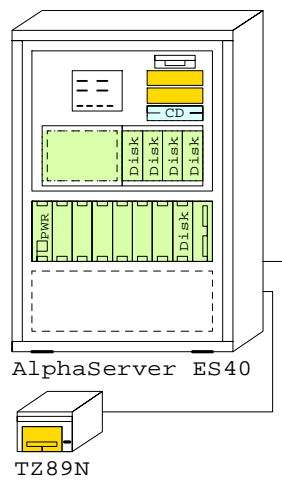
Ethernet
FDDI

ES40 Model 2 Pedestal System



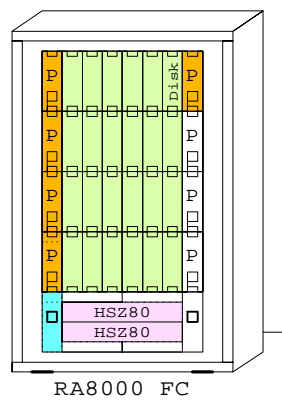
Bill of material for the base Pedestal

Part Number	Qty	Description
1	1	BA61P-PB ES40 Pedestal Enclosure 240V Europe
1.1	4	BN19C-2E PowerCable 240V, C-Europe
1.2	1	BN39C-02 1.8 Video Extension Cable ****
1.3	1	BN46L-01 Multi head SCSI cable,ES40
1.4	1	DY-64AAA-EA ES40 6/500 Model 2 2GB OVMS 10PCI DWR
1.4.1	1	3R-VRQV5-24 COMPAQ V55 CLR MON,NH,TCQ95
1.4.2	1	BA610-4D ES40 Disk Drive Cage, 4Bay
1.4.2.1	3	DS-RZ2DD-16 ES40 Disk 9.1GB 10k Ultra2 SCSI
1.4.3	1	BA610-4D ES40 Disk Drive Cage, 4Bay
1.4.3.1	2	DS-RZ2ED-16 ES40 Disk 18GB 10k Ultra2 SCSI
1.4.4	1	DEFPA-UB PCI to FDDI SAS,TP-PMD
1.4.5	2	H7906-A9 ES40 Power Syplly, 2nd or 3rd
1.4.6	3	KN610-AC ES40 6/500MHz OVMS SMP
1.4.7	1	KZPBA-CB PCI to UltraSCSI Adapter Uwdif
1.4.8	1	KZPCM-DA Dual Uscsi with FastEther PCI
1.4.9	7	MS610-EA ES40 2GB Memory Option
1.4.10	1	SN-PBXGK-BB Elsa Gloria Synergy 8M Video Graphics
1.4.11	1	TLZ10-LB 112/24GB 4mm DAT 5.25" HH
1.5	1	LK461-AF VMS STYLE KEYBOARD, Fin/Swed
2	1	DS-TZ89N-TA 1 35/70GB SE DLT-tape TT FWSE
3	1	BN19C-2E PowerCable 240V, C-Europe
4	1	BN38C-02 Ultra Cbl VHDCI - 68HD



BOM for the RAID disks in pedestal

Part Number	Qty	Description
1	1	BA36R-RC RH ULTRASCSCI SHELF CAB SINGLE
1.1	1	CK-BA35X-HH 180W Stor.Shelf PWR for AS4x00
1.2	6	DS-RZ1DD-VW 6 9.1GB 10000r UltraSCSI disk
2	1	BA36R-RC RH ULTRASCSCI SHELF CAB SINGLE
2.1	1	CK-BA35X-HH 180W Stor.Shelf PWR for AS4x00
2.2	6	DS-RZ1DD-VW 6 9.1GB 10000r UltraSCSI disk
3	1	BA36R-RC RH ULTRASCSCI SHELF CAB SINGLE
3.1	1	CK-BA35X-HH 180W Stor.Shelf PWR for AS4x00
3.2	6	DS-RZ1DD-VW 6 9.1GB 10000r UltraSCSI disk
4	1	KZPAC-CB 3 Chan. SCSI RAID 8MB UltraW
5	3	BN37A-02 Ultra Cbl VHDCI - VHDCI
6	1	KZPAC-SB Dual bulk head



BOM for the external RA8000 RAID

Part Number	Qty	Description
1	1	400552-B21 RA8000 SC 2x HSZ80 64MB Blue pedestal
1.1	1	DS-BA35X-HE AC INPUT BOX BA370
1.2	3	DS-BA35X-HH 180W power supply Blu SBB
1.3	2	DS-HSSIM-AB 64MB Cache Upg for HSZ70
1.4	6	DS-RZ1DD-VW 6 9.1GB 10000r UltraSCSI disk
1.5	9	DS-RZ1FB-VW 9 36GB 7200 UltraSCSI Disk
2	2	QB-5SBAB-SA HSZ70 SW UNIX Alp LIC/MCD/DOC
3	1	400571-001 Ultra opt OS Software OpenVMS
4	1	KZPBA-CB PCI to UltraSCSI Adapter Uwdif

This template is included in the present GOLDEN EGGS Software kit.

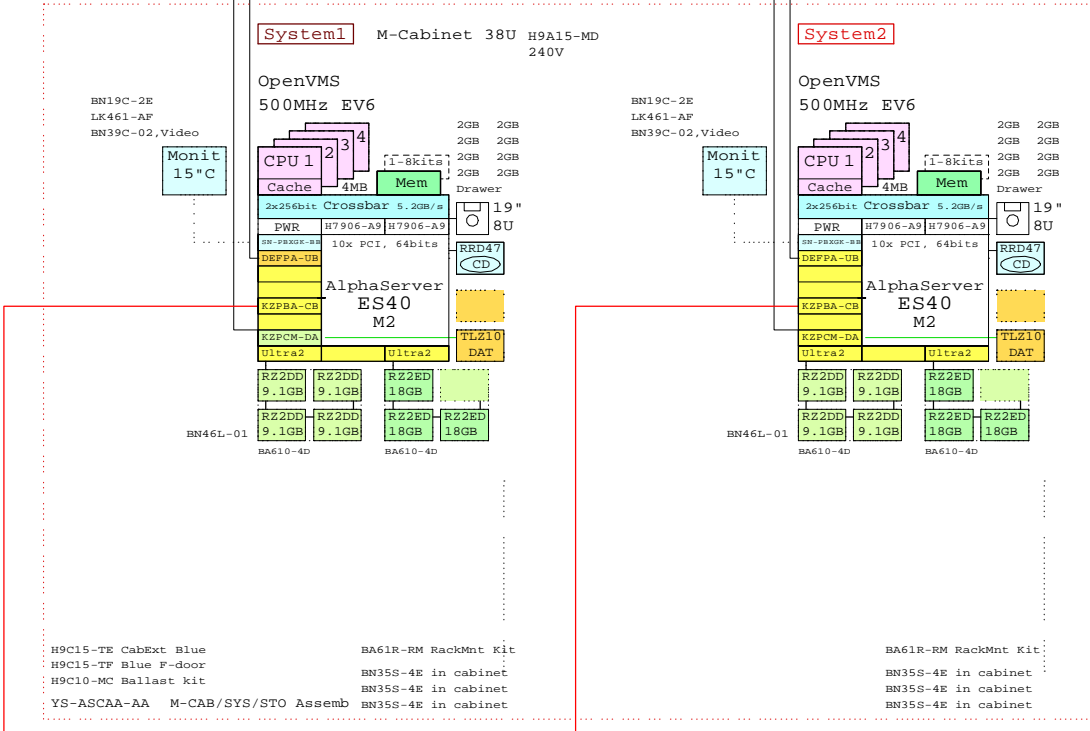
ES40 OVMS

COMPAQ 15-Nov-1999 GTAVES402
www.digital.com/golden-eggs

AlphaServer ES40 OpenVMS Pedestal
GOLDEN EGGS Visual Configurations, Helsinki

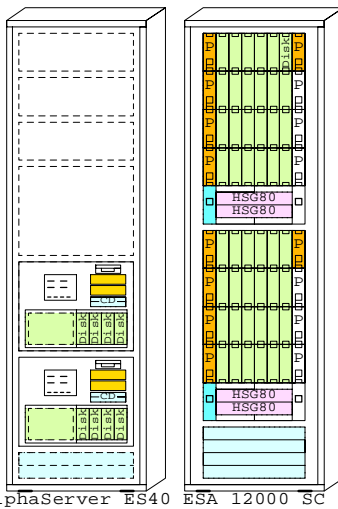
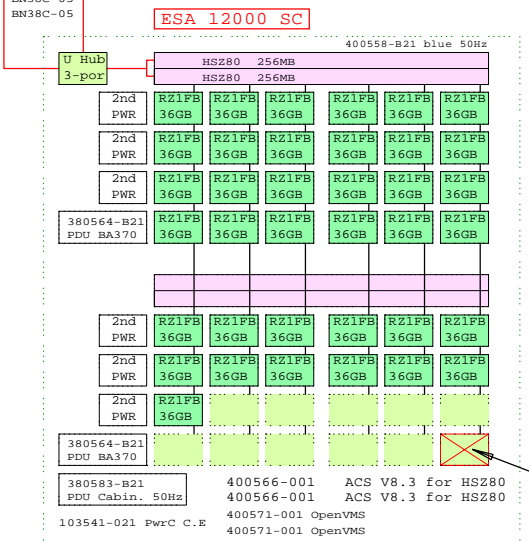
ES40 Model 2 Cluster with external storage

Ethernet
FDDI



Bill of material for two cabinet Cluster

Part Number	Qty	Description
1	H9A15-MD	1 M-Series Cab,H9A15,Blue,240V 38U
1.1	BA61R-RM	2 ES40 Rackmount Kit
1.2	BN19C-2E	2 PowerCable 240V, C-Europe
1.3	BN35S-4E	6 PowerCord C13 to C14, Non US
1.4	BN39C-02	2 1.8 Video Extension Cable ****
1.5	DY-64AAA-EA	1 ES40 6/500 Model 2 2GB OVMS 10PCI DWR
1.5.1	3R-VRQV5-24	1 COMPAQ V55 CLR MON,NH,TCO95
1.5.2	BA610-4D	1 ES40 Disk Drive Cage, 4Bay
1.5.2.1	DS-RZ2DD-16	4 ES40 Disk 9.1GB 10k Ultra2 SCSI
1.5.3	BA610-4D	1 ES40 Disk Drive Cage, 4Bay
1.5.3.1	DS-RZ2ED-16	3 ES40 Disk 18GB 10k Ultra2 SCSI
1.5.4	BN46L-01	1 Multi head SCSI cable,ES40
1.5.5	DEFFPA-UB	1 PCI to FDDI SAS,TP-FMD
1.5.6	H7906-A9	2 ES40 Power Sply, 2nd or 3rd
1.5.7	KN610-AC	3 ES40 6/500MHz OVMS SMP
1.5.8	KZPBA-CB	1 PCI to UltraSCSI Adapter Uwdif
1.5.9	KZPCM-DA	1 Dual Uscci with FastEther PCI
1.5.10	MS610-EA	7 ES40 2GB Memory Option
1.5.11	SN-PRXGK-BB	1 Elsa Gloria Synergy 8M Video Graphics
1.5.12	TLZ10-LB	1 12/24GB 4mm DAT 5.25" HH
1.6	DY-64AAA-EA	1 ES40 6/500 Model 2 2GB OVMS 10PCI DWR
1.6.1	3R-VRQV5-24	1 COMPAQ V55 CLR MON,NH,TCO95
1.6.2	BA610-4D	1 ES40 Disk Drive Cage, 4Bay
1.6.2.1	DS-RZ2DD-16	4 ES40 Disk 9.1GB 10k Ultra2 SCSI
1.6.3	BA610-4D	1 ES40 Disk Drive Cage, 4Bay
1.6.3.1	DS-RZ2ED-16	3 ES40 Disk 18GB 10k Ultra2 SCSI
1.6.4	BN46L-01	1 Multi head SCSI cable,ES40
1.6.5	DEFFPA-UB	1 PCI to FDDI SAS,TP-FMD
1.6.6	H7906-A9	2 ES40 Power Sply, 2nd or 3rd
1.6.7	KN610-AC	3 ES40 6/500MHz OVMS SMP
1.6.8	KZPBA-CB	1 PCI to UltraSCSI Adapter Uwdif
1.6.9	KZPCM-DA	1 Dual Uscci with FastEther PCI
1.6.10	MS610-EA	7 ES40 2GB Memory Option
1.6.11	SN-PRXGK-BB	1 Elsa Gloria Synergy 8M Video Graphics
1.6.12	TLZ10-LB	1 12/24GB 4mm DAT 5.25" HH
1.7	H9C10-MC	1 Ballast Kit for cabinets
1.8	H9C15-TE	1 Rear cab extender for H9A15 Blue
1.9	H9C15-TF	1 FrontDoorKit Blue for H9A15
1.10	LK461-AF	2 VMS STYLE KEYBOARD, Fin/Swed
1.11	YS-ASCAA-AA	1 M-CAB/SYS/STO Assembly
2	400558-B21	1 ESA1200 SC 50Hz 2x24 2xCnt blue
2.1	103541-021	1 Power Cord 13-20A C.Europe
2.2	380564-B21	2 Power Distribution Unit RA8k/7k
2.3	380565-B21	6 Power Sply 180W Hot Plug SBB
2.4	380583-B21	1 ESA1200 Cabinet PDU 50Hz
2.5	400566-001	2 HSZ80 Controller Software ACS V8.3
2.6	400571-001	2 Ultra opt OS Software OpenVMS
2.7	DS-DWZZH-03	1 Uscci Act hub 0 SE:3/Dif 3.5" SBB
2.8	DS-RZ1FB-VW	37 36GB 7200 UltraSCSI Disk
3	BN38C-05	2 Ultra Cbl VHDCI - 68HD



This template is included in the present GOLDEN EGGS Software kit.

ES40 OVMS

COMPAQ 15-Nov-1999 GTAVES404
www.digital.com/golden-eggs

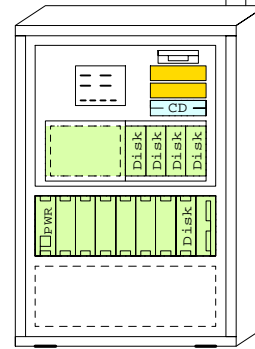
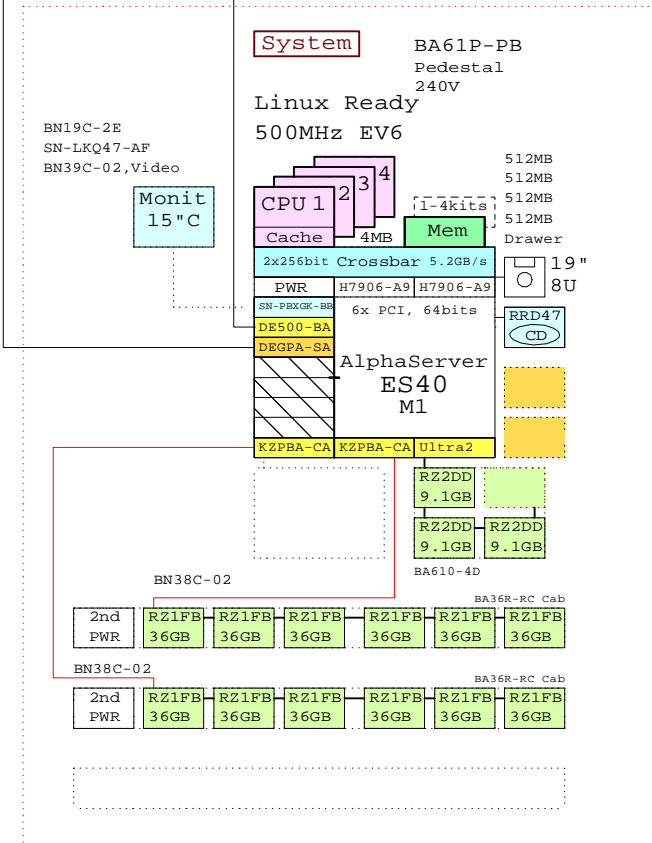
AlphaServer ES40 OpenVMS Cluster
GOLDEN EGGS Visual Configurations, Helsinki

Ethernet

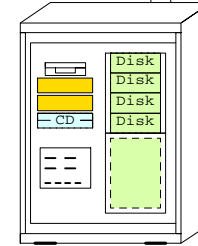
ES40 Model 1 Pedestal System

ES40 Model 1 Mini Tower System

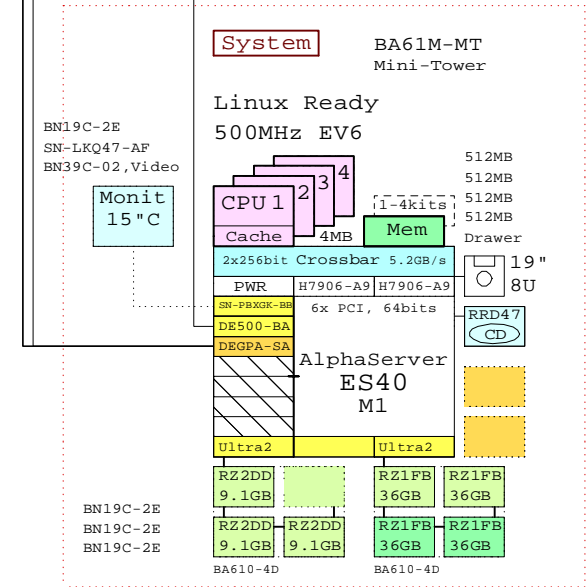
Gigabit Ethernet



AlphaServer ES40 Pedestal



AlphaServer ES40 Mini Tower



Part Number	Qty	Description
1	1	BA61P-PB 1 ES40 Pedestal Enclosure 240V Europe
1.1	1	BA36R-RC 1 RH ULTRASCSCI SHELF CAB SINGLE
1.1.1	1	CK-BA35X-HH 1 180W Stor.Shelf PWR for AS4x00
1.1.2	6	DS-RZ1FB-VW 6 36GB 7200 UltraSCSI Disk
1.2	1	BA36R-RC 1 RH ULTRASCSCI SHELF CAB SINGLE
1.2.1	1	CK-BA35X-HH 1 180W Stor.Shelf PWR for AS4x00
1.2.2	6	DS-RZ1FB-VW 6 36GB 7200 UltraSCSI Disk
1.3	1	BN19C-2E 1 PowerCable 240V, C-Europe
1.4	2	BN38C-02 2 Ultra Cbl VHDCl - 68HD
1.5	1	BN39C-02 1 1.8 Video Extension Cable ****
1.6	1	DJ-62AAA-CA 1 ES40 6/500 Model 1 512MB LinuxReady 6PCI
1.6.1	1	3R-VRQV5-24 1 COMPAQ V55 CLR MON,NH,TC095
1.6.2	1	BA610-4D 1 ES40 Disk Drive Cage, 4Bay
1.6.2.1	3	DS-RZ2DD-16 3 ES40 Disk 9.1GB 10k Ultra2 SCSI
1.6.3	1	DE500-BA 1 PCI/FAST Ethernet, CAT 5 UTP
1.6.4	1	DEGPA-SA 1 PCI to GigaBitEthernet SX Adap
1.6.5	2	H7906-A9 2 ES40 Power Syply, 2nd or 3rd
1.6.6	3	KN610-AA 3 ES40 6/500MHz SMP
1.6.7	2	KZPBA-CA 2 PCI to UltraSCSI Adapter UWSE
1.6.8	3	MS610-CA 3 ES40 512MB Memory Option
1.6.9	1	SN-PBXGK-BB 1 Elsa Gloria Synergy 8M Video Graphics
1.7	1	SN-LKQ47-AF 1 102 KEY KYBD, NON-WIN, Finnish

Part Number	Qty	Description
1	1	BA61M-MT 1 ES40 Mini-Tower Enclosure
1.1	1	BN19C-2E 1 PowerCable 240V, C-Europe
1.2	1	DJ-62AAA-CA 1 ES40 6/500 Model 1 512MB LinuxReady 6PCI
1.2.1	1	3R-VRQV5-24 1 COMPAQ V55 CLR MON,NH,TC095
1.2.2	1	BA610-4D 1 ES40 Disk Drive Cage, 4Bay
1.2.2.1	3	DS-RZ2DD-16 3 ES40 Disk 9.1GB 10k Ultra2 SCSI
1.2.3	1	BA610-4D 1 ES40 Disk Drive Cage, 4Bay
1.2.3.1	4	DS-RZ1FB-VW 4 36GB 7200 UltraSCSI Disk
1.2.4	3	BN19C-2E 3 PowerCable 240V, C-Europe
1.2.5	1	BN39C-02 1 1.8 Video Extension Cable ****
1.2.6	1	DE500-BA 1 PCI/FAST Ethernet, CAT 5 UTP
1.2.7	1	DEGPA-SA 1 PCI to GigaBitEthernet SX Adap
1.2.8	2	H7906-A9 2 ES40 Power Syply, 2nd or 3rd
1.2.9	3	KN610-AA 3 ES40 6/500MHz SMP
1.2.10	3	MS610-CA 3 ES40 512MB Memory Option
1.2.11	1	SN-PBXGK-BB 1 Elsa Gloria Synergy 8M Video Graphics
1.3	1	SN-LKQ47-AF 1 102 KEY KYBD, NON-WIN, Finnish

This template is included in the present GOLDEN EGGS Software kit.

ES40 Linux

COMPAQ	11-Nov-1999	GTALES401
	www.digital.com/golden-eggs	
AlphaServer ES40 Linux Systems		
GOLDEN EGGS Visual Configurations, Helsinki		

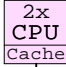
AlphaServer GS60E 6/700 Systems

Expanded Base Servers


DA-484GE-AA/AB	Tru64 UNIX	1GB
DA-484GG-AA/AB	Tru64 UNIX	4GB
DY-484GE-AA/AB	OpenVMS	1GB
DY-484GG-AA/AB	OpenVMS	4GB

120/240V

Additional Dual CPU modules

3X-764P2-AX	UNIX 2-cpu	
3X-764P1-AX	OVMS 2-cpu	

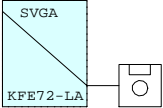
Memory modules

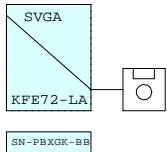
MS7CC-EA	1GB	
MS7CC-FA	2GB	
MS7CC-GA	4GB	

Disk drives

DS-RZ1DD-VW	9.1GB UltraSCSI disk	10k
DS-RZ1ED-VW	18 GB UltraSCSI disk	10K
DS-RZ1FB-VW	36 GB UltraSCSI disk	10k

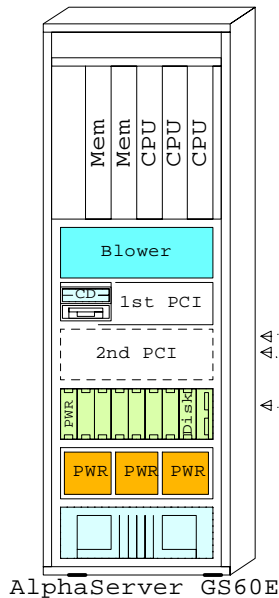
Graphics console

3X-KFE72-LA	
SN-PBXGK-BB	



PCI options

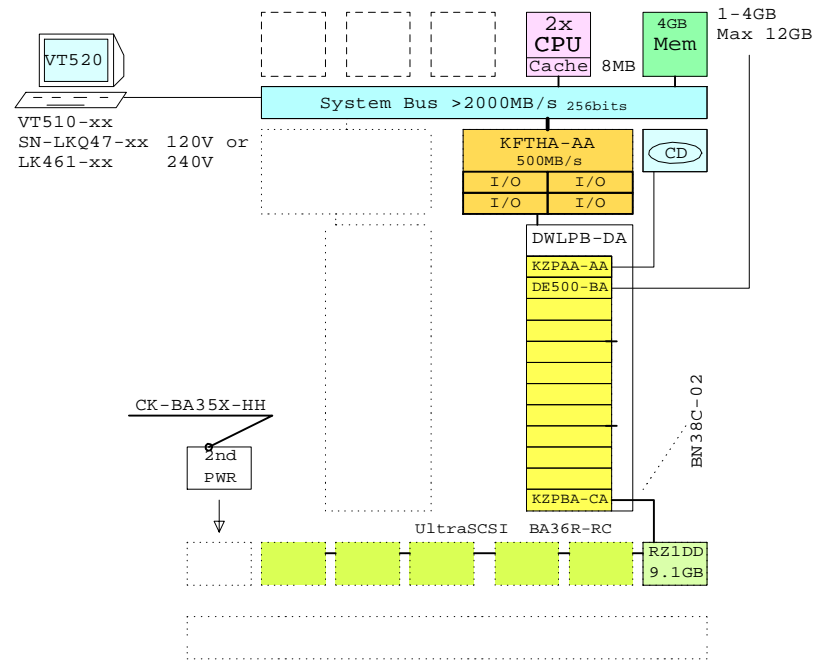
DE500-AA	Fast Ethernet 10/100
DE450-CA	Ethernet, thin/thic/twis
DEFPA-AB	FDDI adapter, SAS MMF
DEFPA-DB	FDDI adapter, DAS MMF
DEFPA-UB	FDDI adapter, SAS TP-PMD
CIPCA-BA	CI controller
KZPBA-CA	UltraSCSI SE controller
KZPBA-CB	UltraSCSI Dif controller



AlphaServer GS60E

Tru64 UNIX or
OpenVMS
700MHz EV6

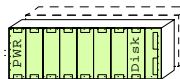
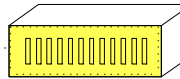
AlphaServer GS60E



7 Slots total

CPU 1-4 Min/Max
Mem 1-3
I/O 1-3

DWLPB-DA PCI




BA36R-RC Single ch
BA36R-RD Dual ch

Licenses included:

- DIGITAL UNIX V4.0E, Base license, Unlimited User license, Server Extension license, and Internet Access Software license and Netscape's Enterprise Server 3.0.
- OpenVMS V7.1-2, Base license and DIGITAL Enterprise Integration Package.

@700MHz
SPECint95 39
SPECfp95 68
SPECweb96
TPC 32515@5\$1

Software Processor Code: G

	01-Nov-1999	GEAGS60E2
	Mattti.Patari@compaq.com	

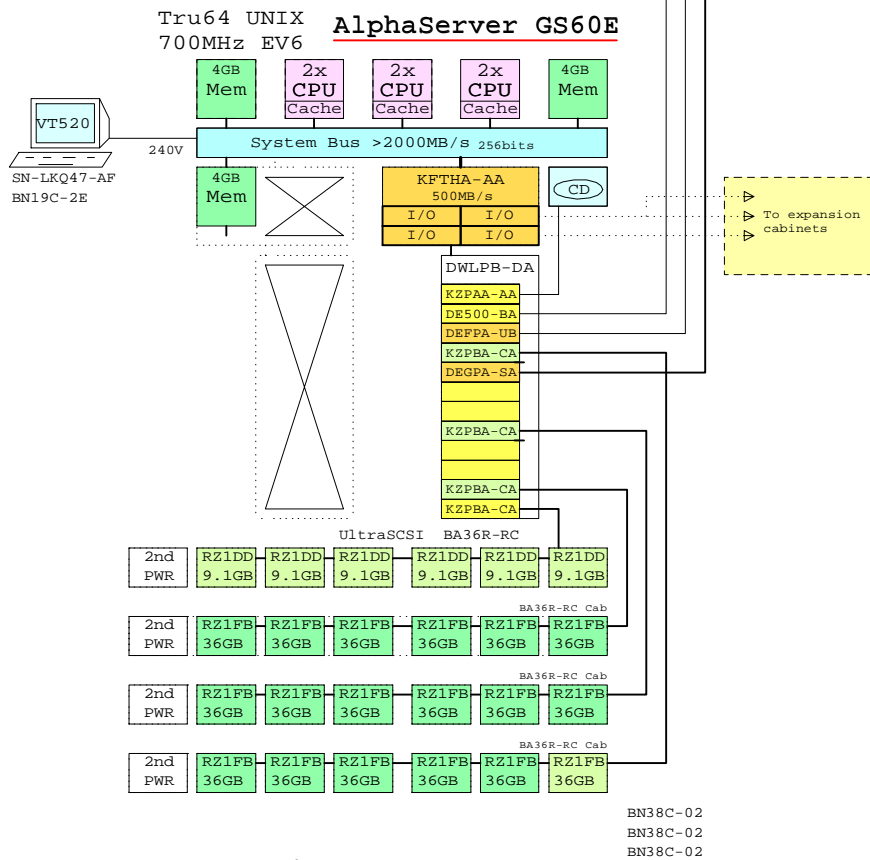
AlphaServer GS60E 6/700 System
GOLDEN EGGS Visuals, Helsinki

AlphaServer GS60E Tru64 UNIX systems

Ethernet

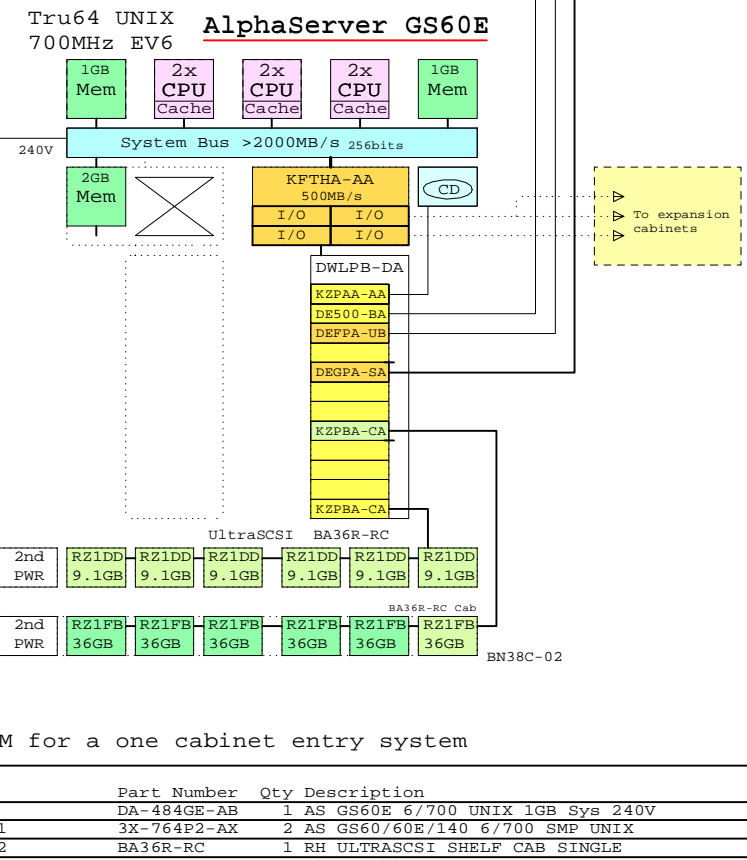
FDDI

GigaBitEthernet



BOM for a one cabinet max system

Part Number	Qty	Description
1	1	DA-484GG-AB 1 AS GS60E 6/700 UNIX 4GB Sys 240V
1.1	2	3X-764P2-AX 2 AS GS60/60E/140 6/700 SMP UNIX
1.2	1	BA36R-RC 1 RH ULTRASCSCI SHELF CAB SINGLE
1.2.1	1	CK-BA35X-HH 1 180W Stor.Shelf PWR for AS4x00
1.2.2	6	DS-RZ1FB-VW 6 36GB 7200 UltraSCSCI Disk
1.3	1	CK-BA35X-HH 1 180W Stor.Shelf PWR for AS4x00
1.4	1	DEFPA-UB 1 PCI to FDDI SAS,TP-PMD
1.5	1	DEGPA-SA 1 PCI to GigaBitEthernet SX Adap
1.6	5	DS-RZ1DD-VW 5 9.1GB 10000r UltraSCSCI disk
1.7	3	KZPBA-CA 3 PCI to UltraSCSCI Adapter UWSE
1.8	2	MS7CC-GA 2 4GB AlphaServer 8xxx Memory
2	1	BA36R-RC 1 RH ULTRASCSCI SHELF CAB SINGLE
2.1	1	CK-BA35X-HH 1 180W Stor.Shelf PWR for AS4x00
2.2	6	DS-RZ1FB-VW 6 36GB 7200 UltraSCSCI Disk
3	1	BA36R-RC 1 RH ULTRASCSCI SHELF CAB SINGLE
3.1	1	CK-BA35X-HH 1 180W Stor.Shelf PWR for AS4x00
3.2	6	DS-RZ1FB-VW 6 36GB 7200 UltraSCSCI Disk
4	1	VT520-A4 1 Text Terminal WH Intl No-hemi
5	1	SN-LKQ47-AF 1 102 KEY KYBD, NON-WIN, Finnish
6	3	BN38C-02 3 Ultra Cbl VHDCI - 68HD
7	1	BN19C-2E 1 PowerCable 240V, C-Europe



BOM for a one cabinet entry system

Part Number	Qty	Description
1	1	DA-484GE-AB 1 AS GS60E 6/700 UNIX 1GB Sys 240V
1.1	2	3X-764P2-AX 2 AS GS60/60E/140 6/700 SMP UNIX
1.2	1	BA36R-RC 1 RH ULTRASCSCI SHELF CAB SINGLE
1.2.1	1	BN38C-02 1 Ultra Cbl VHDCI - 68HD
1.2.2	1	CK-BA35X-HH 1 180W Stor.Shelf PWR for AS4x00
1.2.3	6	DS-RZ1FB-VW 6 36GB 7200 UltraSCSCI Disk
1.3	1	CK-BA35X-HH 1 180W Stor.Shelf PWR for AS4x00
1.4	1	DEFPA-UB 1 PCI to FDDI SAS,TP-PMD
1.5	1	DEGPA-SA 1 PCI to GigaBitEthernet SX Adap
1.6	5	DS-RZ1DD-VW 5 9.1GB 10000r UltraSCSCI disk
1.7	1	KZPBA-CA 1 PCI to UltraSCSCI Adapter UWSE
1.8	1	MS7CC-EA 1 1GB AlphaServer 8xxx Memory
1.9	1	MS7CC-FA 1 2GB AlphaServer 8xxx Memory
2	1	VT520-A4 1 Text Terminal WH Intl No-hemi
3	1	SN-LKQ47-AF 1 102 KEY KYBD, NON-WIN, Finnish
4	1	BN19C-2E 1 PowerCable 240V, C-Europe

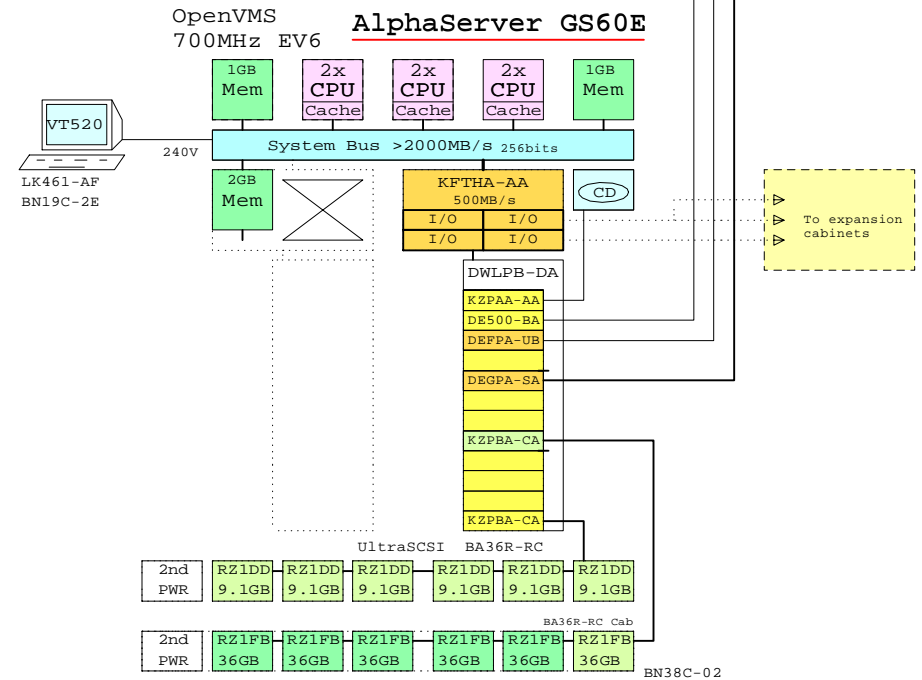
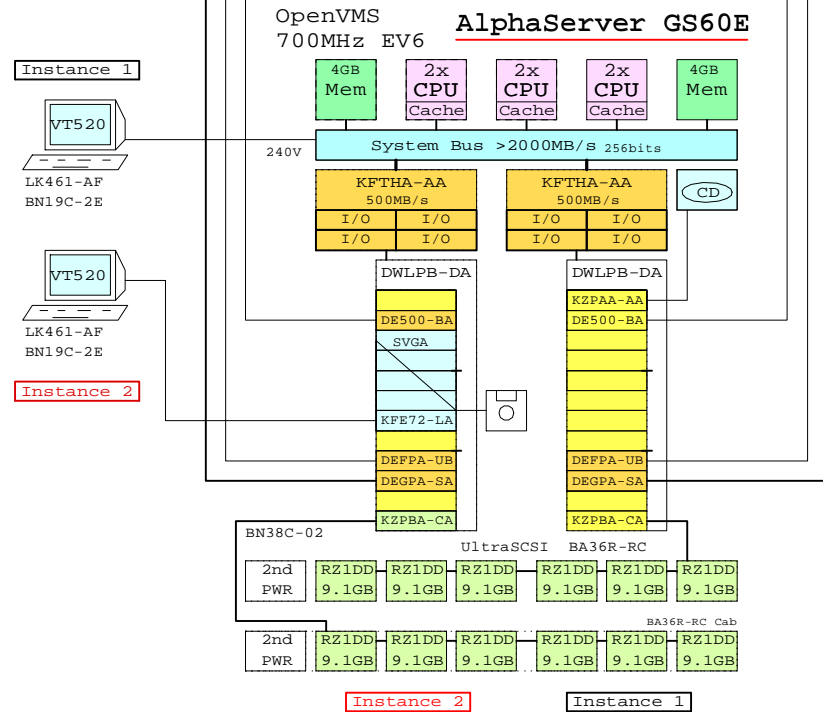
COMPAQ 01-Nov-1999 GTAUGS60E2
Matti.Patari@compaq.com

AlphaServer GS60E UNIX system
GOLDEN EGGS Visuals, Helsinki

AlphaServer GS60E OpenVMS Galaxy

AlphaServer GS60E OpenVMS system

Ethernet
FDDI
GigaBitEthernet



BOM for a one cabinet entry Galaxy

Part Number	Qty	Description
1	1	DY-484GG-AB 1 AS GS60E 6/700 OVMS 4GB Sys 240V
1.1	2	3X-764P1-AX 2 AS GS60/60E/140 6/700 SMP OVMS
1.2	1	BA36R-RC 1 RH ULTRASCSCI SHELF CAB SINGLE
1.2.1	1	CK-BA35X-HH 1 180W Stor.Shelf PWR for AS4x00
1.2.2	6	DS-RZ1DD-VW 6 9.1GB 10000r UltraSCSCI disk
1.3	1	BN38C-02 1 Ultra Cbl VHDCI - 68HD
1.4	1	CK-BA35X-HH 1 180W Stor.Shelf PWR for AS4x00
1.5	1	DEFPA-UB 1 PCI to FDDI SAS,TP-PMD
1.6	1	DEGPA-SA 1 PCI to GigaBitEthernet SX Adap
1.7	5	DS-RZ1DD-VW 5 9.1GB 10000r UltraSCSCI disk
1.8	1	DWLPPB-DA 1 PCI PIU for GS60E Sys and Exp.Cab
1.8.1	1	3X-KFE72-LA 1 GS60E Graphic Console Subsystem
1.8.2	1	DE500-BA 1 PCI/FAST Ethernet, CAT 5 UTP
1.8.3	1	DEFPA-UB 1 PCI to FDDI SAS,TP-PMD
1.8.4	1	DEGPA-SA 1 PCI to GigaBitEthernet SX Adap
1.8.5	1	KZPBA-CA 1 PCI to UltraSCSCI Adapter UWSE
1.9	1	KFTHA-AA 1 Sys I/O Module w/4 I/O Chanls
1.10	1	MS7CC-GA 1 4GB AlphaServer 8xxx Memory
2	2	VT520-A4 2 Text Terminal WH Intl No-hemi
3	2	BN19C-2E 2 PowerCable 240V, C-Europe
4	2	LK461-AF 2 VMS STYLE KEYBOARD, Fin/Swed

BOM for a one cabinet entry system

Part Number	Qty	Description
1	1	DY-484GE-AB 1 AS GS60E 6/700 OVMS 1GB Sys 240V
1.1	2	3X-764P1-AX 2 AS GS60/60E/140 6/700 SMP OVMS
1.2	1	BA36R-RC 1 RH ULTRASCSCI SHELF CAB SINGLE
1.2.1	1	BN38C-02 1 Ultra Cbl VHDCI - 68HD
1.2.2	1	CK-BA35X-HH 1 180W Stor.Shelf PWR for AS4x00
1.2.3	6	DS-RZ1FB-VW 6 36GB 7200 UltraSCSCI Disk
1.3	1	CK-BA35X-HH 1 180W Stor.Shelf PWR for AS4x00
1.4	1	DEFPA-UB 1 PCI to FDDI SAS,TP-PMD
1.5	1	DEGPA-SA 1 PCI to GigaBitEthernet SX Adap
1.6	5	DS-RZ1DD-VW 5 9.1GB 10000r UltraSCSCI disk
1.7	1	KZPBA-CA 1 PCI to UltraSCSCI Adapter UWSE
1.8	1	MS7CC-EA 1 1GB AlphaServer 8xxx Memory
1.9	1	MS7CC-FA 1 2GB AlphaServer 8xxx Memory
2	1	VT520-A4 1 Text Terminal WH Intl No-hemi
3	1	BN19C-2E 1 PowerCable 240V, C-Europe
4	1	LK461-AF 1 VMS STYLE KEYBOARD, Fin/Swed

COMPAQ 02-Nov-1999 GTAVGS60E2
Matti.Patari@compaq.com

GS60E OVMS

AlphaServer GS60E OpenVMS syst
GOLDEN EGGS Visuals, Helsinki

AlphaServer GS140 6/700 Systems

Expanded Base Server Systems

DA-394GG-AA/AB Tru64 UNIX 4GB

DY-394GG-AA/AB OpenVMS 4GB

208/416V

Memory modules Additional CPU modules

MS7CC-EA 1GB 3X-764P2-AX UNIX 2-cpu

MS7CC-FA 2GB 3X-764P1-AX OVMS 2-cpu

MS7CC-GA 4GB

More options

DS-RZ1DD-VW 9.1GB UltraSCSI disk 10k

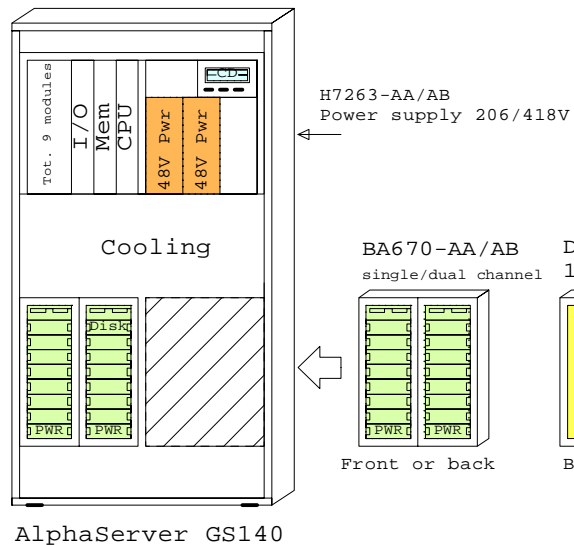
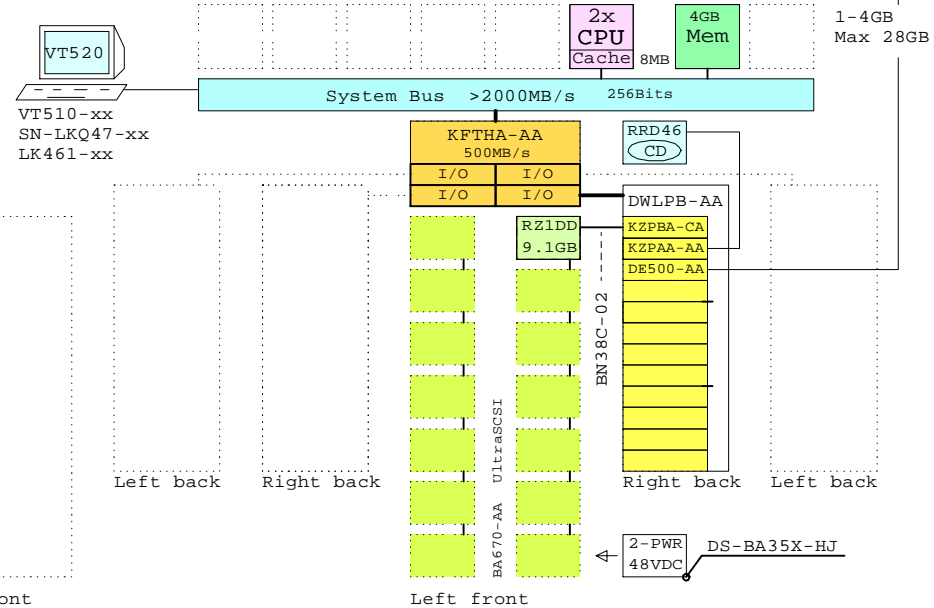
DS-RZ1ED-VW 18 GB UltraSCSI disk 10K

DS-RZ1FB-VW 36 GB UltraSCSI disk 10k

DE500-AA Fast Ethernet 10/100
 DE450-CA Ethernet, thin/thic/twis
 DEFPA-AB FDDI adapter, SAS MMF
 DEFPA-DB FDDI adapter, DAS MMF
 DEFPA-UB FDDI adapter, SAS TP-PMD
 CIPCA-BA CI controller
 KZPSA-BB SCSI FWD controller
 KZPBA-CA UltraSCSI SE controller
 KZPBA-CB UltraSCSI Dif controller

Expanded Base Server

Tru64 UNIX or
 OpenVMS
 700MHz EV6 **AlphaServer GS140**



Licenses included:

- DIGITAL UNIX V4.0e, Base license, Unlimited User license, Server Extension license, and Internet Access Software license and Netscape's Enterprise Server 3.0.
- OpenVMS V7.1-2, Base license and DIGITAL Enterprise Integration Package.

@700MHz
 SPECint95 39
 SPECfp95 68
 SPECweb96
 TPC 42437@\$55

Software Processor Code: Q

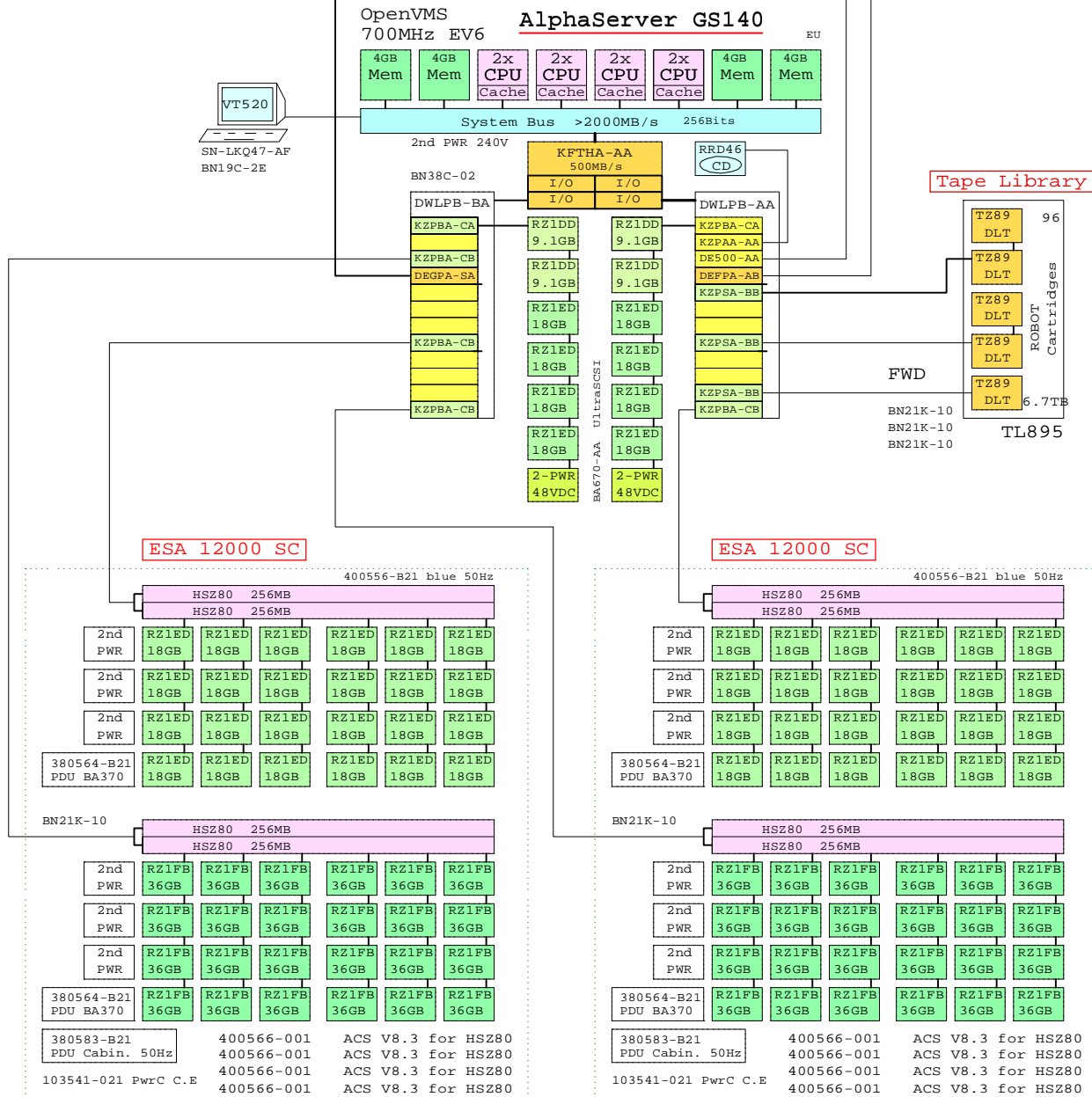
COMPAQ	27-Dec-1999	GEAGS1405
	Matti.Patari@compaq.com	

AlphaServer GS140 6/700 System
 GOLDEN EGGS Visuals, Helsinki

GS140

AlphaServer GS140 OpenVMS systems

Ethernet
FDDI
GigaBitEthernet



BOM for AlphaServer GS140

Part Number	Qty	Description
1	1	AS GS140 6/700 OVMS 4GB EU
1.1	3	3X-764P1-AX 3 AS GS60/60E/140 6/700 SMP OVMS
1.2	1	BN38C-02 1 Ultra Cbl VHDCI - 68HD
1.3	1	DEFPA-AB 1 PCI to FDDI SAS
1.4	2	DS-BA35X-HJ 2 48VDC 180W Power Supply Blue
1.5	3	DS-RZ1DD-VW 3 9.1GB 10000r UltraSCSI disk
1.6	8	DS-RZ1ED-VW 8 18.2GB 10000r UltraSCSI disk
1.7	1	DWLPB-BA 1 2nd 12 Slot PCI for DWLPB-AA
1.7.1	1	DEGPA-SA 1 PCI to GigaBitEthernet SX Adap
1.7.2	1	KZPBA-CA 1 PCI to UltraSCSI Adapter UWSE
1.8	1	H7263-AB 1 48Volt Power Regulator Option
1.9	3	MS7CC-GA 3 4GB AlphaServer 8xxx Memory
2	1	VT520-A4 1 Text Terminal WH Intl No-hemi
3	1	SN-LKQ47-AF 1 102 KEY KYBD, NON-WIN, Finnish
4	1	BN19C-2E 1 PowerCable 240V, C-Europe

BOM for Tape Library

Part Number	Qty	Description
1	1	DS-TL895-BA 1 96 Slot Tape Lib W/5 TZ89 DR
2	3	KZPSA-BB 3 PCI-HOST FWD Bus Adapter
3	3	BN21K-10 3 68HD SCSI cable 10m

BOM for StorageWorks

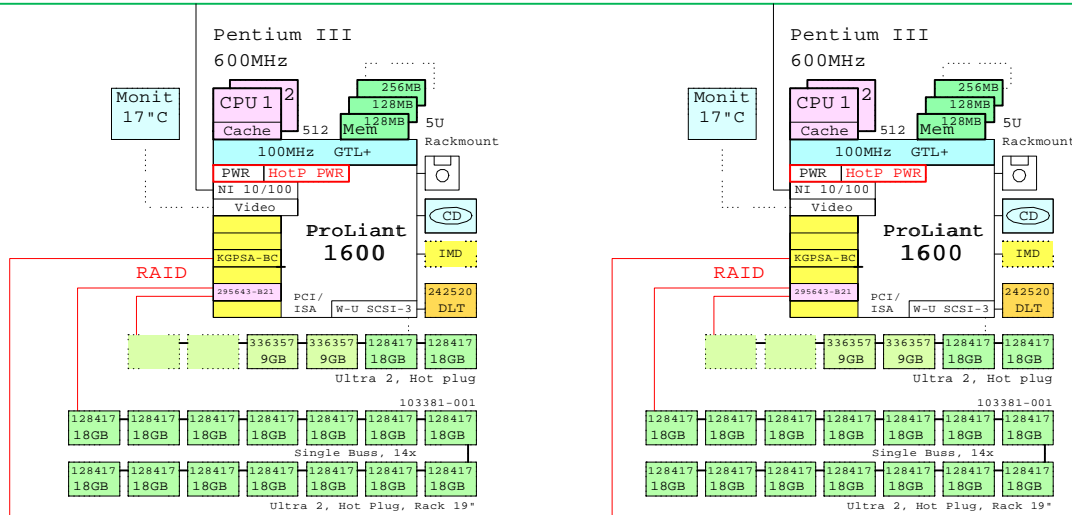
Part Number	Qty	Description
1	1	400556-B21 1 ESA1200 SC 50HZ 2x24 4xCnt blue
1.1	1	103541-021 1 Power Cord 13-20A C.Europe
1.2	2	380564-B21 2 Power Distribution Unit RA8k/7k
1.3	6	380565-B21 6 Power Suply 180W Hot Plug SBB
1.4	1	380583-B21 1 ESA12000 Cabinet PDU 50Hz
1.5	4	400566-001 4 HSZ80 Controller Software ACS V8.3
1.6	1	BN21K-10 1 68HD SCSI cable 10m
1.7	24	DS-RZ1ED-VW 24 18.2GB 10000r UltraSCSI disk
1.8	24	DS-RZ1FB-VW 24 36GB 7200 UltraSCSI Disk
2	1	400556-B21 1 ESA1200 SC 50HZ 2x24 4xCnt blue
2.1	1	103541-021 1 Power Cord 13-20A C.Europe
2.2	2	380564-B21 2 Power Distribution Unit RA8k/7k
2.3	6	380565-B21 6 Power Suply 180W Hot Plug SBB
2.4	1	380583-B21 1 ESA12000 Cabinet PDU 50Hz
2.5	4	400566-001 4 HSZ80 Controller Software ACS V8.3
2.6	1	BN21K-10 1 68HD SCSI cable 10m
2.7	24	DS-RZ1ED-VW 24 18.2GB 10000r UltraSCSI disk
2.8	24	DS-RZ1FB-VW 24 36GB 7200 UltraSCSI Disk
3	4	400571-001 4 Ultra opt OS Software OpenVMS
4	4	KZPBA-CB 4 PCI to UltraSCSI Adapter UWdif

400571-001 OpenVMS
400571-001 OpenVMS
400571-001 OpenVMS
400571-001 OpenVMS

COMPAQ 02-Nov-1999 GTA VGS1405
Matti.Patari@compaq.com

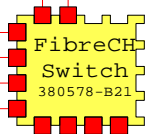
AlphaServer GS140 OpenVMS sys
GOLDEN EGGS Visuals, Helsinki

Ethernet



BOM for one PL1600 system

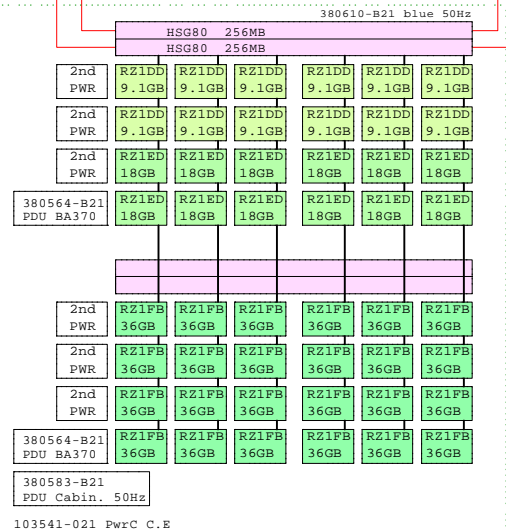
Part Number	Qty	Description
1	1	153551-021 1 ProLiant 1600R 600MHz 512 128MB rack
1.1	1	124779-B21 1 6/600 Pentium III 512K Processor Option
1.2	2	128417-B21 2 18.2GB W-Ultra SCSI-3 10k 1" Drive
1.3	1	242520-B21 1 DLT drive, internal 35/70GB
1.4	1	264377-B23 1 Integrated Mgt. Display Option
1.5	1	283697-B21 1 Hot Plug Redundant Power Supply
1.6	1	295643-B21 1 Smart Array 3200 RAID two channels
1.7	1	313615-B21 1 256MB SDRAM Memory Kit
1.8	1	313616-B21 1 128MB SDRAM Memory Kit
1.9	1	325800-021 1 V700 Color Monitor (Carbon)
1.10	2	336357-B21 2 9.1GB W-Ultra SCSI-3 10k 1" Drive
1.11	1	380574-001 1 Compaq Host Buss Cntr KGPSA-BC
2	1	103381-001 1 Compaq StorageWorks Encl. Mod4214R
2.1	14	128417-B21 14 18.2GB W-Ultra SCSI-3 10k 1" Drive



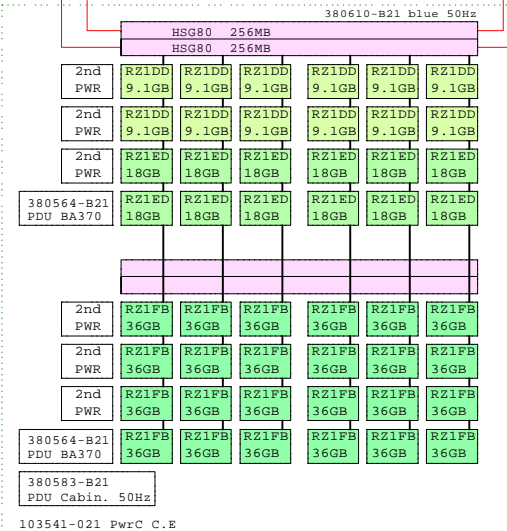
BOM for Fibre Channel

Part Number	Qty	Description
1	1	380578-B21 1 FC Switch 16 Ports
1.1	10	380561-B21 10 FC Optical Short Wave GBIC

ESA 1200FC



ESA 1200FC



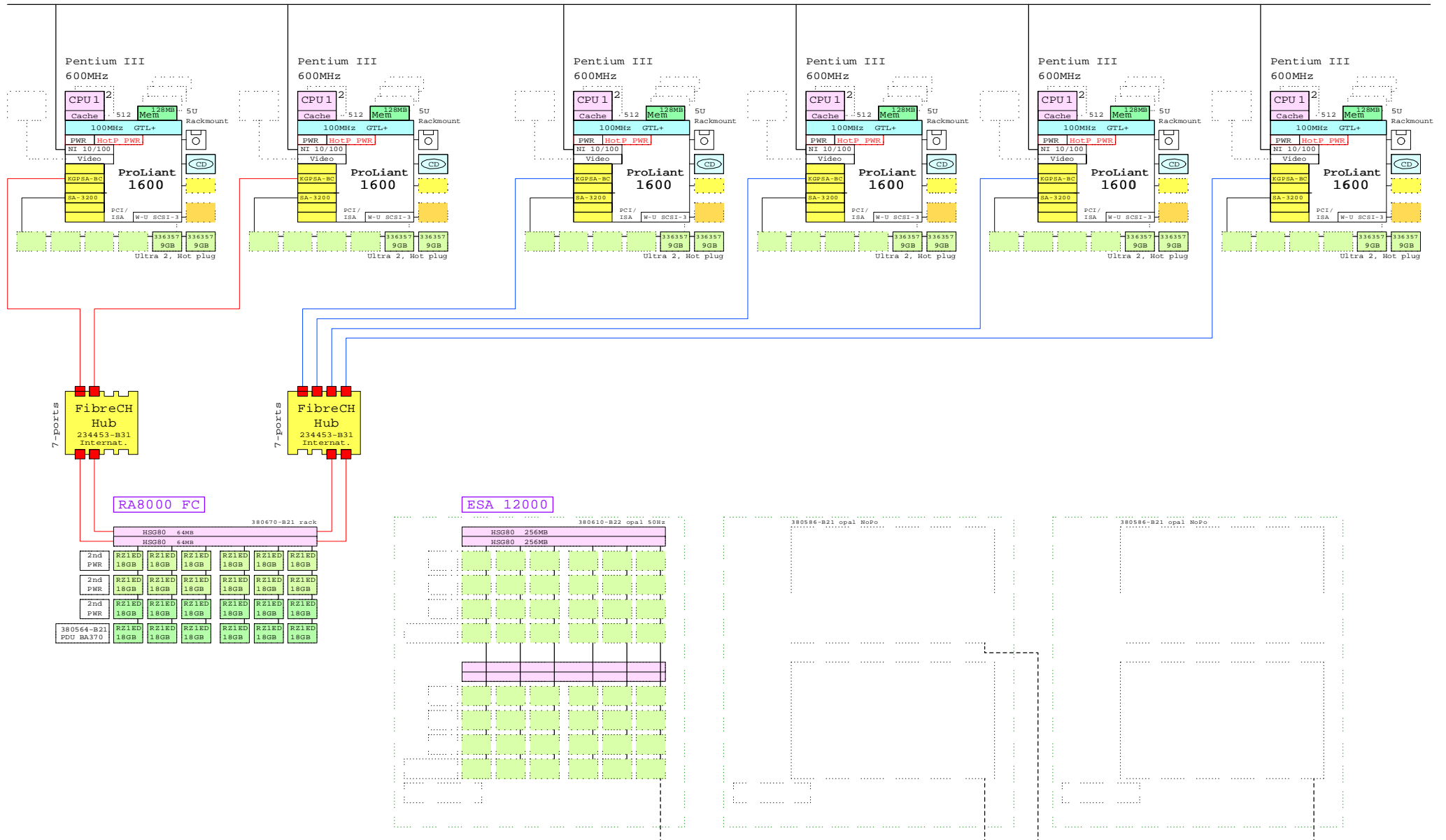
BOM for one ESA 1200 FC

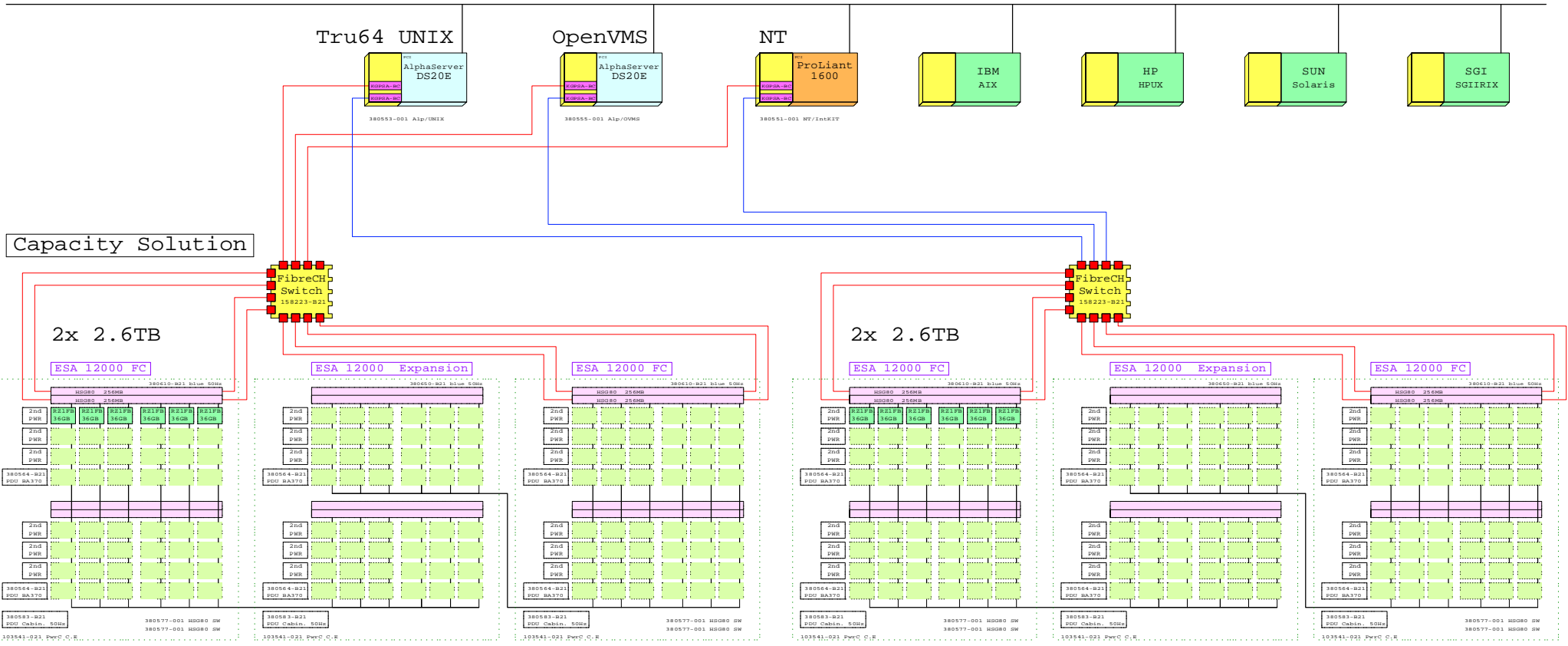
Part Number	Qty	Description
1	1	380610-B21 1 ESA1200 FC 50HZ 2x24 2xCnt blue
1.1	1	103541-021 1 Power Cord 13-20A C.Europe
1.2	2	380564-B21 2 Power Distribution Unit RA8k/7k
1.3	6	380565-B21 6 Power Suply 180W Hot Plug SBB
1.4	1	380583-B21 1 ESA1200 Cabinet PDU 50Hz
1.5	12	DS-RZ1DD-VW 12 9.1GB 10000r UltraSCSI disk
1.6	12	DS-RZ1ED-VW 12 18.2GB 10000r UltraSCSI disk
1.7	24	DS-RZ1FB-VW 24 36GB 7200 UltraSCSI Disk

All BOMs have been pulled from the picture.
No manual sorting is needed.

Windows NT, Cluster

Novell, standalone servers





Tru64 UNIX

OpenVMS

NT

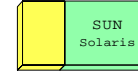
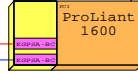
ProLiant 1600

IBM AIX

HP HPUX

SUN Solaris

SGI SGI IRIX



380553-001 Alp/UNIX

380555-001 Alp/OMMS

380551-001 NT/ntkrnl

Performance

3x 1.7TB

ESA 12000 FC

ESA 12000 FC

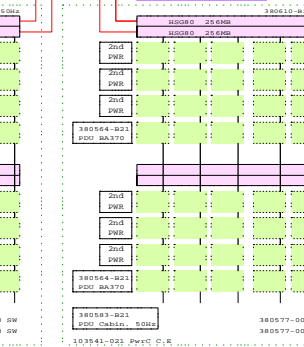
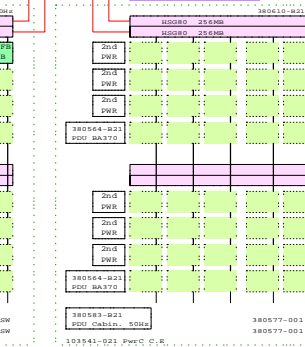
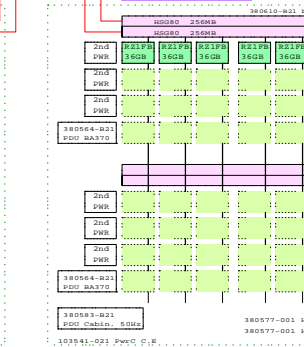
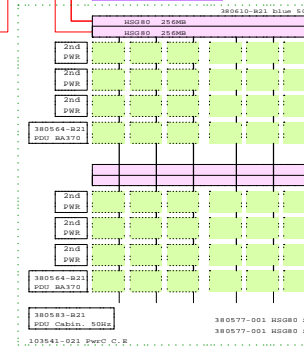
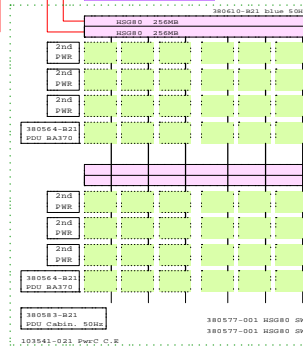
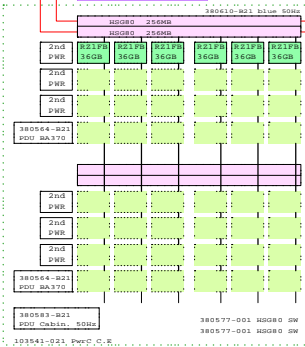
ESA 12000 FC

3x 1.7TB

ESA 12000 FC

ESA 12000 FC

ESA 12000 FC



Highest Performance with Capacity expansion

Tru64 UNIX

OpenVMS

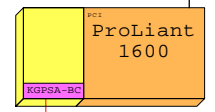
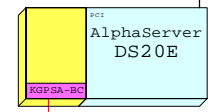
NT

IBM
AIX

HP
HPUX

SUN
Solaris

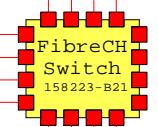
SGI
SGIIRIX



380553-001 Alp/UNIX

380555-001 Alp/OVMS

380551-001 NT/IntKIT

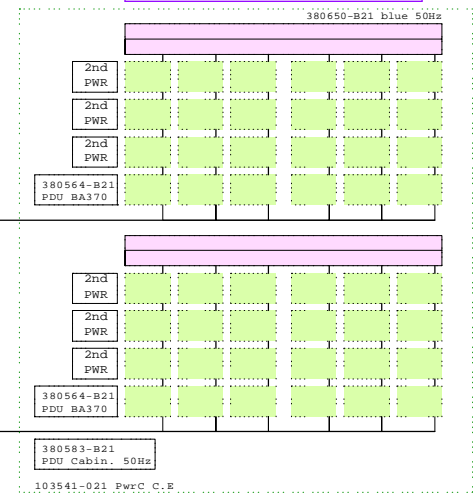
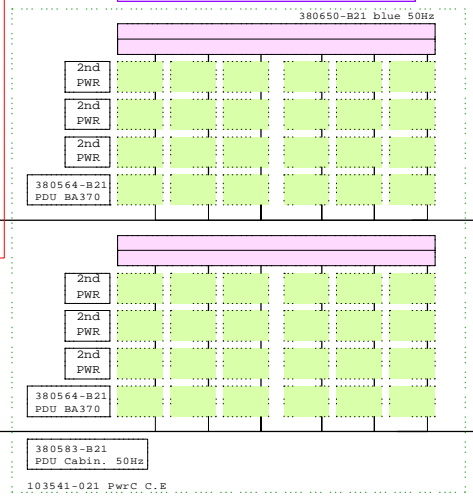
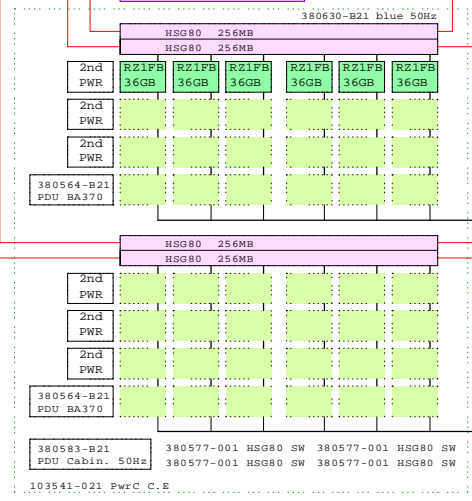


2x2.6TB

ESA 12000 FC

ESA 12000 Expansion

ESA 12000 Expansion



380583-B21 PDU Cabin. 50Hz
380577-001 HSG80 SW
380577-001 HSG80 SW
380577-001 HSG80 SW
103541-021 PwrC C.R

380583-B21 PDU Cabin. 50Hz
380577-001 HSG80 SW
380577-001 HSG80 SW
103541-021 PwrC C.R

380583-B21 PDU Cabin. 50Hz
380577-001 HSG80 SW
380577-001 HSG80 SW
103541-021 PwrC C.R

Ethernet

Dear GOLDEN EGGS Printer,

This is the last page for Electric GOLDEN EGGS of 09-Feb-2000.

The last "real page" was StorFCall1 Highest Perfor & Capacity.

Please, stay tuned on this Electric GOLDEN EGGS Channel.
More fresh pages are to come in my next E-mails.....

I wish you good Alpha Millenium

Please send your GOLDEN EGGS Software requests to:

Matti.Patari@Compaq.com , Helsinki Finland

Tel: 358-20412-3040

COMPAQ

09-Feb-2000 GEG00end

Matti.Patari@Compaq.com

GOLDEN EGGS in eBusiness since 1988 11 years.

Electric

Last page

GOLDEN EGGS Visuals, Helsinki