

Print Colour and  
staple here.

Electric

# GOLDEN EGGS Colour

Visual Configurations  
Rev: 20-Apr-2000

Main index for the next 46 pages:

- GE-KEY, GE-Software, AlphaServer family
- New --> - AlphaServer DS10L Unix, OpenVMS and Linux  
466MHz
- AlphaServer DS10 Unix, OpenVMS and Linux
- New --> - AlphaServer DS20E Unix, OpenVMS, and Linux  
667MHz
- New --> - AlphaServer ES40 Unix, OpenVMS, and Linux  
667MHz
- AlphaServer GS60E Unix, OpenVMS
- AlphaServer GS140 Unix, OpenVMS
- ProLiant 1600 Examples
- StorageWorks Examples

New since  
09-Feb-2000

More GE-pages at:  
[www.compaq.com/golden-eggs](http://www.compaq.com/golden-eggs)

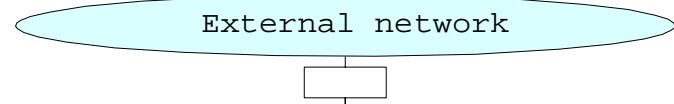
For details, call:  
[Matti.Patari@compaq.com](mailto:Matti.Patari@compaq.com)

Painted with GOLDEN EGGS Software,  
Rev: 20-Apr-2000

<b>COMPAQ</b>	20-Apr-2000	GEG00D
	<a href="mailto:Matti.Patari@Compaq.com">Matti.Patari@Compaq.com</a>	

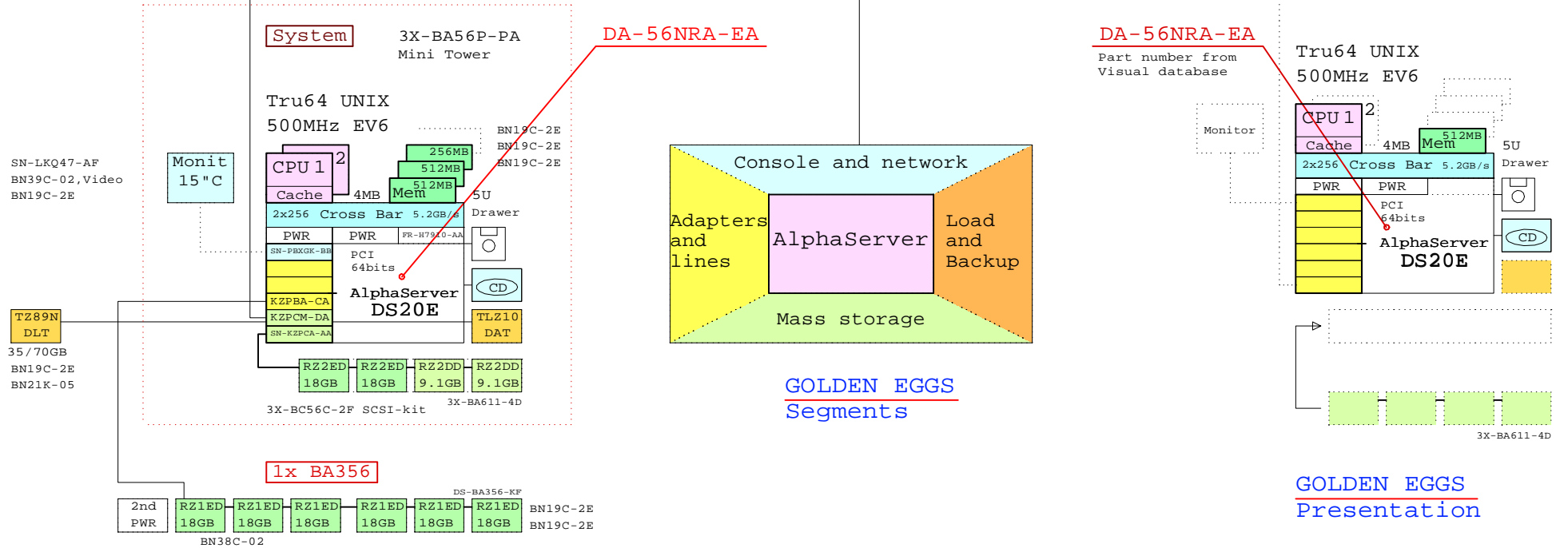
# Key to GOLDEN EGGS

Ethernet



External site

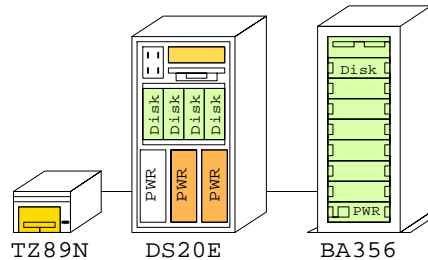
Internal site



Bill of material, BOM

Part Number	Qty	Description
1	1	3X-BA56P-PA DS20E Mini tower pedestal kit
1.1	1	3X-BC56C-2F DS20E SCSI Cable Kit
1.2	3	BN19C-2E PowerCable 240V, C-Europe
1.3	1	DA-56NRA-EA AS DS20E 6/500 512MB,Rack,UNIX
1.3.1	1	3R-VRQV5-24 COMPAQ V55 CLR MON,NH,TC095
1.3.2	1	3X-BA611-4D Disk Cage for DS20E, 4x disk
1.3.2.1	2	DS-RZ2DD-16 ES40 Disk 9.1GB 10k Ultra2 SCSI
1.3.2.2	2	DS-RZ2ED-16 ES40 Disk 18GB 10k Ultra2 SCSI
1.3.3	1	FR-H7910-AA Third power supply for DS20E
1.3.4	1	KN310-BB AS DS20E 6/500 SMP UPG UNIX
1.3.5	1	KZPBA-CA PCI to UltraSCSI Adapter UWSE
1.3.6	1	KZPCM-DA Dual Uscsi with FastEther PCI
1.3.7	1	MS340-CA DS20 256MB SDIMM MEM 4x64MB
1.3.8	1	MS340-DA DS20 512MB SDIMM MEM 4x128MB
1.3.9	1	SN-KZPCA-AA Single channel LVD adapter
1.3.10	1	SN-PBXGK-BB Elsa Gloria Synergy 8M Video Graphics
1.3.11	1	TLZ10-LB 12/24GB 4mm DAT 5.25" HH
2	1	DS-BA356-KF Pedestal Storage, UltraW, Single-Bus
2.1	2	BN19C-2E PowerCable 240V, C-Europe
2.2	1	BN38C-02 Ultra Cbl VHDCI - 68HD
2.3	1	CK-BA35X-HH 180W Stor.Shelf PWR for AS4x00
2.4	6	DS-RZ1ED-VW 18.2GB 10000r UltraSCSI disk
3	1	DS-TZ89N-TA 35/70GB SE DLT-tape TT FWSE
4	1	BN39C-02 1.8 Video Extension Cable ****
5	1	SN-LKQ47-AF 102 KEY KYBD, NON-WIN, Finnish
6	2	BN19C-2E PowerCable 240V, C-Europe
7	1	BN21K-05 68HD SCSI cable 5m

System kernel



Internet pointer to GE-libray

Name of the page

- GExxxx = GOLDEN EGGS page
  - GTxxxx = GOLDEN Template
- Templates are included in GOLDEN EGGS Software kit.

Date of update

**COMPAQ** 09-Feb-2000 GEG00B

www.compaq.com/golden-eggs

**KEY** To GOLDEN EGGS  
GOLDEN EGGS Visual Configurations, Helsinki

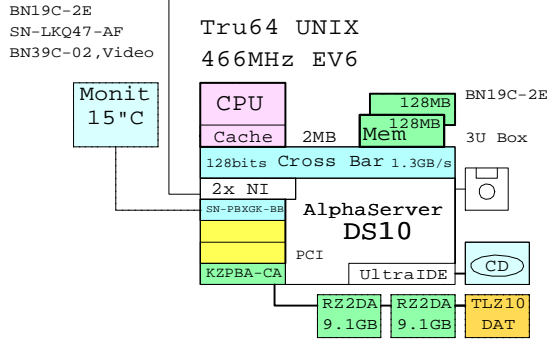
# GOLDEN EGGS Software

DS10 UNIX System

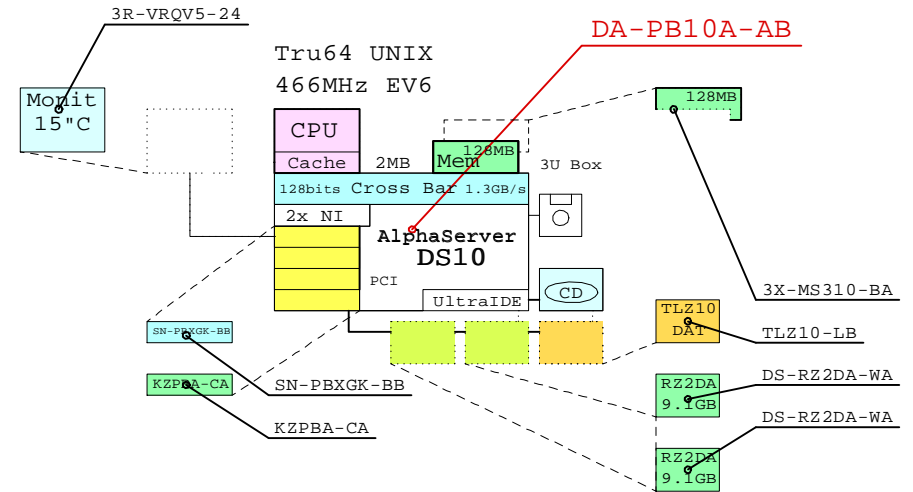
Shapes for a DS10 UNIX System

Ethernet

System and options have been dragged from GOLDEN EGGS menu.



These visuals make this system.



## Bill of Material, no price

Part Number	Qty	Description
1	1	DA-PB10A-AB 1 AS DS10 6/466 128MB UNIX
1.1	1	3R-VRQV5-24 1 COMPAQ V55 CLR MON,NH,TCO95
1.2	1	3X-MS310-BA 1 DS10 128MB DIMM MEM
1.3	1	BN19C-2E 1 PowerCable 240V, C-Europe
1.4	1	BN39C-02 1 1.8 Video Extension Cable ****
1.5	2	DS-RZ2DA-WA 2 9.1GB 7200RPM UltraSCSI Disk
1.6	1	KZPBA-CA 1 PCI to UltraSCSI Adapter UWSE
1.7	1	SN-PBXGK-BB 1 Elsa Gloria Synergy 8M Video Graphics
1.8	1	TLZ10-LB 1 12/24GB 4mm DAT 5.25" HH
2	1	SN-LKQ47-AF 1 102 KEY KYBD, NON-WIN, Finnish
3	1	BN19C-2E 1 PowerCable 240V, C-Europe

## Bill of Material with local currency, Fimk

GOLDEN EGGS Drawing: p\_GEG00C  
Date: 1999-12-13 10:12:00  
Price file: GEfim071199.Dat

Bill of Material

Part Number	Qty	Description	E/U OEM	Price	Sub.tot
1	1	DA-PB10A-AB 1 AS DS10 6/466 128MB UNIX	X X	34150	34150
1.1	1	3R-VRQV5-24 1 COMPAQ V55 CLR MON,NH,TCO95	N A	2086	2086
1.2	1	3X-MS310-BA 1 DS10 128MB DIMM MEM	X X	4052	4052
1.3	1	BN19C-2E 1 PowerCable 240V, C-Europe	N R	58	58
1.4	1	BN39C-02 1 1.8 Video Extension Cable ****	X X	161	161
1.5	2	DS-RZ2DA-WA 2 9.1GB 7200RPM UltraSCSI Disk	Y M	2800	5600
1.6	1	KZPBA-CA 1 PCI to UltraSCSI Adapter UWSE	Y M	2732	2732
1.7	1	SN-PBXGK-BB 1 Elsa Gloria Synergy 8M Video Graphics	N A	1799	1799
1.8	1	TLZ10-LB 1 12/24GB 4mm DAT 5.25" HH	Y M	8300	8300
2	1	SN-LKQ47-AF 1 102 KEY KYBD, NON-WIN, Finnish	N A	154	154
3	1	BN19C-2E 1 PowerCable 240V, C-Europe	N R	58	58

Grand Total: 59150

Generated with fresh GOLDEN EGGS Software, Rev:03-Feb-2000

## GOLDEN EGGS Software:

- This software runs on a normal office PC or Laptop.
- Tool for Compaq system designer and Sales.
- Rich Compaq product palette for Alpha and StorageWorks.
- Easy to use, just drag and drop.
- One picture talks thousands of words!

- Contains a rich set of ready made system templates.
- Bill of material, BOM, is pulled from the picture.
- Configuration pricing is available in local currency.

## How to get GOLDEN EGGS Software:

Send your request to:

Matti.Patari@compaq.comm

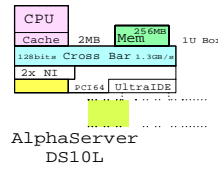
<b>COMPAQ</b>	09-Feb-2000	GEG00C
	Matti.Patari@Compaq.com	
GOLDEN EGGS Software, 03-Feb-00		
GOLDEN EGGS Visuals, Helsinki		

GE-Software

# AlphaServer Family: DS10 - GS140

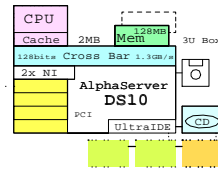
## DS10

OpenVMS  
466MHz EV6



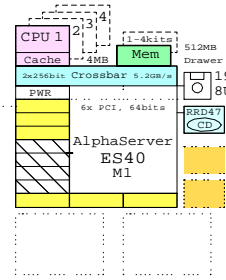
## DS20E

Tru64 UNIX  
466MHz EV6



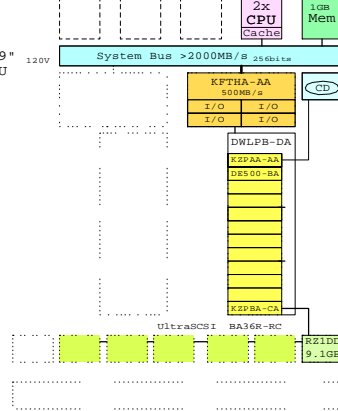
## ES40

Tru64 UNIX  
500MHz EV6



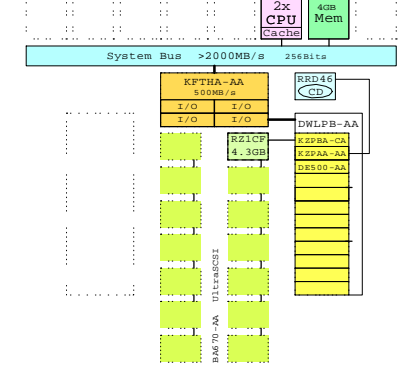
## GS60E

Tru64 UNIX **AlphaServer GS60E**  
525MHz EV6

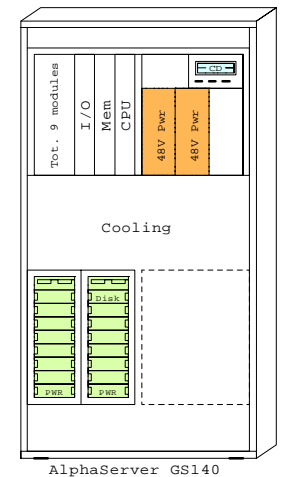
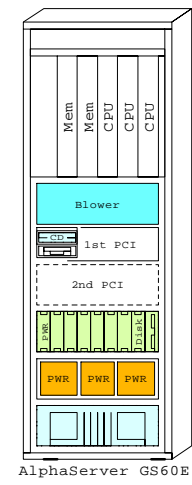
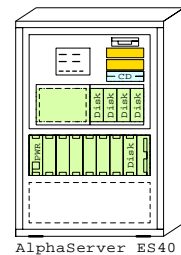
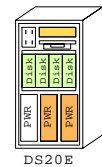
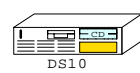


## GS140

OpenVMS **AlphaServer GS140**  
525MHz EV6



One U



Operating systems:  
- Tru64 UNIX  
- OpenVMS  
- Linux

Cabinets..

# AlphaServer DS10L 6/466 Systems

## Server systems, 64bits 466MHz

Memory	Tru64 UNIX	OpenVMS	Linux ready
128MB	DA-71AAA-CA	DY-71AAA-CA	DJ-71AAA-CA
256MB	DA-71AAA-DA	DY-71AAA-DA	DJ-71AAA-DA
512MB	DA-71AAA-EA	DY-71AAA-EA	DJ-71AAA-EA
1GB	DA-71AAA-FA	DY-71AAA-FA	DJ-71AAA-FA

## Disk storage

IDE Disk	IDE
3X-RE56A-AA	10GB 5400r IDE drive
3X-BN50A-04	One drop IDE cable, 1-2x
SCSI Disk	SCSI
DS-RZ1DD-WA	9.1GB 10k SCSI drive
DS-RZ2EF-WA	18GB 10k SCSI drive
3X-BN50A-05	One drop SCSI cable, 0-1x
3X-BN50A-02	Two drop SCSI cable, 0-1x
KZPBA-CA	UltraSCSI SE adapter
KZPAC-AA	UltraSCSI RAID adapter
Load device	
3X-PBXRY-AA	CD and Diskette combo
3X-SD20X-LB	20/40GB DAT tape drive
3X-BC56C-2F	SCSI cable kit for tape

## Cabinet shelf kits

3X-PBX01-BB	Rack kit Single
3X-PBX01-BC	Rack kit Quad

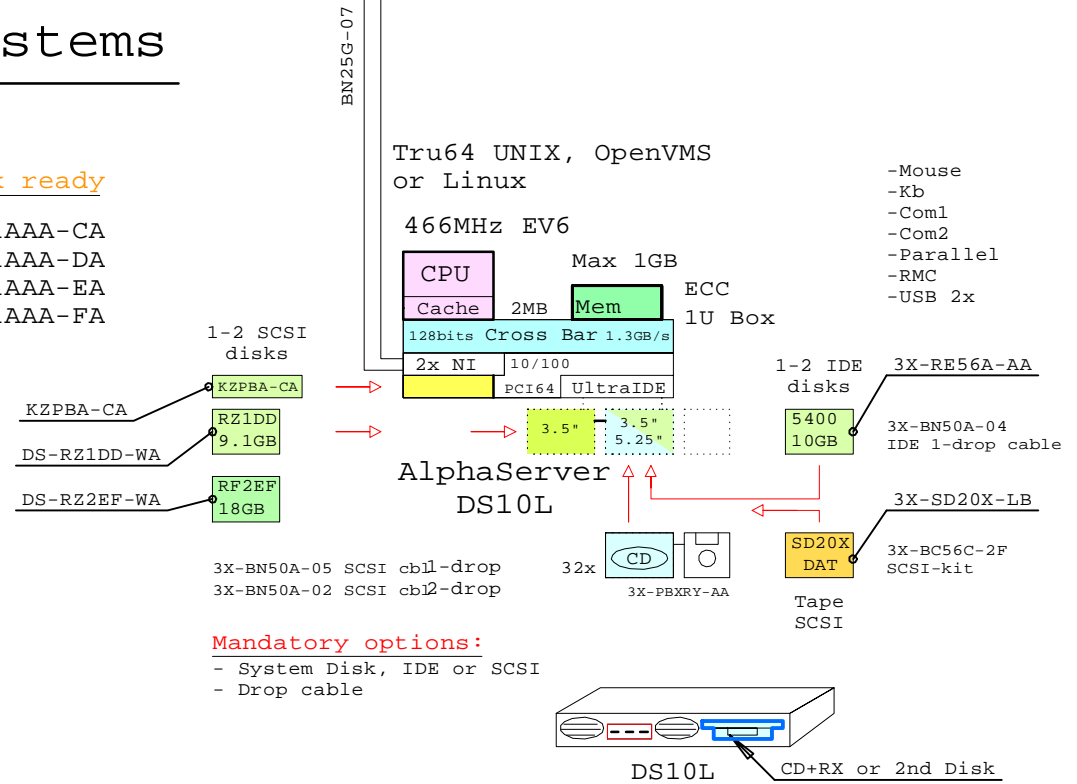
## Memory swap, max memory =1GB

128MB	3X-MS310-BA
256MB	3X-MS310-CA
512MB	3X-MS310-DA
1GB	3X-MS310-EA

## Power cords

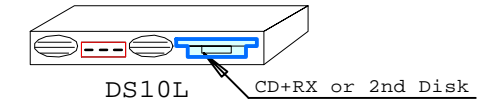
BN19C-2E	Europe
BN19A-2E	GB
BN19E-2E	CH
BN19K-2E	DK
BN19M-2E	I

Generated with fresh GOLDEN EGGS Software, Rev:21-Mar-2000



### Mandatory options:

- System Disk, IDE or SCSI
- Drop cable



### Licenses included:

- Tru64 UNIX V4.0F, Base license, Unlimited User license, Server Extension license, and Internet Access Software license and Netscape's Enterprise Server.
- OpenVMS V7.2-1, Base license and DIGITAL Enterprise Integration Package.

@466MHz

SPECint95	24
SPECfp95	47

Software Processor Code: E

<b>COMPAQ</b>	23-Mar-2000	GEADS10L1
	Matti.Patari@compaq.com	

# DS10L

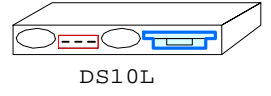
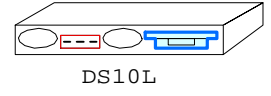
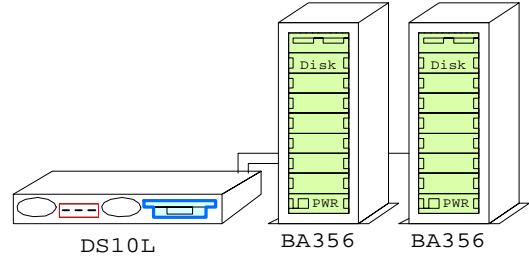
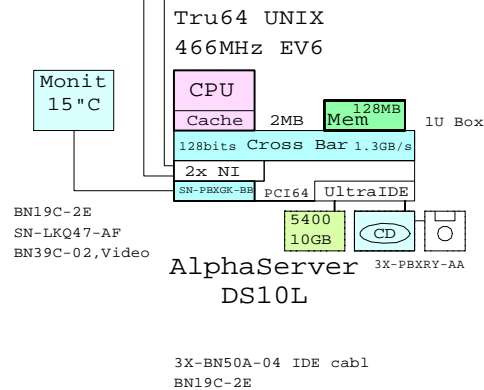
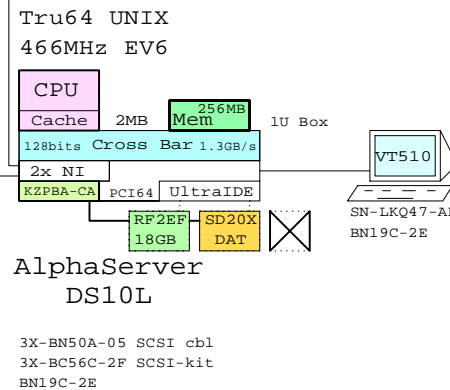
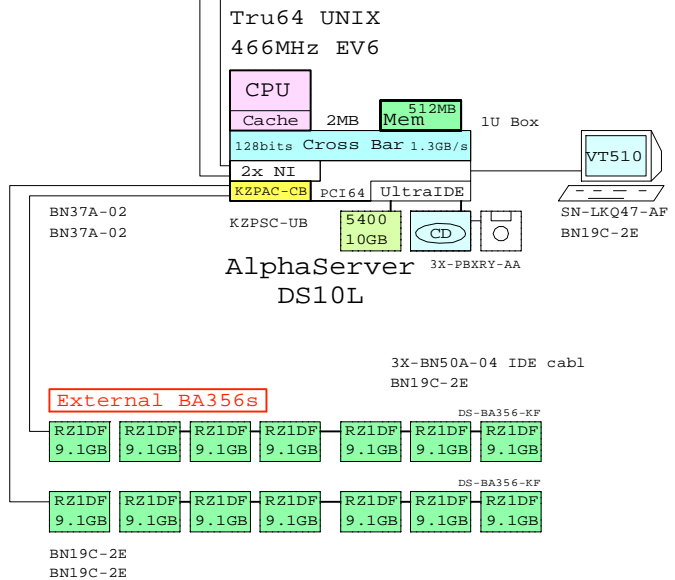
AlphaServer DS10L Systems  
GOLDEN EGGS Visuals, Helsinki

Ethernet  
Ethernet

DS10L UNIX with External SCSI RAID

DS10L UNIX, SCSI, One-box

DS10L UNIX, IDE, One-box



Bill of material

	Part Number	Qty	Description
1	DA-71AAA-DA	1	AS DS10L 6/466 256MB UNIX
1.1	3X-SD20X-LB	1	20/40GB DAT tape drive, blue
1.2	DS-RZ2EF-WA	1	18GB 10000RPM UltraSCSI Disk
1.3	KZPBA-CA	1	PCI to UltraSCSI Adapter UWSE
2	VT510-A4	1	Text Terminal WH Intl No-hemi
3	3X-BC56C-2F	1	DS20E SCSI Cable Kit
4	3X-BN50A-05	1	One drop SCSI cable,LED
5	SN-LKQ47-AF	1	102 KEY KYBD, NON-WIN, Finnish
6	BN19C-2E	2	PowerCable 240V, C-Europe

Bill of material

	Part Number	Qty	Description
1	DA-71AAA-EA	1	AS DS10L 6/466 512MB UNIX
1.1	3X-PBXRY-AA	1	Diskette/ 24x CD-ROM Combo
1.2	3X-RE56A-AA	1	DS10 10GB 5400 IDE-disk drive
1.3	KZPAC-CB	1	3 Chan. SCSI RAID 8MB UltraW
1.4	KZPSC-UB	1	Battery Backup for KZPSC
2	DS-BA356-KF	1	Pedestal Storage, Ultraw, Single-Bus
2.1	DS-RZ1DF-VW	7	9.1GB 7200 UltraSCSI 16bit
3	DS-BA356-KF	1	Pedestal Storage, Ultraw, Single-Bus
3.1	DS-RZ1DF-VW	7	9.1GB 7200 UltraSCSI 16bit
4	VT510-A4	1	Text Terminal WH Intl No-hemi
5	3X-BN50A-04	1	One drop IDE cable
6	SN-LKQ47-AF	1	102 KEY KYBD, NON-WIN, Finnish
7	BN19C-2E	4	PowerCable 240V, C-Europe
8	BN37A-02	2	Ultra Cbl VHDCI - VHDCI

Bill of material

	Part Number	Qty	Description
1	DA-71AAA-CA	1	AS DS10L 6/466 128MB UNIX
1.1	3X-PBXRY-AA	1	Diskette/ 24x CD-ROM Combo
1.2	3X-RE56A-AA	1	DS10 10GB 5400 IDE-disk drive
1.3	SN-PBXGK-BB	1	Elsa Gloria Synergy 8M Video Graphics
2	3R-VRQV5-24	1	COMPAQ V55 CLR MON,NH,TCO95
3	3X-BN50A-04	1	One drop IDE cable
4	BN39C-02	1	1.8 Video Extension Cable ****
5	SN-LKQ47-AF	1	102 KEY KYBD, NON-WIN, Finnish
6	BN19C-2E	2	PowerCable 240V, C-Europe

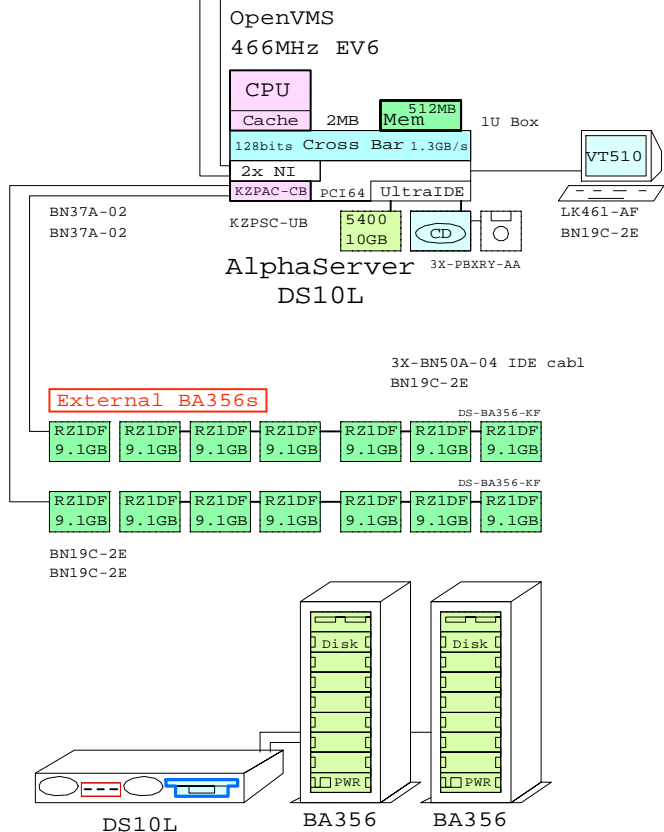
<b>COMPAQ</b>	24-Mar-2000	GTAUDS10L1
	Matti.Patari@Compaq.com	
AlphaServer DS10L UNIX systems		
GOLDEN EGGS Visuals, Helsinki		

This template is included in the present GOLDEN EGGS Software kit.

DS10L UNIX

Ethernet  
Ethernet

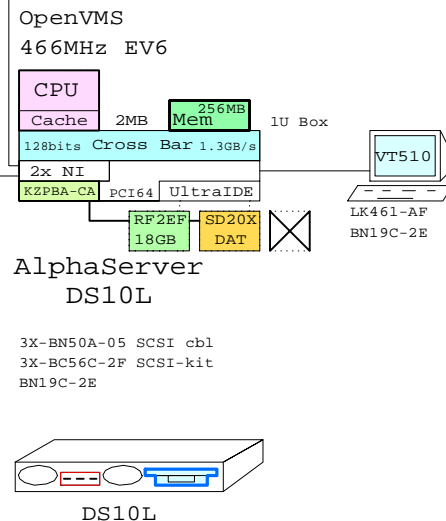
DS10L OpenVMS with External SCSI RAID



Bill of material

Part Number	Qty	Description
1	1	DY-71AAA-EA 1 AS DS10L 6/466 512MB OVMS
1.1	1	3X-PBXRY-AA 1 Diskette/ 24x CD-ROM Combo
1.2	1	3X-RE56A-AA 1 DS10 10GB 5400 IDE-disk drive
1.3	1	KZPAC-CB 1 3 Chan. SCSI RAID 8MB UltraW
1.4	1	KZPSC-UB 1 Battery Backup for KZPSC
2	1	DS-BA356-KF 1 Pedestal Storage, UltraW, Single-Bus
2.1	7	DS-RZ1DF-VW 7 9.1GB 7200 UltraSCSI 16bit
3	1	DS-BA356-KF 1 Pedestal Storage, UltraW, Single-Bus
3.1	7	DS-RZ1DF-VW 7 9.1GB 7200 UltraSCSI 16bit
4	1	VT510-A4 1 Text Terminal WH Intl No-hemi
5	1	3X-BN50A-04 1 One drop IDE cable
6	4	BN19C-2E 4 PowerCable 240V, C-Europe
7	2	BN37A-02 2 Ultra Cbl VHDCI - VHDCI
8	1	LK461-AF 1 VMS STYLE KEYBOARD, Fin/Swed

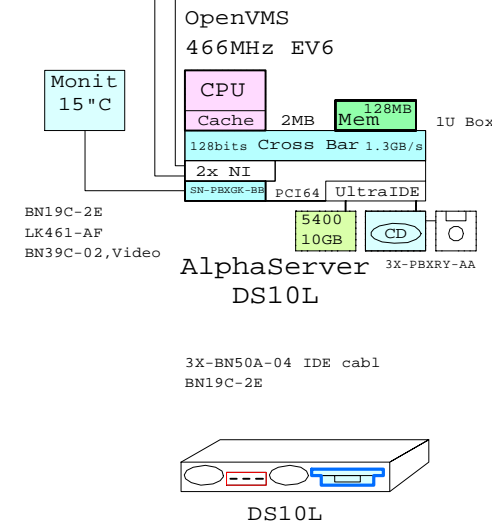
DS10L OpenVMS, SCSI, One-box



Bill of material

Part Number	Qty	Description
1	1	DY-71AAA-DA 1 AS DS10L 6/466 256MB OVMS
1.1	1	3X-SD20X-LB 1 20/40GB DAT tape drive, blue
1.2	1	DS-RZ2EF-WA 1 18GB 10000RPM UltraSCSI Disk
1.3	1	KZPBA-CA 1 PCI to UltraSCSI Adapter UWSE
2	1	VT510-A4 1 Text Terminal WH Intl No-hemi
3	1	3X-BC56C-2F 1 DS20E SCSI Cable Kit
4	1	3X-BN50A-05 1 One drop SCSI cable,LED
5	2	BN19C-2E 2 PowerCable 240V, C-Europe
6	1	LK461-AF 1 VMS STYLE KEYBOARD, Fin/Swed

DS10L OpenVMS, IDE, One-box



Bill of material

Part Number	Qty	Description
1	1	DY-71AAA-CA 1 AS DS10L 6/466 128MB OVMS
1.1	1	3X-PBXRY-AA 1 Diskette/ 24x CD-ROM Combo
1.2	1	3X-RE56A-AA 1 DS10 10GB 5400 IDE-disk drive
1.3	1	SN-PBXGK-BB 1 Elsa Gloria Synergy 8M Video Graphics
2	1	3R-VRQV5-24 1 COMPAQ V55 CLR MON,NH,TCO95
3	1	3X-BN50A-04 1 One drop IDE cable
4	1	BN39C-02 1 1.8 Video Extension Cable ****
5	2	BN19C-2E 2 PowerCable 240V, C-Europe
6	1	LK461-AF 1 VMS STYLE KEYBOARD, Fin/Swed

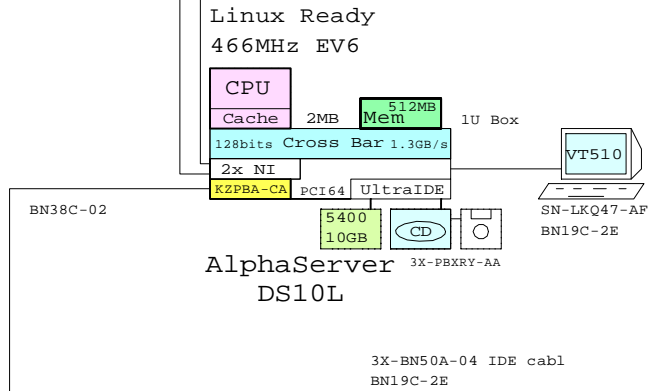
This template is included in the present GOLDEN EGGS Software kit.

DS10L OVMS

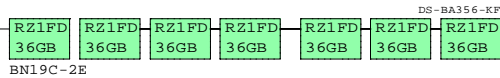
<b>COMPAQ</b>	24-Mar-2000	GTAVDS10L1
	Matti.Patari@Compaq.com	
AlphaServer DS10L OVMS systems		
GOLDEN EGGS Visuals, Helsinki		

Ethernet  
Ethernet

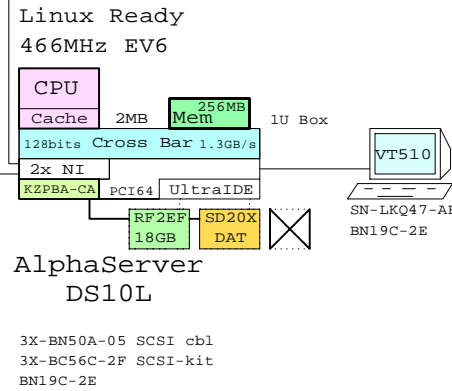
DS10L Linux with External storage



External BA356

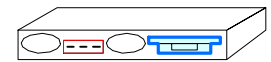
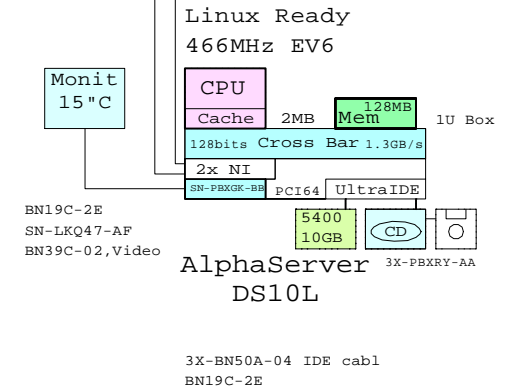


DS10L Linux, SCSI, One-box



DS10L

DS10L Linux, IDE, One-box



DS10L

Bill of material

	Part Number	Qty	Description
1	DJ-71AAA-DA	1	AS DS10L 6/466 256MB Linux Ready
1.1	3X-SD20X-LB	1	20/40GB DAT tape drive, blue
1.2	DS-RZ2EF-WA	1	18GB 10000RPM UltraSCSI Disk
1.3	KZPBA-CA	1	PCI to UltraSCSI Adapter UWSE
2	VT510-A4	1	Text Terminal WH Intl No-hemi
3	3X-BC56C-2F	1	DS20E SCSI Cable Kit
4	3X-BN50A-05	1	One drop SCSI cable,LED
5	SN-LKQ47-AF	1	102 KEY KYBD, NON-WIN, Finnish
6	BN19C-2E	2	PowerCable 240V, C-Europe

Bill of material

	Part Number	Qty	Description
1	DJ-71AAA-EA	1	AS DS10L 6/466 512MB Linux Ready
1.1	3X-PBXRY-AA	1	Diskette/ 24x CD-ROM Combo
1.2	3X-RE56A-AA	1	DS10 10GB 5400 IDE-disk drive
1.3	KZPBA-CA	1	PCI to UltraSCSI Adapter UWSE
2	DS-BA356-KF	1	Pedestal Storage, UltraW, Single-Bus
2.1	DS-RZ1FD-VW	7	36GB 10000r UltraSCSI Disk
3	VT510-A4	1	Text Terminal WH Intl No-hemi
4	3X-BN50A-04	1	One drop IDE cable
5	SN-LKQ47-AF	1	102 KEY KYBD, NON-WIN, Finnish
6	BN19C-2E	3	PowerCable 240V, C-Europe
7	BN38C-02	1	Ultra Cbl VHDCI - 68HD

Bill of material

	Part Number	Qty	Description
1	DJ-71AAA-CA	1	AS DS10L 6/466 128MB Linux Ready
1.1	3X-PBXRY-AA	1	Diskette/ 24x CD-ROM Combo
1.2	3X-RE56A-AA	1	DS10 10GB 5400 IDE-disk drive
1.3	SN-PBXGK-BB	1	Elsa Gloria Synergy 8M Video Graphics
2	3R-VRQV5-24	1	COMPAQ V55 CLR MON,NH,TCO95
3	3X-BN50A-04	1	One drop IDE cable
4	BN39C-02	1	1.8 Video Extension Cable ****
5	SN-LKQ47-AF	1	102 KEY KYBD, NON-WIN, Finnish
6	BN19C-2E	2	PowerCable 240V, C-Europe

**COMPAQ** 23-Mar-2000 GTALDS10L1  
Matti.Patari@Compaq.com

AlphaServer DS10L Linux system  
GOLDEN EGGS Visuals, Helsinki

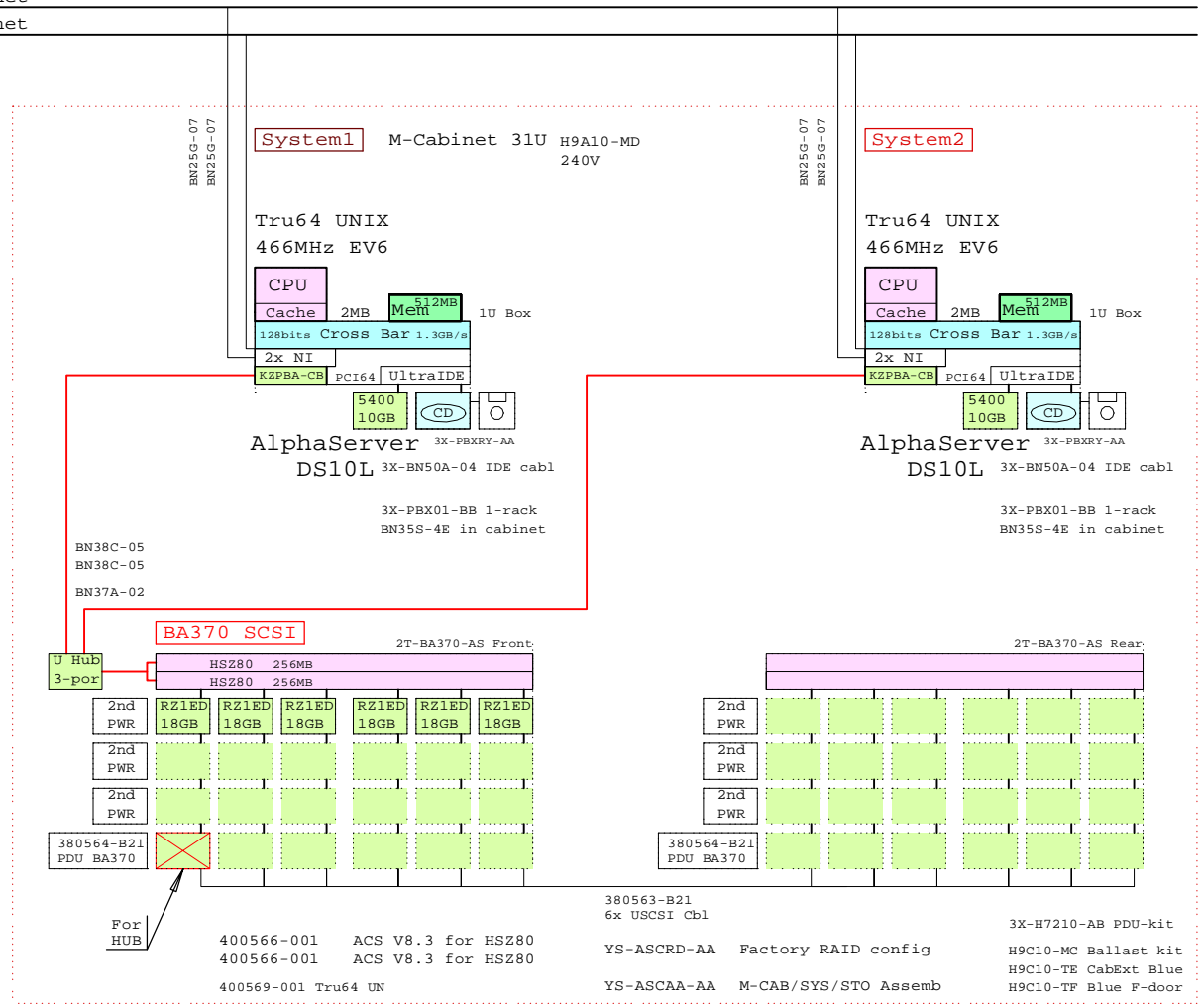
This template is included in the present GOLDEN EGGS Software kit.

DS10L Linux



DS10L UNIX Cluster with in-cabinet RAID storage

Ethernet  
Ethernet



BOM for this cabinet system

	Part Number	Qty	Description
1	H9A10-MD	1	M-Series Cab,H9A10,Blue,240V 31U
1.1	2T-BA370-AR	1	BA370 shelf,slides Rear RackMount
1.1.1	380564-B21	1	Power Distribution Unit RA8k/7k
1.1.2	380565-B21	3	Power Suply 180W Hot Plug SBB
1.2	2T-BA370-AS	1	BA370 shelf,slides Front RackMount
1.2.1	380564-B21	1	Power Distribution Unit RA8k/7k
1.2.2	380565-B21	3	Power Suply 180W Hot Plug SBB
1.2.3	400565-B21	2	Ultra Opt.1 cont w 2x128MB cache HSZ80
1.2.4	DS-DWZZH-03	1	Uscai Act hub 0 SE:3/Dif 3.5" SBB
1.2.5	DS-RZ1ED-VW	6	18.2GB 10000r UltraSCSI disk
1.3	380563-B21	1	Set of six USCSI cables
1.4	3X-H7210-AB	1	PDU Fan Cable mgt kit Europe
1.5	3X-PBX01-BB	2	Single rack kit for DS10L
1.6	400566-001	2	HSZ80 Controller Software ACS V8.3
1.7	400569-001	1	Ultra opt OS Software Tru64 UNIX
1.8	BN25G-07	4	17-03212-05 8MP-8MP PATCH CBL
1.9	BN35S-4E	2	PowerCord C13 to C14, Non US
1.10	BN37A-02	1	Ultra Cbl VHDCI - VHDCI
1.11	BN38C-05	2	Ultra Cbl VHDCI - 68HD
1.12	DA-71AAA-EA	1	AS DS10L 6/466 512MB UNIX
1.12.1	3X-BN50A-04	1	One drop IDE cable
1.12.2	3X-PBXRY-AA	1	Diskette/ 24x CD-ROM Combo
1.12.3	3X-RE56A-AA	1	DS10 10GB 5400 IDE-disk drive
1.12.4	KZPBA-CB	1	PCI to UltraSCSI Adapter UWdif
1.13	DA-71AAA-EA	1	AS DS10L 6/466 512MB UNIX
1.13.1	3X-BN50A-04	1	One drop IDE cable
1.13.2	3X-PBXRY-AA	1	Diskette/ 24x CD-ROM Combo
1.13.3	3X-RE56A-AA	1	DS10 10GB 5400 IDE-disk drive
1.13.4	KZPBA-CB	1	PCI to UltraSCSI Adapter UWdif
1.14	H9C10-MC	1	Ballast Kit for cabinets
1.15	H9C10-TE	1	Rear cab extender for H9A10 Blue
1.16	H9C10-TF	1	FrontDoorKit Blue for H9A10
1.17	YS-ASCAA-AA	1	M-CAB/SYS/STO Assembly
1.18	YS-ASCRD-AA	1	Factory configured RAID sets

This template is included in the present GOLDEN EGGS Software kit.

DS10L UNIX

<b>COMPAQ</b>	23-Mar-2000	GTAUDS10L2
	Matti.Patari@Compaq.com	
AlphaServer DS10L UNIX Cluster GOLDEN EGGS Visuals, Helsinki		



# AlphaServer DS10 6/466 Systems

Order number	Operating system	Server systems, 64bits 466MHz
#1 DA-PB10A- -AB 128MB -AC 256MB -AD 512MB	Tru64 UNIX	(Disk) RX,CD,NI,(Graphics)
DY-PB10A-**	OpenVMS	(Disk) RX,CD,NI,(Graphics)
DJ-PB10A-B*	Linux	(Disk) RX,CD,NI,(Graphics)

#2 Select a system disk, SCSI adapter and cable kit.

#3 SVGA color monitor      #4 For 240V, select 2x power cords and one keyboard.

15" 3R-VRQV5-24/11 17" SN-VRQP7-24/23 North/South BN39C-02 2m ext.cable	SN-LKQ47 -AE GB -AG G -AM S UNIX,Lin -AB B -AH NL -AN N LK461 -AD DK -AI I -AP F OVMS -AF FI -AK CH -AS E	BN19C-2E Europe BN19A-2E GB BN19E-2E CH BN19K-2E DK BN19M-2E I
--	--	--

## Internal options

### Memory expansion

3X-MS310-AA 64MB	Max memory
3X-MS310-BA 128MB	
3X-MS310-CA 256MB	
3X-MS310-DA 512MB	

### Internal storage

#### Tape storage

TLZ10-LB	12/24GB DAT SCSI tape
SN-PBXKP-BA	Wide to narrow adapt
KZPBA-CA	UltraSCSI SE adapter

#### Disk storage

3X-RE56A-AA	10GB IDE disk 5400
3X-BN50A-01	SCSI Cable kit
DS-RZ2DA-WA	9.1GB USCSI disk 7200
DS-RZ1DD-WA	9.1GB USCSI disk 10000
DS-RZ2EA-WA	18 GB USCSI disk 7200
KZPAC-CB	RAID 3-port, 8MB cache
KZPSC-UB	Cache battery
3X-PBX01-AB	H9Axx Cabinet shelf kit

### Adapters

SN-PBXGK-BB	ELSA Gloria Syn. 8MB
DE500-BA	Fast Ethernet 10/100
DEFPA-AB	FDDI adapter,SAS MMF
KZPBA-CB	UltraSCSI Diff, 68HD

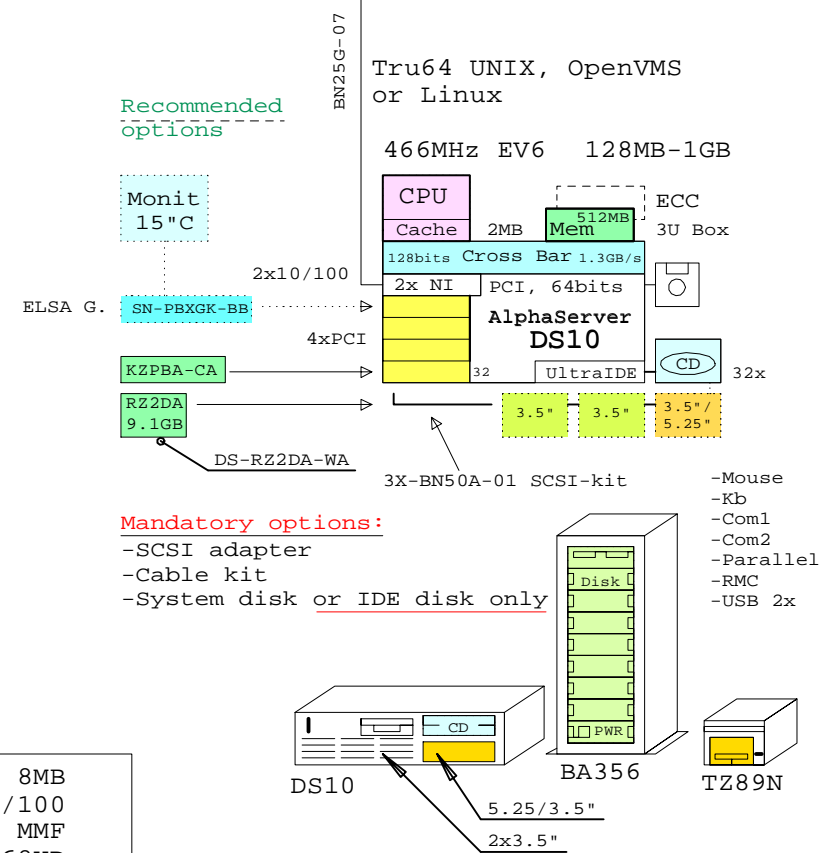
### External options

#### Tape storage

DS-TZ89N-TA	35/70GB DLT tape,TT
BN21K-02	SCSI cable, FWD
BN19C-2E	Power cord, Europe
KZPBA-CA	UltraSCSI SE adapter

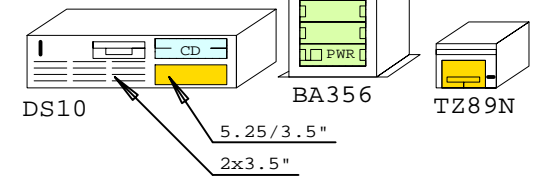
#### Disk storage

DS-BA356-KF	Pedestal, single bus
DS-BA356-KG	Pedestal, split bus
BN37A-02	2m SCSI,VHDCI-VHDCI
BN19C-2E	Power cord, Europe
KZPAC-AA	RAID 1-port, 4Mbcache
DS-RZ1DA-VW	9.1GB UltraSCSI disk
DS-RZ1EA-VW	18 GB UltraSCSI disk



### Mandatory options:

- SCSI adapter
- Cable kit
- System disk or IDE disk only
- Mouse
- Kb
- Com1
- Com2
- Parallel
- RMC
- USB 2x



### Licenses included:

- Tru64 UNIX V4.0F, Base license, Unlimited User license, Server Extension license, and Internet Access Software license and Netscape's Enterprise Server.
- OpenVMS V7.1-2, Base license and DIGITAL Enterprise Integration Package.

@466MHz

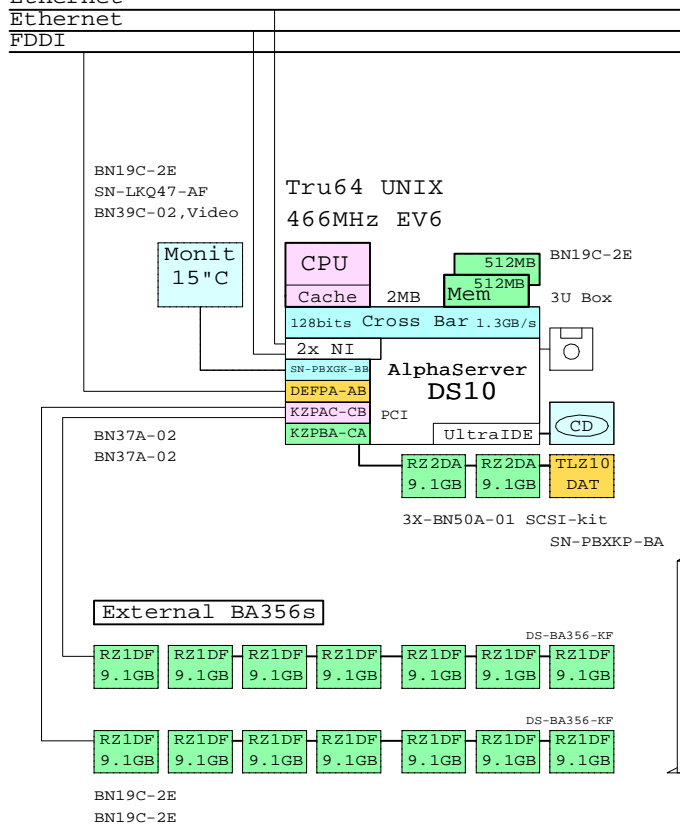
SPECint95	24
SPECfp95	45

Software Processor Code: E

<b>COMPAQ</b>	22-Oct-1999	GEADS101
	www.digital.com/golden-eggs	

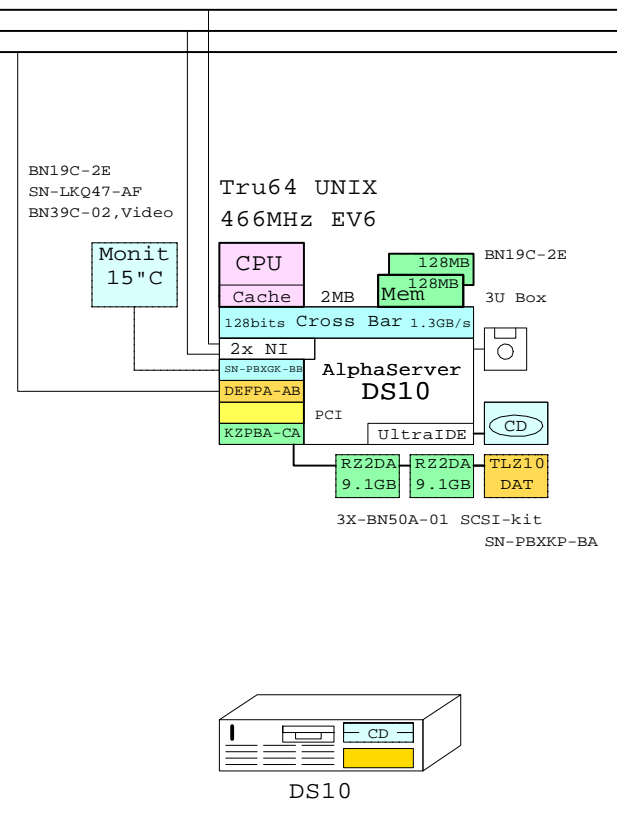
Compaq AlphaServer DS10 Systems  
GOLDEN EGGS Visual Configurations, Helsinki

Ethernet DS10 UNIX Uscsi-based + External RAID



QA-054AA-H8 SW LP PKG U/A CDRM/D  
 QA-MT4AA-GZ Dig UNIX Alpha DOC F  
 QA-MT4AA-H8 Dig UNIX Alpha CDROM

DS10 UNIX One-box



Bill of Material for Uscsi-system

Part Number	Qty	Description
1	1	DA-PB10A-AD 1 AS DS10 6/466 512MB UNIX
1.1	1	3R-VRQV5-24 1 COMPAQ V55 CLR MON,NH,TCO95
1.2	1	3X-MS310-DA 1 DS10 512MB DIMM MEM
1.3	1	BN19C-2E 1 PowerCable 240V, C-Europe
1.4	1	BN39C-02 1 1.8 Video Extension Cable ****
1.5	1	DEFFPA-AB 1 PCI to FDDI SAS
1.6	2	DS-RZ2DA-WA 2 9.1GB 7200RPM UltraSCSI Disk
1.7	1	KZPAC-CB 1 3 Chan. SCSI RAID 8MB UltraW
1.8	1	KZPBA-CA 1 PCI to UltraSCSI Adapter UWSE
1.9	1	SN-PBXGK-BB 1 Elsa Gloria Synergy 8M Video Graphics
1.10	1	TLZ10-LB 1 12/24GB 4mm DAT 5.25" HH
2	1	DS-BA356-KF 1 Pedestal Storage, UltraW, Single-Bus
2.1	7	DS-RZ1DF-VW 7 9.1GB 7200 UltraSCSI 16bit
3	1	DS-BA356-KF 1 Pedestal Storage, UltraW, Single-Bus
3.1	7	DS-RZ1DF-VW 7 9.1GB 7200 UltraSCSI 16bit
4	1	3X-BN50A-01 1 DS10/VS10 SCSI Cable Kit
5	1	SN-LKQ47-AF 1 102 KEY KYBD, NON-WIN, Finnish
6	1	SN-PBXKP-BA 1 WIDE TO NARROW SCSI ADAPTER
7	3	BN19C-2E 3 PowerCable 240V, C-Europe
8	2	BN37A-02 2 Ultra Cbl VHDCI - VHDCI

Bill of Material for one-box system

Part Number	Qty	Description
1	1	DA-PB10A-AB 1 AS DS10 6/466 128MB UNIX
1.1	1	3R-VRQV5-24 1 COMPAQ V55 CLR MON,NH,TCO95
1.2	1	3X-MS310-BA 1 DS10 128MB DIMM MEM
1.3	1	BN19C-2E 1 PowerCable 240V, C-Europe
1.4	1	BN39C-02 1 1.8 Video Extension Cable ****
1.5	1	DEFFPA-AB 1 PCI to FDDI SAS
1.6	2	DS-RZ2DA-WA 2 9.1GB 7200RPM UltraSCSI Disk
1.7	1	KZPBA-CA 1 PCI to UltraSCSI Adapter UWSE
1.8	1	SN-PBXGK-BB 1 Elsa Gloria Synergy 8M Video Graphics
1.9	1	TLZ10-LB 1 12/24GB 4mm DAT 5.25" HH
2	1	3X-BN50A-01 1 DS10/VS10 SCSI Cable Kit
3	1	SN-LKQ47-AF 1 102 KEY KYBD, NON-WIN, Finnish
4	1	SN-PBXKP-BA 1 WIDE TO NARROW SCSI ADAPTER
5	1	BN19C-2E 1 PowerCable 240V, C-Europe

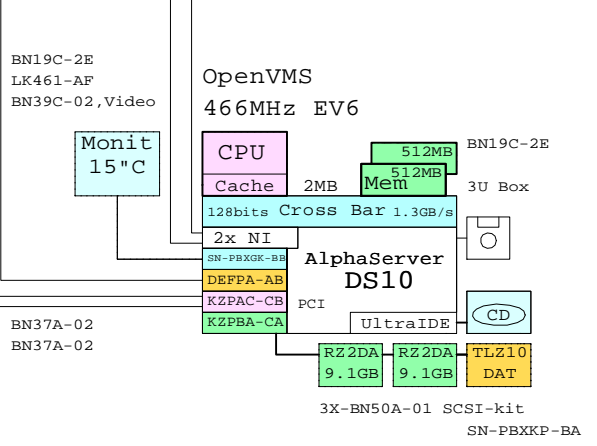
This template is included in the present GOLDEN EGGS Software kit.

DS10 UNIX

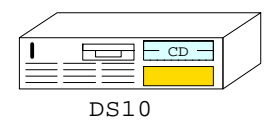
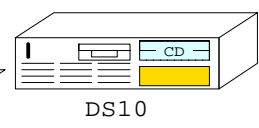
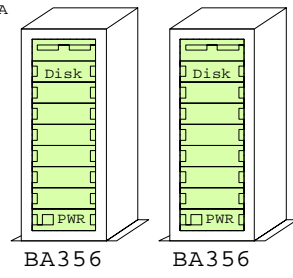
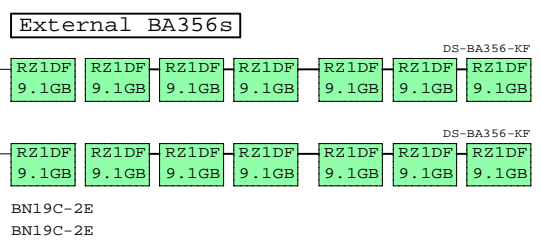
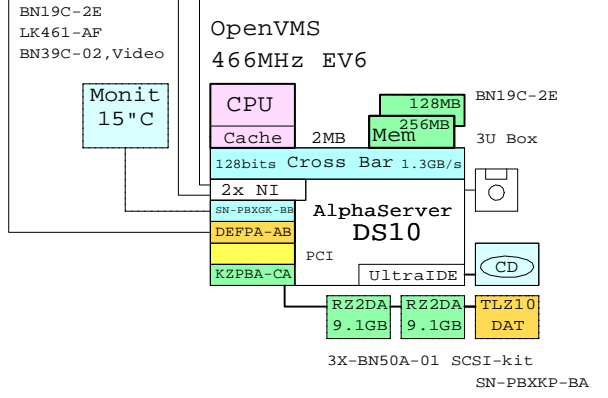
<b>COMPAQ</b>	25-Oct-1999	GTAUDS101
	www.digital.com/golden-eggs	
AlphaServer DS10 UNIX systems		
GOLDEN EGGS Visual Configurations, Helsinki		

Ethernet DS10 OpenVMS Uscsi-based + External RAID  
 Ethernet  
 FDDI

DS10 OpenVMS One-box



QA-001AA-GZ OVMS Full Documentat  
 QA-03XAA-H8 SW LP PKG V/A DOC CD  
 QA-MT1AA-H8 OVMS Alpha Bin+Onlin



Bill of Material for Uscsi-system

	Part Number	Qty	Description
1	DY-PB10A-AD	1	AS DS10 6/466 512MB OVMS
1.1	3R-VRQV5-24	1	COMPAQ V55 CLR MON,NH,TC095
1.2	3X-MS310-DA	1	DS10 512MB DIMM MEM
1.3	BN19C-2E	1	PowerCable 240V, C-Europe
1.4	BN39C-02	1	1.8 Video Extension Cable ****
1.5	DEFFA-AB	1	PCI to FDDI SAS
1.6	DS-RZ2DA-WA	2	9.1GB 7200RPM UltraSCSI Disk
1.7	KZPAC-CB	1	3 Chan. SCSI RAID 8MB UltraW
1.8	KZPBA-CA	1	PCI to UltraSCSI Adapter UWSE
1.9	SN-PBXGK-BB	1	Elsa Gloria Synergy 8M Video Graphics
1.10	TLZ10-LB	1	12/24GB 4mm DAT 5.25" HH
2	DS-BA356-KF	1	Pedestal Storage, UltraW, Single-Bus
2.1	DS-RZ1DF-VW	7	9.1GB 7200 UltraSCSI 16bit
3	DS-BA356-KF	1	Pedestal Storage, UltraW, Single-Bus
3.1	DS-RZ1DF-VW	7	9.1GB 7200 UltraSCSI 16bit
4	3X-BN50A-01	1	DS10/VS10 SCSI Cable Kit
5	SN-PBXKP-BA	1	WIDE TO NARROW SCSI ADAPTER
6	BN19C-2E	3	PowerCable 240V, C-Europe
7	BN37A-02	2	Ultra Cbl VHDCI - VHDCI
8	LK461-AF	1	VMS STYLE KEYBOARD, Fin/Swed

Bill of Material for One-box system

	Part Number	Qty	Description
1	DY-PB10A-AC	1	AS DS10 6/466 256MB OVMS
1.1	3R-VRQV5-24	1	COMPAQ V55 CLR MON,NH,TC095
1.2	3X-MS310-BA	1	DS10 128MB DIMM MEM
1.3	BN19C-2E	1	PowerCable 240V, C-Europe
1.4	BN39C-02	1	1.8 Video Extension Cable ****
1.5	DEFFA-AB	1	PCI to FDDI SAS
1.6	DS-RZ2DA-WA	2	9.1GB 7200RPM UltraSCSI Disk
1.7	KZPBA-CA	1	PCI to UltraSCSI Adapter UWSE
1.8	SN-PBXGK-BB	1	Elsa Gloria Synergy 8M Video Graphics
1.9	TLZ10-LB	1	12/24GB 4mm DAT 5.25" HH
2	3X-BN50A-01	1	DS10/VS10 SCSI Cable Kit
3	SN-PBXKP-BA	1	WIDE TO NARROW SCSI ADAPTER
4	BN19C-2E	1	PowerCable 240V, C-Europe
5	LK461-AF	1	VMS STYLE KEYBOARD, Fin/Swed

**COMPAQ** 25-Oct-1999 GTAVIDS101  
 www.digital.com/golden-eggs

AlphaServer DS10 OpenVMS systems  
 GOLDEN EGGS Visual Configurations, Helsinki

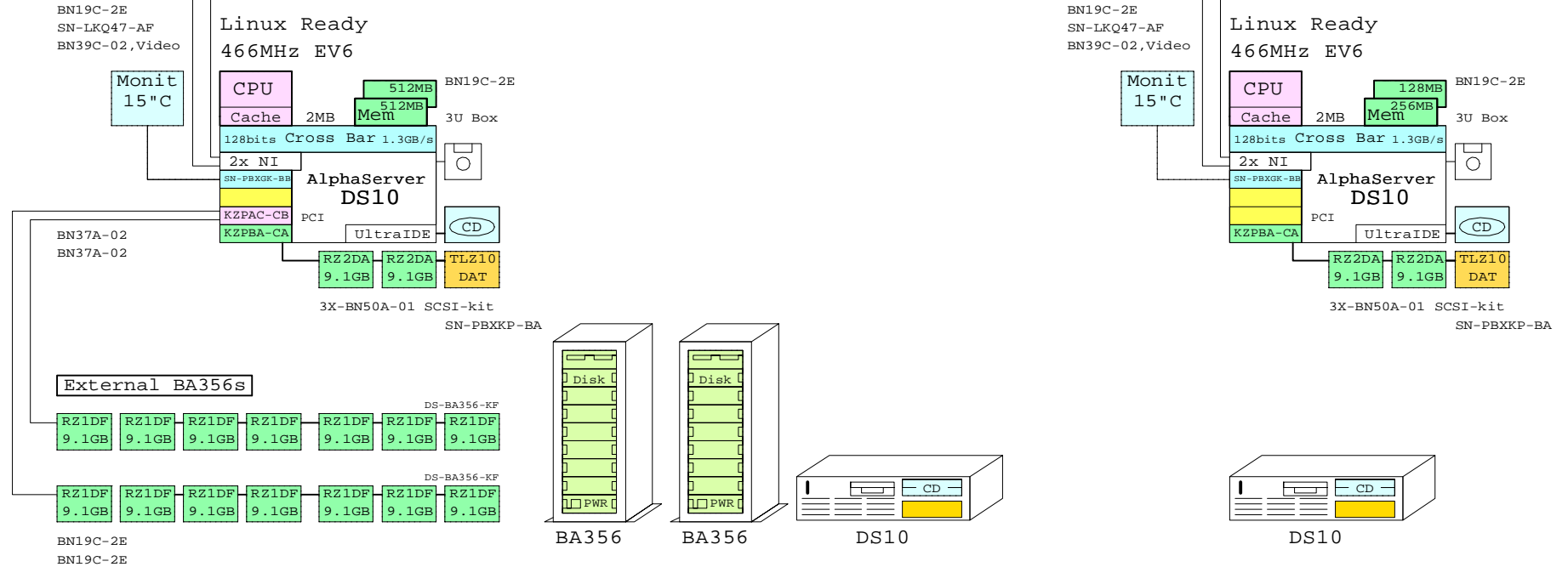
This template is included in the present GOLDEN EGGS Software kit.

DS10 OVMS

Ethernet  
Ethernet

DS10 Linux Ready Uscsi-based + External RAID

DS10 Linux Ready One-box



Bill of Material for Uscsi-system

Part Number	Qty	Description
DJ-PB10A-BD	1	AS DS10 6/466 512MB Linux Ready
1.1	3R-VRQV5-24	1 COMPAQ V55 CLR MON,NH,TCO95
1.2	3X-MS310-DA	1 DS10 512MB DIMM MEM
1.3	BN19C-2E	1 PowerCable 240V, C-Europe
1.4	BN39C-02	1 1.8 Video Extension Cable ****
1.5	DS-RZ2DA-WA	2 9.1GB 7200RPM UltraSCSI Disk
1.6	KZPAC-CB	1 3 Chan. SCSI RAID 8MB UltraW
1.7	KZPBA-CA	1 PCI to UltraSCSI Adapter UWSE
1.8	SN-PBXGK-BB	1 Elsa Gloria Synergy 8M Video Graphics
1.9	TLZ10-LB	1 12/24GB 4mm DAT 5.25" HH
2	DS-BA356-KF	1 Pedestal Storage, UltraW, Single-Bus
2.1	DS-RZ1DF-VW	7 9.1GB 7200 UltraSCSI 16bit
3	DS-BA356-KF	1 Pedestal Storage, UltraW, Single-Bus
3.1	DS-RZ1DF-VW	7 9.1GB 7200 UltraSCSI 16bit
4	3X-BN50A-01	1 DS10/VS10 SCSI Cable Kit
5	SN-LKQ47-AF	1 102 KEY KYBD, NON-WIN, Finnish
6	SN-PBXKP-BA	1 WIDE TO NARROW SCSI ADAPTER
7	BN19C-2E	3 PowerCable 240V, C-Europe
8	BN37A-02	2 Ultra Cbl VHDCI - VHDCI

Bill of Material for one-box system

Part Number	Qty	Description
DJ-PB10A-BC	1	AS DS10 6/466 256MB Linux Ready
1.1	3R-VRQV5-24	1 COMPAQ V55 CLR MON,NH,TCO95
1.2	3X-MS310-BA	1 DS10 128MB DIMM MEM
1.3	BN19C-2E	1 PowerCable 240V, C-Europe
1.4	BN39C-02	1 1.8 Video Extension Cable ****
1.5	DS-RZ2DA-WA	2 9.1GB 7200RPM UltraSCSI Disk
1.6	KZPBA-CA	1 PCI to UltraSCSI Adapter UWSE
1.7	SN-PBXGK-BB	1 Elsa Gloria Synergy 8M Video Graphics
1.8	TLZ10-LB	1 12/24GB 4mm DAT 5.25" HH
2	3X-BN50A-01	1 DS10/VS10 SCSI Cable Kit
3	SN-LKQ47-AF	1 102 KEY KYBD, NON-WIN, Finnish
4	SN-PBXKP-BA	1 WIDE TO NARROW SCSI ADAPTER
5	BN19C-2E	1 PowerCable 240V, C-Europe

**COMPAQ** 25-Oct-1999 GTALDS10  
www.digital.com/golden-eggs

AlphaServer DS10 Linux systems  
GOLDEN EGGS Visual Configurations, Helsinki

This template is included in the present GOLDEN EGGS Software kit.

DS10 Linux

# AlphaServer DS20E 67/667 Systems

Order number	Operating system	Server systems, 64bits 667MHz
<b>#1</b> DA-56PAA- -DA 256MB -EA 512MB -FA 1GB	DIGITAL UNIX	(Disk) RX,CD (NI SVGA)
DY-56PAA-**	OpenVMS	(Disk) RX,CD (NI SVGA)
DJ-56PAA-**	Linux Ready	(Disk) RX,CD (NI SVGA)
<b>#2 Tower system</b>		<b>#2 Cabinet system</b>
3X-BA56P-PB Tower kit		3X-BA56R-RC Rack mount kit
3X-BA611-4D Disk drive cage		3X-BA611-4D Disk drive cage
3R-A0561-AA Disk drive, 18GB		3R-A0561-AA Disk drive, 18GB
3X-KZPCA-AA Ultra2 SCSI adapter		3X-KZPCA-AA Ultra2 SCSI adapter
3X-DE600-AA Ethernet adapter		3X-DE600-AA Ethernet adapter
BN25G-10 Cable twisted, 10m		BN25G-10 Cable twisted, 10m
SN-PBXGK-BB Elsa Gloria 8MB		SN-PBXGK-BB Elsa Gloria 8MB
BN19C-2E Power cord		BN35S-4E CPU power cord for cab
		H9A15-MC/MD Cabinet 120V/240V 38U
		H9C15-TE Cabinet rear extender
		H9C15-TF Cabinet front door
		H9C10-MC Ballast kit 40lbs
		YS-ASCAA-AA Factory integration

## #3 SVGA color monitor #4 Select a keyboard and one powercord for pedestal.

15" 3R-VRQV5-24/11	
17" 3R-VRQP7-24/23	
BN39C-02 2m ext.cable	North/South

SN-LKQ47 UNIX, Lin	-AE GB	-AG G	-AM S
	-AB B	-AH NL	-AN N
	-AD DK	-AI I	-AP F
LK461 OVMS	-AF FI	-AK CH	-AS E

BN19C-2E Europe
BN19A-2E GB
BN19E-2E CH
BN19K-2E DK
BN19Z-2E I

### Internal options

Memory expansion		Additional CPUs		3rd Power
DIMM-kits	Max memory	KN311-BB	UNIX 667MHz	FR-H7910-AA
MS340-CA 256MB	4x 1GB =4GB	KN311-BC	OVMS 667MHz	For N+1
MS340-DA 512MB		KN311-BD	Linux 667MHz	
MS340-EA 1GB				

### Internal storage

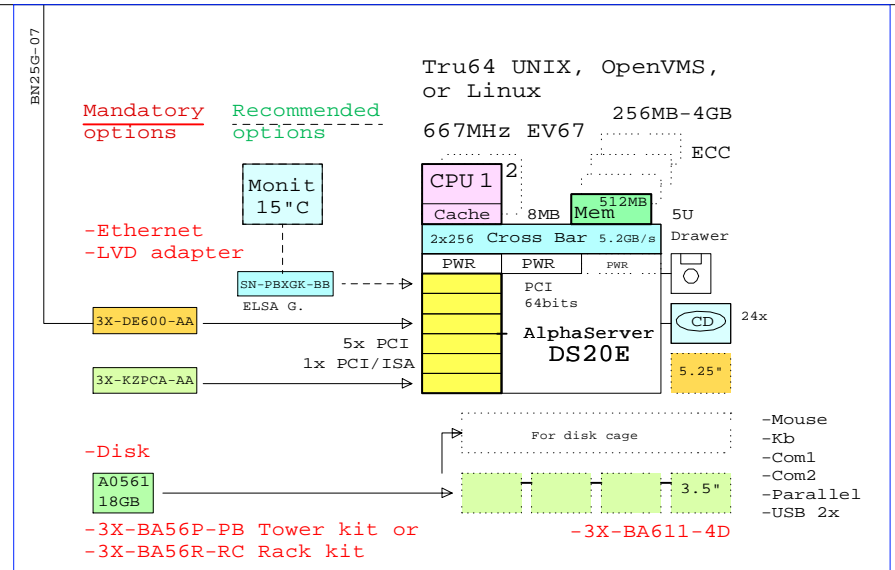
Tape storage		Disk storage	
TLZ10-LB	12/24GB DAT SCSI tape	3R-A0526-AA	9.1GB UltraSCSI disk 10k
3X-BC56C-2F	SCSI cable for tape	3R-A0561-AA	18 GB UltraSCSI disk 10k
		3X-KZPCA-AA	Dual UltraSCSI +Ethernet
		KZPBA-CA	UltraSCSI SE adapter
		BN38C-02	2m SCSI cable,68HD-VHDCI.
		KZPAC-CB	RAID 3-port, 8MB cache
		KZPSC-UB	Cache battery
		BN37A-02	2m SCSI cbl VHDCI-VHDCI.

### Controllers

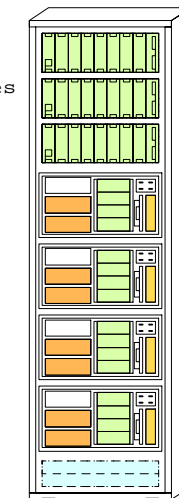
SN-PBXGK-BB	ELSA Gloria Graph. 8MB
3X-DE600-AA	Fast Ethernet 10/100
DEFPA-AB	FDDI adapter,SAS MMF
DEFPA-UB	FDDI adapter,SAS TP-PMD
KZPBA-CB	UltraSCSI Diff, 68HD

### External options

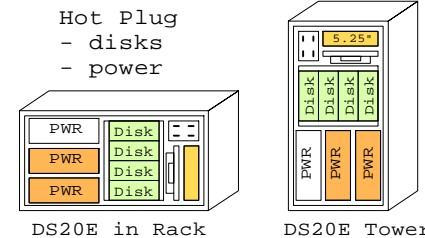
Tape storage	
DS-TZ89N-TA	35/70GB DLT tape,TT
BN21K-02	SCSI cable, FWD
BN19C-2E	Power cord, Europe
KZPBA-CA	UltraSCSI SE adapter



Shelves  
0-6  
1-6  
Sys



AlphaServer DS20E in Cabinet H9A15



### Licenses included:

- DIGITAL UNIX V4.0F, Base license, Unlimited User license, Server Extension license, and Internet Access Software license and Netscape's Enterprise Server 3.0.
- OpenVMS V7.2-1, Base license and DIGITAL Enterprise Integration Package.

	@667MHz
SPECint95	40
SPECfp95	84
SPECweb99	685
TPC	....

Software Processor Code: **E**

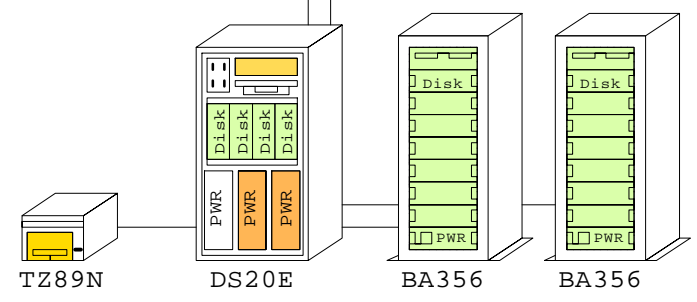
<b>COMPAQ</b>	12-Apr-2000	GEADS20E2
	Matti.Patari@compaq.com	

AlphaServer DS20E 667MHz Syst.  
GOLDEN EGGS Visuals, Helsinki

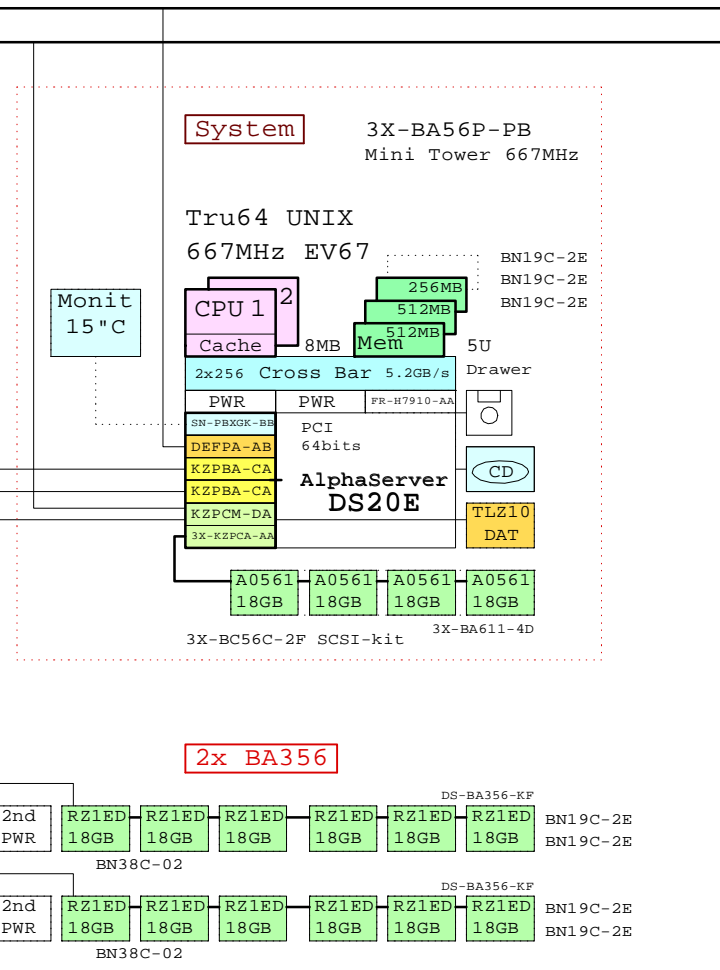
# DS20E

DS20E expanded Tru64 UNIX system

FDDI  
Ethernet



SN-LKQ47-AF  
BN39C-02, Video  
BN19C-2E



Bill of material

	Part Number	Qty	Description
1	3X-BA56P-PB	1	DS20E Mini tower pedestal kit,667MHz
1.1	3X-BC56C-2F	1	DS20E SCSI Cable Kit
1.2	BN19C-2E	3	PowerCable 240V, C-Europe
1.3	DA-56PAA-EA	1	AS DS20E 6/667 512MB,Rack,UNIX
1.3.1	3R-VROV5-24	1	COMPAQ V55 CLR MON,NH,TCO95
1.3.2	3X-BA611-4D	1	Disk Cage for DS20E, 4x disk
1.3.2.1	3R-A0561-AA	4	18.2GB 10000r Universal Disk
1.3.3	3X-KZPCA-AA	1	Single channel LVD adapter
1.3.4	DEFFA-AB	1	PCI to FDDI SAS
1.3.5	FR-H7910-AA	1	Third power supply for DS20E
1.3.6	KN311-BB	1	AS DS20E 6/667 SMP UPG UNIX
1.3.7	KZPBA-CA	2	PCI to UltraSCSI Adapter UNWSE
1.3.8	KZPCM-DA	1	Dual Uscsi with FastEther PCI
1.3.9	MS340-CA	1	DS20 256MB SDIMM MEM 4x64MB
1.3.10	MS340-DA	1	DS20 512MB SDIMM MEM 4x128MB
1.3.11	SN-PBXGK-BB	1	Elsa Gloria Synergy 8M Video Graphics
1.3.12	TLZ10-LB	1	12/24GB 4mm DAT 5.25" HH
2	DS-BA356-KF	1	Pedestal Storage, UltraW, Single-Bus
2.1	BN19C-2E	2	PowerCable 240V, C-Europe
2.2	BN38C-02	1	Ultra Cbl VHDCI - 68HD
2.3	CK-BA35X-HH	1	180W Stor.Shelf PWR for AS4x00
2.4	DS-RZ1ED-VW	6	18.2GB 10000r UltraSCSI disk
3	DS-BA356-KF	1	Pedestal Storage, UltraW, Single-Bus
3.1	BN19C-2E	2	PowerCable 240V, C-Europe
3.2	BN38C-02	1	Ultra Cbl VHDCI - 68HD
3.3	CK-BA35X-HH	1	180W Stor.Shelf PWR for AS4x00
3.4	DS-RZ1ED-VW	6	18.2GB 10000r UltraSCSI disk
4	DS-TZ89N-TA	1	35/70GB SE DLT-tape TT FWSE
5	BN39C-02	1	1.8 Video Extension Cable ****
6	SN-LKQ47-AF	1	102 KEY KYBD, NON-WIN, Finnish
7	BN19C-2E	2	PowerCable 240V, C-Europe
8	BN38C-02	1	Ultra Cbl VHDCI - 68HD

**COMPAQ** 13-Apr-2000 GTAUDS20E5  
Matti.Patari@compaq.com

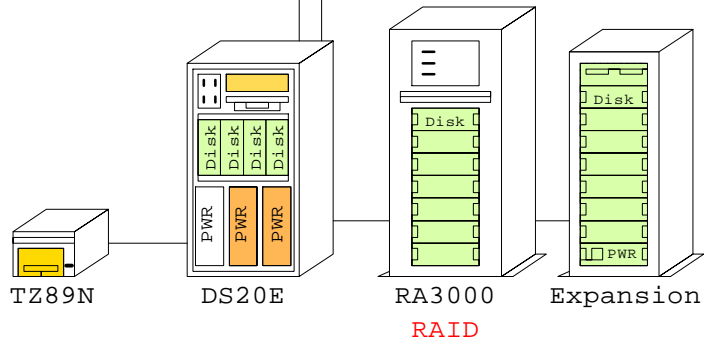
AlphaServer DS20E UNIX System  
GOLDEN EGGS Visuals, Helsinki



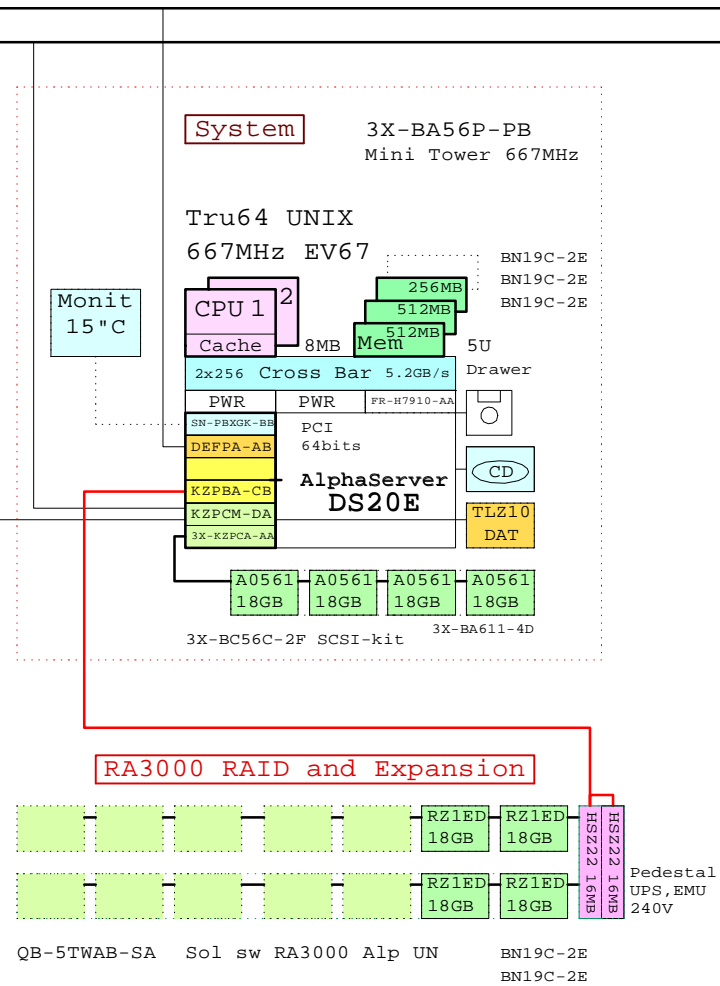
DS20E expanded Tru64 UNIX RAID system

FDDI

Ethernet



SN-LKQ47-AF  
BN39C-02, Video  
BN19C-2E



Bill of material

	Part Number	Qty	Description
1	3X-BA56P-PB	1	DS20E Mini tower pedestal kit, 667MHz
1.1	3X-BC56C-2F	1	DS20E SCSI Cable Kit
1.2	BN19C-2E	3	PowerCable 240V, C-Europe
1.3	DA-56PAA-EA	1	AS DS20E 6/667 512MB, Rack, UNIX
1.3.1	3R-VROV5-24	1	COMPAQ V55 CLR MON, NH, TCO95
1.3.2	3X-BA611-4D	1	Disk Cage for DS20E, 4x disk
1.3.2.1	3R-A0561-AA	4	18.2GB 10000r Universal Disk
1.3.3	3X-KZPCA-AA	1	Single channel LVD adapter
1.3.4	DEFPA-AB	1	PCI to FDDI SAS
1.3.5	FR-H7910-AA	1	Third power supply for DS20E
1.3.6	KN311-BB	1	AS DS20E 6/667 SMP UPG UNIX
1.3.7	KZPBA-CB	1	PCI to UltraSCSI Adapter UWdif
1.3.8	KZPCM-DA	1	Dual Uscsi with FastEther PCI
1.3.9	MS340-CA	1	DS20 256MB SDIMM MEM 4x64MB
1.3.10	MS340-DA	1	DS20 512MB SDIMM MEM 4x128MB
1.3.11	SN-PBXGK-BB	1	Elsa Gloria Synergy 8M Video Graphics
1.3.12	TLZ10-LB	1	12/24GB 4mm DAT 5.25" HH
2	DS-SWXRA-GC	1	RA3000 Pedestal one HSZ22 240V
2.1	DS-HSZ22-AA	1	HSZ22 controller 16MB
2.2	DS-RZ1ED-VW	2	18.2GB 10000r UltraSCSI disk
2.3	DS-SWXRA-GD	1	RA3000 Pedestal Expans 120/240
2.3.1	DS-RZ1ED-VW	2	18.2GB 10000r UltraSCSI disk
3	QB-5TWAB-SA	1	Sol sw RA3000 Alp UNIX
4	DS-TZ89N-TA	1	35/70GB SE DLT-tape TT FWSE
5	BN39C-02	1	1.8 Video Extension Cable ****
6	SN-LKQ47-AF	1	102 KEY KYBD, NON-WIN, Finnish
7	BN19C-2E	4	PowerCable 240V, C-Europe
8	BN38C-02	1	Ultra Cbl VHDCI - 68HD

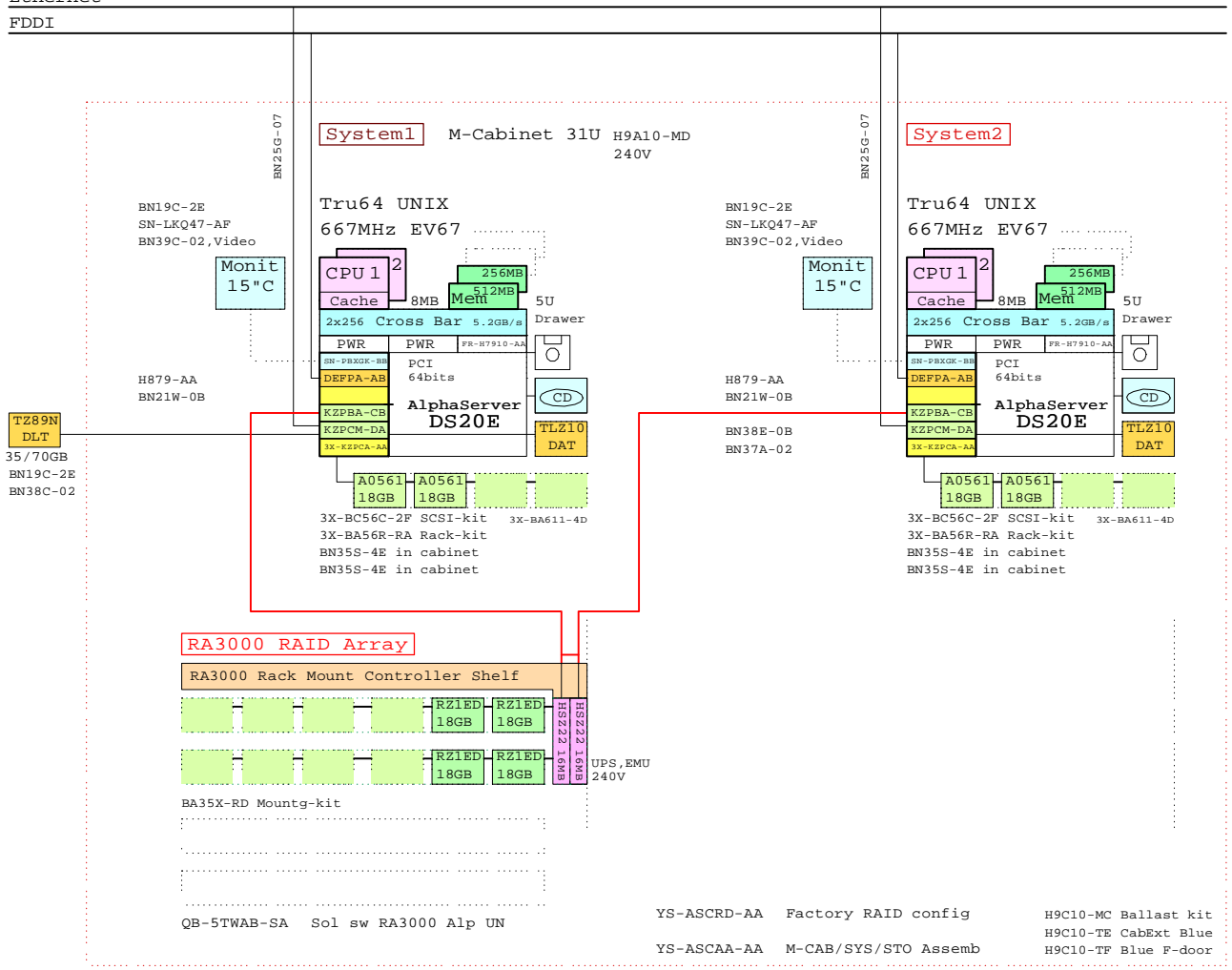


13-Apr-2000 GTAUDS20E6  
Matti.Patari@compaq.com

AlphaServer DS20E UNIX RAID  
GOLDEN EGGS Visuals, Helsinki

**DS20E UNIX Cluster with in-cabinet RA3000 RAID storage**

Ethernet  
FDDI



BOM for this cabinet system

Part Number	Qty	Description
1	H9A10-MD	1 M-Series Cab,H9A10,Blue,240V 31U
1.1	3X-BA56R-RA	2 Rack mount kit, DS20E, for M-series
1.2	BA35X-RD	1 Mounting kit, metric
1.3	BN19C-2E	2 PowerCable 240V, C-Europe
1.4	BN21W-0B	2 Y SCSI-2 Cable 68 pins/16" 15m
1.5	BN25G-07	2 17-03212-05 8MP-8MP PATCH CBL
1.6	BN35S-4E	4 PowerCord C13 to C14, Non US
1.7	BN37A-02	1 Ultra Cbl VHDCI - VHDCI
1.8	BN38E-0B	1 Ultra Cbl VHDCI - 68HD
1.9	BN39C-02	2 1.8 Video Extension Cable ****
1.10	DA-56PAA-EA	1 AS DS20E 6/667 512MB,Rack,UNIX
1.10.1	3R-VRQV5-24	1 COMPAQ V55 CLR MON,NH,TCO95
1.10.2	3X-BA611-4D	1 Disk Cage for DS20E, 4x disk
1.10.2.1	3R-A0561-AA	2 18.2GB 10000r Universal Disk
1.10.2.2	3X-BC56C-2F	1 DS20E SCSI Cable Kit
1.10.3	3X-KZPCA-AA	1 Single channel LVD adapter
1.10.4	DEPPA-AB	1 PCI to FDDI SAS
1.10.5	FR-H7910-AA	1 Third power supply for DS20E
1.10.6	KN311-BB	1 AS DS20E 6/667 SMP UPG UNIX
1.10.7	KZPBA-CB	1 PCI to UltraSCSI Adapter UWdif
1.10.8	KZPCM-DA	1 Dual Uscsi with FastEther PCI
1.10.9	MS340-CA	1 DS20 256MB SDIMM MEM 4x64MB
1.10.10	SN-PBXGK-BB	1 Elsa Gloria Synergy 8M Video Graphics
1.10.11	TLZ10-LB	1 12/24GB 4mm DAT 5.25" HH
1.11	DA-56PAA-EA	1 AS DS20E 6/667 512MB,Rack,UNIX
1.11.1	3R-VRQV5-24	1 COMPAQ V55 CLR MON,NH,TCO95
1.11.2	3X-BA611-4D	1 Disk Cage for DS20E, 4x disk
1.11.2.1	3R-A0561-AA	2 18.2GB 10000r Universal Disk
1.11.2.2	3X-BC56C-2F	1 DS20E SCSI Cable Kit
1.11.3	3X-KZPCA-AA	1 Single channel LVD adapter
1.11.4	DEPPA-AB	1 PCI to FDDI SAS
1.11.5	FR-H7910-AA	1 Third power supply for DS20E
1.11.6	KN311-BB	1 AS DS20E 6/667 SMP UPG UNIX
1.11.7	KZPBA-CB	1 PCI to UltraSCSI Adapter UWdif
1.11.8	KZPCM-DA	1 Dual Uscsi with FastEther PCI
1.11.9	MS340-CA	1 DS20 256MB SDIMM MEM 4x64MB
1.11.10	SN-PBXGK-BB	1 Elsa Gloria Synergy 8M Video Graphics
1.11.11	TLZ10-LB	1 12/24GB 4mm DAT 5.25" HH
1.12	DS-SWXRA-GK	1 RA3000 Rackmoun one HSZ22 240V
1.12.1	DS-HSZ22-AA	1 HSZ22 controller 16MB
1.12.2	DS-SWXRA-GN	1 RA3000 Rackmount Expan 120/240
1.12.2.1	DS-RZ1ED-VW	2 18.2GB 10000r UltraSCSI disk
1.12.3	DS-SWXRA-GN	1 RA3000 Rackmount Expan 120/240
1.12.3.1	DS-RZ1ED-VW	2 18.2GB 10000r UltraSCSI disk
1.13	H879-AA	2 SCSI-3 Term - 68 pin Male
1.14	H9C10-MC	1 Ballast Kit for cabinets
1.15	H9C10-TE	1 Rear cab extender for H9A10 Blue
1.16	H9C10-TF	1 FrontDoorKit Blue for H9A10
1.17	QB-5TWAB-SA	1 Sol sw RA3000 Alp UNIX
1.18	SN-LKQ47-AF	2 102 KEY KYBD, NON-WIN, Finnish
1.19	YS-ASCAA-AA	1 M-CAB/SYS/STO Assembly
1.20	YS-ASCRD-AA	1 Factory configured RAID sets
2	DS-TZ89N-TA	1 35/70GB SE DLT-tape TT FWSE
3	BN19C-2E	1 PowerCable 240V, C-Europe
4	BN38C-02	1 Ultra Cbl VHDCI - 68HD

**COMPAQ** 13-Apr-2000 GTAUDS20E7  
Matti.Patari@Compaq.com

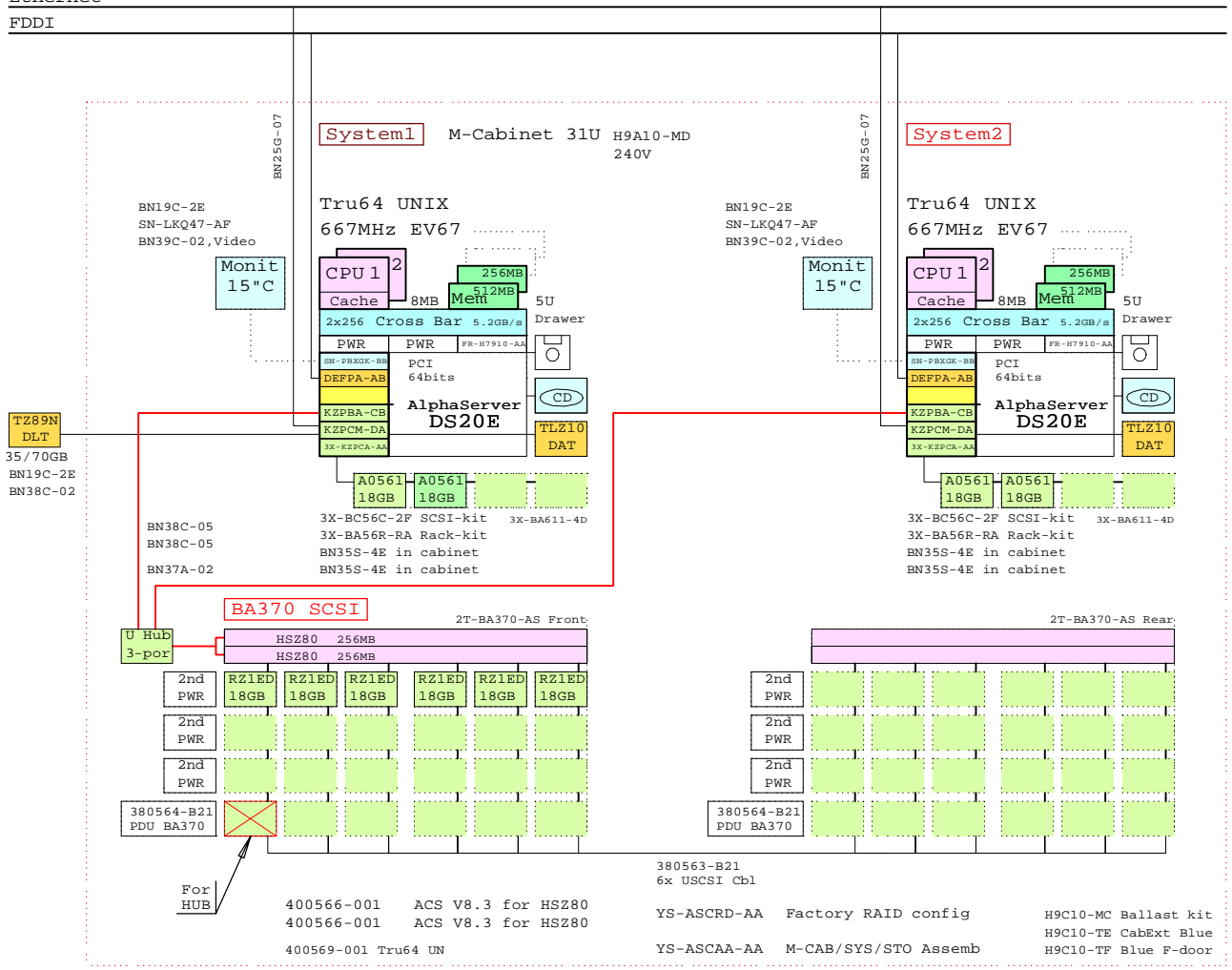
AlphaServer DS20E UNIX Cluster  
GOLDEN EGGS Visuals, Helsinki

This template is included in the present GOLDEN EGGS Software kit.

**DS20E UNIX**

**DS20E UNIX Cluster with in-cabinet RAID storage**

Ethernet  
FDDI



BOM for this cabinet system

Part Number	Qty	Description
1		H9A10-MD 1 M-Series Cab,H9A10,Blue,240V 31U
1.1		2T-BA370-AR 1 BA370 shelf,slides Rear RackMount
1.1.1		380564-B21 1 Power Distribution Unit RA8k/7k
1.1.2		380565-B21 3 Power Supply 180W Hot Plug SBB
1.2		2T-BA370-AS 1 BA370 shelf,slides Front RackMount
1.2.1		380564-B21 1 Power Distribution Unit RA8k/7k
1.2.2		380565-B21 3 Power Supply 180W Hot Plug SBB
1.2.3		400566-B21 2 Ultra Opt-1 cont w 2x128MB cache HSZ80
1.2.4		DS-DWZZH-03 1 Uscsi Act hub 0 SE:3/Dif 3.5" SBB
1.2.5		DS-RZ1ED-VW 6 18.2GB 10000r UltraSCSI disk
1.3		380563-B21 1 Set of six USCSI cables
1.4		3X-BA56R-RA 2 Rack mount kit, DS20E, for M-series
1.5		400566-001 2 HSZ80 Controller Software ACS V8.3
1.6		400569-001 1 Ultra opt OS Software Tru64 UNIX
1.7		BN19C-2E 2 PowerCable 240V, C-Europe
1.8		BN25G-07 2 17-03212-05 8MP-8MP PATCH CBL
1.9		BN35S-4E 4 PowerCord CL3 to CL4, Non US
1.10		BN37A-02 1 Ultra Cbl VHDCI - VHDCI
1.11		BN39C-05 2 Ultra Cbl VHDCI - 68HD
1.12		BN39C-02 2 1.8 Video Extension Cable ****
1.13		DA-56PAA-EA 1 AS DS20E 6/667 512MB,Rack,UNIX
1.13.1		3R-VRQV5-24 1 COMPAQ V55 CLR MON,NH,TCO95
1.13.2		3X-BA611-4D 1 Disk Cage for DS20E, 4x disk
1.13.2.1		3R-A0561-AA 2 18.2GB 10000r Universal Disk
1.13.2.2		3X-BC56C-2F 1 DS20E SCSI Cable Kit
1.13.3		3X-KZPCA-AA 1 Single channel LVD adapter
1.13.4		DEFPA-AB 1 PCI to FDDI SAS
1.13.5		FR-H7910-AA 1 Third power supply for DS20E
1.13.6		KN311-BB 1 AS DS20E 6/667 SMP UPG UNIX
1.13.7		KZPBA-CB 1 PCI to UltraSCSI Adapter Umdif
1.13.8		KZPCM-DA 1 Dual Uscsi with FastEther PCI
1.13.9		MS340-CA 1 DS20 256MB SDIMM MEM 4x64MB
1.13.10		SN-PBXGK-BB 1 Elsa Gloria Synergy 8M Video Graphics
1.13.11		TLZ10-LB 1 12/24GB 4mm DAT 5.25" HH
1.14		DA-56PAA-EA 1 AS DS20E 6/667 512MB,Rack,UNIX
1.14.1		3R-VRQV5-24 1 COMPAQ V55 CLR MON,NH,TCO95
1.14.2		3X-BA611-4D 1 Disk Cage for DS20E, 4x disk
1.14.2.1		3R-A0561-AA 2 18.2GB 10000r Universal Disk
1.14.2.2		3X-BC56C-2F 1 DS20E SCSI Cable Kit
1.14.3		3X-KZPCA-AA 1 Single channel LVD adapter
1.14.4		DEFPA-AB 1 PCI to FDDI SAS
1.14.5		FR-H7910-AA 1 Third power supply for DS20E
1.14.6		KN311-BB 1 AS DS20E 6/667 SMP UPG UNIX
1.14.7		KZPBA-CB 1 PCI to UltraSCSI Adapter Umdif
1.14.8		KZPCM-DA 1 Dual Uscsi with FastEther PCI
1.14.9		MS340-CA 1 DS20 256MB SDIMM MEM 4x64MB
1.14.10		SN-PBXGK-BB 1 Elsa Gloria Synergy 8M Video Graphics
1.14.11		TLZ10-LB 1 12/24GB 4mm DAT 5.25" HH
1.15		H9C10-MC 1 Ballast Kit for cabinets
1.16		H9C10-TE 1 Rear cab extender for H9A10 Blue
1.17		H9C10-TF 1 FrontDoorKit Blue for H9A10
1.18		SN-LKQ47-AF 2 102 KEY KYBD, NON-WIN, Finnish
1.19		YS-ASCAA-AA 1 M-CAB/SYS/STO Assembly
1.20		YS-ASCRD-AA 1 Factory configured RAID sets
2		DS-TZ89N-TA 1 35/70GB SE DLT-tape TT FWSE
3		BN19C-2E 1 PowerCable 240V, C-Europe
4		BN38C-02 1 Ultra Cbl VHDCI - 68HD

**COMPAQ** 13-Apr-2000 GTAUDS20E8  
Matti.Patari@Compaq.com

AlphaServer DS20E UNIX Cluster  
GOLDEN EGGS Visuals, Helsinki

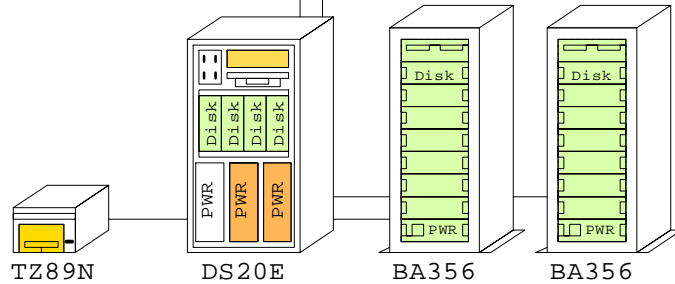
This template is included in the present GOLDEN EGGS Software kit.

**DS20E UNIX**

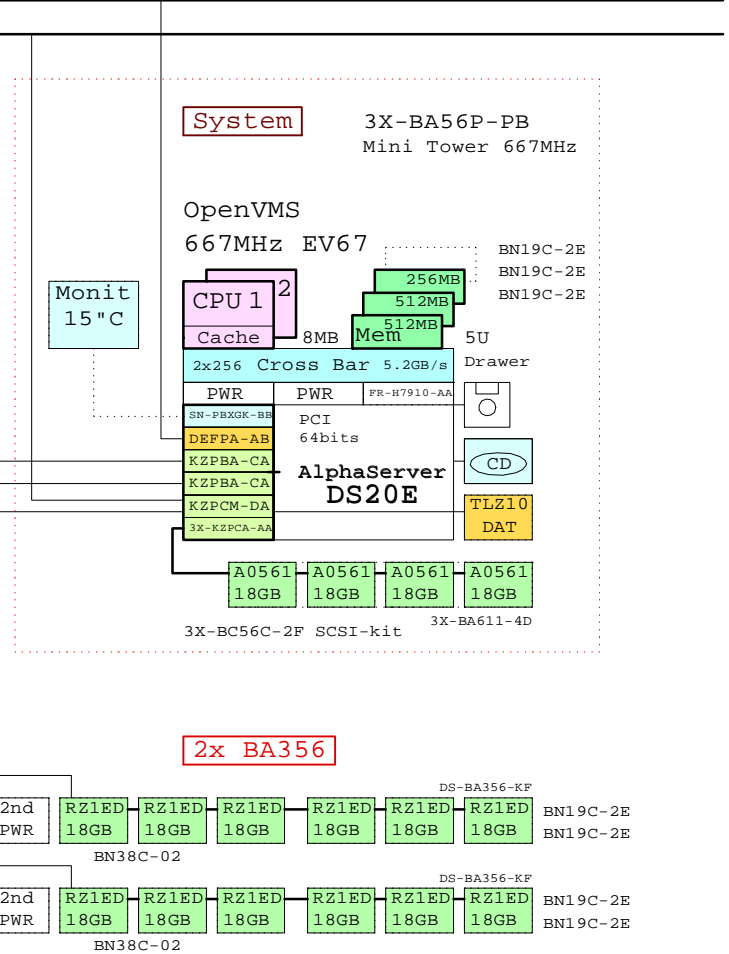
DS20E expanded OpenVMS system

FDDI

Ethernet



LK461-AF  
BN39C-02, Video  
BN19C-2E



Bill of material

	Part Number	Qty	Description
1	3X-BA56P-PB	1	DS20E Mini tower pedestal kit,667MHz
1.1	3X-BC56C-2F	1	DS20E SCSI Cable Kit
1.2	BN19C-2E	3	PowerCable 240V, C-Europe
1.3	DY-56PAA-EA	1	AS DS20E 6/667 512MB,Rack,OVMS
1.3.1	3R-VRQV5-24	1	COMPAQ V55 CLR MON,NH,TC095
1.3.2	3X-BA611-4D	1	Disk Cage for DS20E, 4x disk
1.3.2.1	3R-A0561-AA	4	18.2GB 10000r Universal Disk
1.3.3	3X-KZPCA-AA	1	Single channel LVD adapter
1.3.4	DEFPA-AB	1	PCI to FDDI SAS
1.3.5	FR-H7910-AA	1	Third power supply for DS20E
1.3.6	KN311-BC	1	AS DS20E 6/667 SMP UPG OpenVMS
1.3.7	KZPBA-CA	2	PCI to UltraSCSI Adapter UWSE
1.3.8	KZPCM-DA	1	Dual Uscsi with FastEther PCI
1.3.9	MS340-CA	1	DS20 256MB SDIMM MEM 4x64MB
1.3.10	MS340-DA	1	DS20 512MB SDIMM MEM 4x128MB
1.3.11	SN-PBXGK-BB	1	Elsa Gloria Synergy 8M Video Graphics
1.3.12	TLZ10-LB	1	12/24GB 4mm DAT 5.25" HH
2	DS-BA356-KF	1	Pedestal Storage, UltraW, Single-Bus
2.1	BN19C-2E	2	PowerCable 240V, C-Europe
2.2	BN38C-02	1	Ultra Cbl VHDCI - 68HD
2.3	CK-BA35X-HH	1	180W Stor.Shelf PWR for AS4x00
2.4	DS-RZ1ED-VW	6	18.2GB 10000r UltraSCSI disk
3	DS-BA356-KF	1	Pedestal Storage, UltraW, Single-Bus
3.1	BN19C-2E	2	PowerCable 240V, C-Europe
3.2	BN38C-02	1	Ultra Cbl VHDCI - 68HD
3.3	CK-BA35X-HH	1	180W Stor.Shelf PWR for AS4x00
3.4	DS-RZ1ED-VW	6	18.2GB 10000r UltraSCSI disk
4	DS-TZ89N-TA	1	35/70GB SE DLT-tape TT FWSE
5	BN39C-02	1	1.8 Video Extension Cable ****
6	BN19C-2E	2	PowerCable 240V, C-Europe
7	BN38C-02	1	Ultra Cbl VHDCI - 68HD
8	LK461-AF	1	VMS STYLE KEYBOARD, Fin/Swed



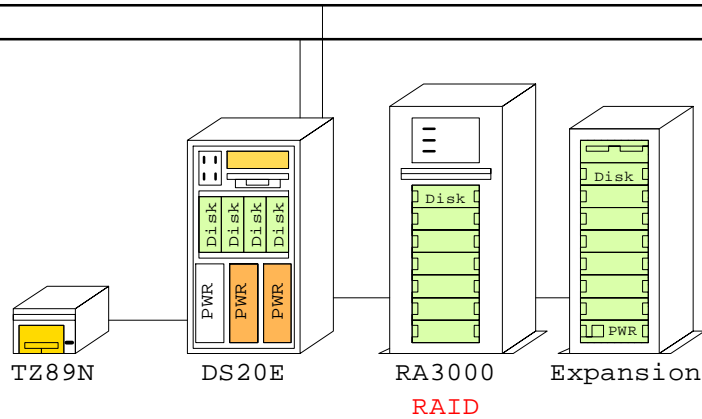
13-Apr-2000 GTAVDS20E5  
Matti.Patari@compaq.com

AlphaServer DS20E OpenVMS Syst  
GOLDEN EGGS Visuals, Helsinki

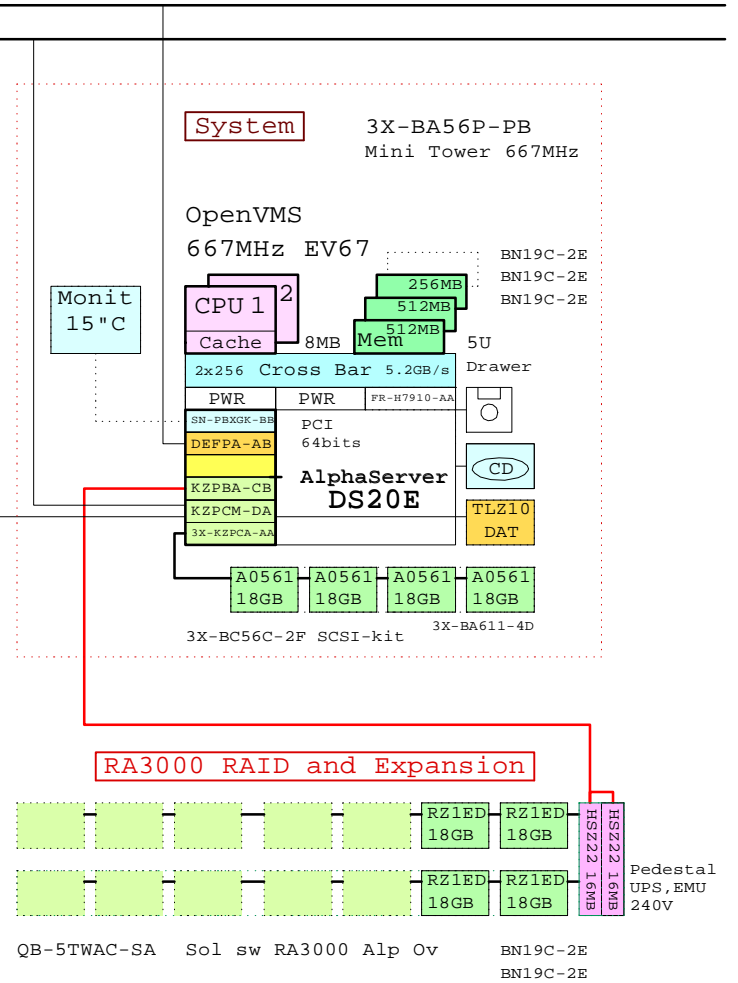
DS20E expanded OpenVMS RAID system

FDDI

Ethernet



LK461-AF  
BN39C-02, Video  
BN19C-2E



Bill of material

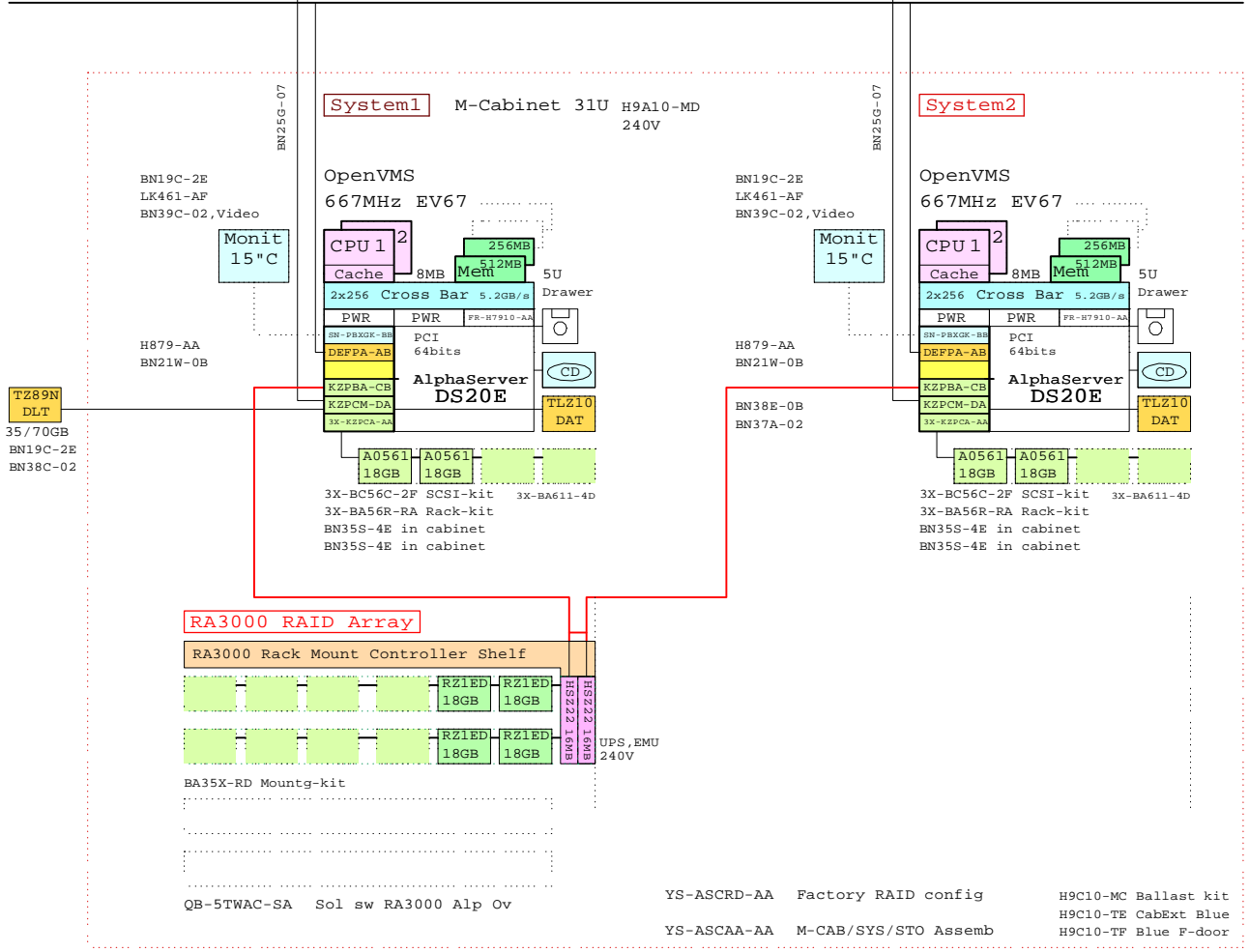
	Part Number	Qty	Description
1	3X-BA56P-PB	1	DS20E Mini tower pedestal kit, 667MHz
1.1	3X-BC56C-2F	1	DS20E SCSI Cable Kit
1.2	BN19C-2E	3	PowerCable 240V, C-Europe
1.3	DY-56PAA-EA	1	AS DS20E 6/667 512MB, Rack, OVMS
1.3.1	3R-VROV5-24	1	COMPAQ V55 CLR MON, NH, TCO95
1.3.2	3X-BA611-4D	1	Disk Cage for DS20E, 4x disk
1.3.2.1	3R-A0561-AA	4	18.2GB 10000r Universal Disk
1.3.3	3X-KZFCA-AA	1	Single channel LVD adapter
1.3.4	DEFPA-AB	1	PCI to FDDI SAS
1.3.5	FR-H7910-AA	1	Third power supply for DS20E
1.3.6	KN311-BC	1	AS DS20E 6/667 SMP UPG OpenVMS
1.3.7	KZPBA-CB	1	PCI to UltraSCSI Adapter UWDif
1.3.8	KZPCM-DA	1	Dual Uscsi with FastEther PCI
1.3.9	MS340-CA	1	DS20 256MB SDIMM MEM 4x64MB
1.3.10	MS340-DA	1	DS20 512MB SDIMM MEM 4x128MB
1.3.11	SN-PBXGK-BB	1	Elsa Gloria Synergy 8M Video Graphics
1.3.12	TLZ10-LB	1	12/24GB 4mm DAT 5.25" HH
2	DS-SWXRA-GC	1	RA3000 Pedestal one HSZ22 240V
2.1	DS-HSZ22-AA	1	HSZ22 controller 16MB
2.2	DS-RZ1ED-VW	2	18.2GB 10000r UltraSCSI disk
2.3	DS-SWXRA-GD	1	RA3000 Pedestal Expans 120/240
2.3.1	DS-RZ1ED-VW	2	18.2GB 10000r UltraSCSI disk
3	QB-5TWAC-SA	1	Sol sw RA3000 Alp Ovms
4	DS-TZ89N-TA	1	35/70GB SE DLT-tape TT FWSE
5	BN39C-02	1	1.8 Video Extension Cable ****
6	BN19C-2E	4	PowerCable 240V, C-Europe
7	BN38C-02	1	Ultra Cbl VHDCI - 68HD
8	LK461-AF	1	VMS STYLE KEYBOARD, Fin/Swed

<b>COMPAQ</b>	13-Apr-2000	GTAVDS20E6
	Matti.Patari@compaq.com	
AlphaServer DS20E OpenVMS RAID		
GOLDEN EGGS Visuals, Helsinki		

**DS20E OpenVMS Cluster with in-cabinet RA3000 RAID storage**

Ethernet

FDDI



BOM for this cabinet system

Part Number	Qty	Description
1	1	H9A10-MD 1 M-Series Cab,H9A10,Blue,240V 31U
1.1	2	3X-BA56R-RA 2 Rack mount kit, DS20E, for M-series
1.2	1	BA35X-RD 1 Mounting kit, metric
1.3	2	BN19C-2E 2 PowerCable 240V, C-Europe
1.4	2	BN21W-0B 2 Y SCSI-2 Cable 68 pins/6\".15m
1.5	2	BN25G-07 2 17-03212-05 BMP-8MP PATCH CBL
1.6	4	BN35S-4E 4 PowerCord C13 to C14, Non US
1.7	1	BN37A-02 1 Ultra Cbl VHDCI - VHDCI
1.8	1	BN38E-0B 1 Ultra Cbl VHDCI - 68HD
1.9	2	BN39C-02 2 1.8 Video Extension Cable ****
1.10	1	DS-SWXRA-GK 1 RA3000 Rackmount one HSZ22 240V
1.10.1	1	DS-HS222-AA 1 HSZ22 controller 16MB
1.10.2	1	DS-SWXRA-GN 1 RA3000 Rackmount Expan L20/240
1.10.2.1	2	DS-RZ1ED-VN 2 18.2GB 10000r UltraSCSI disk
1.10.3	1	DS-SWXRA-GN 1 RA3000 Rackmount Expan L20/240
1.10.3.1	2	DS-RZ1ED-VN 2 18.2GB 10000r UltraSCSI disk
1.11	1	DY-56PAA-EA 1 AS DS20E 6/667 512MB,Rack_OVMS
1.11.1	1	3R-VRQV5-24 1 COMPAQ V55 CLR MON,NH,TCO95
1.11.2	1	3X-BA611-4D 1 Disk Cage for DS20E, 4x disk
1.11.2.1	2	3R-A0561-AA 2 18.2GB 10000r Universal Disk
1.11.2.2	1	3X-BC56C-2F 1 DS20E SCSI Cable Kit
1.11.3	1	3X-KZPCA-AA 1 Single channel LVD adapter
1.11.4	1	DEFPA-AB 1 PCI to FDDI SAS
1.11.5	1	FR-H7910-AA 1 Third power supply for DS20E
1.11.6	1	KN311-BC 1 AS DS20E 6/667 SMP UPG OpenVMS
1.11.7	1	KZPBA-CB 1 PCI to UltraSCSI Adapter UWdif
1.11.8	1	KZPCM-DA 1 Dual Uscai with FastEther PCI
1.11.9	1	MS340-CA 1 DS20 256MB SDIMM MEM 4x64MB
1.11.10	1	SN-PBXGK-BB 1 Elsa Gloria Synergy 8M Video Graphics
1.11.11	1	TLZ10-LB 1 12/24GB 4mm DAT 5.25\" HH
1.12	1	DY-56PAA-EA 1 AS DS20E 6/667 512MB,Rack_OVMS
1.12.1	1	3R-VRQV5-24 1 COMPAQ V55 CLR MON,NH,TCO95
1.12.2	1	3X-BA611-4D 1 Disk Cage for DS20E, 4x disk
1.12.2.1	2	3R-A0561-AA 2 18.2GB 10000r Universal Disk
1.12.2.2	1	3X-BC56C-2F 1 DS20E SCSI Cable Kit
1.12.3	1	3X-KZPCA-AA 1 Single channel LVD adapter
1.12.4	1	DEFPA-AB 1 PCI to FDDI SAS
1.12.5	1	FR-H7910-AA 1 Third power supply for DS20E
1.12.6	1	KN311-BC 1 AS DS20E 6/667 SMP UPG OpenVMS
1.12.7	1	KZPBA-CB 1 PCI to UltraSCSI Adapter UWdif
1.12.8	1	KZPCM-DA 1 Dual Uscai with FastEther PCI
1.12.9	1	MS340-CA 1 DS20 256MB SDIMM MEM 4x64MB
1.12.10	1	SN-PBXGK-BB 1 Elsa Gloria Synergy 8M Video Graphics
1.12.11	1	TLZ10-LB 1 12/24GB 4mm DAT 5.25\" HH
1.13	2	H879-AA 2 SCSI-3 Term - 68 pin Male
1.14	1	H9C10-MC 1 Ballast Kit for cabinets
1.15	1	H9C10-TE 1 Rear cab extender for H9A10 Blue
1.16	1	H9C10-TF 1 FrontDoorKit Blue for H9A10
1.17	2	LK461-AF 2 VMS STYLE KEYBOARD, Fin/Swed
1.18	1	QB-STWAC-SA 1 Sol sw RA3000 Alp Ovms
1.19	1	YS-ASCAA-AA 1 M-CAB/SYS/STO Assembly
1.20	1	YS-ASCRD-AA 1 Factory configured RAID sets
2	1	DS-TZ89N-TA 1 35/70GB SE DLT-tape TT FWSE
3	1	BN19C-2E 1 PowerCable 240V, C-Europe
4	1	BN38C-02 1 Ultra Cbl VHDCI - 68HD

This template is included in the present GOLDEN EGGS Software kit.

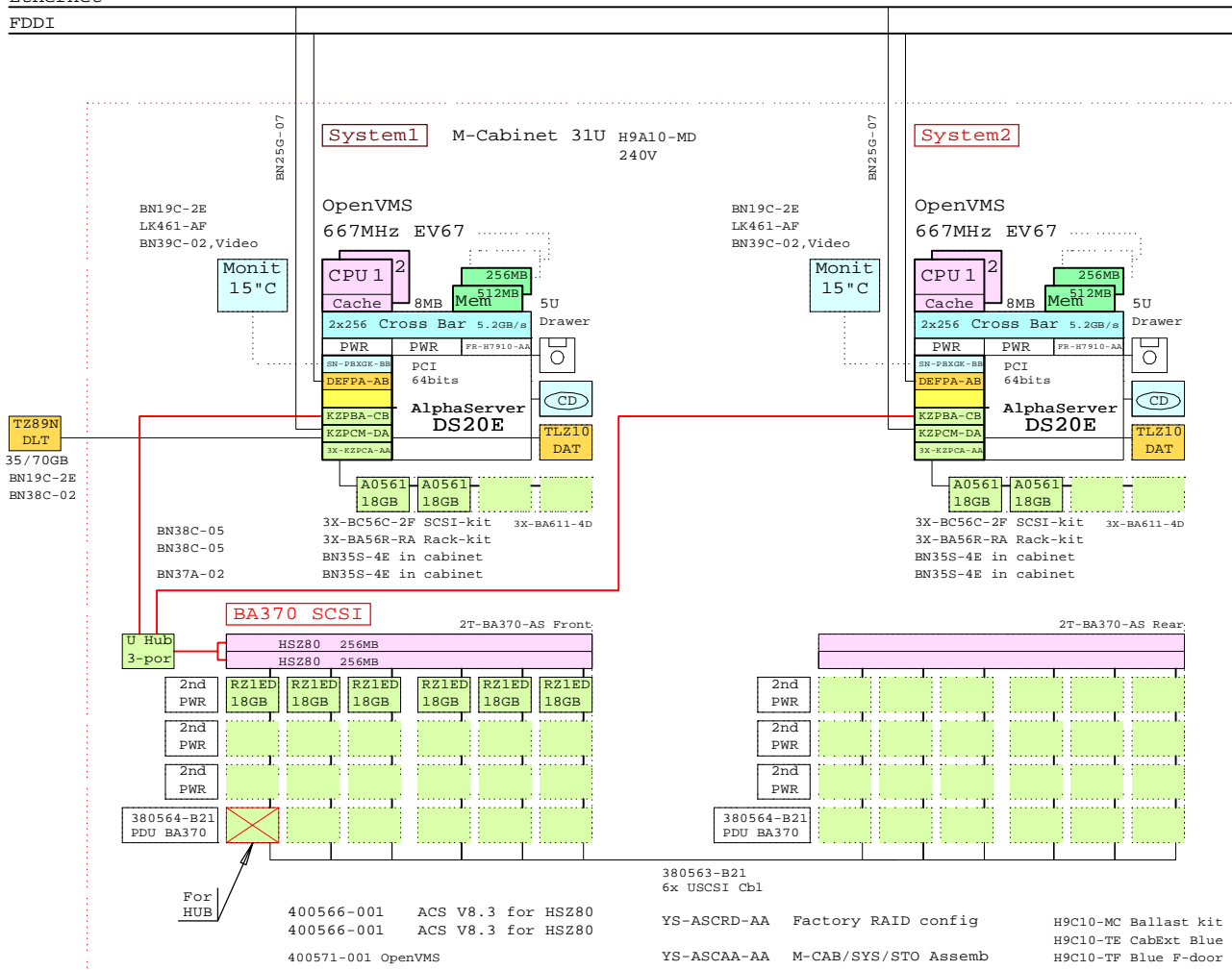
**DS20E** OVMS

<b>COMPAQ</b>	13-Apr-2000	GTAVDS20E7
	Matti.Patari@Compaq.com	
AlphaServer DS20E OVMS Cluster		
GOLDEN EGGS Visuals, Helsinki		

**DS20E OpenVMS Cluster with in-cabinet RAID storage**

Ethernet

FDDI



BOM for this cabinet system

Part Number	Qty	Description
1		H9A10-MD 1 M-Series Cab,H9A10,Blue,240V 31U
1.1		2T-BA370-AR 1 BA370 shelf,slides Rear RackMount
1.1.1		380564-B21 1 Power Distribution Unit RA8k/7k
1.1.2		380565-B21 3 Power Supply 180W Hot Plug SBB
1.2		2T-BA370-AS 1 BA370 shelf,slides Front RackMount
1.2.1		380564-B21 1 Power Distribution Unit RA8k/7k
1.2.2		380565-B21 3 Power Supply 180W Hot Plug SBB
1.2.3		400565-B21 2 Ultra Opt-1 cont w 2x128MB cache HSZ80
1.2.4		DS-DWZZH-03 1 Uscsi Act hub 0 SE:3/Dif 3.5" SBB
1.2.5		DS-RZ1ED-VW 6 18.2GB 10000r UltraSCSI disk
1.3		380563-B21 1 Set of six USCSI cables
1.4		3X-BA56R-RA 2 Rack mount kit, DS20E, for M-series
1.5		400566-001 2 HSZ80 Controller Software ACS V8.3
1.6		400571-001 1 Ultra opt OS Software OpenVMS
1.7		BN19C-2E 2 PowerCable 240V, C-Europe
1.8		BN25G-07 2 17-03212-05 8MP-8MP PATCH CBL
1.9		BN35S-4E 4 PowerCord CL3 to CL4, Non US
1.10		BN37A-02 1 Ultra Cbl VHDCI - VHDCI
1.11		BN39C-05 2 Ultra Cbl VHDCI - 68HD
1.12		BN39C-02 2 1.8 Video Extension Cable ****
1.13		DY-56PAA-EA 1 AS DS20E 6/667 512MB,Rack_OVMS
1.13.1		3R-VRQV5-24 1 COMPAQ V55 CLR MON,NH,TC095
1.13.2		3X-BA611-4D 1 Disk Cage for DS20E, 4x disk
1.13.2.1		3R-A0561-AA 2 18.2GB 10000r Universal Disk
1.13.2.2		3X-BC56C-2F 1 DS20E SCSI Cable Kit
1.13.3		3X-KZPCA-AA 1 Single channel LVD adapter
1.13.4		DEFPA-AB 1 PCI to FDDI SAS
1.13.5		FR-H7910-AA 1 Third power supply for DS20E
1.13.6		KN311-BC 1 AS DS20E 6/667 SMP UPG OpenVMS
1.13.7		KZPBA-CB 1 PCI to UltraSCSI Adapter Uwdif
1.13.8		KZPCM-DA 1 Dual Uscsi with FastEther PCI
1.13.9		MS340-CA 1 DS20 256MB SDIMM MEM 4x64MB
1.13.10		SN-PBXGK-BB 1 Elsa Gloria Synergy 8M Video Graphics
1.13.11		TLZ10-LB 1 12/24GB 4mm DAT 5.25" HH
1.14		DY-56PAA-EA 1 AS DS20E 6/667 512MB,Rack_OVMS
1.14.1		3R-VRQV5-24 1 COMPAQ V55 CLR MON,NH,TC095
1.14.2		3X-BA611-4D 1 Disk Cage for DS20E, 4x disk
1.14.2.1		3R-A0561-AA 2 18.2GB 10000r Universal Disk
1.14.2.2		3X-BC56C-2F 1 DS20E SCSI Cable Kit
1.14.3		3X-KZPCA-AA 1 Single channel LVD adapter
1.14.4		DEFPA-AB 1 PCI to FDDI SAS
1.14.5		FR-H7910-AA 1 Third power supply for DS20E
1.14.6		KN311-BC 1 AS DS20E 6/667 SMP UPG OpenVMS
1.14.7		KZPBA-CB 1 PCI to UltraSCSI Adapter Uwdif
1.14.8		KZPCM-DA 1 Dual Uscsi with FastEther PCI
1.14.9		MS340-CA 1 DS20 256MB SDIMM MEM 4x64MB
1.14.10		SN-PBXGK-BB 1 Elsa Gloria Synergy 8M Video Graphics
1.14.11		TLZ10-LB 1 12/24GB 4mm DAT 5.25" HH
1.15		H9C10-MC 1 Ballast Kit for cabinets
1.16		H9C10-TE 1 Rear cab extender for H9A10 Blue
1.17		H9C10-TF 1 FrontDoorKit Blue for H9A10
1.18		LK461-AF 2 VMS STYLE KEYBOARD, Fin/Swed
1.19		YS-ASCAA-AA 1 M-CAB/SYS/STO Assembly
1.20		YS-ASCRD-AA 1 Factory configured RAID sets
2		DS-TZ89N-TA 1 35/70GB SE DLT-tape TT FWSE
3		BN19C-2E 1 PowerCable 240V, C-Europe
4		BN38C-02 1 Ultra Cbl VHDCI - 68HD

**COMPAQ** 13-Apr-2000 GTAVIDS20E8  
Matti.Patari@Compaq.com

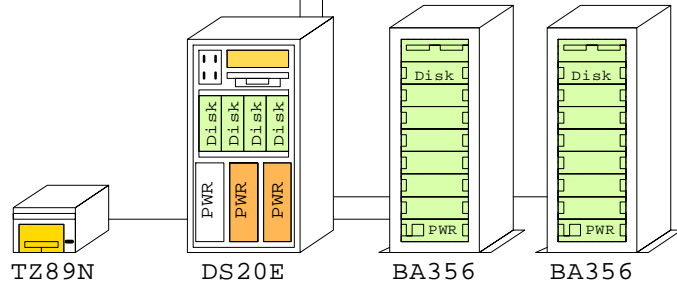
AlphaServer DS20E OVMS Cluster  
GOLDEN EGGS Visuals, Helsinki

This template is included in the present GOLDEN EGGS Software kit.

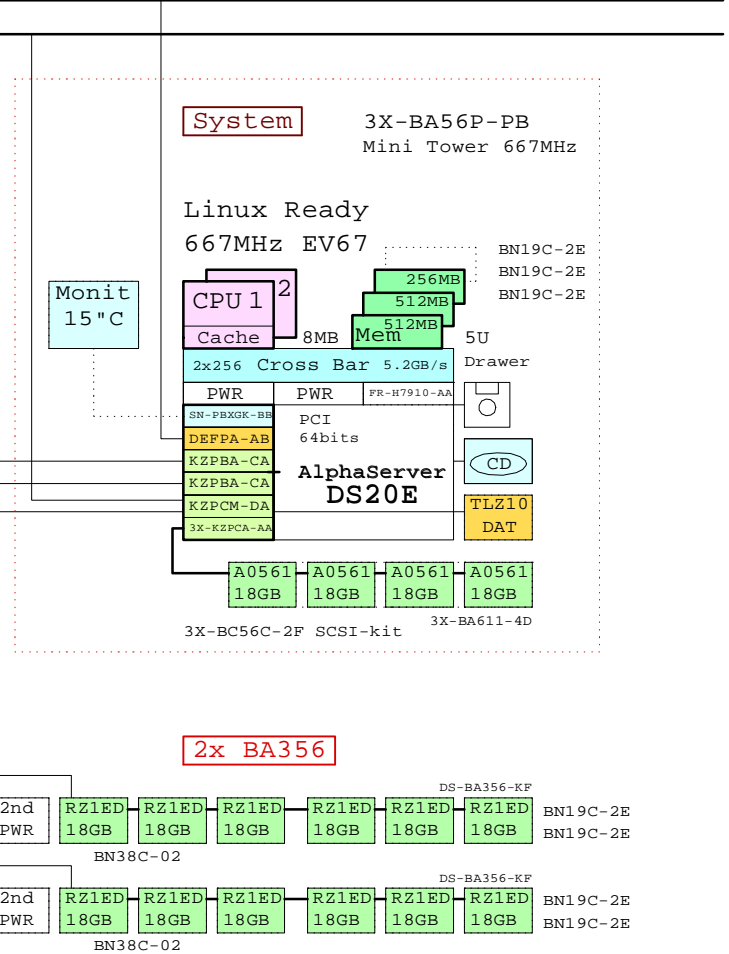
**DS20E OVMS**

FDDI  
Ethernet

DS20E expanded Linux system



SN-LKQ47-AF  
BN39C-02, Video  
BN19C-2E



Bill of material

	Part Number	Qty	Description
1	3X-BA56P-PB	1	DS20E Mini tower pedestal kit,667MHz
1.1	3X-BC56C-2F	1	DS20E SCSI Cable Kit
1.2	BN19C-2E	3	PowerCable 240V, C-Europe
1.3	DJ-56PAA-EA	1	AS DS20E 6/667 512MB,Rack, Linux
1.3.1	3R-VRQV5-24	1	COMPAQ V55 CLR MON,NH,TCO95
1.3.2	3X-BA611-4D	1	Disk Cage for DS20E, 4x disk
1.3.2.1	3R-A0561-AA	4	18.2GB 10000r Universal Disk
1.3.3	3X-KZPCA-AA	1	Single channel LVD adapter
1.3.4	DEFPA-AB	1	PCI to FDDI SAS
1.3.5	FR-H7910-AA	1	Third power supply for DS20E
1.3.6	KN311-BD	1	AS DS20E 6/667 SMP UPG for Linux
1.3.7	KZPBA-CA	2	PCI to UltraSCSI Adapter UWSE
1.3.8	KZPCM-DA	1	Dual Uscsi with FastEther PCI
1.3.9	MS340-CA	1	DS20 256MB SDIMM MEM 4x64MB
1.3.10	MS340-DA	1	DS20 512MB SDIMM MEM 4x128MB
1.3.11	SN-PBXGK-BB	1	Elsa Gloria Synergy 8M Video Graphics
1.3.12	TLZ10-LB	1	12/24GB 4mm DAT 5.25" HH
2	DS-BA356-KF	1	Pedestal Storage, UltraW, Single-Bus
2.1	BN19C-2E	2	PowerCable 240V, C-Europe
2.2	BN38C-02	1	Ultra Cbl VHDCI - 68HD
2.3	CK-BA35X-HH	1	180W Stor.Shelf PWR for AS4x00
2.4	DS-RZ1ED-VW	6	18.2GB 10000r UltraSCSI disk
3	DS-BA356-KF	1	Pedestal Storage, UltraW, Single-Bus
3.1	BN19C-2E	2	PowerCable 240V, C-Europe
3.2	BN38C-02	1	Ultra Cbl VHDCI - 68HD
3.3	CK-BA35X-HH	1	180W Stor.Shelf PWR for AS4x00
3.4	DS-RZ1ED-VW	6	18.2GB 10000r UltraSCSI disk
4	DS-TZ89N-TA	1	35/70GB SE DLT-tape TT FWSE
5	BN39C-02	1	1.8 Video Extension Cable ****
6	SN-LKQ47-AF	1	102 KEY KYBD, NON-WIN, Finnish
7	BN19C-2E	2	PowerCable 240V, C-Europe
8	BN38C-02	1	Ultra Cbl VHDCI - 68HD

TZ89N  
DLT  
35/70GB  
BN19C-2E  
BN38C-02

2x BA356



13-Apr-2000 GTALDS20E5  
Matti.Patari@compaq.com

AlphaServer DS20E Linux System  
GOLDEN EGGS Visuals, Helsinki

This template is included in the present GOLDEN EGGS Software kit.

DS20E Linux



# AlphaServer ES40 67/667 Systems, 64bits 667MHz

Model	Tru64 UNIX	OpenVMS	Linux Ready
#1 M1 6xPCI	-CA 512MB DA-62BAA -DA 1GB -EA 2GB	-CA 512MB DY-62BAA -DA 1GB -EA 2GB	DJ-62BAA-CA 512MB
M2 10xPCI	-DA 1GB DA-64BAA -EA 2GB	-DA 1GB DY-64BAA -EA 2GB	

#2 Select Enclosure, Disk Cage, Disk Drive, USCSI Controller, Ethernet and Graphics.

Mini-Tower	Pedestal	Cabinet
BA61M-MT Mini-Tower box	BA61P-PA/PB Pedestal 120/240V	H9A15-MC/MD Cabinet 120V/240V,38U H9C15-TE Cabinet rear extender H9C15-TF Cabinet front door H9C10-MC Ballast kit,40lbs BA61R-RM Rack mount kit YS-ASCAA-AA Factory integration
BA610-4D Disk Drive Cage	KZPCM-DA 2xUSCSI+ Ethernet	KZPCM-DA 2xUSCSI+ Ethernet
3R-A0526-AA Disk 9.1GB 10k	BN37A-02 SCSI cable, 2m	BN37A-02 SCSI cable, 2m
3R-A0561-AA Disk 18.2GB 10k	BA36R-RC Single-buss shelf	BA36R-RC Single-bus shelf
3X-DE600-AA Ethernet 10/100	BA36R-RD Split-buss shelf	BA36R-RD Split-bus shelf
BN25G-10 Cable, twisted	DS-RZ1DD-VW Disk 9.1GB 10k	DS-RZ1DD-VW Disk 9.1GB 10k
SN-PBXGK-BB ElsaGloria 8MB	DS-RZ1ED-VW Disk 18.2GB 10k	DS-RZ1ED-VW Disk 18.2GB 10k
	BN25G-10 Cable, twisted	DS-RZ1ED-VW Disk 18.2GB 10k
	SN-PBXGK-BB ElsaGloria 8MB	SN-PBXGK-BB ElsaGloria 8MB

#3 SVGA color monitor #4 For 240V use, select keyboard and power cord

15" 3R-VRQV5-24/11	SN-LKQ47 UNIX, Lin	-AE GB	-AG G	-AM S	BN19C-2E Europe
17" 3R-VRQP7-24/23		-AB B	-AH NL	-AN N	BN19A-2E GB
North/South		-AD DK	-AI I	-AP F	BN19E-2E CH
BN39C-02 2m ext.cable	LK461 OVMS	-AF FI	-AK CH	-AS E	BN19K-2E DK
					BN19Z-2E I

### Internal options

Memory expansion	Additional CPUs, Max 4	Power supplies, CPU 3-4
MS610-CA 512MB	UNIX KN610-BB 667MHz	H7906-A9 CPU power
MS610-DA 1GB	OVMS KN610-BC 667MHz	DS-BA35X-HH 2nd disk pwr
MS610-EA 2GB	Linux KN610-BA 667MHz	

### Internal storage

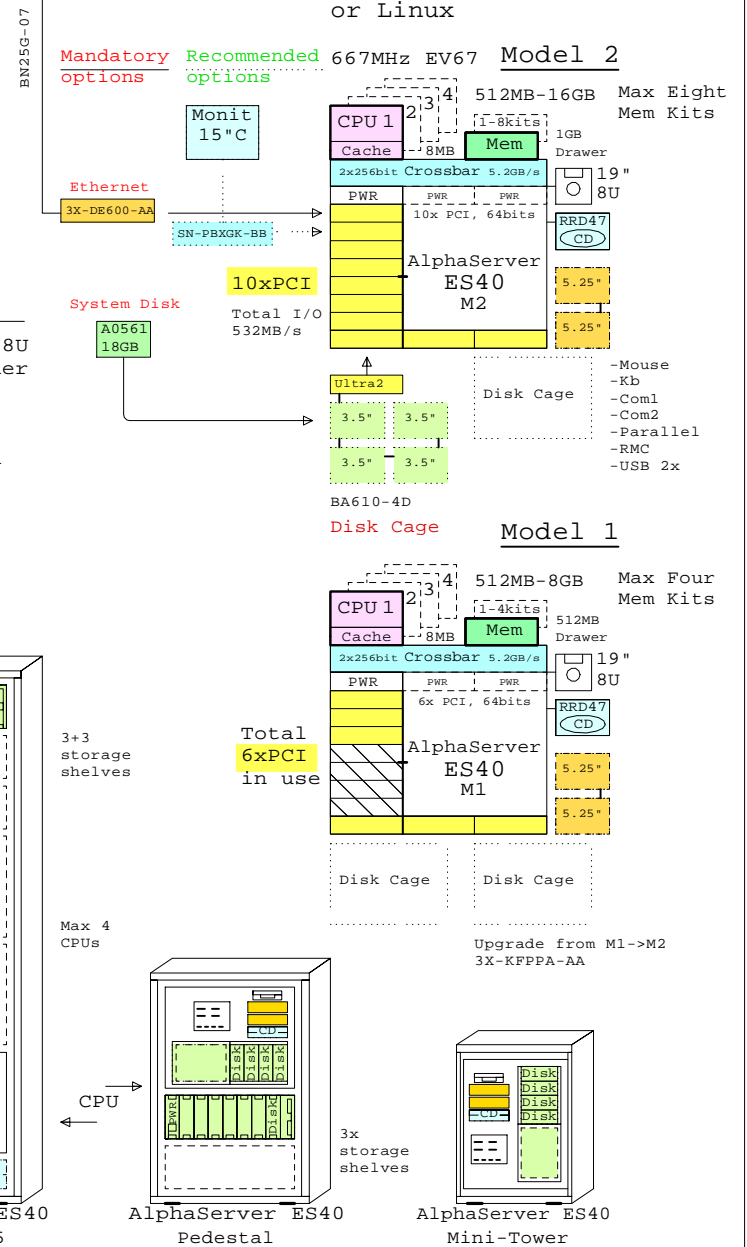
Tape storage	
TLZ10-LB	12/24GB DAT Tape drive
BN46L-01	Multi head SCSI cable
Disk storage	
3R-A0526-AA	9.1GB Universal disk 10k
3R-A0561-AA	18GB Universal disk 10k
KZPBA-CA	UltraSCSI SE adapter
BN38C-02	2m SCSI cable,68HD-VHDCI
KZPCM-DA	Dual UltraSCSI+ Ethernet
BN37A-02	2m SCSI cable,VHDC-VHDC
KZPAC-CB	RAID 3-port, 8MB cache
KZPSC-UB	Cache battery
KZPAC-SB	Dual cable bulkhead
BN37A-02	2m SCSI cable VHDCI-VHDCI

### Controllers

3X-DE600-AA	Fast Ethernet
DEGPA-SA	Gigabit Ethernet
3X-DEFPA-AC	FDDI adapter,SAS MMF
KFP5A-AA	DSSI controller
CIPCA-BA	CI controller
DS-KGPSA-CA	Fibre Channel adapt
168794-B21	---

### External options

Tape storage	
DS-TZ89N-TA	35/70GB DLT tape,TT
BN21K-02	SCSI cable, FWD
BN19C-2E	Power cord, Europe
KZPBA-CA	UltraSCSI SE adapter



	@667MHz
SPECint95	40
SPECfp95	83
SPECweb99	685

Software Processor Code: **E**

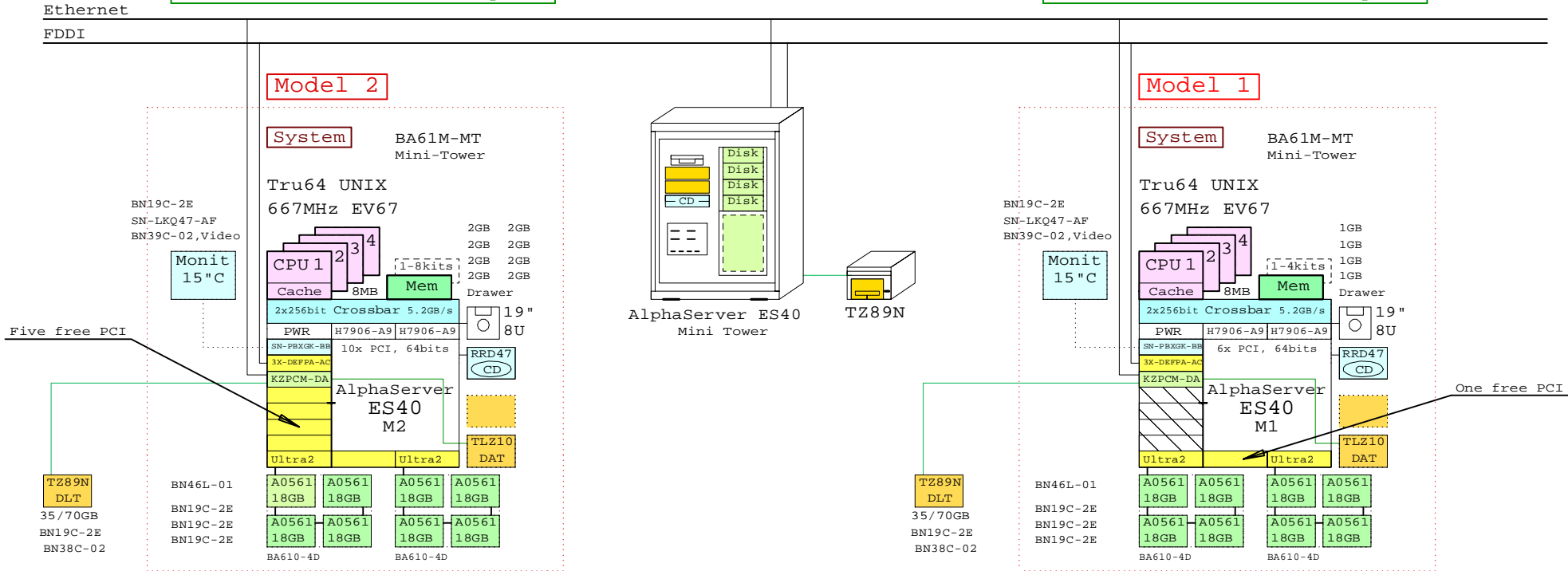
**COMPAQ** 20-Apr-2000 GEAES402  
Matti.Patari@compaq.com

AlphaServer ES40 667MHz Syst.  
GOLDEN EGGS Visuals, Helsinki

ES40

ES40 Model 2 Mini Tower System

ES40 Model 1 Mini Tower System



Bill of material, Model 2

Part Number	Qty	Description
1	1	BA61M-MT ES40 Mini-Tower Enclosure
1.1	1	BN19C-2E PowerCable 240V, C-Europe
1.2	1	DA-64BAA-EA ES40 67/667 Model 2 2GB UNIX 10PCI DWR
1.2.1	1	3R-VRQV5-24 COMPAQ V55 CLR MON,NH,TC095
1.2.2	1	3X-DEFPA-AC PCI to FDDI SAS MMF with SC,Universal
1.2.3	1	BA610-4D ES40 Disk Drive Cage, 4Bay
1.2.3.1	4	3R-A0561-AA 18.2GB 10000r Universal Disk
1.2.4	1	BA610-4D ES40 Disk Drive Cage, 4Bay
1.2.4.1	4	3R-A0561-AA 18.2GB 10000r Universal Disk
1.2.5	3	BN19C-2E PowerCable 240V, C-Europe
1.2.6	1	BN39C-02 1.8 Video Extension Cable ****
1.2.7	1	BN46L-01 Multi head SCSI cable,ES40
1.2.8	2	H7906-A9 ES40 Power Sply, 2nd or 3rd
1.2.9	3	KN610-BB ES40 6/667MHz UNIX SMP 8mb cache
1.2.10	1	KZPCM-DA Dual Uscsi with FastEther PCI
1.2.11	7	MS610-EA ES40 2GB Memory Option
1.2.12	1	SN-PBXGK-BB Elsa Gloria Synergy 8M Video Graphics
1.2.13	1	TLZ10-LB 12/24GB 4mm DAT 5.25" HH
1.3	1	SN-LKQ47-AF 102 KEY KYBD,NON-WIN, Finnish
2	1	DS-TZ89N-TA 35/70GB SE DLT-tape TT FWSE
3	1	BN19C-2E PowerCable 240V, C-Europe
4	1	BN38C-02 Ultra Cbl VHDCI - 68HD

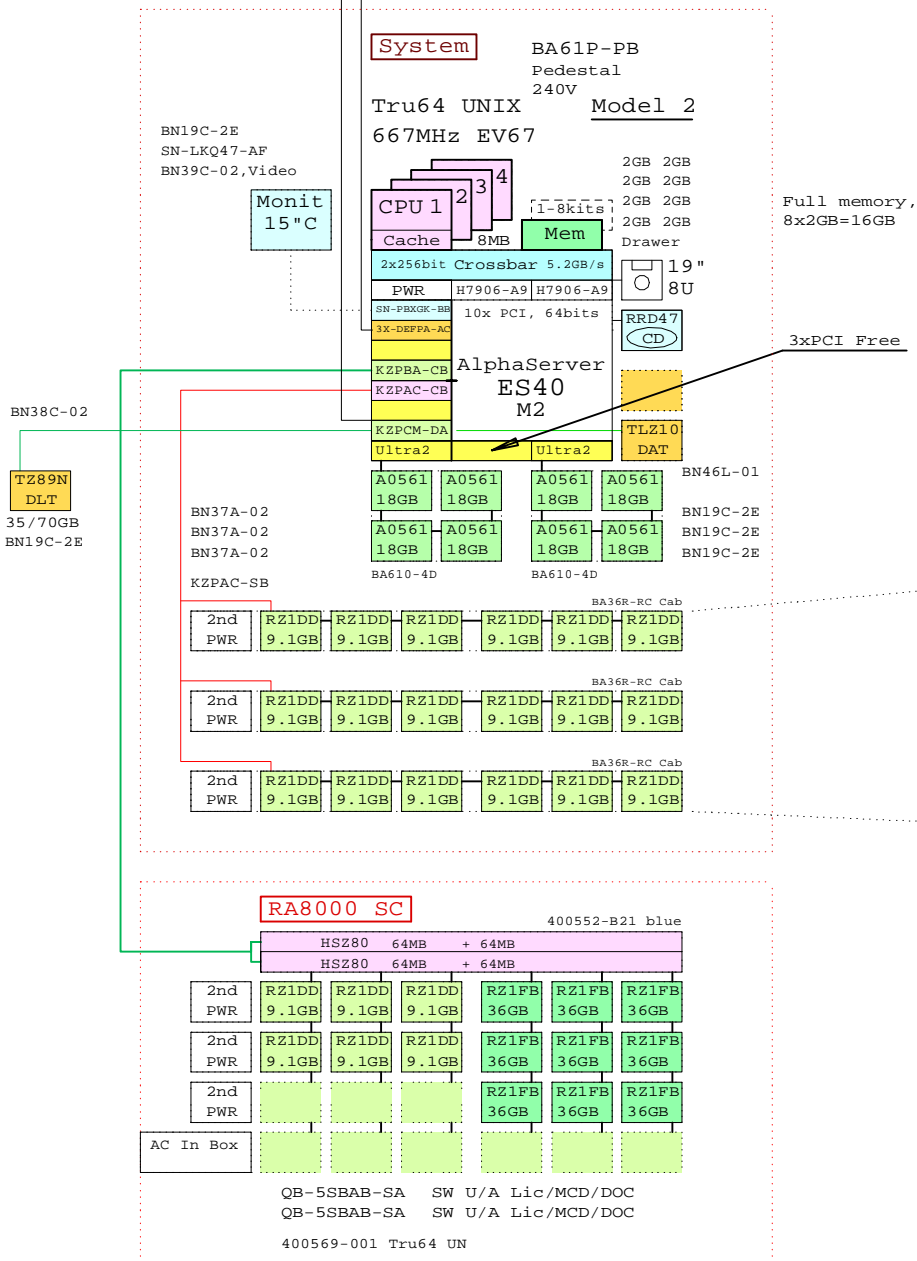
Bill of material, Model 1

Part Number	Qty	Description
1	1	BA61M-MT ES40 Mini-Tower Enclosure
1.1	1	BN19C-2E PowerCable 240V, C-Europe
1.2	1	DA-62BAA-DA ES40 67/667 Model 1 1GB UNIX 6PCI DWR
1.2.1	1	3R-VRQV5-24 COMPAQ V55 CLR MON,NH,TC095
1.2.2	1	3X-DEFPA-AC PCI to FDDI SAS MMF with SC,Universal
1.2.3	1	BA610-4D ES40 Disk Drive Cage, 4Bay
1.2.3.1	4	3R-A0561-AA 18.2GB 10000r Universal Disk
1.2.4	1	BA610-4D ES40 Disk Drive Cage, 4Bay
1.2.4.1	4	3R-A0561-AA 18.2GB 10000r Universal Disk
1.2.5	3	BN19C-2E PowerCable 240V, C-Europe
1.2.6	1	BN39C-02 1.8 Video Extension Cable ****
1.2.7	1	BN46L-01 Multi head SCSI cable,ES40
1.2.8	2	H7906-A9 ES40 Power Sply, 2nd or 3rd
1.2.9	3	KN610-BB ES40 6/667MHz UNIX SMP 8mb cache
1.2.10	1	KZPCM-DA Dual Uscsi with FastEther PCI
1.2.11	3	MS610-DA ES40 1GB Memory Option
1.2.12	1	SN-LKQ47-AF 102 KEY KYBD,NON-WIN, Finnish
1.2.13	1	SN-PBXGK-BB Elsa Gloria Synergy 8M Video Graphics
1.2.14	1	TLZ10-LB 12/24GB 4mm DAT 5.25" HH
2	1	DS-TZ89N-TA 35/70GB SE DLT-tape TT FWSE
3	1	BN19C-2E PowerCable 240V, C-Europe
4	1	BN38C-02 Ultra Cbl VHDCI - 68HD

**ES40 Model 2 Pedestal System**

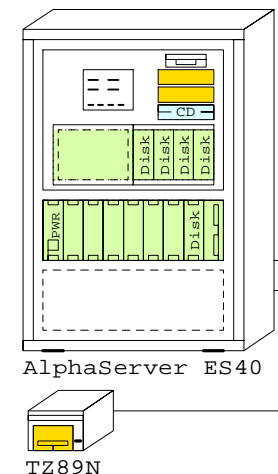
Ethernet

FDDI



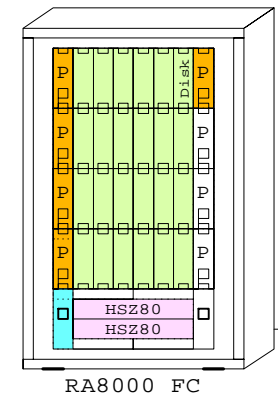
**Bill of material for the base Pedestal**

Part Number	Qty	Description
1	1	ES40 67/667 Model 2 2GB UNIX 10PCI DWR
1.1	1	COMPAQ V55 CLR MON,NH,TC095
1.2	1	PCI to FDDI SAS MMF with SC,Universal
1.3	1	ES40 Disk Drive Cage, 4Bay
1.3.1	4	18.2GB 10000r Universal Disk
1.4	1	ES40 Disk Drive Cage, 4Bay
1.4.1	4	18.2GB 10000r Universal Disk
1.5	2	ES40 Power Syplly, 2nd or 3rd
1.6	3	ES40 6/667MHz UNIX SMP 8mb cache
1.7	1	PCI to UltraSCSI Adapter Uwdif
1.8	1	Dual Ucsai with FastEther PCI
1.9	7	ES40 2GB Memory Option
1.10	1	Elsa Gloria Synergy 8M Video Graphics
1.11	1	12/24GB 4mm DAT 5.25" HH
2	1	35/70GB SE DLT-tape TT FWSE
3	1	1.8 Video Extension Cable ****
4	1	102 KEY KYBD,NON-WIN, Finnish
5	5	PowerCable 240V, C-Europe
6	1	Ultra Cbl VHDCI - 68HD
7	1	Multi head SCSI cable,ES40



**BOM for the RAID disks in pedestal**

Part Number	Qty	Description
1	1	RH ULTRASCSCI SHELF CAB SINGLE
1.1	1	180W Stor.Shelf PWR for AS4x00
1.2	6	9.1GB 10000r UltraSCSI disk
2	1	RH ULTRASCSCI SHELF CAB SINGLE
2.1	1	180W Stor.Shelf PWR for AS4x00
2.2	6	9.1GB 10000r UltraSCSI disk
3	1	RH ULTRASCSCI SHELF CAB SINGLE
3.1	1	180W Stor.Shelf PWR for AS4x00
3.2	6	9.1GB 10000r UltraSCSI disk
4	1	3 Chan. SCSI RAID 8MB UltraW
5	3	Ultra Cbl VHDCI - VHDCI
6	1	Dual bulk head



**BOM for the external RA8000 RAID**

Part Number	Qty	Description
1	1	RA8000 SC 2x HSZ80 64MB Blue pedestal
1.1	1	AC INPUT BOX BA370
1.2	3	180W power supply Blu SBB
1.3	2	64MB Cache Upg for HSZ70
1.4	6	9.1GB 10000r UltraSCSI disk
1.5	9	36GB 7200 UltraSCSI Disk
2	2	HSZ70 SW UNIX Alp LIC/MCD/DOC
3	1	Ultra opt OS Software Tru64 UNIX
4	1	PCI to UltraSCSI Adapter Uwdif

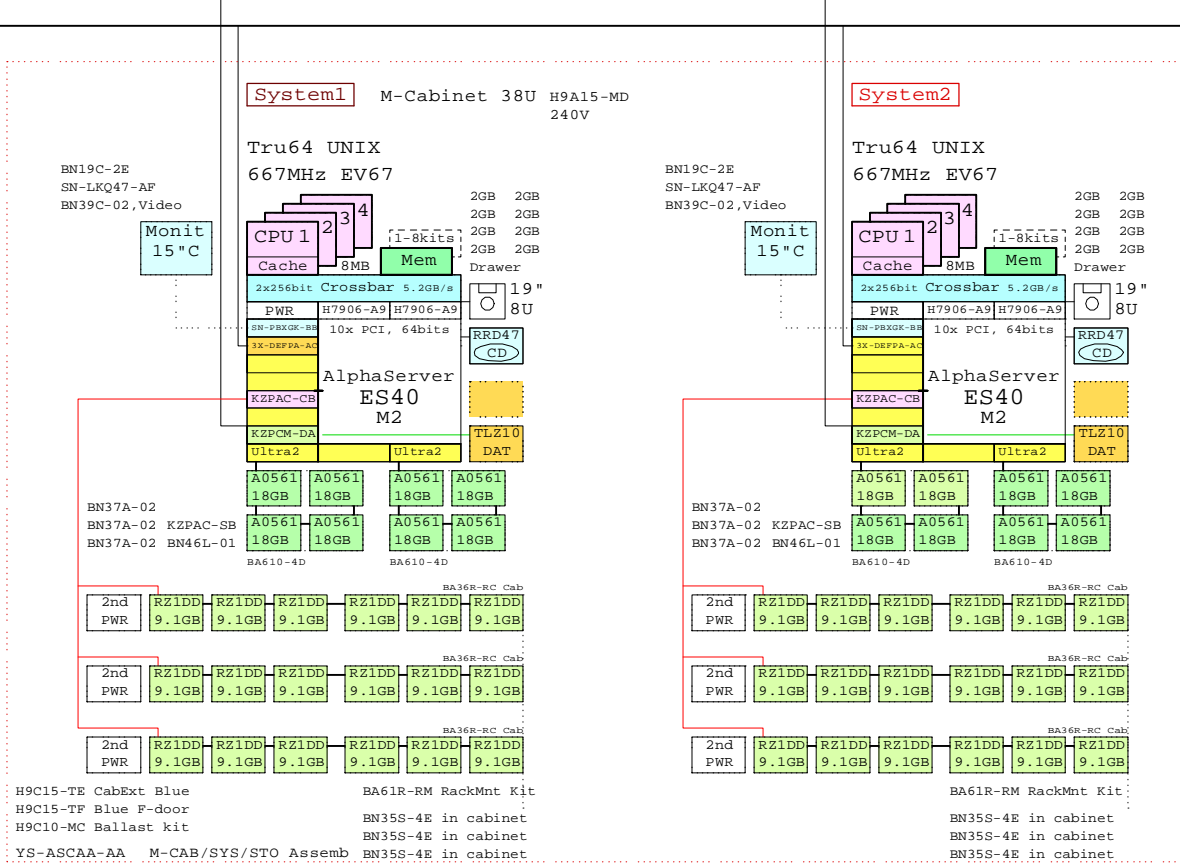
**COMPAQ** 19-Apr-2000 GTAUES406  
 Matti.Patari@compaq.com

AlphaServer ES40 UNIX Pedestal  
 GOLDEN EGGS Visuals, Helsinki

ES40 Model 2 Systems in Cabinet M15

Ethernet

FDDI

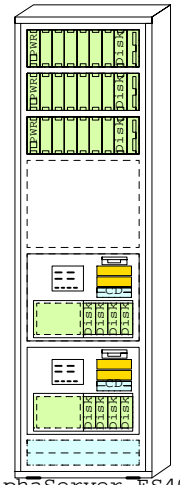


Bill of material for Cabinet and System 1

Part Number	Qty	Description
1	1	H9A15-MD 1 M-Series Cab,H9A15,Blue,240V 38U
1.1	1	BA36R-RC 1 RH ULTRASCSCI SHELF CAB SINGLE
1.1.1	1	CK-BA35X-HH 1 180W Stor.Shelf PWR for AS4x00
1.1.2	6	DS-RZ1DD-VW 6 9.1GB 10000r UltraSCSI disk
1.2	1	BA36R-RC 1 RH ULTRASCSCI SHELF CAB SINGLE
1.2.1	1	CK-BA35X-HH 1 180W Stor.Shelf PWR for AS4x00
1.2.2	6	DS-RZ1DD-VW 6 9.1GB 10000r UltraSCSI disk
1.3	1	BA36R-RC 1 RH ULTRASCSCI SHELF CAB SINGLE
1.3.1	1	CK-BA35X-HH 1 180W Stor.Shelf PWR for AS4x00
1.3.2	6	DS-RZ1DD-VW 6 9.1GB 10000r UltraSCSI disk
1.4	1	BA61R-RM 1 ES40 Rackmount Kit
1.5	1	BN19C-2E 1 PowerCable 240V, C-Europe
1.6	3	BN35S-4E 3 PowerCord Cl3 to Cl4, Non US
1.7	3	BN37A-02 3 Ultra Cbl VHDCI - VHDCI
1.8	1	BN39C-02 1 1.8 Video Extension Cable ****
1.9	1	DA-64BAA-EA 1 ES40 67/667 Model 2 2GB UNIX 10PCI DWR
1.9.1	1	3R-VRQV5-24 1 COMPAQ V55 CLR MON,NH,TCO95
1.9.2	1	3X-DEPPA-AC 1 PCI to FDDI SAS MMF with SC,Universal
1.9.3	1	BA610-4D 1 ES40 Disk Drive Cage, 4Bay
1.9.3.1	4	3R-A0561-AA 4 18.2GB 10000r Universal Disk
1.9.4	1	BA610-4D 1 ES40 Disk Drive Cage, 4Bay
1.9.4.1	4	3R-A0561-AA 4 18.2GB 10000r Universal Disk
1.9.5	1	BN46L-01 1 Multi head SCSI cable,ES40
1.9.6	2	H7906-A9 2 ES40 Power Sply, 2nd or 3rd
1.9.7	3	KN610-BB 3 ES40 6/667MHz UNIX SMP 8mb cache
1.9.8	1	KZPAC-CB 1 3 Chan. SCSI RAID 8MB Ultra
1.9.9	1	KZPCM-SB 1 Dual bulk head
1.9.10	1	KZPCM-DA 1 Dual Uscsi with FastEther PCI
1.9.11	7	MS610-EA 7 ES40 2GB Memory Option
1.9.12	1	SN-PBXGK-BB 1 Elsa Gloria Synergy 8M Video Graphics
1.9.13	1	TLZ10-LB 1 12/24GB 4mm DAT 5.25" HH
1.10	1	H9C10-MC 1 Ballast Kit for cabinets
1.11	1	H9C15-TE 1 Rear cab extender for H9A15 Blue
1.12	1	H9C15-TF 1 FrontDoorKit Blue for H9A15
1.13	1	SN-LKQ47-AF 1 102 KEY KYBD, NON-WIN, Finnish
1.14	1	YS-ASCAA-AA 1 M-CAB/SYS/STO Assembly

Bill of material for System 2

Part Number	Qty	Description
1	1	DA-64BAA-EA 1 ES40 67/667 Model 2 2GB UNIX 10PCI DWR
1.1	1	3R-VRQV5-24 1 COMPAQ V55 CLR MON,NH,TCO95
1.2	1	3X-DEPPA-AC 1 PCI to FDDI SAS MMF with SC,Universal
1.3	1	BA610-4D 1 ES40 Disk Drive Cage, 4Bay
1.3.1	4	3R-A0561-AA 4 18.2GB 10000r Universal Disk
1.4	1	BA610-4D 1 ES40 Disk Drive Cage, 4Bay
1.4.1	4	3R-A0561-AA 4 18.2GB 10000r Universal Disk
1.5	1	BN46L-01 1 Multi head SCSI cable,ES40
1.6	2	H7906-A9 2 ES40 Power Sply, 2nd or 3rd
1.7	3	KN610-BB 3 ES40 6/667MHz UNIX SMP 8mb cache
1.8	1	KZPAC-CB 1 3 Chan. SCSI RAID 8MB Ultra
1.9	1	KZPCM-SB 1 Dual bulk head
1.10	1	KZPCM-DA 1 Dual Uscsi with FastEther PCI
1.11	7	MS610-EA 7 ES40 2GB Memory Option
1.12	1	SN-PBXGK-BB 1 Elsa Gloria Synergy 8M Video Graphics
1.13	1	TLZ10-LB 1 12/24GB 4mm DAT 5.25" HH
2	1	BA61R-RM 1 ES40 Rackmount Kit
3	3	BN35S-4E 3 PowerCord Cl3 to Cl4, Non US
4	3	CK-BA35X-HH 3 180W Stor.Shelf PWR for AS4x00
5	18	DS-RZ1DD-VW 18 9.1GB 10000r UltraSCSI disk
6	1	BN39C-02 1 1.8 Video Extension Cable ****
7	1	SN-LKQ47-AF 1 102 KEY KYBD, NON-WIN, Finnish
8	3	BN37A-02 3 Ultra Cbl VHDCI - VHDCI
9	1	BN19C-2E 1 PowerCable 240V, C-Europe



This template is included in the present GOLDEN EGGS Software kit.

AlphaServer ES40

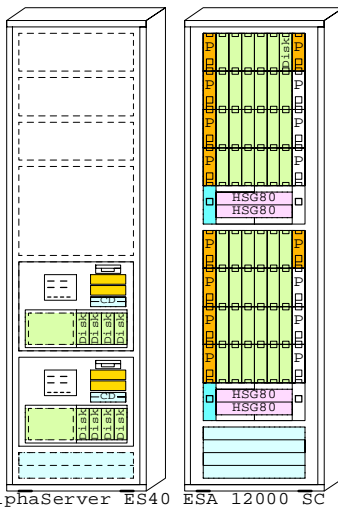
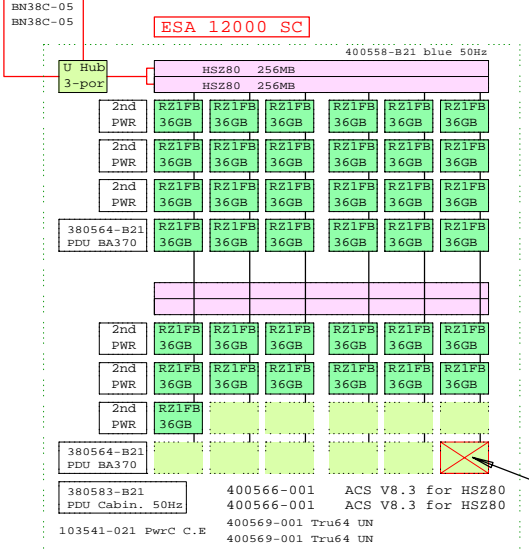
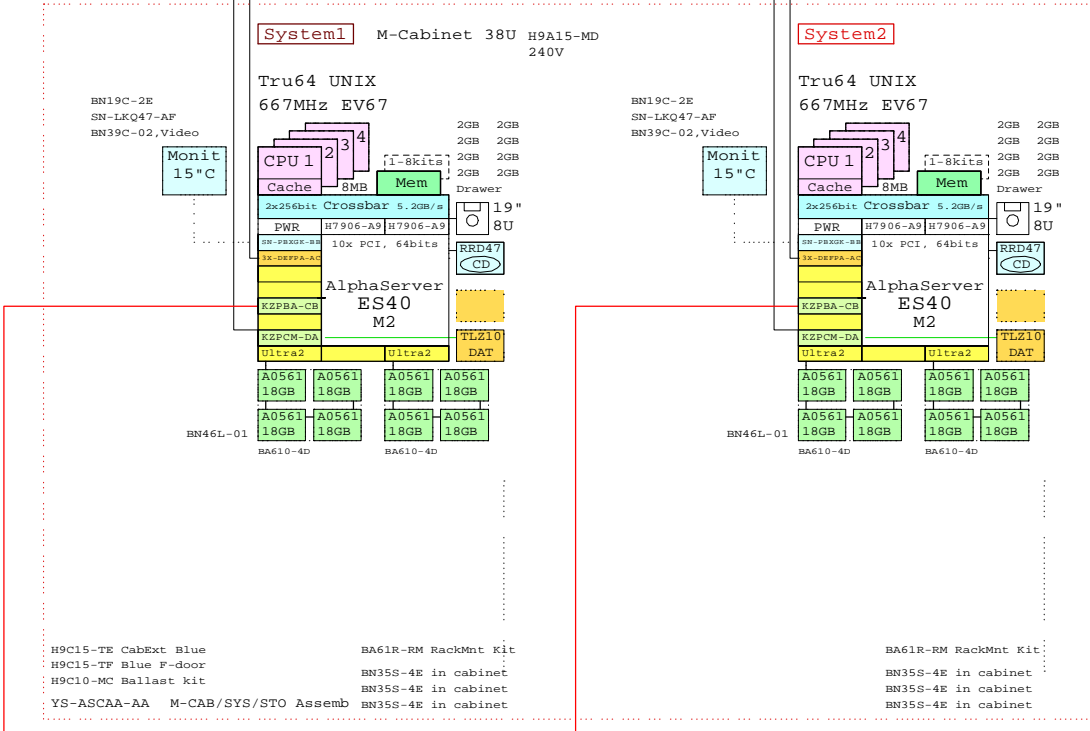
ES40 UNIX

**COMPAQ** 19-Apr-2000 GTAUES407  
Matti.Patari@compaq.com

AlphaServer ES40 UNIX Cabinet  
GOLDEN EGGS Visuals, Helsinki

ES40 Model 2 Cluster with external storage

Ethernet  
FDDI



Bill of material for two cabinet Cluster

	Part Number	Qty	Description
1	H9A15-MD	1	M-Series Cab,H9A15,Blue,240V 38U
1.1	BA61R-RM	2	ES40 Rackmount Kit
1.2	BN19C-2E	2	PowerCable 240V, C-Europe
1.3	BN35S-4E	6	PowerCord C13 to C14, Non US
1.4	BN39C-02	2	1.8 Video Extension Cable ****
1.5	DA-64BAA-EA	1	ES40 67/667 Model 2 2GB UNIX 10PCI DWR
1.5.1	3R-VRQV5-24	1	COMPAQ V55 CLR MON,NH,TC095
1.5.2	3X-DEFFA-AC	1	PCI to FDDI SAS MMF with SC,Universal
1.5.3	BA610-4D	1	ES40 Disk Drive Cage, 4Bay
1.5.3.1	3R-A0561-AA	4	18.2GB 10000r Universal Disk
1.5.4	BA610-4D	1	ES40 Disk Drive Cage, 4Bay
1.5.4.1	3R-A0561-AA	4	18.2GB 10000r Universal Disk
1.5.5	BN46L-01	1	Multi head SCSI cable,ES40
1.5.6	H7906-A9	2	ES40 Power Syply, 2nd or 3rd
1.5.7	KN610-BB	3	ES40 6/667MHz UNIX SMP 8mb cache
1.5.8	KZPBA-CB	1	PCI to UltraSCSI Adapter UWd1f
1.5.9	KZPCM-DA	1	Dual Ucsdi with FastEther PCI
1.5.10	MS610-EA	7	ES40 2GB Memory Option
1.5.11	SN-PBXGK-BB	1	Elsa Gloria Synergy 8M Video Graphics
1.5.12	TLZ10-LB	1	12/24GB 4mm DAT 5.25" HH
1.6	DA-64BAA-EA	1	ES40 67/667 Model 2 2GB UNIX 10PCI DWR
1.6.1	3R-VRQV5-24	1	COMPAQ V55 CLR MON,NH,TC095
1.6.2	3X-DEFFA-AC	1	PCI to FDDI SAS MMF with SC,Universal
1.6.3	BA610-4D	1	ES40 Disk Drive Cage, 4Bay
1.6.3.1	3R-A0561-AA	4	18.2GB 10000r Universal Disk
1.6.4	BA610-4D	1	ES40 Disk Drive Cage, 4Bay
1.6.4.1	3R-A0561-AA	4	18.2GB 10000r Universal Disk
1.6.5	BN46L-01	1	Multi head SCSI cable,ES40
1.6.6	H7906-A9	2	ES40 Power Syply, 2nd or 3rd
1.6.7	KN610-BB	3	ES40 6/667MHz UNIX SMP 8mb cache
1.6.8	KZPBA-CB	1	PCI to UltraSCSI Adapter UWd1f
1.6.9	KZPCM-DA	1	Dual Ucsdi with FastEther PCI
1.6.10	MS610-EA	7	ES40 2GB Memory Option
1.6.11	SN-PBXGK-BB	1	Elsa Gloria Synergy 8M Video Graphics
1.6.12	TLZ10-LB	1	12/24GB 4mm DAT 5.25" HH
1.7	H9C10-MC	1	Ballast Kit for cabinets
1.8	H9C15-TE	1	Rear cab extender for H9A15 Blue
1.9	H9C15-TF	1	FrontDoorKit Blue for H9A15
1.10	SN-LKQ47-AF	2	102 KEY KYBD,NON-WIN, Finnish
1.11	YS-ASCAA-AA	1	M-CAB/SYS/STO Assembly
2	400558-B21	1	ESA1200 SC 50Hz 2x24 2xCnt blue
2.1	103541-021	1	Power Cord 13-20A C.Europe
2.2	380564-B21	2	Power Distribution Unit RA8k/7k
2.3	380565-B21	6	Power Suply 180W Hot Plug SBB
2.4	380583-B21	1	ESA1200 Cabinet PDU 50Hz
2.5	400566-001	2	HSZ80 Controller Software ACS V8.3
2.6	400569-001	2	Ultra opt OS Software Tru64 UNIX
2.7	DS-DWZHH-03	1	Ucsdi Act hub 0 SE:3/Dif 3.5" SBB
2.8	DS-RZ1FB-VW	37	36GB 7200 UltraSCSI Disk
3	BN38C-05	2	Ultra Cbl VHDCl - 68HD

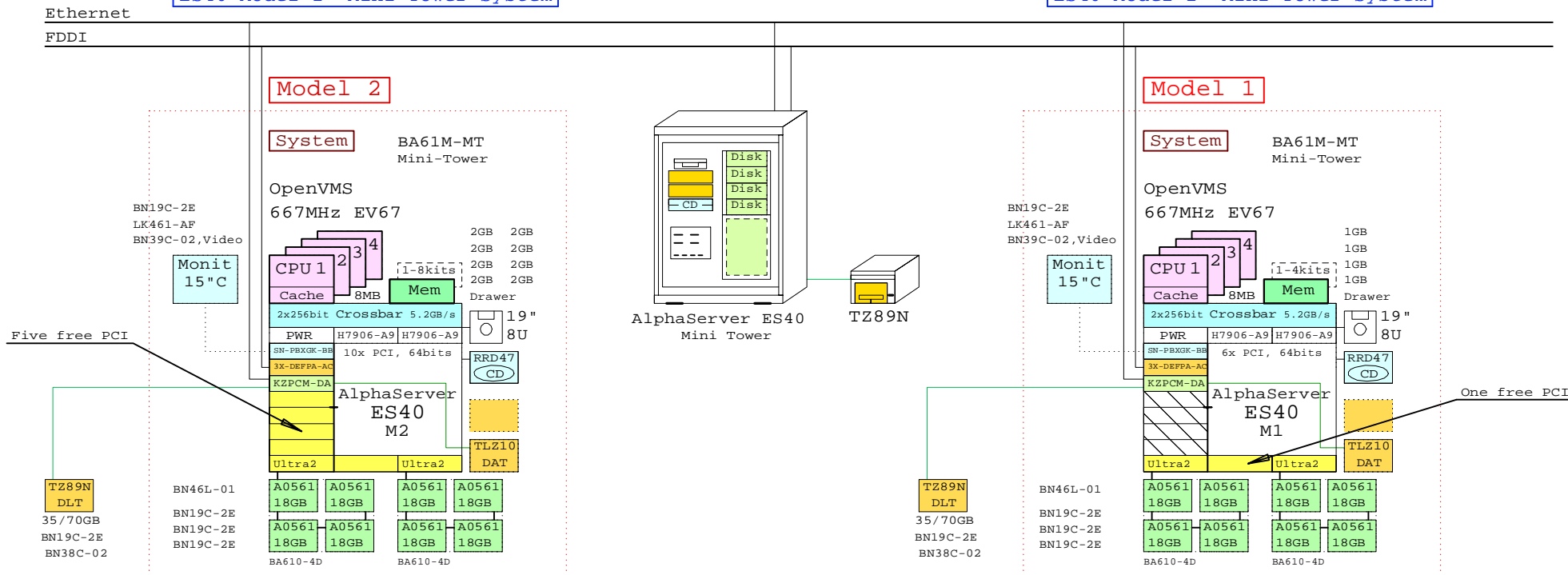
**COMPAQ** 19-Apr-2000 | GTAUES408  
Matti.Patari@compaq.com

ES40 UNIX  
AlphaServer ES40 UNIX Cluster  
GOLDEN EGGS Visuals, Helsinki

This template is included in the present GOLDEN EGGS Software kit.

ES40 Model 2 Mini Tower System

ES40 Model 1 Mini Tower System



Bill of material, Model 2

Part Number	Qty	Description
1	1	BA61M-MT ES40 Mini-Tower Enclosure
1.1	1	BN19C-2E PowerCable 240V, C-Europe
1.2	1	DY-64BAA-EA ES40 67/667 Model 2 2GB OVMS 10PCI DWR
1.2.1	1	3R-VRQV5-24 COMPAQ V55 CLR MON,NH,TC095
1.2.2	1	3X-DEFPA-AC PCI to FDDI SAS MMF with SC,Universal
1.2.3	1	BA610-4D ES40 Disk Drive Cage, 4Bay
1.2.3.1	4	3R-A0561-AA 18.2GB 10000r Universal Disk
1.2.4	1	BA610-4D ES40 Disk Drive Cage, 4Bay
1.2.4.1	4	3R-A0561-AA 18.2GB 10000r Universal Disk
1.2.5	3	BN19C-2E PowerCable 240V, C-Europe
1.2.6	1	BN39C-02 1.8 Video Extension Cable ****
1.2.7	1	BN46L-01 Multi head SCSI cable,ES40
1.2.8	2	H7906-A9 ES40 Power Syply, 2nd or 3rd
1.2.9	3	KN610-BC ES40 6/667MHz OVMS SMP 8mb cache
1.2.10	1	KZPCM-DA Dual Uscsi with FastEther PCI
1.2.11	7	MS610-EA ES40 2GB Memory Option
1.2.12	1	SN-PBXGK-BB Elsa Gloria Synergy 8M Video Graphics
1.2.13	1	TLZ10-LB 12/24GB 4mm DAT 5.25" HH
1.3	1	LK461-AF VMS STYLE KEYBOARD, Fin/Swed
2	1	DS-TZ89N-TA 35/70GB SE DLT-tape TT FWSE
3	1	BN19C-2E PowerCable 240V, C-Europe
4	1	BN38C-02 Ultra Cbl VHDCI - 68HD

Bill of material, Model 1

Part Number	Qty	Description
1	1	BA61M-MT ES40 Mini-Tower Enclosure
1.1	1	BN19C-2E PowerCable 240V, C-Europe
1.2	1	DY-62BAA-DA ES40 67/667 Model 1 1GB OVMS 6PCI DWR
1.2.1	1	3R-VRQV5-24 COMPAQ V55 CLR MON,NH,TC095
1.2.2	1	3X-DEFPA-AC PCI to FDDI SAS MMF with SC,Universal
1.2.3	1	BA610-4D ES40 Disk Drive Cage, 4Bay
1.2.3.1	4	3R-A0561-AA 18.2GB 10000r Universal Disk
1.2.4	1	BA610-4D ES40 Disk Drive Cage, 4Bay
1.2.4.1	4	3R-A0561-AA 18.2GB 10000r Universal Disk
1.2.5	3	BN19C-2E PowerCable 240V, C-Europe
1.2.6	1	BN39C-02 1.8 Video Extension Cable ****
1.2.7	1	BN46L-01 Multi head SCSI cable,ES40
1.2.8	2	H7906-A9 ES40 Power Syply, 2nd or 3rd
1.2.9	3	KN610-BC ES40 6/667MHz OVMS SMP 8mb cache
1.2.10	1	KZPCM-DA Dual Uscsi with FastEther PCI
1.2.11	3	MS610-DA ES40 1GB Memory Option
1.2.12	1	SN-PBXGK-BB Elsa Gloria Synergy 8M Video Graphics
1.2.13	1	TLZ10-LB 12/24GB 4mm DAT 5.25" HH
1.3	1	LK461-AF VMS STYLE KEYBOARD, Fin/Swed
2	1	DS-TZ89N-TA 35/70GB SE DLT-tape TT FWSE
3	1	BN19C-2E PowerCable 240V, C-Europe
4	1	BN38C-02 Ultra Cbl VHDCI - 68HD

This template is included in the present GOLDEN EGGS Software kit.

ES40 OVMS

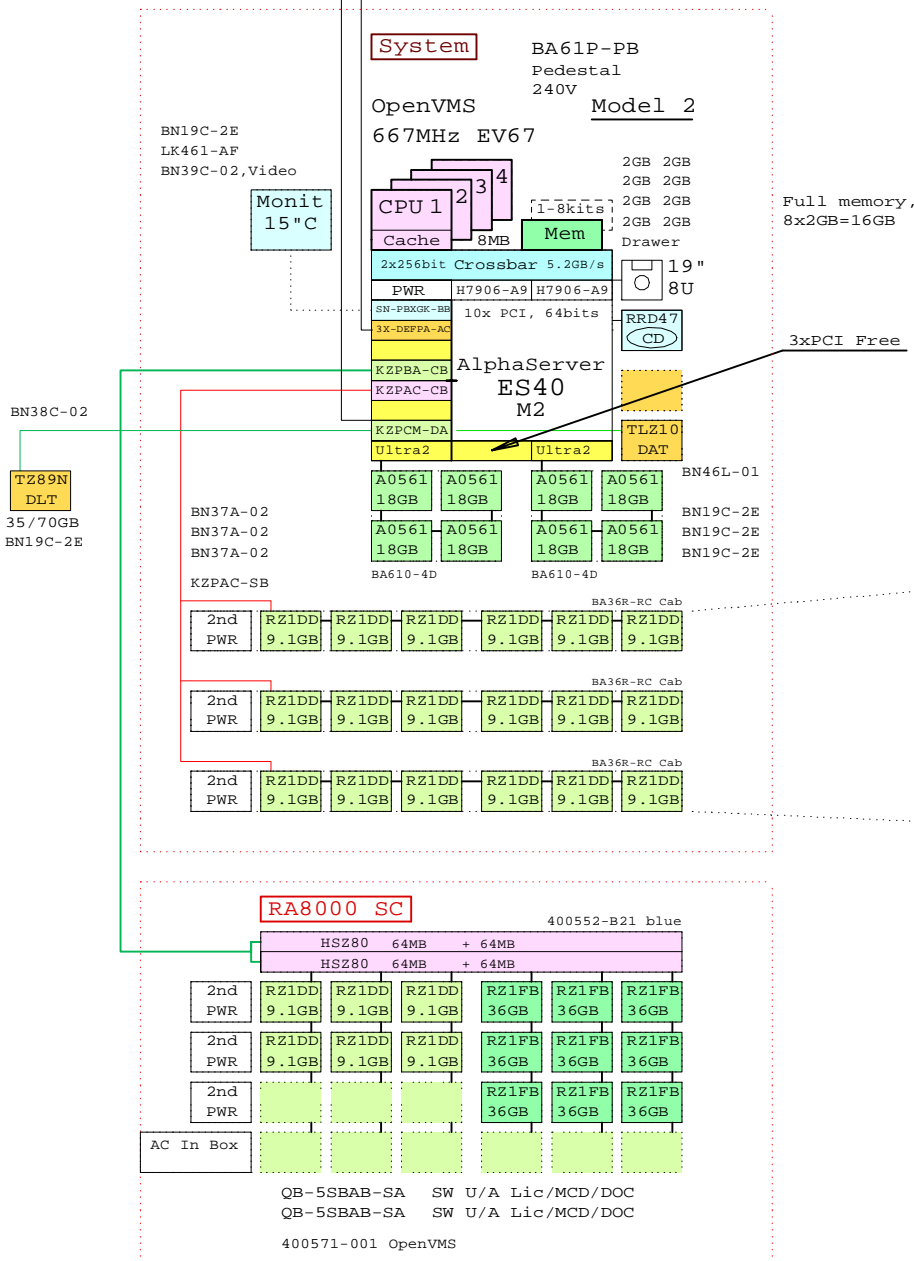
**COMPAQ** 19-Apr-2000 GTAVES405  
Matti.Patari@compaq.com

AlphaServer ES40 OpenVMS Tower  
GOLDEN EGGS Visuals, Helsinki

**ES40 Model 2 Pedestal System**

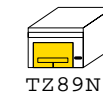
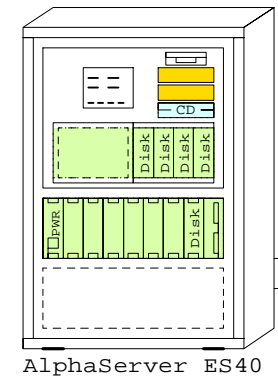
Ethernet

FDDI



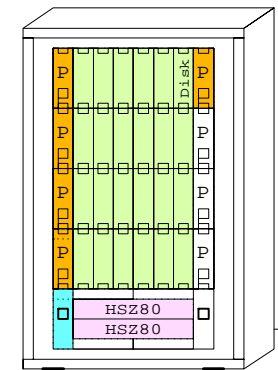
**Bill of material for the base Pedestal**

Part Number	Qty	Description
1	DY-64BAA-EA	1 ES40 67/667 Model 2 2GB OVMS 10PCI DWR
1.1	3R-VRQV5-24	1 COMPAQ V55 CLR MON,NH,TC095
1.2	3X-DEFPA-AC	1 PCI to FDDI SAS MMF with SC,Universal
1.3	BA610-4D	1 ES40 Disk Drive Cage, 4Bay
1.3.1	3R-A0561-AA	4 18.2GB 10000r Universal Disk
1.4	BA610-4D	1 ES40 Disk Drive Cage, 4Bay
1.4.1	3R-A0561-AA	4 18.2GB 10000r Universal Disk
1.5	H7906-A9	2 ES40 Power Syplly, 2nd or 3rd
1.6	KN610-BC	3 ES40 6/667MHz OVMS SMP 8mb cache
1.7	KZPBA-CB	1 PCI to UltraSCSI Adapter Uwdif
1.8	KZPCM-DA	1 Dual Uscsi with FastEther PCI
1.9	MS610-EA	7 ES40 2GB Memory Option
1.10	SN-PBXGK-BB	1 Elsa Gloria Synergy 8M Video Graphics
1.11	TLZ10-LB	1 12/24GB 4mm DAT 5.25" HH
2	BN39C-02	1 1.8 Video Extension Cable ****
3	BN19C-2E	4 PowerCable 240V, C-Europe
4	BN46L-01	1 Multi head SCSI cable,ES40
5	LK461-AF	1 VMS STYLE KEYBOARD, Fin/Swed



**BOM for the RAID disks in pedestal**

Part Number	Qty	Description
1	BA36R-RC	1 RH ULTRASCSI SHELF CAB SINGLE
1.1	CK-BA35X-HH	1 180W Stor.Shelf PWR for AS4x00
1.2	DS-RZ1DD-VW	6 9.1GB 10000r UltraSCSI disk
2	BA36R-RC	1 RH ULTRASCSI SHELF CAB SINGLE
2.1	CK-BA35X-HH	1 180W Stor.Shelf PWR for AS4x00
2.2	DS-RZ1DD-VW	6 9.1GB 10000r UltraSCSI disk
3	BA36R-RC	1 RH ULTRASCSI SHELF CAB SINGLE
3.1	CK-BA35X-HH	1 180W Stor.Shelf PWR for AS4x00
3.2	DS-RZ1DD-VW	6 9.1GB 10000r UltraSCSI disk
4	KZPAC-CB	1 3 Chan. SCSI RAID 8MB UltraW
5	BN37A-02	3 Ultra Cbl VHDCI - VHDCI
6	KZPAC-SB	1 Dual bulk head



**BOM for the external RA8000 RAID**

Part Number	Qty	Description
1	400552-B21	1 RA8000 SC 2x HSZ80 64MB Blue pedestal
1.1	DS-BA35X-HE	1 AC INPUT BOX BA370
1.2	DS-BA35X-HH	3 180W power supply Blu SBB
1.3	DS-HSSIM-AB	2 64MB Cache Upg for HSZ70
1.4	DS-RZ1DD-VW	6 9.1GB 10000r UltraSCSI disk
1.5	DS-RZ1FB-VW	9 36GB 7200 UltraSCSI Disk
2	QB-5SBAB-SA	2 HSZ70 SW UNIX Alp LIC/MCD/DOC
3	400571-001	1 Ultra opt OS Software OpenVMS
4	KZPBA-CB	1 PCI to UltraSCSI Adapter Uwdif

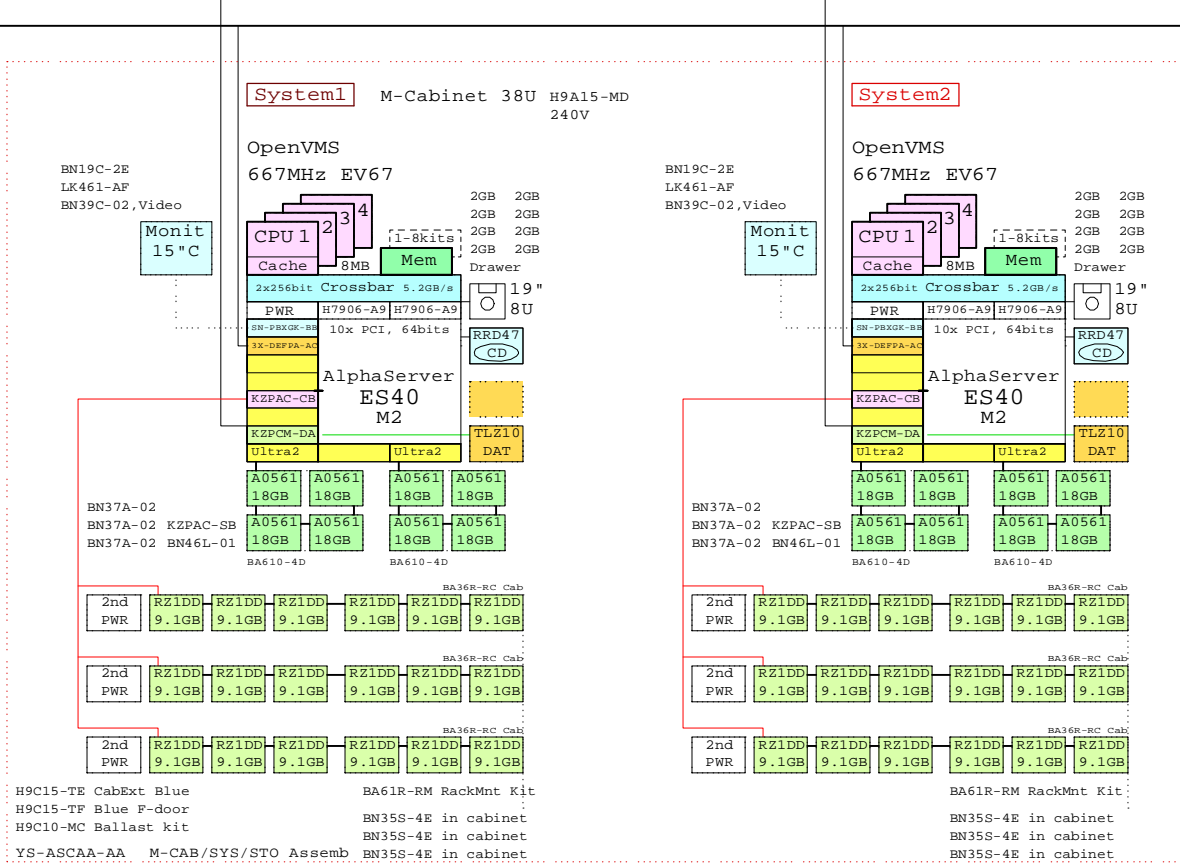
**COMPAQ** 19-Apr-2000 GTAVES406  
Matti.Patari@compaq.com

AlphaServer ES40 OpenVMS Ped.  
GOLDEN EGGS Visuals, Helsinki

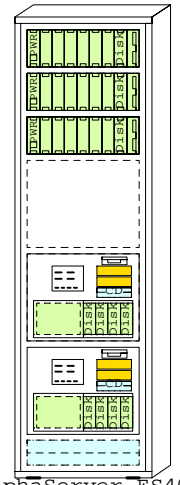
ES40 Model 2 Systems in Cabinet M15

Ethernet

FDDI



- H9C15-TE CabExt Blue
- H9C15-TF Blue F-door
- H9C10-MC Ballast kit
- YS-ASCAA-AA M-CAB/SYS/STO Assemb
- BA61R-RM RackMnt Kit
- BN35S-4E in cabinet
- BN35S-4E in cabinet
- BN35S-4E in cabinet



AlphaServer ES40

Bill of material for Cabinet and System 1

Part Number	Qty	Description
1	1	H9A15-MD 1 M-Series Cab,H9A15,Blue,240V 38U
1.1	1	BA36R-RC 1 RH ULTRASCSCI SHELF CAB SINGLE
1.1.1	1	CK-BA35X-HH 1 180W Stor.Shelf PWR for AS4x00
1.1.2	6	DS-RZ1DD-VW 6 9.1GB 10000r UltraSCSI disk
1.2	1	BA36R-RC 1 RH ULTRASCSCI SHELF CAB SINGLE
1.2.1	1	CK-BA35X-HH 1 180W Stor.Shelf PWR for AS4x00
1.2.2	6	DS-RZ1DD-VW 6 9.1GB 10000r UltraSCSI disk
1.3	1	BA36R-RC 1 RH ULTRASCSCI SHELF CAB SINGLE
1.3.1	1	CK-BA35X-HH 1 180W Stor.Shelf PWR for AS4x00
1.3.2	6	DS-RZ1DD-VW 6 9.1GB 10000r UltraSCSI disk
1.4	1	BA61R-RM 1 ES40 Rackmount Kit
1.5	1	BN19C-2E 1 PowerCable 240V, C-Europe
1.6	3	BN35S-4E 3 PowerCord C13 to C14, Non US
1.7	3	BN37A-02 3 Ultra Cbl VHDCI - VHDCI
1.8	1	BN39C-02 1 1.8 Video Extension Cable ****
1.9	1	DY-64BAA-EA 1 ES40 67/667 Model 2 2GB OVMS 10PCI DWR
1.9.1	1	3R-VRQV5-24 1 COMPAQ V55 CLR MON,NH,TCO95
1.9.2	1	3X-DEFFA-AC 1 PCI to FDDI SAS MMF with SC,Universal
1.9.3	1	BA610-4D 1 ES40 Disk Drive Cage, 4Bay
1.9.3.1	4	3R-A0561-AA 4 18.2GB 10000r Universal Disk
1.9.4	1	BA610-4D 1 ES40 Disk Drive Cage, 4Bay
1.9.4.1	4	3R-A0561-AA 4 18.2GB 10000r Universal Disk
1.9.5	1	BM46L-01 1 Multi head SCSI cable,ES40
1.9.6	2	H7906-A9 2 ES40 Power Sply, 2nd or 3rd
1.9.7	3	KN610-BC 3 ES40 6/667MHz OVMS SMP 8mb cache
1.9.8	1	KZPAC-CB 1 3 Chan. SCSI RAID 8MB UltraW
1.9.9	1	KZPAC-SB 1 Dual bulk head
1.9.10	1	KZPCM-DA 1 Dual Uscsi with FastEther PCI
1.9.11	7	MS610-EA 7 ES40 2GB Memory Option
1.9.12	1	SN-PBXGK-BB 1 Elsa Gloria Synergy 8M Video Graphics
1.9.13	1	TLZ10-LB 1 12/24GB 4mm DAT 5.25" HH
1.10	1	H9C10-MC 1 Ballast Kit for cabinets
1.11	1	H9C15-TE 1 Rear cab extender for H9A15 Blue
1.12	1	H9C15-TF 1 FrontDoorKit Blue for H9A15
1.13	1	LK461-AF 1 VMS STYLE KEYBOARD, Fin/Swed
1.14	1	YS-ASCAA-AA 1 M-CAB/SYS/STO Assembly

Bill of material for System 2

Part Number	Qty	Description
1	1	DY-64BAA-EA 1 ES40 67/667 Model 2 2GB OVMS 10PCI DWR
1.1	1	3R-VRQV5-24 1 COMPAQ V55 CLR MON,NH,TCO95
1.2	1	3X-DEFFA-AC 1 PCI to FDDI SAS MMF with SC,Universal
1.3	1	BA610-4D 1 ES40 Disk Drive Cage, 4Bay
1.3.1	4	3R-A0561-AA 4 18.2GB 10000r Universal Disk
1.4	1	BA610-4D 1 ES40 Disk Drive Cage, 4Bay
1.4.1	4	3R-A0561-AA 4 18.2GB 10000r Universal Disk
1.5	1	BN46L-01 1 Multi head SCSI cable,ES40
1.6	2	H7906-A9 2 ES40 Power Sply, 2nd or 3rd
1.7	3	KN610-BC 3 ES40 6/667MHz OVMS SMP 8mb cache
1.8	1	KZPAC-CB 1 3 Chan. SCSI RAID 8MB UltraW
1.9	1	KZPAC-SB 1 Dual bulk head
1.10	1	KZPCM-DA 1 Dual Uscsi with FastEther PCI
1.11	7	MS610-EA 7 ES40 2GB Memory Option
1.12	1	SN-PBXGK-BB 1 Elsa Gloria Synergy 8M Video Graphics
1.13	1	TLZ10-LB 1 12/24GB 4mm DAT 5.25" HH
2	1	BA61R-RM 1 ES40 Rackmount Kit
3	3	BN35S-4E 3 PowerCord C13 to C14, Non US
4	3	CK-BA35X-HH 3 180W Stor.Shelf PWR for AS4x00
5	18	DS-RZ1DD-VW 18 9.1GB 10000r UltraSCSI disk
6	1	BN39C-02 1 1.8 Video Extension Cable ****
7	3	BN37A-02 3 Ultra Cbl VHDCI - VHDCI
8	1	BN19C-2E 1 PowerCable 240V, C-Europe
9	1	LK461-AF 1 VMS STYLE KEYBOARD, Fin/Swed

This template is included in the present GOLDEN EGGS Software kit.

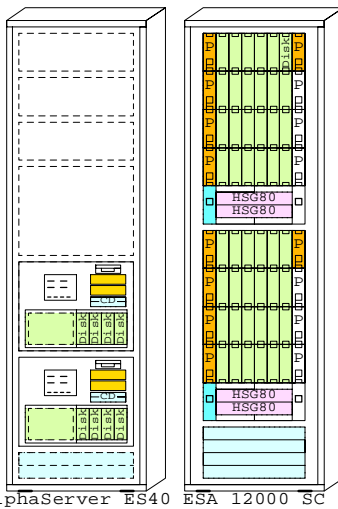
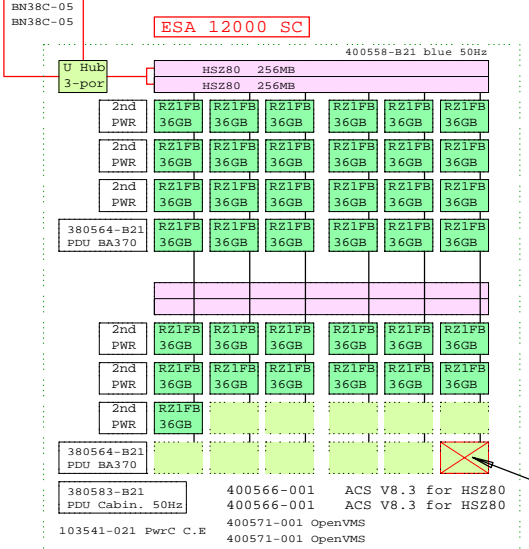
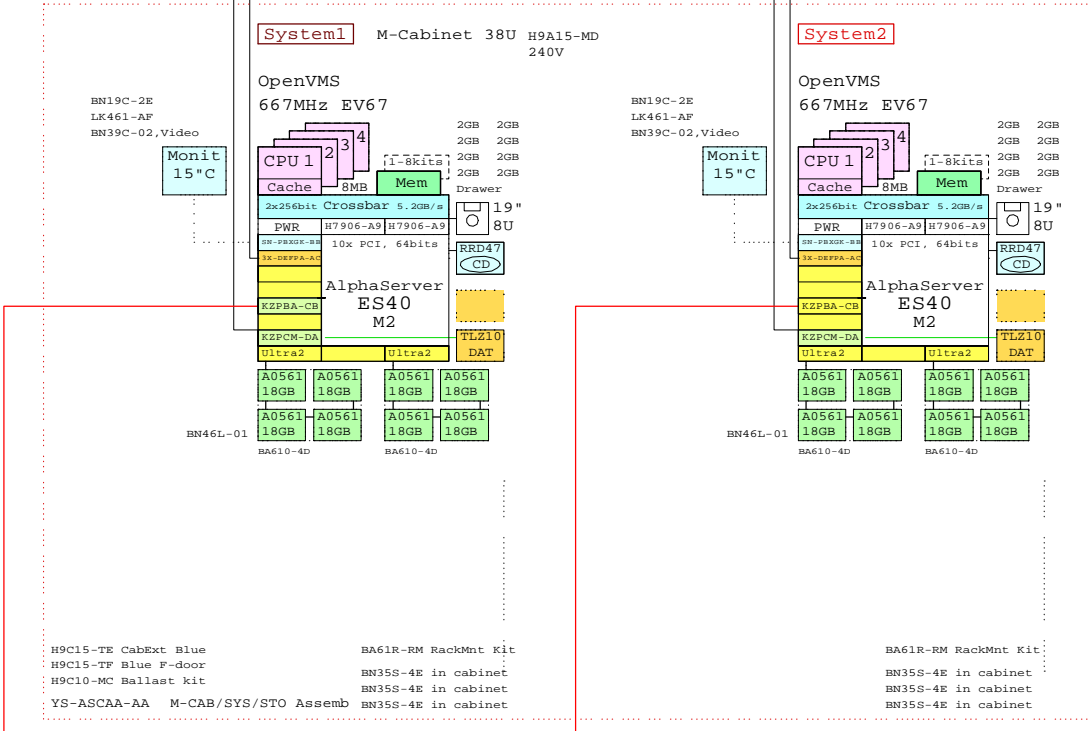
ES40 OVMS

**COMPAQ** 19-Apr-2000 GTAVES407  
 Matti.Patari@compaq.com  
 AlphaServer ES40 OpenVMS Cab.  
 GOLDEN EGGS Visuals, Helsinki



ES40 Model 2 Cluster with external storage

Ethernet  
FDDI



Bill of material for two cabinet Cluster

Part Number	Qty	Description
1	H9A15-MD	1 M-Series Cab,H9A15,Blue,240V 38U
1.1	BA61R-RM	2 ES40 Rackmount Kit
1.2	BN19C-2E	2 PowerCable 240V, C-Europe
1.3	BN35S-4E	6 PowerCord C13 to C14, Non US
1.4	BN39C-02	2 1.8 Video Extension Cable ****
1.5	DY-64BAA-EA	1 ES40 67/667 Model 2 2GB OVMS 10PCI DWR
1.5.1	3R-VRQV5-24	1 COMPAQ V55 CLR MON,NH,TCO95
1.5.2	3X-DEFFPA-AC	1 PCI to FDDI SAS MMF with SC,Universal
1.5.3	BA610-4D	1 ES40 Disk Drive Cage, 4Bay
1.5.3.1	3R-A0561-AA	4 18.2GB 10000r Universal Disk
1.5.4	BA610-4D	1 ES40 Disk Drive Cage, 4Bay
1.5.4.1	3R-A0561-AA	4 18.2GB 10000r Universal Disk
1.5.5	BN46L-01	1 Multi head SCSI cable,ES40
1.5.6	H7906-A9	2 ES40 Power Sply, 2nd or 3rd
1.5.7	KN610-BC	3 ES40 6/667MHz OVMS SMP 8mb cache
1.5.8	KZPBA-CB	1 PCI to UltraSCSI Adapter UWDif
1.5.9	KZPCM-DA	1 Dual Uscci with FastEther PCI
1.5.10	MS610-EA	7 ES40 2GB Memory Option
1.5.11	SN-PRXGK-BB	1 Elsa Gloria Synergy 8M Video Graphics
1.5.12	TLZ10-LB	1 12/24Gb 4mm DAT 5.25" HH
1.6	DY-64BAA-EA	1 ES40 67/667 Model 2 2GB OVMS 10PCI DWR
1.6.1	3R-VRQV5-24	1 COMPAQ V55 CLR MON,NH,TCO95
1.6.2	3X-DEFFPA-AC	1 PCI to FDDI SAS MMF with SC,Universal
1.6.3	BA610-4D	1 ES40 Disk Drive Cage, 4Bay
1.6.3.1	3R-A0561-AA	4 18.2GB 10000r Universal Disk
1.6.4	BA610-4D	1 ES40 Disk Drive Cage, 4Bay
1.6.4.1	3R-A0561-AA	4 18.2GB 10000r Universal Disk
1.6.5	BN46L-01	1 Multi head SCSI cable,ES40
1.6.6	H7906-A9	2 ES40 Power Sply, 2nd or 3rd
1.6.7	KN610-BC	3 ES40 6/667MHz OVMS SMP 8mb cache
1.6.8	KZPBA-CB	1 PCI to UltraSCSI Adapter UWDif
1.6.9	KZPCM-DA	1 Dual Uscci with FastEther PCI
1.6.10	MS610-EA	7 ES40 2GB Memory Option
1.6.11	SN-PRXGK-BB	1 Elsa Gloria Synergy 8M Video Graphics
1.6.12	TLZ10-LB	1 12/24Gb 4mm DAT 5.25" HH
1.7	H9C10-MC	1 Ballast Kit for cabinets
1.8	H9C15-TE	1 Rear cab extender for H9A15 Blue
1.9	H9C15-TF	1 FrontDoorKit Blue for H9A15
1.10	LK461-AF	2 VMS STYLE KEYBOARD, Fin/Swed
1.11	YS-ASCAA-AA	1 M-CAB/SYS/STO Assembly
2	400558-B21	1 ESA1200 SC 50Hz 2x24 2xCnt blue
2.1	103541-021	1 Power Cord 13-20A C.Europe
2.2	380564-B21	2 Power Distribution Unit RA8k/7k
2.3	380565-B21	6 Power Sply 180W Hot Plug SBB
2.4	380583-B21	1 ESA1200 Cabinet PDU 50Hz
2.5	400566-001	2 HSZ80 Controller Software ACS V8.3
2.6	400571-001	2 Ultra opt OS Software OpenVMS
2.7	DS-DWZZH-03	1 Uscci Act hub 0 SE:3/Dif 3.5" SBB
2.8	DS-RZ1FB-VW	37 36GB 7200 UltraSCSI Disk
3	BN38C-05	2 Ultra Cbl VHDCI - 68HD

**COMPAQ** 19-Apr-2000 GTAVES408  
Matti.Patari@compaq.com

ES40 OVMS AlphaServer ES40 OpenVMS Clust  
GOLDEN EGGS Visuals, Helsinki

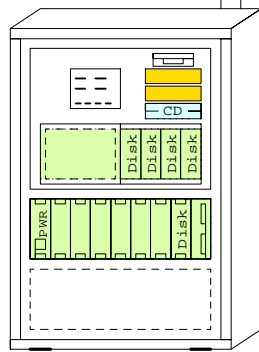
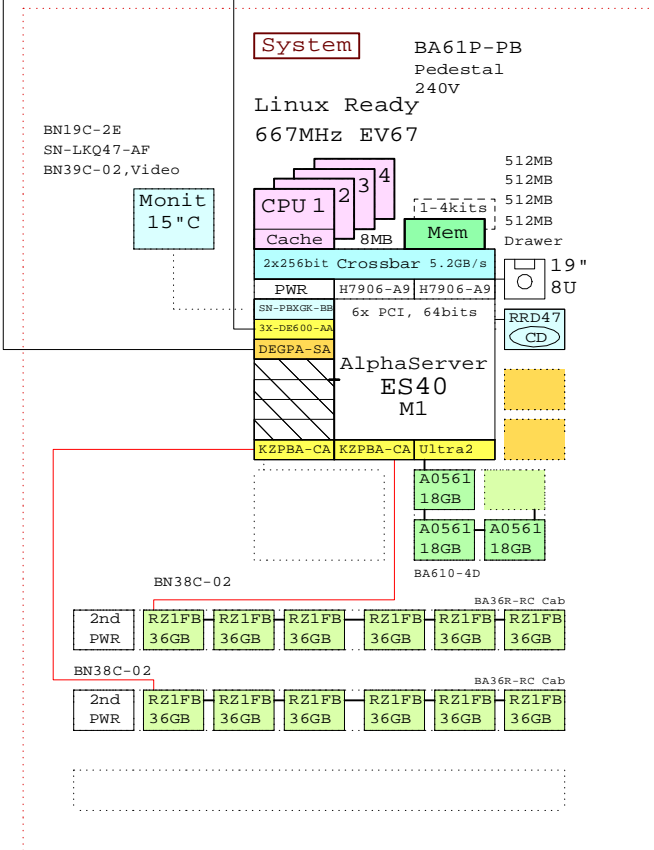
This template is included in the present GOLDEN EGGS Software kit.

Ethernet

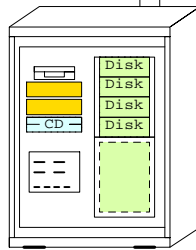
ES40 Model 1 Pedestal System

ES40 Model 1 Mini Tower System

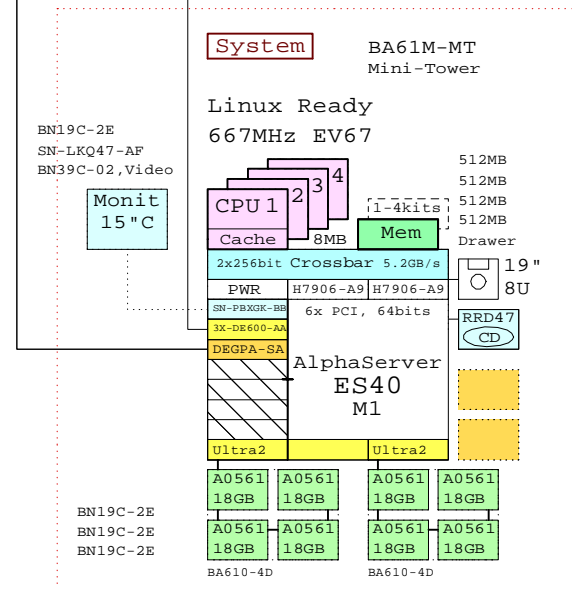
Gigabit Ethernet



AlphaServer ES40 Pedestal



AlphaServer ES40 Mini Tower



Part Number	Qty	Description
1	1	BA61P-PB ES40 Pedestal Enclosure 240V Europe
1.1	1	BA36R-RC RH ULTRASCASI SHELF CAB SINGLE
1.1.1	1	CK-BA35X-HH 180W Stor.Shelf PWR for AS4x00
1.1.2	6	DS-RZ1FB-VW 36GB 7200 UltraSCSI Disk
1.2	1	BA36R-RC RH ULTRASCASI SHELF CAB SINGLE
1.2.1	1	CK-BA35X-HH 180W Stor.Shelf PWR for AS4x00
1.2.2	6	DS-RZ1FB-VW 36GB 7200 UltraSCSI Disk
1.3	1	BN19C-2E PowerCable 240V, C-Europe
1.4	2	BN38C-02 Ultra Cbl VHDCI - 68HD
1.5	1	BN39C-02 1.8 Video Extension Cable ****
1.6	1	DJ-62BAA-CA ES40 67/667 Model 1 512MB LinuxReady 6PC
1.6.1	1	3R-VRQV5-24 COMPAQ V55 CLR MON,NH,TC095
1.6.2	1	3X-DE600-AA 10/100 1xChannel Ethernet, Twisted
1.6.3	1	BA610-4D ES40 Disk Drive Cage, 4Bay
1.6.3.1	3	3R-A0561-AA 18.2GB 10000r Universal Disk
1.6.4	1	DEGPA-SA PCI to GigaBitEthernet SX Adap
1.6.5	2	H7906-A9 ES40 Power Syply, 2nd or 3rd
1.6.6	3	KN610-BA ES40 6/667MHz SMP 8mb cache
1.6.7	2	KZPBA-CA PCI to UltraSCSI Adapter UWSE
1.6.8	3	MS610-CA ES40 512MB Memory Option
1.6.9	1	SN-PBXGK-BB 1 Elsa Gloria Synergy 8M Video Graphics
1.7	1	SN-LKQ47-AF 102 KEY KYBD, NON-WIN, Finnish

Part Number	Qty	Description
1	1	BA61M-MT ES40 Mini-Tower Enclosure
1.1	1	BN19C-2E PowerCable 240V, C-Europe
1.2	1	DJ-62BAA-CA ES40 67/667 Model 1 512MB LinuxReady 6PC
1.2.1	1	3R-VRQV5-24 COMPAQ V55 CLR MON,NH,TC095
1.2.2	1	3X-DE600-AA 10/100 1xChannel Ethernet, Twisted
1.2.3	1	BA610-4D ES40 Disk Drive Cage, 4Bay
1.2.3.1	4	3R-A0561-AA 18.2GB 10000r Universal Disk
1.2.4	1	BA610-4D ES40 Disk Drive Cage, 4Bay
1.2.4.1	4	3R-A0561-AA 18.2GB 10000r Universal Disk
1.2.5	3	BN19C-2E PowerCable 240V, C-Europe
1.2.6	1	BN39C-02 1.8 Video Extension Cable ****
1.2.7	1	DEGPA-SA PCI to GigaBitEthernet SX Adap
1.2.8	2	H7906-A9 ES40 Power Syply, 2nd or 3rd
1.2.9	3	KN610-BA ES40 6/667MHz SMP 8mb cache
1.2.10	3	MS610-CA ES40 512MB Memory Option
1.2.11	1	SN-PBXGK-BB 1 Elsa Gloria Synergy 8M Video Graphics
1.3	1	SN-LKQ47-AF 102 KEY KYBD, NON-WIN, Finnish

This template is included in the present GOLDEN EGGS Software kit.

ES40 Linux

**COMPAQ** 19-Apr-2000 GTALES405  
Matti.Patari@compaq.com

AlphaServer ES40 Linux Systems  
GOLDEN EGGS Visuals, Helsinki

# AlphaServer GS60E 6/700 Systems

## Expanded Base Servers

DA-484GE-AA/AB	Tru64 UNIX	1GB
DA-484GG-AA/AB	Tru64 UNIX	4GB
DY-484GE-AA/AB	OpenVMS	1GB
DY-484GG-AA/AB	OpenVMS	4GB

120/240V

## Additional Dual CPU modules

3X-764P2-AX	UNIX 2-cpu
3X-764P1-AX	OVMS 2-cpu



## Memory modules

MS7CC-EA	1GB
MS7CC-FA	2GB
MS7CC-GA	4GB

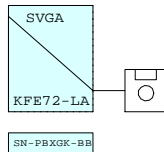


## Disk drives

DS-RZ1DD-VW	9.1GB UltraSCSI disk	10k
DS-RZ1ED-VW	18 GB UltraSCSI disk	10K
DS-RZ1FB-VW	36 GB UltraSCSI disk	10k

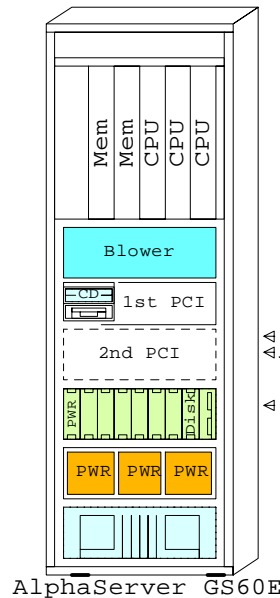
## Graphics console

3X-KFE72-LA
SN-PBXGK-BB

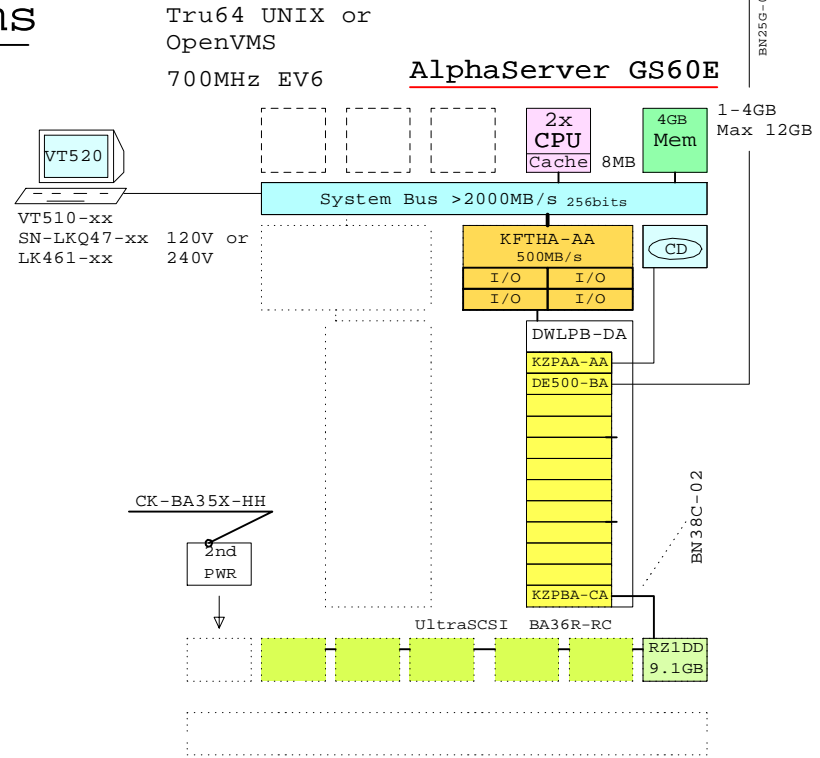


## PCI options

DE500-AA	Fast Ethernet 10/100
DE450-CA	Ethernet, thin/thic/twis
DEFPA-AB	FDDI adapter, SAS MMF
DEFPA-DB	FDDI adapter, DAS MMF
DEFPA-UB	FDDI adapter, SAS TP-PMD
CIPCA-BA	CI controller
KZPBA-CA	UltraSCSI SE controller
KZPBA-CB	UltraSCSI Dif controller



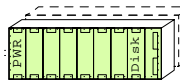
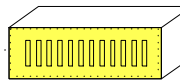
AlphaServer GS60E



## 7 Slots total

CPU 1-4 Min/Max  
Mem 1-3  
I/O 1-3

DWLPB-DA PCI



BA36R-RC Single ch  
BA36R-RD Dual ch

## AlphaServer GS60E

Tru64 UNIX or  
OpenVMS  
700MHz EV6

## Licenses included:

- DIGITAL UNIX V4.0E, Base license, Unlimited User license, Server Extension license, and Internet Access Software license and Netscape's Enterprise Server 3.0.
- OpenVMS V7.1-2, Base license and DIGITAL Enterprise Integration Package.

@700MHz  
SPECint95 39  
SPECfp95 68  
SPECweb96  
TPC 32515@5\$1

Software Processor Code: G

<b>COMPAQ</b>	01-Nov-1999	GEAGS60E2
	Matti.Patari@compaq.com	

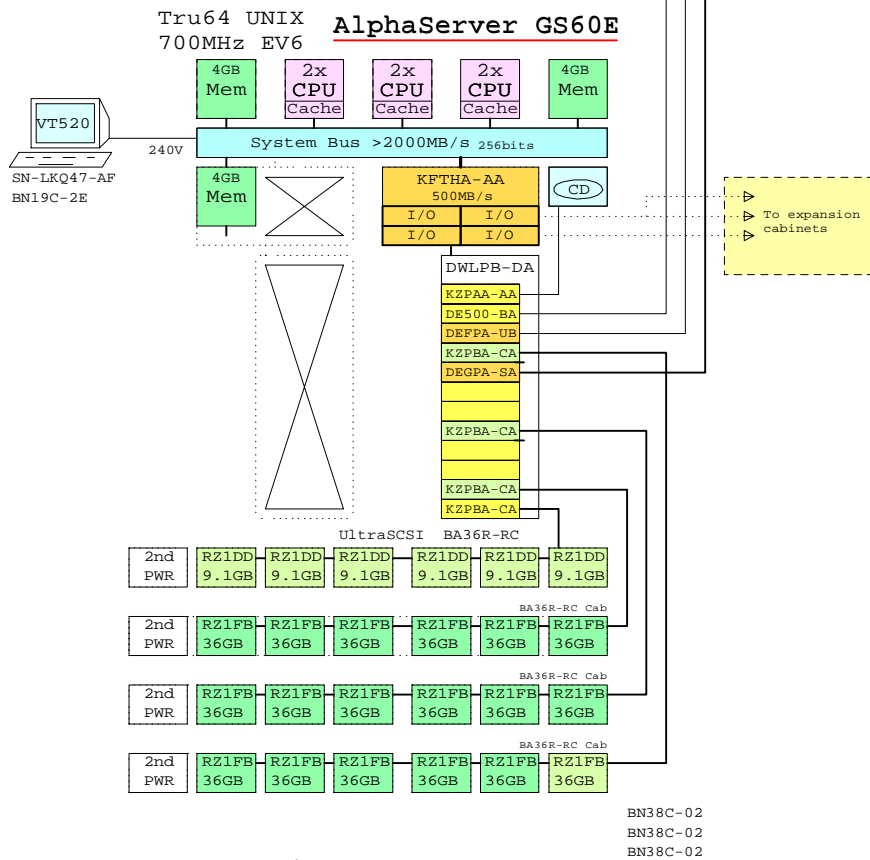
AlphaServer GS60E 6/700 System  
GOLDEN EGGS Visuals, Helsinki

# AlphaServer GS60E Tru64 UNIX systems

Ethernet

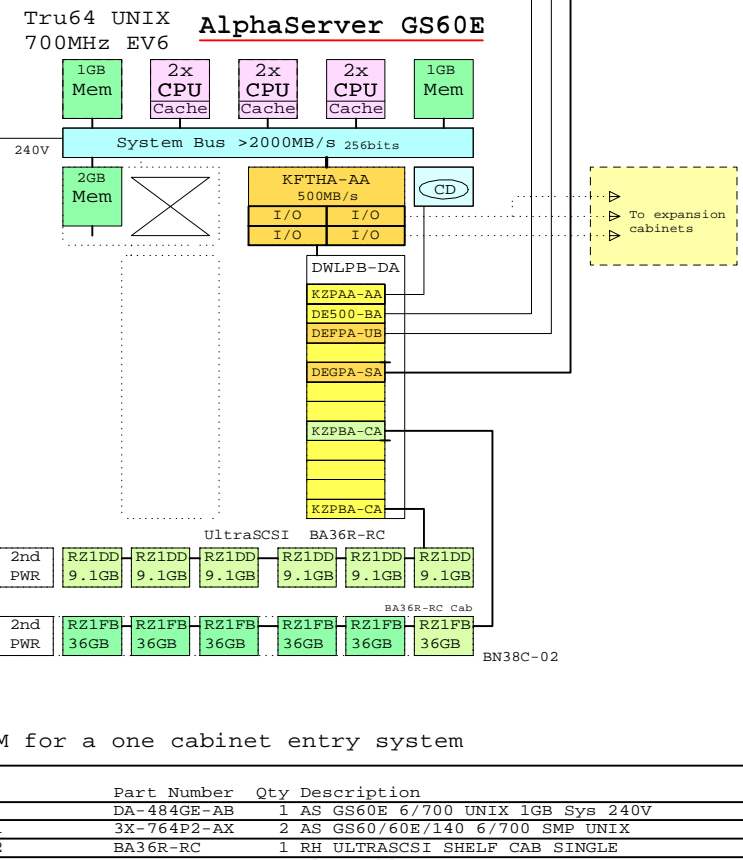
FDDI

GigaBitEthernet



BOM for a one cabinet max system

Part Number	Qty	Description
1	1	DA-484GG-AB 1 AS GS60E 6/700 UNIX 4GB Sys 240V
1.1	2	3X-764P2-AX 2 AS GS60/60E/140 6/700 SMP UNIX
1.2	1	BA36R-RC 1 RH ULTRASCSCI SHELF CAB SINGLE
1.2.1	1	CK-BA35X-HH 1 180W Stor.Shelf PWR for AS4x00
1.2.2	6	DS-RZ1FB-VW 6 36GB 7200 UltraSCSCI Disk
1.3	1	CK-BA35X-HH 1 180W Stor.Shelf PWR for AS4x00
1.4	1	DEFPA-UB 1 PCI to FDDI SAS,TP-PMD
1.5	1	DEGPA-SA 1 PCI to GigaBitEthernet SX Adap
1.6	5	DS-RZ1DD-VW 5 9.1GB 10000r UltraSCSCI disk
1.7	3	KZPBA-CA 3 PCI to UltraSCSCI Adapter UWSE
1.8	2	MS7CC-GA 2 4GB AlphaServer 8xxx Memory
2	1	BA36R-RC 1 RH ULTRASCSCI SHELF CAB SINGLE
2.1	1	CK-BA35X-HH 1 180W Stor.Shelf PWR for AS4x00
2.2	6	DS-RZ1FB-VW 6 36GB 7200 UltraSCSCI Disk
3	1	BA36R-RC 1 RH ULTRASCSCI SHELF CAB SINGLE
3.1	1	CK-BA35X-HH 1 180W Stor.Shelf PWR for AS4x00
3.2	6	DS-RZ1FB-VW 6 36GB 7200 UltraSCSCI Disk
4	1	VT520-A4 1 Text Terminal WH Intl No-hemi
5	1	SN-LKQ47-AF 1 102 KEY KYBD, NON-WIN, Finnish
6	3	BN38C-02 3 Ultra Cbl VHDCI - 68HD
7	1	BN19C-2E 1 PowerCable 240V, C-Europe



BOM for a one cabinet entry system

Part Number	Qty	Description
1	1	DA-484GE-AB 1 AS GS60E 6/700 UNIX 1GB Sys 240V
1.1	2	3X-764P2-AX 2 AS GS60/60E/140 6/700 SMP UNIX
1.2	1	BA36R-RC 1 RH ULTRASCSCI SHELF CAB SINGLE
1.2.1	1	BN38C-02 1 Ultra Cbl VHDCI - 68HD
1.2.2	1	CK-BA35X-HH 1 180W Stor.Shelf PWR for AS4x00
1.2.3	6	DS-RZ1FB-VW 6 36GB 7200 UltraSCSCI Disk
1.3	1	CK-BA35X-HH 1 180W Stor.Shelf PWR for AS4x00
1.4	1	DEFPA-UB 1 PCI to FDDI SAS,TP-PMD
1.5	1	DEGPA-SA 1 PCI to GigaBitEthernet SX Adap
1.6	5	DS-RZ1DD-VW 5 9.1GB 10000r UltraSCSCI disk
1.7	1	KZPBA-CA 1 PCI to UltraSCSCI Adapter UWSE
1.8	1	MS7CC-EA 1 1GB AlphaServer 8xxx Memory
1.9	1	MS7CC-FA 1 2GB AlphaServer 8xxx Memory
2	1	VT520-A4 1 Text Terminal WH Intl No-hemi
3	1	SN-LKQ47-AF 1 102 KEY KYBD, NON-WIN, Finnish
4	1	BN19C-2E 1 PowerCable 240V, C-Europe

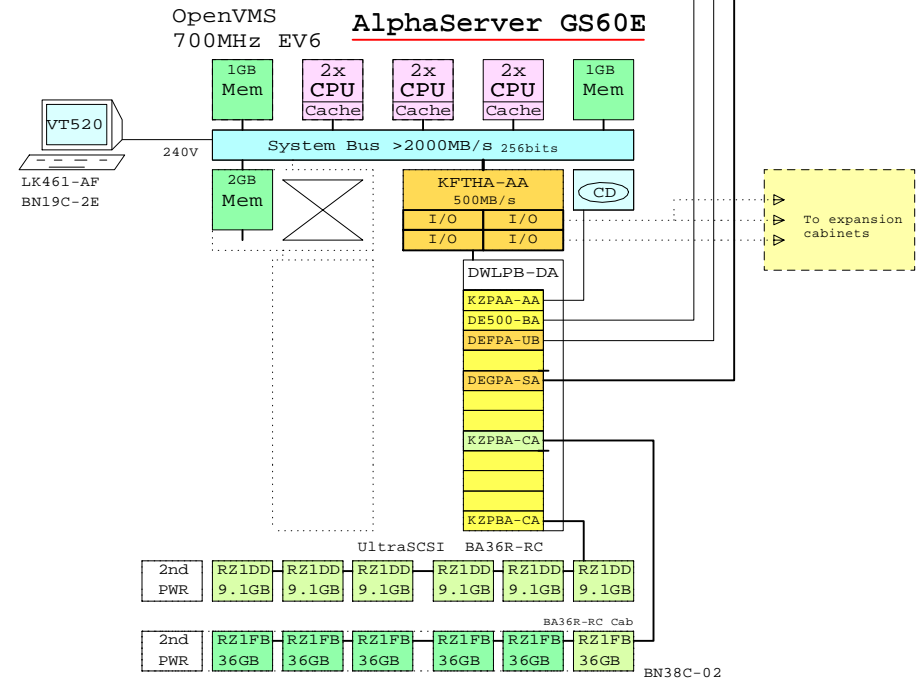
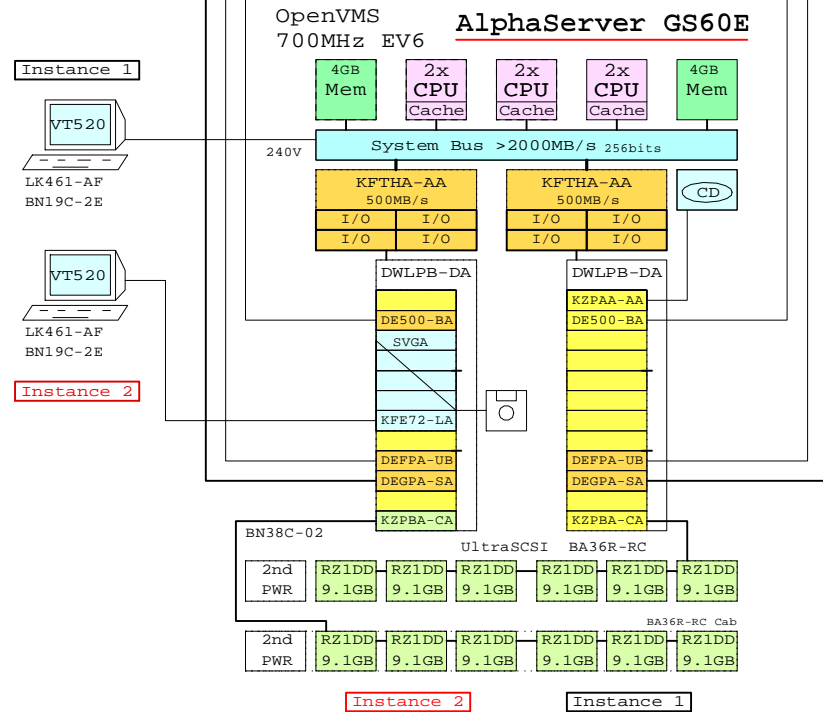
**COMPAQ** 01-Nov-1999 GTAUGS60E2  
Matti.Patari@compaq.com

AlphaServer GS60E UNIX system  
GOLDEN EGGS Visuals, Helsinki

AlphaServer GS60E OpenVMS Galaxy

AlphaServer GS60E OpenVMS system

Ethernet  
FDDI  
GigaBitEthernet



BOM for a one cabinet entry Galaxy

Part Number	Qty	Description
1	1	DY-484GG-AB 1 AS GS60E 6/700 OVMS 4GB Sys 240V
1.1	2	3X-764P1-AX 2 AS GS60/60E/140 6/700 SMP OVMS
1.2	1	BA36R-RC 1 RH ULTRASCSCI SHELF CAB SINGLE
1.2.1	1	CK-BA35X-HH 1 180W Stor.Shelf PWR for AS4x00
1.2.2	6	DS-RZ1DD-VW 6 9.1GB 10000r UltraSCSCI disk
1.3	1	BN38C-02 1 Ultra Cbl VHDCI - 68HD
1.4	1	CK-BA35X-HH 1 180W Stor.Shelf PWR for AS4x00
1.5	1	DEFPA-UB 1 PCI to FDDI SAS,TP-PMD
1.6	1	DEGPA-SA 1 PCI to GigaBitEthernet SX Adap
1.7	5	DS-RZ1DD-VW 5 9.1GB 10000r UltraSCSCI disk
1.8	1	DWLPB-DA 1 PCI PIU for GS60E Sys and Exp.Cab
1.8.1	1	3X-KFE72-LA 1 GS60E Graphic Console Subsystem
1.8.2	1	DE500-BA 1 PCI/FAST Ethernet, CAT 5 UTP
1.8.3	1	DEFPA-UB 1 PCI to FDDI SAS,TP-PMD
1.8.4	1	DEGPA-SA 1 PCI to GigaBitEthernet SX Adap
1.8.5	1	KZPBA-CA 1 PCI to UltraSCSCI Adapter UWSE
1.9	1	KFTHA-AA 1 Sys I/O Module w/4 I/O Chanls
1.10	1	MS7CC-GA 1 4GB AlphaServer 8xxx Memory
2	2	VT520-A4 2 Text Terminal WH Intl No-hemi
3	2	BN19C-2E 2 PowerCable 240V, C-Europe
4	2	LK461-AF 2 VMS STYLE KEYBOARD, Fin/Swed

BOM for a one cabinet entry system

Part Number	Qty	Description
1	1	DY-484GE-AB 1 AS GS60E 6/700 OVMS 1GB Sys 240V
1.1	2	3X-764P1-AX 2 AS GS60/60E/140 6/700 SMP OVMS
1.2	1	BA36R-RC 1 RH ULTRASCSCI SHELF CAB SINGLE
1.2.1	1	BN38C-02 1 Ultra Cbl VHDCI - 68HD
1.2.2	1	CK-BA35X-HH 1 180W Stor.Shelf PWR for AS4x00
1.2.3	6	DS-RZ1FB-VW 6 36GB 7200 UltraSCSCI Disk
1.3	1	CK-BA35X-HH 1 180W Stor.Shelf PWR for AS4x00
1.4	1	DEFPA-UB 1 PCI to FDDI SAS,TP-PMD
1.5	1	DEGPA-SA 1 PCI to GigaBitEthernet SX Adap
1.6	5	DS-RZ1DD-VW 5 9.1GB 10000r UltraSCSCI disk
1.7	1	KZPBA-CA 1 PCI to UltraSCSCI Adapter UWSE
1.8	1	MS7CC-EA 1 1GB AlphaServer 8xxx Memory
1.9	1	MS7CC-FA 1 2GB AlphaServer 8xxx Memory
2	1	VT520-A4 1 Text Terminal WH Intl No-hemi
3	1	BN19C-2E 1 PowerCable 240V, C-Europe
4	1	LK461-AF 1 VMS STYLE KEYBOARD, Fin/Swed



02-Nov-1999 GTAVGS60E2  
Matti.Patari@compaq.com

GS60E OVMS

AlphaServer GS60E OpenVMS syst  
GOLDEN EGGS Visuals, Helsinki

# AlphaServer GS140 6/700 Systems

## Expanded Base Server Systems

DA-394GG-AA/AB Tru64 UNIX 4GB

DY-394GG-AA/AB OpenVMS 4GB  
208/416V

### Memory modules Additional CPU modules

MS7CC-EA	1GB	3X-764P2-AX UNIX 2-cpu
MS7CC-FA	2GB	3X-764P1-AX OVMS 2-cpu
MS7CC-GA	4GB	

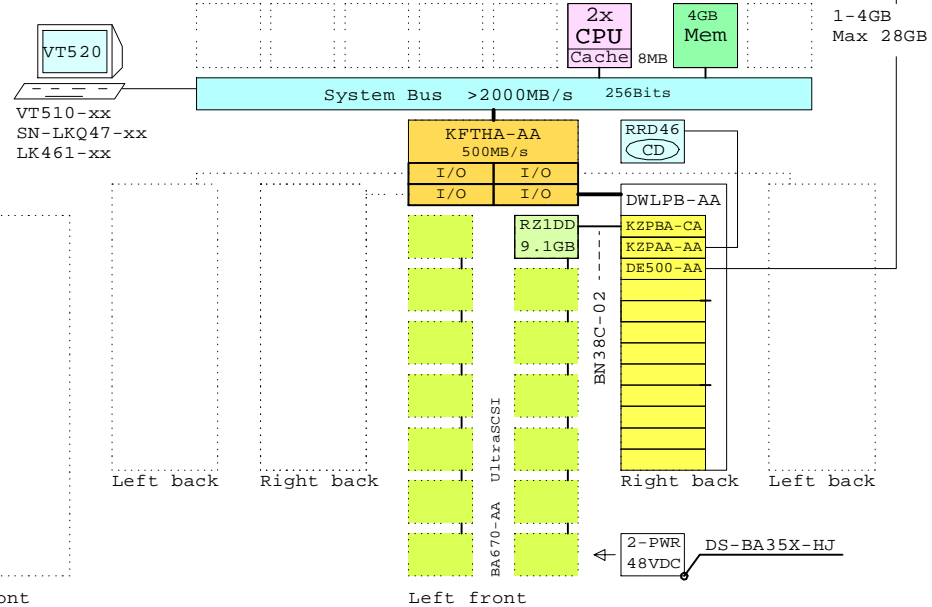
### More options

DS-RZ1DD-VW	9.1GB UltraSCSI disk 10k
DS-RZ1ED-VW	18 GB UltraSCSI disk 10K
DS-RZ1FB-VW	36 GB UltraSCSI disk 10k

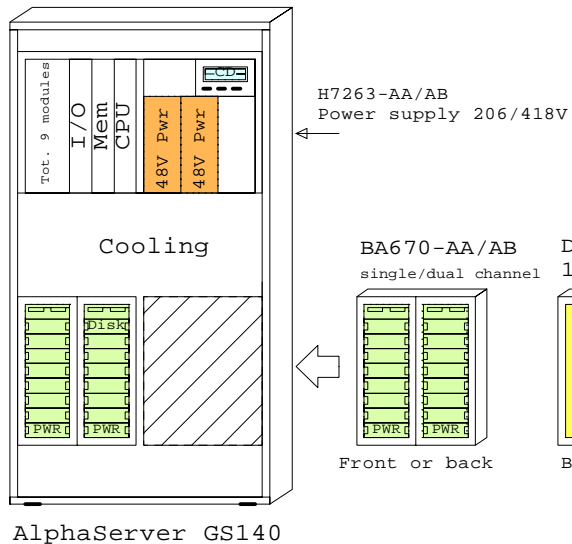
DE500-AA	Fast Ethernet 10/100
DE450-CA	Ethernet, thin/thic/twis
DEFPA-AB	FDDI adapter, SAS MMF
DEFPA-DB	FDDI adapter, DAS MMF
DEFPA-UB	FDDI adapter, SAS TP-PMD
CIPCA-BA	CI controller
KZPSA-BB	SCSI FWD controller
KZPBA-CA	UltraSCSI SE controller
KZPBA-CB	UltraSCSI Dif controller

## Expanded Base Server

Tru64 UNIX or  
OpenVMS  
700MHz EV6 **AlphaServer GS140**



BN25G-07



### Licenses included:

- DIGITAL UNIX V4.0e, Base license, Unlimited User license, Server Extension license, and Internet Access Software license and Netscape's Enterprise Server 3.0.
- OpenVMS V7.1-2, Base license and DIGITAL Enterprise Integration Package.

@700MHz  
SPECint95 39  
SPECfp95 68  
SPECweb96  
TPC 42437@\$55

Software Processor Code: Q

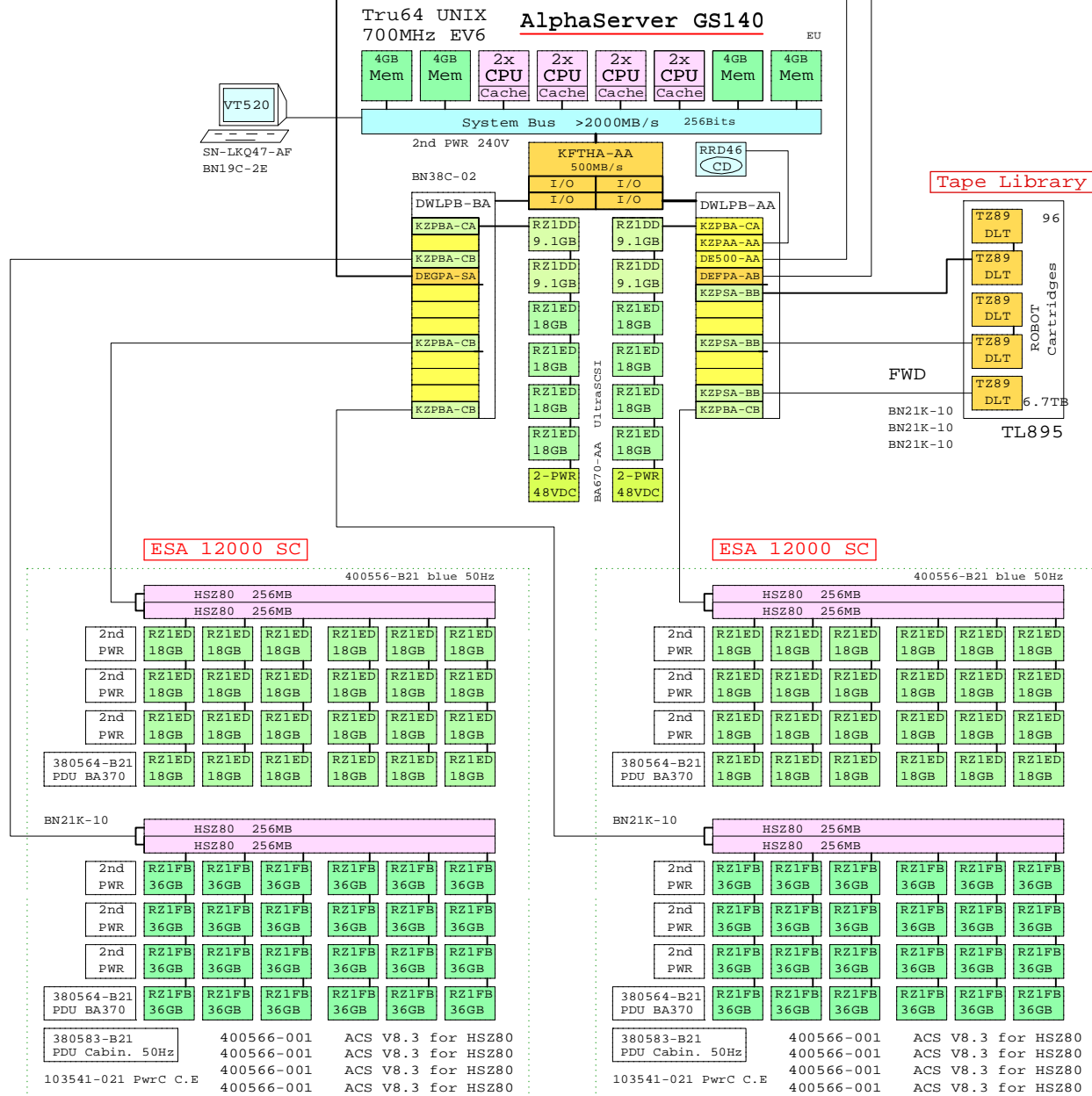
<b>COMPAQ</b>	27-Dec-1999	GEAGS1405
	Matti.Patari@compaq.com	

AlphaServer GS140 6/700 System  
GOLDEN EGGS Visuals, Helsinki

# GS140

AlphaServer GS140 Tru64 UNIX systems

Ethernet  
FDDI  
GigaBitEthernet



BOM for AlphaServer GS140

	Part Number	Qty	Description
	DA-394GG-AB	1	AS GS140 6/700 UNIX 4GB EU
1.1	3X-764P2-AX	3	AS GS60/60E/140 6/700 SMP UNIX
1.2	BN38C-02	1	Ultra Cbl VHDCI - 68HD
1.3	DEFPA-AB	1	PCI to FDDI SAS
1.4	DS-BA35X-HJ	2	48VDC 180W Power Supply Blue
1.5	DS-RZ1DD-VW	3	9.1GB 10000r UltraSCSI disk
1.6	DS-RZ1ED-VW	8	18.2GB 10000r UltraSCSI disk
1.7	DWLPB-BA	1	2nd 12 Slot PCI for DWLPB-AA
1.7.1	DEGPA-SA	1	PCI to GigaBitEthernet SX Adap
1.7.2	KZPBA-CA	1	PCI to UltraSCSI Adapter UWSE
1.8	H7263-AB	1	48Volt Power Regulator Option
1.9	MS7CC-GA	3	4GB AlphaServer 8xxx Memory
2	VT520-A4	1	Text Terminal WH Intl No-hemi
3	SN-LKQ47-AF	1	102 KEY KYBD, NON-WIN, Finnish
4	BN19C-2E	1	PowerCable 240V, C-Europe

BOM for Tape Library

	Part Number	Qty	Description
1	DS-TL895-BA	1	96 Slot Tape Lib W/5 TZ89 DR
2	KZPSA-BB	3	PCI-HOST FWD Bus Adapter
3	BN21K-10	3	68HD SCSI cable 10m

BOM for StorageWorks

	Part Number	Qty	Description
1	400556-B21	1	ESAL200 SC 50HZ 2x24 4xCnt blue
1.1	103541-021	1	Power Cord 13-20A C.Europe
1.2	380564-B21	2	Power Distribution Unit RA8k/7k
1.3	380565-B21	6	Power Suply 180W Hot Plug SBB
1.4	380583-B21	1	ESAL2000 Cabinet PDU 50Hz
1.5	400566-001	4	HSZ80 Controller Software ACS V8.3
1.6	BN21K-10	1	68HD SCSI cable 10m
1.7	DS-RZ1ED-VW	24	18.2GB 10000r UltraSCSI disk
1.8	DS-RZ1FB-VW	24	36GB 7200 UltraSCSI Disk
2	400556-B21	1	ESAL200 SC 50HZ 2x24 4xCnt blue
2.1	103541-021	1	Power Cord 13-20A C.Europe
2.2	380564-B21	2	Power Distribution Unit RA8k/7k
2.3	380565-B21	6	Power Suply 180W Hot Plug SBB
2.4	380583-B21	1	ESAL2000 Cabinet PDU 50Hz
2.5	400566-001	4	HSZ80 Controller Software ACS V8.3
2.6	BN21K-10	1	68HD SCSI cable 10m
2.7	DS-RZ1ED-VW	24	18.2GB 10000r UltraSCSI disk
2.8	DS-RZ1FB-VW	24	36GB 7200 UltraSCSI Disk
3	400569-001	4	Ultra opt OS Software Tru64 UNIX
4	KZPBA-CB	4	PCI to UltraSCSI Adapter UWdif

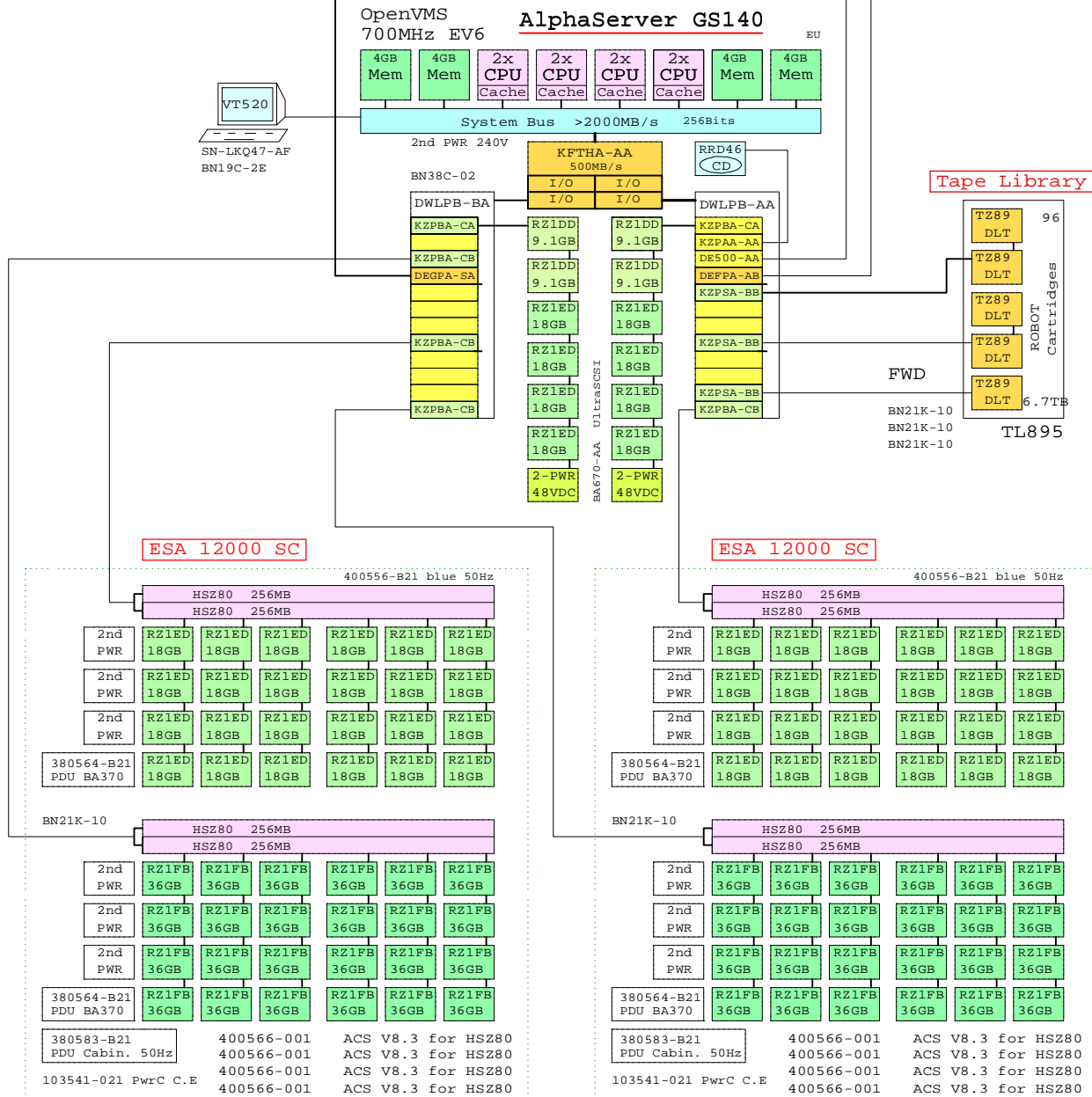
400569-001 Tru64 UN  
400569-001 Tru64 UN  
400569-001 Tru64 UN  
400569-001 Tru64 UN

**COMPAQ** 02-Nov-1999 GTAUGS1405  
Matti.Patari@compaq.com

AlphaServer GS140 UNIX system  
GOLDEN EGGS Visuals, Helsinki

# AlphaServer GS140 OpenVMS systems

Ethernet  
FDDI  
GigaBitEthernet



## BOM for AlphaServer GS140

Part Number	Qty	Description
1	1	AS GS140 6/700 OVMS 4GB EU
1.1	3	AS GS60/60E/140 6/700 SMP OVMS
1.2	1	Ultra Cbl VHDCI - 68HD
1.3	1	PCI to FDDI SAS
1.4	2	48VDC 180W Power Supply Blue
1.5	3	9.1GB 10000r UltraSCSI disk
1.6	8	18.2GB 10000r UltraSCSI disk
1.7	1	2nd 12 Slot PCI for DWLPB-AA
1.7.1	1	PCI to GigaBitEthernet SX Adap
1.7.2	1	PCI to UltraSCSI Adapter UWSE
1.8	1	48Volt Power Regulator Option
1.9	3	4GB AlphaServer 8xxx Memory
2	1	Text Terminal WH Intl No-hemi
3	1	102 KEY KYBD, NON-WIN, Finnish
4	1	PowerCable 240V, C-Europe

## BOM for Tape Library

Part Number	Qty	Description
1	1	96 Slot Tape Lib W/5 TZ89 DR
2	3	PCI-HOST FWD Bus Adapter
3	3	68HD SCSI cable 10m

## BOM for StorageWorks

Part Number	Qty	Description
1	1	ESAL200 SC 50HZ 2x24 4xCnt blue
1.1	1	Power Cord 13-20A C.Europe
1.2	2	Power Distribution Unit RA8k/7k
1.3	6	Power Suply 180W Hot Plug SBB
1.4	1	ESAL2000 Cabinet PDU 50Hz
1.5	4	HSZ80 Controller Software ACS V8.3
1.6	1	68HD SCSI cable 10m
1.7	24	18.2GB 10000r UltraSCSI disk
1.8	24	36GB 7200 UltraSCSI Disk
2	1	ESAL200 SC 50HZ 2x24 4xCnt blue
2.1	1	Power Cord 13-20A C.Europe
2.2	2	Power Distribution Unit RA8k/7k
2.3	6	Power Suply 180W Hot Plug SBB
2.4	1	ESAL2000 Cabinet PDU 50Hz
2.5	4	HSZ80 Controller Software ACS V8.3
2.6	1	68HD SCSI cable 10m
2.7	24	18.2GB 10000r UltraSCSI disk
2.8	24	36GB 7200 UltraSCSI Disk
3	4	Ultra opt OS Software OpenVMS
4	4	PCI to UltraSCSI Adapter UWdif

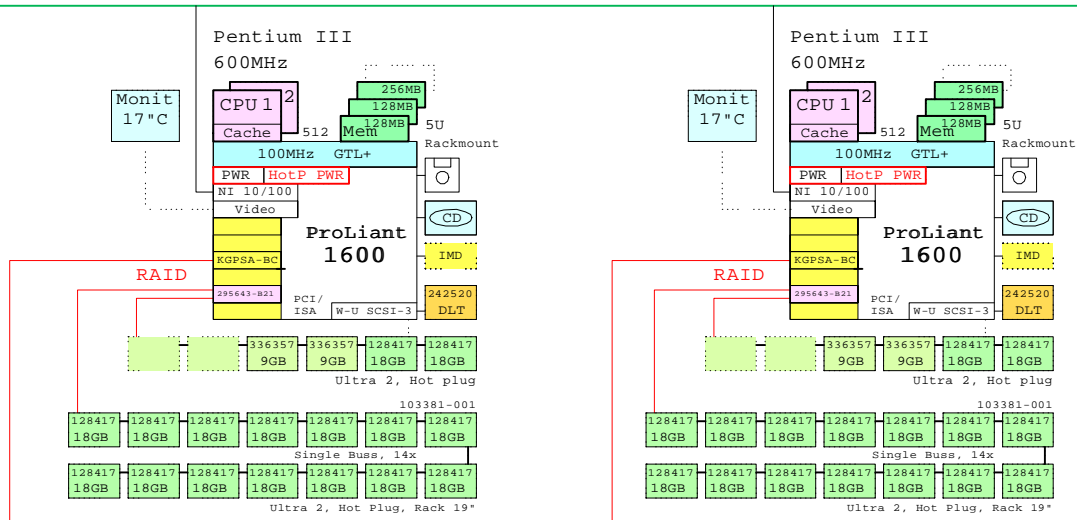
400571-001 OpenVMS  
400571-001 OpenVMS  
400571-001 OpenVMS  
400571-001 OpenVMS

**COMPAQ** 02-Nov-1999 GTA VGS1405  
Matti.Patari@compaq.com

AlphaServer GS140 OpenVMS sys  
GOLDEN EGGS Visuals, Helsinki



Ethernet



BOM for one PL1600 system

Part Number	Qty	Description
1	1	153551-021 1 ProLiant 1600R 600MHz 512 128MB rack
1.1	1	124779-B21 1 6/600 Pentium III 512K Processor Option
1.2	2	128417-B21 2 18.2GB W-Ultra SCSI-3 10k 1" Drive
1.3	1	242520-B21 1 DLT drive, internal 35/70GB
1.4	1	264377-B23 1 Integrated Mgt. Display Option
1.5	1	283697-B21 1 Hot Plug Redundant Power Supply
1.6	1	295643-B21 1 Smart Array 3200 RAID two channels
1.7	1	313615-B21 1 256MB SDRAM Memory Kit
1.8	1	313616-B21 1 128MB SDRAM Memory Kit
1.9	1	325800-021 1 V700 Color Monitor (Carbon)
1.10	2	336357-B21 2 9.1GB W-Ultra SCSI-3 10k 1" Drive
1.11	1	380574-001 1 Compaq Host Buss Cntr KGPSA-BC
2	1	103381-001 1 Compaq StorageWorks Encl. Mod4214R
2.1	14	128417-B21 14 18.2GB W-Ultra SCSI-3 10k 1" Drive

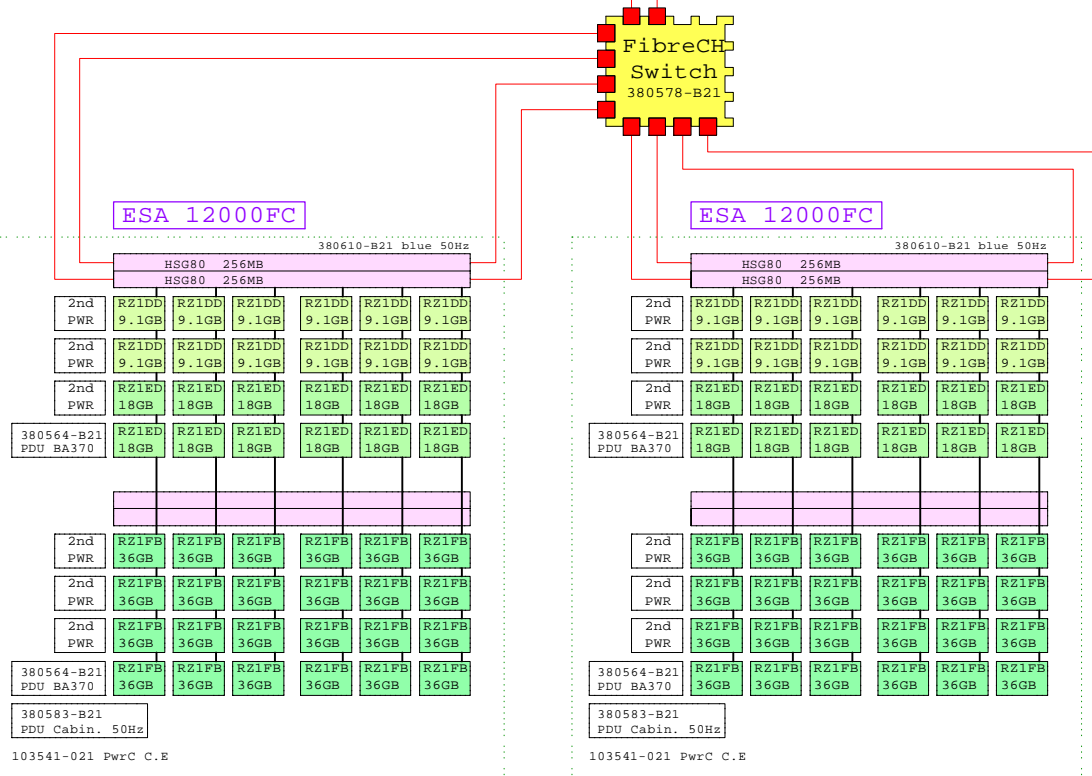
BOM for Fibre Channel

Part Number	Qty	Description
1	1	380578-B21 1 FC Switch 16 Ports
1.1	10	380561-B21 10 FC Optical Short Wave GBIC

BOM for one ESA 1200 FC

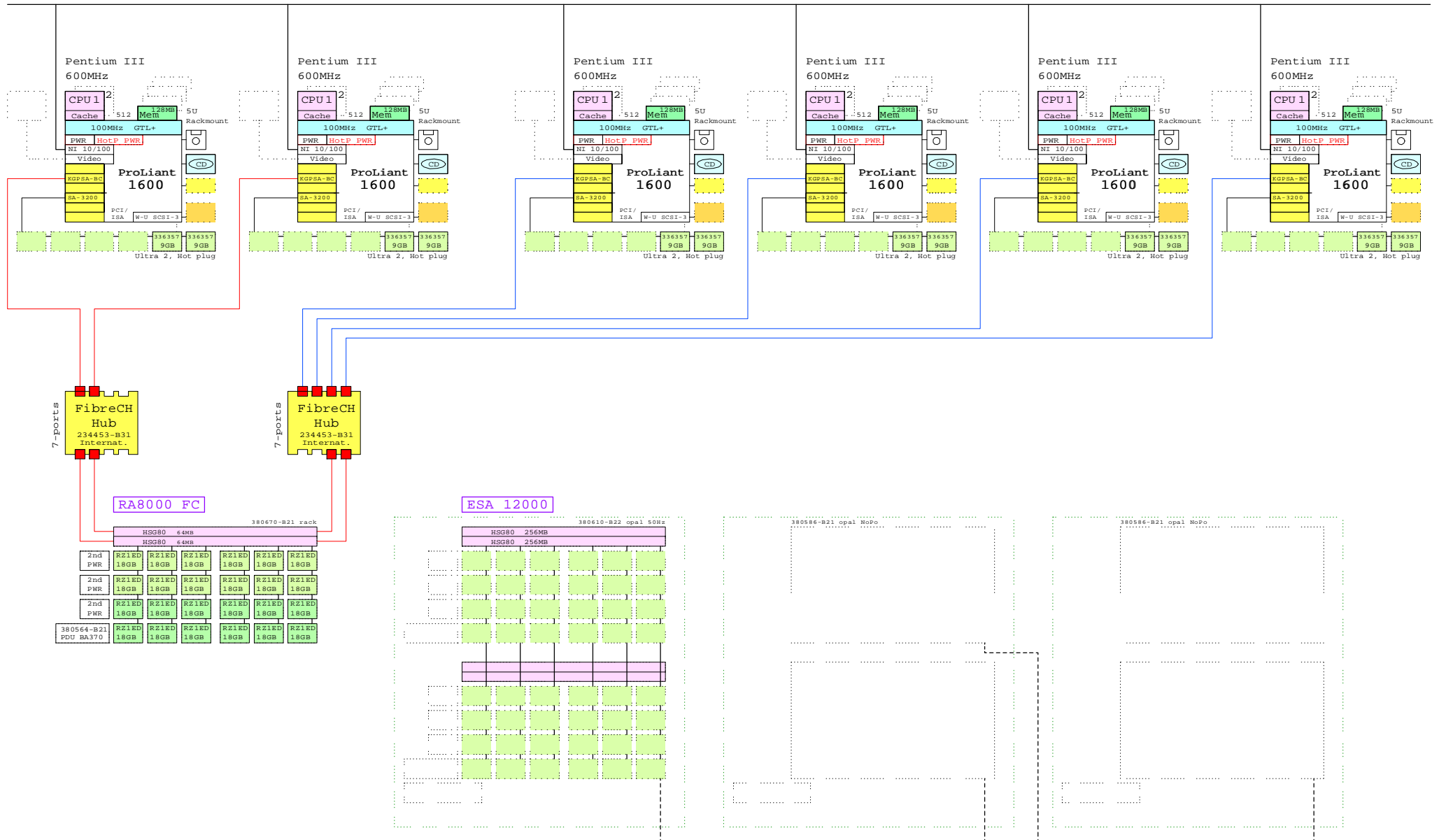
Part Number	Qty	Description
1	1	380610-B21 1 ESA1200 FC 50HZ 2x24 2xCnt blue
1.1	1	103541-021 1 Power Cord 13-20A C.Europe
1.2	2	380564-B21 2 Power Distribution Unit RA8k/7k
1.3	6	380565-B21 6 Power Suply 180W Hot Plug SBB
1.4	1	380583-B21 1 ESA1200 Cabinet PDU 50Hz
1.5	12	DS-RZ1DD-VW 12 9.1GB 10000r UltraSCSI disk
1.6	12	DS-RZ1ED-VW 12 18.2GB 10000r UltraSCSI disk
1.7	24	DS-RZ1FB-VW 24 36GB 7200 UltraSCSI Disk

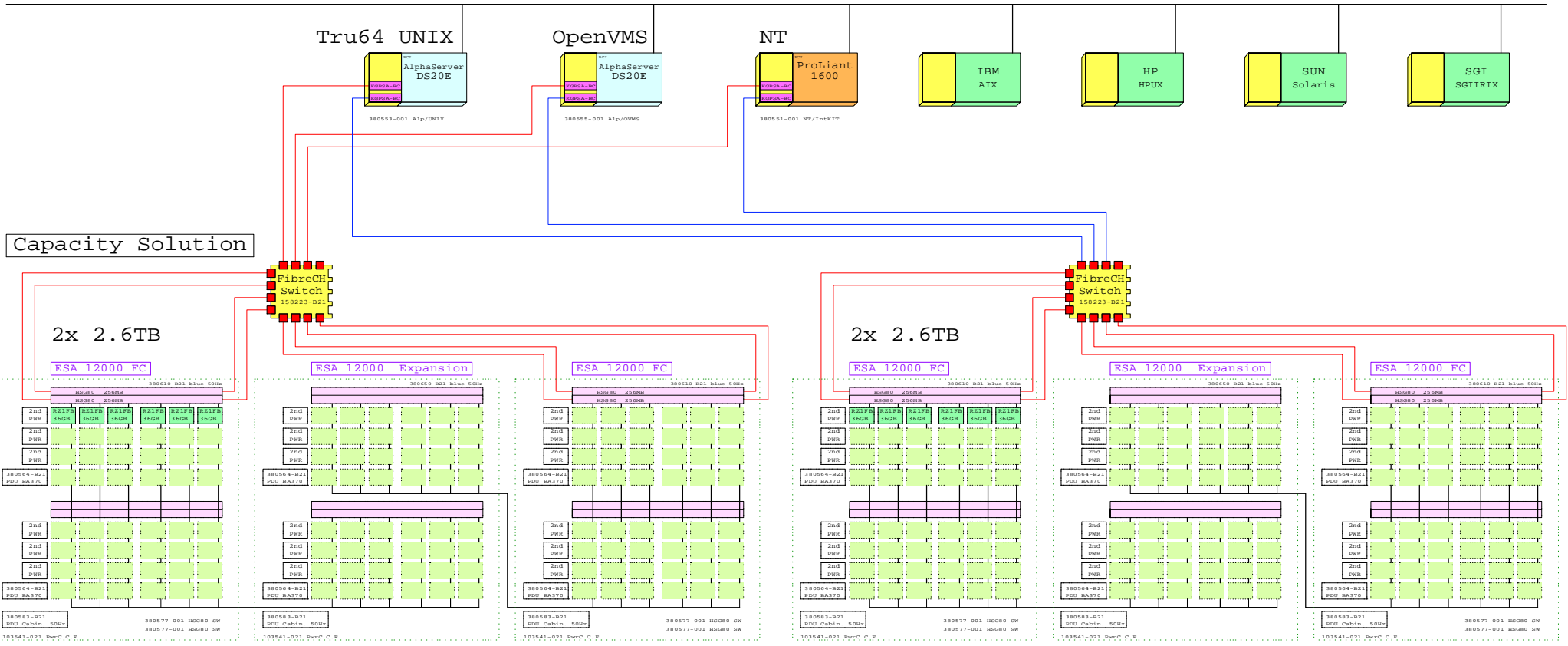
All BOMs have been pulled from the picture. No manual sorting is needed.



Windows NT, Cluster

Novell, standalone servers





Capacity Solution

2x 2.6TB

2x 2.6TB

Tru64 UNIX

OpenVMS

NT

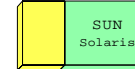
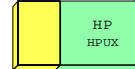
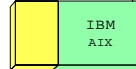
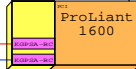
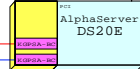
ProLiant 1600

IBM AIX

HP HPUX

SUN Solaris

SGI SGI IRIX



380553-001 Alp/UNIX

380555-001 Alp/OMMS

380551-001 NT/ntkrnl

Performance

3x 1.7TB

ESA 12000 FC

ESA 12000 FC

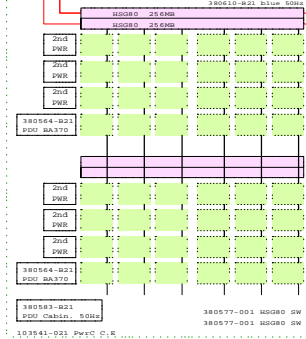
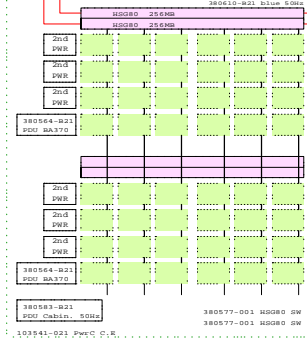
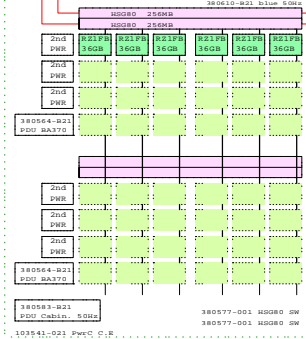
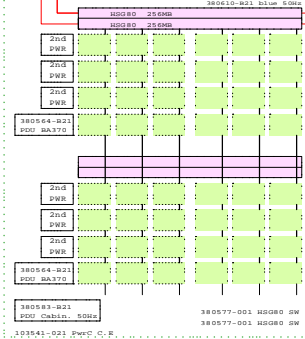
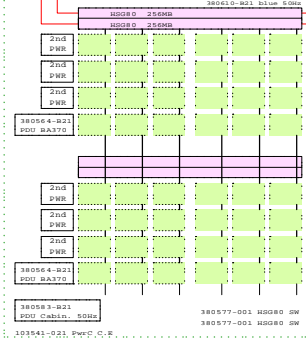
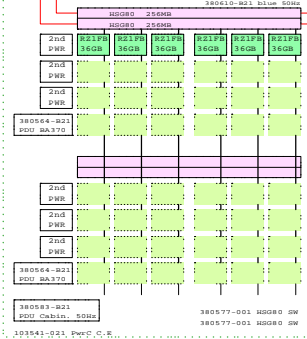
ESA 12000 FC

3x 1.7TB

ESA 12000 FC

ESA 12000 FC

ESA 12000 FC



# Highest Performance with Capacity expansion

Tru64 UNIX

OpenVMS

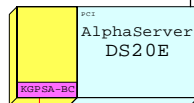
NT

IBM  
AIX

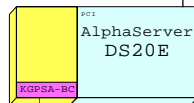
HP  
HPUX

SUN  
Solaris

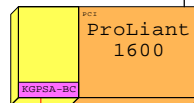
SGI  
SGIIRIX



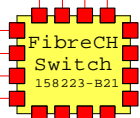
380553-001 Alp/UNIX



380555-001 Alp/OVMS



380551-001 NT/IntKIT

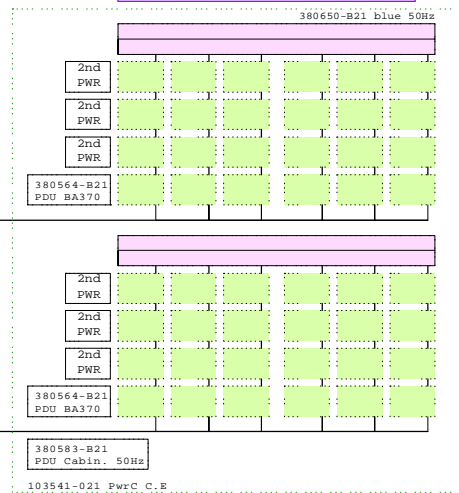
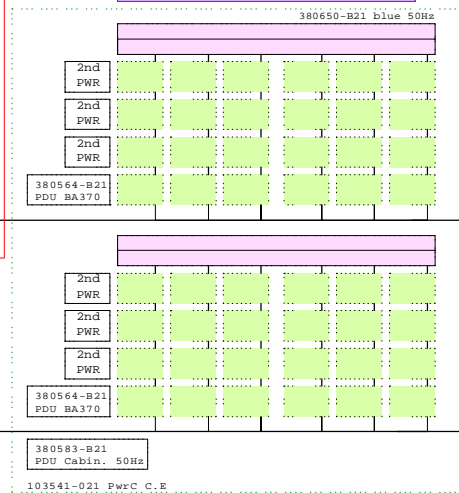
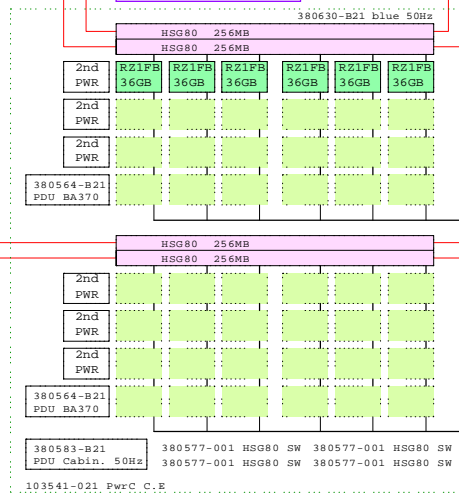


2x2.6TB

ESA 12000 FC

ESA 12000 Expansion

ESA 12000 Expansion



Ethernet

---

Dear GOLDEN EGGS Printer,

This is the last page for Electric GOLDEN EGGS of 20-Apr-2000.

The last "real page" was StorFCall1 Highest Perfor & Capacity.

Please, stay tuned on this Electric GOLDEN EGGS Channel.  
More fresh pages are to come in my next E-mails.....

I wish you good Alpha Spring 2000

Please send your GOLDEN EGGS Software requests to:

Matti.Patari@Compaq.com , Helsinki Finland

Tel: 358-20412-3040

<b>COMPAQ</b>	20-Apr-2000	GEG00end
	Matti.Patari@Compaq.com	
Last page GOLDEN EGGS Visuals, Helsinki		

GOLDEN EGGS in eBusiness since 1988 12 years.

Electric