

Print Colour and
staple here.

Electric

GOLDEN EGGS Colour

Visual Configurations
Rev: 26-Oct-2000

Main index for the next 80 pages:

- GE-KEY, GE-Software, AlphaServer family
- New --> - AlphaServer DS10 Unix, OpenVMS and Linux
- AlphaServer DS20E Unix, OpenVMS, and Linux
- AlphaServer ES40 Unix, OpenVMS, and Linux
- AlphaServer GS80 Unix, OpenVMS
- AlphaServer GS160 Unix, OpenVMS
- AlphaServer GS320 Unix, OpenVMS
- ProLiant 1600 Examples
- StorageWorks EMA12000

New since
20-Apr-2000

More GE-pages at:
www.compaq.com/golden-eggs

For details, call:
Matti.Patari@compaq.com

Painted with GOLDEN EGGS Software,
Rev: 17-Oct-2000

COMPAQ	26-Oct-2000	GEG00D
	Matti.Patari@Compaq.com	

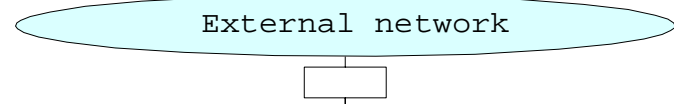
GOLDEN EGGS in eBusiness since 1988 12 years.

Electric

Electric GOLDEN EGGS, Colour
GOLDEN EGGS Visuals, Helsinki

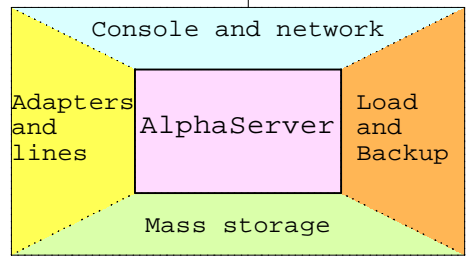
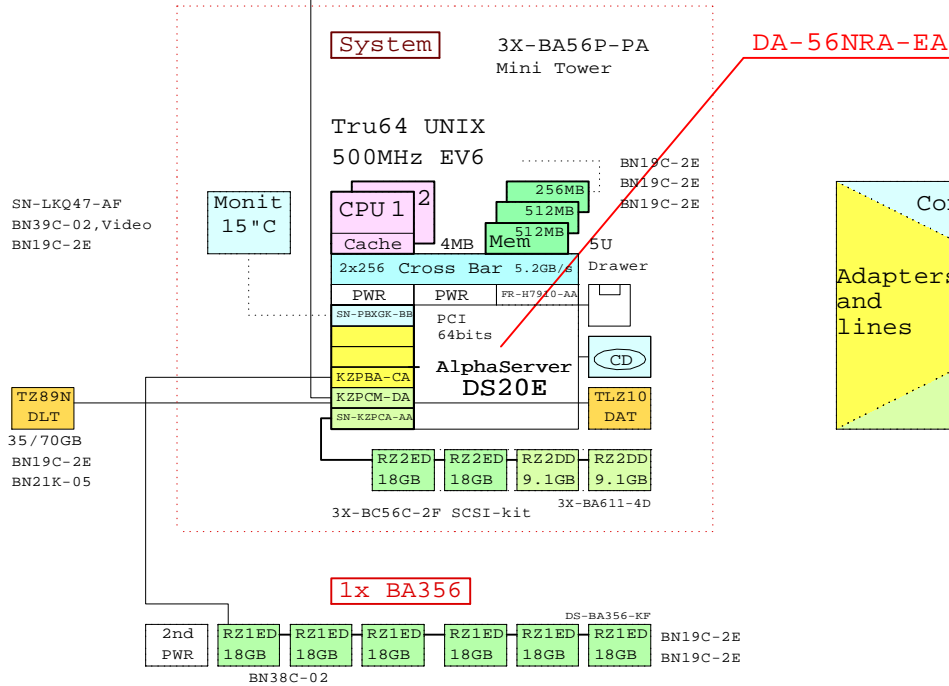
Key to GOLDEN EGGS

Ethernet



External site

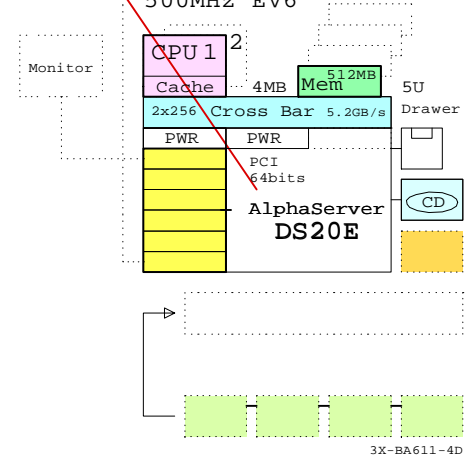
Internal site



GOLDEN EGGS Segments

DA-56NRA-EA
Part number from Visual database

Tru64 UNIX 500MHz EV6

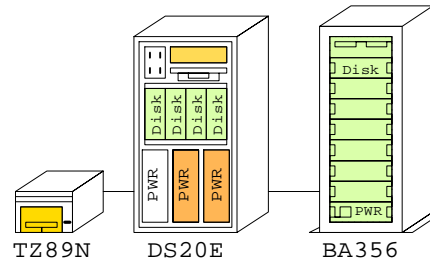


GOLDEN EGGS Presentation

Bill of material, BOM to drawing or Excel

Part Number	Qty	Description
1	1	3X-BA56P-PA 1 DS20E Mini tower pedestal kit
1.1	1	3X-BC56C-2F 1 DS20E SCSI Cable Kit
1.2	3	BN19C-2E 3 PowerCable 240V, C-Europe
1.3	1	DA-56NRA-EA 1 AS DS20E 6/500 512MB,Rack,UNIX
1.3.1	1	3R-VRQV5-24 1 COMPAQ V55 CLR MON,NH,TC095
1.3.2	1	3X-BA611-4D 1 Disk Cage for DS20E, 4x disk
1.3.2.1	2	DS-RZ2DD-16 2 ES40 Disk 9.1GB 10k Ultra2 SCSI
1.3.2.2	2	DS-RZ2ED-16 2 ES40 Disk 18GB 10k Ultra2 SCSI
1.3.3	1	FR-H7910-AA 1 Third power supply for DS20E
1.3.4	1	KN310-BB 1 AS DS20E 6/500 SMP UPG UNIX
1.3.5	1	KZPBA-CA 1 PCI to UltraSCSI Adapter UWSE
1.3.6	1	KZPCM-DA 1 Dual Uscsi with FastEther PCI
1.3.7	1	MS340-CA 1 DS20 256MB SDIMM MEM 4x64MB
1.3.8	1	MS340-DA 1 DS20 512MB SDIMM MEM 4x128MB
1.3.9	1	SN-KZPCA-AA 1 Single channel LVD adapter
1.3.10	1	SN-PBXGK-BB 1 Elsa Gloria Synergy 8M Video Graphics
1.3.11	1	TLZ10-LB 1 12/24GB 4mm DAT 5.25" HH
2	1	DS-BA356-KF 1 Pedestal Storage, UltraW, Single-Bus
2.1	2	BN19C-2E 2 PowerCable 240V, C-Europe
2.2	1	BN38C-02 1 Ultra Cbl VHDCI - 68HD
2.3	1	CK-BA35X-HH 1 180W Stor.Shelf PWR for AS4x00
2.4	6	DS-RZ1ED-VW 6 18.2GB 10000r UltraSCSI disk
3	1	DS-TZ89N-TA 1 35/70GB SE DLT-tape TT FWSE
4	1	BN39C-02 1 1.8 Video Extension Cable ****
5	1	SN-LKQ47-AF 1 102 KEY KYBD, NON-WIN, Finnish
6	2	BN19C-2E 2 PowerCable 240V, C-Europe
7	1	BN21K-05 1 68HD SCSI cable 5m

System kernel



Internet pointer to GE-library

Name of the page

- GExxxxx = GOLDEN EGGS page
 - GTxxxxx = GOLDEN Template
- Templates are included in GOLDEN EGGS Software kit.

Date of update

www.Compaq.com/golden-eggs

Since: Sep-1988

COMPAQ	26-Oct-2000	GEG00B
	Matti.Patari@compaq.com	

KEY

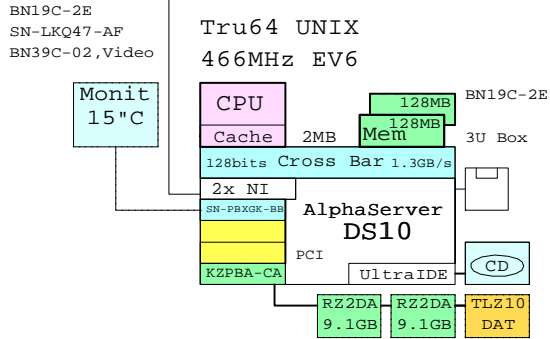
To GOLDEN EGGS
GOLDEN EGGS Visual Configurations, Helsinki

GOLDEN EGGS Software

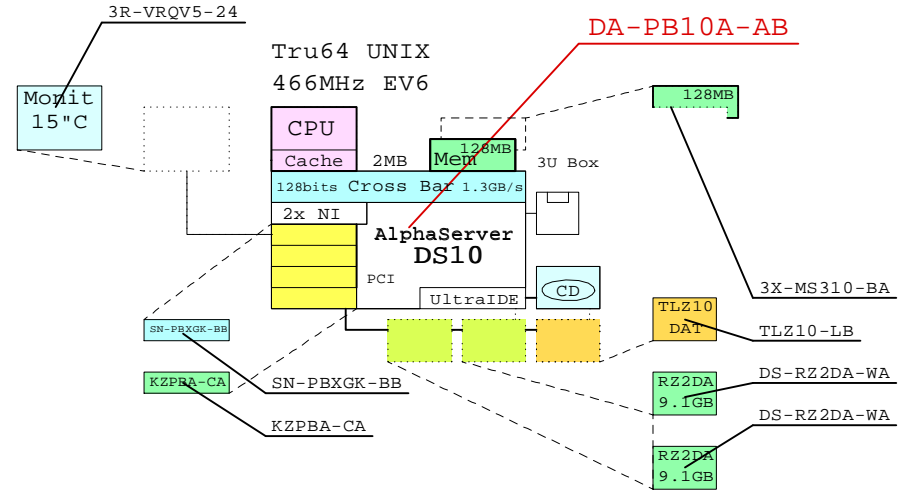
DS10 UNIX System

Shapes for a DS10 UNIX System

Ethernet



These visuals make this system.



Bill of Material, no price

Part Number	Qty	Description
1	1	DA-PB10A-AB 1 AS DS10 6/466 128MB UNIX
1.1	1	3R-VRQV5-24 1 COMPAQ V55 CLR MON,NH,TCO95
1.2	1	3X-MS310-BA 1 DS10 128MB DIMM MEM
1.3	1	BN19C-2E 1 PowerCable 240V, C-Europe
1.4	1	BN39C-02 1 1.8 Video Extension Cable ****
1.5	2	DS-RZ2DA-WA 2 9.1GB 7200RPM UltraSCSI Disk
1.6	1	KZPBA-CA 1 PCI to UltraSCSI Adapter UWSE
1.7	1	SN-PBXGK-BB 1 Elsa Gloria Synergy 8M Video Graphics
1.8	1	TLZ10-LB 1 12/24GB 4mm DAT 5.25" HH
2	1	SN-LKQ47-AF 1 102 KEY KYBD, NON-WIN, Finnish
3	1	BN19C-2E 1 PowerCable 240V, C-Europe

Bill of Material with local currency, Fimk

GOLDEN EGGS
Drawing: p_GEG00C
Date: 1999-12-13 10:12:00
Price file: GEFim071199.Dat

Bill of Material

Part Number	Qty	Description	E/U OEM	Price	Sub.tot
1	1	DA-PB10A-AB 1 AS DS10 6/466 128MB UNIX	X X	34150	34150
1.1	1	3R-VRQV5-24 1 COMPAQ V55 CLR MON,NH,TCO95	N A	2086	2086
1.2	1	3X-MS310-BA 1 DS10 128MB DIMM MEM	X X	4052	4052
1.3	1	BN19C-2E 1 PowerCable 240V, C-Europe	N R	58	58
1.4	1	BN39C-02 1 1.8 Video Extension Cable ****	X X	161	161
1.5	2	DS-RZ2DA-WA 2 9.1GB 7200RPM UltraSCSI Disk	Y M	2800	5600
1.6	1	KZPBA-CA 1 PCI to UltraSCSI Adapter UWSE	Y M	2732	2732
1.7	1	SN-PBXGK-BB 1 Elsa Gloria Synergy 8M Video Graphics	N A	1799	1799
1.8	1	TLZ10-LB 1 12/24GB 4mm DAT 5.25" HH	Y M	8300	8300
2	1	SN-LKQ47-AF 1 102 KEY KYBD, NON-WIN, Finnish	N A	154	154
3	1	BN19C-2E 1 PowerCable 240V, C-Europe	N R	58	58

Grand Total:

59150

Generated with fresh GOLDEN EGGS Software, Rev:17-Oct-2000

System and options have been dragged from GOLDEN EGGS menu.

GOLDEN EGGS Software:

- This software runs on a normal office PC or LapTop.
- Tool for Compaq system designer and Sales.
- Rich Compaq product palette for Alpha and StorageWorks.
- Easy to use, just drag and drop.
- One picture talks thousands of words!

- Contains a rich set of ready made system templates.
- Bill of material, BOM, is pulled from the picture.
- Configuration pricing is available in local curenncy.

How to get GOLDEN EGGS Software:

Send your request to:

Matti.Patari@compaq.comm

www.Compaq.com/golden-eggs

Since: Sep-1988

COMPAQ	26-Oct-2000	GEG00C
	Matti.Patari@Compaq.com	
GOLDEN EGGS Software, 17-Oct-00		
GOLDEN EGGS Visuals, Helsinki		

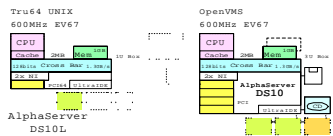
GE-Software

1-CPU, 1xPCI

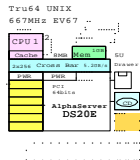
AlphaServer Family Line

32-CPU, 223xPCI

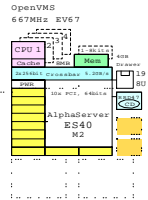
DS10



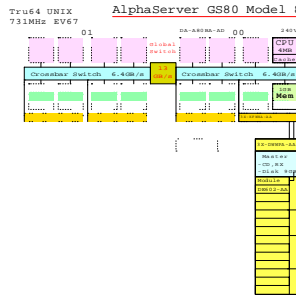
DS20E



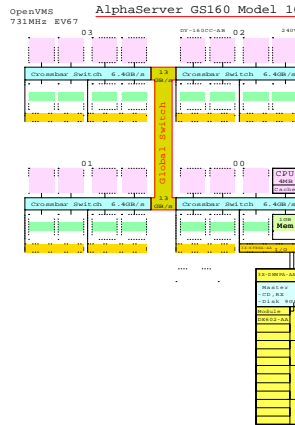
ES40



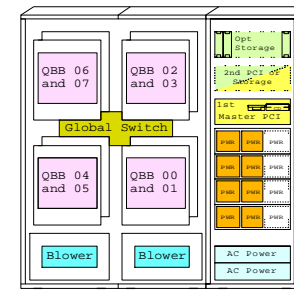
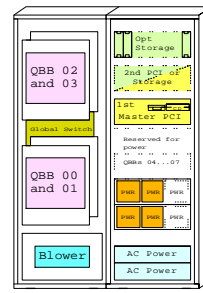
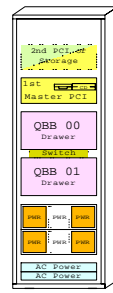
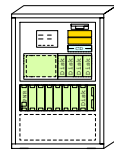
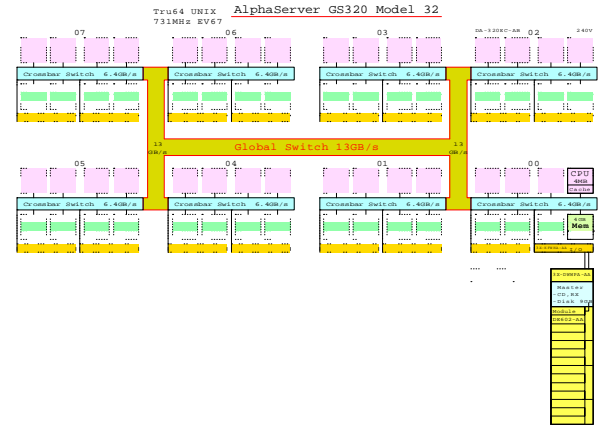
GS80



GS160



GS320



Operating systems:

- Tru64 UNIX
- OpenVMS
- Linux

One U

Cabinets..

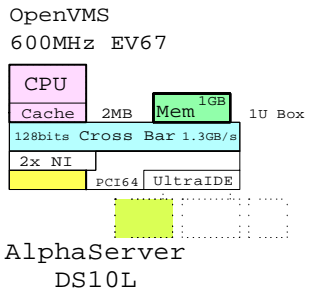
GEA00M

More Alpha GOLDEN EGGS Examples in Web: www.compaq.com/golden-eggs

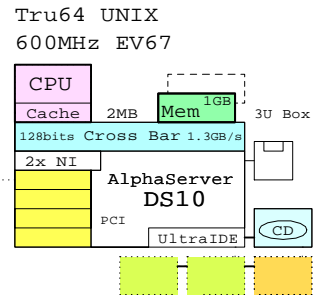


AlphaServer Family: DS10L - ES40

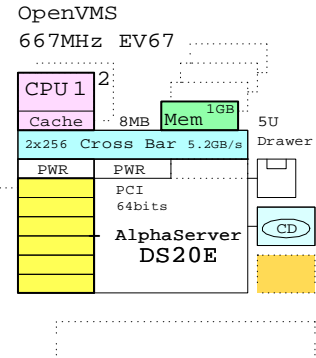
DS10L



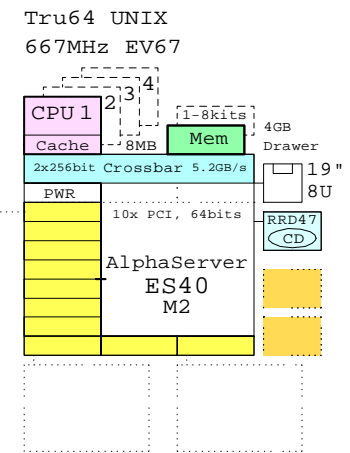
DS10



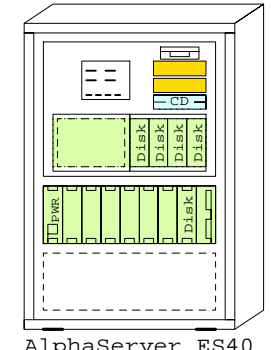
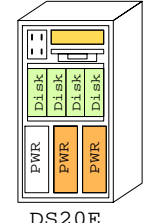
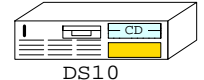
DS20E



ES40



Operating systems:
 - Tru64 UNIX
 - OpenVMS
 - Linux



One U

Cabinets..

www.Compaq.com/golden-eggs
Since Oct-2000

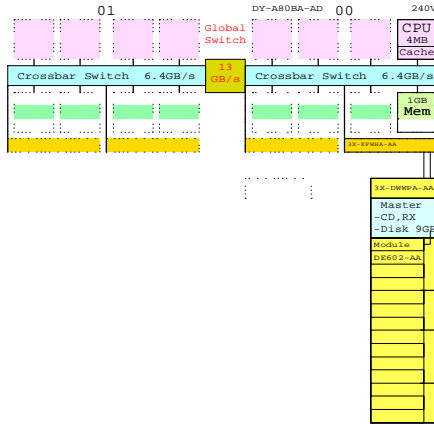
COMPAQ	20-Oct-2000	GEA00K
	Matti.Patari@Compaq.Com	
Compaq AlphaServer Family		
DS10L DS10 DS20E ES40		

AlphaServer Family: GS80 - GS320

GS80

OpenVMS
731MHz EV67

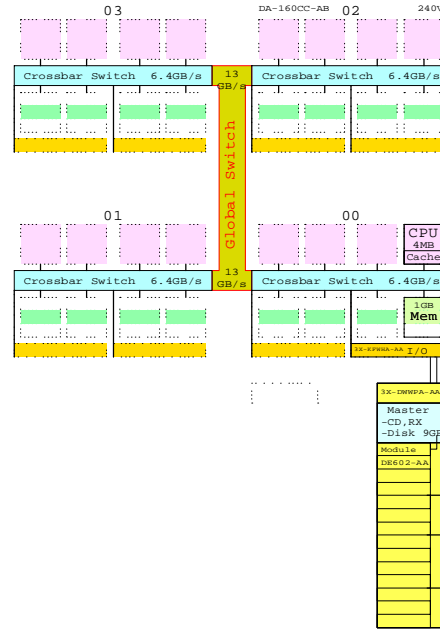
AlphaServer GS80 Model 8



GS160

Tru64 UNIX
731MHz EV67

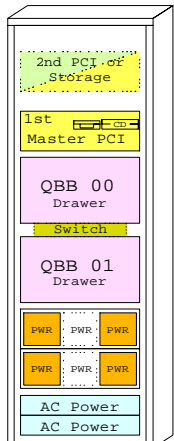
AlphaServer GS160 Model 16



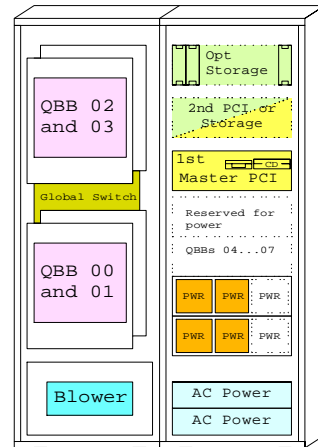
GS320

OpenVMS
731MHz EV67

AlphaServer GS320 Model 32

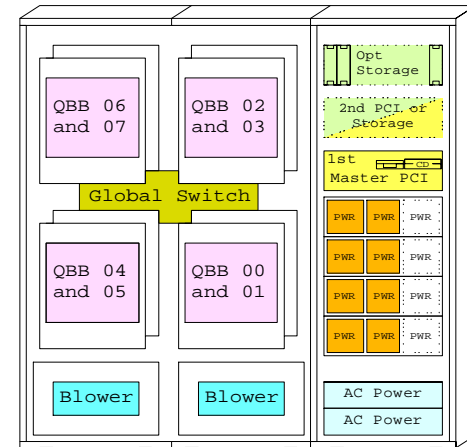


AlphaServer GS80



AlphaServer GS160

Operating systems:
- Tru64 UNIX
- OpenVMS



AlphaServer GS320

www.Compaq.com/golden-eggs

COMPAQ 20-Oct-2000 GEA00L
Matt.Pataris@Compaq.Com

Compaq AlphaServer Family
GS80 GS160 and GS320

AlphaServer DS10L 67/600 Systems

Server systems, 64bits 600MHz

Memory	Tru64 UNIX	OpenVMS	Linux ready
256MB	DA-71BAA-DA	DY-71BAA-DA	DJ-71BAA-DA
512MB	DA-71BAA-EA	DY-71BAA-EA	DJ-71BAA-EA
1GB	DA-71BAA-FA	DY-71BAA-FA	DJ-71BAA-FA

Disk storage

IDE Disk	IDE
3X-RE56A-BA	10GB 7200r IDE drive
3X-RE57A-BA	30GB 7200r IDE drive
3X-BN51A-IB	One drop IDE cable, 1-2x
SCSI Disk	SCSI
DS-RZ1DD-WA	9.1GB 10k Ultra3 drive
DS-RZ3EF-WA	18GB 10k Ultra3 drive
DS-RZ3FD-WA	36GB 10k Ultra3 drive
3X-BN50A-05	One drop SCSI cable, 0-1x
3X-BN50A-02	Two drop SCSI cable, 0-1x

KZPBA-CA	UltraSCSI SE adapter
KZPAC-AA	UltraSCSI RAID adapter
3X-DEPVZ-AA	1 Ultra2, 2D Grap, Ether.
3X-DEPVD-AA	Permedia P2, Ethernet

Load device

3X-PBXRY-AA	CD and Diskette combo
-------------	-----------------------

Cabinet shelf kits

3X-PBX01-BE	Rack kit Single
3X-PBX01-BD	Rack kit Quad

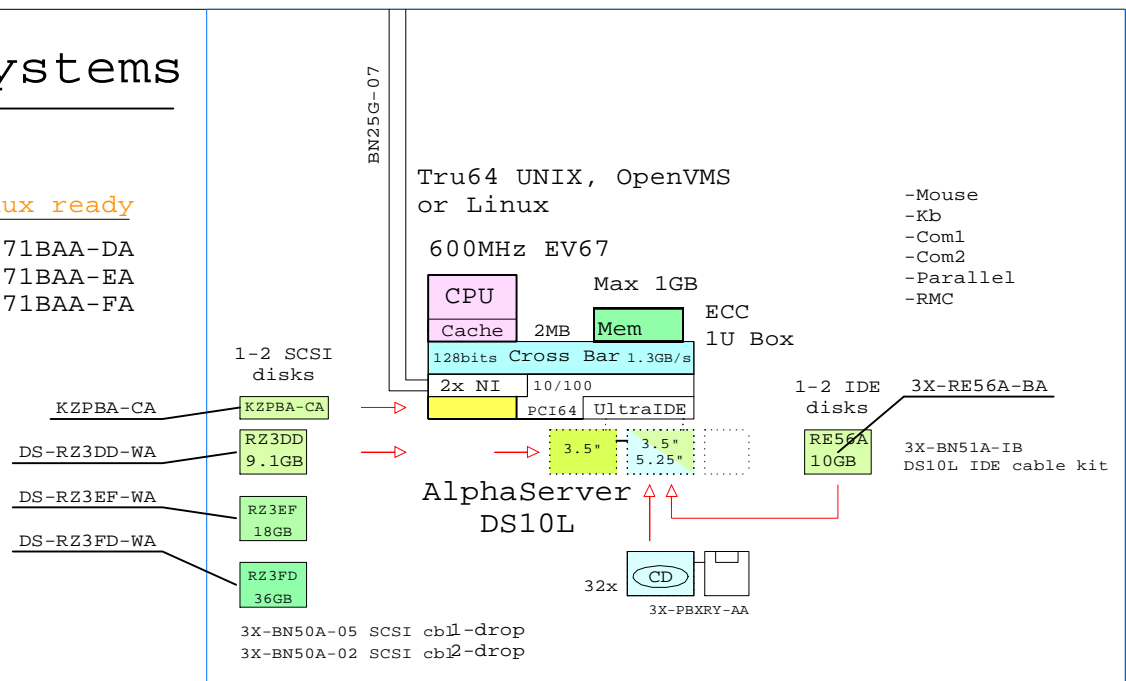
Memory swap, max memory =1GB

3X-MS310-DA	512MB
3X-MS310-EA	1GB

Power cords

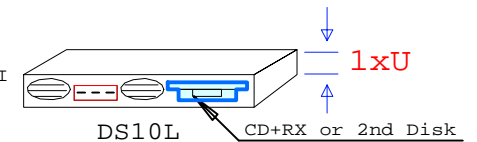
BN19C-2E	Europe
BN19A-2E	GB
BN19E-2E	CH
BN19K-2E	DK
BN19M-2E	I

SN-PBQWS-WA	Compaq mouse
-------------	--------------



Mandatory options:

- System Disk, IDE or SCSI
- Drop cable



Licenses included:

- Tru64 UNIX V4.0F, Base license, 2-user Base license, Server Extension license, and Internet Access Software license and Netscape's Enterprise Server.

OpenVMS V7.2-1, Base license and DIGITAL Enterprise Integration Package.

	@600MHz	@466MHz
SPECint95	35	24
SPECfp95	56	47

Software Processor Code: E

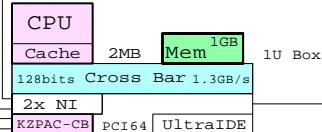
COMPAQ	12-Oct-2000	GEADS10L2
	Matti.Patari@compaq.com	

AlphaServer DS10L 600MHz Syst.
GOLDEN EGGS Visuals, Helsinki

Ethernet
Ethernet

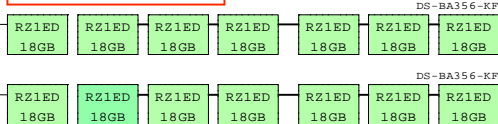
DS10L UNIX with External SCSI RAID

Tru64 UNIX
600MHz EV67

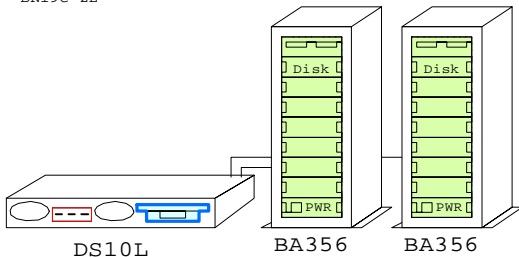


AlphaServer
DS10L

External BA356s

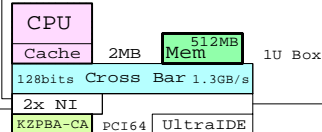


BN19C-2E
BN19C-2E



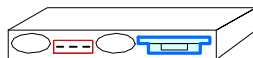
DS10L UNIX, SCSI, One-box

Tru64 UNIX
600MHz EV67



AlphaServer
DS10L

3X-BN50A-02 SCSI cbl
BN19C-2E



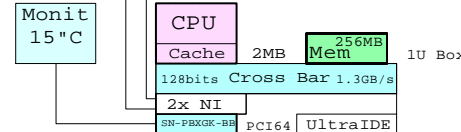
DS10L

Bill of material

	Part Number	Qty	Description
	DA-71BAA-EA	1	AS DS10L 67/600 512MB UNIX
1.1	DS-RZ2EF-WA	2	18GB 10000RPM UltraSCSI Disk
1.2	KZPBA-CA	1	PCI to UltraSCSI Adapter UWSE
2	VT510-A4	1	Text Terminal WH Intl No-hemi
3	3X-BN50A-02	1	Two drop SCSI cable, LED
4	SN-LKQ47-AF	1	102 KEY KYBD, NON-WIN, Finnish
5	BN19C-2E	2	PowerCable 240V, C-Europe

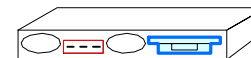
DS10L UNIX, IDE, One-box

Tru64 UNIX
600MHz EV67



AlphaServer
DS10L

3X-BN51A-IB IDE cbl
BN19C-2E



DS10L

Bill of material

	Part Number	Qty	Description
	DA-71BAA-DA	1	AS DS10L 67/600 256MB UNIX
1.1	3X-PBXRY-AA	1	Diskette/ 24x CD-ROM Combo
1.2	3X-RE56A-BA	1	DS10 10GB 7200 IDE-disk drive 1"
1.3	SN-PBXGK-BB	1	Elsa Gloria Synergy 8M Video Graphics
2	3R-VRQV5-24	1	COMPAQ V55 CLR MON,NH,TCO95
3	3X-BN51A-IB	1	One drop DS10L IDE cable
4	SN-PBQWS-WA	1	Standard Compaq opal mouse
5	BN39C-02	1	1.8 Video Extension Cable ****
6	SN-LKQ47-AF	1	102 KEY KYBD, NON-WIN, Finnish
7	BN19C-2E	2	PowerCable 240V, C-Europe

www.compaq.com/golden-eggs
Since: Oct-2000

Bill of material

	Part Number	Qty	Description
	DA-71BAA-FA	1	AS DS10L 67/600 1GB UNIX
1.1	3X-PBXRY-AA	1	Diskette/ 24x CD-ROM Combo
1.2	3X-RE56A-BA	1	DS10 10GB 7200 IDE-disk drive 1"
1.3	KZPAC-CB	1	3 Chan. SCSI RAID 8MB UltraW
1.4	KZFSC-UB	1	Battery Backup for KZFSC
2	DS-BA356-KF	1	Pedestal Storage, UltraW, Single-Bus
2.1	DS-RZ1ED-VW	7	18.2GB 10000r UltraSCSI disk
3	DS-BA356-KF	1	Pedestal Storage, UltraW, Single-Bus
3.1	DS-RZ1ED-VW	7	18.2GB 10000r UltraSCSI disk
4	VT510-A4	1	Text Terminal WH Intl No-hemi
5	3X-BN51A-IB	1	One drop DS10L IDE cable
6	SN-LKQ47-AF	1	102 KEY KYBD, NON-WIN, Finnish
7	BN19C-2E	4	PowerCable 240V, C-Europe
8	BN37A-02	2	Ultra Cbl VHDCI - VHDCI

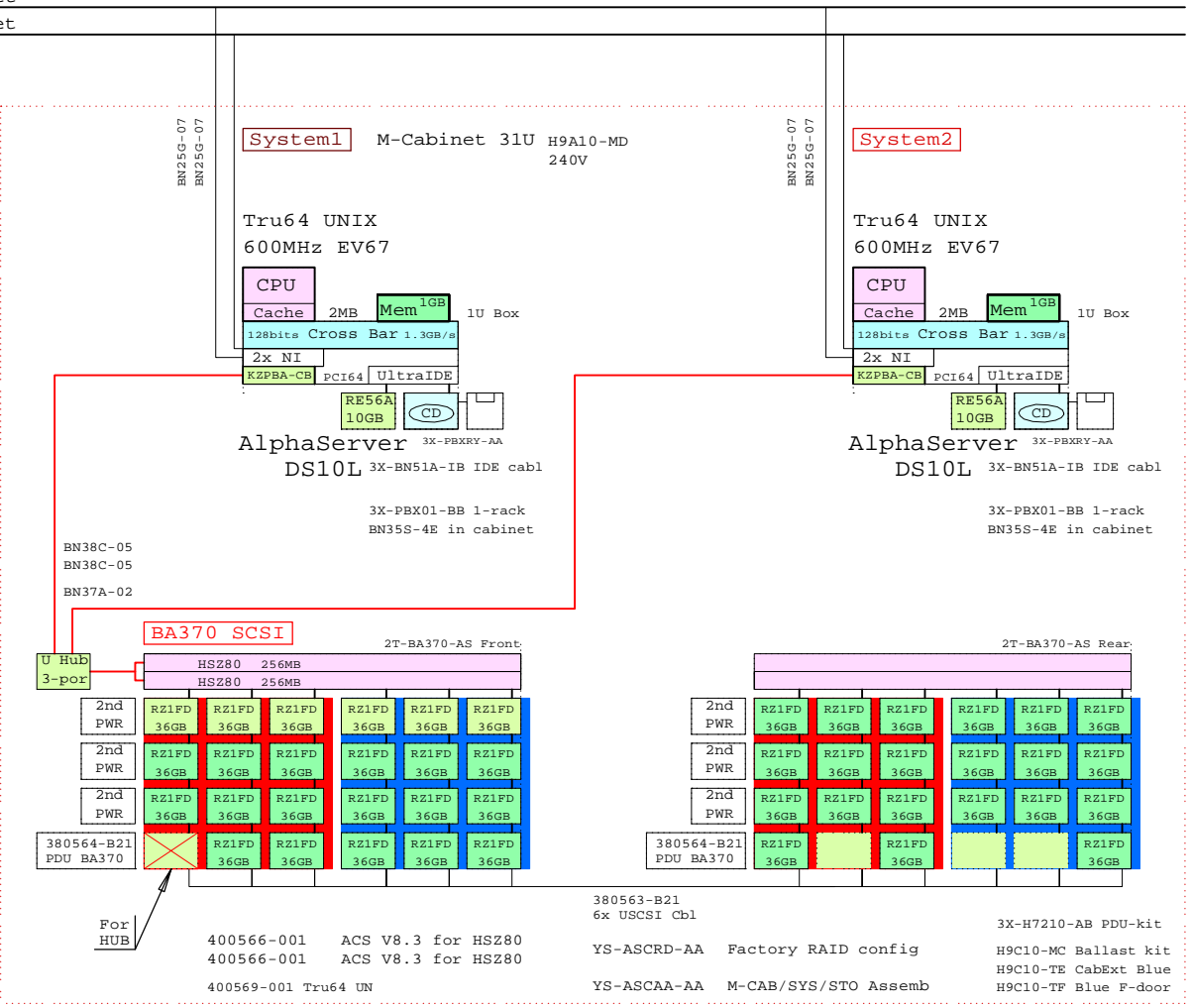
This template is included in the present GOLDEN EGGS Software kit.

DS10L UNIX

COMPAQ	11-Oct-2000	GTAUDS10L3
	Matti.Patari@Compaq.com	
AlphaServer DS10L UNIX systems		
GOLDEN EGGS Visuals, Helsinki		

DS10L UNIX Cluster with in-cabinet RAID storage

Ethernet
Ethernet



BOM for this cabinet system

Part Number	Qty	Description
H9A10-MD	1	M-Series Cab,H9A10,Blue,240V 31U
1.1	2T-BA370-AR	1 BA370 shelf_slides Rear RackMount
1.1.1	380564-B21	1 Power Distribution Unit RA8k/7k
1.1.2	380565-B21	3 Power Suply 180W Hot Plug SBB
1.1.3	DS-RZ1FD-VW	21 36GB 10000r UltraSCSI Disk
1.2	2T-BA370-AS	1 BA370 shelf_slides Front RackMount
1.2.1	380564-B21	1 Power Distribution Unit RA8k/7k
1.2.2	380565-B21	3 Power Suply 180W Hot Plug SBB
1.2.3	400565-B21	2 Ultra Opt.1 cont w 2x128MB cache HSZ80
1.2.4	DS-DWZ2H-03	1 Uscsi Act hub 0 SE:3/Dif 3.5" SBB
1.2.5	DS-RZ1FD-VW	23 36GB 10000r UltraSCSI Disk
1.3	380563-B21	1 Set of six USCSI cables
1.4	3X-H7210-AB	1 PDU Fan Cable mgt kit Europe
1.5	3X-PBX01-BB	2
1.6	400566-001	2 HSZ80 Controller Software ACS V8.3
1.7	400569-001	1 Ultra opt OS Software Tru64 UNIX
1.8	BN25G-07	4 17-03212-05 8MP-8MP PATCH CBL
1.9	BN35S-4E	2 PowerCord C13 to C14, Non US
1.10	BN37A-02	1 Ultra Cbl VHDCI - VHDCI
1.11	BN38C-05	2 Ultra Cbl VHDCI - 68HD
1.12	DA-71BAA-FA	1 AS DS10L 67/600 1GB UNIX
1.12.1	3X-BN51A-IB	1 One drop DS10L IDE cable
1.12.2	3X-PBXRY-AA	1 Diskette/ 24x CD-ROM Combo
1.12.3	3X-RE56A-BA	1 DS10 10GB 7200 IDE-disk drive 1"
1.12.4	KZPBA-CB	1 PCI to UltraSCSI Adapter UWdif
1.13	DA-71BAA-FA	1 AS DS10L 67/600 1GB UNIX
1.13.1	3X-BN51A-IB	1 One drop DS10L IDE cable
1.13.2	3X-PBXRY-AA	1 Diskette/ 24x CD-ROM Combo
1.13.3	3X-RE56A-BA	1 DS10 10GB 7200 IDE-disk drive 1"
1.13.4	KZPBA-CB	1 PCI to UltraSCSI Adapter UWdif
1.14	H9C10-MC	1 Ballast Kit for cabinets
1.15	H9C10-TE	1 Rear cab extender for H9A10 Blue
1.16	H9C10-TF	1 FrontDoorKit Blue for H9A10
1.17	YS-ASCAA-AA	1 M-CAB/SYS/STO Assembly
1.18	YS-ASCRD-AA	1 Factory configured RAID sets of BA370

www.Compaq.com/golden-eggs
Since:Oct-2000

COMPAQ 11-Oct-2000 GTAUDS10L4
Matti.Patari@Compaq.com

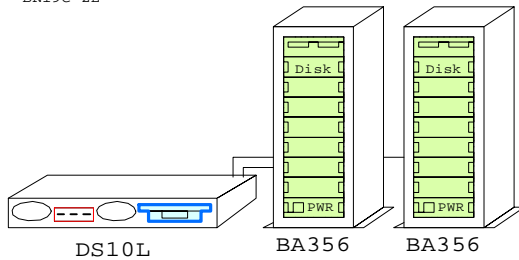
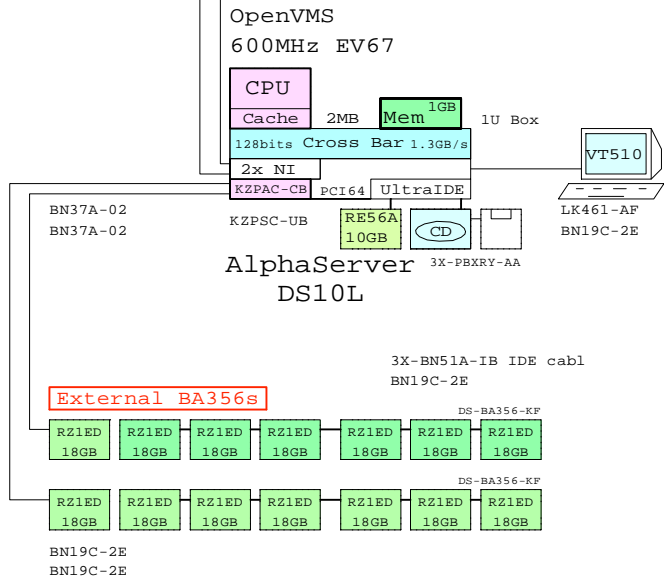
AlphaServer DS10L UNIX Cluster
GOLDEN EGGS Visuals, Helsinki

This template is included in the present GOLDEN EGGS Software kit.

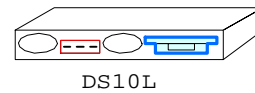
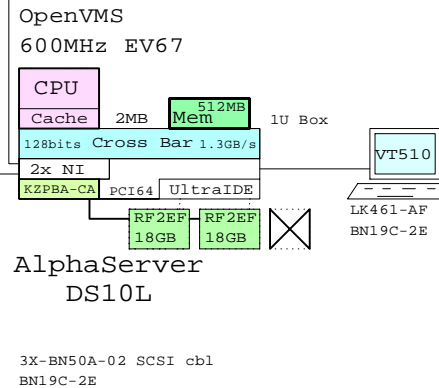
DS10L UNIX

Ethernet
Ethernet

DS10L OpenVMS with External SCSI RAID



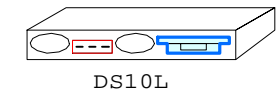
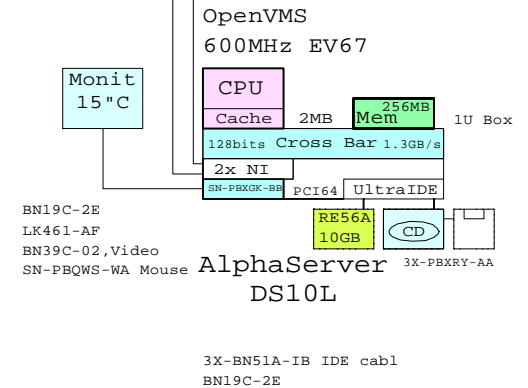
DS10L OpenVMS, SCSI, One-box



Bill of material

Part Number	Qty	Description
1	1	DY-71BAA-EA 1 AS DS10L 67/600 512MB OpenVMS
1.1	2	DS-RZ2EF-WA 2 18GB 10000RPM UltraSCSI Disk
1.2	1	KZPBA-CA 1 PCI to UltraSCSI Adapter UWSE
2	1	VT510-A4 1 Text Terminal WH Intl No-hemi
3	1	3X-BN50A-02 1 Two drop SCSI cable, LED
4	2	BN19C-2E 2 PowerCable 240V, C-Europe
5	1	LK461-AF 1 VMS STYLE KEYBOARD, Fin/Swed

DS10L OpenVMS, IDE, One-box



Bill of material

Part Number	Qty	Description
1	1	DY-71BAA-DA 1 AS DS10L 67/600 256MB OpenVMS
1.1	1	3X-PBXRY-AA 1 Diskette/ 24x CD-ROM Combo
1.2	1	3X-RE56A-BA 1 DS10 10GB 7200 IDE-disk drive 1"
1.3	1	SN-PBXGK-BB 1 Elsa Gloria Synergy 8M Video Graphics
2	1	3R-VRQV5-24 1 COMPAQ V55 CLR MON,NH,TCO95
3	1	3X-BN51A-IB 1 One drop DS10L IDE cable
4	1	SN-PBQWS-WA 1 Standard Compaq opal mouse
5	1	BN39C-02 1 1.8 Video Extension Cable ****
6	2	BN19C-2E 2 PowerCable 240V, C-Europe
7	1	LK461-AF 1 VMS STYLE KEYBOARD, Fin/Swed

www.Compaq.com/golden-eggs
Since:Oct-2000

Bill of material

Part Number	Qty	Description
1	1	DY-71BAA-FA 1 AS DS10L 67/600 1GB OpenVMS
1.1	1	3X-PBXRY-AA 1 Diskette/ 24x CD-ROM Combo
1.2	1	3X-RE56A-BA 1 DS10 10GB 7200 IDE-disk drive 1"
1.3	1	KZPAC-CB 1 3 Chan. SCSI RAID 8MB UltraW
1.4	1	KZPSC-UB 1 Battery Backup for KZPSC
2	1	DS-BA356-KF 1 Pedestal Storage, UltraW, Single-Bus
2.1	7	DS-RZ1ED-VW 7 18.2GB 10000r UltraSCSI disk
3	1	DS-BA356-KF 1 Pedestal Storage, UltraW, Single-Bus
3.1	7	DS-RZ1ED-VW 7 18.2GB 10000r UltraSCSI disk
4	1	VT510-A4 1 Text Terminal WH Intl No-hemi
5	1	3X-BN51A-IB 1 One drop DS10L IDE cable
6	4	BN19C-2E 4 PowerCable 240V, C-Europe
7	2	BN37A-02 2 Ultra Cbl VHDCI - VHDCI
8	1	LK461-AF 1 VMS STYLE KEYBOARD, Fin/Swed

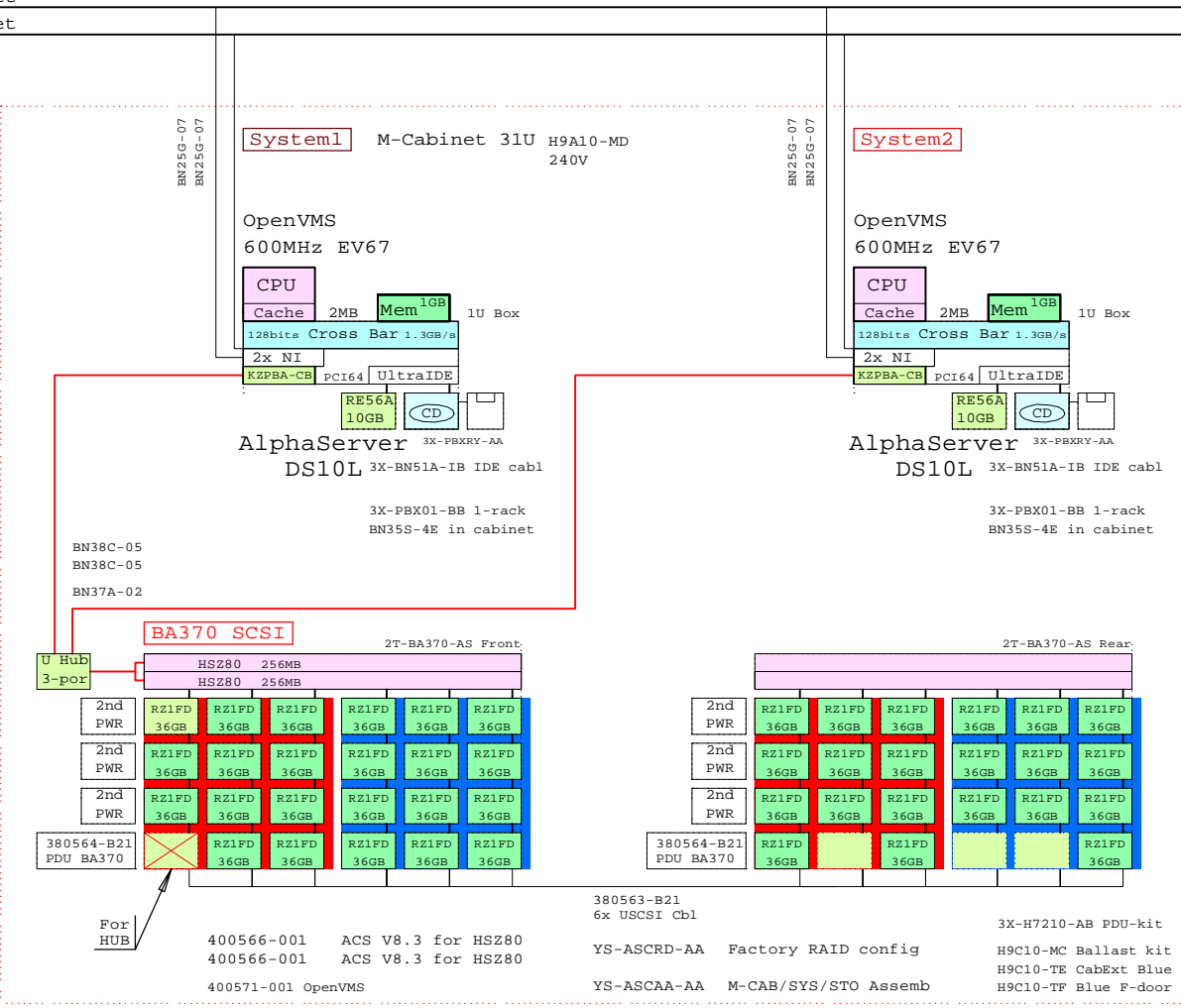
This template is included in the present GOLDEN EGGS Software kit.

DS10L OVMS

COMPAQ	11-Oct-2000	GTAVDS10L3
	Mattii.Patari@Compaq.com	
AlphaServer DS10L OVMS systems		
GOLDEN EGGS Visuals, Helsinki		

DS10L OpenVMS Cluster with in-cabinet RAID storage

Ethernet
Ethernet



BOM for this cabinet system

Part Number	Qty	Description
H9A10-MD	1	M-Series Cab,H9A10,Blue,240V 31U
1.1	2T-BA370-AR	1 BA370 shelf_slides Rear RackMount
1.1.1	380564-B21	1 Power Distribution Unit RA8k/7k
1.1.2	380565-B21	3 Power Suply 180W Hot Plug SBB
1.1.3	DS-RZ1FD-VW	21 36GB 10000r UltraSCSI Disk
1.2	2T-BA370-AS	1 BA370 shelf_slides Front RackMount
1.2.1	380564-B21	1 Power Distribution Unit RA8k/7k
1.2.2	380565-B21	3 Power Suply 180W Hot Plug SBB
1.2.3	400565-B21	2 Ultra Opt.1 cont w 2x128MB cache HSZ80
1.2.4	DS-DWZ2H-03	1 Uscsi Act hub 0 SE:3/Dif 3.5" SBB
1.2.5	DS-RZ1FD-VW	23 36GB 10000r UltraSCSI Disk
1.3	380563-B21	1 Set of six USCSI cables
1.4	3X-H7210-AB	1 PDU Fan Cable mgt kit Europe
1.5	3X-PBX01-BB	2
1.6	400566-001	2 HSZ80 Controller Software ACS V8.3
1.7	400571-001	1 Ultra opt OS Software OpenVMS
1.8	BN25G-07	4 17-03212-05 8MP-8MP PATCH CBL
1.9	BN35S-4E	2 PowerCord C13 to C14, Non US
1.10	BN37A-02	1 Ultra Cbl VHDCI - VHDCI
1.11	BN38C-05	2 Ultra Cbl VHDCI - 68HD
1.12	DY-71BAA-FA	1 AS DS10L 67/600 1GB OpenVMS
1.12.1	3X-BN51A-IB	1 One drop DS10L IDE cable
1.12.2	3X-PBXRY-AA	1 Diskette/ 24x CD-ROM Combo
1.12.3	3X-RE56A-BA	1 DS10 10GB 7200 IDE-disk drive 1"
1.12.4	KZPBA-CB	1 PCI to UltraSCSI Adapter UWdif
1.13	DY-71BAA-FA	1 AS DS10L 67/600 1GB OpenVMS
1.13.1	3X-BN51A-IB	1 One drop DS10L IDE cable
1.13.2	3X-PBXRY-AA	1 Diskette/ 24x CD-ROM Combo
1.13.3	3X-RE56A-BA	1 DS10 10GB 7200 IDE-disk drive 1"
1.13.4	KZPBA-CB	1 PCI to UltraSCSI Adapter UWdif
1.14	H9C10-MC	1 Ballast Kit for cabinets
1.15	H9C10-TE	1 Rear cab extender for H9A10 Blue
1.16	H9C10-TF	1 FrontDoorKit Blue for H9A10
1.17	YS-ASCAA-AA	1 M-CAB/SYS/STO Assembly
1.18	YS-ASCRD-AA	1 Factory configured RAID sets of BA370

www.Compaq.com/golden-eggs
Since:Oct-2000

COMPAQ	11-Oct-2000	GTAVDS10L4
	Matti.Patari@Compaq.com	

AlphaServer DS10L OVMS Cluster
GOLDEN EGGS Visuals, Helsinki

This template is included in the present GOLDEN EGGS Software kit.

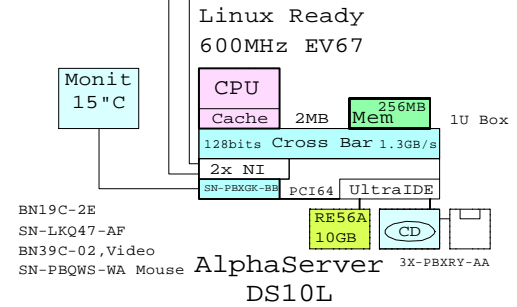
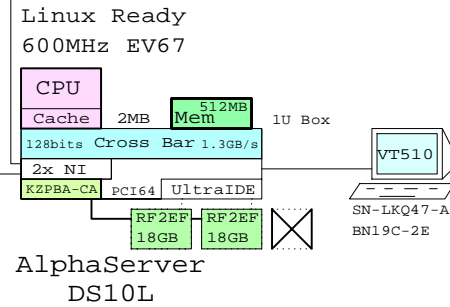
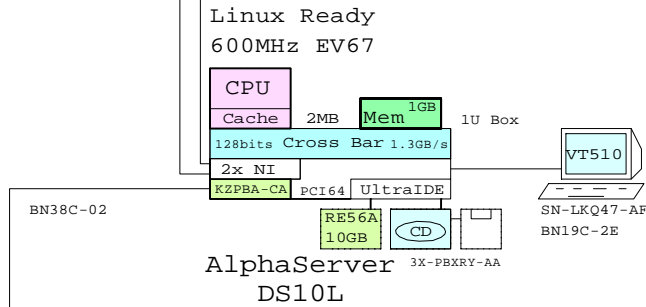
DS10L OVMS

Ethernet
Ethernet

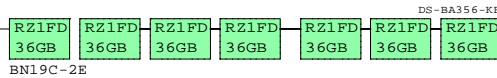
DS10L Linux with External storage

DS10L Linux, SCSI, One-box

DS10L Linux, IDE, One-box



External BA356



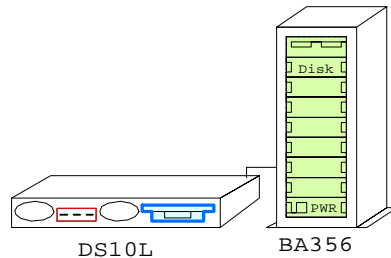
DS10L



DS10L

Bill of material

	Part Number	Qty	Description
	DJ-71BAA-EA	1	AS DS10L 67/600 512MB Linux Ready
1.1	DS-RZ2EF-WA	2	18GB 10000RPM UltraSCSI Disk
1.2	KZPBA-CA	1	PCI to UltraSCSI Adapter UWSE
2	VT510-A4	1	Text Terminal WH Intl No-hemi
3	3X-BN50A-02	1	Two drop SCSI cable, LED
4	SN-LKQ47-AF	1	102 KEY KYBD, NON-WIN, Finnish
5	BN19C-2E	2	PowerCable 240V, C-Europe



DS10L

BA356

Bill of material

	Part Number	Qty	Description
1	DJ-71BAA-FA	1	AS DS10L 67/600 1GB Linux Ready
1.1	3X-PBXRY-AA	1	Diskette/ 24x CD-ROM Combo
1.2	3X-RE56A-BA	1	DS10 10GB 7200 IDE-disk drive 1"
1.3	KZPBA-CA	1	PCI to UltraSCSI Adapter UWSE
2	DS-BA356-KF	1	Pedestal Storage, UltraW, Single-Bus
2.1	DS-RZ1FD-VW	7	36GB 10000r UltraSCSI Disk
3	VT510-A4	1	Text Terminal WH Intl No-hemi
4	3X-BN51A-IB	1	One drop DS10L IDE cable
5	SN-LKQ47-AF	1	102 KEY KYBD, NON-WIN, Finnish
6	BN19C-2E	3	PowerCable 240V, C-Europe
7	BN38C-02	1	Ultra Cbl VHDCI - 68HD

Bill of material

	Part Number	Qty	Description
1	DJ-71BAA-DA	1	AS DS10L 67/600 256MB Linux Ready
1.1	3X-PBXRY-AA	1	Diskette/ 24x CD-ROM Combo
1.2	3X-RE56A-BA	1	DS10 10GB 7200 IDE-disk drive 1"
1.3	SN-PBXGK-BB	1	Elsa Gloria Synergy 8M Video Graphics
2	3R-VRQV5-24	1	COMPAQ V55 CLR MON,NH,TC095
3	3X-BN51A-IB	1	One drop DS10L IDE cable
4	SN-PBQWS-WA	1	Standard Compaq opal mouse
5	BN39C-02	1	1.8 Video Extension Cable ****
6	SN-LKQ47-AF	1	102 KEY KYBD, NON-WIN, Finnish
7	BN19C-2E	2	PowerCable 240V, C-Europe

www.Compaq.com/golden-eggs
Since:Oct-2000

COMPAQ	11-Oct-2000	GTALDS10L3
	Matti.Patari@Compaq.com	
AlphaServer DS10L Linux system		
GOLDEN EGGS Visuals, Helsinki		

This template is included in the present GOLDEN EGGS Software kit.

DS10L Linux

AlphaServer DS10 67/600 Systems

Order number	Operating system	Server systems, 64bits 600MHZ
#1 DA-73BAA	-DA 256MB Tru64 UNIX -EA 512MB -FA 1GB	(Disk) RX,CD,NI, (Graphics)
DY-73BAA-**	OpenVMS	(Disk) RX,CD,NI, (Graphics)
DJ-73BAA-**	Linux	(Disk) RX,CD,NI, (Graphics)

#2 Select a system disk, IDE or SCSI; SCSI adapter and cable kit.

#3 SVGA color monitor #4 For 240V, select 2x power cords and one keyboard.

15" 3R-VRQV5-24/11
17" 3R-VRQP7-24/23
North/South
BN39C-02 2m ext.cable

SN-LKQ47	-AE GB	-AG G	-AM S
UNIX, Lin	-AB B	-AH NL	-AN N
LK461	-AD DK	-AI I	-AP F
OVMS	-AF FI	-AK CH	-AS E

BN19C-2E	Europe
BN19A-2E	GB
BN19E-2E	CH
BN19K-2E	DK
BN19M-2E	I

Internal options

Memory expansion

3X-MS310-CA	256MB	Max memory
3X-MS310-DA	512MB	
3X-MS310-EA	1GB	2x 1GB = 2GB

Internal storage

Tape storage

TLZ10-LB	12/24GB DAT SCSI tape
SN-PBXKP-BA	Wide to narrow adapt
KZPBA-CA	UltraSCSI SE adapter

Disk storage

3X-RE56A-BA	10GB IDE disk 7200
3X-RE57A-BA	30GB IDE disk 7200

3X-BN50A-03	SCSI Cable kit
DS-RZ3EF-WA	18.2GB Ultra3 disk 10k
DS-RZ3FD-WA	36.4GB Ultra3 disk 10k
KZPAC-CB	RAID 3-port, 8MB cache
KZPSC-UB	Cache battery
3X-PBX01-AB	H9Axx Cabinet shelf kit

Adapters

SN-PBXGK-BB	ELSA Gloria Syn. 8MB
3X-DE600-AA	Ethernet 10/100
DEGPA-SA	Gigabit Ethernet
KZPBA-CB	UltraSCSI Diff, 68HD
3X-DEPVZ-AA	1 Ultra2,2D Grap,Ether.
3X-DEPVD-AA	Permedia P2, Ethernet

External options

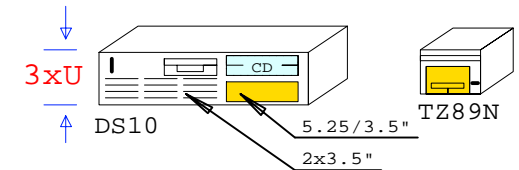
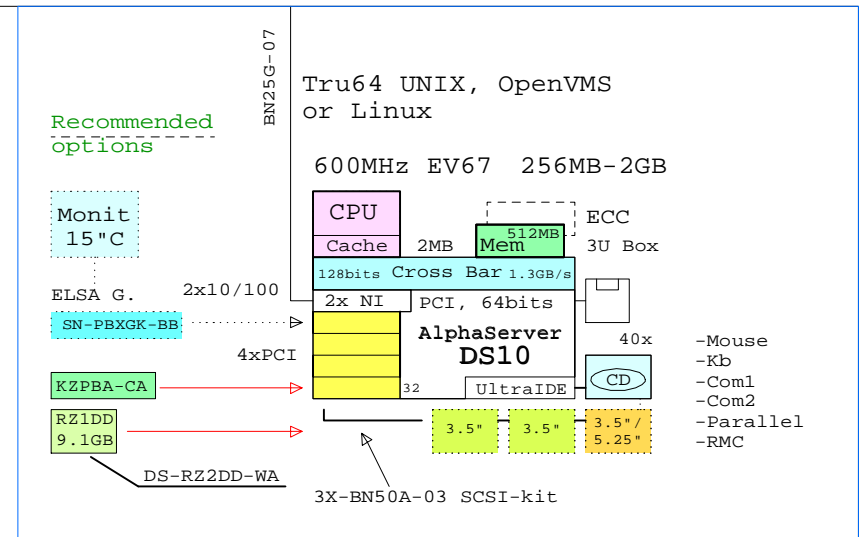
Tape storage

DS-TZ89N-TA	35/70GB DLT tape,TT
BN21K-02	SCSI cable, FWD
BN19C-2E	Power cord, Europe
KZPBA-CA	UltraSCSI SE adapter

Disk storage

DS-BA356-KF	Pedestal, single bus
DS-BA356-KG	Pedestal, split bus
BN37A-02	2m SCSI, VHDCI-VHDCI
BN19C-2E	Power cord, Europe
KZPAC-AA	RAID 1-port, 4Mbcache

DS-RZ1DD-VW	9.1GB UltraSCSI disk
DS-RZ1ED-VW	18 GB UltraSCSI disk



Licenses included:

- Tru64 UNIX V4.0F, Base license, Unlimited User license, Server Extension license, and Internet Access Software license and Netscape's Enterprise Server.
- OpenVMS V7.1-2, Base license and DIGITAL Enterprise Integration Package.

	@600MHZ	@466MHZ
SPECint95	35	24
SPECfp95	56	47

Software Processor Code: E

COMPAQ	12-Oct-2000	GEADS102
	Matti.Patari@Compaq.com	

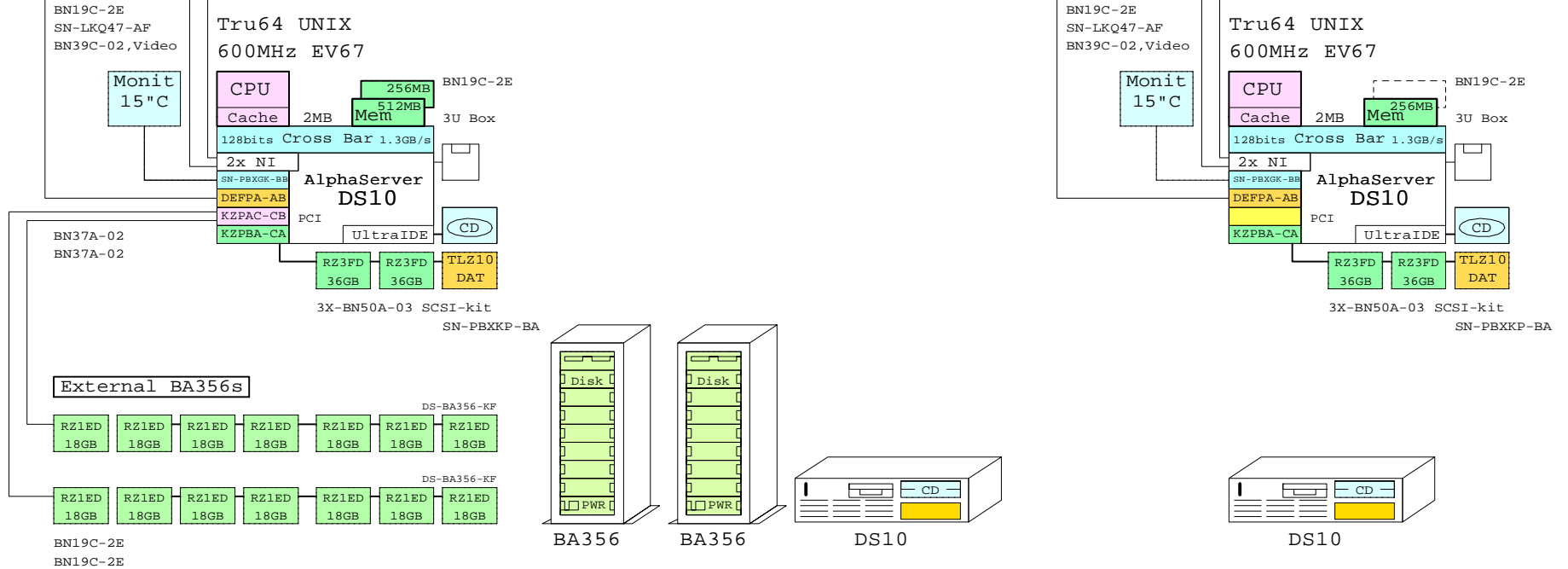
AlphaServer DS10 600MHZ System
GOLDEN EGGS Visuals, Helsinki

Ethernet
Ethernet
FDDI

DS10 UNIX Uscsi-based + External RAID

DS10 UNIX One-box

QA-054AA-H8 SW LP PKG U/A CDRM/D
QA-MT4AA-GZ Dig UNIX Alpha DOC F
QA-MT4AA-H8 Dig UNIX Alpha CDROM



Bill of Material for Uscsi-system

Part Number	Qty	Description
1	1	DA-73BAA-EA AS DS10 67/600 512MB UNIX
1.1	1	3R-VRQV5-24 COMPAQ V55 CLR MON,NH,TCO95
1.2	1	3X-MS310-CA DS10 256MB DIMM MEM
1.3	1	BN19C-2E PowerCable 240V, C-Europe
1.4	1	BN39C-02 1.8 Video Extension Cable ****
1.5	1	DEFFPA-AB PCI to FDDI SAS
1.6	2	DS-RZ3FD-WA 36.4GB 10kRPM Ultra3 SCSI Disk
1.7	1	KZPAC-CB 3 Chan. SCSI RAID 8MB UltraW
1.8	1	KZPBA-CA PCI to UltraSCSI Adapter UWSE
1.9	1	SN-PBXGK-BB Elsa Gloria Synergy 8M Video Graphics
1.10	1	TLZ10-LB 12/24GB 4mm DAT 5.25" HH
2	1	DS-BA356-KF Pedestal Storage, UltraW, Single-Bus
2.1	7	DS-RZ1ED-VW 18.2GB 10000r UltraSCSI disk
3	1	DS-BA356-KF Pedestal Storage, UltraW, Single-Bus
3.1	7	DS-RZ1ED-VW 18.2GB 10000r UltraSCSI disk
4	1	3X-BN50A-03 SCSI cable kit, LED, 3x disk
5	1	SN-LKQ47-AF 102 KEY KYBD, NON-WIN, Finnish
6	1	SN-PBXKP-BA WIDE TO NARROW SCSI ADAPTER
7	3	BN19C-2E PowerCable 240V, C-Europe
8	2	BN37A-02 Ultra Chl VHDCI - VHDCI

Bill of Material for one-box system

Part Number	Qty	Description
1	1	DA-73BAA-DA AS DS10 67/600 256MB UNIX
1.1	1	3R-VRQV5-24 COMPAQ V55 CLR MON,NH,TCO95
1.2	1	BN19C-2E PowerCable 240V, C-Europe
1.3	1	BN39C-02 1.8 Video Extension Cable ****
1.4	1	DEFFPA-AB PCI to FDDI SAS
1.5	2	DS-RZ3FD-WA 36.4GB 10kRPM Ultra3 SCSI Disk
1.6	1	KZPBA-CA PCI to UltraSCSI Adapter UWSE
1.7	1	SN-PBXGK-BB Elsa Gloria Synergy 8M Video Graphics
1.8	1	TLZ10-LB 12/24GB 4mm DAT 5.25" HH
2	1	3X-BN50A-03 SCSI cable kit, LED, 3x disk
3	1	SN-LKQ47-AF 102 KEY KYBD, NON-WIN, Finnish
4	1	SN-PBXKP-BA WIDE TO NARROW SCSI ADAPTER
5	1	BN19C-2E PowerCable 240V, C-Europe

www.Compaq.com/golden-eggs
Since: Oct-2000



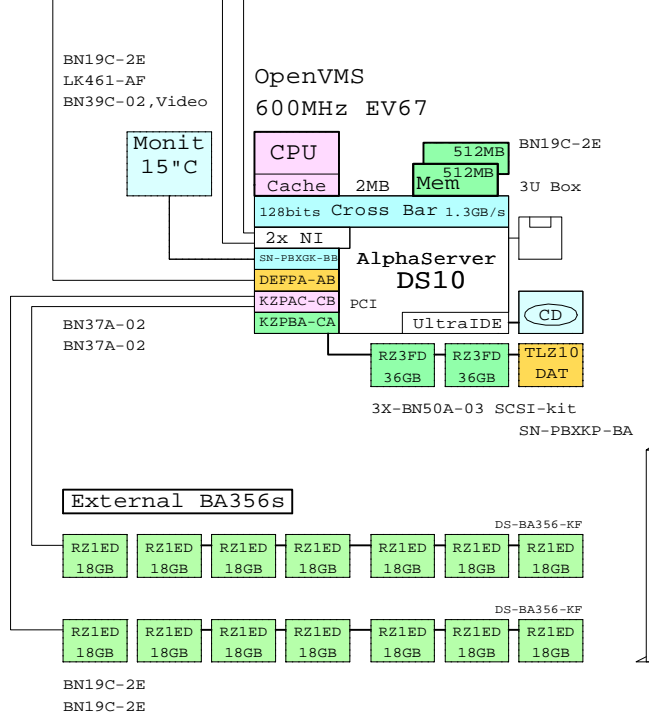
11-Oct-2000 GTAUDS102
Matti.Patari@Compaq.com

AlphaServer DS10 UNIX Systems
GOLDEN EGGS Visuals, Helsinki

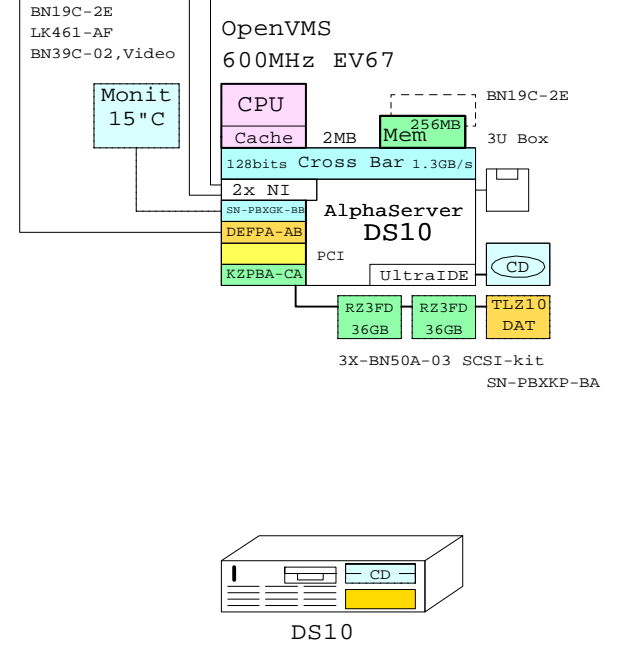
Ethernet
Ethernet
FDDI

DS10 OpenVMS Uscsi-based + External RAID

DS10 OpenVMS One-box



QA-001AA-GZ OVMS Full Documentat
QA-03XAA-H8 SW LP PKG V/A DOC CD
QA-MT1AA-H8 OVMS Alpha Bin+Onlin



Bill of Material for Uscsi-system

Part Number	Qty	Description
1	1	DY-73BAA-EA AS DS10 67/600 512MB OpenVMS
1.1	1	3R-VROV5-24 COMPAQ V55 CLR MON,NH,TCO95
1.2	1	3X-MS310-DA DS10 512MB DIMM MEM
1.3	1	BN19C-2E PowerCable 240V, C-Europe
1.4	1	BN39C-02 1.8 Video Extension Cable ****
1.5	1	DEFPA-AB PCI to FDDI SAS
1.6	2	DS-RZ3FD-WA 36.4GB 10kRPM Ultra3 SCSI Disk
1.7	1	KZPAC-CB 3 Chan. SCSI RAID 8MB UltraW
1.8	1	KZPBA-CA PCI to UltraSCSI Adapter UWSE
1.9	1	SN-PBXGK-BB Elsa Gloria Synergy 8M Video Graphics
1.10	1	TLZ10-LB 12/24GB 4mm DAT 5.25" HH
2	1	DS-BA356-KF Pedestal Storage, UltraW, Single-Bus
2.1	7	DS-RZ1ED-VW 18.2GB 10000r UltraSCSI disk
3	1	DS-BA356-KF Pedestal Storage, UltraW, Single-Bus
3.1	7	DS-RZ1ED-VW 18.2GB 10000r UltraSCSI disk
4	1	3X-BN50A-03 SCSI cable kit, LED,3x disk
5	1	SN-PBXKP-BA WIDE TO NARROW SCSI ADAPTER
6	3	BN19C-2E PowerCable 240V, C-Europe
7	2	BN37A-02 Ultra Chl VHDCI - VHDCI
8	1	LK461-AF VMS STYLE KEYBOARD, Fin/Swed

Bill of Material for One-box system

Part Number	Qty	Description
1	1	DY-73BAA-DA AS DS10 67/600 256MB OpenVMS
1.1	1	3R-VROV5-24 COMPAQ V55 CLR MON,NH,TCO95
1.2	1	BN19C-2E PowerCable 240V, C-Europe
1.3	1	BN39C-02 1.8 Video Extension Cable ****
1.4	1	DEFPA-AB PCI to FDDI SAS
1.5	2	DS-RZ3FD-WA 36.4GB 10kRPM Ultra3 SCSI Disk
1.6	1	KZPBA-CA PCI to UltraSCSI Adapter UWSE
1.7	1	SN-PBXGK-BB Elsa Gloria Synergy 8M Video Graphics
1.8	1	TLZ10-LB 12/24GB 4mm DAT 5.25" HH
2	1	3X-BN50A-03 SCSI cable kit, LED,3x disk
3	1	SN-PBXKP-BA WIDE TO NARROW SCSI ADAPTER
4	1	BN19C-2E PowerCable 240V, C-Europe
5	1	LK461-AF VMS STYLE KEYBOARD, Fin/Swed

www.Compaq.com/golden-eggs
Since:Oct-2000

COMPAQ	11-Oct-2000	GTAVDS102
	Matti.Patari@Compaq.com	

AlphaServer DS10 OpenVMS Syst.
GOLDEN EGGS Visuals, Helsinki

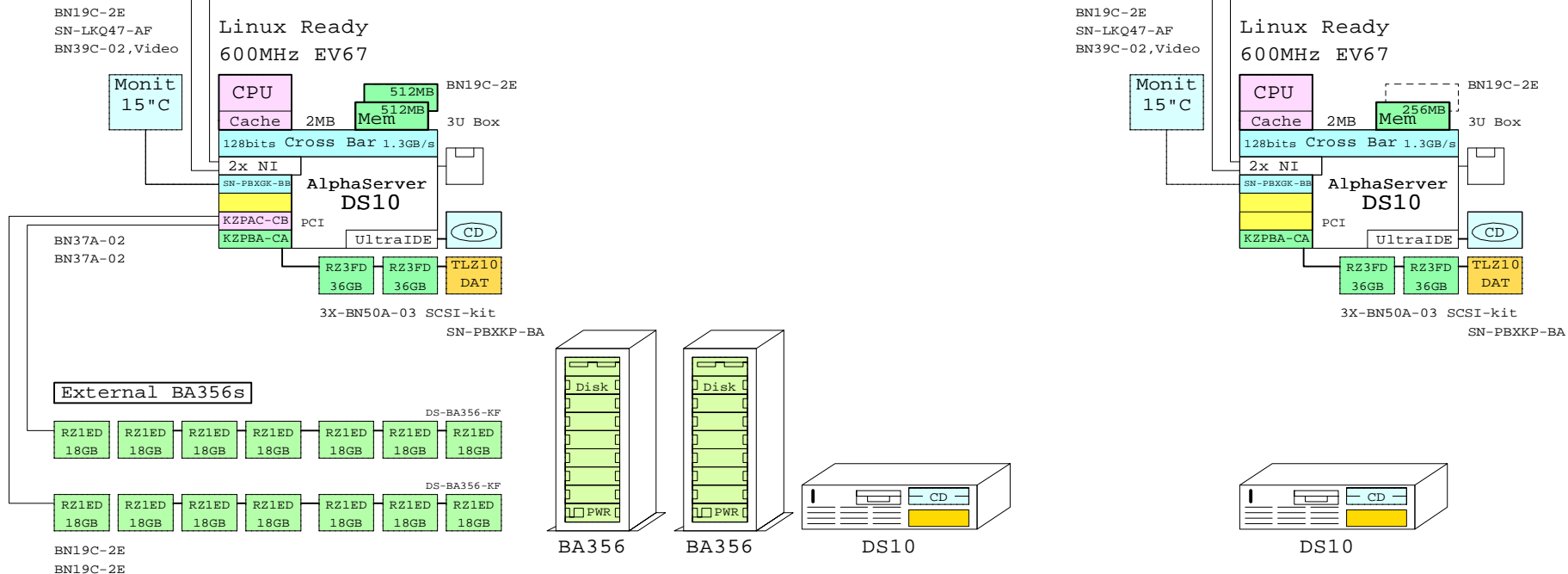
This template is included in the present GOLDEN EGGS Software kit.

DS10 OVMS

Ethernet
Ethernet

DS10 Linux Ready Uscsi-based + External RAID

DS10 Linux Ready One-box



Bill of Material for Uscsi-system

	Part Number	Qty	Description
1	DJ-73BAA-EA	1	AS DS10 67/600 512MB Linux Ready
1.1	3R-VRQV5-24	1	COMPAQ V55 CLR MON,NH,TCO95
1.2	3X-MS310-DA	1	DS10 512MB DIMM MEM
1.3	BN19C-2E	1	PowerCable 240V, C-Europe
1.4	BN39C-02	1	1.8 Video Extension Cable ****
1.5	DS-RZ3FD-WA	2	36.4GB 10kRPM Ultra3 SCSI Disk
1.6	KZPAC-CB	1	3 Chan. SCSI RAID 8MB UltraW
1.7	KZPBA-CA	1	PCI to UltraSCSI Adapter UWSE
1.8	SN-PBXGK-BB	1	Elsa Gloria Synergy 8M Video Graphics
1.9	TLZ10-LB	1	12/24GB 4mm DAT 5.25" HH
2	DS-BA356-KF	1	Pedestal Storage, UltraW, Single-Bus
2.1	DS-RZ1ED-VW	7	18.2GB 10000r UltraSCSI disk
3	DS-BA356-KF	1	Pedestal Storage, UltraW, Single-Bus
3.1	DS-RZ1ED-VW	7	18.2GB 10000r UltraSCSI disk
4	3X-BN50A-03	1	SCSI cable kit, LED,3x disk
5	SN-LKQ47-AF	1	102 KEY KYBD,NON-WIN, Finnish
6	SN-PBXKP-BA	1	WIDE TO NARROW SCSI ADAPTER
7	BN19C-2E	3	PowerCable 240V, C-Europe
8	BN37A-02	2	Ultra Chl VHDCI - VHDCI

Bill of Material for one-box system

	Part Number	Qty	Description
1	DJ-73BAA-DA	1	AS DS10 67/600 256MB Linux Ready
1.1	3R-VRQV5-24	1	COMPAQ V55 CLR MON,NH,TCO95
1.2	BN19C-2E	1	PowerCable 240V, C-Europe
1.3	BN39C-02	1	1.8 Video Extension Cable ****
1.4	DS-RZ3FD-WA	2	36.4GB 10kRPM Ultra3 SCSI Disk
1.5	KZPBA-CA	1	PCI to UltraSCSI Adapter UWSE
1.6	SN-PBXGK-BB	1	Elsa Gloria Synergy 8M Video Graphics
1.7	TLZ10-LB	1	12/24GB 4mm DAT 5.25" HH
2	3X-BN50A-03	1	SCSI cable kit, LED,3x disk
3	SN-LKQ47-AF	1	102 KEY KYBD,NON-WIN, Finnish
4	SN-PBXKP-BA	1	WIDE TO NARROW SCSI ADAPTER
5	BN19C-2E	1	PowerCable 240V, C-Europe

www.Compaq.com/golden-eggs
Since:Oct-2000

COMPAQ	11-Oct-2000	GTALDS102
	Matti.Patari@Compaq.com	

AlphaServer DS10 Linux Systems
GOLDEN EGGS Visuals, Helsinki

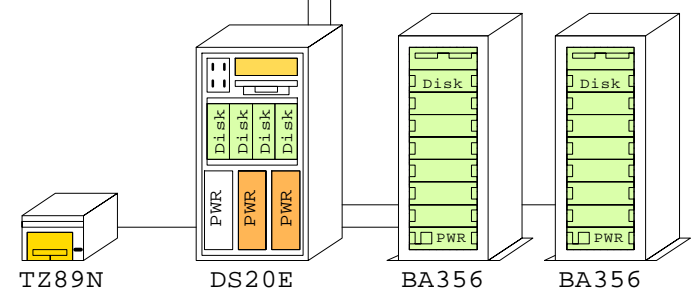
This template is included in the present GOLDEN EGGS Software kit.

DS10 Linux

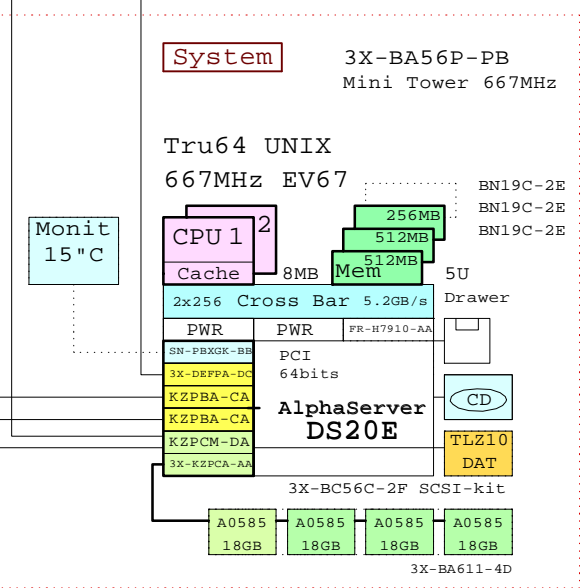
DS20E expanded Tru64 UNIX system

FDDI

Ethernet



SN-LKQ47-AF
BN39C-02, Video
BN19C-2E

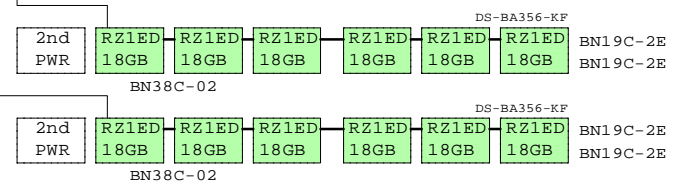


Bill of material

	Part Number	Qty	Description
1	3X-BA56P-PB	1	DS20E Mini tower pedestal kit,667MHz
1.1	BN19C-2E	3	PowerCable 240V, C-Europe
1.2	DA-56PAA-EA	1	AS DS20E 6/667 512MB,Rack,UNIX
1.2.1	3R-VRQV5-24	1	COMPAQ V55 CLR MON,NH,TCO95
1.2.2	3X-BA611-4D	1	Disk Cage for DS20E, 4x disk
1.2.2.1	3R-A0585-AA	4	18.2GB Uscsi3 10k Universal disk
1.2.3	3X-BC56C-2F	1	DS20E SCSI Cable Kit
1.2.4	3X-DEFFA-DC	1	PCI to FDDI DAS MMF with SC,Universal
1.2.5	3X-KZPCA-AA	1	Single channel LVD adapter
1.2.6	FR-H7910-AA	1	Third power supply for DS20E
1.2.7	KN311-BB	1	AS DS20E 6/667 SMP UPG UNIX
1.2.8	KZPBA-CA	2	PCI to UltraSCSI Adapter PWSE
1.2.9	KZPCM-DA	1	Dual Uscsi with FastEther PCI
1.2.10	MS340-CA	1	DS20 256MB SDIMM MEM 4x64MB
1.2.11	MS340-DA	1	DS20 512MB SDIMM MEM 4x128MB
1.2.12	SN-PBXGK-BB	1	Elsa Gloria Synergy 8M Video Graphics
1.2.13	TLZ10-LB	1	12/24GB 4mm DAT 5.25" HH
2	DS-BA356-KF	1	Pedestal Storage, UltraW, Single-Bus
2.1	BN19C-2E	2	PowerCable 240V, C-Europe
2.2	BN38C-02	1	Ultra Cbl VHDCI - 68HD
2.3	CK-BA35X-HH	1	180W Stor.Shelf PWR for AS4x00
2.4	DS-RZ1ED-VW	6	18.2GB 10000r UltraSCSI disk
3	DS-BA356-KF	1	Pedestal Storage, UltraW, Single-Bus
3.1	BN19C-2E	2	PowerCable 240V, C-Europe
3.2	BN38C-02	1	Ultra Cbl VHDCI - 68HD
3.3	CK-BA35X-HH	1	180W Stor.Shelf PWR for AS4x00
3.4	DS-RZ1ED-VW	6	18.2GB 10000r UltraSCSI disk
4	DS-TZ89N-TA	1	35/70GB SE DLT-tape TT FWSE
5	BN39C-02	1	1.8 Video Extension Cable ****
6	SN-LKQ47-AF	1	102 KEY KYBD, NON-WIN, Finnish
7	BN19C-2E	2	PowerCable 240V, C-Europe
8	BN38C-02	1	Ultra Cbl VHDCI - 68HD

TZ89N
DLT
35/70GB
BN19C-2E
BN38C-02

2x BA356



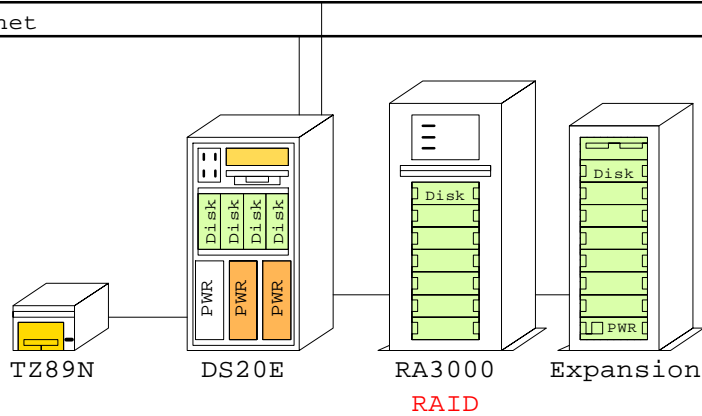
COMPAQ 22-Aug-2000 GTAUDS20E5
Matti.Patari@compaq.com

AlphaServer DS20E UNIX System
GOLDEN EGGS Visuals, Helsinki

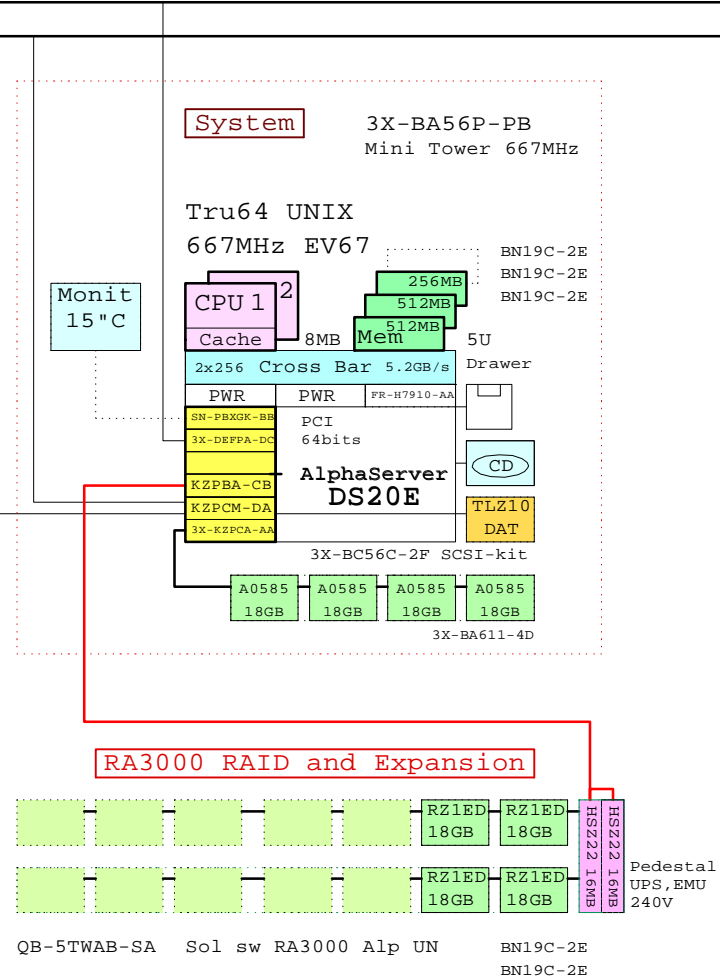
DS20E expanded Tru64 UNIX RAID system

FDDI

Ethernet



SN-LKQ47-AF
BN39C-02, Video
BN19C-2E



Bill of material

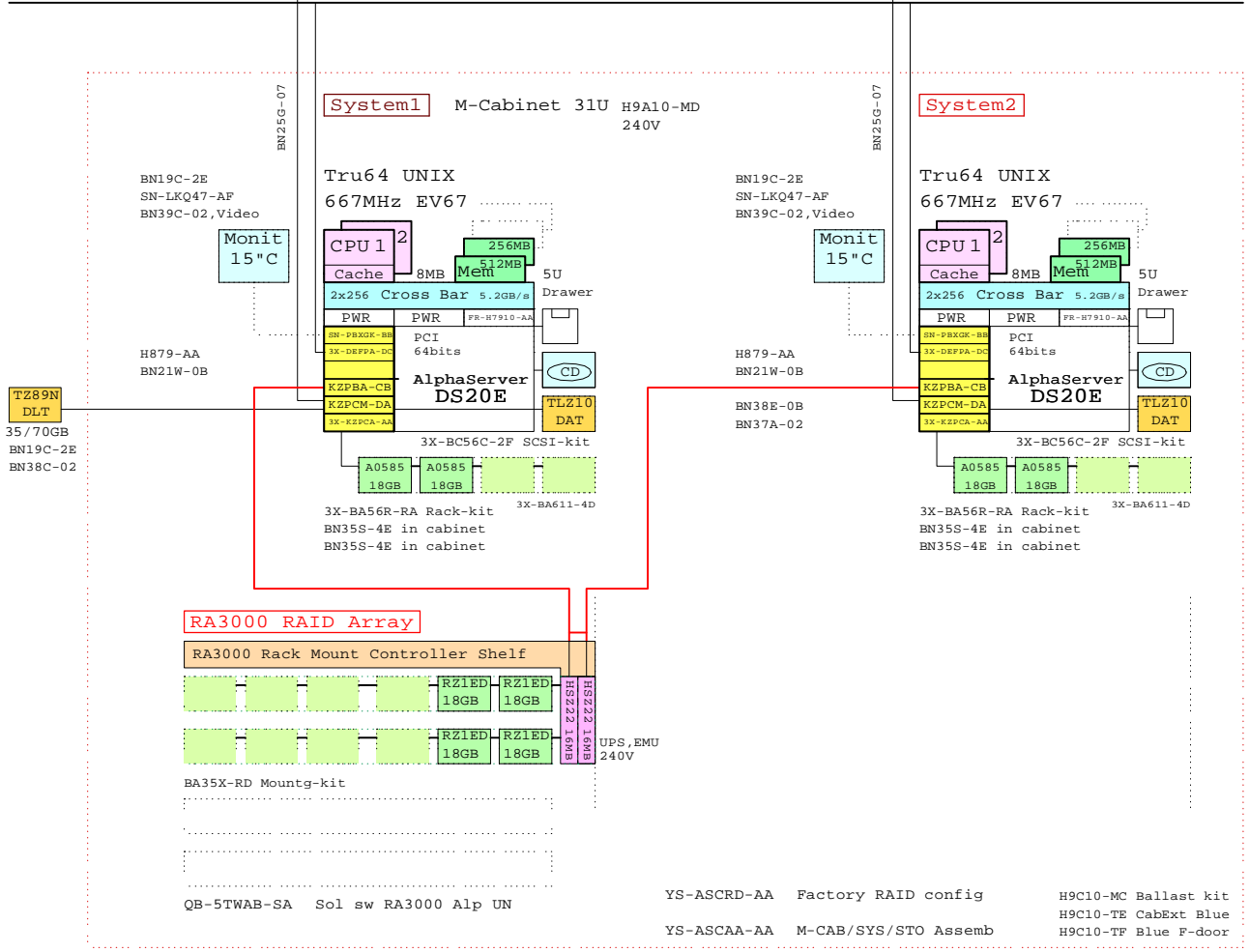
	Part Number	Qty	Description
1	3X-BA56P-PB	1	DS20E Mini tower pedestal kit,667MHz
1.1	BN19C-2E	3	PowerCable 240V, C-Europe
1.2	DA-56PAA-EA	1	AS DS20E 6/667 512MB,Rack,UNIX
1.2.1	3R-VROV5-24	1	COMPAQ V55 CLR MON,NH,TCO95
1.2.2	3X-BA611-4D	1	Disk Cage for DS20E, 4x disk
1.2.2.1	3R-A0585-AA	4	18.2GB Uscsi3 10k Universal disk
1.2.3	3X-BC56C-2F	1	DS20E SCSI Cable Kit
1.2.4	3X-DEFFA-DC	1	PCI to FDDI DAS MMF with SC,Universal
1.2.5	3X-KZPPA-AA	1	Single channel LVD adapter
1.2.6	FR-H7910-AA	1	Third power supply for DS20E
1.2.7	KN311-BB	1	AS DS20E 6/667 SMP UPG UNIX
1.2.8	KZPBA-CB	1	PCI to UltraSCSI Adapter UWdif
1.2.9	KZPCM-DA	1	Dual Uscsi with FastEther PCI
1.2.10	MS340-CA	1	DS20 256MB SDIMM MEM 4x64MB
1.2.11	MS340-DA	1	DS20 512MB SDIMM MEM 4x128MB
1.2.12	SN-PBXGK-BB	1	Elsa Gloria Synergy 8M Video Graphics
1.2.13	TLZ10-LB	1	12/24GB 4mm DAT 5.25" HH
2	DS-SWXRA-GC	1	RA3000 Pedestal one HSZ22 240V
2.1	DS-HSZ22-AA	1	HSZ22 controller 16MB
2.2	DS-RZ1ED-VW	2	18.2GB 10000r UltraSCSI disk
2.3	DS-SWXRA-GD	1	RA3000 Pedestal Expans 120/240
2.3.1	DS-RZ1ED-VW	2	18.2GB 10000r UltraSCSI disk
3	QB-5TWAB-SA	1	Sol sw RA3000 Alp UNIX
4	DS-TZ89N-TA	1	35/70GB SE DLT-tape TT FWSE
5	BN39C-02	1	1.8 Video Extension Cable ****
6	SN-LKQ47-AF	1	102 KEY KYBD,NON-WIN, Finnish
7	BN19C-2E	4	PowerCable 240V, C-Europe
8	BN38C-02	1	Ultra Cbl VHDCI - 68HD

COMPAQ	22-Aug-2000	GTAUDS20E6
	Matti.Patari@compaq.com	
AlphaServer DS20E UNIX RAID		
GOLDEN EGGS Visuals, Helsinki		

DS20E UNIX Cluster with in-cabinet RA3000 RAID storage

Ethernet

FDDI



BOM for this cabinet system

Part Number	Qty	Description
1	H9A10-MD	1 M-Series Cab,H9A10,Blue,240V 31U
1.1	3X-BA56R-RA	2 Rack mount kit, DS20E, for M-series
1.2	BA35X-RD	1 Mounting kit, metric
1.3	BN19C-2E	2 PowerCable 240V, C-Europe
1.4	BN21W-0B	2 Y SCSI-2 Cable 68 pins/6' .15m
1.5	BN25G-07	2 17-03212-05 8MP-8MP PATCH CBL
1.6	BN35S-4E	4 PowerCord C13 to C14, Non US
1.7	BN37A-02	1 Ultra Cbl VHDCI - VHDCI
1.8	BN38E-0B	1 Ultra Cbl VHDCI - 68HD
1.9	BN39C-02	2 1.8 Video Extension Cable ****
1.10	DA-56PAA-EA	1 AS DS20E 6/667 512MB,Rack,UNIX
1.10.1	3R-VRQV5-24	1 COMPAQ V55 CLR MON,NH,TCO95
1.10.2	3X-BA611-4D	1 Disk Cage for DS20E, 4x disk
1.10.2.1	3R-A0585-AA	2 18.2GB Uscsi3 10k Universal disk
1.10.3	3X-BC56C-2F	1 DS20E Scsi Cable Kit
1.10.4	3X-DEPFA-DC	1 PCI to FDDI DAS MMF with SC,Universal
1.10.5	3X-KZPCA-AA	1 Single channel LVD adapter
1.10.6	FR-H7910-AA	1 Third power supply for DS20E
1.10.7	KN311-BB	1 AS DS20E 6/667 SMP UPG UNIX
1.10.8	KZPBA-CB	1 PCI to UltraSCSI Adapter UWdif
1.10.9	KZPCM-DA	1 Dual Uscsi with FastEther PCI
1.10.10	MS340-CA	1 DS20 256MB SDIMM MEM 4x64MB
1.10.11	SN-PBXGK-BB	1 Elsa Gloria Synergy 8M Video Graphics
1.10.12	TLZ10-LB	1 12/24GB 4mm DAT 5.25" HH
1.11	DA-56PAA-EA	1 AS DS20E 6/667 512MB,Rack,UNIX
1.11.1	3R-VRQV5-24	1 COMPAQ V55 CLR MON,NH,TCO95
1.11.2	3X-BA611-4D	1 Disk Cage for DS20E, 4x disk
1.11.2.1	3R-A0585-AA	2 18.2GB Uscsi3 10k Universal disk
1.11.3	3X-BC56C-2F	1 DS20E Scsi Cable Kit
1.11.4	3X-DEPFA-DC	1 PCI to FDDI DAS MMF with SC,Universal
1.11.5	3X-KZPCA-AA	1 Single channel LVD adapter
1.11.6	FR-H7910-AA	1 Third power supply for DS20E
1.11.7	KN311-BB	1 AS DS20E 6/667 SMP UPG UNIX
1.11.8	KZPBA-CB	1 PCI to UltraSCSI Adapter UWdif
1.11.9	KZPCM-DA	1 Dual Uscsi with FastEther PCI
1.11.10	MS340-CA	1 DS20 256MB SDIMM MEM 4x64MB
1.11.11	SN-PBXGK-BB	1 Elsa Gloria Synergy 8M Video Graphics
1.11.12	TLZ10-LB	1 12/24GB 4mm DAT 5.25" HH
1.12	DS-SWXRA-GK	1 RA3000 Rackmount one HSZ22 240V
1.12.1	DS-HSZ22-AA	1 HSZ22 controller 16MB
1.12.2	DS-SWXRA-GN	1 RA3000 Rackmount Expan 120/240
1.12.2.1	DS-RZ1ED-VW	2 18.2GB 10000r UltraSCSI disk
1.12.3	DS-SWXRA-GN	1 RA3000 Rackmount Expan 120/240
1.12.3.1	DS-RZ1ED-VW	2 18.2GB 10000r UltraSCSI disk
1.13	H879-AA	2 SCSI-3 Term - 68 pin Male
1.14	H9C10-MC	1 Ballast Kit for cabinets
1.15	H9C10-TE	1 Rear cab extender for H9A10 Blue
1.16	H9C10-TF	1 FrontDoorKit Blue for H9A10
1.17	QB-5TWAB-SA	1 Sol sw RA3000 Alp UNIX
1.18	SN-LKQ47-AF	2 102 KEY KYBD, NON-WIN, Finnish
1.19	YS-ASCAA-AA	1 M-CAB/SYS/STO Assembly
1.20	YS-ASCRD-AA	1 Factory configured RAID sets of BA370
2	DS-TZ89N-TA	1 35/70GB SE DLT-tape TT FWSE
3	BN19C-2E	1 PowerCable 240V, C-Europe
4	BN38C-02	1 Ultra Cbl VHDCI - 68HD

COMPAQ 22-Aug-2000 GTAUDS20E7
Mattt.Patari@Compaq.com

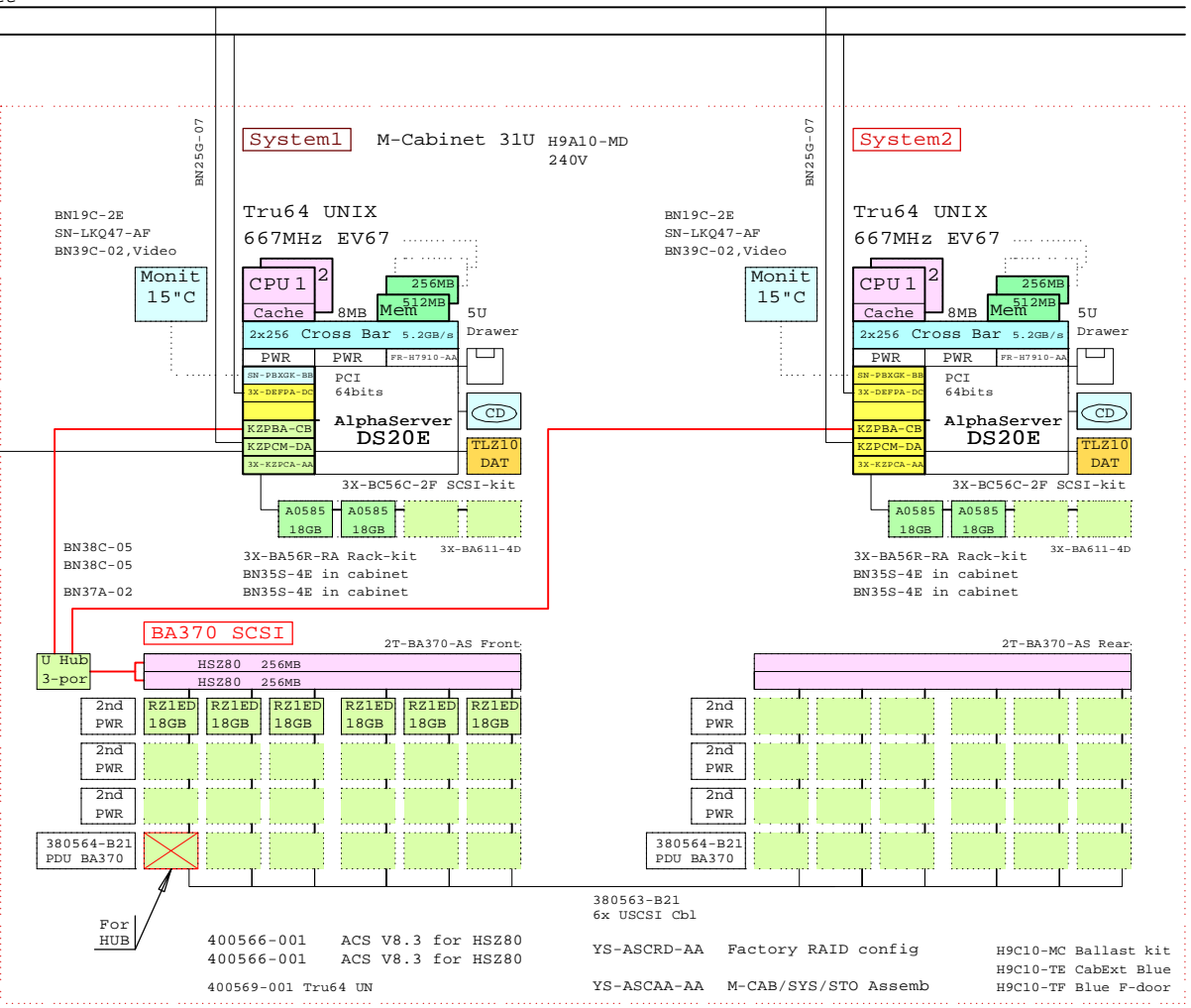
AlphaServer DS20E UNIX Cluster
GOLDEN EGGS Visuals, Helsinki

This template is included in the present GOLDEN EGGS Software kit.

DS20E UNIX

DS20E UNIX Cluster with in-cabinet RAID storage

Ethernet
FDDI



BOM for this cabinet system

Part Number	Qty	Description
1		H9A10-MD 1 M-Series Cab,H9A10,Blue,240V 31U
1.1		2T-BA370-AR 1 BA370 shelf,slides Rear RackMount
1.1.1		380564-B21 1 Power Distribution Unit RA8k/7k
1.1.2		380565-B21 3 Power Supply 180W Hot Plug SBB
1.2		2T-BA370-AS 1 BA370 shelf,slides Front RackMount
1.2.1		380564-B21 1 Power Distribution Unit RA8k/7k
1.2.2		380565-B21 3 Power Supply 180W Hot Plug SBB
1.2.3		400565-B21 2 Ultra Opt-1 cont w 2x128MB cache HS280
1.2.4		DS-DWZZH-03 1 Uscsi Act hub 0 SE:3/Dif 3.5" SBB
1.2.5		DS-RZ1ED-VW 6 18.2GB 10000r UltraSCSI disk
1.3		380563-B21 1 Set of six USCSI cables
1.4		3X-BA56R-RA 2 Rack mount kit, DS20E, for M-series
1.5		400566-001 2 HSZ80 Controller Software ACS V8.3
1.6		400569-001 1 Ultra opt OS Software Tru64 UNIX
1.7		BN19C-2E 2 PowerCable 240V, C-Europe
1.8		BN25G-07 2 17-03212-05 8MP-8MP PATCH CBL
1.9		BN35S-4E 4 PowerCord CL3 to CL4, Non US
1.10		BN37A-02 1 Ultra Cbl VHDCI - VHDCI
1.11		BN39C-05 2 Ultra Cbl VHDCI - 6BHD
1.12		BN39C-02 2 1.8 Video Extension Cable ****
1.13		DA-56PAA-EA 1 AS DS20E 6/667 512MB,Rack,UNIX
1.13.1		3R-VRQV5-24 1 COMPAQ V55 CLR MON,NH,TCO95
1.13.2		3X-BA611-4D 1 Disk Cage for DS20E, 4x disk
1.13.2.1		3R-A0585-AA 2 18.2GB Uscsi3 10k Universal disk
1.13.3		3X-BC56C-2F 1 DS20E SCSI Cable Kit
1.13.4		3X-DEFFA-DC 1 PCI to FDDI DAS MMF with SC,Universal
1.13.5		3X-KZPCA-AA 1 Single channel LVD adapter
1.13.6		FR-H7910-AA 1 Third power supply for DS20E
1.13.7		KN311-BB 1 AS DS20E 6/667 SMP UPG UNIX
1.13.8		KZPBA-CB 1 PCI to UltraSCSI Adapter Uwdif
1.13.9		KZPCM-DA 1 Dual Uscsi with FastEther PCI
1.13.10		MS340-CA 1 DS20 256MB SDIMM MEM 4x64MB
1.13.11		SN-PBXGK-BB 1 Elsa Gloria Synergy 8M Video Graphics
1.13.12		TLZ10-LB 1 12/24GB 4mm DAT 5.25" HH
1.14		DA-56PAA-EA 1 AS DS20E 6/667 512MB,Rack,UNIX
1.14.1		3R-VRQV5-24 1 COMPAQ V55 CLR MON,NH,TCO95
1.14.2		3X-BA611-4D 1 Disk Cage for DS20E, 4x disk
1.14.2.1		3R-A0585-AA 2 18.2GB Uscsi3 10k Universal disk
1.14.3		3X-BC56C-2F 1 DS20E SCSI Cable Kit
1.14.4		3X-DEFFA-DC 1 PCI to FDDI DAS MMF with SC,Universal
1.14.5		3X-KZPCA-AA 1 Single channel LVD adapter
1.14.6		FR-H7910-AA 1 Third power supply for DS20E
1.14.7		KN311-BB 1 AS DS20E 6/667 SMP UPG UNIX
1.14.8		KZPBA-CB 1 PCI to UltraSCSI Adapter Uwdif
1.14.9		KZPCM-DA 1 Dual Uscsi with FastEther PCI
1.14.10		MS340-CA 1 DS20 256MB SDIMM MEM 4x64MB
1.14.11		SN-PBXGK-BB 1 Elsa Gloria Synergy 8M Video Graphics
1.14.12		TLZ10-LB 1 12/24GB 4mm DAT 5.25" HH
1.15		H9C10-MC 1 Ballast Kit for cabinets
1.16		H9C10-TE 1 Rear cab extender for H9A10 Blue
1.17		H9C10-TF 1 FrontDoorKit Blue for H9A10
1.18		SN-LKQ47-AF 2 102 KEY KYBD, NON-WIN, Finnish
1.19		YS-ASCAA-AA 1 M-CAB/SYS/STO Assembly
1.20		YS-ASCRD-AA 1 Factory configured RAID sets of BA370
2		DS-TZ89N-TA 1 35/70GB SE DLT-tape TT FWSE
3		BN19C-2E 1 PowerCable 240V, C-Europe
4		BN38C-02 1 Ultra Cbl VHDCI - 68HD

COMPAQ 22-Aug-2000 GTAUDS20E8
Matti.Patari@Compaq.com

AlphaServer DS20E UNIX Cluster
GOLDEN EGGS Visuals, Helsinki

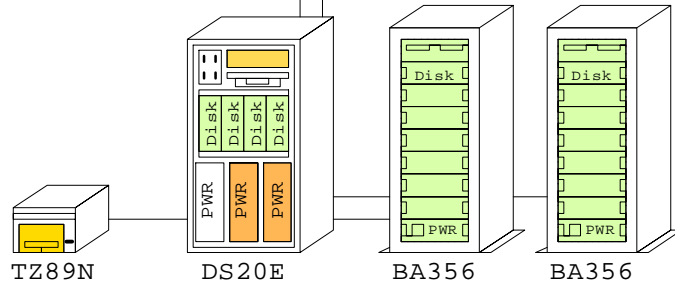
This template is included in the present GOLDEN EGGS Software kit.

DS20E UNIX

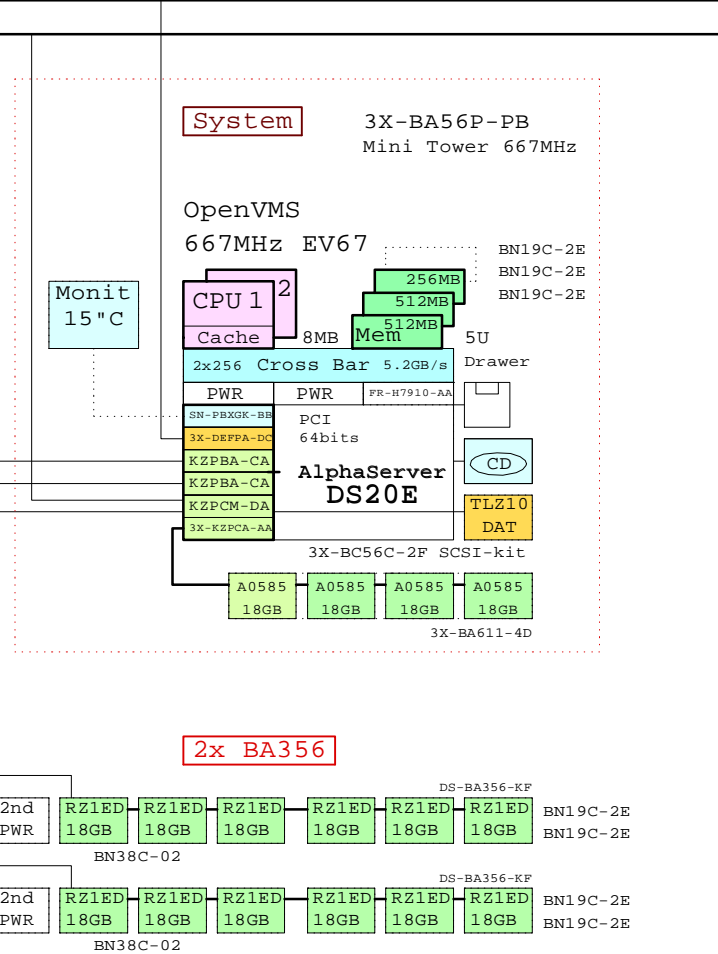
DS20E expanded OpenVMS system

FDDI

Ethernet



LK461-AF
BN39C-02, Video
BN19C-2E



Bill of material

	Part Number	Qty	Description
1	3X-BA56P-PB	1	DS20E Mini tower pedestal kit,667MHz
1.1	BN19C-2E	3	PowerCable 240V, C-Europe
1.2	DY-56PAA-EA	1	AS DS20E 6/667 512MB,Rack,OVMS
1.2.1	3R-VRQV5-24	1	COMPAQ V55 CLR MON,NH,TC095
1.2.2	3X-BA611-4D	1	Disk Cage for DS20E, 4x disk
1.2.2.1	3R-A0585-AA	4	18.2GB Uscsi3 10k Universal disk
1.2.3	3X-BC56C-2F	1	DS20E SCSI Cable Kit
1.2.4	3X-DEFFA-DC	1	PCI to FDDI DAS MMF with SC,Universal
1.2.5	3X-KZFCA-AA	1	Single channel LVD adapter
1.2.6	FR-H7910-AA	1	Third power supply for DS20E
1.2.7	KN311-BC	1	AS DS20E 6/667 SMP UPG OpenVMS
1.2.8	KZPBA-CA	2	PCI to UltraSCSI Adapter UWSE
1.2.9	KZPCM-DA	1	Dual Uscsi with FastEther PCI
1.2.10	MS340-CA	1	DS20 256MB SDIMM MEM 4x64MB
1.2.11	MS340-DA	1	DS20 512MB SDIMM MEM 4x128MB
1.2.12	SN-PBXGK-BB	1	Elsa Gloria Synergy 8M Video Graphics
1.2.13	TLZ10-LB	1	12/24GB 4mm DAT 5.25" HH
2	DS-BA356-KF	1	Pedestal Storage, UltraW, Single-Bus
2.1	BN19C-2E	2	PowerCable 240V, C-Europe
2.2	BN38C-02	1	Ultra Cbl VHDCI - 68HD
2.3	CK-BA35X-HH	1	180W Stor.Shelf PWR for AS4x00
2.4	DS-RZ1ED-VW	6	18.2GB 10000r UltraSCSI disk
3	DS-BA356-KF	1	Pedestal Storage, UltraW, Single-Bus
3.1	BN19C-2E	2	PowerCable 240V, C-Europe
3.2	BN38C-02	1	Ultra Cbl VHDCI - 68HD
3.3	CK-BA35X-HH	1	180W Stor.Shelf PWR for AS4x00
3.4	DS-RZ1ED-VW	6	18.2GB 10000r UltraSCSI disk
4	DS-TZ89N-TA	1	35/70GB SE DLT-tape TT FWSE
5	BN39C-02	1	1.8 Video Extension Cable ****
6	BN19C-2E	2	PowerCable 240V, C-Europe
7	BN38C-02	1	Ultra Cbl VHDCI - 68HD
8	LK461-AF	1	VMS STYLE KEYBOARD, Fin/Swed



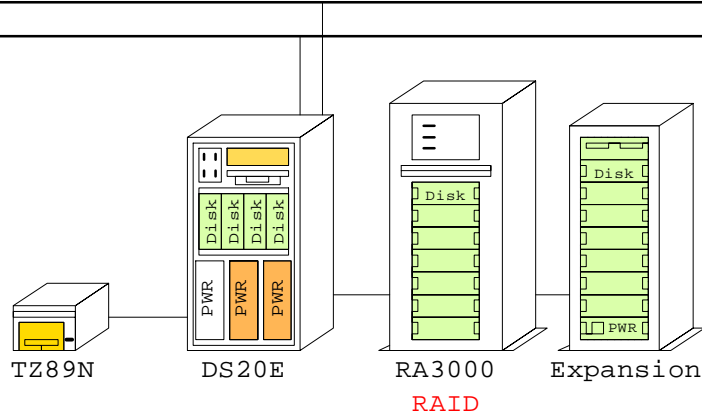
22-Aug-2000 GTAVDS20E5
Matti.Patari@compaq.com

AlphaServer DS20E OpenVMS Syst
GOLDEN EGGS Visuals, Helsinki

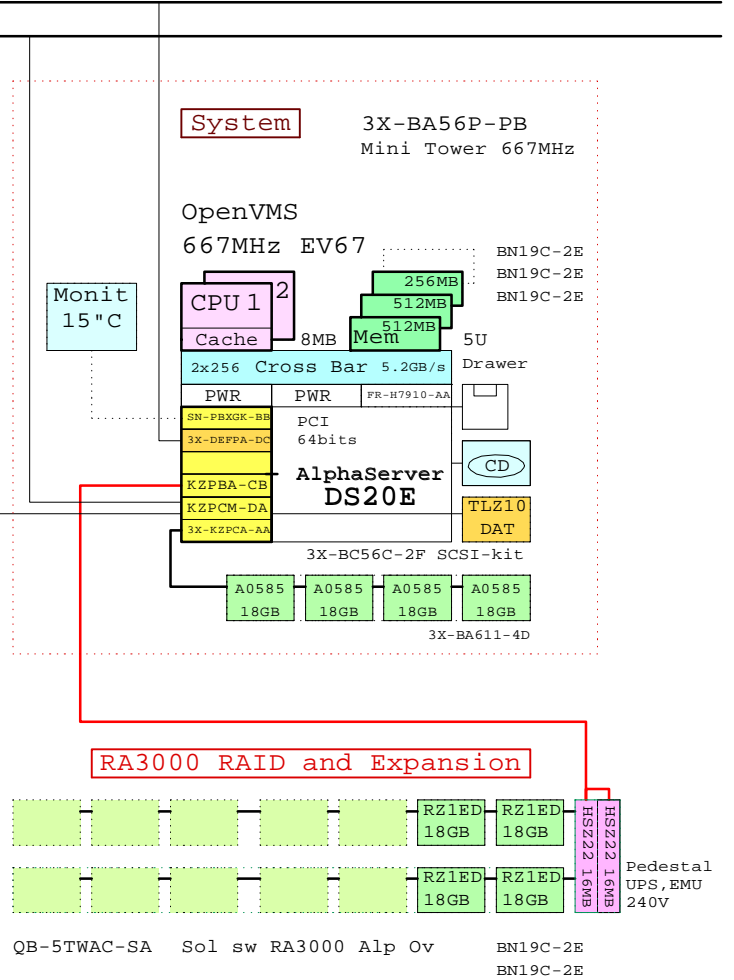
DS20E expanded OpenVMS RAID system

FDDI

Ethernet



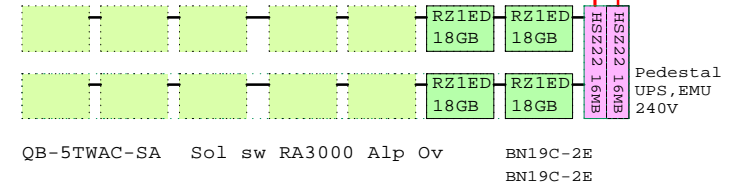
LK461-AF
BN39C-02, Video
BN19C-2E



Bill of material

	Part Number	Qty	Description
1	3X-BA56P-PB	1	DS20E Mini tower pedestal kit,667MHz
1.1	BN19C-2E	3	PowerCable 240V, C-Europe
1.2	DY-56PAA-EA	1	AS DS20E 6/667 512MB,Rack,OVMS
1.2.1	3R-VRQV5-24	1	COMPAQ V55 CLR MON,NH,TCO95
1.2.2	3X-BA611-4D	1	Disk Cage for DS20E, 4x disk
1.2.2.1	3R-A0585-AA	4	18.2GB Uscsi3 10k Universal disk
1.2.3	3X-BC56C-2F	1	DS20E SCSI Cable Kit
1.2.4	3X-DEFFA-DC	1	PCI to FDDI DAS MMF with SC,Universal
1.2.5	3X-KZPCA-AA	1	Single channel LVD adapter
1.2.6	FR-H7910-AA	1	Third power supply for DS20E
1.2.7	KN311-BC	1	AS DS20E 6/667 SMP UPG OpenVMS
1.2.8	KZPBA-CB	1	PCI to UltraSCSI Adapter UWdif
1.2.9	KZPCM-DA	1	Dual Uscsi with FastEther PCI
1.2.10	MS340-CA	1	DS20 256MB SDIMM MEM 4x64MB
1.2.11	MS340-DA	1	DS20 512MB SDIMM MEM 4x128MB
1.2.12	SN-PBXGK-BB	1	Elsa Gloria Synergy 8M Video Graphics
1.2.13	TLZ10-LB	1	12/24GB 4mm DAT 5.25" HH
2	DS-SWXRA-GC	1	RA3000 Pedestal one HSZ22 240V
2.1	DS-HSZ22-AA	1	HSZ22 controller 16MB
2.2	DS-RZ1ED-VW	2	18.2GB 10000r UltraSCSI disk
2.3	DS-SWXRA-GD	1	RA3000 Pedestal Expans 120/240
2.3.1	DS-RZ1ED-VW	2	18.2GB 10000r UltraSCSI disk
3	QB-5TWAC-SA	1	Sol sw RA3000 Alp Ovms
4	DS-TZ89N-TA	1	35/70GB SE DLT-tape TT FWSE
5	BN39C-02	1	1.8 Video Extension Cable ****
6	BN19C-2E	4	PowerCable 240V, C-Europe
7	BN38C-02	1	Ultra Cbl VHDCI - 68HD
8	LK461-AF	1	VMS STYLE KEYBOARD, Fin/Swed

RA3000 RAID and Expansion

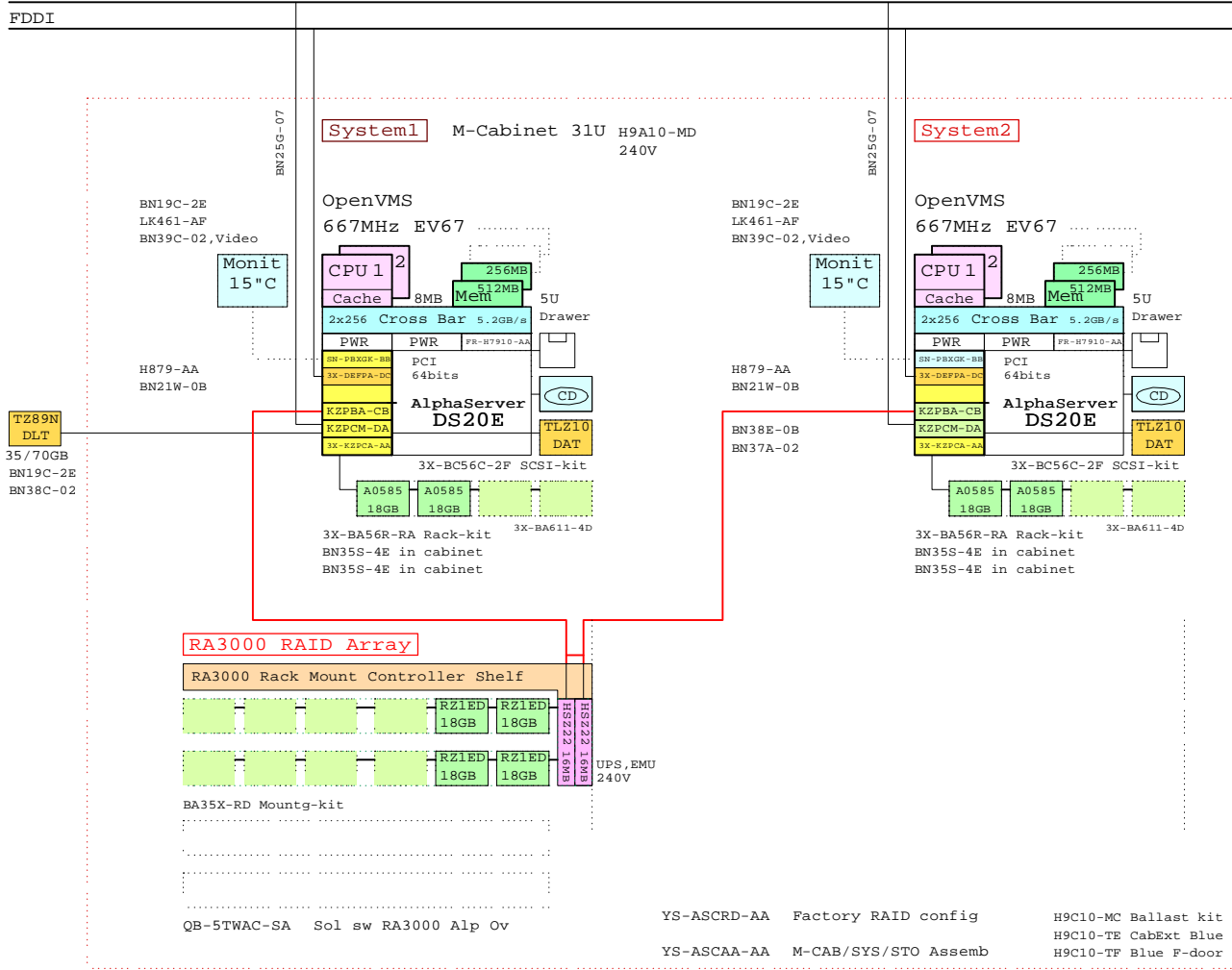


COMPAQ	22-Aug-2000	GTAVDS20E6
	Matti.Patari@compaq.com	
AlphaServer DS20E OpenVMS RAID		
GOLDEN EGGS Visuals, Helsinki		

DS20E OpenVMS Cluster with in-cabinet RA3000 RAID storage

Ethernet

FDDI



BOM for this cabinet system

	Part Number	Qty	Description
1	H9A10-MD	1	M-Series Cab,H9A10,Blue,240V 31U
1.1	3X-BA56R-RA	2	Rack mount kit, DS20E, for M-series
1.2	BA35X-RD	1	Mounting kit, metric
1.3	BN19C-2E	2	PowerCable 240V, C-Europe
1.4	BN21W-0B	2	Y SCSI-2 cable 68 pins/6' .15m
1.5	BN25G-07	2	17-03212-05 8MP-8MP PATCH CBL
1.6	BN35S-4E	4	PowerCord C13 to C14, Non US
1.7	BN37A-02	1	Ultra Cbl VHDCI - VHDCI
1.8	BN38E-0B	1	Ultra Cbl VHDCI - 68HD
1.9	BN39C-02	2	1.8 Video Extension Cable ****
1.10	DS-SWXRA-GK	1	RA3000 Rackmount one HSZ22 240V
1.10.1	DS-HSZ22-AA	1	HSZ22 controller 16MB
1.10.2	DS-SWXRA-GN	1	RA3000 Rackmount Expan L20/240
1.10.2.1	DS-RZ1ED-VW	2	18.2GB 10000r UltraSCSI disk
1.10.3	DS-SWXRA-GN	1	RA3000 Rackmount Expan L20/240
1.10.3.1	DS-RZ1ED-VW	2	18.2GB 10000r UltraSCSI disk
1.11	DY-56PAA-EA	1	AS DS20E 6/667 512MB Rack_OVMS
1.11.1	3R-VROV5-24	1	COMPAQ V55 CLR MON,NH,TCO95
1.11.2	3X-BA611-4D	1	Disk Cage for DS20E, 4x disk
1.11.2.1	3R-A0585-AA	2	18.2GB Uscsi3 10k Universal disk
1.11.3	3X-BC56C-2F	1	DS20E SCSI Cable Kit
1.11.4	3X-DEFPA-DC	1	PCI to FDDI DAS MMF with SC,Universal
1.11.5	3X-KZPCA-AA	1	Single channel LVD adapter
1.11.6	FR-H7910-AA	1	Third power supply for DS20E
1.11.7	KN311-BC	1	AS DS20E 6/667 SMP UPG OpenVMS
1.11.8	KZPBA-CB	1	PCI to UltraSCSI Adapter Uwdif
1.11.9	KZPCM-DA	1	Dual Uscsi with FastEther PCI
1.11.10	MS340-CA	1	DS20 256MB SDIMM MEM 4x64MB
1.11.11	SN-PBXGK-BB	1	Elsa Gloria Synergy 8M Video Graphics
1.11.12	TLZ10-LB	1	12/24GB 4mm DAT 5.25" HH
1.12	DY-56PAA-EA	1	AS DS20E 6/667 512MB Rack_OVMS
1.12.1	3R-VROV5-24	1	COMPAQ V55 CLR MON,NH,TCO95
1.12.2	3X-BA611-4D	1	Disk Cage for DS20E, 4x disk
1.12.2.1	3R-A0585-AA	2	18.2GB Uscsi3 10k Universal disk
1.12.3	3X-BC56C-2F	1	DS20E SCSI Cable Kit
1.12.4	3X-DEFPA-DC	1	PCI to FDDI DAS MMF with SC,Universal
1.12.5	3X-KZPCA-AA	1	Single channel LVD adapter
1.12.6	FR-H7910-AA	1	Third power supply for DS20E
1.12.7	KN311-BC	1	AS DS20E 6/667 SMP UPG OpenVMS
1.12.8	KZPBA-CB	1	PCI to UltraSCSI Adapter Uwdif
1.12.9	KZPCM-DA	1	Dual Uscsi with FastEther PCI
1.12.10	MS340-CA	1	DS20 256MB SDIMM MEM 4x64MB
1.12.11	SN-PBXGK-BB	1	Elsa Gloria Synergy 8M Video Graphics
1.12.12	TLZ10-LB	1	12/24GB 4mm DAT 5.25" HH
1.13	H879-AA	2	SCSI-3 Term - 68 pin Male
1.14	H9C10-MC	1	Ballast Kit for cabinets
1.15	H9C10-TE	1	Rear cab extender for H9A10 Blue
1.16	H9C10-TF	1	FrontDoorKit Blue for H9A10
1.17	LK461-AF	2	VMS STYLE KEYBOARD, Fin/Swed
1.18	QB-5TWAC-SA	1	Sol sw RA3000 Alp Ovms
1.19	YS-ASCAA-AA	1	M-CAB/SYS/STO Assembly
1.20	YS-ASCRD-AA	1	Factory configured RAID sets of BA370
2	DS-TZ89N-TA	1	35/70GB SE DLT-tape TT FWSE
3	BN19C-2E	1	PowerCable 240V, C-Europe
4	BN38C-02	1	Ultra Cbl VHDCI - 68HD

This template is included in the present GOLDEN EGGS Software kit.

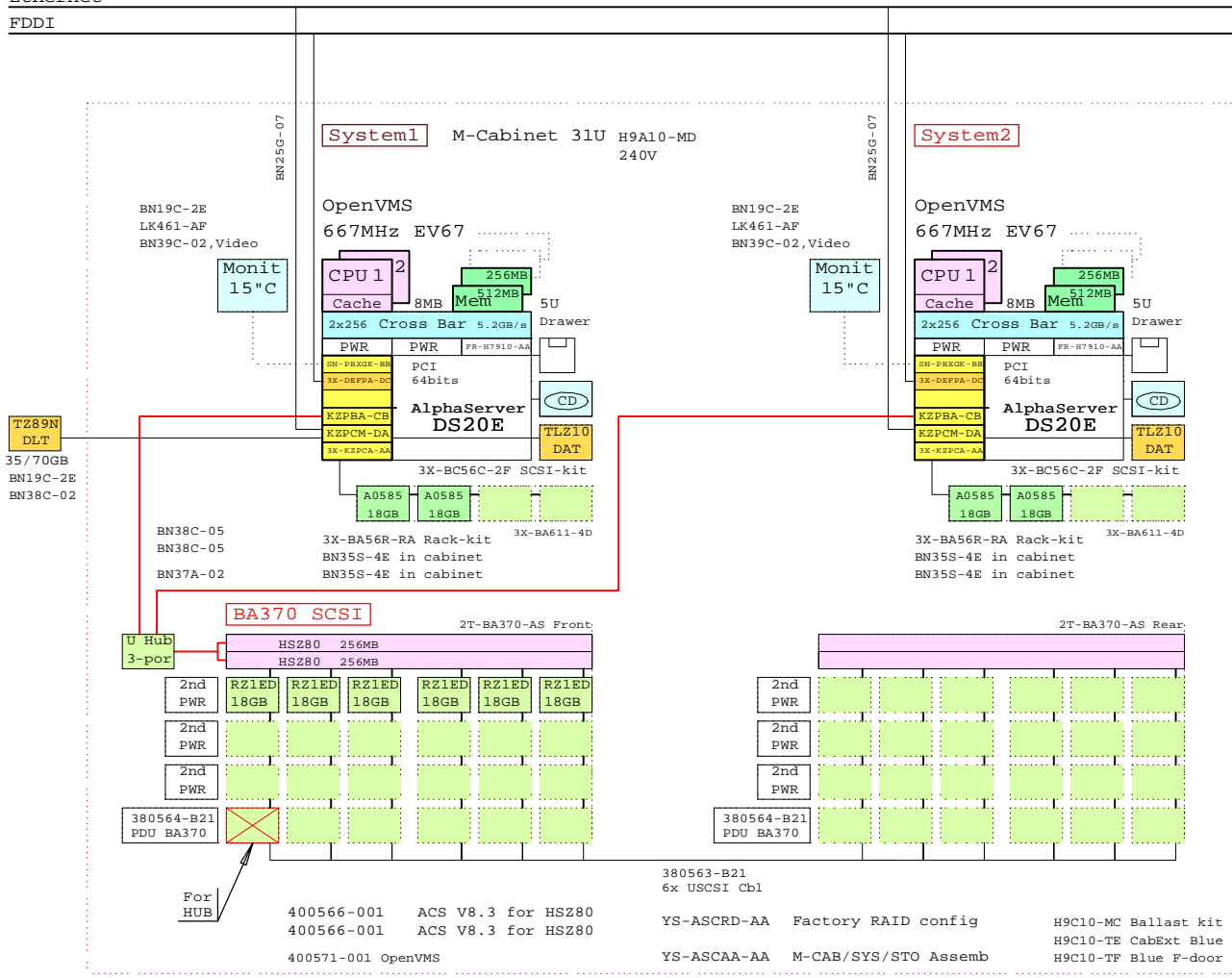
DS20E OVMS

COMPAQ	22-Aug-2000	GTAVDS20E7
	Matti.Patari@Compaq.com	
AlphaServer DS20E OVMS Cluster GOLDEN EGGS Visuals, Helsinki		

DS20E OpenVMS Cluster with in-cabinet RAID storage

Ethernet

FDDI



BOM for this cabinet system

Part Number	Qty	Description
1		H9A10-MD 1 M-Series Cab,H9A10,Blue,240V 31U
1.1		2T-BA370-AR 1 BA370 shelf,slides Rear RackMount
1.1.1		380564-B21 1 Power Distribution Unit RA8k/7k
1.1.2		380565-B21 3 Power Supply 180W Hot Plug SBB
1.2		2T-BA370-AS 1 BA370 shelf,slides Front RackMount
1.2.1		380564-B21 1 Power Distribution Unit RA8k/7k
1.2.2		380565-B21 3 Power Supply 180W Hot Plug SBB
1.2.3		400565-B21 2 Ultra Opt-1 cont w 2x128MB cache HSZ80
1.2.4		DS-DWZZH-03 1 Uscsi Act hub 0 SE:3/Dif 3.5" SBB
1.2.5		DS-RZ1ED-VW 6 18.2GB 10000r UltraSCSI disk
1.3		380563-B21 1 Set of six USCSI cables
1.4		3X-BA56R-RA 2 Rack mount kit, DS20E, for M-series
1.5		400566-001 2 HSZ80 Controller Software ACS V8.3
1.6		400571-001 1 Ultra opt OS Software OpenVMS
1.7		BN19C-2E 2 PowerCable 240V, C-Europe
1.8		BN25G-07 2 17-03212-05 8MP-8MP PATCH CBL
1.9		BN35S-4E 4 PowerCord CL3 to CL4, Non US
1.10		BN37A-02 1 Ultra Cbl VHDCI - VHDCI
1.11		BN39C-02 2 Ultra Cbl VHDCI - 6BHD
1.12		BN39C-02 2 1.8 Video Extension Cable ****
1.13		DY-56PAA-EA 1 AS DS20E 6/667 512MB,Rack_OVMS
1.13.1		3R-VRQV5-24 1 COMPAQ V55 CLR MON,NH,TC095
1.13.2		3X-BA611-4D 1 Disk Cage for DS20E, 4x disk
1.13.2.1		3R-A0585-AA 2 18.2GB Uscsi3 10k Universal disk
1.13.3		3X-BC56C-2F 1 DS20E SCSI Cable Kit
1.13.4		3X-DEFFA-DC 1 PCI to FDDI DAS MMF with SC,Universal
1.13.5		3X-KZPCA-AA 1 Single channel LVD adapter
1.13.6		FR-H7910-AA 1 Third power supply for DS20E
1.13.7		KN311-BC 1 AS DS20E 6/667 SMP UPG OpenVMS
1.13.8		KZPBA-CB 1 PCI to UltraSCSI Adapter Uwdif
1.13.9		KZPCM-DA 1 Dual Uscsi with FastEther PCI
1.13.10		MS340-CA 1 DS20 256MB SDIMM MEM 4x64MB
1.13.11		SN-PBXGK-BB 1 Elsa Gloria Synergy 8M Video Graphics
1.13.12		TLZ10-LB 1 12/24GB 4mm DAT 5.25" HH
1.14		DY-56PAA-EA 1 AS DS20E 6/667 512MB,Rack_OVMS
1.14.1		3R-VRQV5-24 1 COMPAQ V55 CLR MON,NH,TC095
1.14.2		3X-BA611-4D 1 Disk Cage for DS20E, 4x disk
1.14.2.1		3R-A0585-AA 2 18.2GB Uscsi3 10k Universal disk
1.14.3		3X-BC56C-2F 1 DS20E SCSI Cable Kit
1.14.4		3X-DEFFA-DC 1 PCI to FDDI DAS MMF with SC,Universal
1.14.5		3X-KZPCA-AA 1 Single channel LVD adapter
1.14.6		FR-H7910-AA 1 Third power supply for DS20E
1.14.7		KN311-BC 1 AS DS20E 6/667 SMP UPG OpenVMS
1.14.7		KZPBA-CB 1 PCI to UltraSCSI Adapter Uwdif
1.14.8		KZPCM-DA 1 Dual Uscsi with FastEther PCI
1.14.9		KZPCM-DA 1 Dual Uscsi with FastEther PCI
1.14.10		MS340-CA 1 DS20 256MB SDIMM MEM 4x64MB
1.14.11		SN-PBXGK-BB 1 Elsa Gloria Synergy 8M Video Graphics
1.14.12		TLZ10-LB 1 12/24GB 4mm DAT 5.25" HH
1.15		H9C10-MC 1 Ballast Kit for cabinets
1.16		H9C10-TE 1 Rear cab extender for H9A10 Blue
1.17		H9C10-TF 1 FrontDoorKit Blue for H9A10
1.18		LK461-AF 2 VMS STYLE KEYBOARD, Fin/Swed
1.19		YS-ASCAA-AA 1 M-CAB/SYS/STO Assembly
1.20		YS-ASCRD-AA 1 Factory configured RAID sets of BA370
2		DS-TZ89N-TA 1 35/70GB SE DLT-tape TT FWSE
3		BN19C-2E 1 PowerCable 240V, C-Europe
4		BN38C-02 1 Ultra Cbl VHDCI - 68HD

COMPAQ 22-Aug-2000 GTAUVS20E8
Matti.Patari@Compaq.com

AlphaServer DS20E OVMS Cluster
GOLDEN EGGS Visuals, Helsinki

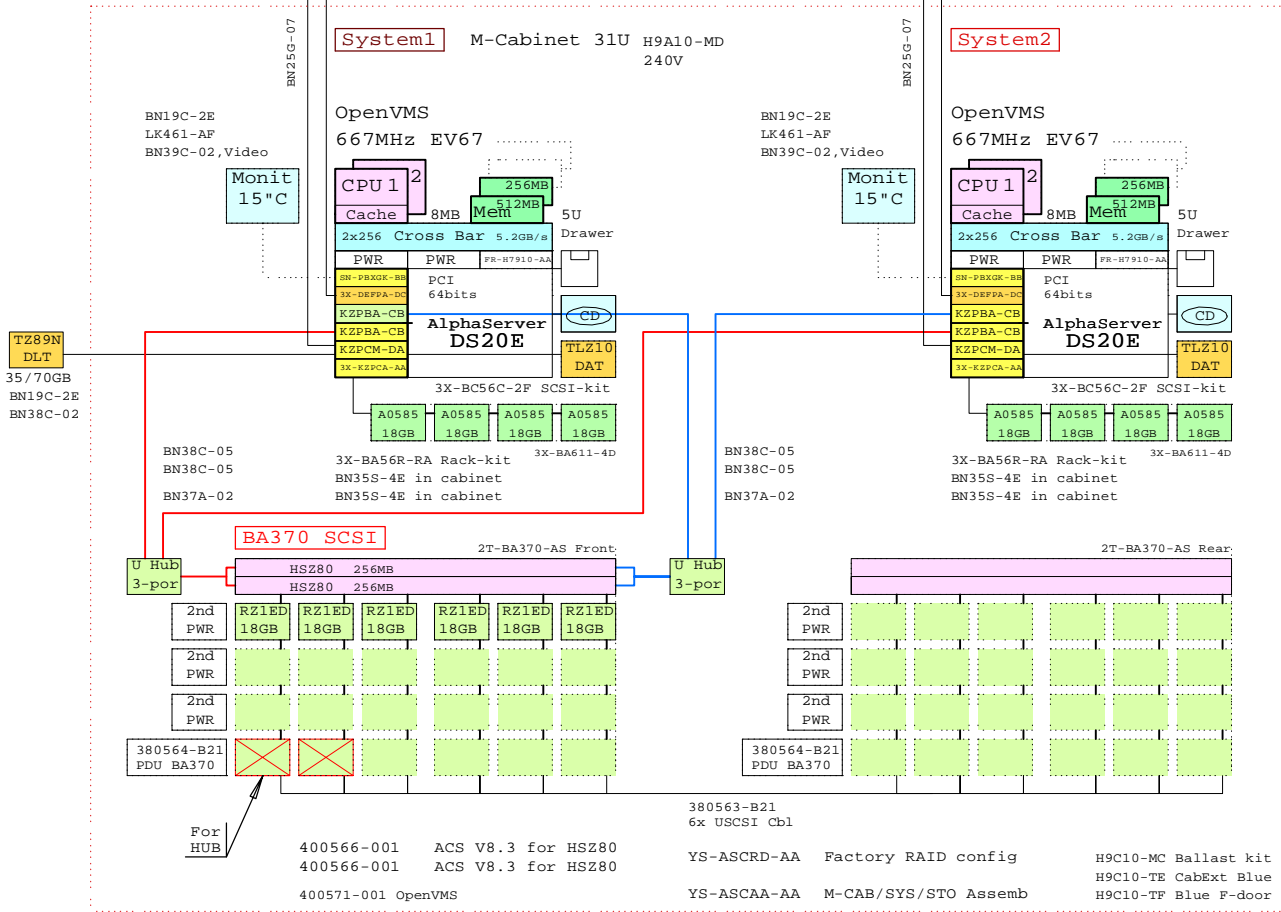
This template is included in the present GOLDEN EGGS Software kit.

DS20E OVMS

DS20E OpenVMS Cluster with in-cabinet RAID storage, NO single point!

Ethernet

FDDI



BOM for this cabinet system

Part Number	Qty	Description
1	H9A10-MD	1 M-Series Cab,H9A10,Blue,240V 31U
1.1	2T-BA370-AR	1 BA370 shelf,slides Rear RackMount
1.1.1	380564-B21	1 Power Distribution Unit RA8k/7k
1.1.2	380565-B21	3 Power Supply 180W Hot Plug SBB
1.2	2T-BA370-AS	1 BA370 shelf,slides Front RackMount
1.2.1	380564-B21	1 Power Distribution Unit RA8k/7k
1.2.2	380565-B21	3 Power Supply 180W Hot Plug SBB
1.2.3	400565-B21	2 Ultra Opt.1 cont w 2x128MB cache HSZ80
1.2.4	DS-DWZZH-03	1 Uscsi Act hub 0 SE:3/Dif 3.5" SBB
1.2.5	DS-RZ1ED-VW	6 18.2GB 10000r UltraSCSI disk
1.3	380563-B21	1 Set of six USCSI cables
1.4	3X-BA56R-RA	2 Rack mount kit, DS20E, for M-series
1.5	400566-001	2 HSZ80 Controller Software ACS V8.3
1.6	400571-001	1 Ultra opt OS Software OpenVMS
1.7	BN19C-2E	2 PowerCabl 240V, C-Europe
1.8	BN25G-07	2 17-03212-05 8MP-8MP PATCH CBL
1.9	BN35S-4E	4 PowerCord Cl3 to Cl4, Non US
1.10	BN37A-02	2 Ultra Cbl VHDCI - VHDCI
1.11	BN38C-05	4 Ultra Cbl VHDCI - 68HD
1.12	BN39C-02	2 1.8 Video Extension Cable ****
1.13	DS-DWZZH-03	1 Uscsi Act hub 0 SE:3/Dif 3.5" SBB
1.14	DY-56PAA-EA	1 AS DS20E 6/667 512MB,Rack_OVMS
1.14.1	3R-VRQV5-24	1 COMPAQ V55 CLR MON,NH,TCO95
1.14.2	3X-BA611-4D	1 Disk Cage for DS20E, 4x disk
1.14.2.1	3R-A0585-AA	4 18.2GB Uscsi3 10k Universal disk
1.14.3	3X-BC56C-2F	1 DS20E SCSI Cable Kit
1.14.4	3X-DEFFA-DC	1 PCI to FDDI DAS MMF with SC,Universal
1.14.5	3X-KZPCA-AA	1 Single channel LVD adapter
1.14.6	FR-H7910-AA	1 Third power supply for DS20E
1.14.7	KN311-BC	1 AS DS20E 6/667 SMP UPG OpenVMS
1.14.8	KZPBA-CB	2 PCI to UltraSCSI Adapter UWdif
1.14.9	KZPCB-DA	1 Dual Uscsi with FastEther PCI
1.14.10	MS340-CA	1 DS20 256MB SDIMM MEM 4x64MB
1.14.11	SN-PBXGK-BB	1 Elsa Gloria Synergy 8M Video Graphics
1.14.12	TLZ10-LB	1 12/24GB 4mm DAT 5.25" HH
1.15	DY-56PAA-EA	1 AS DS20E 6/667 512MB,Rack_OVMS
1.15.1	3R-VRQV5-24	1 COMPAQ V55 CLR MON,NH,TCO95
1.15.2	3X-BA611-4D	1 Disk Cage for DS20E, 4x disk
1.15.2.1	3R-A0585-AA	4 18.2GB Uscsi3 10k Universal disk
1.15.3	3X-BC56C-2F	1 DS20E SCSI Cable Kit
1.15.4	3X-DEFFA-DC	1 PCI to FDDI DAS MMF with SC,Universal
1.15.5	3X-KZPCA-AA	1 Single channel LVD adapter
1.15.6	FR-H7910-AA	1 Third power supply for DS20E
1.15.7	KN311-BC	1 AS DS20E 6/667 SMP UPG OpenVMS
1.15.8	KZPBA-CB	2 PCI to UltraSCSI Adapter UWdif
1.15.9	KZPCB-DA	1 Dual Uscsi with FastEther PCI
1.15.10	MS340-CA	1 DS20 256MB SDIMM MEM 4x64MB
1.15.11	SN-PBXGK-BB	1 Elsa Gloria Synergy 8M Video Graphics
1.15.12	TLZ10-LB	1 12/24GB 4mm DAT 5.25" HH
1.16	H9C10-MC	1 Ballast Kit for cabinets
1.17	H9C10-TE	1 Rear cab extender for H9A10 Blue
1.18	H9C10-TF	1 FrontDoorKit Blue for H9A10
1.19	LK461-AF	2 VMS STYLE KEYBOARD, Fin/Swed
1.20	YS-ASCAA-AA	1 M-CAB/SYS/STO Assembly
1.21	YS-ASCRD-AA	1 Factory configured RAID sets of BA370
2	DS-TZ89N-TA	1 35/70GB SE DLT-tape TT FWSE
3	BN19C-2E	1 PowerCable 240V, C-Europe
4	BN38C-02	1 Ultra Cbl VHDCI - 68HD

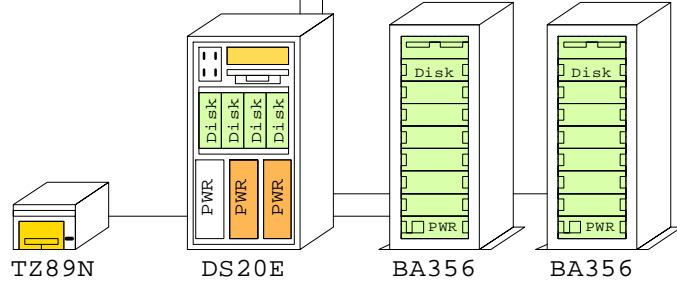
This template is included in the present GOLDEN EGGS Software kit.

DS20E OVMS

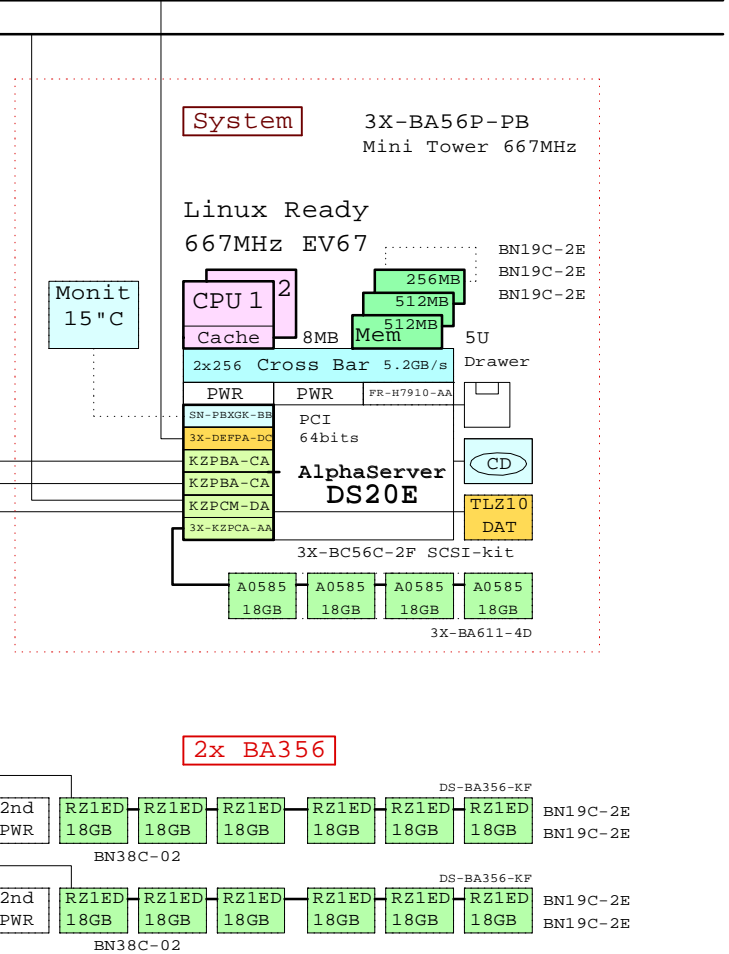
COMPAQ	22-Aug-2000	GTAUVS20E9
	Mattl.Patarie@Compaq.com	
AlphaServer DS20E OVMS Cluster		
GOLDEN EGGS Visuals, Helsinki		

FDDI
Ethernet

DS20E expanded Linux system



SN-LKQ47-AF
BN39C-02, Video
BN19C-2E



Bill of material

	Part Number	Qty	Description
1	3X-BA56P-PB	1	DS20E Mini tower pedestal kit,667MHz
1.1	BN19C-2E	3	PowerCable 240V, C-Europe
1.2	DJ-56PAA-EA	1	AS DS20E 6/667 512MB,Rack, Linux
1.2.1	3R-VRQV5-24	1	COMPAQ V55 CLR MON,NH,TC095
1.2.2	3X-BA611-4D	1	Disk Cage for DS20E, 4x disk
1.2.2.1	3R-A0585-AA	4	18.2GB Ucsai3 10k Universal disk
1.2.3	3X-BC56C-2F	1	DS20E SCSI Cable Kit
1.2.4	3X-DEFFA-DC	1	PCI to FDDI DAS MMF with SC,Universal
1.2.5	3X-KZPCA-AA	1	Single channel LVD adapter
1.2.6	FR-H7910-AA	1	Third power supply for DS20E
1.2.7	KN311-BD	1	AS DS20E 6/667 SMP UPG for Linux
1.2.8	KZPBA-CA	2	PCI to UltraSCSI Adapter UWSE
1.2.9	KZPCM-DA	1	Dual Uscsi with FastEther PCI
1.2.10	MS340-CA	1	DS20 256MB SDIMM MEM 4x64MB
1.2.11	MS340-DA	1	DS20 512MB SDIMM MEM 4x128MB
1.2.12	SN-PBXGK-BB	1	Elsa Gloria Synergy 8M Video Graphics
1.2.13	TLZ10-LB	1	12/24GB 4mm DAT 5.25" HH
2	DS-BA356-KF	1	Pedestal Storage, UltraW, Single-Bus
2.1	BN19C-2E	2	PowerCable 240V, C-Europe
2.2	BN38C-02	1	Ultra Cbl VHDCI - 68HD
2.3	CK-BA35X-HH	1	180W Stor.Shelf PWR for AS4x00
2.4	DS-RZ1ED-VW	6	18.2GB 10000r UltraSCSI disk
3	DS-BA356-KF	1	Pedestal Storage, UltraW, Single-Bus
3.1	BN19C-2E	2	PowerCable 240V, C-Europe
3.2	BN38C-02	1	Ultra Cbl VHDCI - 68HD
3.3	CK-BA35X-HH	1	180W Stor.Shelf PWR for AS4x00
3.4	DS-RZ1ED-VW	6	18.2GB 10000r UltraSCSI disk
4	DS-TZ89N-TA	1	35/70GB SE DLT-tape TT FWSE
5	BN39C-02	1	1.8 Video Extension Cable ****
6	SN-LKQ47-AF	1	102 KEY KYBD, NON-WIN, Finnish
7	BN19C-2E	2	PowerCable 240V, C-Europe
8	BN38C-02	1	Ultra Cbl VHDCI - 68HD

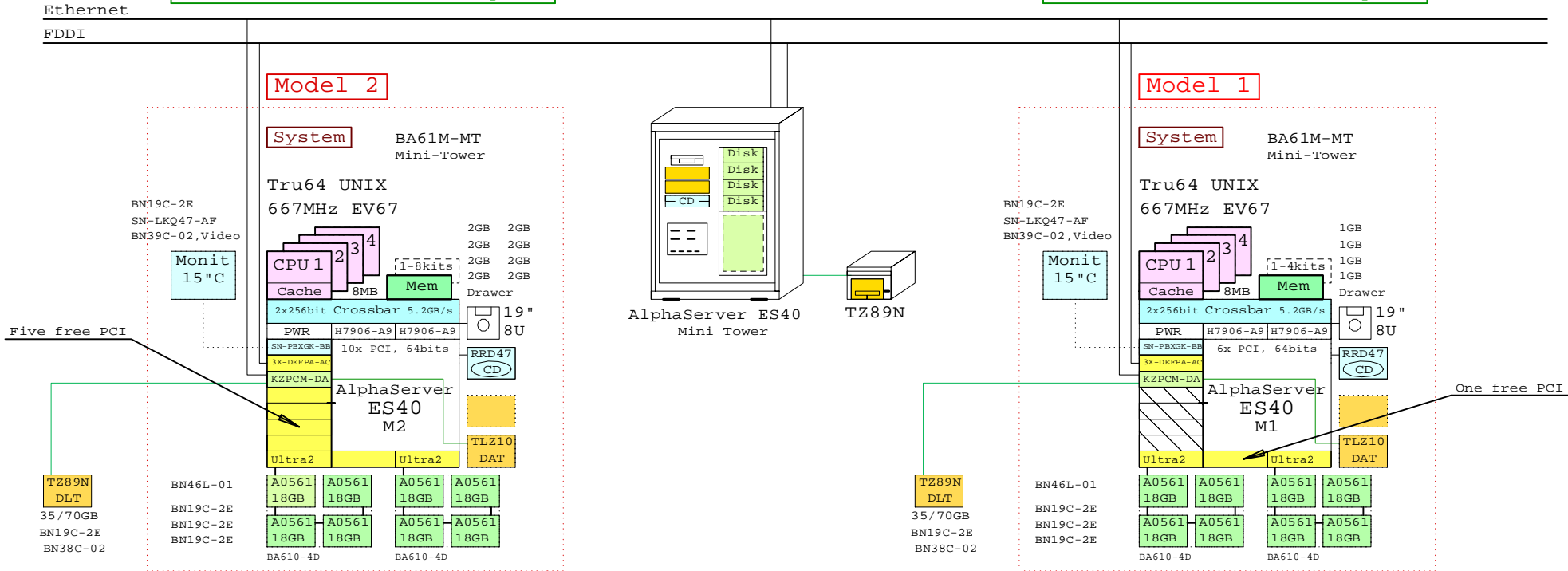


22-Aug-2000 GTALDS20E5
Matti.Patari@compaq.com

AlphaServer DS20E Linux System
GOLDEN EGGS Visuals, Helsinki

ES40 Model 2 Mini Tower System

ES40 Model 1 Mini Tower System



Bill of material, Model 2

Part Number	Qty	Description
1	1	BA61M-MT ES40 Mini-Tower Enclosure
1.1	1	BN19C-2E PowerCable 240V, C-Europe
1.2	1	DA-64BAA-EA ES40 67/667 Model 2 2GB UNIX 10PCI DWR
1.2.1	1	3R-VRQV5-24 COMPAQ V55 CLR MON,NH,TC095
1.2.2	1	3X-DEFPA-AC PCI to FDDI SAS MMF with SC,Universal
1.2.3	1	BA610-4D ES40 Disk Drive Cage, 4Bay
1.2.3.1	4	3R-A0561-AA 18.2GB 10000r Universal Disk
1.2.4	1	BA610-4D ES40 Disk Drive Cage, 4Bay
1.2.4.1	4	3R-A0561-AA 18.2GB 10000r Universal Disk
1.2.5	3	BN19C-2E PowerCable 240V, C-Europe
1.2.6	1	BN39C-02 1.8 Video Extension Cable ****
1.2.7	1	BN46L-01 Multi head SCSI cable,ES40
1.2.8	2	H7906-A9 ES40 Power Sply, 2nd or 3rd
1.2.9	3	KN610-BB ES40 6/667MHz UNIX SMP 8mb cache
1.2.10	1	KZPCM-DA Dual Uscsi with FastEther PCI
1.2.11	7	MS610-EA ES40 2GB Memory Option
1.2.12	1	SN-PBXGK-BB Elsa Gloria Synergy 8M Video Graphics
1.2.13	1	TLZ10-LB 12/24GB 4mm DAT 5.25" HH
1.3	1	SN-LKQ47-AF 102 KEY KYBD,NON-WIN, Finnish
2	1	DS-TZ89N-TA 35/70GB SE DLT-tape TT FWSE
3	1	BN19C-2E PowerCable 240V, C-Europe
4	1	BN38C-02 Ultra Cbl VHDCI - 68HD

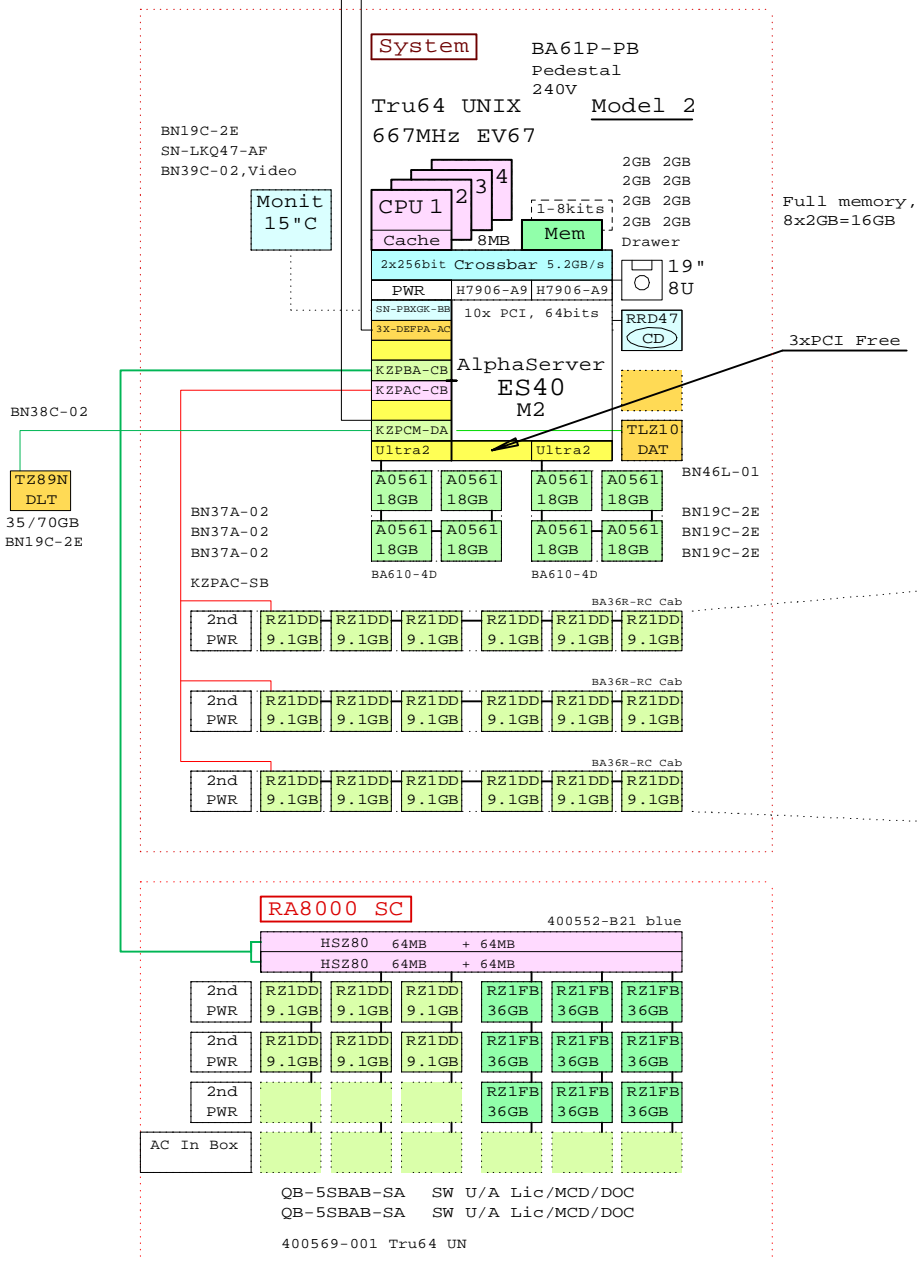
Bill of material, Model 1

Part Number	Qty	Description
1	1	BA61M-MT ES40 Mini-Tower Enclosure
1.1	1	BN19C-2E PowerCable 240V, C-Europe
1.2	1	DA-62BAA-DA ES40 67/667 Model 1 1GB UNIX 6PCI DWR
1.2.1	1	3R-VRQV5-24 COMPAQ V55 CLR MON,NH,TC095
1.2.2	1	3X-DEFPA-AC PCI to FDDI SAS MMF with SC,Universal
1.2.3	1	BA610-4D ES40 Disk Drive Cage, 4Bay
1.2.3.1	4	3R-A0561-AA 18.2GB 10000r Universal Disk
1.2.4	1	BA610-4D ES40 Disk Drive Cage, 4Bay
1.2.4.1	4	3R-A0561-AA 18.2GB 10000r Universal Disk
1.2.5	3	BN19C-2E PowerCable 240V, C-Europe
1.2.6	1	BN39C-02 1.8 Video Extension Cable ****
1.2.7	1	BN46L-01 Multi head SCSI cable,ES40
1.2.8	2	H7906-A9 ES40 Power Sply, 2nd or 3rd
1.2.9	3	KN610-BB ES40 6/667MHz UNIX SMP 8mb cache
1.2.10	1	KZPCM-DA Dual Uscsi with FastEther PCI
1.2.11	3	MS610-DA ES40 1GB Memory Option
1.2.12	1	SN-LKQ47-AF 102 KEY KYBD,NON-WIN, Finnish
1.2.13	1	SN-PBXGK-BB Elsa Gloria Synergy 8M Video Graphics
1.2.14	1	TLZ10-LB 12/24GB 4mm DAT 5.25" HH
2	1	DS-TZ89N-TA 35/70GB SE DLT-tape TT FWSE
3	1	BN19C-2E PowerCable 240V, C-Europe
4	1	BN38C-02 Ultra Cbl VHDCI - 68HD

ES40 Model 2 Pedestal System

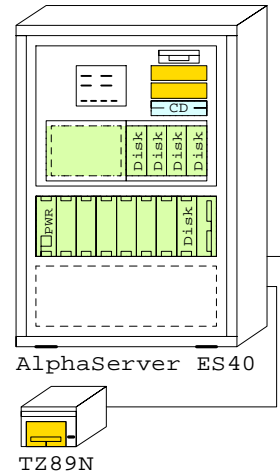
Ethernet

FDDI



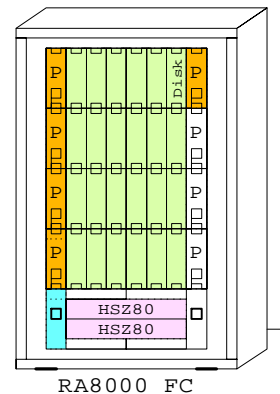
Bill of material for the base Pedestal

Part Number	Qty	Description
1	DA-64BAA-EA	1 ES40 67/667 Model 2 2GB UNIX 10PCI DWR
1.1	3R-VRQV5-24	1 COMPAQ V55 CLR MON,NH,TC095
1.2	3X-DEFPA-AC	1 PCI to FDDI SAS MMF with SC,Universal
1.3	BA610-4D	1 ES40 Disk Drive Cage, 4Bay
1.3.1	3R-A0561-AA	4 18.2GB 10000r Universal Disk
1.4	BA610-4D	1 ES40 Disk Drive Cage, 4Bay
1.4.1	3R-A0561-AA	4 18.2GB 10000r Universal Disk
1.5	H7906-A9	2 ES40 Power Syplly, 2nd or 3rd
1.6	KN610-BB	3 ES40 6/667MHz UNIX SMP 8mb cache
1.7	KZPBA-CB	1 PCI to UltraSCSI Adapter Uwdif
1.8	KZPCM-DA	1 Dual Uscsi with FastEther PCI
1.9	MS610-EA	7 ES40 2GB Memory Option
1.10	SN-PBXGK-BB	1 Elsa Gloria Synergy 8M Video Graphics
1.11	TLZ10-LB	1 12/24GB 4mm DAT 5.25" HH
2	DS-TZ89N-TA	1 35/70GB SE DLT-tape TT FWSE
3	BN39C-02	1 1.8 Video Extension Cable ****
4	SN-LKQ47-AF	1 102 KEY KYBD,NON-WIN, Finnish
5	BN19C-2E	5 PowerCable 240V, C-Europe
6	BN38C-02	1 Ultra Cbl VHDCI - 68HD
7	BN46L-01	1 Multi head SCSI cable,ES40



BOM for the RAID disks in pedestal

Part Number	Qty	Description
1	BA36R-RC	1 RH ULTRASCSCI SHELF CAB SINGLE
1.1	CK-BA35X-HH	1 180W Stor.Shelf PWR for AS4x00
1.2	DS-RZ1DD-VW	6 9.1GB 10000r UltraSCSI disk
2	BA36R-RC	1 RH ULTRASCSCI SHELF CAB SINGLE
2.1	CK-BA35X-HH	1 180W Stor.Shelf PWR for AS4x00
2.2	DS-RZ1DD-VW	6 9.1GB 10000r UltraSCSI disk
3	BA36R-RC	1 RH ULTRASCSCI SHELF CAB SINGLE
3.1	CK-BA35X-HH	1 180W Stor.Shelf PWR for AS4x00
3.2	DS-RZ1DD-VW	6 9.1GB 10000r UltraSCSI disk
4	KZPAC-CB	1 3 Chan. SCSI RAID 8MB UltraW
5	BN37A-02	3 Ultra Cbl VHDCI - VHDCI
6	KZPAC-SB	1 Dual bulk head



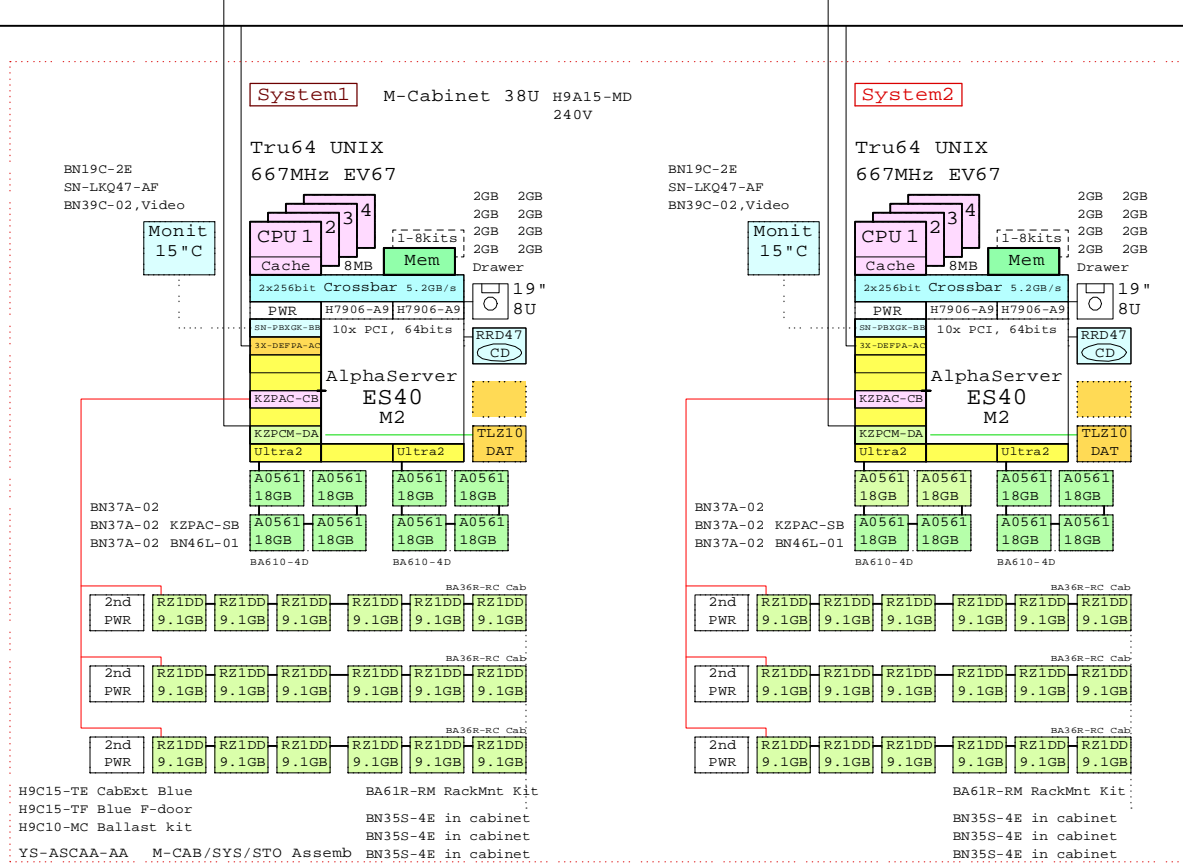
BOM for the external RA8000 RAID

Part Number	Qty	Description
1	400552-B21	1 RA8000 SC 2x HSZ80 64MB Blue pedestal
1.1	DS-BA35X-HE	1 AC INPUT BOX BA370
1.2	DS-BA35X-HH	3 180W power supply Blu SBB
1.3	DS-HSSIM-AB	2 64MB Cache Upg for HSZ70
1.4	DS-RZ1DD-VW	6 9.1GB 10000r UltraSCSI disk
1.5	DS-RZ1FB-VW	9 36GB 7200 UltraSCSI Disk
2	QB-5SBAB-SA	2 HSZ70 SW UNIX Alp LIC/MCD/DOC
3	400569-001	1 Ultra opt OS Software Tru64 UNIX
4	KZPBA-CB	1 PCI to UltraSCSI Adapter Uwdif

ES40 Model 2 Systems in Cabinet M15

Ethernet

FDDI

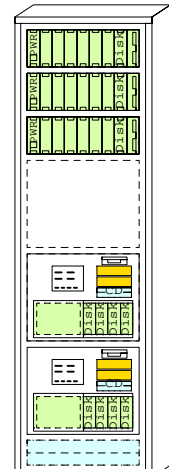


Bill of material for Cabinet and System 1

Part Number	Qty	Description
1	1	H9A15-MD 1 M-Series Cab,H9A15,Blue,240V 38U
1.1	1	BA36R-RC 1 RH ULTRASCSI SHELF CAB SINGLE
1.1.1	1	CK-BA35X-HH 1 180W Stor.Shelf PWR for AS4x00
1.1.2	6	DS-RZ1DD-VW 6 9.1GB 10000r UltraSCSI disk
1.2	1	BA36R-RC 1 RH ULTRASCSI SHELF CAB SINGLE
1.2.1	1	CK-BA35X-HH 1 180W Stor.Shelf PWR for AS4x00
1.2.2	6	DS-RZ1DD-VW 6 9.1GB 10000r UltraSCSI disk
1.3	1	BA36R-RC 1 RH ULTRASCSI SHELF CAB SINGLE
1.3.1	1	CK-BA35X-HH 1 180W Stor.Shelf PWR for AS4x00
1.3.2	6	DS-RZ1DD-VW 6 9.1GB 10000r UltraSCSI disk
1.4	1	BA61R-RM 1 ES40 Rackmount Kit
1.5	1	BN19C-2E 1 PowerCable 240V, C-Europe
1.6	3	BN35S-4E 3 PowerCord C13 to C14, Non US
1.7	3	BN37A-02 3 Ultra Cbl VHDCI - VHDCI
1.8	1	BN39C-02 1 1.8 Video Extension Cable ****
1.9	1	DA-64BAA-EA 1 ES40 67/667 Model 2 2GB UNIX 10PCI DWR
1.9.1	1	3R-VRQV5-24 1 COMPAQ V55 CLR MON,NH,TCO95
1.9.2	1	3X-DEPPA-AC 1 PCI to FDDI SAS MMF with SC,Universal
1.9.3	1	BA610-4D 1 ES40 Disk Drive Cage, 4Bay
1.9.3.1	4	3R-A0561-AA 4 18.2GB 10000r Universal Disk
1.9.4	1	BA610-4D 1 ES40 Disk Drive Cage, 4Bay
1.9.4.1	4	3R-A0561-AA 4 18.2GB 10000r Universal Disk
1.9.5	1	BN46L-01 1 Multi head SCSI cable,ES40
1.9.6	2	H7906-A9 2 ES40 Power Sply, 2nd or 3rd
1.9.7	3	KN610-BB 3 ES40 6/667MHz UNIX SMP 8mb cache
1.9.8	1	KZPAC-CB 1 3 Chan. SCSI RAID 8MB Ultra
1.9.9	1	KZPAC-SB 1 Dual bulk head
1.9.10	1	KZPCM-DA 1 Dual Uscsi with FastEther PCI
1.9.11	7	MS610-EA 7 ES40 2GB Memory Option
1.9.12	1	SN-PBXGK-BB 1 Elsa Gloria Synergy 8M Video Graphics
1.9.13	1	TLZ10-LB 1 12/24GB 4mm DAT 5.25" HH
1.10	1	H9C10-MC 1 Ballast Kit for cabinets
1.11	1	H9C15-TE 1 Rear cab extender for H9A15 Blue
1.12	1	H9C15-TF 1 FrontDoorKit Blue for H9A15
1.13	1	SN-LKQ47-AF 1 102 KEY KYBD,NON-WIN, Finnish
1.14	1	YS-ASCAA-AA 1 M-CAB/SYS/STO Assembly

Bill of material for System 2

Part Number	Qty	Description
1	1	DA-64BAA-EA 1 ES40 67/667 Model 2 2GB UNIX 10PCI DWR
1.1	1	3R-VRQV5-24 1 COMPAQ V55 CLR MON,NH,TCO95
1.2	1	3X-DEPPA-AC 1 PCI to FDDI SAS MMF with SC,Universal
1.3	1	BA610-4D 1 ES40 Disk Drive Cage, 4Bay
1.3.1	4	3R-A0561-AA 4 18.2GB 10000r Universal Disk
1.4	1	BA610-4D 1 ES40 Disk Drive Cage, 4Bay
1.4.1	4	3R-A0561-AA 4 18.2GB 10000r Universal Disk
1.5	1	BN46L-01 1 Multi head SCSI cable,ES40
1.6	2	H7906-A9 2 ES40 Power Sply, 2nd or 3rd
1.7	3	KN610-BB 3 ES40 6/667MHz UNIX SMP 8mb cache
1.8	1	KZPAC-CB 1 3 Chan. SCSI RAID 8MB Ultra
1.9	1	KZPAC-SB 1 Dual bulk head
1.10	1	KZPCM-DA 1 Dual Uscsi with FastEther PCI
1.11	7	MS610-EA 7 ES40 2GB Memory Option
1.12	1	SN-PBXGK-BB 1 Elsa Gloria Synergy 8M Video Graphics
1.13	1	TLZ10-LB 1 12/24GB 4mm DAT 5.25" HH
2	1	BA61R-RM 1 ES40 Rackmount Kit
3	3	BN35S-4E 3 PowerCord C13 to C14, Non US
4	3	CK-BA35X-HH 3 180W Stor.Shelf PWR for AS4x00
5	18	DS-RZ1DD-VW 18 9.1GB 10000r UltraSCSI disk
6	1	BN39C-02 1 1.8 Video Extension Cable ****
7	1	SN-LKQ47-AF 1 102 KEY KYBD,NON-WIN, Finnish
8	3	BN37A-02 3 Ultra Cbl VHDCI - VHDCI
9	1	BN19C-2E 1 PowerCable 240V, C-Europe



AlphaServer ES40

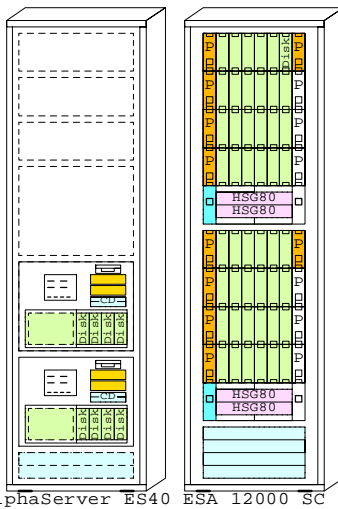
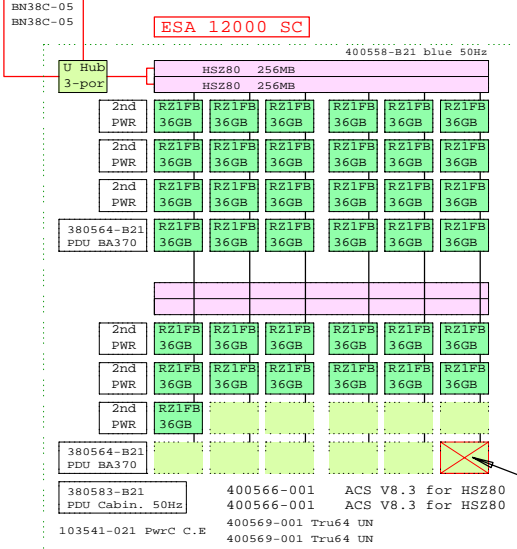
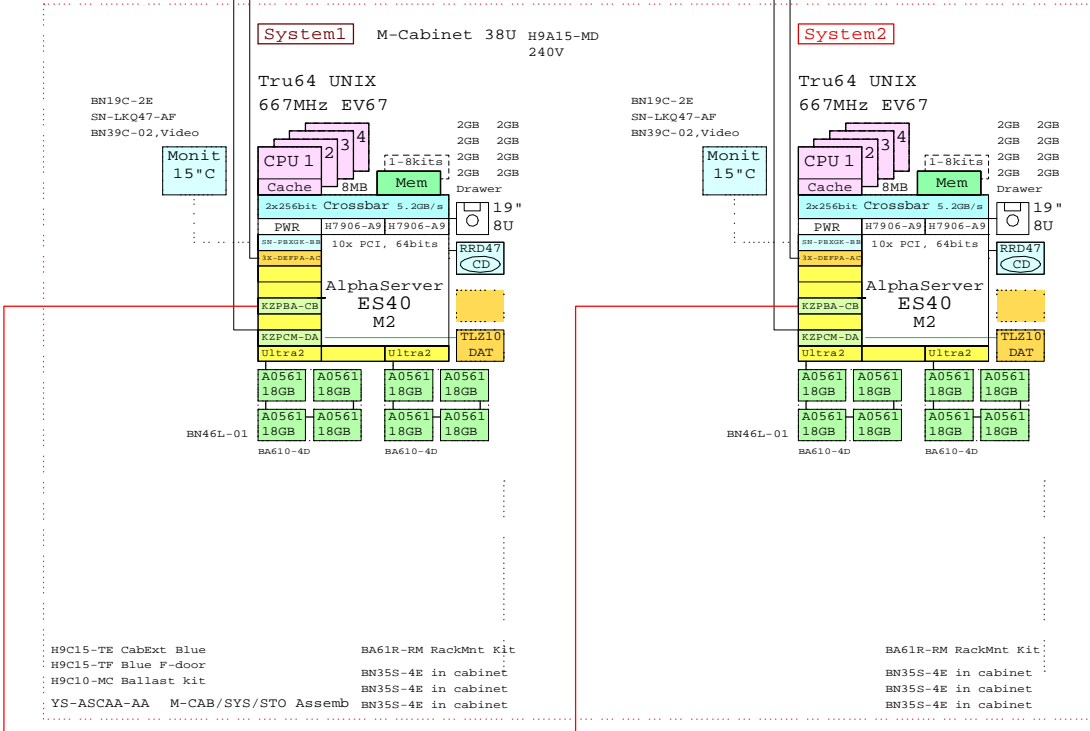
This template is included in the present GOLDEN EGGS Software kit.

ES40 UNIX

COMPAQ 19-Apr-2000 GTAUES407
 Matti.Patari@compaq.com
 AlphaServer ES40 UNIX Cabinet
 GOLDEN EGGS Visuals, Helsinki

ES40 Model 2 Cluster with external storage

Ethernet
FDDI



Bill of material for two cabinet Cluster

Part Number	Qty	Description
1		H9A15-MD 1 M-Series Cab,H9A15,Blue,240V 38U
1.1		BA61R-RM 2 ES40 Rackmount Kit
1.2		BN19C-2E 2 PowerCable 240V, C-Europe
1.3		BN35S-4E 6 PowerCord C13 to C14, Non US
1.4		BN39C-02 2 1.8 Video Extension Cable ****
1.5		DA-64BAA-EA 1 ES40 67/667 Model 2 2GB UNIX 10PCI DWR
1.5.1		3R-VRQV5-24 1 COMPAQ V55 CLR MON,NH,TC095
1.5.2		3X-DEFFA-AC 1 PCI to FDDI SAS MMF with SC,Universal
1.5.3		BA610-4D 1 ES40 Disk Drive Cage, 4Bay
1.5.3.1		3R-A0561-AA 4 18.2GB 10000r Universal Disk
1.5.4		BA610-4D 1 ES40 Disk Drive Cage, 4Bay
1.5.4.1		3R-A0561-AA 4 18.2GB 10000r Universal Disk
1.5.5		BN46L-01 1 Multi head SCSI cable,ES40
1.5.6		H7906-A9 2 ES40 Power Sply, 2nd or 3rd
1.5.7		KN610-BB 3 ES40 6/667MHz UNIX SMP 8mb cache
1.5.8		KZPBA-CB 1 PCI to UltraSCSI Adapter UWd1f
1.5.9		KZPCM-DA 1 Dual Ucsdi with FastEther PCI
1.5.10		MS610-EA 7 ES40 2GB Memory Option
1.5.11		SN-PBXGK-BB 1 Elsa Gloria Synergy 8M Video Graphics
1.5.12		TLZ10-LB 1 12/24GB 4mm DAT 5.25" HH
1.6		DA-64BAA-EA 1 ES40 67/667 Model 2 2GB UNIX 10PCI DWR
1.6.1		3R-VRQV5-24 1 COMPAQ V55 CLR MON,NH,TC095
1.6.2		3X-DEFFA-AC 1 PCI to FDDI SAS MMF with SC,Universal
1.6.3		BA610-4D 1 ES40 Disk Drive Cage, 4Bay
1.6.3.1		3R-A0561-AA 4 18.2GB 10000r Universal Disk
1.6.4		BA610-4D 1 ES40 Disk Drive Cage, 4Bay
1.6.4.1		3R-A0561-AA 4 18.2GB 10000r Universal Disk
1.6.5		BN46L-01 1 Multi head SCSI cable,ES40
1.6.6		H7906-A9 2 ES40 Power Sply, 2nd or 3rd
1.6.7		KN610-BB 3 ES40 6/667MHz UNIX SMP 8mb cache
1.6.8		KZPBA-CB 1 PCI to UltraSCSI Adapter UWd1f
1.6.9		KZPCM-DA 1 Dual Ucsdi with FastEther PCI
1.6.10		MS610-EA 7 ES40 2GB Memory Option
1.6.11		SN-PBXGK-BB 1 Elsa Gloria Synergy 8M Video Graphics
1.6.12		TLZ10-LB 1 12/24GB 4mm DAT 5.25" HH
1.7		H9C10-MC 1 Ballast Kit for cabinets
1.8		H9C15-TE 1 Rear cab extender for H9A15 Blue
1.9		H9C15-TF 1 FrontDoorKit Blue for H9A15
1.10		SN-LKQ47-AF 2 102 KEY KYBD,NON-WIN, Finnish
1.11		YS-ASCAA-AA 1 M-CAB/SYS/STO Assembly
2		400558-B21 1 ESA1200 SC 50Hz 2x24 2xCnt blue
2.1		103541-021 1 Power Cord 13-20A C.Europe
2.2		380564-B21 2 Power Distribution Unit RA8k/7k
2.3		380565-B21 6 Power Sply 180W Hot Plug SBB
2.4		380583-B21 1 ESA1200 Cabinet PDU 50Hz
2.5		400566-001 2 HSZ80 Controller Software ACS V8.3
2.6		400569-001 2 Ultra opt OS Software Tru64 UNIX
2.7		DS-DWZHH-03 1 Ucsdi Act hub 0 SE:3/Dif 3.5" SBB
2.8		DS-RZ1FB-VW 37 36GB 7200 UltraSCSI Disk
3		BN38C-05 2 Ultra Cbl VHDCl - 68HD

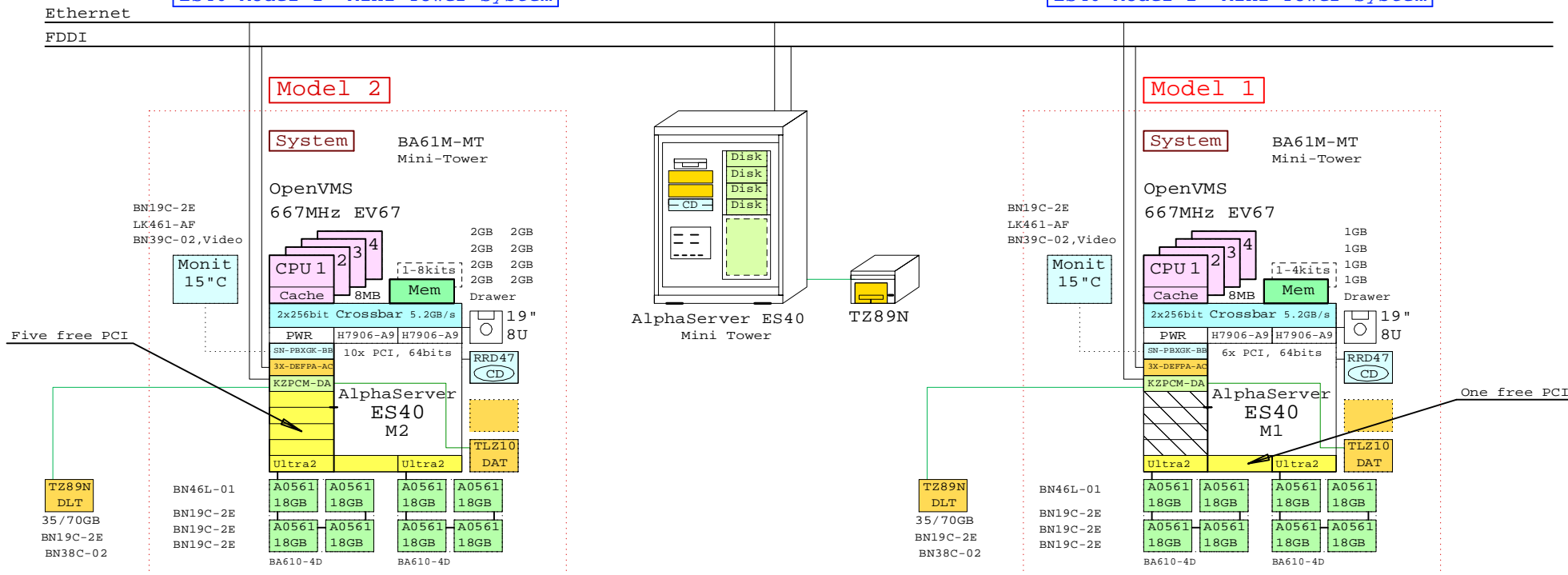
COMPAQ 19-Apr-2000 GTAUES408
Matti.Patari@compaq.com

ES40 UNIX AlphaServer ES40 UNIX Cluster
GOLDEN EGGS Visuals, Helsinki

This template is included in the present GOLDEN EGGS Software kit.

ES40 Model 2 Mini Tower System

ES40 Model 1 Mini Tower System



Bill of material, Model 2

Part Number	Qty	Description
1	1	BA61M-MT ES40 Mini-Tower Enclosure
1.1	1	BN19C-2E PowerCable 240V, C-Europe
1.2	1	DY-64BAA-EA ES40 67/667 Model 2 2GB OVMS 10PCI DWR
1.2.1	1	3R-VRQV5-24 COMPAQ V55 CLR MON,NH,TC095
1.2.2	1	3X-DEFPA-AC PCI to FDDI SAS MMF with SC,Universal
1.2.3	1	BA610-4D ES40 Disk Drive Cage, 4Bay
1.2.3.1	4	3R-A0561-AA 18.2GB 10000r Universal Disk
1.2.4	1	BA610-4D ES40 Disk Drive Cage, 4Bay
1.2.4.1	4	3R-A0561-AA 18.2GB 10000r Universal Disk
1.2.5	3	BN19C-2E PowerCable 240V, C-Europe
1.2.6	1	BN39C-02 1.8 Video Extension Cable ****
1.2.7	1	BN46L-01 Multi head SCSI cable,ES40
1.2.8	2	H7906-A9 ES40 Power Syply, 2nd or 3rd
1.2.9	3	KN610-BC ES40 6/667MHz OVMS SMP 8mb cache
1.2.10	1	KZPCM-DA Dual Uscsi with FastEther PCI
1.2.11	7	MS610-EA ES40 2GB Memory Option
1.2.12	1	SN-PBXGK-BB Elsa Gloria Synergy 8M Video Graphics
1.2.13	1	TLZ10-LB 12/24GB 4mm DAT 5.25" HH
1.3	1	LK461-AF VMS STYLE KEYBOARD, Fin/Swed
2	1	DS-TZ89N-TA 35/70GB SE DLT-tape TT FWSE
3	1	BN19C-2E PowerCable 240V, C-Europe
4	1	BN38C-02 Ultra Cbl VHDCI - 68HD

Bill of material, Model 1

Part Number	Qty	Description
1	1	BA61M-MT ES40 Mini-Tower Enclosure
1.1	1	BN19C-2E PowerCable 240V, C-Europe
1.2	1	DY-62BAA-DA ES40 67/667 Model 1 1GB OVMS 6PCI DWR
1.2.1	1	3R-VRQV5-24 COMPAQ V55 CLR MON,NH,TC095
1.2.2	1	3X-DEFPA-AC PCI to FDDI SAS MMF with SC,Universal
1.2.3	1	BA610-4D ES40 Disk Drive Cage, 4Bay
1.2.3.1	4	3R-A0561-AA 18.2GB 10000r Universal Disk
1.2.4	1	BA610-4D ES40 Disk Drive Cage, 4Bay
1.2.4.1	4	3R-A0561-AA 18.2GB 10000r Universal Disk
1.2.5	3	BN19C-2E PowerCable 240V, C-Europe
1.2.6	1	BN39C-02 1.8 Video Extension Cable ****
1.2.7	1	BN46L-01 Multi head SCSI cable,ES40
1.2.8	2	H7906-A9 ES40 Power Syply, 2nd or 3rd
1.2.9	3	KN610-BC ES40 6/667MHz OVMS SMP 8mb cache
1.2.10	1	KZPCM-DA Dual Uscsi with FastEther PCI
1.2.11	3	MS610-DA ES40 1GB Memory Option
1.2.12	1	SN-PBXGK-BB Elsa Gloria Synergy 8M Video Graphics
1.2.13	1	TLZ10-LB 12/24GB 4mm DAT 5.25" HH
1.3	1	LK461-AF VMS STYLE KEYBOARD, Fin/Swed
2	1	DS-TZ89N-TA 35/70GB SE DLT-tape TT FWSE
3	1	BN19C-2E PowerCable 240V, C-Europe
4	1	BN38C-02 Ultra Cbl VHDCI - 68HD

This template is included in the present GOLDEN EGGS Software kit.

ES40 OVMS

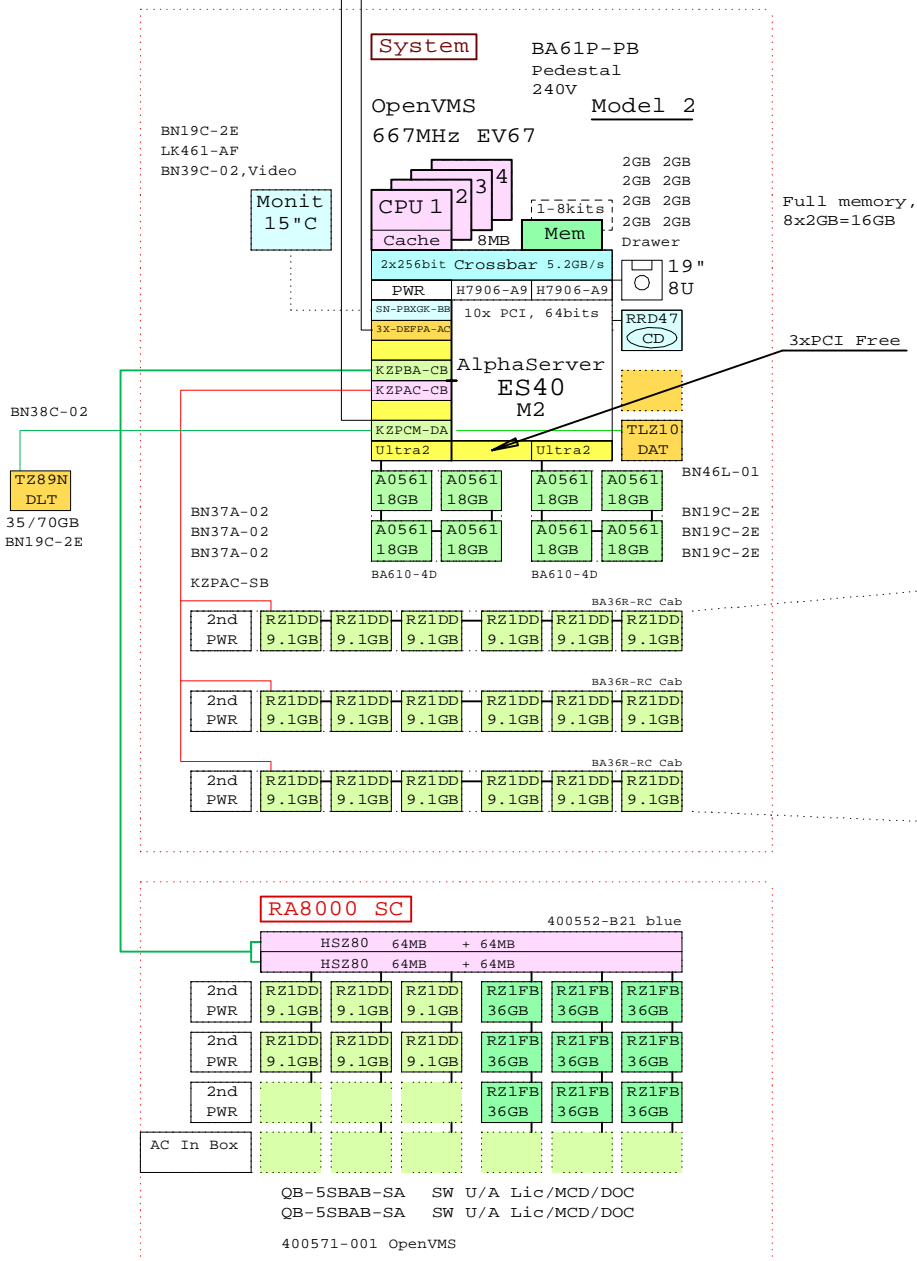
COMPAQ 19-Apr-2000 GTAVES405
Matti.Patari@compaq.com

AlphaServer ES40 OpenVMS Tower
GOLDEN EGGS Visuals, Helsinki

ES40 Model 2 Pedestal System

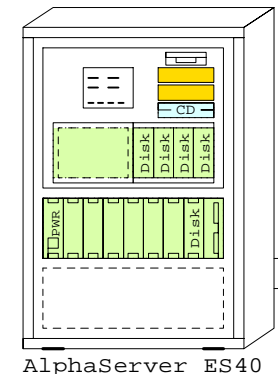
Ethernet

FDDI



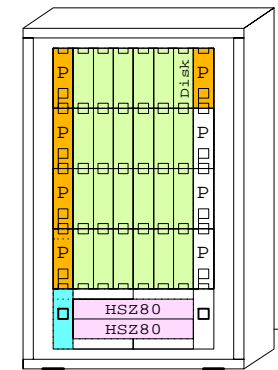
Bill of material for the base Pedestal

Part Number	Qty	Description
1	DY-64BAA-EA	1 ES40 67/667 Model 2 2GB OVMS 10PCI DWR
1.1	3R-VRQV5-24	1 COMPAQ V55 CLR MON,NH,TC095
1.2	3X-DEFPA-AC	1 PCI to FDDI SAS MMF with SC,Universal
1.3	BA610-4D	1 ES40 Disk Drive Cage, 4Bay
1.3.1	3R-A0561-AA	4 18.2GB 10000r Universal Disk
1.4	BA610-4D	1 ES40 Disk Drive Cage, 4Bay
1.4.1	3R-A0561-AA	4 18.2GB 10000r Universal Disk
1.5	H7906-A9	2 ES40 Power Syplly, 2nd or 3rd
1.6	KN610-BC	3 ES40 6/667MHz OVMS SMP 8mb cache
1.7	KZPBA-CB	1 PCI to UltraSCSI Adapter Uwdif
1.8	KZPCM-DA	1 Dual Uscsi with FastEther PCI
1.9	MS610-EA	7 ES40 2GB Memory Option
1.10	SN-PBXGK-BB	1 Elsa Gloria Synergy 8M Video Graphics
1.11	TLZ10-LB	1 12/24GB 4mm DAT 5.25" HH
2	BN39C-02	1 1.8 Video Extension Cable ****
3	BN19C-2E	4 PowerCable 240V, C-Europe
4	BN46L-01	1 Multi head SCSI cable,ES40
5	LK461-AF	1 VMS STYLE KEYBOARD, Fin/Swed



BOM for the RAID disks in pedestal

Part Number	Qty	Description
1	BA36R-RC	1 RH ULTRASCSCI SHELF CAB SINGLE
1.1	CK-BA35X-HH	1 180W Stor.Shelf PWR for AS4x00
1.2	DS-RZ1DD-VW	6 9.1GB 10000r UltraSCSI disk
2	BA36R-RC	1 RH ULTRASCSCI SHELF CAB SINGLE
2.1	CK-BA35X-HH	1 180W Stor.Shelf PWR for AS4x00
2.2	DS-RZ1DD-VW	6 9.1GB 10000r UltraSCSI disk
3	BA36R-RC	1 RH ULTRASCSCI SHELF CAB SINGLE
3.1	CK-BA35X-HH	1 180W Stor.Shelf PWR for AS4x00
3.2	DS-RZ1DD-VW	6 9.1GB 10000r UltraSCSI disk
4	KZPAC-CB	1 3 Chan. SCSI RAID 8MB UltraW
5	BN37A-02	3 Ultra Cbl VHDCI - VHDCI
6	KZPAC-SB	1 Dual bulk head



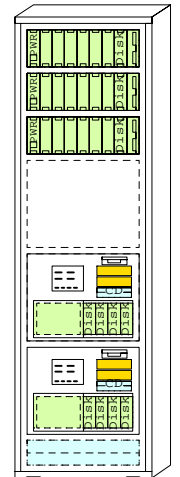
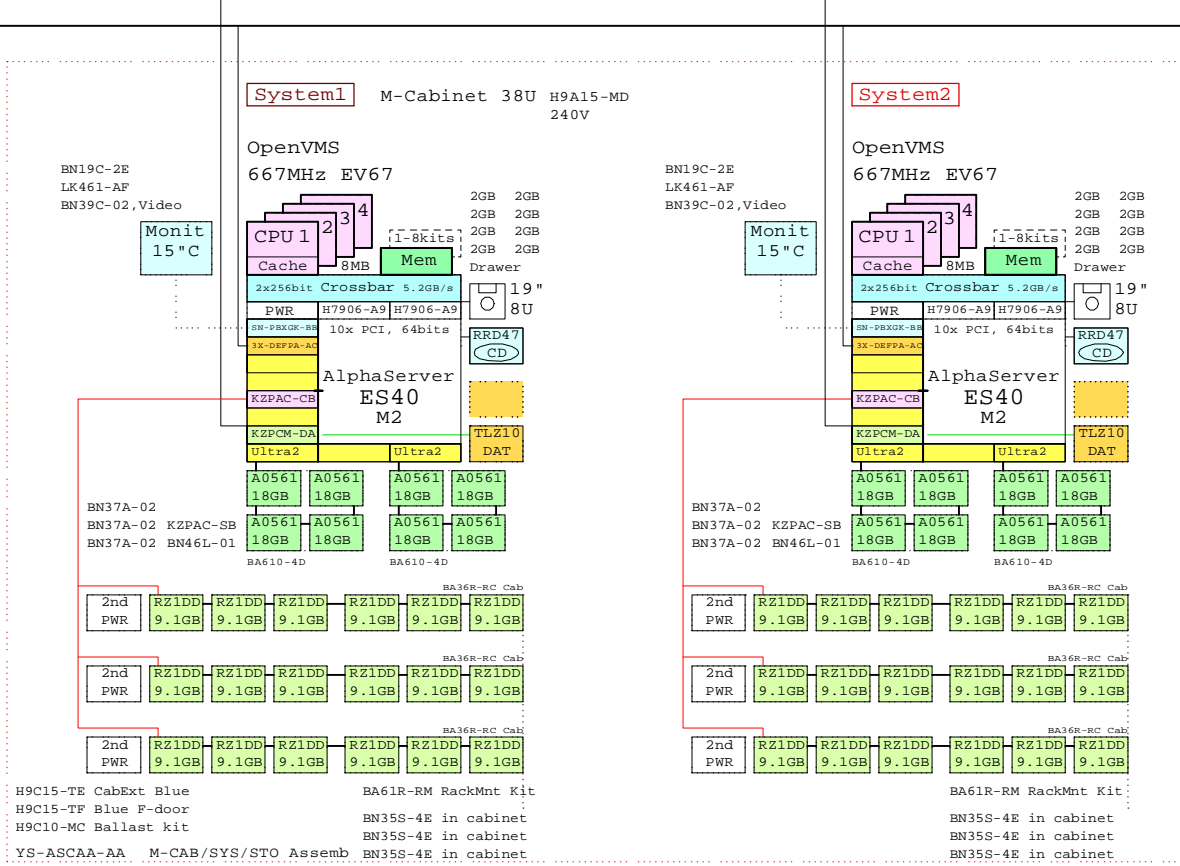
BOM for the external RA8000 RAID

Part Number	Qty	Description
1	400552-B21	1 RA8000 SC 2x HSZ80 64MB Blue pedestal
1.1	DS-BA35X-HE	1 AC INPUT BOX BA370
1.2	DS-BA35X-HH	3 180W power supply Blu SBB
1.3	DS-HSSIM-AB	2 64MB Cache Upg for HSZ70
1.4	DS-RZ1DD-VW	6 9.1GB 10000r UltraSCSI disk
1.5	DS-RZ1FB-VW	9 36GB 7200 UltraSCSI Disk
2	QB-5SBAB-SA	2 HSZ70 SW UNIX Alp LIC/MCD/DOC
3	400571-001	1 Ultra opt OS Software OpenVMS
4	KZPBA-CB	1 PCI to UltraSCSI Adapter Uwdif

ES40 Model 2 Systems in Cabinet M15

Ethernet

FDDI



AlphaServer ES40

Bill of material for Cabinet and System 1

Part Number	Qty	Description
1	1	H9A15-MD 1 M-Series Cab,H9A15,Blue,240V 38U
1.1	1	BA36R-RC 1 RH ULTRASCSCI SHELF CAB SINGLE
1.1.1	1	CK-BA35X-HH 1 180W Stor.Shelf PWR for AS4x00
1.1.2	6	DS-RZ1DD-VW 6 9.1GB 10000r UltraSCSI disk
1.2	1	BA36R-RC 1 RH ULTRASCSCI SHELF CAB SINGLE
1.2.1	1	CK-BA35X-HH 1 180W Stor.Shelf PWR for AS4x00
1.2.2	6	DS-RZ1DD-VW 6 9.1GB 10000r UltraSCSI disk
1.3	1	BA36R-RC 1 RH ULTRASCSCI SHELF CAB SINGLE
1.3.1	1	CK-BA35X-HH 1 180W Stor.Shelf PWR for AS4x00
1.3.2	6	DS-RZ1DD-VW 6 9.1GB 10000r UltraSCSI disk
1.4	1	BA61R-RM 1 ES40 Rackmount Kit
1.5	1	BN19C-2E 1 PowerCable 240V, C-Europe
1.6	3	BN35S-4E 3 PowerCord C13 to C14, Non US
1.7	3	BN37A-02 3 Ultra Cbl VHDCl - VHDCl
1.8	1	BN39C-02 1 1.8 Video Extension Cable ****
1.9	1	DY-64BAA-EA 1 ES40 67/667 Model 2 2GB OVMS 10PCI DWR
1.9.1	1	3R-VRQV5-24 1 COMPAQ V55 CLR MON,NH,TCO95
1.9.2	1	3X-DEFFA-AC 1 PCI to FDDI SAS MMF with SC,Universal
1.9.3	1	BA610-4D 1 ES40 Disk Drive Cage, 4Bay
1.9.3.1	4	3R-A0561-AA 4 18.2GB 10000r Universal Disk
1.9.4	1	BA610-4D 1 ES40 Disk Drive Cage, 4Bay
1.9.4.1	4	3R-A0561-AA 4 18.2GB 10000r Universal Disk
1.9.5	1	BM46L-01 1 Multi head SCSI cable,ES40
1.9.6	2	H7906-A9 2 ES40 Power Sply, 2nd or 3rd
1.9.7	3	KN610-BC 3 ES40 6/667MHz OVMS SMP 8mb cache
1.9.8	1	KZPAC-CB 1 3 Chan. SCSI RAID 8MB UltraW
1.9.9	1	KZPAC-SB 1 Dual bulk head
1.9.10	1	KZPCM-DA 1 Dual Uscsi with FastEther PCI
1.9.11	7	MS610-EA 7 ES40 2GB Memory Option
1.9.12	1	SN-PBXGK-BB 1 Elsa Gloria Synergy 8M Video Graphics
1.9.13	1	TLZ10-LB 1 12/24GB 4mm DAT 5.25" HH
1.10	1	H9C10-MC 1 Ballast Kit for cabinets
1.11	1	H9C15-TE 1 Rear cab extender for H9A15 Blue
1.12	1	H9C15-TF 1 FrontDoorKit Blue for H9A15
1.13	1	LK461-AF 1 VMS STYLE KEYBOARD, Fin/Swed
1.14	1	YS-ASCAA-AA 1 M-CAB/SYS/STO Assembly

Bill of material for System 2

Part Number	Qty	Description
1	1	DY-64BAA-EA 1 ES40 67/667 Model 2 2GB OVMS 10PCI DWR
1.1	1	3R-VRQV5-24 1 COMPAQ V55 CLR MON,NH,TCO95
1.2	1	3X-DEFFA-AC 1 PCI to FDDI SAS MMF with SC,Universal
1.3	1	BA610-4D 1 ES40 Disk Drive Cage, 4Bay
1.3.1	4	3R-A0561-AA 4 18.2GB 10000r Universal Disk
1.4	1	BA610-4D 1 ES40 Disk Drive Cage, 4Bay
1.4.1	4	3R-A0561-AA 4 18.2GB 10000r Universal Disk
1.5	1	BN46L-01 1 Multi head SCSI cable,ES40
1.6	2	H7906-A9 2 ES40 Power Sply, 2nd or 3rd
1.7	3	KN610-BC 3 ES40 6/667MHz OVMS SMP 8mb cache
1.8	1	KZPAC-CB 1 3 Chan. SCSI RAID 8MB UltraW
1.9	1	KZPAC-SB 1 Dual bulk head
1.10	1	KZPCM-DA 1 Dual Uscsi with FastEther PCI
1.11	7	MS610-EA 7 ES40 2GB Memory Option
1.12	1	SN-PBXGK-BB 1 Elsa Gloria Synergy 8M Video Graphics
1.13	1	TLZ10-LB 1 12/24GB 4mm DAT 5.25" HH
2	1	BA61R-RM 1 ES40 Rackmount Kit
3	3	BN35S-4E 3 PowerCord C13 to C14, Non US
4	3	CK-BA35X-HH 3 180W Stor.Shelf PWR for AS4x00
5	18	DS-RZ1DD-VW 18 9.1GB 10000r UltraSCSI disk
6	1	BN39C-02 1 1.8 Video Extension Cable ****
7	3	BN37A-02 3 Ultra Cbl VHDCl - VHDCl
8	1	BN19C-2E 1 PowerCable 240V, C-Europe
9	1	LK461-AF 1 VMS STYLE KEYBOARD, Fin/Swed

This template is included in the present GOLDEN EGGS Software kit.

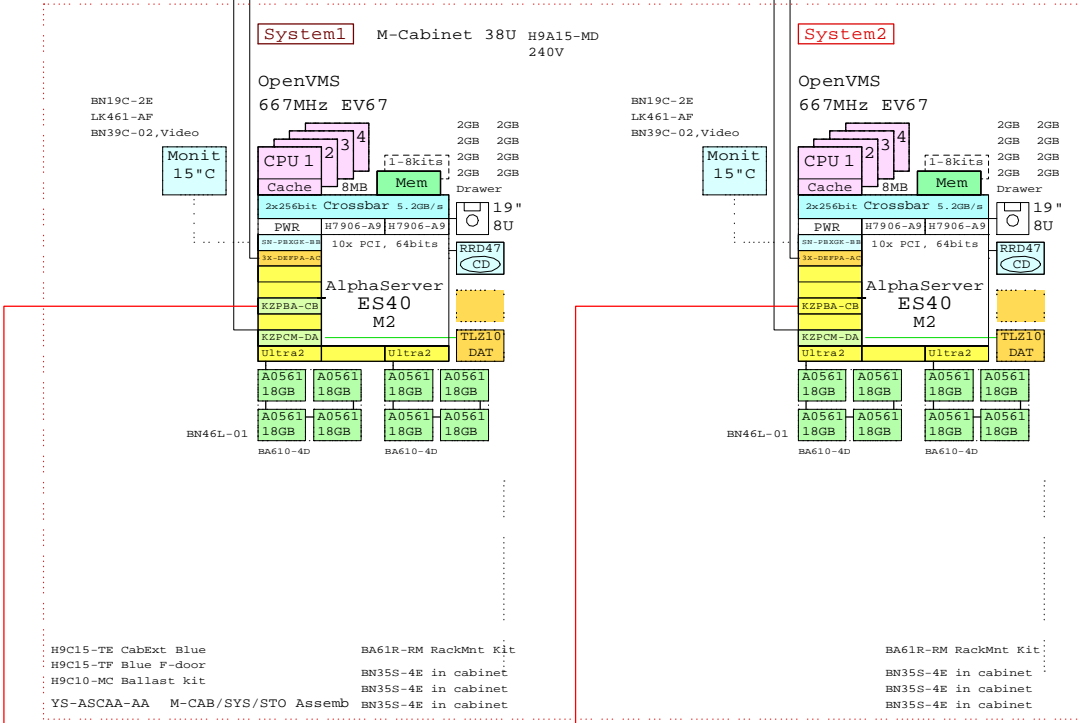
COMPAQ 19-Apr-2000 GTAVES407
Matti.Patari@compaq.com

ES40 OVMS AlphaServer ES40 OpenVMS Cab. GOLDEN EGGS Visuals, Helsinki

ES40 Model 2 Cluster with external storage

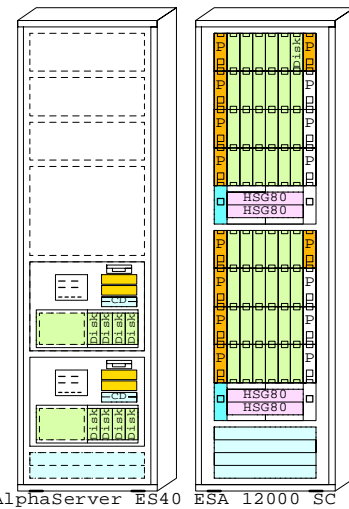
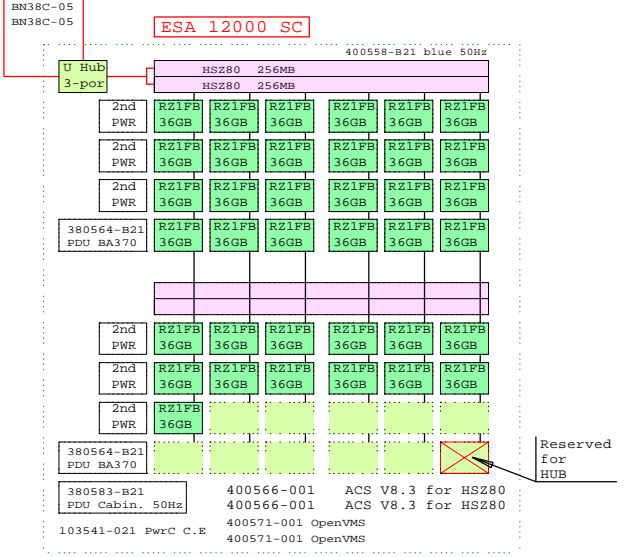
Ethernet

FDDI



Bill of material for two cabinet Cluster

Part Number	Qty	Description
1	H9A15-MD	1 M-Series Cab,H9A15,Blue,240V 38U
1.1	BA61R-RM	2 ES40 Rackmount Kit
1.2	BN19C-2E	2 PowerCable 240V, C-Europe
1.3	BN35S-4E	6 PowerCord C13 to C14, Non US
1.4	BN39C-02	2 1.8 Video Extension Cable ****
1.5	DY-64BAA-EA	1 ES40 67/667 Model 2 2GB OVMS 10PCI DWR
1.5.1	3R-VRQV5-24	1 COMPAQ V55 CLR MON,NH,TCO95
1.5.2	3X-DEFFPA-AC	1 PCI to FDDI SAS MMF with SC,Universal
1.5.3	BA610-4D	1 ES40 Disk Drive Cage, 4Bay
1.5.3.1	3R-A0561-AA	4 18.2GB 10000r Universal Disk
1.5.4	BA610-4D	1 ES40 Disk Drive Cage, 4Bay
1.5.4.1	3R-A0561-AA	4 18.2GB 10000r Universal Disk
1.5.5	BN46L-01	1 Multi head SCSI cable,ES40
1.5.6	H7906-A9	2 ES40 Power Sply, 2nd or 3rd
1.5.7	KN610-BC	3 ES40 6/667MHz OVMS SMP 8mb cache
1.5.8	KZPBA-CB	1 PCI to UltraSCSI Adapter UWDif
1.5.9	KZPCM-DA	1 Dual Uscci with FastEther PCI
1.5.10	MS610-EA	7 ES40 2GB Memory Option
1.5.11	SN-PRXGK-BB	1 Elsa Gloria Synergy 8M Video Graphics
1.5.12	TLZ10-LB	1 12/24Gb 4mm DAT 5.25" HH
1.6	DY-64BAA-EA	1 ES40 67/667 Model 2 2GB OVMS 10PCI DWR
1.6.1	3R-VRQV5-24	1 COMPAQ V55 CLR MON,NH,TCO95
1.6.2	3X-DEFFPA-AC	1 PCI to FDDI SAS MMF with SC,Universal
1.6.3	BA610-4D	1 ES40 Disk Drive Cage, 4Bay
1.6.3.1	3R-A0561-AA	4 18.2GB 10000r Universal Disk
1.6.4	BA610-4D	1 ES40 Disk Drive Cage, 4Bay
1.6.4.1	3R-A0561-AA	4 18.2GB 10000r Universal Disk
1.6.5	BN46L-01	1 Multi head SCSI cable,ES40
1.6.6	H7906-A9	2 ES40 Power Sply, 2nd or 3rd
1.6.7	KN610-BC	3 ES40 6/667MHz OVMS SMP 8mb cache
1.6.8	KZPBA-CB	1 PCI to UltraSCSI Adapter UWDif
1.6.9	KZPCM-DA	1 Dual Uscci with FastEther PCI
1.6.10	MS610-EA	7 ES40 2GB Memory Option
1.6.11	SN-PRXGK-BB	1 Elsa Gloria Synergy 8M Video Graphics
1.6.12	TLZ10-LB	1 12/24Gb 4mm DAT 5.25" HH
1.7	H9C10-MC	1 Ballast Kit for cabinets
1.8	H9C15-TE	1 Rear cab extender for H9A15 Blue
1.9	H9C15-TF	1 FrontDoorKit Blue for H9A15
1.10	LK461-AF	2 VMS STYLE KEYBOARD, Fin/Swed
1.11	YS-ASCAA-AA	1 M-CAB/SYS/STO Assembly
2	400558-B21	1 ESA1200 SC 50Hz 2x24 2xCnt blue
2.1	103541-021	1 Power Cord 13-20A C.Europe
2.2	380564-B21	2 Power Distribution Unit RA8k/7k
2.3	380565-B21	6 Power Sply 180W Hot Plug SBB
2.4	380583-B21	1 ESA1200 Cabinet PDU 50Hz
2.5	400566-001	2 HSZ80 Controller Software ACS V8.3
2.6	400571-001	2 Ultra opt OS Software OpenVMS
2.7	DS-DWZZH-03	1 Uscci Act hub 0 SE:3/Dif 3.5" SBB
2.8	DS-RZ1FB-VW	37 36GB 7200 UltraSCSI Disk
3	BN38C-05	2 Ultra Cbl VHDCI - 68HD



This template is included in the present GOLDEN EGGS Software kit.

ES40 OVMS

COMPAQ 19-Apr-2000 GTAVES408
 Matti.Patari@compaq.com
 AlphaServer ES40 OpenVMS Clust
 GOLDEN EGGS Visuals, Helsinki

AlphaServer GS80 67/731 Systems

AlphaServer GS80 Model 4

DA-A80AA-AC/AD/AE Model 4 Tru64 UNIX
 DY-A80AA-AC/AD/AE Model 4 OpenVMS
 US/EU/JP

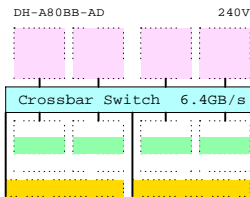
AlphaServer GS80 Model 8

DA-A80BA-AC/AD/AE Model 8 Tru64 UNIX
 DY-A80BA-AC/AD/AE Model 8 OpenVMS

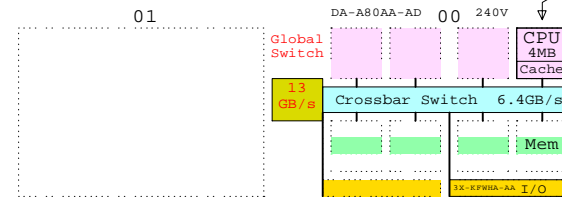
Tru64 UNIX or
 OpenVMS
 731MHz EV67

AlphaServer GS80 Model 4

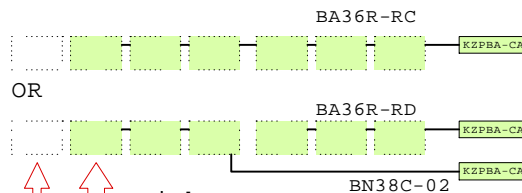
Upgrade: M4->M8



Field upgrade 01 QBB
 DH-A80BB-AC/AD



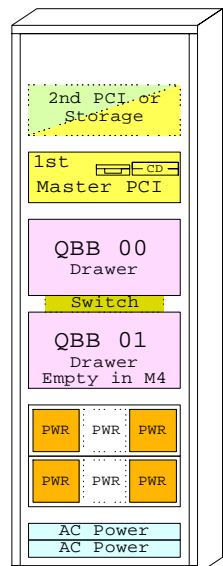
Storage Shelves, 1-2



Disks

- RZ1FC 36GB DS-RZ1FC-VW
- RZ1ED 18GB DS-RZ1ED-VW
- 2nd PWR CK-BA35X-HH

HxWxD 170x80x100cm



Storage / PCI

Standard PCI

H7510-AA 1-2
 Optional power

AlphaServer GS80

BN25G-07

One CPU included

3X-KN8AA-AB UNIX
 CPU 4MB Cache
 3X-KN8AA-AC OpenVMS

Memory Upgrade
 1GB Mem 1GB Mem

3X-MS8AA-BB 1GB Module
 3X-MS8AA-BU 1GB DIMM

3X-MS8AA-CB 2GB Module
 3X-MS8AA-CU 2GB DIMM

3X-MS8AA-DB 4GB Module
 3X-MS8AA-DU 4GB DIMM

3R-VRQP7-24

Monit 17"C
 Console PC 3X-DS8BA-AA
 Console HUB 3X-DS8AA-AA
 Hub for 2nd partition

BN39C-02.Video
 BN19C-2E
 SN-LKQ47-AF

First Master PCI included

Licenses included:

- Tru64 UNIX V4.0G, Base license, Unlimited User license, Server Extension license, and Internet Solutions Software license and Netscape's Enterprise Server 3.0.
- OpenVMS V7.2-1H1 Base license and Enterprise Integration Package V3.0.

@731MHz
 SPECint95 -
 SPECfp95 -
 SPECweb96 -
 TPC -

Software Processor Code: G

COMPAQ 12-Sep-2000 GEAGS801
 Matti.Patari@compaq.com

AlphaServer GS80 M8 System
 GOLDEN EGGS Visuals, Helsinki

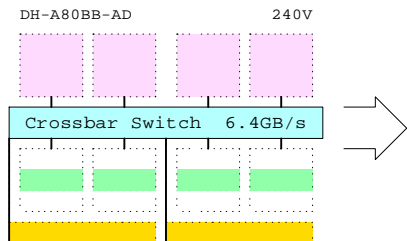
AlphaServer GS80 Tru64 UNIX System

Ethernet

FDDI

BOM for M04 -> M08 upgrade

Part Number	Qty	Description
DH-A80BB-AD	1	1xQBB AlphaServer GS80 for 5-8 240V EU
H7510-AA	1	Power Suply for AS GS80 Need: 1 or 2

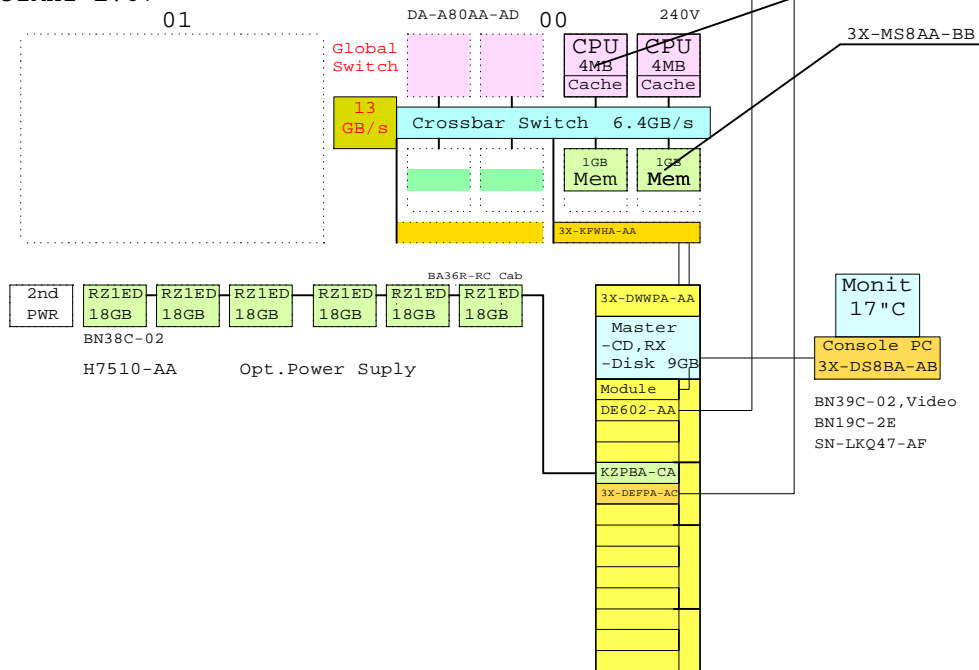


Field upgrade
second QBB

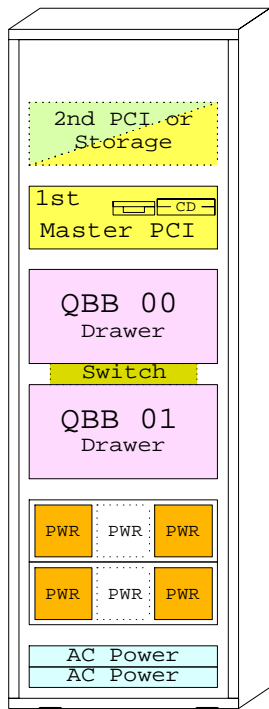
H7510-AA Opt.Power Suply

Tru64 UNIX
731MHz EV67

AlphaServer GS80 Model 4



H7510-AA Opt.Power Suply



AlphaServer GS80

BOM for this M04 entry system

Part Number	Qty	Description
1	1	AS GS80 M04 for 04 CPU 240V EU UNIX
1.1	1	3X-DEFFA-AC PCI to FDDI SAS MMF with SC,Universal
1.2	1	3X-KN8AA-AB CPU Module GS80 6/731MHz Tru64 UNIX
1.3	2	3X-MS8AA-BB 1GB AlphaServer GS320 Memory module
1.4	1	BA36R-RC RH ULTRASCISI SHELF CAB SINGLE
1.4.1	1	CK-BA35X-HH 180W Stor.Shelf PWR for AS4x00
1.4.2	6	DS-RZ1ED-VW 18.2GB 10000r UltraSCSI disk
1.5	1	BN38C-02 Ultra Cbl VHDCI - 68HD
1.6	1	H7510-AA Power Suply for AS GS80 Need: 1 or 2
1.7	1	KZPBA-CA PCI to UltraSCSI Adapter UWSE
2	1	3R-VRQP7-24 COMPAQ P75 CLR MON,NH,TCO99
3	1	3X-DS8BA-AB PC-based system console, tower, Europe
4	1	BN39C-02 1.8 Video Extension Cable ****
5	1	SN-LKQ47-AF 102 KEY KYBD, NON-WIN, Finnish
6	1	BN19C-2E PowerCable 240V, C-Europe

www.Compaq.com/golden-eggs

Since: Sep-2000



11-Sep-2000 GTAUGS801
Matti.Patari@compaq.com

AlphaServer GS80 UNIX System
GOLDEN EGGS Visuals, Helsinki

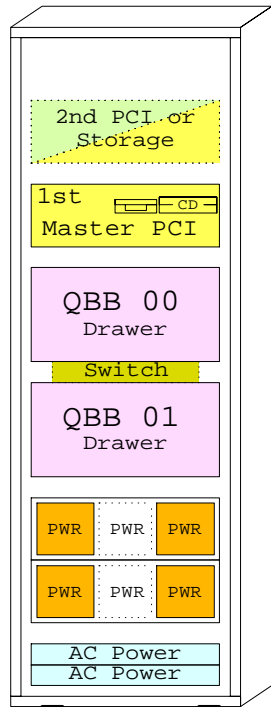
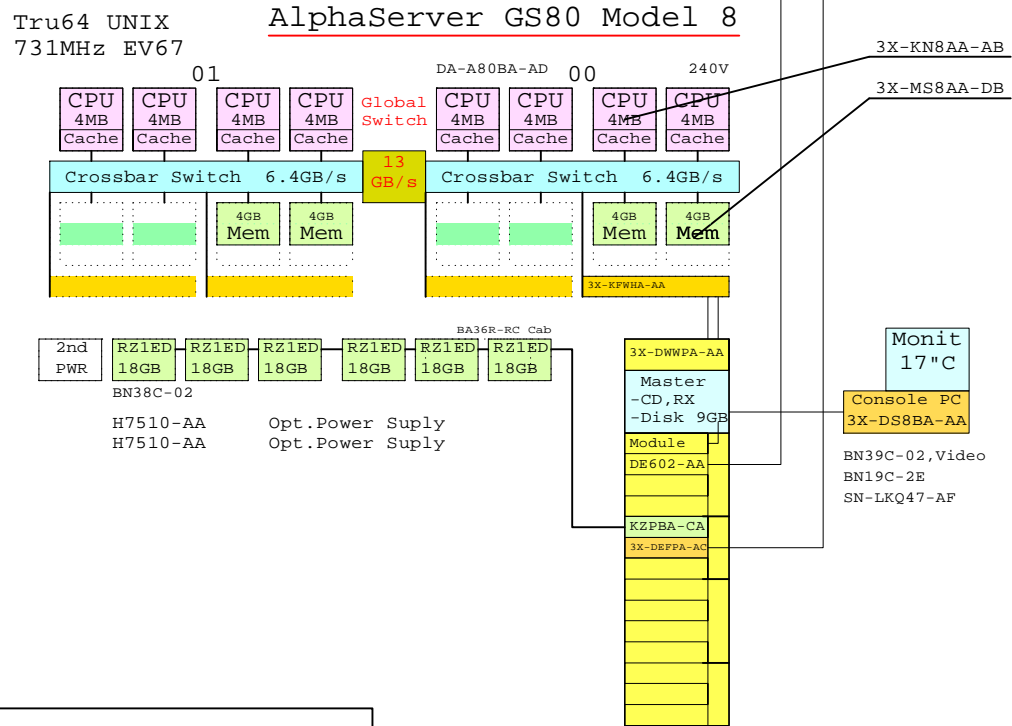
This template is included in the present GOLDEN EGGS Software kit.

GS80 UNIX

AlphaServer GS80 Tru64 UNIX System, 8xCPU, 16--64GB

Ethernet

FDDI



AlphaServer GS80

BOM for this system

	Part Number	Qty	Description
1	DA-A80BA-AD	1	AS GS80 M08 for 08 CPU 240V EU UNIX
1.1	3X-DEPPA-AC	1	PCI to FDDI SAS MMF with SC,Universal
1.2	3X-KN8AA-AB	7	CPU Module GS80 6/731MHz Tru64 UNIX
1.3	3X-MS8AA-DB	4	4GB AlphaServer GS320 Memory module
1.4	BA36R-RC	1	RH ULTRASCASI SHELF CAB SINGLE
1.4.1	CK-BA35X-HH	1	180W Stor.Shelf PWR for AS4x00
1.4.2	DS-RZ1ED-VW	6	18.2GB 10000r UltraSCSI disk
1.5	BN38C-02	1	Ultra Cbl VHDCI - 68HD
1.6	H7510-AA	2	Power Supply for AS GS80 Need: 1 or 2
1.7	KZPBA-CA	1	PCI to UltraSCSI Adapter UWSE
2	3R-VRQP7-24	1	COMPAQ P75 CLR MON,NH,TCO99
3	3X-DS8BA-AA	1	PC-based system console, tower, US
4	BN39C-02	1	1.8 Video Extension Cable ****
5	SN-LKQ47-AF	1	102 KEY KYBD, NON-WIN, Finnish
6	BN19C-2E	1	PowerCable 240V, C-Europe

www.Compaq.com/golden-eggs
Since: Sep-2000

COMPAQ	11-Sep-2000	GTAUGS802
	Matti.Patari@compaq.com	

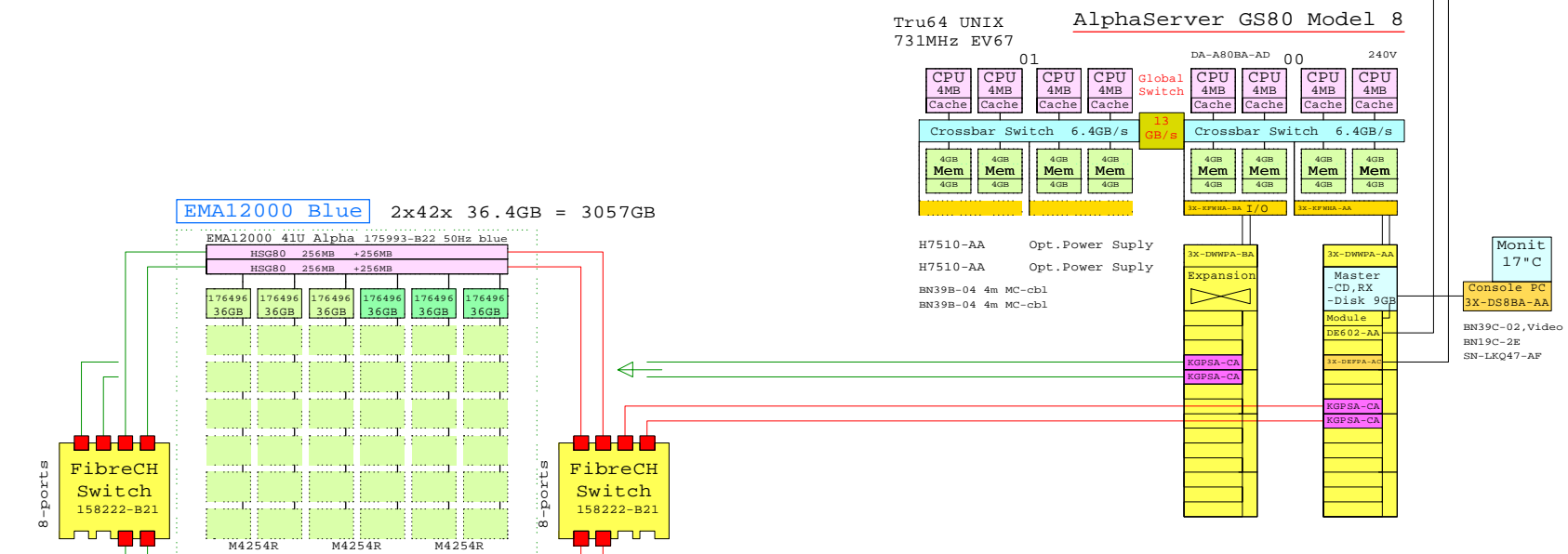
AlphaServer GS80 UNIX System
GOLDEN EGGS Visuals, Helsinki

This template is included in the present GOLDEN EGGS Software kit.

GS80 UNIX

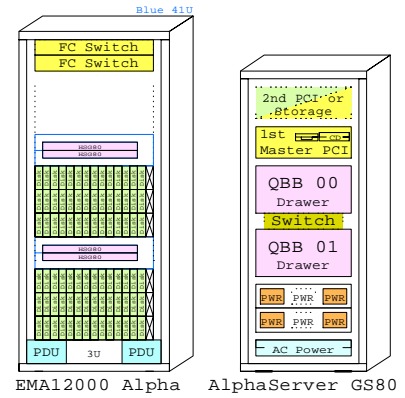
AlphaServer GS80 Tru64 UNIX System, 8xCPU, 64GB

Ethernet
FDDI



BOM of this system

Part Number	Qty	Description
3R-VROP7-24	1	COMPAQ P75 CLR MON,NH,TC099
3X-DEFFA-AC	1	PCI to FDDI SAS MMF with SC,Universal
3X-DS8BA-AA	1	PC-based system console, tower, US
3X-DWMPA-BA	1	PCI Shelf Expansion for GS160/320
3X-KFWHA-BA	1	I/O module for AS GS80, !! 2xCbl
3X-KNBAA-AB	7	CPU Module GS80 6/731MHz Tru64 UNIX
3X-MSBAA-DB	8	4GB AlphaServer GS320 Memory module
3X-MSBAA-DU	8	4GB AlphaServer GS320 Memory DIMM
128697-B21	4	ACS V8.5F controller FCAL/FCSW
135820-B21	1	Modula M2200 shelf, NO controller
135823-B21	1	HSGxx Single external cache battery
138151-B31	3	Modula M4254R dual buss, 7+7, 1.0"
158222-B21	2	SAN Switch 8 Ports
160407-B21	2	SAN switch redundant power supply
167365-B21	2	Rack mount kit for SAN switch
168256-B21	6	SCSI cable VHDCI-VHDCI, 1m
168794-B21	4	Host Buss Cntr KGPSA-CA,OVMS,UNIX
175993-B22	1	EMA12000 6x7 41U 50Hz blue
176496-B22	12	36GB 10000r Ultra3 SCSI disk 1"
176622-B21	4	HSG80 FC Contr with 256MB cache
234457-B21	8	Fibre Channel 02m Optical Cable
234457-B23	4	Fibre Channel 15m Optical Cable
380553-001	1	OS Platf,Softw,Kit for FC Alpha UNIX
380561-B21	12	FC Optical Short Wave GBIC
380674-B21	4	Cache Upg RA8k ESA12k 256MB
BN19C-2E	1	PowerCable 240V, C-Europe
BN39B-04	2	04m copper cbl for COMAB Mem.Chan
BN39C-02	1	1.8 Video Extension Cable ****
DA-A80BA-AD	1	AS GS80 Mob for 08 CPU 240V EU UNIX
H7510-AA	2	Power Supply for AS GS80 Need: 1 or 2
SN-LKQ47-AF	1	102 KEY KYBD, NON-WIN, Finnish



www.Compaq.com/golden-eggs
Since Sep-2000

COMPAQ 14-Sep-2000 GTAUGS803
Matti.Patari@compaq.com

GS80 UNIX AlphaServer GS80 UNIX System
GOLDEN EGGS Visuals, Helsinki

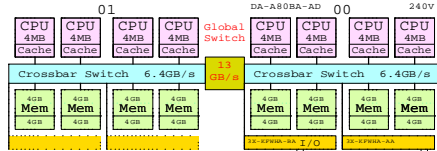
This template is included in the present GOLDEN EGGS Software kit.

Ethernet FDDI Ethernet FDDI

AlphaServer GS80 TruCluster

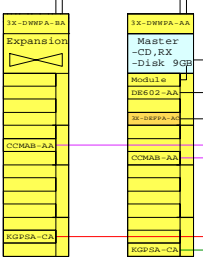
Tru64 UNIX 731MHz EV67

AlphaServer GS80 Model 8



H7510-AA Opt.Power Suply
H7510-AA Opt.Power Suply

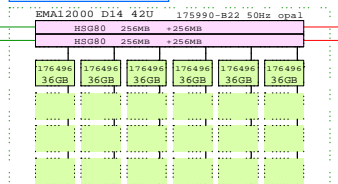
BN39B-04 4m MC-cbl
BN39B-04 4m MC-cbl



BOM of the shared Storage

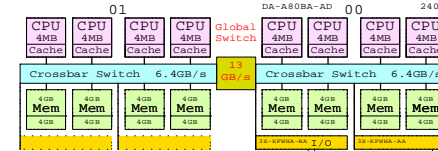
Part Number	Qty	Description
138697-B21	6	ACS V8 SF controller FCAL/FCSW
13523-B21	6	HS02x Single external cache battery
15822-B21	2	SAN Switch 8 Ports
160407-B21	2	SAN switch redundant power supply
167365-B21	2	Rack mount kit for SAN switch
175990-B22	1	EMA12000 D14 42U 50Hz opal
176496-B22	18	36GB 10000r Ultra3 SCSI disk 1"
176622-B21	6	HS080 FC Contr with 256MB cache
234457-B21	12	Fibre Channel 02m Optical Cable
234457-B23	4	Fibre Channel 15m Optical Cable
380553-001	1	OS Platf.Softw.Kit for FC Alpha UNIX
380561-B21	16	FC Optical Short Wave GBIC
380674-B21	6	Cache Upg RASK ESAL2K 256MB

EMA12000 D14 3x42x 36.4GB = 4586GB



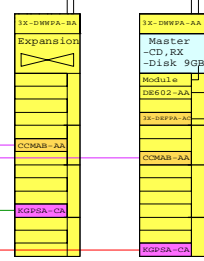
Tru64 UNIX 731MHz EV67

AlphaServer GS80 Model 8



H7510-AA Opt.Power Suply
H7510-AA Opt.Power Suply

BN39B-04 4m MC-cbl
BN39B-04 4m MC-cbl



Dual Memory Channel

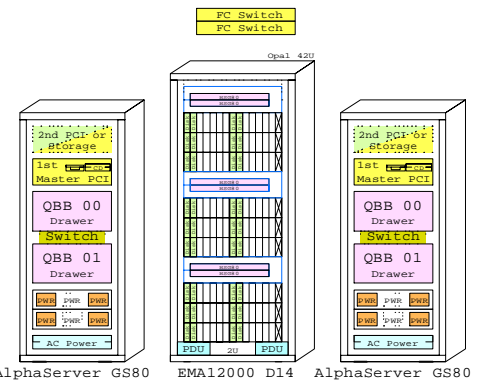
BOM of this GS80 TruCluster

Part Number	Qty	Description
1	1	175990-B22 1 EMA12000 D14 42U 50Hz opal
1.1	128697-B21	6 ACS V8 SF controller FCAL/FCSW
1.2	13523-B21	6 HS02x Single external cache battery
1.3	176496-B22	18 36GB 10000r Ultra3 SCSI disk 1"
1.4	176622-B21	1 HS080 FC Contr with 256MB cache
1.4.1	380674-B23	1 Cache Upg RASK ESAL2K 256MB
1.5	176622-B21	1 HS080 FC Contr with 256MB cache
1.5.1	380674-B21	1 Cache Upg RASK ESAL2K 256MB
1.6	176622-B21	1 HS080 FC Contr with 256MB cache
1.6.1	380674-B21	1 Cache Upg RASK ESAL2K 256MB
1.7	176622-B21	1 HS080 FC Contr with 256MB cache
1.7.1	380674-B21	1 Cache Upg RASK ESAL2K 256MB
1.8	176622-B21	1 HS080 FC Contr with 256MB cache
1.8.1	380674-B21	1 Cache Upg RASK ESAL2K 256MB
1.9	176622-B21	1 HS080 FC Contr with 256MB cache
1.9.1	380674-B21	1 Cache Upg RASK ESAL2K 256MB
2	DA-A80BA-AD	1 AS GS80 M08 for 08 CPU 240V RU UNIX
2.1	168794-B21	1 Host Bus Cntr KGPSA-CA,OVMS,UNIX
2.2	3X-DEPPA-AC	1 PCI to FDDI SAS MMF with SC,Universal
2.3	3X-DWPA-BA	1 PCI Shelf Expansion for GS160/320
2.3.1	168794-B21	1 Host Bus Cntr KGPSA-CA,OVMS,UNIX
2.3.2	CCMAB-AA	1 PCI Mem. Channel-2 Cluster cntrl
2.4	3X-KFWHA-BA	1 I/O module for AS GS80, 11 2xChbl
2.5	3X-KNSAA-AB	7 CPU Module GS80 6731MHz Tru64 UNIX
2.6	3X-MS8AA-DB	8 4GB AlphaServer GS320 Memory module
2.7	3X-MS8AA-DB	8 4GB AlphaServer GS320 Memory DIMM
2.8	BN39B-04	2 04m copper cbl for CCMAB Mem.Chan
2.9	CCMAB-AA	1 PCI Mem. Channel-2 Cluster cntrl
2.10	H7510-AA	2 Power Suply for AS GS80 Need: 1 or 2
3	DA-A80BA-AD	1 AS GS80 M08 for 08 CPU 240V RU UNIX
3.1	168794-B21	1 Host Bus Cntr KGPSA-CA,OVMS,UNIX
3.2	3X-DEPPA-AC	1 PCI to FDDI SAS MMF with SC,Universal
3.3	3X-DWPA-BA	1 PCI Shelf Expansion for GS160/320
3.3.1	168794-B21	1 Host Bus Cntr KGPSA-CA,OVMS,UNIX
3.3.2	CCMAB-AA	1 PCI Mem. Channel-2 Cluster cntrl
3.4	3X-KFWHA-BA	1 I/O module for AS GS80, 11 2xChbl
3.5	3X-KNSAA-AB	7 CPU Module GS80 6731MHz Tru64 UNIX
3.6	3X-MS8AA-DB	8 4GB AlphaServer GS320 Memory module
3.7	3X-MS8AA-DB	8 4GB AlphaServer GS320 Memory DIMM
3.8	BN39B-04	2 04m copper cbl for CCMAB Mem.Chan
3.9	CCMAB-AA	1 PCI Mem. Channel-2 Cluster cntrl
3.10	H7510-AA	2 Power Suply for AS GS80 Need: 1 or 2
4	15822-B21	1 SAN Switch 8 Ports
4.1	380561-B21	8 FC Optical Short Wave GBIC
5	15822-B21	1 SAN Switch 8 Ports
5.1	380561-B21	8 FC Optical Short Wave GBIC
6	3R-VR0P7-24	2 COMPAQ P75 CLR MON,NH,TC099
7	3X-DS8BA-AA	2 PC-based system console, tower, US
8	160407-B21	2 SAN switch redundant power supply
9	234457-B23	4 Fibre Channel 15m Optical Cable
10	167365-B21	2 Rack mount kit for SAN switch
11	234457-B21	12 Fibre Channel 02m Optical Cable
12	380553-001	1 OS Platf.Softw.Kit for FC Alpha UNIX
13	BN39B-10	2 10m copper cbl for CCMAB Mem.Chan
14	BN39C-02	2 1.8 Video Extension Cable ****
15	SN-LK047-AF	2 102 KEY KYBD,NON-WIN, Finnish
16	BN19C-2E	2 PowerCable 240V, C-Europe

234457-B23	O-Chbl 15m	234457-B23	O-Chbl 15m
234457-B21	O-Chbl 2m	234457-B21	O-Chbl 2m
234457-B21	O-Chbl 2m	234457-B21	O-Chbl 2m
234457-B21	O-Chbl 2m	234457-B21	O-Chbl 2m
234457-B21	O-Chbl 2m	234457-B21	O-Chbl 2m
234457-B21	O-Chbl 2m	234457-B21	O-Chbl 2m
234457-B21	O-Chbl 2m	234457-B21	O-Chbl 2m
234457-B21	O-Chbl 2m	234457-B21	O-Chbl 2m
160407-B21	2dn power	160407-B21	2dn power
167365-B21	Rack kit	167365-B21	Rack kit
M4254R	M4254R	M4254R	M4254R
135823-B21	Cache BB	128697-B21	ACS 8.5F
135823-B21	Cache BB	128697-B21	ACS 8.5F
135823-B21	Cache BB	128697-B21	ACS 8.5F
135823-B21	Cache BB	128697-B21	ACS 8.5F
135823-B21	Cache BB	128697-B21	ACS 8.5F
135823-B21	Cache BB	128697-B21	ACS 8.5F
135823-B21	Cache BB	128697-B21	ACS 8.5F
135823-B21	Cache BB	128697-B21	ACS 8.5F

BOM of one Host

Part Number	Qty	Description
168794-B21	2	Host Bus Cntr KGPSA-CA,OVMS,UNIX
3R-VR0P7-24	2	COMPAQ P75 CLR MON,NH,TC099
3X-DEPPA-AC	1	PCI to FDDI SAS MMF with SC,Universal
3X-DSBA-AA	1	PC-based system console, tower, US
3X-DWPA-BA	1	PCI Shelf Expansion for GS160/320
3X-KFWHA-BA	1	I/O module for AS GS80, 11 2xChbl
3X-KNSAA-AB	7	CPU Module GS80 6731MHz Tru64 UNIX
3X-MS8AA-DB	8	4GB AlphaServer GS320 Memory module
3X-MS8AA-DB	8	4GB AlphaServer GS320 Memory DIMM
BN19C-2E	1	PowerCable 240V, C-Europe
BN39B-04	2	04m copper cbl for CCMAB Mem.Chan
BN39C-02	1	1.8 Video Extension Cable ****
CCMAB-AA	2	PCI Mem. Channel-2 Cluster cntrl
DA-A80BA-AD	1	AS GS80 M08 for 08 CPU 240V RU UNIX
H7510-AA	2	Power supply for AS GS80 Need: 1 or 2
SN-LK047-AF	1	102 KEY KYBD,NON-WIN, Finnish



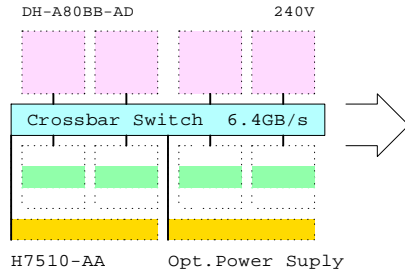
AlphaServer GS80 OpenVMS System

Ethernet

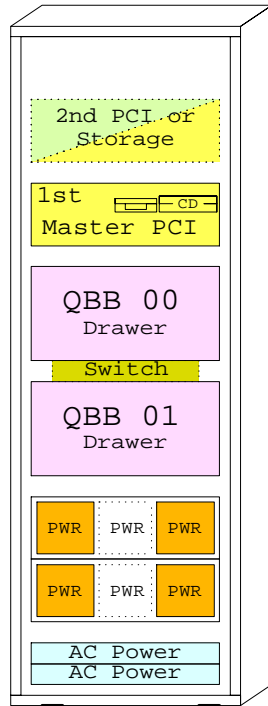
FDDI

BOM for M04 -> M08 upgrade

Part Number	Qty	Description
DH-A80BB-AD	1	1xQBB AlphaServer GS80 for 5-8 240V EU
H7510-AA	1	Power Supply for AS GS80 Need: 1 or 2



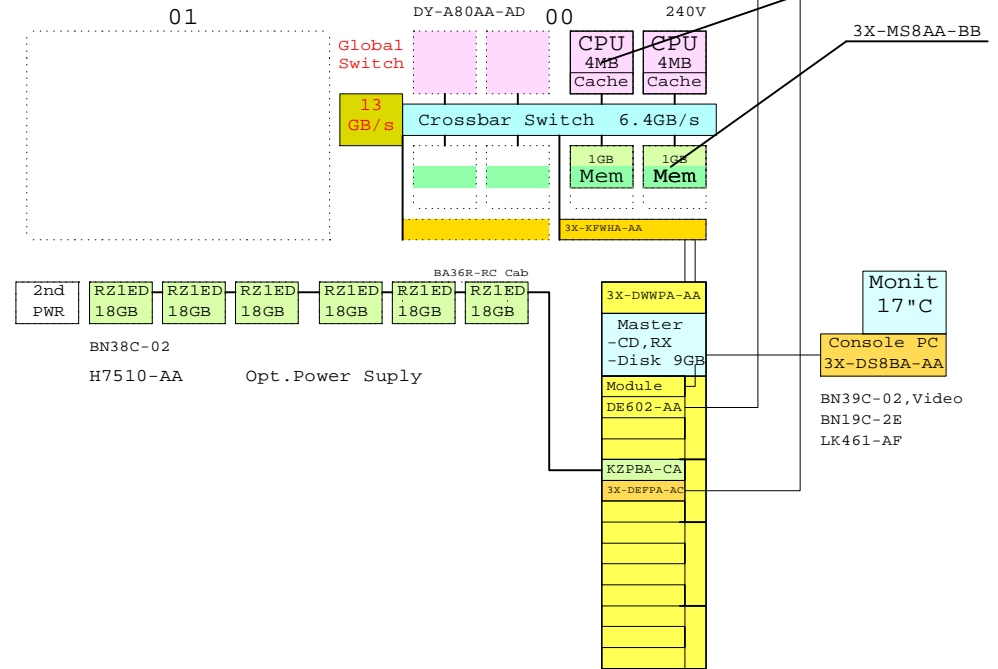
Field upgrade
second QBB



AlphaServer GS80

OpenVMS
731MHz EV67

AlphaServer GS80 Model 4



BOM for this M04 entry system

Part Number	Qty	Description
1	DY-A80AA-AD	1 AS GS80 M04 for 04 CPU 240V EU OVMS
1.1	3X-DEFFA-AC	1 PCI to FDDI SAS MMF with SC,Universal
1.2	3X-KN8AA-AC	1 CPU Module GS80 6/731MHz OpenVMS
1.3	3X-MS8AA-BB	2 1GB AlphaServer GS320 Memory module
1.4	BA36R-RC	1 RH ULTRASCSI SHELF CAB SINGLE
1.4.1	CK-BA35X-HH	1 180W Stor.Shelf PWR for AS4x00
1.4.2	DS-RZ1ED-VW	6 18.2GB 10000r UltraSCSI disk
1.5	BN38C-02	1 Ultra Cbl VHDCI - 68HD
1.6	H7510-AA	1 Power Supply for AS GS80 Need: 1 or 2
1.7	KZPBA-CA	1 PCI to UltraSCSI Adapter UWSE
2	3R-VRQP7-24	1 COMPAQ P75 CLR MON,NH,TCO99
3	3X-DS8BA-AA	1 PC-based system console, tower, US

www.Compaq.com/golden-eggs
Since: Sep-2000

COMPAQ	11-Sep-2000	GTA VGS801
	Matti.Patari@compaq.com	

AlphaServer GS80 OVMS System
GOLDEN EGGS Visuals, Helsinki

This template is included in the present GOLDEN EGGS Software kit.

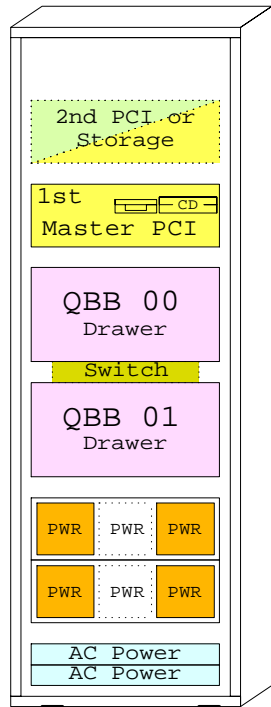
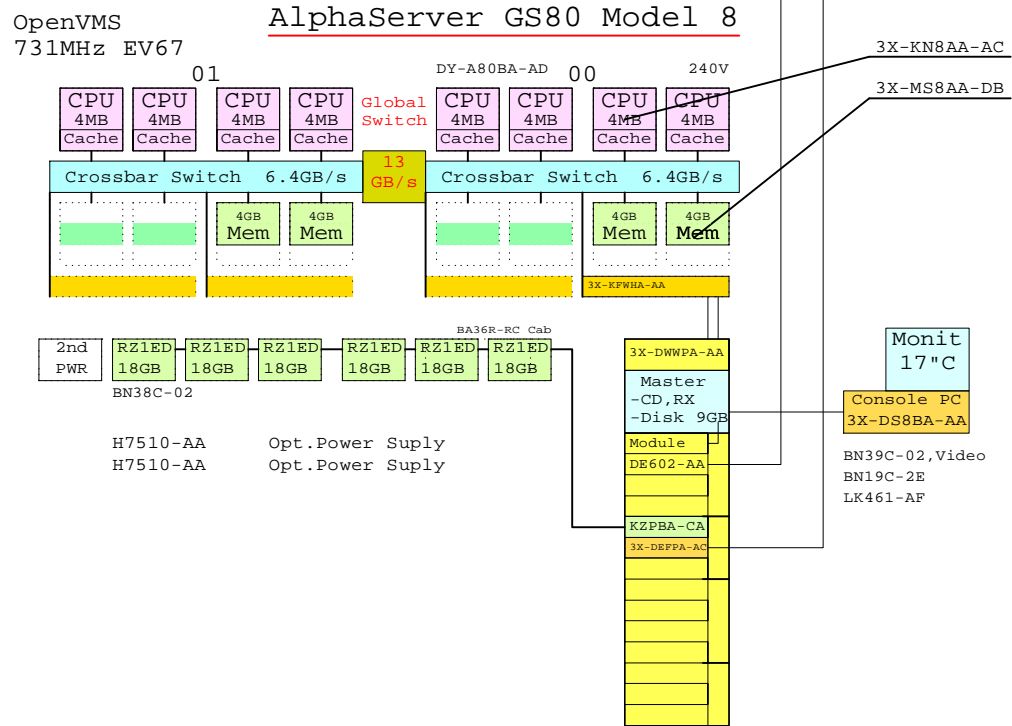
GS80

OVMS

AlphaServer GS80 OpenVMS System, 8xCPU, 16--64GB

Ethernet

FDDI



AlphaServer GS80

BOM for this system

	Part Number	Qty	Description
1	DY-A80BA-AD	1	AS GS80 M08 for 08 CPU 240V EU OVMS
1.1	3X-DEFPA-AC	1	PCI to FDDI SAS MMF with SC,Universal
1.2	3X-KN8AA-AC	7	CPU Module GS80 6/731MHz OpenVMS
1.3	3X-MS8AA-DB	4	4GB AlphaServer GS320 Memory module
1.4	BA36R-RC	1	RH ULTRASCASI SHELF CAB SINGLE
1.4.1	CK-BA35X-HH	1	180W Stor.Shelf PWR for AS4x00
1.4.2	DS-RZ1ED-VW	6	18.2GB 10000r UltraSCSI disk
1.5	BN38C-02	1	Ultra Cbl VHDCI - 68HD
1.6	H7510-AA	2	Power Suply for AS GS80 Need: 1 or 2
1.7	KZPBA-CA	1	PCI to UltraSCSI Adapter UWSE
2	3R-VRQP7-24	1	COMPAQ P75 CLR MON,NH,TC099
3	3X-DS8BA-AA	1	PC-based system console, tower, US

www.Compaq.com/golden-eggs
Since:Sep-2000

COMPAQ	11-Sep-2000	GTAVGS802
	Matti.Patari@compaq.com	

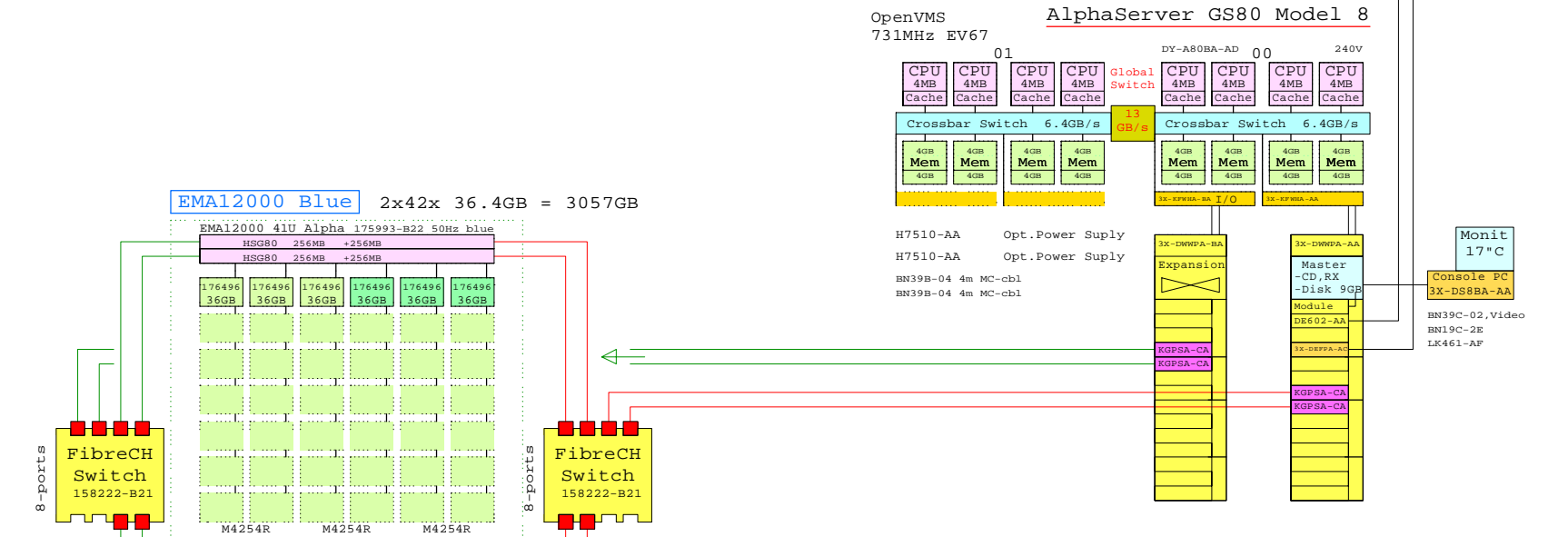
AlphaServer GS80 OVMS System
GOLDEN EGGS Visuals, Helsinki

This template is included in the present GOLDEN EGGS Software kit.

GS80 OVMS

AlphaServer GS80 OpenVMS System, 8xCPU, 64GB

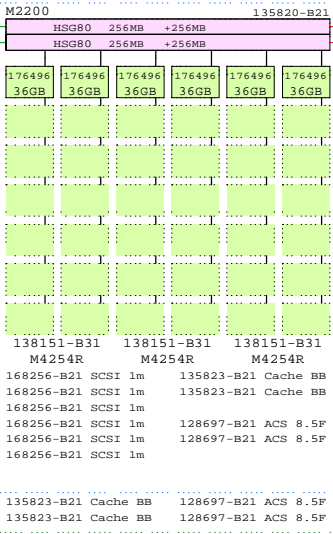
Ethernet
FDDI



BOM of this system

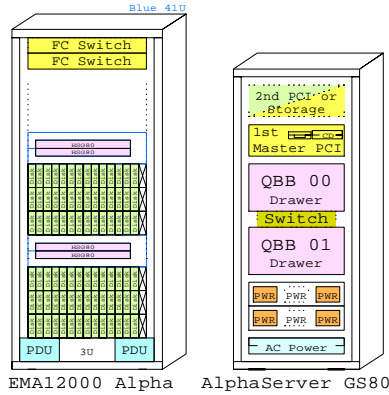
Part Number	Qty	Description
3R-VROP7-24	1	COMPAQ P75 CLR MON,NH,TCO99
3X-DEFFA-AC	1	PCI to FDDI SAS MMF with SC,Universal
3X-DSSBA-AA	1	PC-based system console, tower, US
3X-DWMPA-BA	1	PCI Shelf Expansion for GS160/320
3X-KFWHA-BA	1	I/O module for AS GS80, !! 2xCbl
3X-KNBAA-AC	7	CPU Module GS80 6/731MHz OpenVMS
3X-MSBAA-DB	8	4GB AlphaServer GS320 Memory module
3X-MSBAA-DU	8	4GB AlphaServer GS320 Memory DIMM
128697-B21	4	ACS V8.5F controller FCAL/PCSW
135820-B21	1	Modula M2200 shelf, NO controller
135823-B21	4	HSGxx Single external cache battery
138151-B31	3	Modula M4254R dual buss, 7+7, 1.0"
158222-B21	2	SAN Switch 8 Ports
160407-B21	2	SAN switch redundant power supply
167365-B21	2	Rack mount kit for SAN switch
168256-B21	6	SCSI cable VHDCI-VHDCI, 1m
168794-B21	4	Host Buss Cntr KGPSA-CA,OVMS,UNIX
175993-B22	1	EMA12000 6x7 41U 50Hz blue
176496-B22	12	36GB 10000r Ultra3 SCSI disk 1"
176622-B21	4	HSG80 FC Contr with 256MB cache
234457-B21	8	Fibre Channel 02m Optical Cable
234457-B23	4	Fibre Channel 15m Optical Cable
380555-001	1	OS Platf,Softw,Kit for FC Alpha OVMS
380561-B21	12	FC Optical Short Wave GBIC
380674-B21	4	Cache Upgr RA8k ESA12k 256MB
BN19C-2E	1	PowerCable 240V, C-Europe
BN39B-04	2	04m copper cbl for COMAB Mem.Chan
BN39C-02	1	1.8 Video Extension Cable ****
DY-A80BA-AD	1	AS GS80 M08 for 08 CPU 240V EU OVMS
H7510-AA	2	Power Supply for AS GS80 Need: 1 or 2
LK461-AF	1	VMS STYLE KEYBOARD, Fin/Swed

234457-B23 O-Cbl 15m
234457-B23 O-Cbl 15m
234457-B21 O-Cbl 2m
234457-B21 O-Cbl 2m
234457-B21 O-Cbl 2m
234457-B21 O-Cbl 2m
160407-B21 2dn power
167365-B21 Rack kit



Host kit: OpenVMS
380555-001 Alp/OVMS

234457-B23 O-Cbl 15m
234457-B23 O-Cbl 15m
234457-B21 O-Cbl 2m
234457-B21 O-Cbl 2m
234457-B21 O-Cbl 2m
234457-B21 O-Cbl 2m
160407-B21 2dn power
167365-B21 Rack kit



EMA12000 Alpha AlphaServer GS80

www.Compaq.com/golden-eggs
Since Sep-2000

COMPAQ 14-Sep-2000 GTAVGS803
Matti.Patari@compaq.com

GS80 OVMS

AlphaServer GS80 OpenVMS System
GOLDEN EGGS Visuals, Helsinki

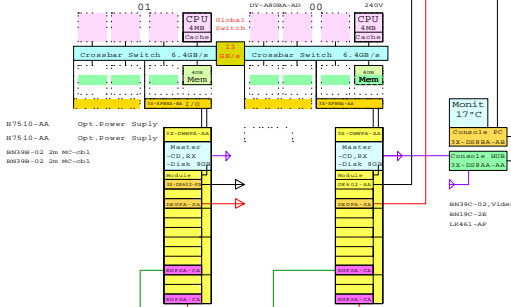
Ethernet
GigaBitEthernet

AlphaServer GS80 OpenVMS system, 8xCPU, 64GB

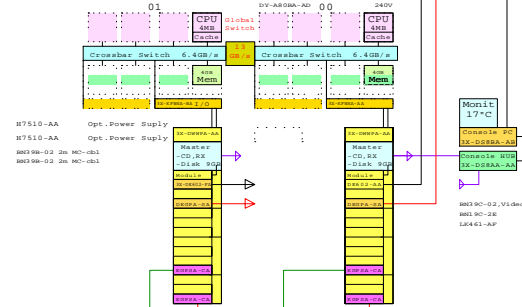
Ethernet
GigaBitEthernet

AlphaServer GS80 OpenVMS system, 8xCPU, 64GB

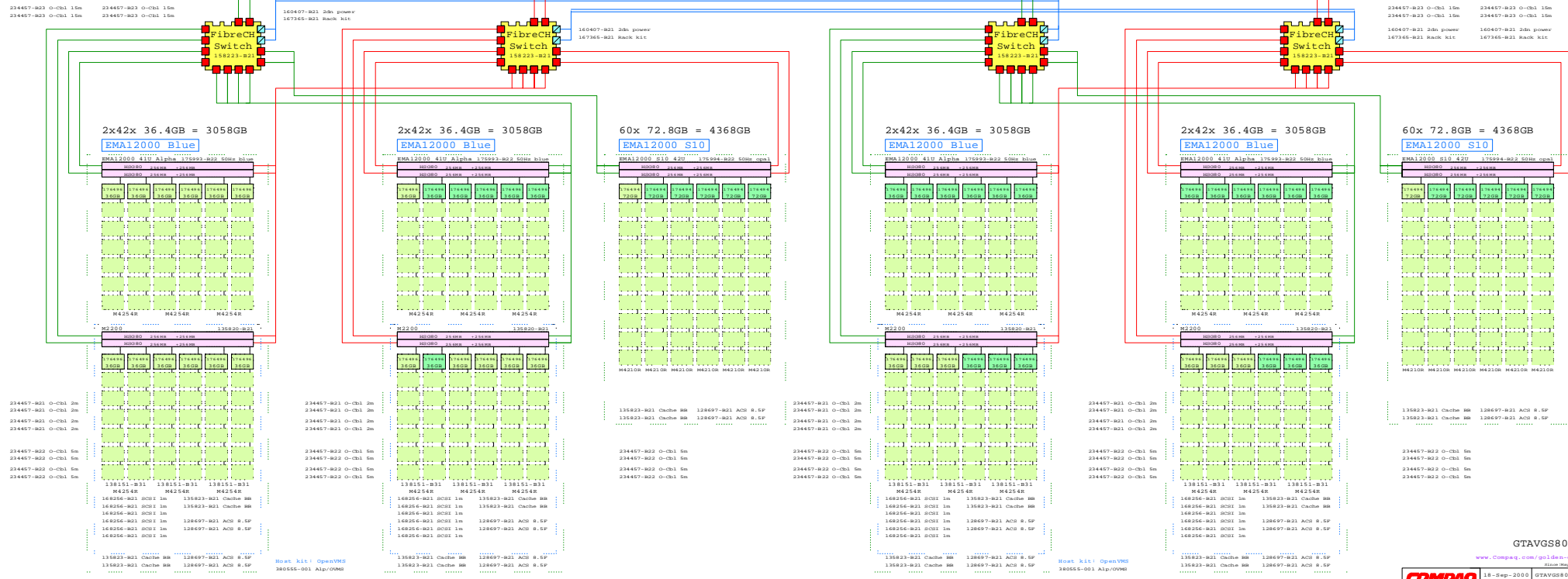
OpenVMS 7.31MHz EV67 AlphaServer GS80 Model 8



OpenVMS 7.31MHz EV67 AlphaServer GS80 Model 8

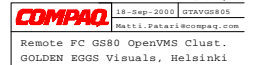


FC < 10km



GTAVGS805

www.compaq.com/golden-eggs
18-Sep-2000 GTAVGS805
Matt.L.Pataki@compaq.com



This template is included in the present GOLDEN EGGS Software kit.

GS80 OVMS

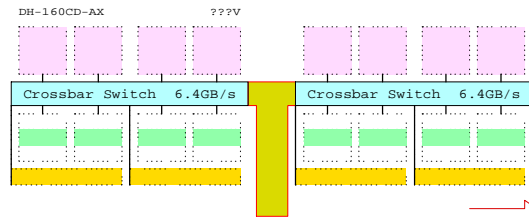
Remote FC GS80 OpenVMS Clust.
GOLDEN EGGS Visuals, Helsinki

AlphaServer GS160 67/731 Systems

Tru64 UNIX or
OpenVMS
731MHz EV67

AlphaServer GS160 Model 8

Upgrade: M8 -> M16



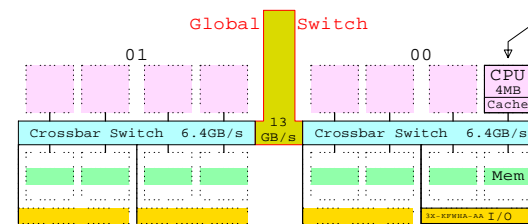
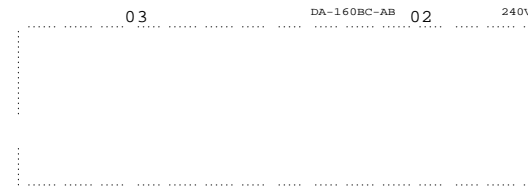
AlphaServer GS160 Model 8

DA-160BC-AA/AB Model 8 Tru64 UNIX
DY-160BC-AA/AB Model 8 OpenVMS
208/416V

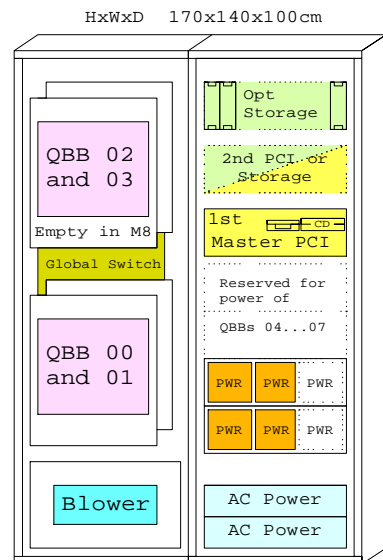
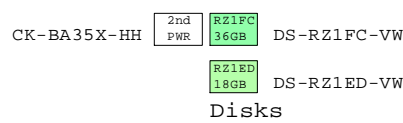
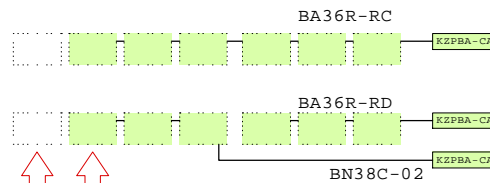
AlphaServer GS160 Model 16

DA-160CC-AA/AB Model 16 Tru64 UNIX
DY-160CC-AA/AB Model 16 OpenVMS
208/416V

Field upgrade 02-03 QBB
DH-160CD-AX



Storage Shelves, 1-2



AlphaServer GS160

GS160

BN25G-07

One CPU included

3X-KN8AA-AD UNIX
CPU 4MB Cache
3X-KN8AA-AE OpenVMS

Memory Upgrade
1GB Mem Mem: 1GB

3X-MS8AA-BB 1GB Module
3X-MS8AA-BU 1GB DIMM

3X-MS8AA-CB 2GB Module
3X-MS8AA-CU 2GB DIMM

3X-MS8AA-DB 4GB Module
3X-MS8AA-DU 4GB DIMM

3R-VRQP7-24

Monit 17" C
Console PC 3X-DS8BA-AA
Console HUB 3X-DS8AA-AA
3X-DS8BA-AA/AB Hub for 2nd partition
3X-DS8AA-AA Hub for 2nd partition

BN39C-02, Video
BN19C-2E
SN-LKQ47-AF

Licenses included:

- Tru64 UNIX V4.0G, Base license, Unlimited User license, Server Extension license, and Internet Solutions Software license and Netscape's Enterprise Server 3.0.
- OpenVMS V7.2-1H1 Base license and Enterprise Integration Package V3.0.

@731MHz
SPECint95 -
SPECfp95 -
SPECweb96 -
TPC -

Software Processor Code: Q

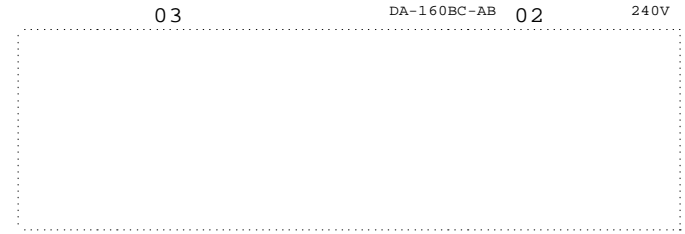
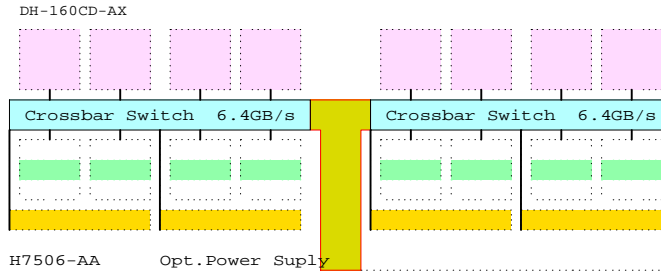
COMPAQ	12-Sep-2000	GEAGS1601
	Matti.Patari@compaq.com	

AlphaServer GS160 M16 System
GOLDEN EGGS Visuals, Helsinki

AlphaServer GS160 Tru64 UNIX System

Ethernet
FDDI

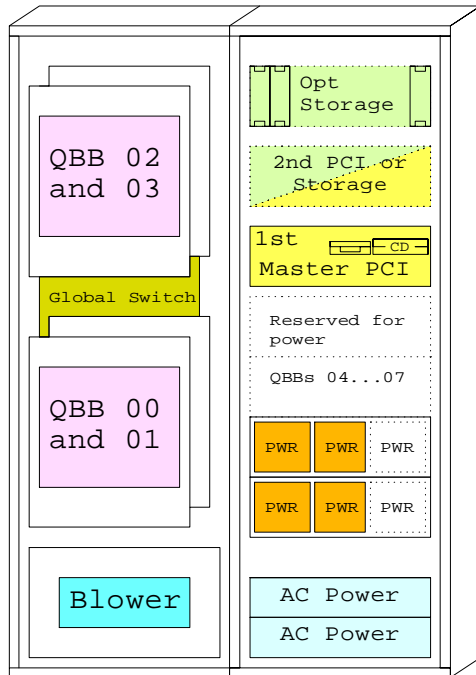
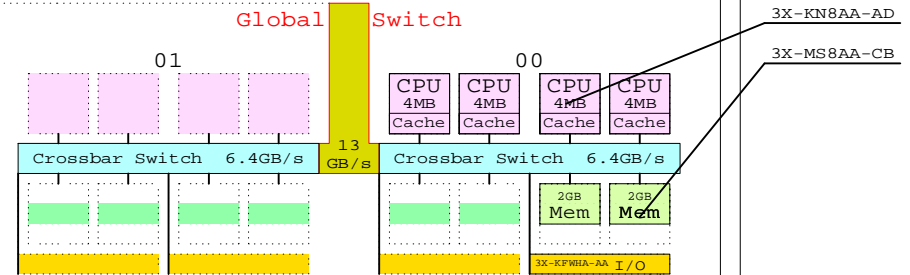
Tru64 UNIX 731MHz EV67
AlphaServer GS160 Model 8



Field upgrade,
02-03 QBB

BOM for this M08--M16 upgrade

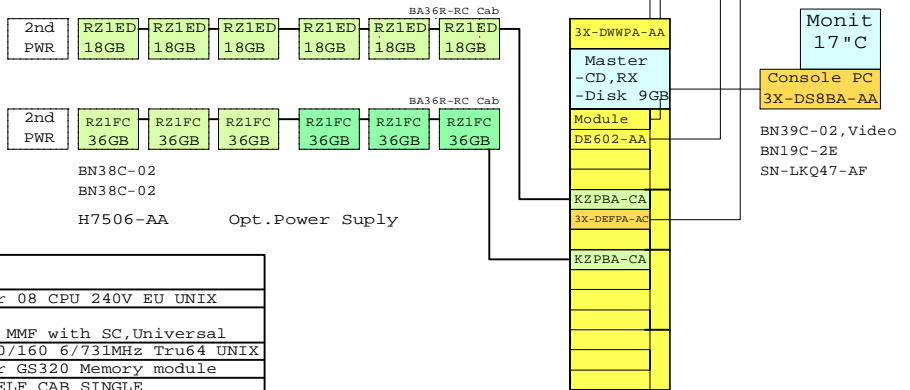
Part Number	Qty	Description
1	1	DH-160CD-AX 2xQBB AlphaServer GS160 upg. 08->16
1.1	1	H7506-AA Power Supply for AS GS160/320 Need: 1-4



AlphaServer GS160

BOM for this M08 entry system

Part Number	Qty	Description
1	1	DA-160BC-AB 1 AS GS160 M08 for 08 CPU 240V EU UNIX
1.1	1	3X-DEFFA-AC 1 PCI to FDDI SAS MMF with SC,Universal
1.2	3	3X-KN8AA-AD 3 CPU Module GS320/160 6/731MHz Tru64 UNIX
1.3	2	3X-MS8AA-CB 2 2GB AlphaServer GS320 Memory module
1.4	1	BA36R-RC 1 RH ULTRASCASI SHELF CAB SINGLE
1.4.1	1	CK-BA35X-HH 1 180W Stor.Shelf PWR for AS4x00
1.4.2	6	DS-RZ1FC-VW 6 36GB 10000r UltraSCASI Disk
1.5	1	BA36R-RC 1 RH ULTRASCASI SHELF CAB SINGLE
1.5.1	1	CK-BA35X-HH 1 180W Stor.Shelf PWR for AS4x00
1.5.2	6	DS-RZ1ED-VW 6 18.2GB 10000r UltraSCASI disk
1.6	2	BN38C-02 2 Ultra Cbl VHDCI - 68HD
1.7	1	H7506-AA 1 Power Supply for AS GS160/320 Need: 1-4
1.8	2	KZPBA-CA 2 PCI to UltraSCASI Adapter UWSE
2	1	3R-VROP7-24 1 COMPAQ P75 CLR MON,NH,TCO99
3	1	3X-DS8BA-AA 1 PC-based system console, tower, US
4	1	BN39C-02 1 1.8 Video Extension Cable ****
5	1	SN-LKQ47-AF 1 102 KEY KYBD,NON-WIN, Finnish
6	1	BN19C-2E 1 PowerCable 240V, C-Europe



www.Compaq.com/golden-eggs
Since: May-2000

COMPAQ	11-Sep-2000	GTAUGS1601
	Matti.Patari@compaq.com	

AlphaServer GS160 UNIX System
GOLDEN EGGS Visuals, Helsinki

This template is included in the present GOLDEN EGGS Software kit.

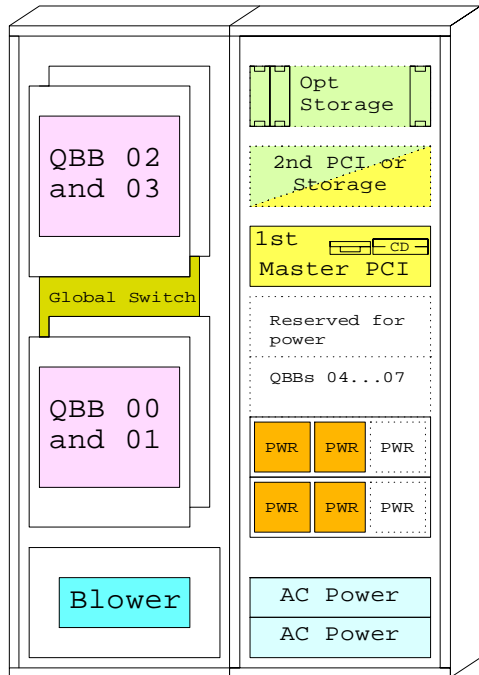
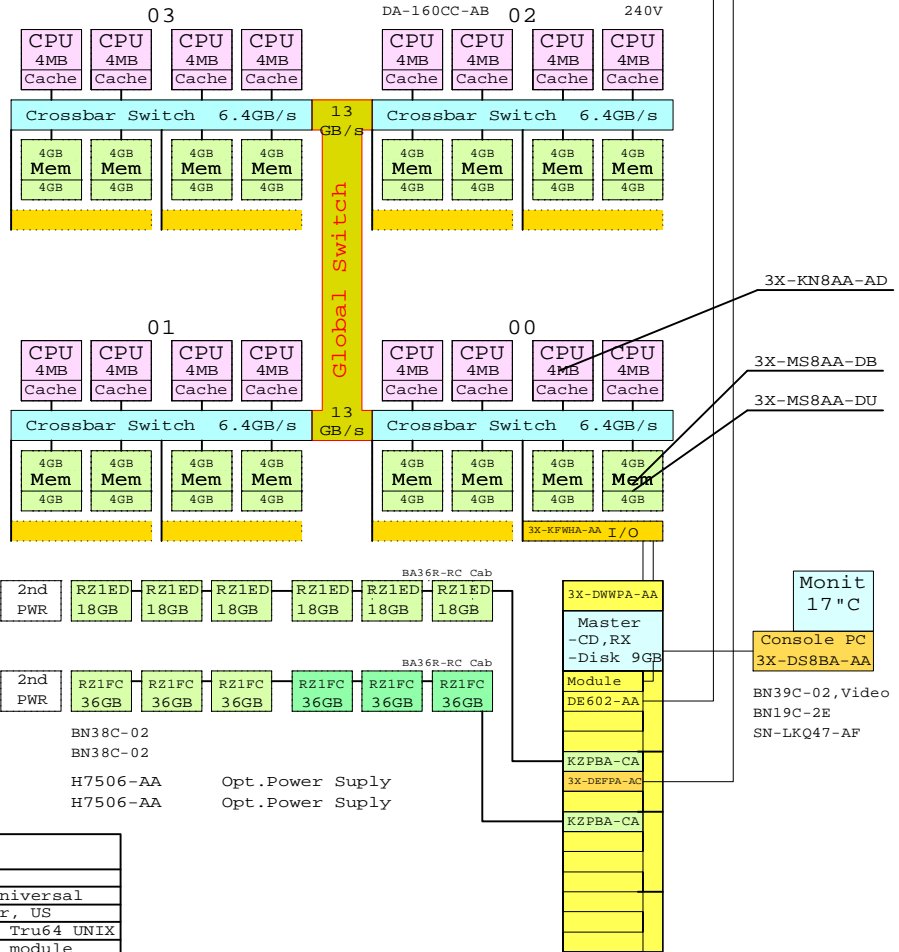
GS160 UNIX

AlphaServer GS160 Tru64 UNIX System, 16xCPU, 128GB

Ethernet

FDDI

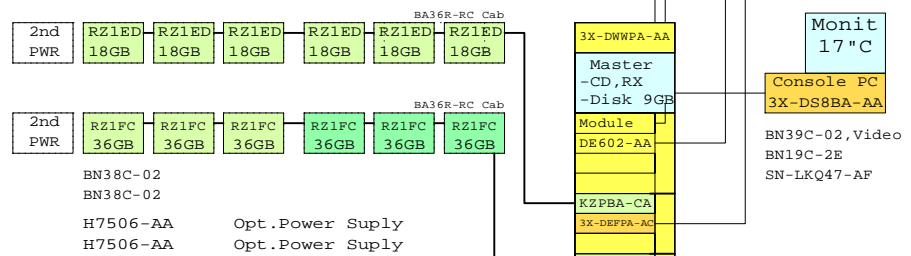
Tru64 UNIX AlphaServer GS160 Model 16
731MHz EV67



AlphaServer GS160

BOM for this system

Part Number	Qty	Description
3R-VRQP7-24	1	COMPAQ P75 CLR MON,NH,TCO99
3X-DEFFPA-AC	1	PCI to FDDI SAS MMF with SC,Universal
3X-DS8BA-AA	1	PC-based system console, tower, US
3X-KN8AA-AD	15	CPU Module GS320/160 6/731MHz Tru64 UNIX
3X-MS8AA-DB	16	4GB AlphaServer GS320 Memory module
3X-MS8AA-DU	16	4GB AlphaServer GS320 Memory DIMM
BA36R-RC	2	RH ULTRASCSI SHELF CAB SINGLE
BN19C-2E	1	PowerCable 240V, C-Europe
BN38C-02	2	Ultra Cbl VHDCI - 68HD
BN39C-02	1	1.8 Video Extension Cable ****
CK-BA35X-HH	2	180W Stor.Shelf PWR for AS4x00
DA-160CC-AB	1	AS GS160 M16 for 16 CPU 240V EU UNIX
DS-RZ1ED-VW	6	18.2GB 10000r UltraSCSI disk
DS-RZ1FC-VW	6	36GB 10000r UltraSCSI Disk
H7506-AA	2	Power Supply for AS GS160/320 Need: 1-4
KZPBA-CA	2	PCI to UltraSCSI Adapter UWSE
SN-LKQ47-AF	1	102 KEY KYBD,NON-WIN, Finnish



www.Compaq.com/golden-eggs
Since May-2000

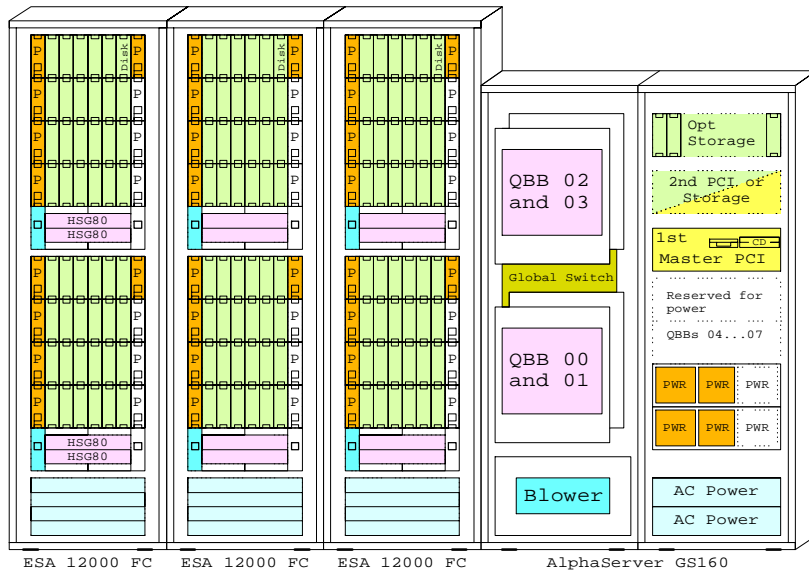
COMPAQ	11-Sep-2000	GTAUGS1602
	Matti.Patari@compaq.com	

This template is included in the present GOLDEN EGGS Software kit.

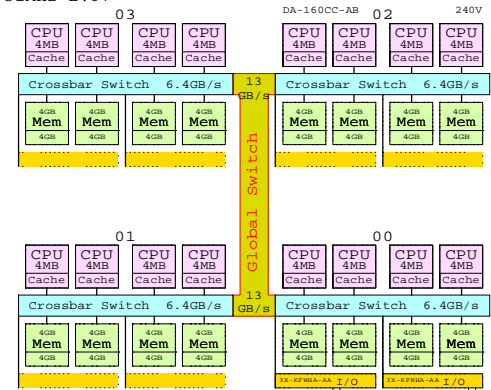
GS160 UNIX

AlphaServer GS160 UNIX System
GOLDEN EGGS Visuals, Helsinki

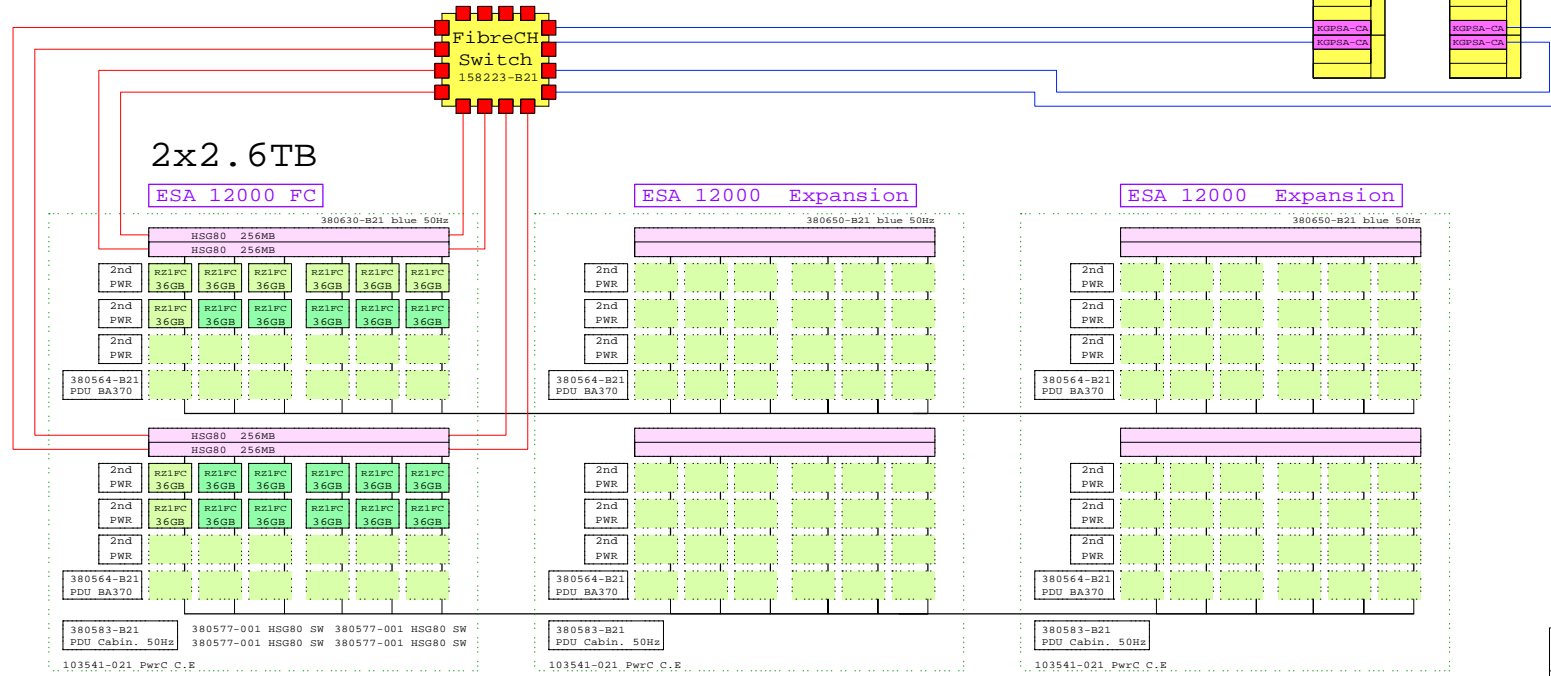
Ethernet
FDDI



Tru64 UNIX AlphaServer GS160 Model 16
731MHz EV67



- H7506-AA Opt.Power Suply
- H7506-AA Opt.Power Suply
- BN39B-04 4m MC-cbl
- BN39B-04 4m MC-cbl
- 3X-DWPA-AA Expansion
- 3X-DWPA-AA Master -CD, RX -Disk 9Gb
- Module DE602-AA
- 3X-DEPPA-AA
- 3X-SPMA-AA I/O
- 3X-SPMA-AA I/O
- Monit 17°C
- Console PC 3X-DS8BA-AA
- BN19C-02.Video
- BN19C-2E
- SN-LKQ47-AP



www.Compaq.com/golden-eggs
Since May-2000

COMPAQ 12-Sep-2000 GTAUGS1603
Matti.Patari@compaq.com

Ethernet
FDDI

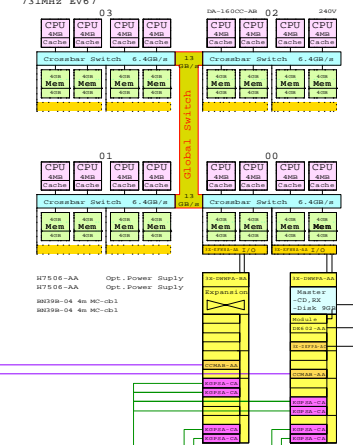
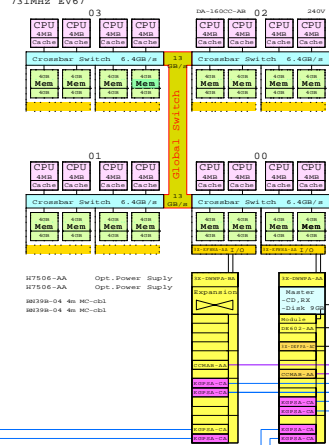
AlphaServer GS160 Tru64 UNIX System, 16xCPU, 128GB

AlphaServer GS160 Tru64 UNIX System, 16xCPU, 128GB

Ethernet
FDDI

Tru64 UNIX AlphaServer GS160 Model 16
731MHz EV67

Tru64 UNIX AlphaServer GS160 Model 16
731MHz EV67



Dual Memory Channel



2x2.6TB
ESA 12000 FC

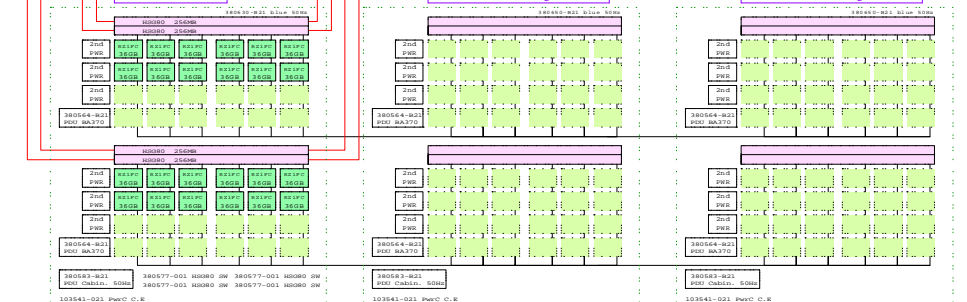
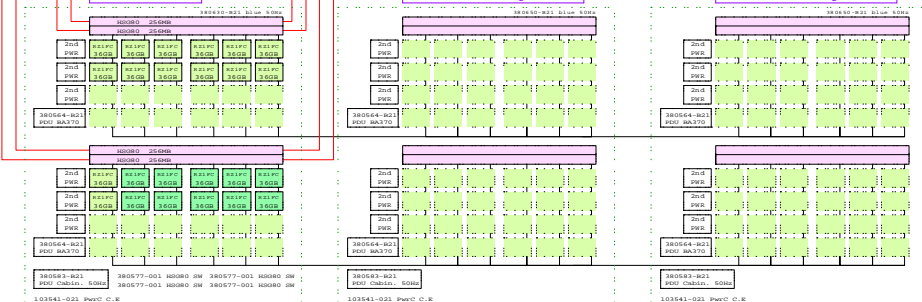
ESA 12000 Expansion

ESA 12000 Expansion

2x2.6TB
ESA 12000 FC

ESA 12000 Expansion

ESA 12000 Expansion

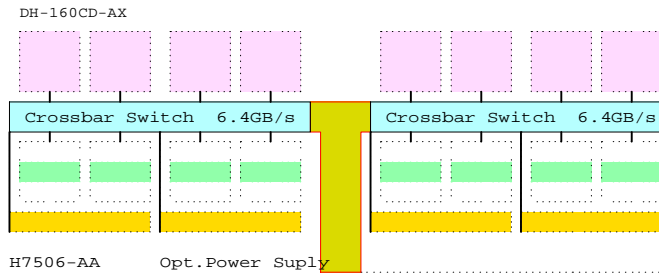


AlphaServer GS160 OpenVMS System

Ethernet
FDDI

OpenVMS
731MHz EV67

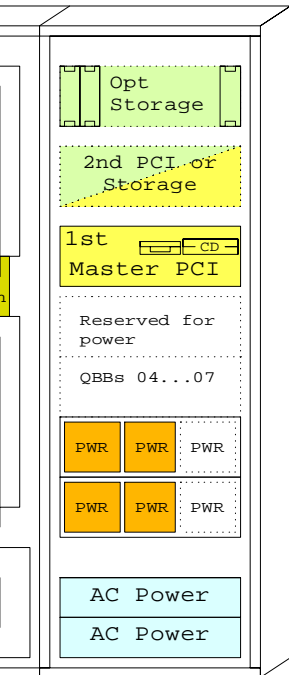
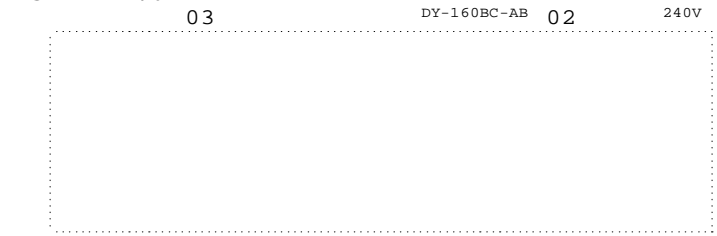
AlphaServer GS160 Model 8



Field upgrade,
02-03 QBB

BOM for this M08--M16 upgrade

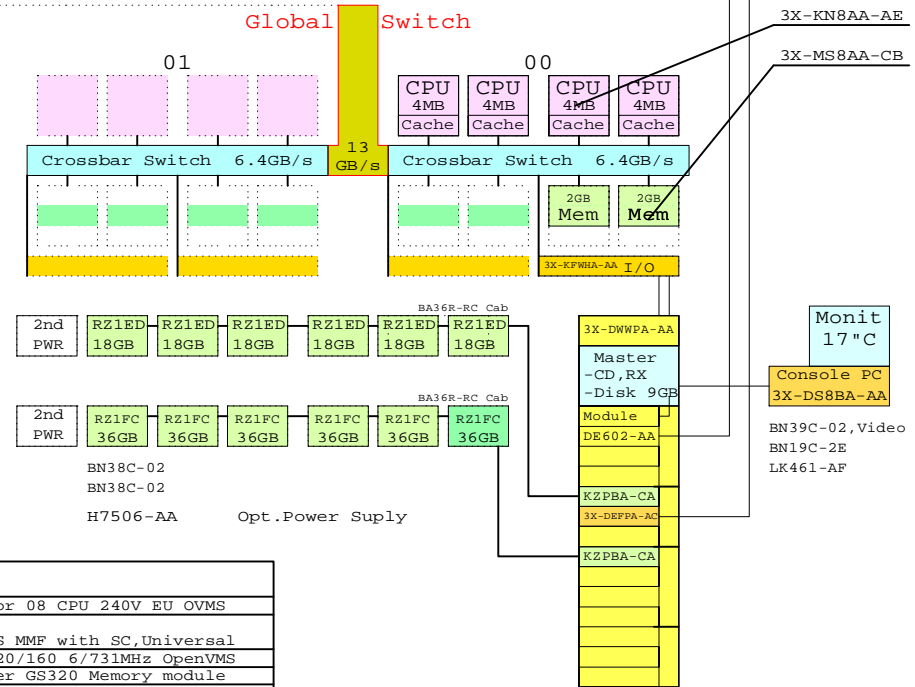
Part Number	Qty	Description
1	1	DH-160CD-AX 2xQBB AlphaServer GS160 upg. 08->16
1.1	1	H7506-AA 1 Power Supply for AS GS160/320 Need: 1-4



AlphaServer GS160

BOM for this system

Part Number	Qty	Description
1	1	DY-160BC-AB 1 AS GS160 M08 for 08 CPU 240V EU OVMS
1.1	1	3X-DEFFA-AC 1 PCI to FDDI SAS MMF with SC,Universal
1.2	3	3X-KN8AA-AE 3 CPU Module GS320/160 6/731MHz OpenVMS
1.3	2	3X-MS8AA-CB 2 2GB AlphaServer GS320 Memory module
1.4	1	BA36R-RC 1 RH ULTRASCSI SHELF CAB SINGLE
1.4.1	1	CK-BA35X-HH 1 180W Stor.Shelf PWR for AS4x00
1.4.2	6	DS-RZ1FC-VW 6 36GB 10000r UltraSCSI Disk
1.5	1	BA36R-RC 1 RH ULTRASCSI SHELF CAB SINGLE
1.5.1	1	CK-BA35X-HH 1 180W Stor.Shelf PWR for AS4x00
1.5.2	6	DS-RZ1ED-VW 6 18.2GB 10000r UltraSCSI disk
1.6	2	BN38C-02 2 Ultra Cbl VHDCI - 68HD
1.7	1	H7506-AA 1 Power Supply for AS GS160/320 Need: 1-4
1.8	2	KZPBA-CA 2 PCI to UltraSCSI Adapter UWSE
2	1	3R-VRQP7-24 1 COMPAQ P75 CLR MON,NH,TCO99
3	1	3X-DS8BA-AA 1 PC-based system console, tower, US
4	1	BN39C-02 1 1.8 Video Extension Cable ****
5	1	BN19C-2E 1 PowerCable 240V, C-Europe
6	1	LK461-AF 1 VMS STYLE KEYBOARD, Fin/Swed



Monit
17" C

Console PC
3X-DS8BA-AA

BN39C-02, Video
BN19C-2E
LK461-AF

www.Compaq.com/golden-eggs
Since: May-2000

COMPAQ	11-Sep-2000	GTAVGS1601
	Matti.Patari@compaq.com	

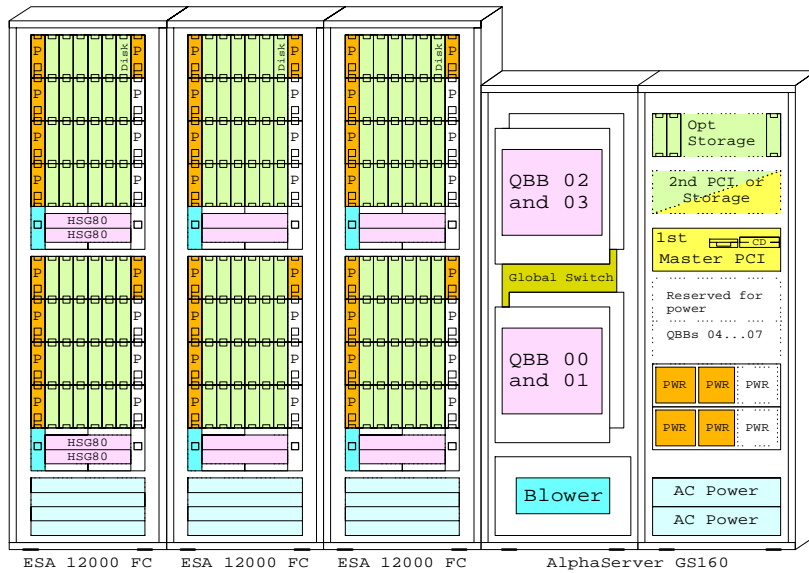
AlphaServer GS160 OVMS System
GOLDEN EGGS Visuals, Helsinki

This template is included in the present GOLDEN EGGS Software kit.

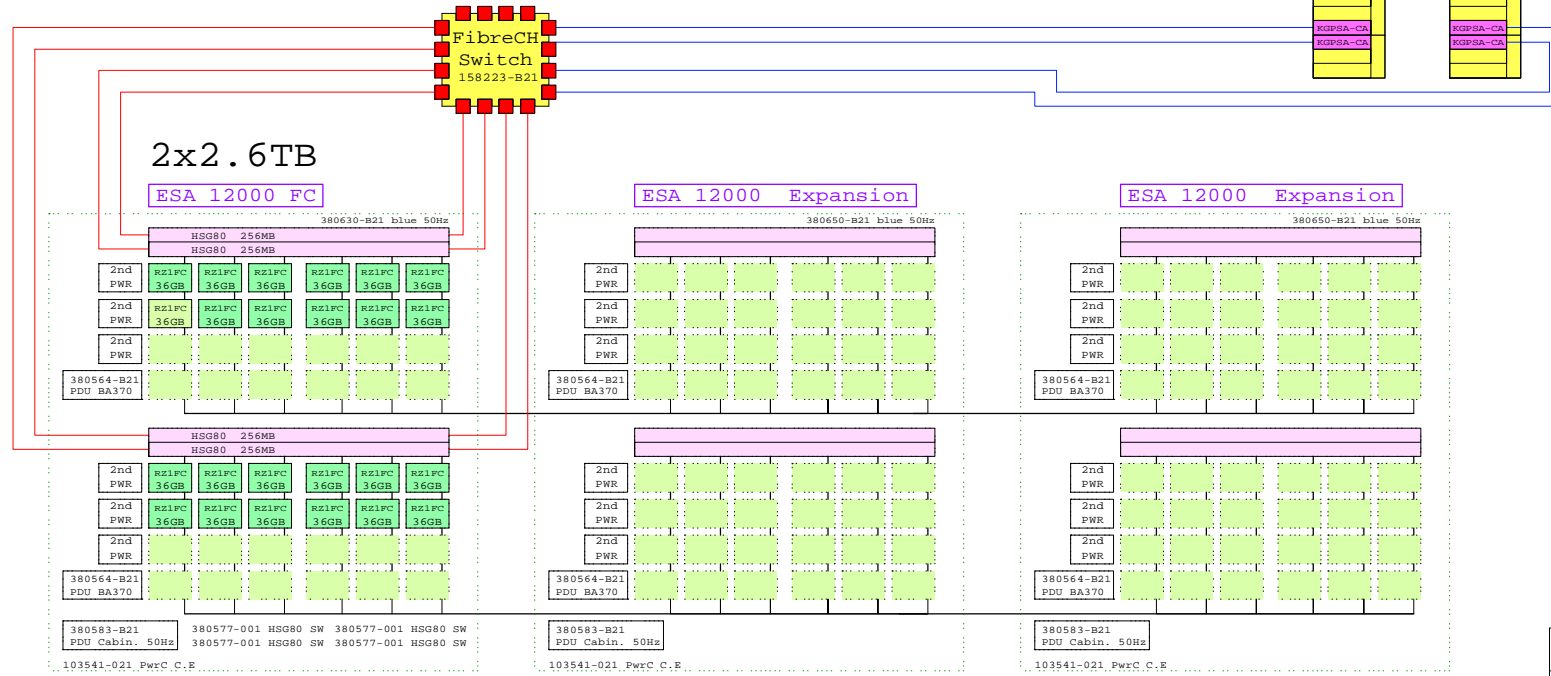
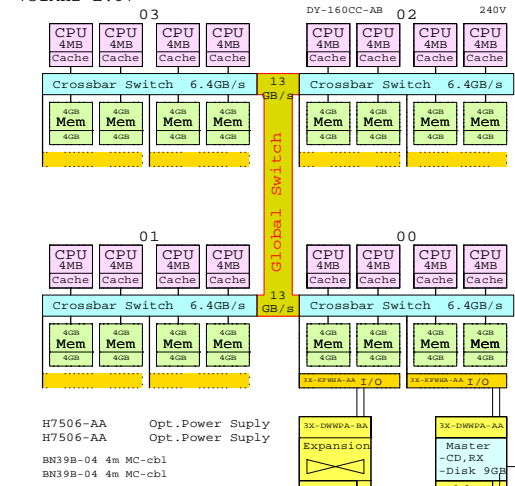
GS160 OVMS

AlphaServer GS160 OpenVMS System, 16xCPU, 128GB

Ethernet
FDDI



OpenVMS AlphaServer GS160 Model 16
731MHz EV67



www.Compaq.com/golden-eggs
Since May-2000

COMPAQ 12-Sep-2000 GTAVGS1603
Matti.Patari@compaq.com

This template is included in the present GOLDEN EGGS Software kit.

GS160 OVMS

AlphaServer GS160 OVMS System
GOLDEN EGGS Visuals, Helsinki

AlphaServer GS160 OpenVMS Cluster

Ethernet
FDDI

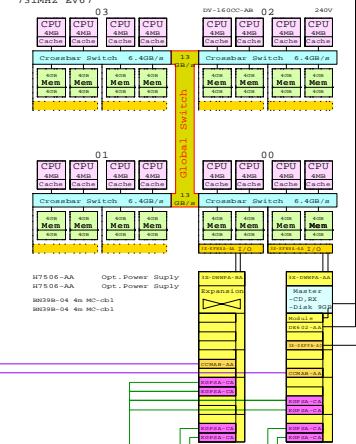
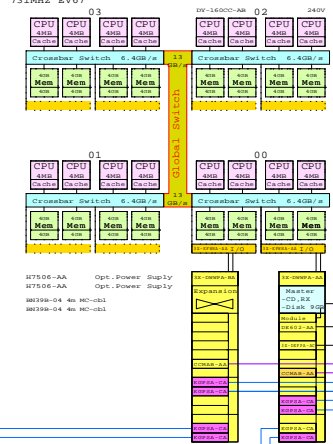
AlphaServer GS160 OpenVMS System, 16xCPU, 128GB

AlphaServer GS160 OpenVMS System, 16xCPU, 128GB

Ethernet
FDDI

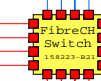
OpenVMS AlphaServer GS160 Model 16

OpenVMS AlphaServer GS160 Model 16



Dual Memory Channel

H8398-10 10m MC-0b1
H8398-10 10m MC-0b1



2x2.6TB
ESA 12000 FC

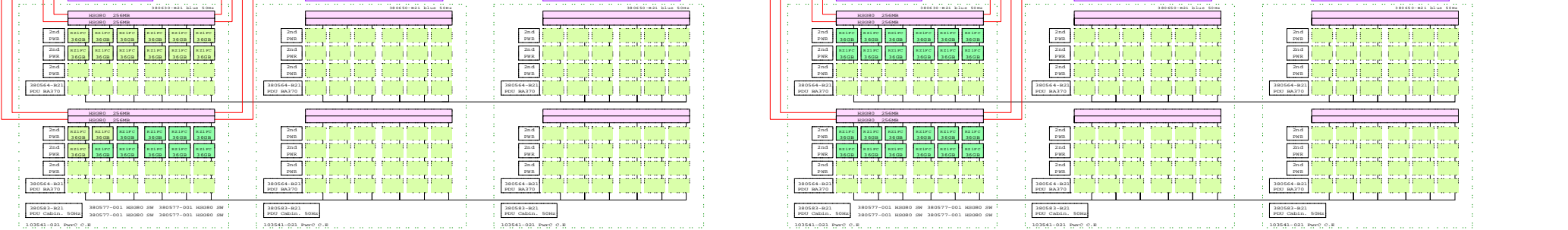
ESA 12000 Expansion

ESA 12000 Expansion

2x2.6TB
ESA 12000 FC

ESA 12000 Expansion

ESA 12000 Expansion



40571-001 OpenVMS

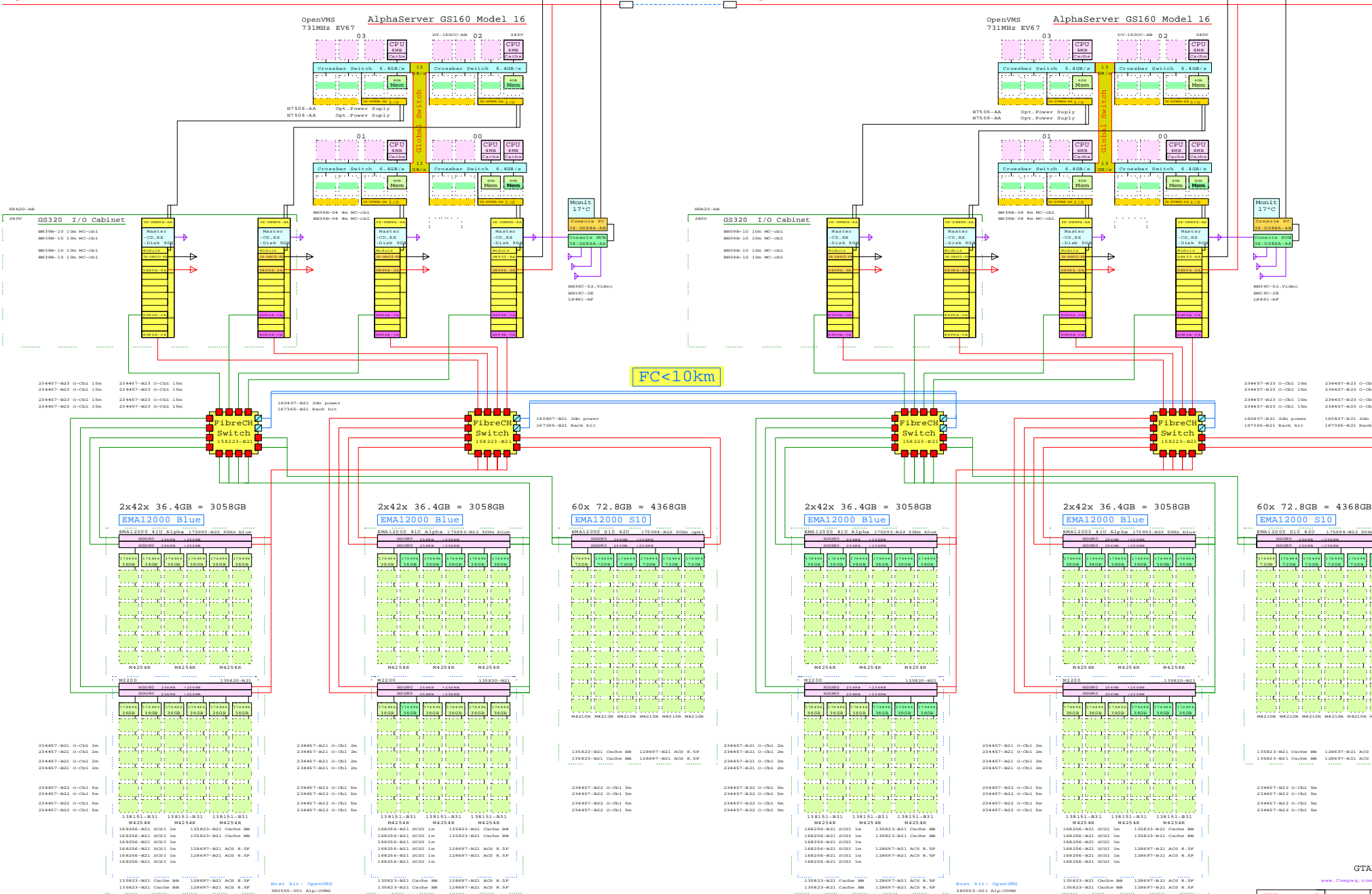
www.Compaq.com/golden-eggs
© June May 2000

GTAVGS1604



AlphaServer GS160 OVMS Cluster
GOLDEN EGGS Visuals, Helsinki

This template is included in the present GOLDEN EGGS Software kit.



FC < 10km

GTAVGS1605

www.compaq.com/go/alpha-eggs



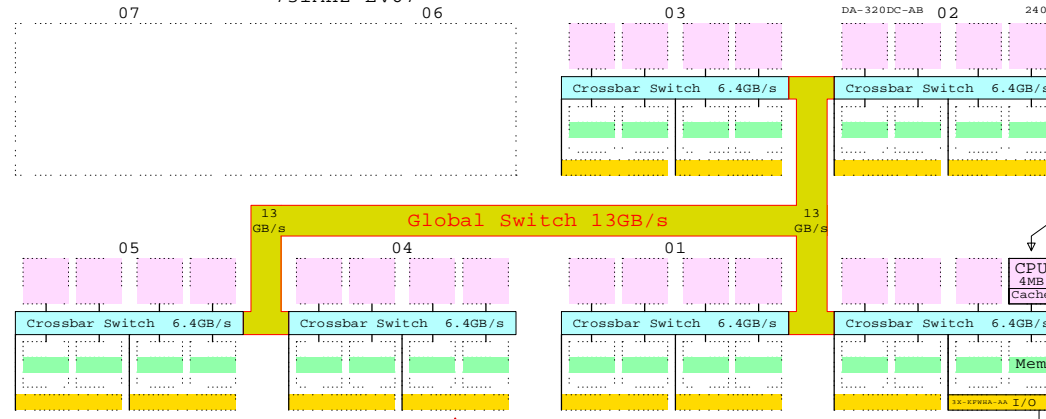
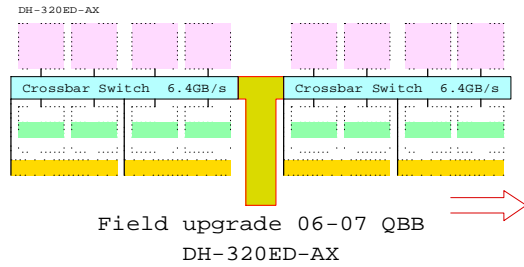
Remote FC GS160 OpenVMS Clust.
GOLDEN EGGS Visuals, Helsinki

AlphaServer GS320 67/731 Systems

Upgrade: M24 -> M32

Tru64 UNIX or
OpenVMS
731MHz EV67

AlphaServer GS320 Model 24

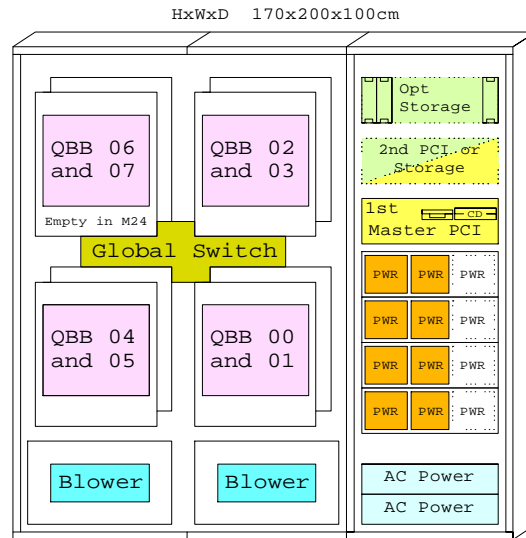


AlphaServer GS320 Model 24

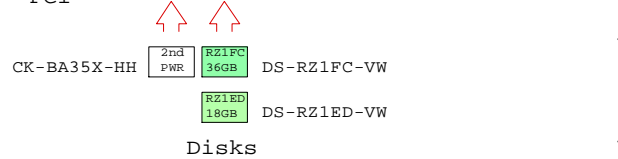
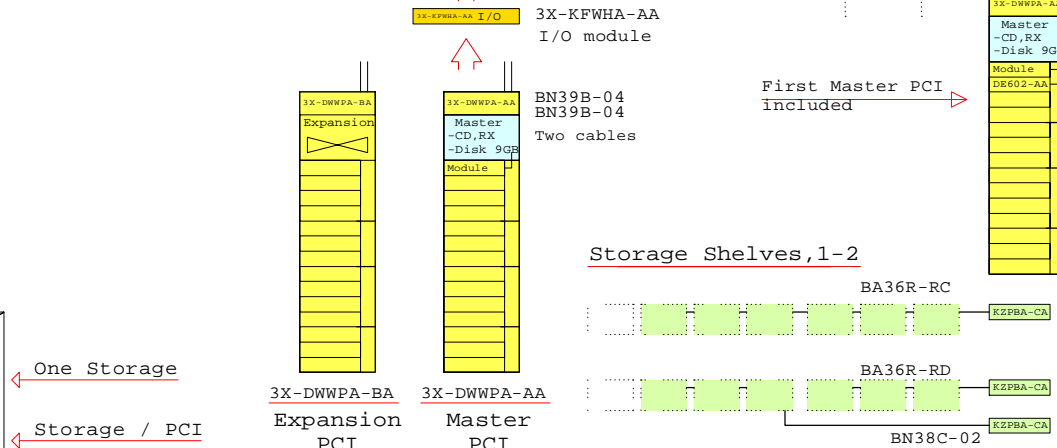
DA-320DC-AA/AB Model 24 Tru64 UNIX
DY-320DC-AA/AB Model 24 OpenVMS
208/416V

AlphaServer GS320 Model 32

DA-320EC-AA/AB Model 32 Tru64 UNIX
DY-320EC-AA/AB Model 32 OpenVMS
208/416V



AlphaServer GS320



- One CPU included
- CPU: 3X-KN8AA-AD UNIX, 3X-KN8AA-AE OpenVMS
- Memory: 1GB Mem (Upgrade to 2GB Mem)
- 3X-MS8AA-BB 1GB Module, 3X-MS8AA-BU 1GB DIMM
- 3X-MS8AA-CB 2GB Module, 3X-MS8AA-CU 2GB DIMM
- 3X-MS8AA-DB 4GB Module, 3X-MS8AA-DU 4GB DIMM
- Monit 17" C, 3R-VRQP7-24
- Console PC 3X-DS8BA-AA, 3X-DS8BA-AA/AB
- Console HUB 3X-DS8AA-AA, 3X-DS8AA-AA Hub for 2nd partition
- BN39C-02, Video; BN19C-2E; SN-LK047-AF

- Licenses included:
- Tru64 UNIX V4.0G, Base license, Unlimited User license, Server Extension license, and Internet Solutions Software license and Netscape's Enterprise Server 3.0.
 - OpenVMS V7.2-1H1 Base license and Enterprise Integration Package V3.0.
- @731MHz
- SPECint95 -
SPECfp95 -
SPECweb96 -
TPC -
- Software Processor Code: Q

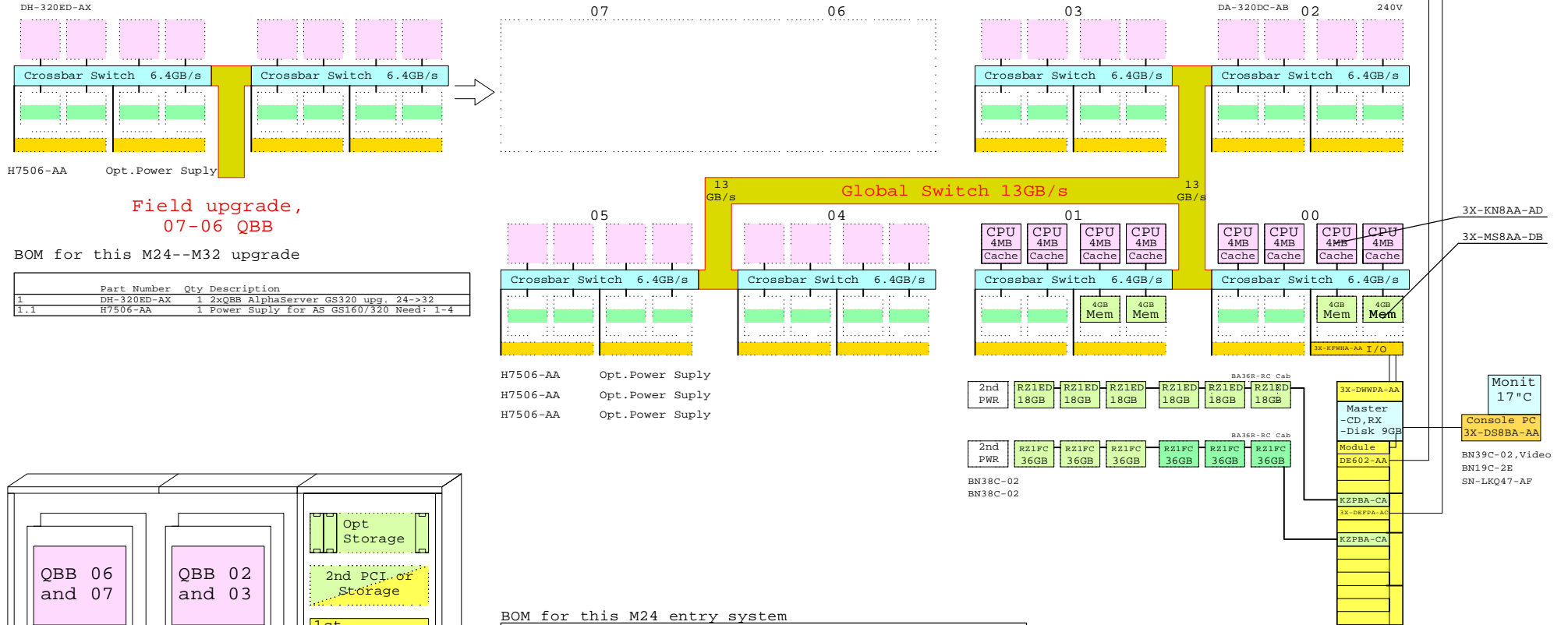
COMPAQ	12-Sep-2000	GEAGS3201
	Matti.Patari@compaq.com	

AlphaServer GS320 M32 System
GOLDEN EGGS Visuals, Helsinki

Ethernet
FDDI

AlphaServer GS320 Tru64 UNIX System

Tru64 UNIX AlphaServer GS320 Model 24
731MHz EV67

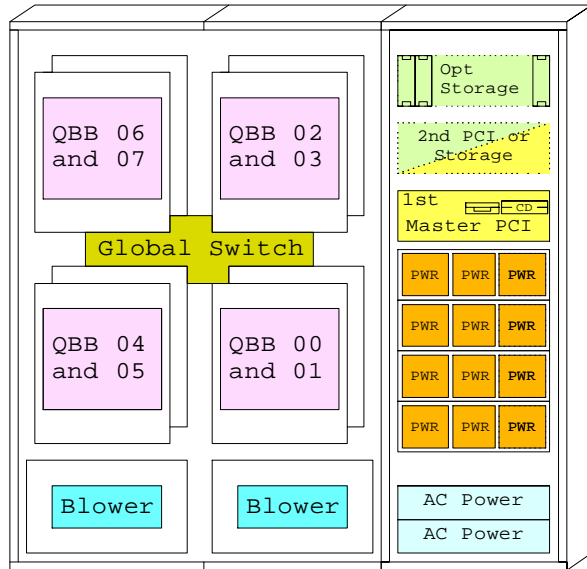


Field upgrade,
07-06 QBB

BOM for this M24--M32 upgrade

Part Number	Qty	Description
1	1	2xQBB AlphaServer GS320 upg. 24->32
1.1	1	H7506-AA Power Suply for AS GS160/320 Need: 1-4

- H7506-AA Opt. Power Suply
- H7506-AA Opt. Power Suply
- H7506-AA Opt. Power Suply



AlphaServer GS320

BOM for this M24 entry system

Part Number	Qty	Description
1	1	DA-320DC-AB 1 AS GS320 M24 for 24 CPU 240V EU UNIX
1.1	1	3X-DEPPA-AC 1 PCI to FDDI SAS MMF with SC,Universal
1.2	7	3X-KN8AA-AD 7 CPU Module GS320/160 6/731MHz Tru64 UNIX
1.3	4	3X-MS8AA-DB 4 4GB AlphaServer GS320 Memory module
1.4	1	BA36R-RC 1 RH ULTRASCSI SHELF CAB SINGLE
1.4.1	1	CK-BA35X-HH 1 180W Stor.Shelf PWR for AS4x00
1.4.2	6	DS-RZ1FC-VW 6 36GB 10000r UltraSCSI Disk
1.5	1	BA36R-RC 1 RH ULTRASCSI SHELF CAB SINGLE
1.5.1	1	CK-BA35X-HH 1 180W Stor.Shelf PWR for AS4x00
1.5.2	6	DS-RZ1ED-VW 6 18.2GB 10000r UltraSCSI disk
1.6	2	BN38C-02 2 Ultra Cbl VHDCI - 68HD
1.7	3	H7506-AA 3 Power Suply for AS GS160/320 Need: 1-4
1.8	2	KZPBA-CA 2 PCI to UltraSCSI Adapter UWSE
2	1	3R-VRQP7-24 1 COMPAQ P75 CLR MON,NH,TCO99
3	1	3X-DS8BA-AA 1 PC-based system console, tower, US
4	1	BN39C-02 1 1.8 Video Extension Cable ****
5	1	SN-LKQ47-AF 1 102 KEY KYBD, NON-WIN, Finnish
6	1	BN19C-2E 1 PowerCable 240V, C-Europe

This template is included in the present GOLDEN EGGS Software kit.

GS320 UNIX

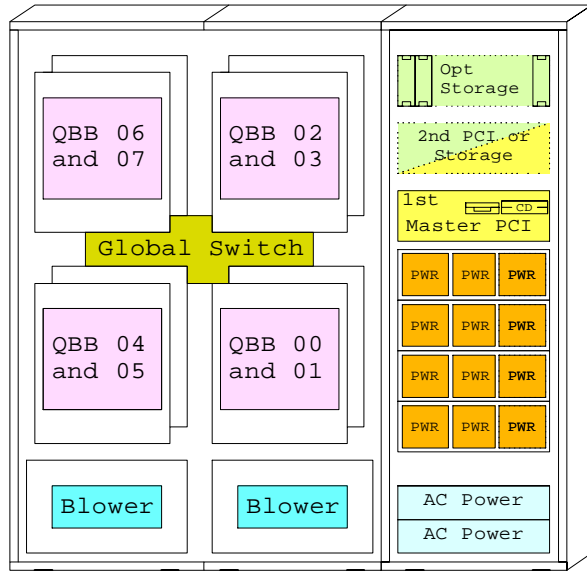
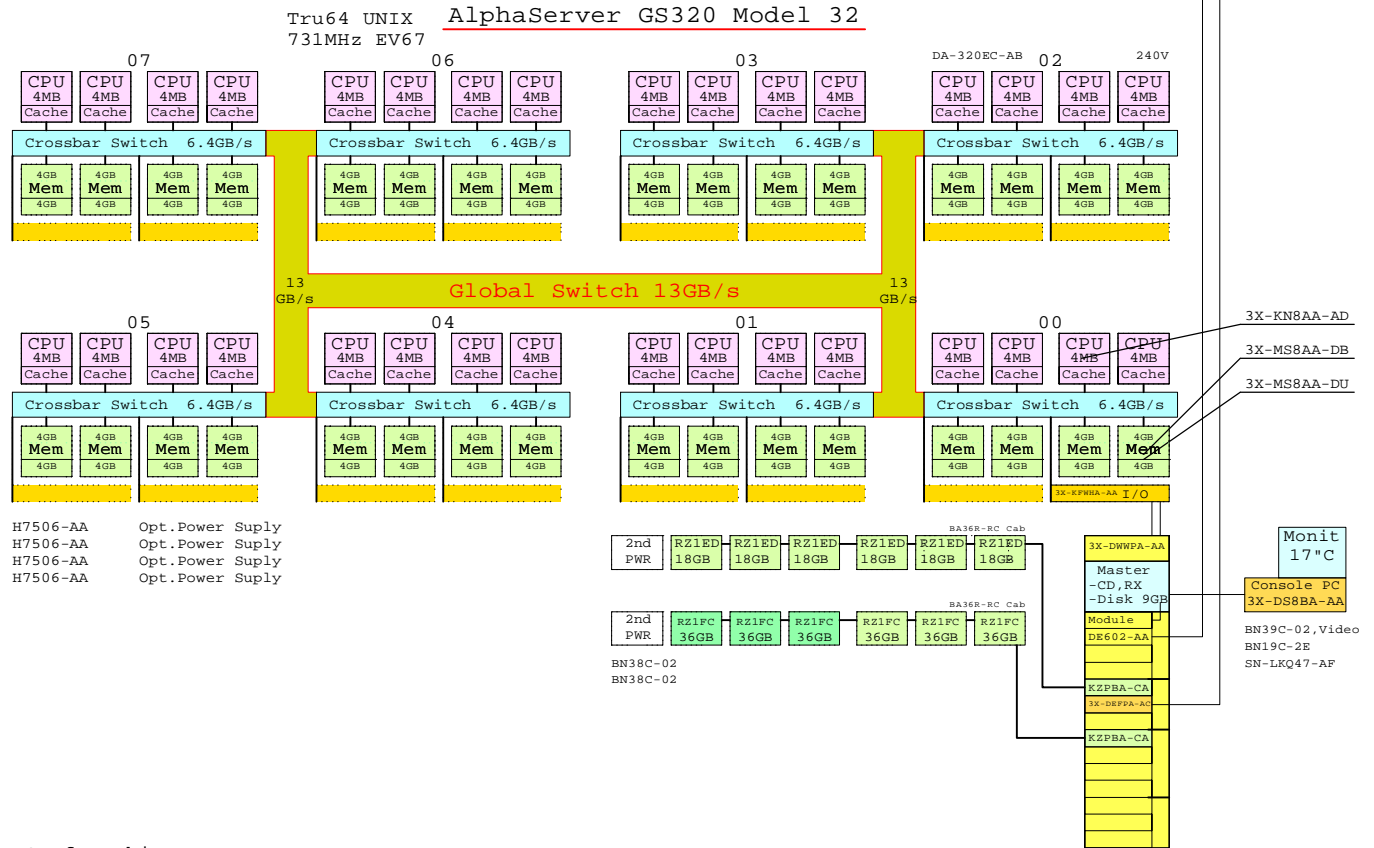
COMPAQ 11-Sep-2000 GTAUGS3201
Matti.Patari@compaq.com

AlphaServer GS320 UNIX System
GOLDEN EGGS Visuals, Helsinki

www.Compaq.com/golden-eggs
Since: May-2000

Ethernet
FDDI

AlphaServer GS320 Tru64 UNIX System, 32xCPU, 256GB



AlphaServer GS320

BOM for this system

Part Number	Qty	Description
3R-VRQP7-24	1	COMPAQ P75 CLR MON,NH,TC099
3X-DEFPA-AC	1	PCI to FDDI SAS MMF with SC,Universal
3X-DS8BA-AA	1	PC-based system console, tower, US
3X-KN8AA-AD	31	CPU Module GS320/160 6/731MHz Tru64 UNIX
3X-MS8AA-DB	32	4GB AlphaServer GS320 Memory module
3X-MS8AA-DU	32	4GB AlphaServer GS320 Memory DIMM
BA36R-RC	2	RH ULTRASCASI SHELF CAB SINGLE
BN19C-2E	1	PowerCable 240V, C-Europe
BN38C-02	2	Ultra Cbl VHDCI - 68HD
BN39C-02	1	1.8 Video Extension Cable ****
CK-BA35X-HH	2	180W Stor.Shelf PWR for AS4x00
DA-320EC-AB	1	AS GS320 M32 for 32 CPU 240V EU UNIX
DS-RZ1ED-VW	6	18.2GB 10000r UltraSCASI disk
DS-RZ1FC-VW	6	36GB 10000r UltraSCASI Disk
H7506-AA	4	Power Suply for AS GS160/320 Need: 1-4
KZPBA-CA	2	PCI to UltraSCASI Adapter UWSE
SN-LKQ47-AF	1	102 KEY KYBD, NON-WIN, Finnish

This template is included in the present GOLDEN EGGS Software kit.

GS320 UNIX

COMPAQ 11-Sep-2000 GTAUGS3202
Mattii.Patari@compaq.com

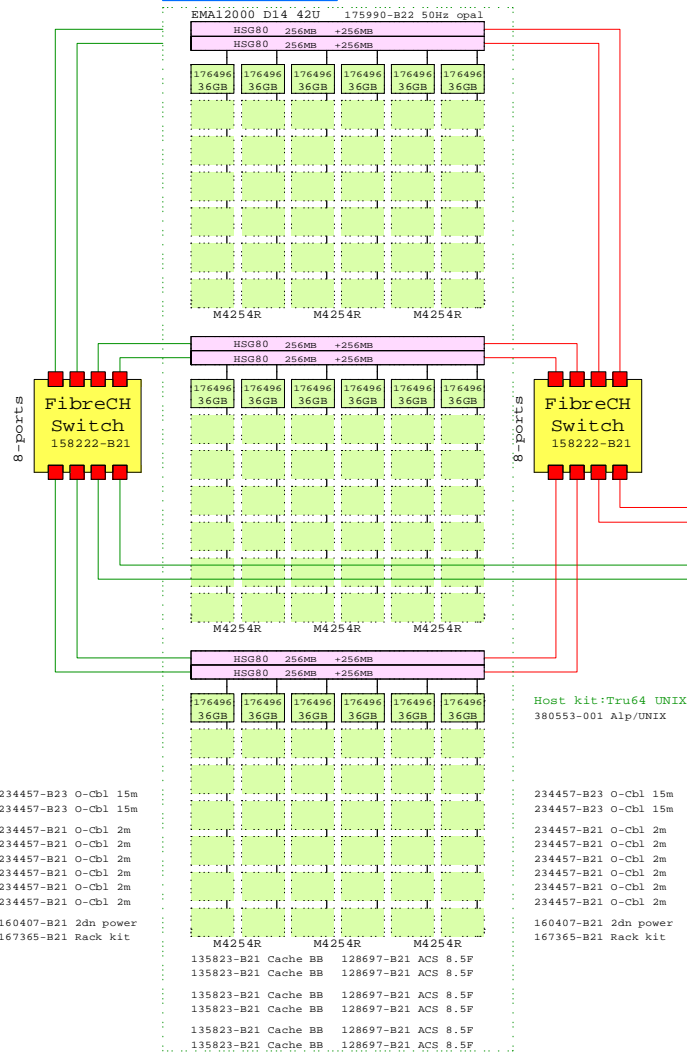
AlphaServer GS320 UNIX System
GOLDEN EGGS Visuals, Helsinki

www.Compaq.com/golden-eggs
Since: May-2000

BOM of this Storage

Part Number	Qty	Description
128697-B21	6	ACS V8.5F controller FCAL/FCSW
135823-B21	6	HS08x Single external cache battery
158222-B21	2	SAN Switch 8 Ports
160407-B21	2	SAN switch redundant power supply
167365-B21	2	Rack mount kit for SAN switch
175990-B22	1	EMA12000 D14 42U 50Hz opal
176496-B22	18	36GB 10000r Ultra3 SCSI disk 1"
176622-B21	6	HSGB0 FC Contr with 256MB cache
234457-B21	12	Fibre Channel 02m Optical Cable
234457-B23	4	Fibre Channel 15m Optical Cable
380553-001	1	OS Platf.Softw.Kit for FC Alpha UNIX
380561-B21	16	FC Optical Short Wave GBIC
380674-B21	6	Cache Upg RABK ESA12K 256MB

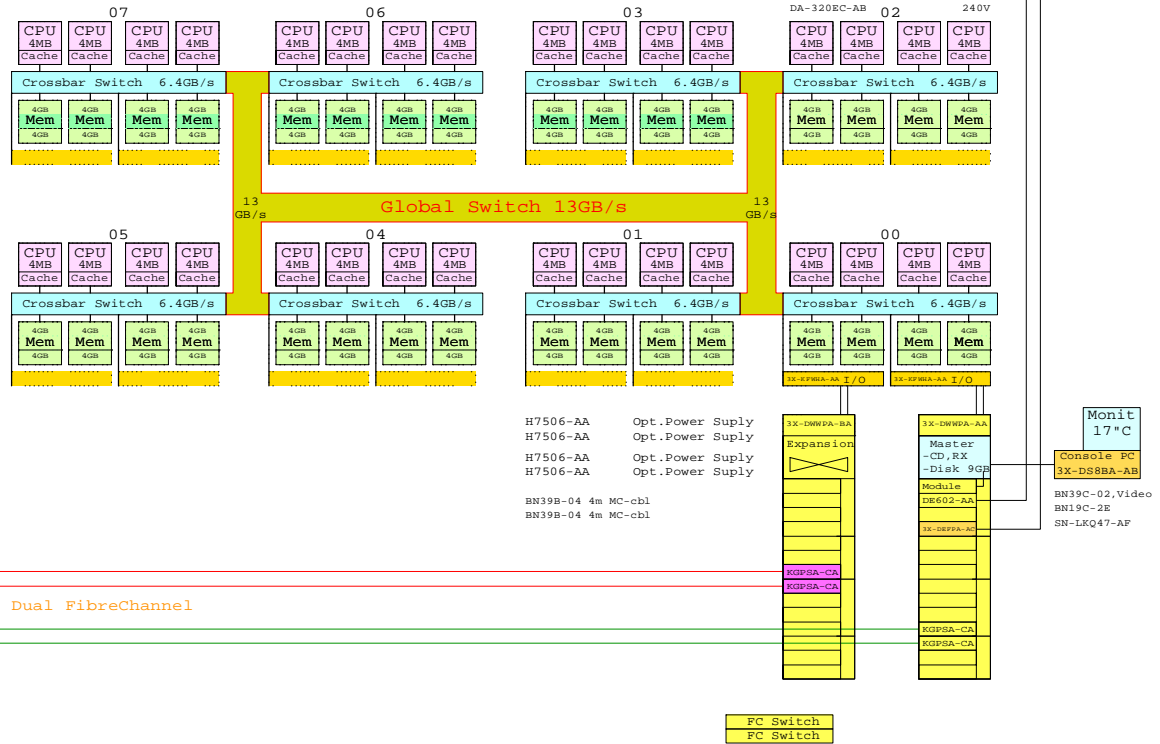
EMA12000 D14 3x42x 36.4GB = 4586GB



Ethernet
FDDI

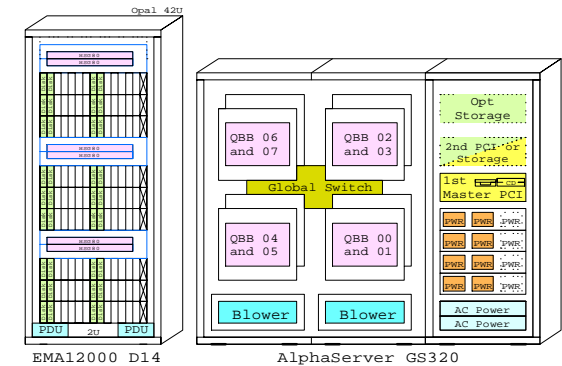
AlphaServer GS320 Tru64 UNIX System, 32xCPU, 256GB

Tru64 UNIX AlphaServer GS320 Model 32
731MHz EV67



BOM of this Host

Part Number	Qty	Description
168794-B21	4	Host Buss Cntr KGPSA-CA.OVMS,UNIX
3R-VR07-24	1	COMPAQ P75 CLR MON,NH,TC099
3X-DEFFA-AC	1	PCI to FDDI SAS MMF with SC,Universal
3X-DS8BA-AB	1	PC-based system console, Tower, Europe
3X-DWHPA-BA	1	PCI Shelf Expansion for GS160/320
3X-KFWHA-AA	1	I/O module for AS GS160/320, !! 2xCbl
3X-KN8AA-AD	31	CPU Module GS320/160 6/731MHz Tru64 UNIX
3X-MS8AA-DB	32	4GB AlphaServer GS320 Memory module
3X-MS8AA-DU	32	4GB AlphaServer GS320 Memory DIMM
BN19C-2E	1	PowerCable 240V, C-Europe
BN39B-04	2	04m copper cbl for CCMAB Mem.Chan
BN39C-02	1	1.8 Video Extension Cable ****
DA-320EC-AB	1	AS GS320 M32 for 32 CPU 240V EU UNIX
H7506-AA	4	Power Suply for AS GS160/320 Need: 1-4
SN-LKQ47-AF	1	102 KEY KYBD, NON-WIN, Finish



- 234457-B23 0-Cbl 15m
- 234457-B23 0-Cbl 15m
- 234457-B21 0-Cbl 2m
- 234457-B21 0-Cbl 2m
- 234457-B21 0-Cbl 2m
- 234457-B21 0-Cbl 2m
- 234457-B21 0-Cbl 2m
- 234457-B21 0-Cbl 2m
- 160407-B21 2dn power
- 167365-B21 Rack kit

Host kit:Tru64 UNIX
380553-001 Alp/UNIX

- 234457-B23 0-Cbl 15m
- 234457-B23 0-Cbl 15m
- 234457-B21 0-Cbl 2m
- 234457-B21 0-Cbl 2m
- 234457-B21 0-Cbl 2m
- 234457-B21 0-Cbl 2m
- 234457-B21 0-Cbl 2m
- 234457-B21 0-Cbl 2m
- 160407-B21 2dn power
- 167365-B21 Rack kit

Part Number	Qty	Description
M4254R	M4254R	M4254R
135823-B21	Cache BB	128697-B21 ACS 8.5F
135823-B21	Cache BB	128697-B21 ACS 8.5F
135823-B21	Cache BB	128697-B21 ACS 8.5F
135823-B21	Cache BB	128697-B21 ACS 8.5F
135823-B21	Cache BB	128697-B21 ACS 8.5F
135823-B21	Cache BB	128697-B21 ACS 8.5F

www.Compaq.com/golden-eggs

COMPAQ 15-Sep-2000 GTAUGS3203
Matti.Patari@compaq.com

GS320 UNIX

AlphaServer GS320 UNIX System
GOLDEN EGGS Visuals, Helsinki

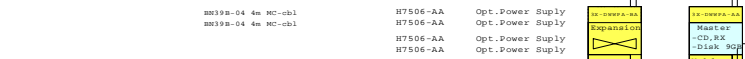
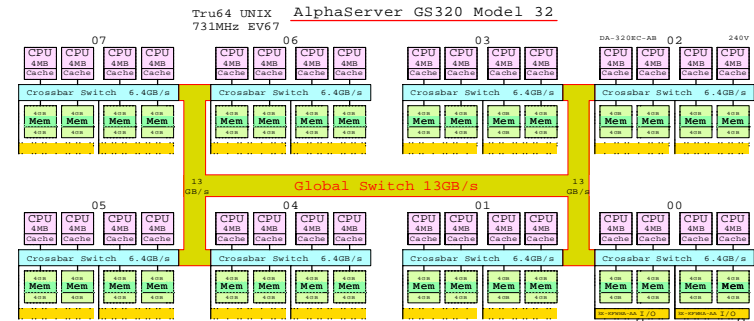
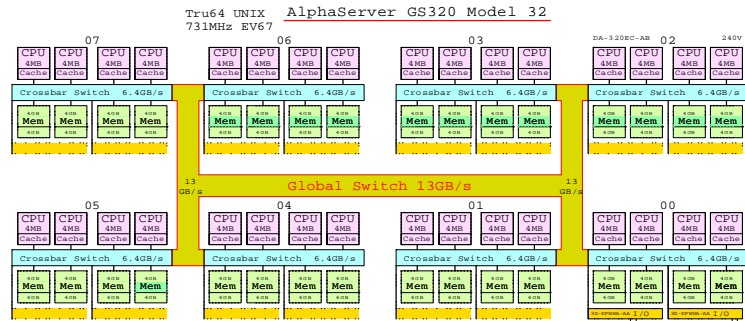
AlphaServer GS320 TruCluster

Ethernet
FDDI

AlphaServer GS320 Tru64 UNIX System, 32xCPU, 256GB

AlphaServer GS320 Tru64 UNIX System, 32xCPU, 256GB

Ethernet
FDDI

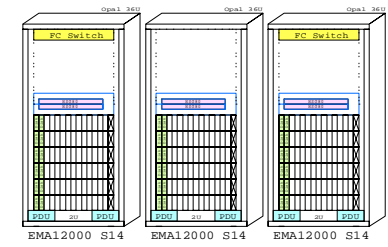
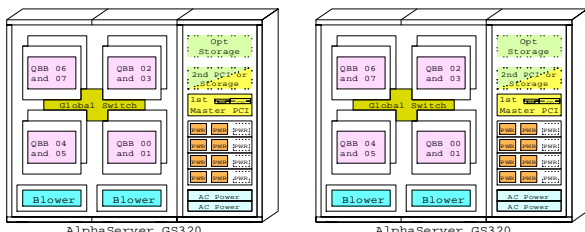


BOM of one GS320 Host

Part Number	Qty	Description
181731-B21	2	2 Bay Base Chassis 600x80x100mm UNIX
18-V89P7-24	1	Compaq P73 4th Mod. MS. 20039
1X-DB8BA-AA	1	PCI to FDDI 802.3B0 HW with 8C Universal
1X-DB8BA-AB	1	PCI-based system console, lower, 800x80
1X-DB8BA-BA	1	PCI Shelf Expansion Exp. 60150/120
1X-KY8BA-AA	1	I/O module for AS 60150/120, 11, 2Pch1
1X-RH8AA-AD	11	CPU Module GS320/160 673MHz Tru64 UNIX
1X-M88AA-DB	12	4GB AlphaServer GS320 Memory Module
1X-M88AA-DD	12	4GB AlphaServer GS320 Memory DIMM
BM39C-02	1	Powerable 240V 0 Storage
BM39B-04	2	24m copper cbl for FCMB Mem Chan
BM39C-02	1	1-B Video Extension Cable ***
COMBAR-AA	2	PCI Mem Channel 2 Cluster opt1
DA-320EC-AB	AS	AS 60150-160 for 3-opp 240V 80 0882
N7506-AA	3	Power Supply for AS 60150/120 Mem-14
SM-LKQ47-AP	1	102 KEY VFD, NON-WIR, V10m1sh

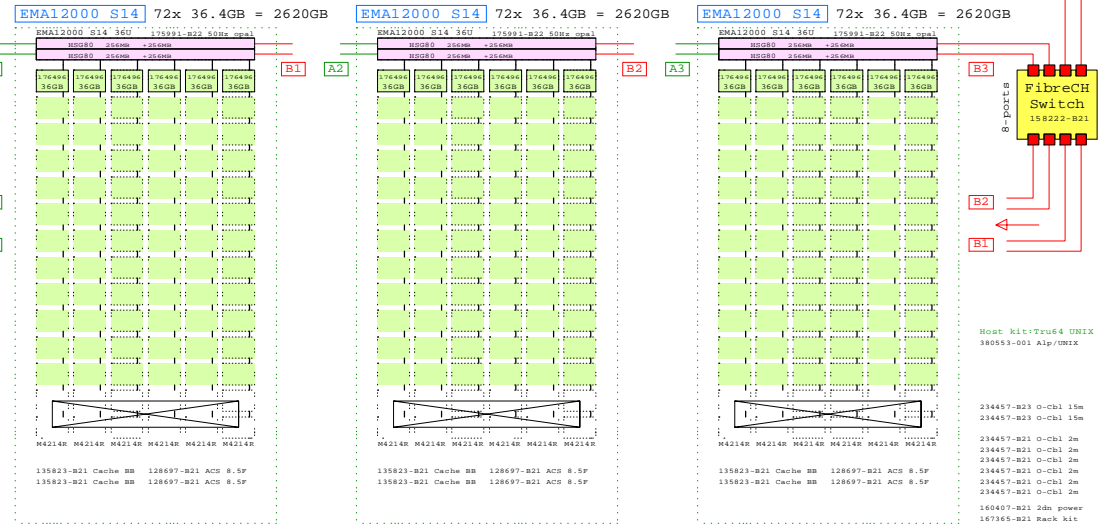
Dual Memory Channel

FibreChannel



BOM of the shared Storage

Part Number	Qty	Description
131651-B21	6	6 Bay 18.5" non-collapsible PchB, PchB
131821-B21	6	6 100mAh Single external cache battery
131222-B21	6	6 100W Switch & Sensor
160407-B21	2	2 240W switch redundant power supply
167165-B21	2	2 Rack Mount Kit for SAN switch
170391-B22	3	3 EMA12000 S14 160 100m 0881
176430-B22	18	18 16GB 100000 Diskal SCSI Disk 1
176430-B21	6	6 16GB FC Controller with 250MB cache
214457-B21	12	12 Fibre Channel 02m Optical Cable
214457-B23	6	6 Fibre Channel 10m Optical Cable
182551-001	1	1 08 Plat. Defm. Kit for FC Alpha UNIX
182551-002	18	18 FC Module - Mount Wires 0881
182574-B21	6	6 Cache Exp. HARC EMA120 256MB



Host kit: Tru64 UNIX
180553-001 Alp/UNIX

www.Compaq.com/golden-eggs

COMPAQ 15-Sep-2000 ©TGAUGS3204
Matti.Pataria@compaq.com

AlphaServer GS320 UNIX Cluster
GOLDEN EGGS Visuals, Helsinki

This template is included in the present GOLDEN EGGS Software kit.

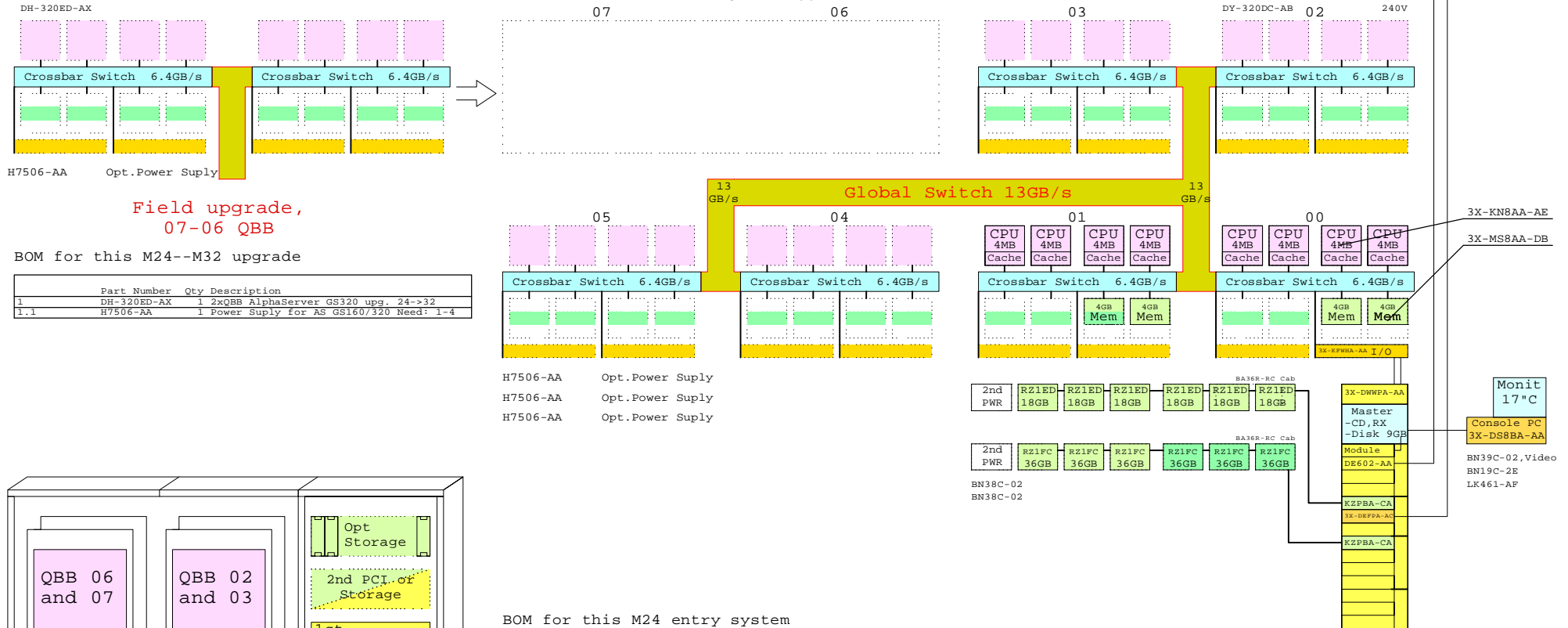
GTAUGS3204

GS320 UNIX

AlphaServer GS320 OpenVMS System

Ethernet
FDDI

OpenVMS AlphaServer GS320 Model 24
731MHz EV67



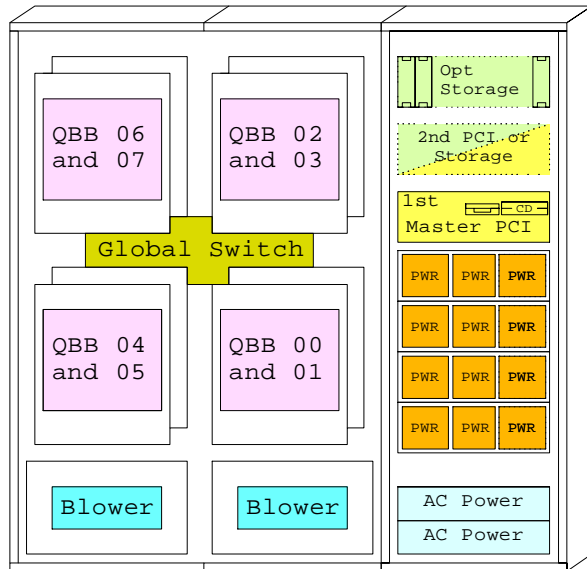
Field upgrade,
07-06 QBB

BOM for this M24--M32 upgrade

Part Number	Qty	Description
DH-320ED-AX	1	2xQBB AlphaServer GS320 upg. 24->32
H7506-AA	1	Power Suply for AS GS160/320 Need: 1-4

BOM for this M24 entry system

Part Number	Qty	Description
1	DY-320DC-AB	1 AS GS320 M24 for 24 CPU 240V EU OVMS
1.1	3X-DEPFA-AC	1 PCI to FDDI SAS MMF with SC,Universal
1.2	3X-KN8AA-AE	7 CPU Module GS320/160 6/731MHz OpenVMS
1.3	3X-MS8AA-DB	4 4GB AlphaServer GS320 Memory module
1.4	BA36R-RC	1 RH ULTRASCSI SHELF CAB SINGLE
1.4.1	CK-BA35X-HH	1 180W Stor.Shelf PWR for AS4x00
1.4.2	DS-RZ1FC-VW	6 36GB 10000r UltraSCSI Disk
1.5	BA36R-RC	1 RH ULTRASCSI SHELF CAB SINGLE
1.5.1	CK-BA35X-HH	1 180W Stor.Shelf PWR for AS4x00
1.5.2	DS-RZ1ED-VW	6 18.2GB 10000r UltraSCSI disk
1.6	BN38C-02	2 Ultra Cbl VHDCl - 68HD
1.7	H7506-AA	3 Power Suply for AS GS160/320 Need: 1-4
1.8	KZPBA-CA	2 PCI to UltraSCSI Adapter UWSE
2	3R-VRQF7-24	1 COMPAQ P75 CLR MON,NH,TCO99
3	3X-DS8BA-AA	1 PC-based system console, tower, US
4	BN39C-02	1 1.8 Video Extension Cable ****
5	BN19C-2E	1 PowerCable 240V, C-Europe
6	LK461-AF	1 VMS STYLE KEYBOARD, Fin/Swed



AlphaServer GS320

This template is included in the present GOLDEN EGGS Software kit.

www.Compaq.com/golden-eggs
Since: May-2000

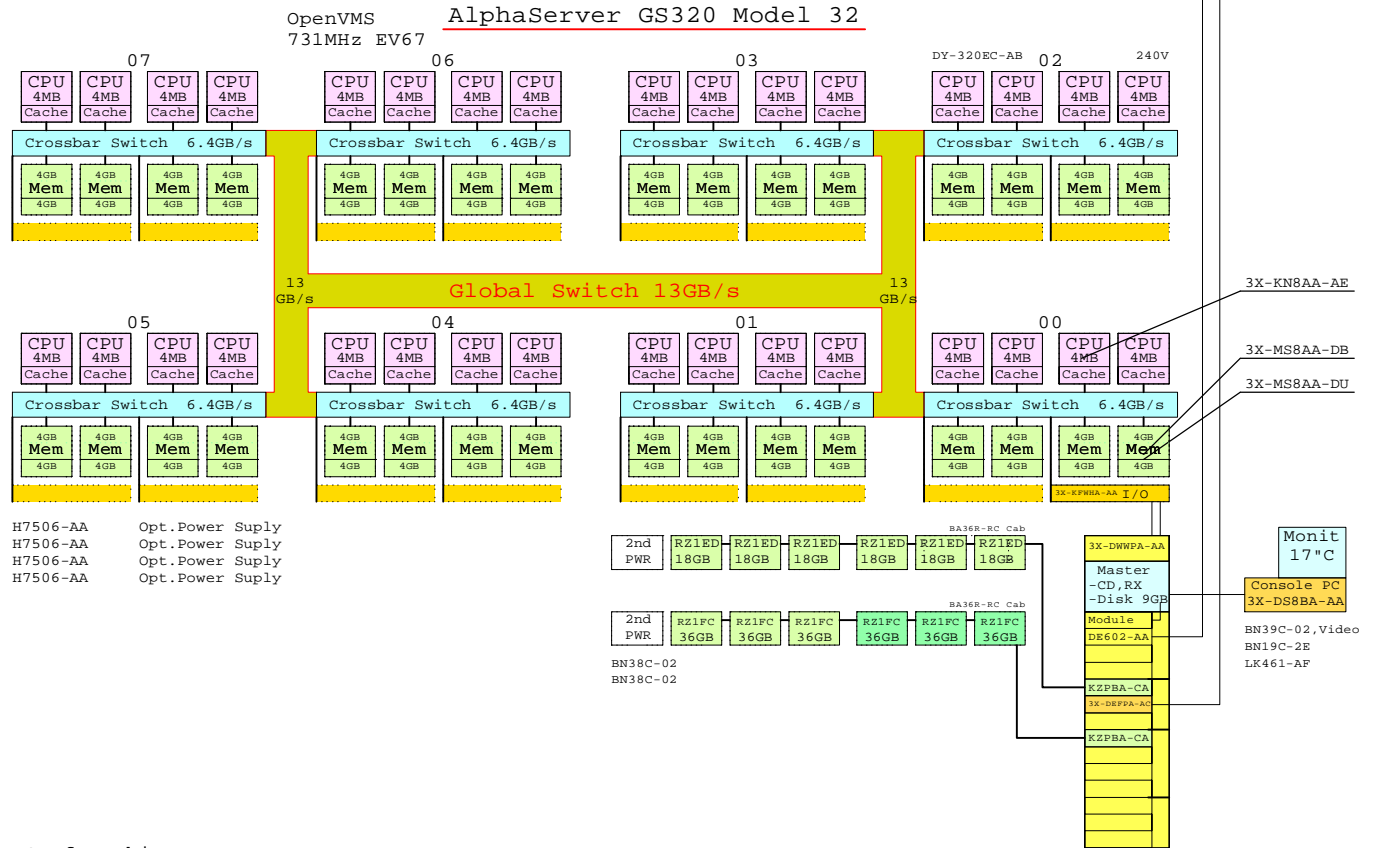
COMPAQ 11-Sep-2000 GTAVGS3201
Matti.Patari@compaq.com

GS320 OVMS

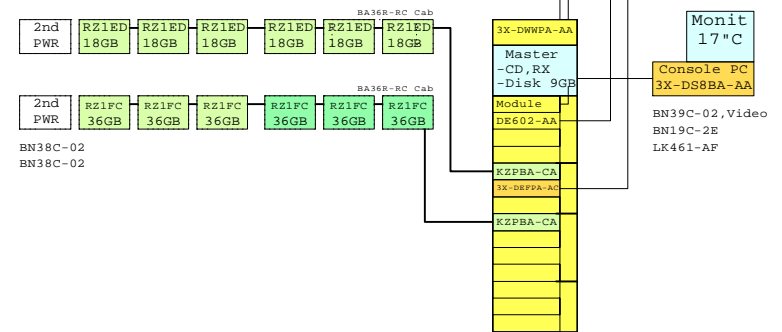
AlphaServer GS320 OVMS System
GOLDEN EGGS Visuals, Helsinki

Ethernet
FDDI

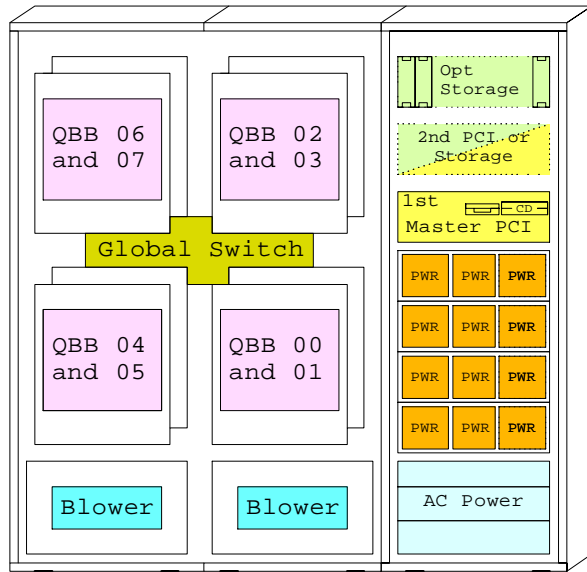
AlphaServer GS320 OpenVMS System, 32xCPU, 256GB



H7506-AA Opt.Power Suply
H7506-AA Opt.Power Suply
H7506-AA Opt.Power Suply
H7506-AA Opt.Power Suply



BN38C-02
BN38C-02



AlphaServer GS320

BOM for this system

Part Number	Qty	Description
3R-VRQP7-24	1	COMPAQ P75 CLR MON,NH,TCO99
3X-DEFPA-AC	1	PCI to FDDI SAS MMF with SC,Universal
3X-DS8BA-AA	1	PC-based system console, tower, US
3X-KN8AA-AE	31	CPU Module GS320/160 6/731MHz OpenVMS
3X-MS8AA-DB	32	4GB AlphaServer GS320 Memory module
3X-MS8AA-DU	32	4GB AlphaServer GS320 Memory DIMM
BA36R-RC	2	RH ULTRASCSI SHELF CAB SINGLE
BN19C-2E	1	PowerCable 240V, C-Europe
BN38C-02	2	Ultra Cbl VHDCl - 68HD
BN39C-02	1	1.8 Video Extension Cable ****
CK-BA35X-HH	2	180W Stor.Shelf PWR for AS4x00
DS-RZ1ED-VW	6	18.2GB 10000r UltraSCSI disk
DS-RZ1FC-VW	6	36GB 10000r UltraSCSI Disk
DY-320EC-AB	1	AS GS320 M32 for 32 CPU 240V EU OVMS
H7506-AA	4	Power Suply for AS GS160/320 Need: 1-4
KZPBA-CA	2	PCI to UltraSCSI Adapter UWSE
LK461-AF	1	VMS STYLE KEYBOARD, Fin/Swed

www.Compaq.com/golden-eggs
Since: May-2000

COMPAQ 11-Sep-2000 GTAVGS3202
Matti.Patari@compaq.com

GS320 OVMS

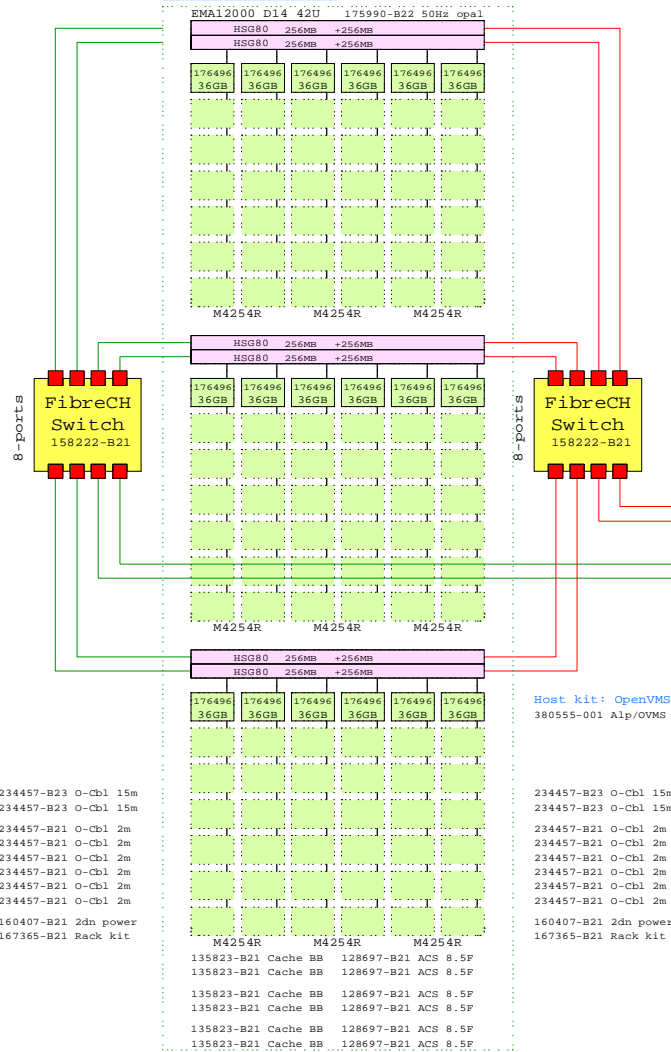
AlphaServer GS320 OVMS System
GOLDEN EGGS Visuals, Helsinki

This template is included in the present GOLDEN EGGS Software kit.

BOM of this Storage

Part Number	Qty	Description
128697-B21	6	ACS V8.5F controller FCAL/FCSW
135821-B21	6	HSG8x Single external cache battery
138222-B21	2	SAN Switch 8 Ports
160407-B21	2	SAN switch redundant power supply
167365-B21	2	Rack mount kit for SAN switch
175990-B22	1	EMA12000 D14 42U 50Hz opal
176496-B22	18	36GB 10000r Ultra3 SCSI disk 1"
176622-B21	6	HSG80 FC Contr with 256MB cache
234457-B21	12	Fibre Channel 02m Optical Cable
234457-B23	4	Fibre Channel 15m Optical Cable
380555-001	1	OS Platf.Softw.Kit for FC Alpha OVMS
380561-B21	16	FC Optical Short Wave GBIC
380674-B21	6	Cache Upg RABK ESA12K 256MB

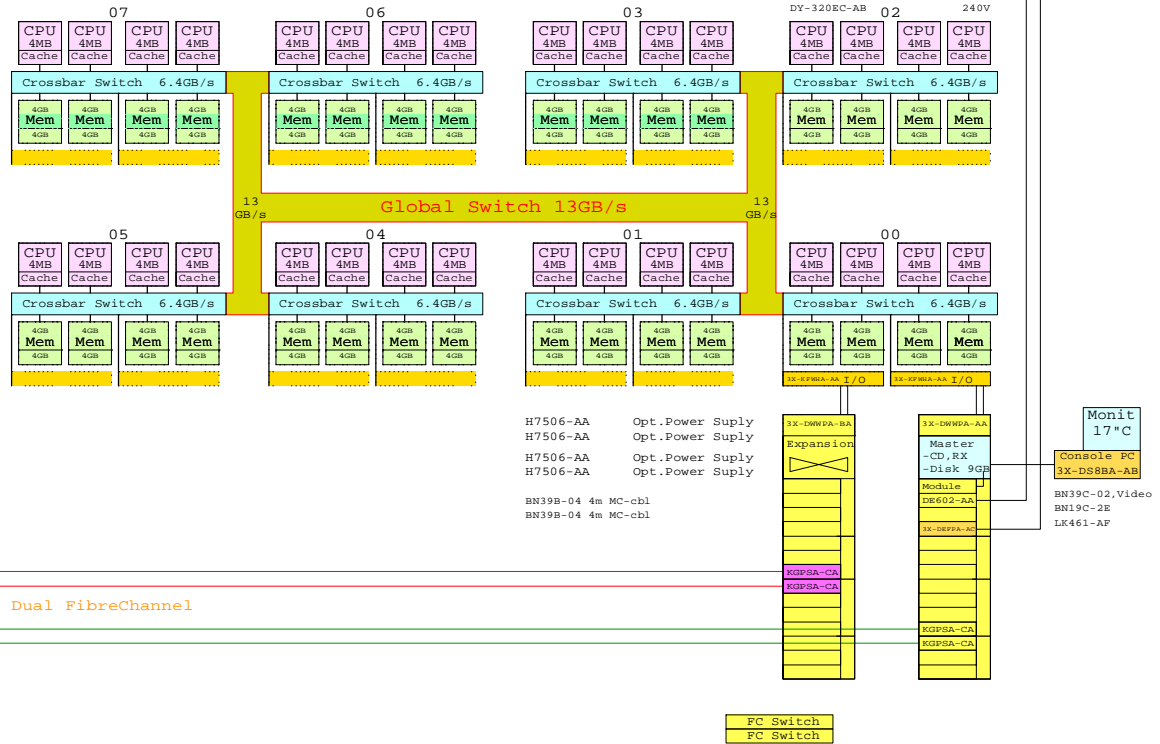
EMA12000 D14 3x42x 36.4GB = 4586GB



Ethernet
FDDI

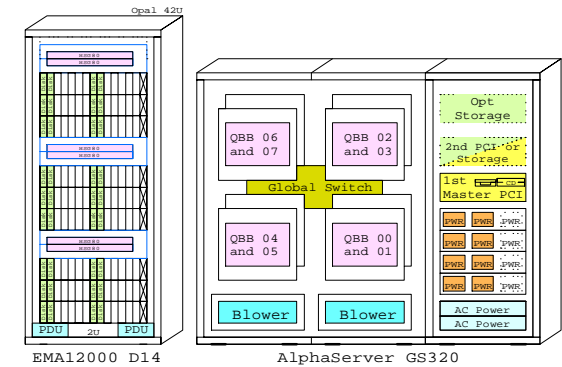
AlphaServer GS320 OpenVMS System, 32xCPU, 256GB

OpenVMS AlphaServer GS320 Model 32
731MHz EV67



BOM of this Host

Part Number	Qty	Description
168794-B21	4	Host Bus Cntr KGPSA-CA.OVMS,UNIX
3R-VR07-24	1	COMPAQ P75 CLR MON,NH,TC099
3X-DEFFA-AC	1	PCI to FDDI SAS MMF with SC,Universal
3X-DS8BA-AB	1	PC-based system console, Tower, Europe
3X-DWHPA-BA	1	PCI Shelf Expansion for GS160/320
3X-KFWHA-AA	1	I/O module for AS GS160/320, !! 2xCbl
3X-KN8AA-AE	31	CPU Module GS320/160 6/7731MHz OpenVMS
3X-MS8AA-DB	32	4GB AlphaServer GS320 Memory module
3X-MS8AA-DU	32	4GB AlphaServer GS320 Memory DIMM
BN19C-2E	1	PowerCable 240V, C-Europe
BN39B-04	2	04m copper cbl for CCMAB Mem.Chan
BN39C-02	1	1.8 Video Extension Cable ****
DY-320EC-AB	1	AS GS320 M32 for 32 CPU 240V EU OVMS
H7506-AA	4	Power Suply for AS GS160/320 Need: 1-4
LK461-AF	1	VMS STYLE KEYBOARD, Fin/Swed



- 234457-B23 0-Cbl 15m
- 234457-B23 0-Cbl 15m
- 234457-B21 0-Cbl 2m
- 234457-B21 0-Cbl 2m
- 234457-B21 0-Cbl 2m
- 234457-B21 0-Cbl 2m
- 234457-B21 0-Cbl 2m
- 234457-B21 0-Cbl 2m
- 160407-B21 2dn power
- 167365-B21 Rack kit

- Host kit: OpenVMS
380555-001 Alp/OVMS
- 234457-B23 0-Cbl 15m
 - 234457-B23 0-Cbl 15m
 - 234457-B21 0-Cbl 2m
 - 234457-B21 0-Cbl 2m
 - 234457-B21 0-Cbl 2m
 - 234457-B21 0-Cbl 2m
 - 234457-B21 0-Cbl 2m
 - 234457-B21 0-Cbl 2m
 - 160407-B21 2dn power
 - 167365-B21 Rack kit

Part Number	Qty	Description
M4254R	M4254R	M4254R
135823-B21	Cache BB	128697-B21 ACS 8.5P
135823-B21	Cache BB	128697-B21 ACS 8.5P
135823-B21	Cache BB	128697-B21 ACS 8.5P
135823-B21	Cache BB	128697-B21 ACS 8.5P
135823-B21	Cache BB	128697-B21 ACS 8.5P
135823-B21	Cache BB	128697-B21 ACS 8.5P

www.Compaq.com/golden-eggs

COMPAQ 15-Sep-2000 GTAVGS3203
Matti.Patari@compaq.com

This template is included in the present GOLDEN EGGS Software kit.

GS320 OVMS

AlphaServer GS320 OVMS System
GOLDEN EGGS Visuals, Helsinki

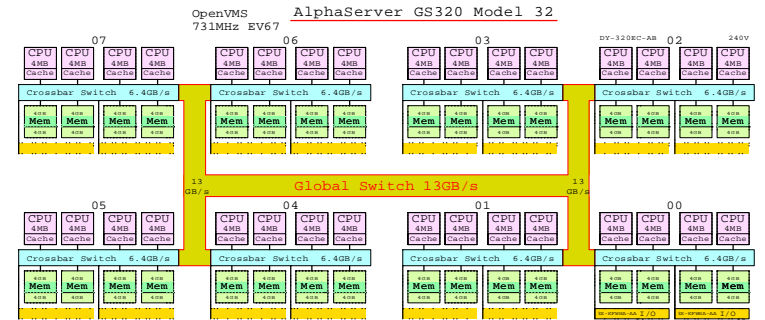
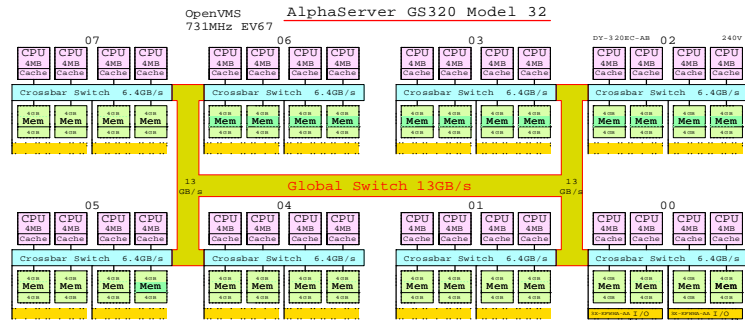
AlphaServer GS320 OpenVMS Cluster

Ethernet
FDDI

AlphaServer GS320 OpenVMS System, 32xCPU, 256GB

AlphaServer GS320 OpenVMS System, 32xCPU, 256GB

Ethernet
FDDI



- BM39B-04 4x MC-cbl
- BM39B-04 4x MC-cbl
- H7506-AA Opt.Power Supply
- H7506-AA Opt.Power Supply
- H7506-AA Opt.Power Supply
- H7506-AA Opt.Power Supply

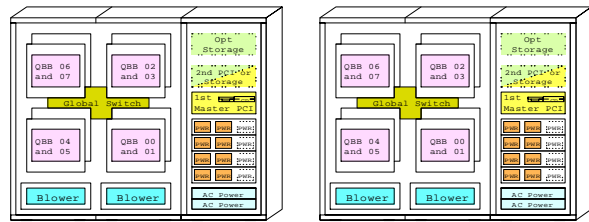
- BM39B-04 4x MC-cbl
- BM39B-04 4x MC-cbl
- H7506-AA Opt.Power Supply
- H7506-AA Opt.Power Supply
- H7506-AA Opt.Power Supply
- H7506-AA Opt.Power Supply

BOM of one GS320 Host

Part Number	Qty	Description
148774-B21	2	Power Base Unit KSPBA-CA, OVMS UNIX
16_V86P7_24	1	COMPAG P75 CPU MOB AM 250P
1X-REFRAC	1	PC-Board Refractor with fan Universal
1X-DSBBA-AB	1	PC-Board System Control, Power, Europe
1X-DMPSA-BA	1	PC-Board Separation Fan 02160/320
1X-KFMSA-AA	1	I/O module for AS GS160/320 (1.25ch)
1X-EMBAA-AB	4	CPU Module GS320/AB 6713MHz OpenVMS
1X-MBAA-AB	12	4MB AlphaServer GS320 Memory Module
1X-MBAA-AD	12	4MB AlphaServer GS320 Memory DIMM
BM39C-2E	1	Power Cable 240V C-Range
BM39B-04	2	4x copper cbl for OCMAB Mem Chan
BM39B-10	1	10x copper cbl for OCMAB Mem Chan
BM39C-02	1	1.8 Video Extension Cable ***
COMPAQ-AA	2	Opt Mem channel 1.2 Video Opt2
DY-320EC-AB	1	AS GS320 B21 for 32 CPU 240V BT OVMS
BM39B-04	1	Power Supply for 32 CPU 240V 2P Head 1.4
124461-AP	1	VMS STYLE KEYBOARD, PIN/Sw/ed

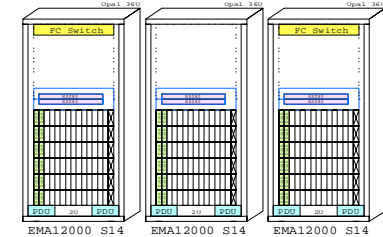
Dual Memory Channel

FibreChannel



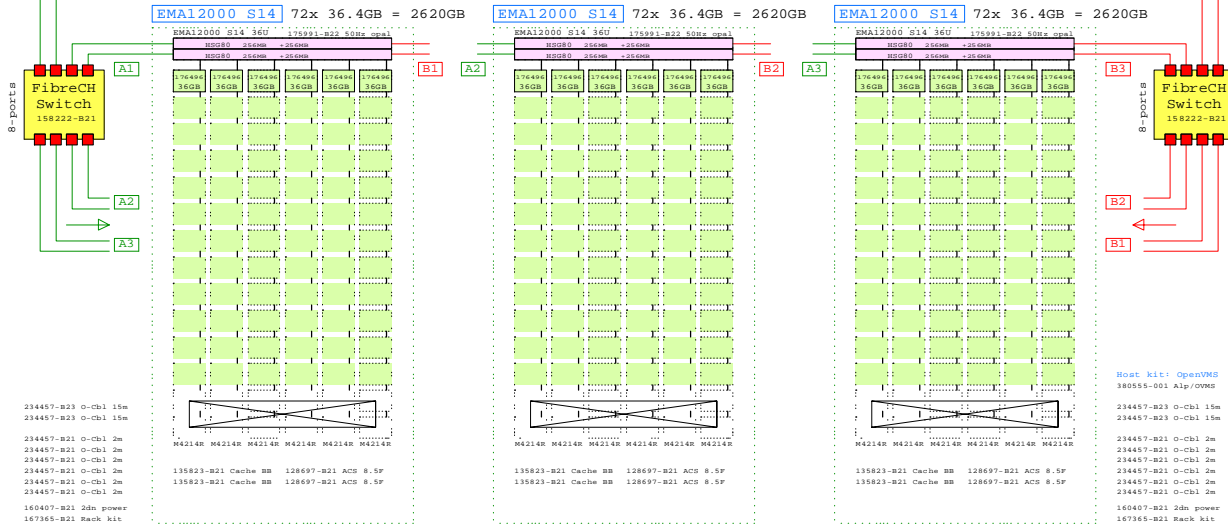
AlphaServer GS320

AlphaServer GS320



BOM of the shared Storage

Part Number	Qty	Description
131651-B21	6	6.0GB 10K RPM Compaq/Alp P044 P046
131821-B21	6	6.0GBx6 Single external cache battery
131222-B21	2	Switch 8 Ports
160407-B21	2	24W switch external power supply
167165-B21	2	2 Pack mount kit for SAN switch
170391-B22	3	EMA12000 S14 36GB 10K rpm
176492-B22	18	16GB 10000 Rpm Diskal SCSI Disk 1"
176493-B21	6	6.0GB PC Controller with 250MB cache
214457-B21	12	Fibre Channel 02m Optical Cable
214458-B21	6	Fibre channel 10m Optical Cable
180551-001	1	08 Flat Cable Kit for PC Alpha OVMS
180551-001	18	PC Controller Mount with 250MB cache
180574-B21	6	Cache Sup HARK EMA12K 250GB



- 234457-B21 O-Cbl 15m
- 234457-B21 O-Cbl 15m
- 234457-B21 O-Cbl 2m
- 234457-B21 O-Cbl 2m
- 234457-B21 O-Cbl 2m
- 234457-B21 O-Cbl 2m
- 234457-B21 O-Cbl 2m
- 160407-B21 24n power
- 167165-B21 Rack kit

- Root kit: OpenVMS
- 380555-001 Alp/OVMS
- 234457-B21 O-Cbl 15m
- 234457-B21 O-Cbl 15m
- 234457-B21 O-Cbl 2m
- 234457-B21 O-Cbl 2m
- 234457-B21 O-Cbl 2m
- 234457-B21 O-Cbl 2m
- 160407-B21 24n power
- 167165-B21 Rack kit

www.Compaq.com/golden-eggs



15-Sep-2000 GTAVGS204
Matti.Pataria@compaq.com

AlphaServer GS320 OVMS Cluster
GOLDEN EGGS Visuals, Helsinki

This template is included in the present GOLDEN EGGS Software kit.

GTAVGS3204

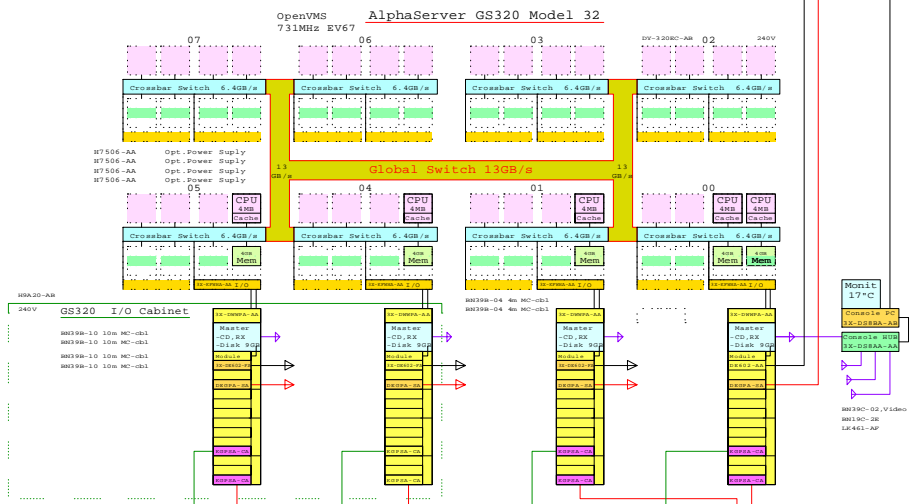
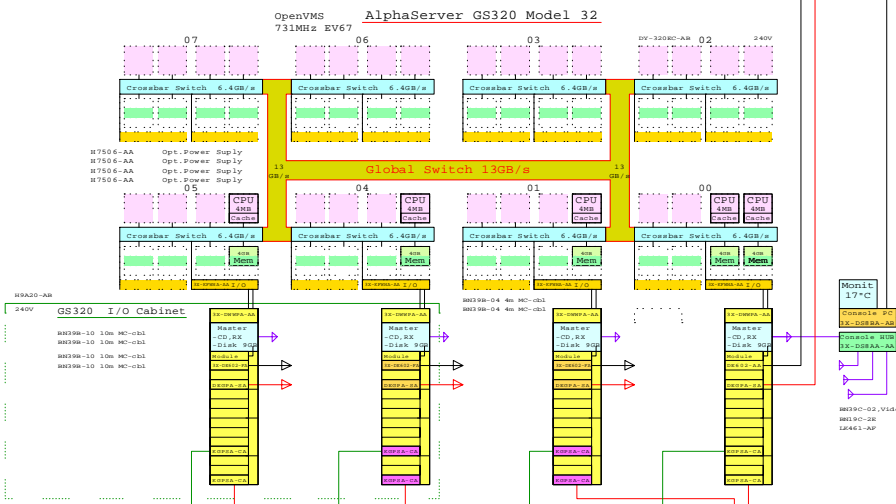
GS320 OVMS

Ethernet
GigaBitEthernet

AlphaServer GS320 OpenVMS system, 32xCPU, 256GB

Ethernet
GigaBitEthernet

AlphaServer GS320 OpenVMS system, 32xCPU, 256GB



FC<10km

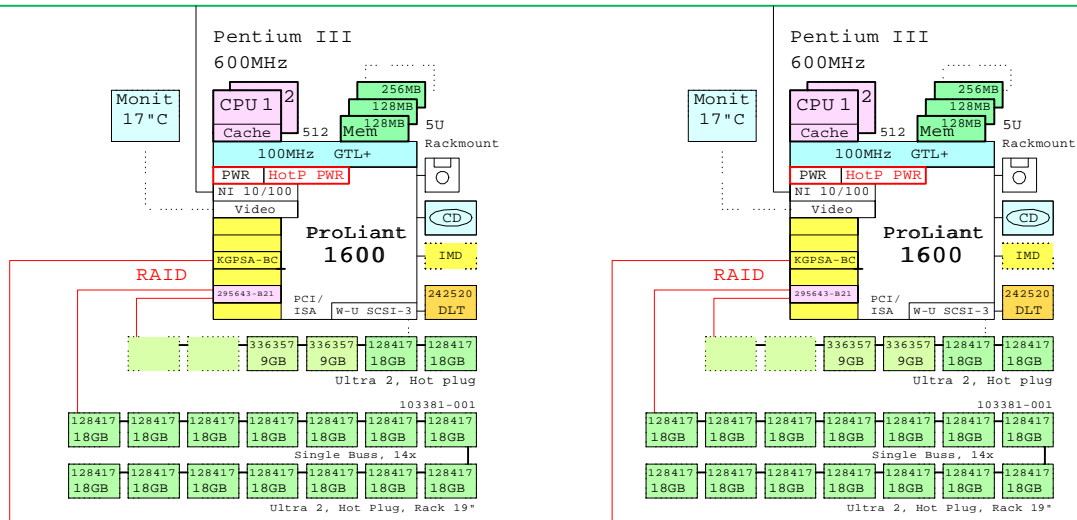


GTAVG3205

www.Compaq.com/golden-eggs
 19-Sep-2000 GTA VG3205
 Matt.L.Patall@compaq.com

Remote FC GS320 OpenVMS Clust.
 GOLDEN EGGS Visuals, Helsinki

Ethernet



BOM for one PL1600 system

Part Number	Qty	Description
1	1	153551-021 1 ProLiant 1600R 600MHz 512 128MB rack
1.1	1	124779-B21 1 6/600 Pentium III 512K Processor Option
1.2	2	128417-B21 2 18.2GB W-Ultra SCSI-3 10k 1" Drive
1.3	1	242520-B21 1 DLT drive, internal 35/70GB
1.4	1	264377-B23 1 Integrated Mgt. Display Option
1.5	1	283697-B21 1 Hot Plug Redundant Power Supply
1.6	1	295643-B21 1 Smart Array 3200 RAID two channels
1.7	1	313615-B21 1 256MB SDRAM Memory Kit
1.8	1	313616-B21 1 128MB SDRAM Memory Kit
1.9	1	325800-021 1 V700 Color Monitor (Carbon)
1.10	2	336357-B21 2 9.1GB W-Ultra SCSI-3 10k 1" Drive
1.11	2	380574-001 2 Compaq Host Buss Cntr KGPSA-BC
2	1	103381-001 1 Compaq StorageWorks Encl. Mod4214R
2.1	14	128417-B21 14 18.2GB W-Ultra SCSI-3 10k 1" Drive

BOM for Fibre Channel

Part Number	Qty	Description
1	1	380578-B21 1 FC Switch 16 Ports
1.1	10	380561-B21 10 FC Optical Short Wave GBIC

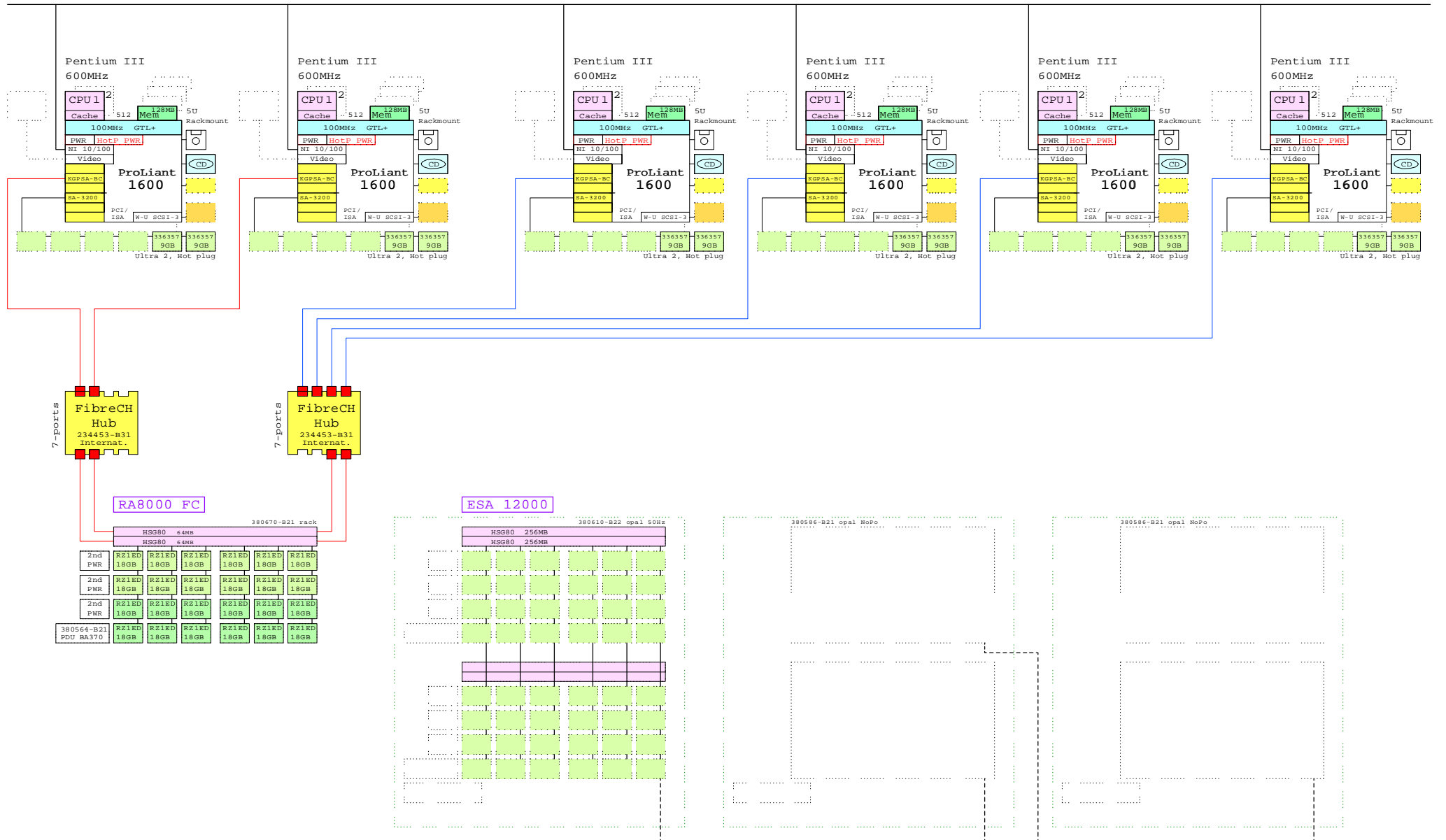
BOM for one ESA 12000 FC

Part Number	Qty	Description
1	1	380610-B21 1 ESA1200 FC 50HZ 2x24 2xCnt blue
1.1	1	103541-021 1 Power Cord 13-20A C.Europe
1.2	2	380564-B21 2 Power Distribution Unit RA8k/7k
1.3	6	380565-B21 6 Power Suply 180W Hot Plug SBB
1.4	1	380583-B21 1 ESA12000 Cabinet PDU 50Hz
1.5	12	DS-RZ1DD-VW 12 9.1GB 10000r UltraSCSI disk
1.6	12	DS-RZ1ED-VW 12 18.2GB 10000r UltraSCSI disk
1.7	24	DS-RZ1FB-VW 24 36GB 7200 UltraSCSI Disk

All BOMs have been pulled from the picture.
No manual sorting is needed.

Windows NT, Cluster

Novell, standalone servers

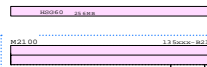


Packaged cabinets:

Add ins: Disks & Controllers

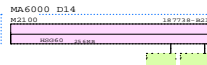
MA6000

- NO cabinet
- For 1.0" disks



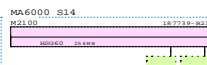
Two (2) channel
logical
controller tray,
-NO cabinet
-NO controller

M2100



Two (2) channel
logical
controller tray,
-NO cabinet
-ONE controller
-ONE disk tray

MA6000 D14

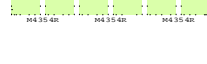
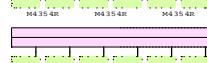
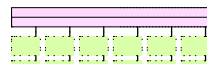
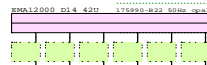


Two (2) channel
logical
controller tray,
-NO cabinet
-NO controller
-TWO disk trays

MA6000 S14

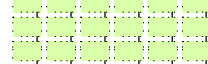
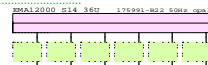
EMA12000 D14

- Cabinet 42U
- NO controllers
- For 1.0" disks
- Max 126 disks



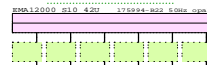
EMA12000 S14

- Cabinet 36U
- NO controllers
- For 1.0" disks
- Max 84 disks



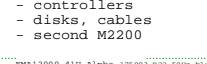
EMA12000 S10

- Cabinet 42U
- NO controllers
- For 1.6" disks
- Max 126 disks



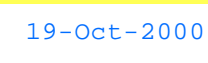
EMA12000 Blue

- Cabinet 41U
- NO controllers
- For 1.0" disks
- Max 84 disks



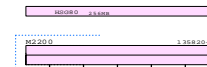
MA8000

- Cabinet 22U
- NO controllers
- For 1.0" disks
- Max 42 disks



Tray_Controller

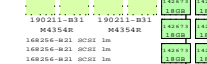
- NO controllers



Six (6) channel
logical
controller tray,
-NO cabinet

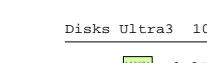
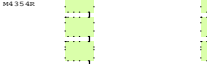
M2200

- M2200 tray with controllers
- disk trays
- disks....



Tray_Storage

- NO disks

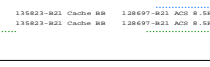
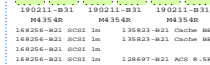
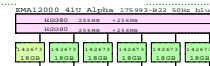


Modula

19-Oct-2000

EMA12000 Blue and

- controllers
- disks, cables
- second M2200



BOM for this EMA12000 Blue + M2200

Part Number	Qty	Description
175993-B22	1	EMA12000 6x7 41U 50Hz blue
1.1	2	ACS V8.5F controller FCAL/PCSW
1.2	1	Modula M2200 shelf, NO controller
1.2.1	2	ACS V8.5F controller FCAL/PCSW
1.2.2	2	HS8xx Single external cache battery
1.2.3	6	SCSI cable VHDCI-VHDCI, 1m
1.2.4	1	HS80 FC Contr with 256MB cache
1.2.4.1	1	Cache Upg RASK ESA12K 256MB
1.2.5	1	HS80 FC Contr with 256MB cache
1.2.5.1	1	Cache Upg RASK ESA12K 256MB
1.2.6	1	Modula M4354R dual buss, 7+7, 1.0"
1.2.6.1	8	18.2GB 10000r Ultra3 SCSI disk 1"
1.2.7	1	HS80 FC Contr with 256MB cache
1.2.7.1	8	18.2GB 10000r Ultra3 SCSI disk 1"
1.2.8	1	Modula M4354R dual buss, 7+7, 1.0"
1.2.8.1	9	18.2GB 10000r Ultra3 SCSI disk 1"
1.3	2	HS8xx Single external cache battery
1.4	28	18.2GB 10000r Ultra3 SCSI disk 1"
1.5	1	HS80 FC Contr with 256MB cache
1.5.1	1	Cache Upg RASK ESA12K 256MB
1.6	1	HS80 FC Contr with 256MB cache
1.6.1	1	Cache Upg RASK ESA12K 256MB

BOM for M2200, controllers and disks

Part Number	Qty	Description
1	1	Modula M2200 shelf, NO controller
1.1	2	ACS V8.5F controller FCAL/PCSW
1.2	6	SCSI cable VHDCI-VHDCI, 1m
1.3	1	HS80 FC Contr with 256MB cache
1.3.1	1	Cache Upg RASK ESA12K 256MB
1.4	1	HS80 FC Contr with 256MB cache
1.4.1	1	Cache Upg RASK ESA12K 256MB
1.5	1	Modula M4314R single buss, 14x 1.0"
1.5.1	10	18.2GB 10000r Ultra3 SCSI disk 1"
1.6	1	Modula M4314R single buss, 14x 1.0"
1.6.1	12	18.2GB 10000r Ultra3 SCSI disk 1"
1.7	1	Modula M4354R dual buss, 7+7, 1.0"
1.7.1	7	18.2GB 10000r Ultra3 SCSI disk 1"
1.8	1	Modula M4354R dual buss, 7+7, 1.0"
1.8.1	9	18.2GB 10000r Ultra3 SCSI disk 1"
2	2	HS8xx Single external cache battery
3	2	Modula M4214R 2nd power supply

Disks Ultra3 10k rpm

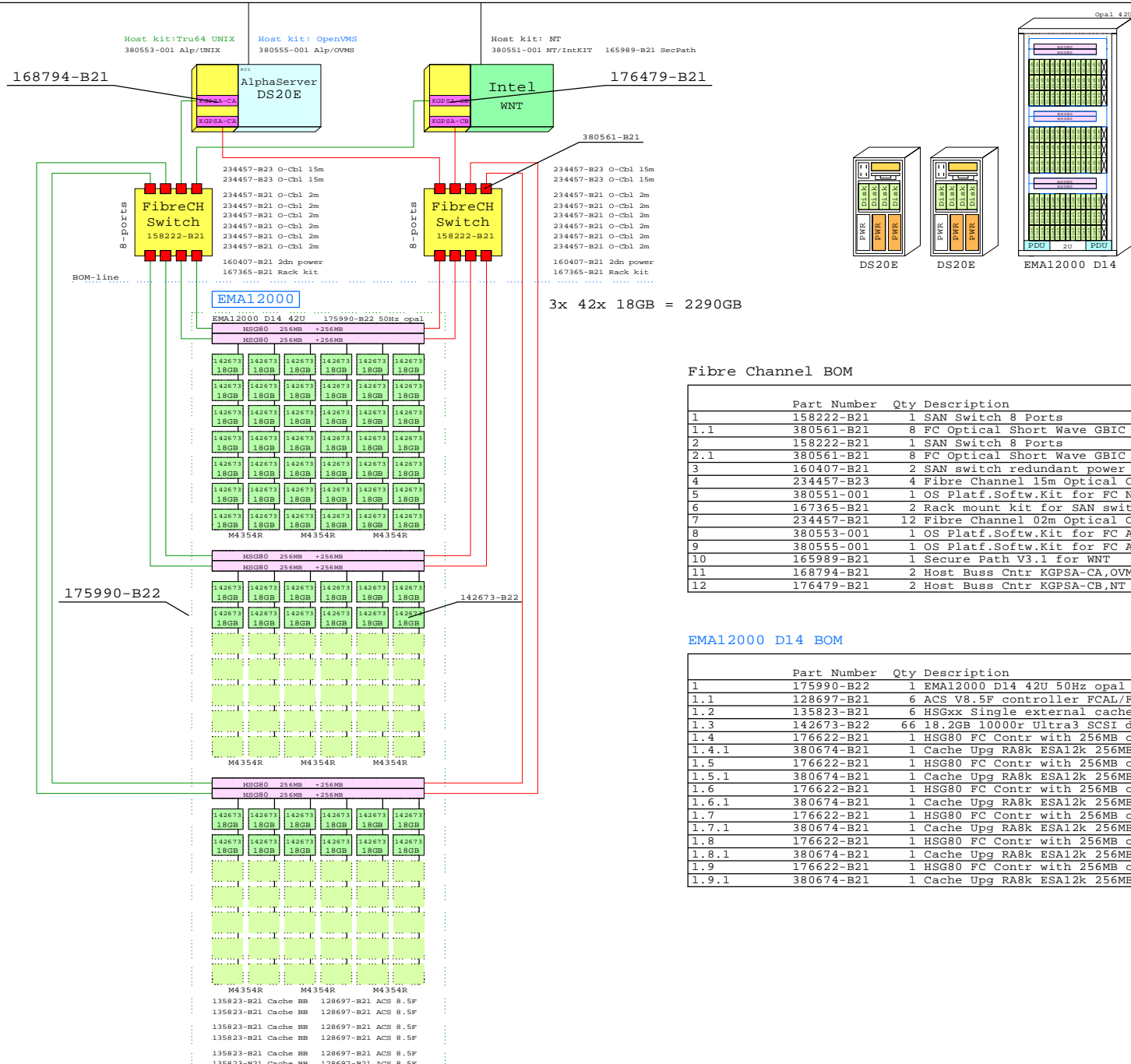
1.0"	9.2GB
1.0"	18.2GB
1.0"	36.4GB
1.0"	72.8GB

Disks Ultra3 15k rpm

1.0"	9.2GB
1.0"	18.2GB

Enterprise Modular Array EMA12000 D14

Ethernet



3x 42x 18GB = 2290GB

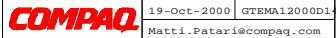
Fibre Channel BOM

Part Number	Qty	Description
158222-B21	1	SAN Switch 8 Ports
1.1	380561-B21	8 FC Optical Short Wave GBIC
2	158222-B21	1 SAN Switch 8 Ports
2.1	380561-B21	8 FC Optical Short Wave GBIC
3	160407-B21	2 SAN switch redundant power supply
4	234457-B23	4 Fibre Channel 15m Optical Cable
5	380551-001	1 OS Platf.Softw.Kit for FC NT/Intel
6	167365-B21	2 Rack mount kit for SAN switch
7	234457-B21	12 Fibre Channel 02m Optical Cable
8	380553-001	1 OS Platf.Softw.Kit for FC Alpha UNIX
9	380555-001	1 OS Platf.Softw.Kit for FC Alpha OVMS
10	165989-B21	1 Secure Path V3.1 for WNT
11	168794-B21	2 Host Buss Cntr KGPSA-CA,OVMS,UNIX
12	176479-B21	2 Host Buss Cntr KGPSA-CB,NT only

EMA12000 D14 BOM

Part Number	Qty	Description
1	175990-B22	1 EMA12000 D14 42U 50Hz opal
1.1	128697-B21	6 ACS V8.5F controller FCAL/FCSW
1.2	135823-B21	6 HSGxx Single external cache battery
1.3	142673-B22	66 18.2GB 10000r Ultra3 SCSI disk 1"
1.4	176622-B21	1 HSG80 FC Contr with 256MB cache
1.4.1	380674-B21	1 Cache Upg RA8k ESA12k 256MB
1.5	176622-B21	1 HSG80 FC Contr with 256MB cache
1.5.1	380674-B21	1 Cache Upg RA8k ESA12k 256MB
1.6	176622-B21	1 HSG80 FC Contr with 256MB cache
1.6.1	380674-B21	1 Cache Upg RA8k ESA12k 256MB
1.7	176622-B21	1 HSG80 FC Contr with 256MB cache
1.7.1	380674-B21	1 Cache Upg RA8k ESA12k 256MB
1.8	176622-B21	1 HSG80 FC Contr with 256MB cache
1.8.1	380674-B21	1 Cache Upg RA8k ESA12k 256MB
1.9	176622-B21	1 HSG80 FC Contr with 256MB cache
1.9.1	380674-B21	1 Cache Upg RA8k ESA12k 256MB

www.Compaq.com/golden-eggs



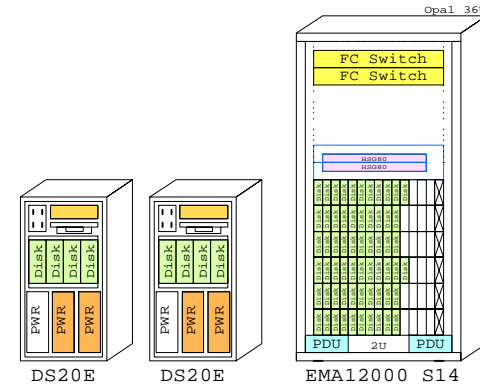
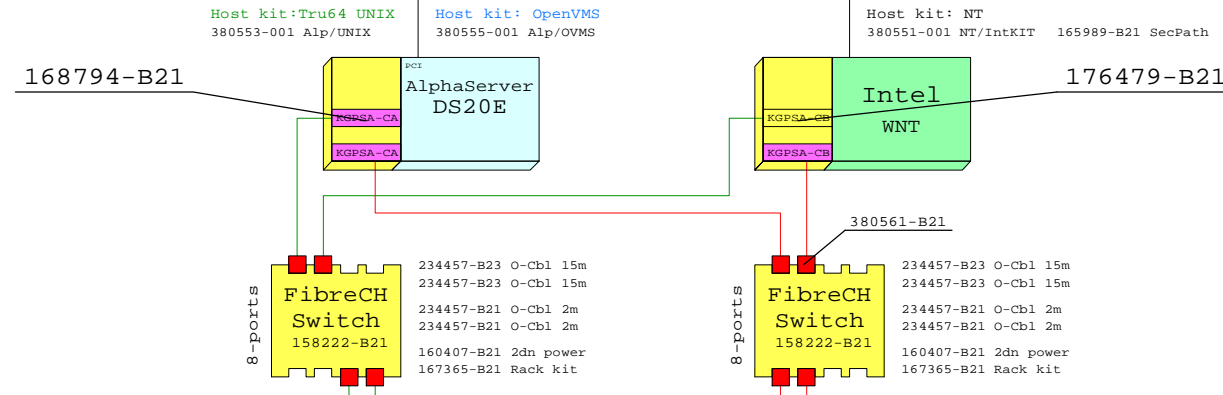
Enterprise Modular Array 12000
GOLDEN EGGS Visuals, Helsinki

EMA12000 D14

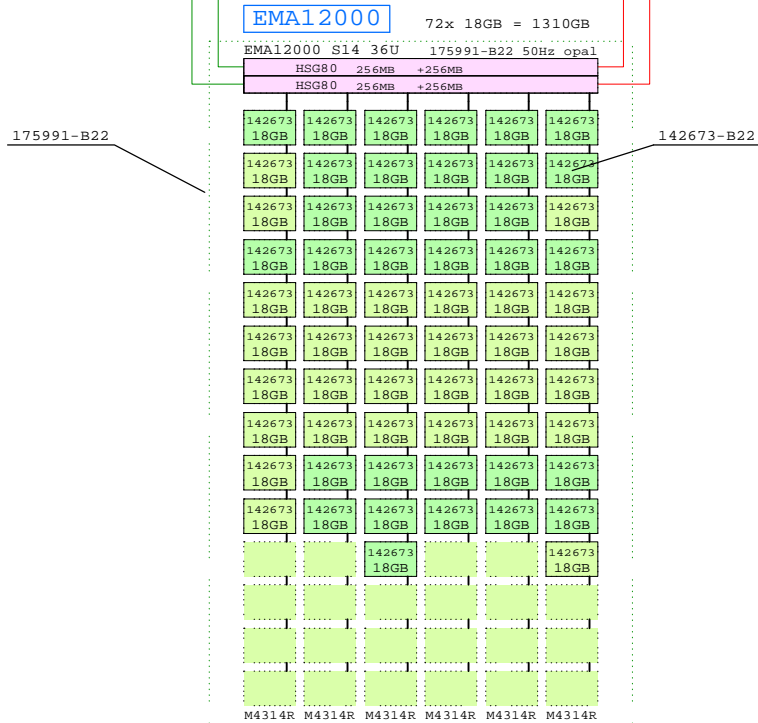
This template is included in the present GOLDEN EGGS Software kit.

Enterprise Modular Array EMA12000 S14

Ethernet



BOM-line



135823-B21 Cache BB 128697-B21 ACS 8.5F
135823-B21 Cache BB 128697-B21 ACS 8.5F

Fibre Channel BOM

	Part Number	Qty	Description
	158222-B21	1	SAN Switch 8 Ports
1	380561-B21	4	FC Optical Short Wave GBIC
2	158222-B21	1	SAN Switch 8 Ports
2.1	380561-B21	4	FC Optical Short Wave GBIC
3	160407-B21	2	SAN switch redundant power supply
4	234457-B23	4	Fibre Channel 15m Optical Cable
5	380551-001	1	OS Platf.Softw.Kit for FC NT/Intel
6	167365-B21	2	Rack mount kit for SAN switch
7	234457-B21	4	Fibre Channel 02m Optical Cable
8	380553-001	1	OS Platf.Softw.Kit for FC Alpha UNIX
9	380555-001	1	OS Platf.Softw.Kit for FC Alpha OVMS
10	165989-B21	1	Secure Path V3.1 for WNT
11	168794-B21	2	Host Buss Cntr KGPSA-CA,OVMS,UNIX
12	176479-B21	2	Host Buss Cntr KGPSA-CB,NT only

EMA12000 S14 BOM

	Part Number	Qty	Description
1	175991-B22	1	EMA12000 S14 36U 50Hz opal
1.1	128697-B21	2	ACS V8.5F controller FCAL/FCSW
1.2	135823-B21	2	HSGxx Single external cache battery
1.3	142673-B22	62	18.2GB 10000r Ultra3 SCSI disk
1.4	176622-B21	1	HSG80 FC Contr with 256MB cache
1.4.1	380674-B21	1	Cache Upg RA8k ESA12k 256MB
1.5	176622-B21	1	HSG80 FC Contr with 256MB cache
1.5.1	380674-B21	1	Cache Upg RA8k ESA12k 256MB

www.Compaq.com/golden-eggs

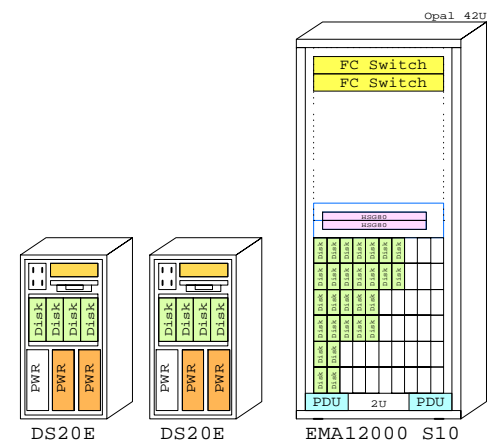
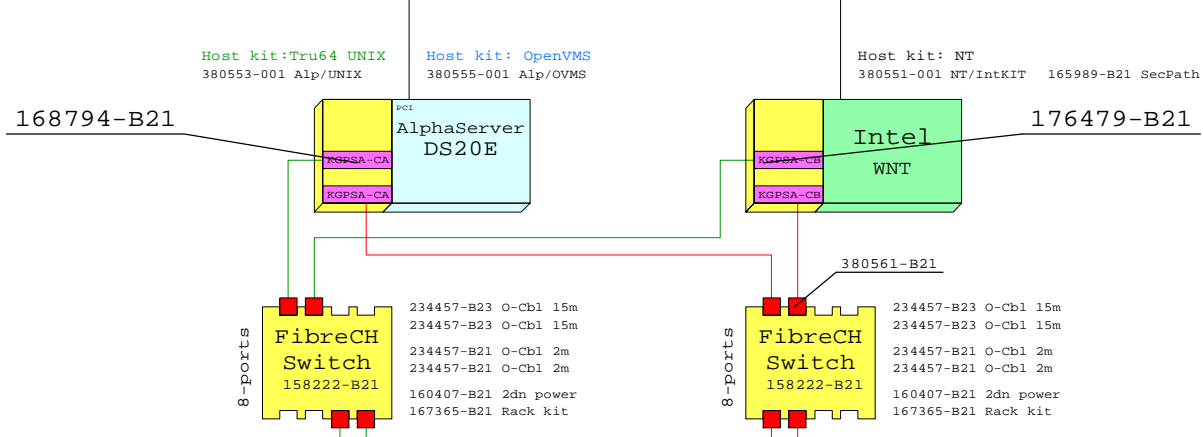
Since Jul-2000

COMPAQ 19-Oct-2000 GTEMA12000S14
Matti.Patari@compaq.com

Enterprise Modular Array 12000
GOLDEN EGGS Visuals, Helsinki

Enterprise Modular Array EMA12000 S10

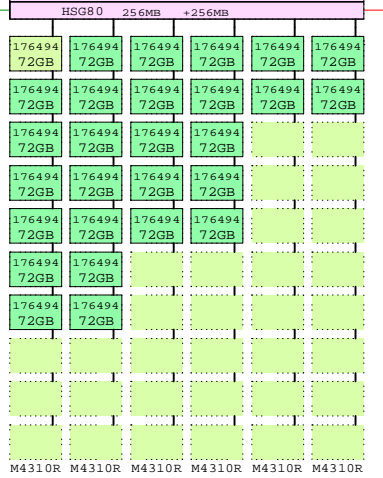
Ethernet



BOM-line

EMA12000 60x 72.8GB = 4368GB

EMA12000 S10 42U 175994-B22 50Hz opal



135823-B21 Cache BB 128697-B21 ACS 8.5F
135823-B21 Cache BB 128697-B21 ACS 8.5F

Fibre Channel BOM

	Part Number	Qty	Description
	158222-B21	1	SAN Switch 8 Ports
1.1	380561-B21	4	FC Optical Short Wave GBIC
2	158222-B21	1	SAN Switch 8 Ports
2.1	380561-B21	4	FC Optical Short Wave GBIC
3	160407-B21	2	SAN switch redundant power supply
4	234457-B23	4	Fibre Channel 15m Optical Cable
5	380551-001	1	OS Platf.Softw.Kit for FC NT/Intel
6	167365-B21	2	Rack mount kit for SAN switch
7	234457-B21	4	Fibre Channel 02m Optical Cable
8	380553-001	1	OS Platf.Softw.Kit for FC Alpha UNIX
9	380555-001	1	OS Platf.Softw.Kit for FC Alpha OVMS
10	165989-B21	1	Secure Path V3.1 for WNT
11	168794-B21	2	Host Buss Cntr KGPSA-CA,OVMS,UNIX
12	176479-B21	2	Host Buss Cntr KGPSA-CB,NT only

EMA12000 S10 BOM

	Part Number	Qty	Description
1	175994-B22	1	EMA12000 S10 42U 50Hz opal
1.1	128697-B21	2	ACS V8.5F controller FCAL/FCSW
1.2	135823-B21	2	HSGxx Single external cache battery
1.3	176494-B21	28	72GB 10000r Ultra3 SCSI disk
1.4	176622-B21	1	HSG80 FC Contr with 256MB cache
1.4.1	380674-B21	1	Cache Upg RA8k ESA12k 256MB
1.5	176622-B21	1	HSG80 FC Contr with 256MB cache
1.5.1	380674-B21	1	Cache Upg RA8k ESA12k 256MB

www.Compaq.com/golden-eggs
Since:Jul-2000

COMPAQ 19-Oct-2000 GTEMA12000S10
Matti.Patari@compaq.com

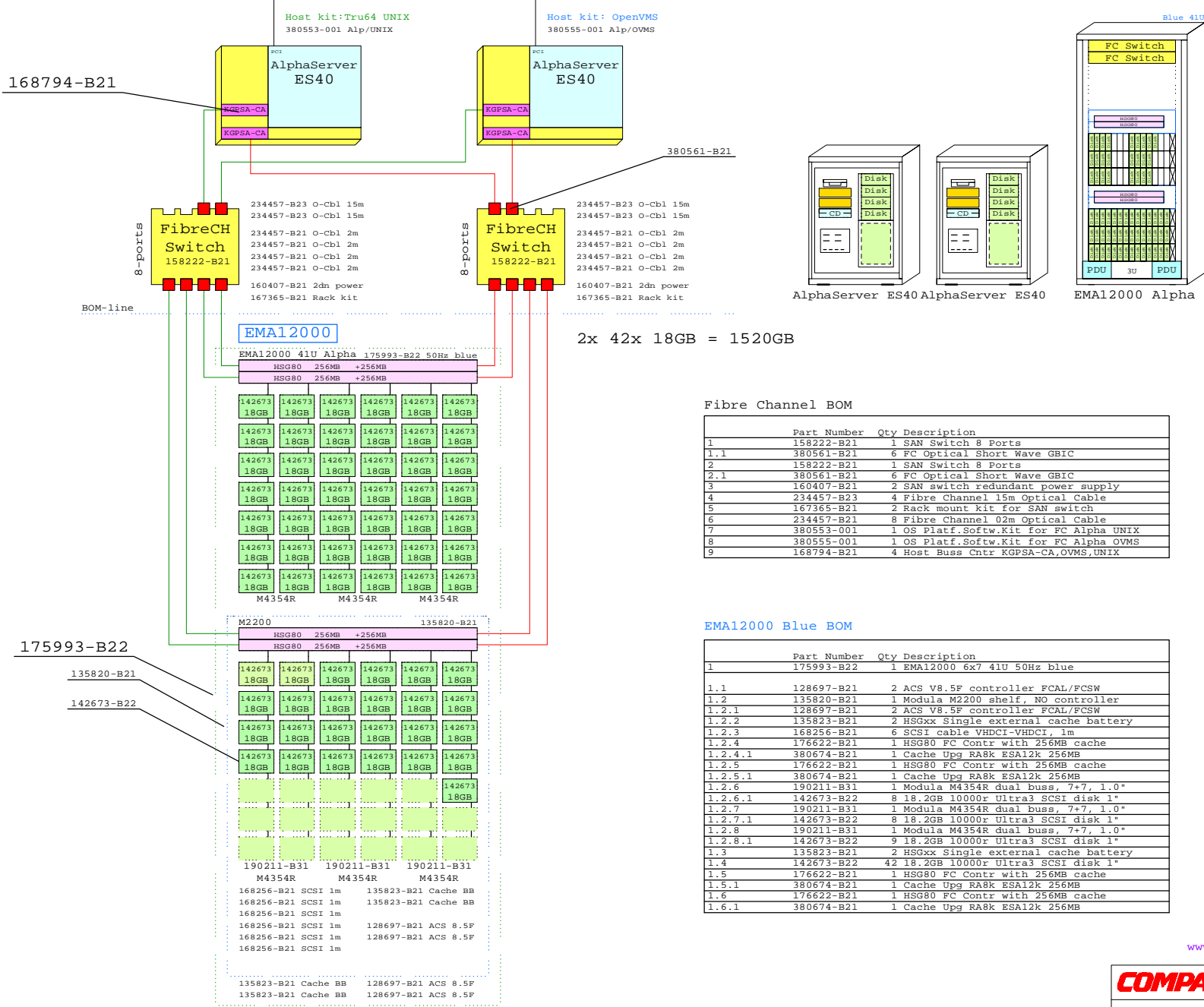
Enterprise Modular Array 12000
GOLDEN EGGs Visuals, Helsinki

This template is included in the present GOLDEN EGGs Software kit.

EMA12000 S10

Enterprise Modular Array EMA12000 Blue

Ethernet



2x 42x 18GB = 1520GB

Fibre Channel BOM

Part Number	Qty	Description
1	15822-B21	1 SAN Switch 8 Ports
1.1	380561-B21	6 FC Optical Short Wave GBIC
2	15822-B21	1 SAN Switch 8 Ports
2.1	380561-B21	6 FC Optical Short Wave GBIC
3	160407-B21	2 SAN switch redundant power supply
4	234457-B23	4 Fibre Channel 15m Optical Cable
5	167365-B21	2 Rack mount kit for SAN switch
6	234457-B21	8 Fibre Channel 02m Optical Cable
7	380553-001	1 OS Platf.Softw.Kit for FC Alpha UNIX
8	380555-001	1 OS Platf.Softw.Kit for FC Alpha OVMS
9	168794-B21	4 Host Buss Cntr KGPSA-CA,OVMS,UNIX

EMA12000 Blue BOM

Part Number	Qty	Description
1	175993-B22	1 EMA12000 6x7 41U 50Hz blue
1.1	128697-B21	2 ACS V8.5F controller FCAL/FCSW
1.2	135820-B21	1 Modula M2200 shelf, NO controller
1.2.1	128697-B21	2 ACS V8.5F controller FCAL/FCSW
1.2.2	135823-B21	2 HSGxx Single external cache battery
1.2.3	168256-B21	6 SCSI cable VHDCI-VHDCI, 1m
1.2.4	176622-B21	1 HSG80 FC Contr with 256MB cache
1.2.4.1	380674-B21	1 Cache Upg RA8K ESA12k 256MB
1.2.5	176622-B21	1 HSG80 FC Contr with 256MB cache
1.2.5.1	380674-B21	1 Cache Upg RA8K ESA12k 256MB
1.2.6	190211-B31	1 Modula M4354R dual buss, 7+7, 1.0"
1.2.6.1	142673-B22	8 18.2GB 10000r Ultra3 SCSI disk 1"
1.2.7	190211-B31	1 Modula M4354R dual buss, 7+7, 1.0"
1.2.7.1	142673-B22	8 18.2GB 10000r Ultra3 SCSI disk 1"
1.2.8	190211-B31	1 Modula M4354R dual buss, 7+7, 1.0"
1.2.8.1	142673-B22	9 18.2GB 10000r Ultra3 SCSI disk 1"
1.3	135823-B21	2 HSGxx Single external cache battery
1.4	142673-B22	42 18.2GB 10000r Ultra3 SCSI disk 1"
1.5	176622-B21	1 HSG80 FC Contr with 256MB cache
1.5.1	380674-B21	1 Cache Upg RA8K ESA12k 256MB
1.6	176622-B21	1 HSG80 FC Contr with 256MB cache
1.6.1	380674-B21	1 Cache Upg RA8K ESA12k 256MB

www.Compaq.com/golden-eggs
Since Jul-2000

COMPAQ 19-Oct-2000 GTEMA12000bl
Matti.Patari@compaq.com

Enterprise Modular Array 12000
GOLDEN EGGS Visuals, Helsinki

This template is included in the present GOLDEN EGGS Software kit.

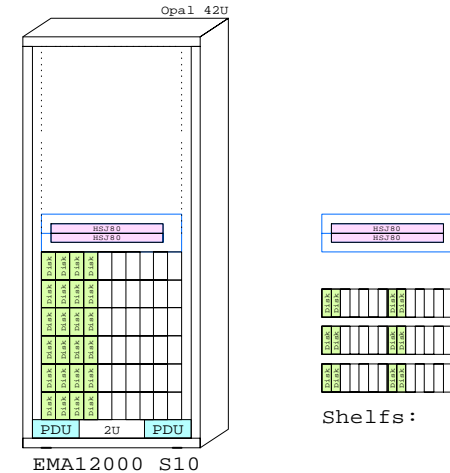
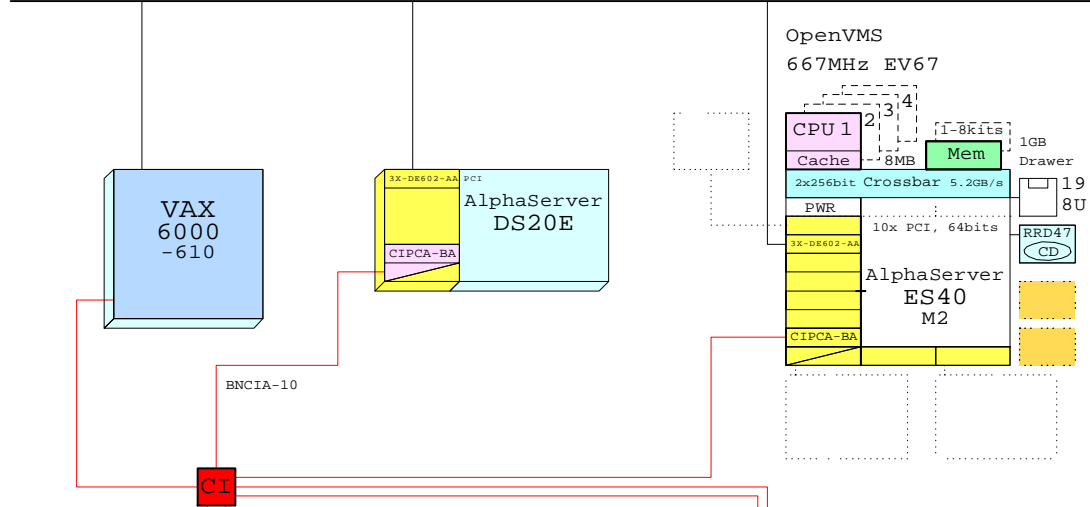
EMA12000 Blue

Enterprise Modular Array EMA12000 CI

1.6" drives

1.0" drives

Ethernet



203694-B21 OpenVMS

BOM-line

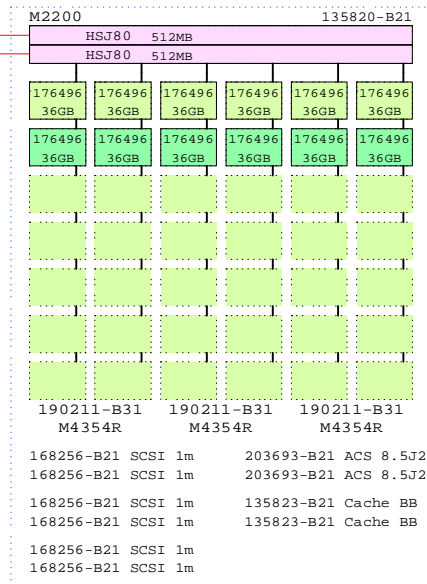
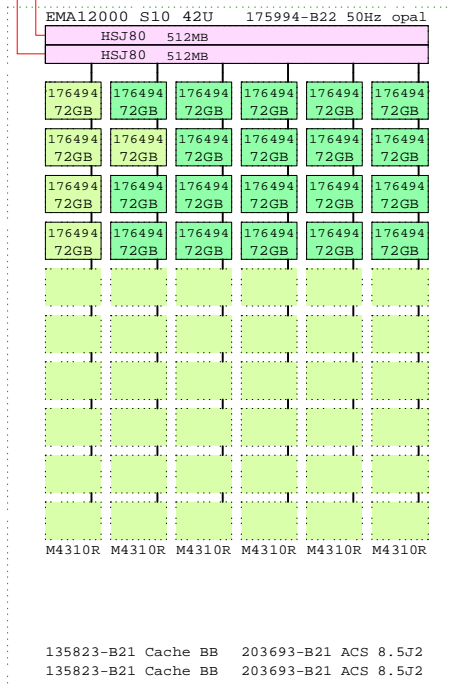
1.6" drives

1.0" drives

EMA12000

60x 72.8GB = 4368GB

Shelves: M2200+ 3xM4354R



BOM for EMA12000

	Part Number	Qty	Description
	175994-B22	1	EMA12000 S10 42U 50Hz opal
1	135823-B21	2	HSGxx Single external cache battery
1.1	176494-B21	24	72GB 10000r Ultra3 SCSI disk 1.6"
1.2	203693-B21	2	ACS V8.5J-2 controller CI software
1.3	204305-B21	2	HSJ80 CI Contr 512MB cache
1.4	203694-B21	1	OS Platf.Softw.Kit for HSJ80 OpenVMS

BOM for Shelves

	Part Number	Qty	Description
1	135820-B21	1	Modula M2200 shelf, NO controller
1.1	135823-B21	2	HSGxx Single external cache battery
1.2	168256-B21	6	SCSI cable VHDCI-VHDCI, 1m
1.3	190211-B31	1	Modula M4354R dual buss, 7+7, 1.0"
1.3.1	176496-B22	4	36GB 10000r Ultra3 SCSI disk 1"
1.4	190211-B31	1	Modula M4354R dual buss, 7+7, 1.0"
1.4.1	176496-B22	4	36GB 10000r Ultra3 SCSI disk 1"
1.5	190211-B31	1	Modula M4354R dual buss, 7+7, 1.0"
1.5.1	176496-B22	4	36GB 10000r Ultra3 SCSI disk 1"
1.6	203693-B21	2	ACS V8.5J-2 controller CI software
1.7	204305-B21	2	HSJ80 CI Contr 512MB cache
2	203694-B21	1	OS Platf.Softw.Kit for HSJ80 OpenVMS

www.Compaq.com/golden-eggs

Since: Oct-2000

COMPAQ	20-Oct-2000	GTEMA12000CI
	Matti.Patari@compaq.com	

EMA12000 for CI
GOLDEN EGGS Visuals, Helsinki

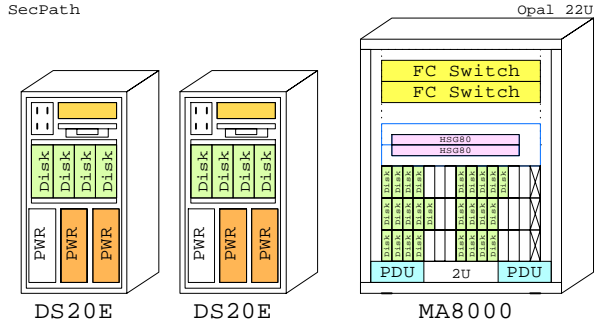
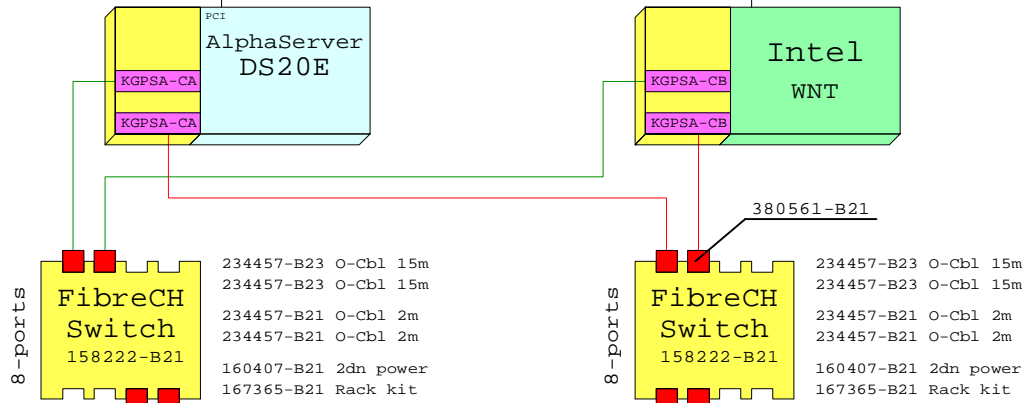
Modular Array MA8000

Ethernet

Host kit: Tru64 UNIX
380553-001 Alp/UNIX

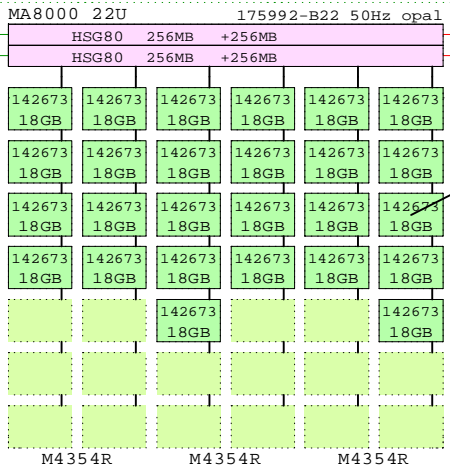
Host kit: OpenVMS
380555-001 Alp/OVMS

Host kit: NT
380551-001 NT/IntKIT 165989-B21 SecPath



BOM-line

MA8000 42x 18GB = 760GB



135823-B21 Cache BB 128697-B21 ACS 8.5F
135823-B21 Cache BB 128697-B21 ACS 8.5F

Fibre Channel BOM

	Part Number	Qty	Description
1	158222-B21	1	SAN Switch 8 Ports
1.1	380561-B21	4	FC Optical Short Wave GBIC
2	158222-B21	1	SAN Switch 8 Ports
2.1	380561-B21	4	FC Optical Short Wave GBIC
3	160407-B21	2	SAN switch redundant power supply
4	234457-B23	4	Fibre Channel 15m Optical Cable
5	380551-001	1	OS Platf.Softw.Kit for FC NT/Intel
6	167365-B21	2	Rack mount kit for SAN switch
7	234457-B21	4	Fibre Channel 02m Optical Cable
8	380553-001	1	OS Platf.Softw.Kit for FC Alpha UNIX
9	380555-001	1	OS Platf.Softw.Kit for FC Alpha OVMS
10	168794-B21	2	Host Buss Cntr KGPSA-CA,OVMS,UNIX
11	176479-B21	2	Host Buss Cntr KGPSA-CB,NT only

MA8000 BOM

	Part Number	Qty	Description
1	175992-B22	1	MA8000 6x7 22U 50Hz opal
1.1	128697-B21	2	ACS V8.5F controller FCAL/FCSW
1.2	135823-B21	2	HSGxx Single external cache battery
1.3	142673-B22	26	18.2GB 10000r Ultra3 SCSI disk
1.4	176622-B21	1	HSG80 FC Contr with 256MB cache
1.4.1	380674-B21	1	Cache Upg RA8k ESA12k 256MB
1.5	176622-B21	1	HSG80 FC Contr with 256MB cache
1.5.1	380674-B21	1	Cache Upg RA8k ESA12k 256MB

www.Compaq.com/golden-eggs
Since: Jul-2000

COMPAQ	19-Oct-2000	GTMA8000a
	Matti.Patari@compaq.com	

Modular Array, MA8000
GOLDEN EGGS Visuals, Helsinki

This template is included in the present GOLDEN EGGS Software kit.

MA8000

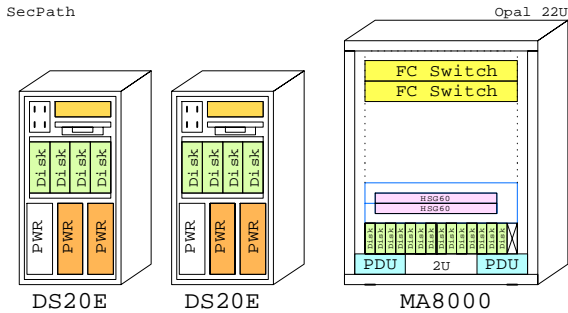
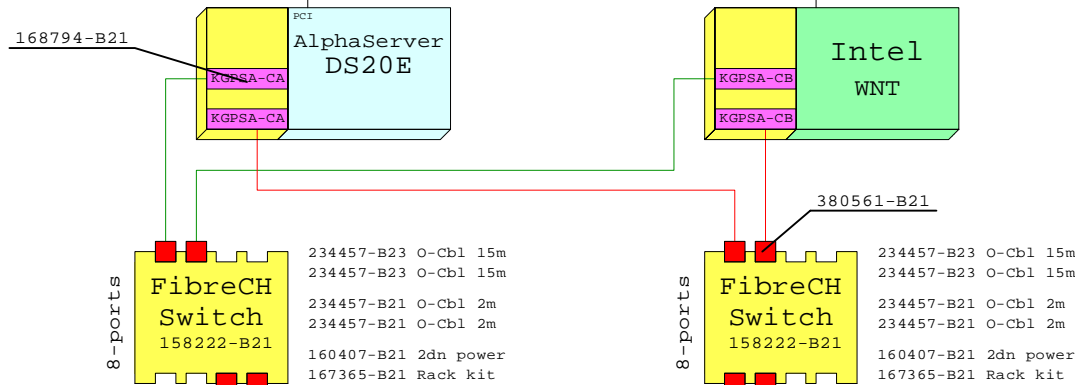
Modular Array MA6000 D14

Ethernet

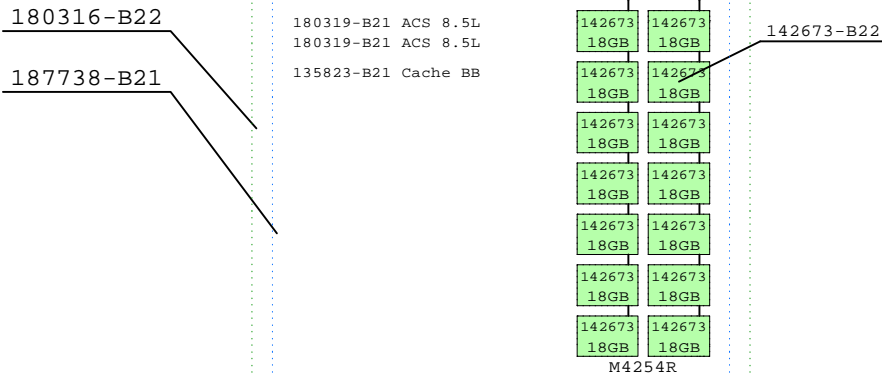
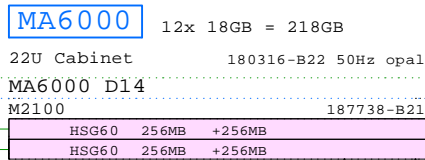
Host kit: Tru64 UNIX
192211-B21 Tru64

Host kit: OpenVMS
192217-B21 OpenVMS

Host kit: NT
192214-B21 NT/IntKIT 165989-B21 SecPath



BOM-line



Fibre Channel BOM

	Part Number	Qty	Description
1	158222-B21	1	SAN Switch 8 Ports
1.1	380561-B21	4	FC Optical Short Wave GBIC
2	158222-B21	1	SAN Switch 8 Ports
2.1	380561-B21	4	FC Optical Short Wave GBIC
3	160407-B21	2	SAN switch redundant power supply
4	192214-B21	1	OS Platf.Softw.Kit for HSG60 NT/Intel
5	234457-B23	4	Fibre Channel 15m Optical Cable
6	167365-B21	2	Rack mount kit for SAN switch
7	234457-B21	4	Fibre Channel 02m Optical Cable
8	192217-B21	1	OS Platf.Softw.Kit for HSG60 OpenVMS
9	192211-B21	1	OS Platf.Softw.Kit for HSG60 Tru64 UNIX
10	168794-B21	2	Host Buss Cntr KGPSA-CA,OVMS,UNIX
11	176479-B21	2	Host Buss Cntr KGPSA-CB,NT only

MA6000 D14 BOM

	Part Number	Qty	Description
1	180316-B22	1	Empty 22U Modula cabinet 50Hz opal
1.1	187738-B21	1	MA6000 D14 1xHSG60 256MB
1.1.1	135823-B21	1	HSGxx Single external cache battery
1.1.2	142673-B22	14	18.2GB 10000r Ultra3 SCSI disk
1.1.3	174134-B21	1	HSG60 FC Contr with 256MB cache
1.1.3.1	380674-B21	1	Cache Upg RA8k ESA12k 256MB
1.1.4	180319-B21	2	ACS V8.5L FC-fab,FC-loop, HSG60
1.1.5	380674-B21	1	Cache Upg RA8k ESA12k 256MB

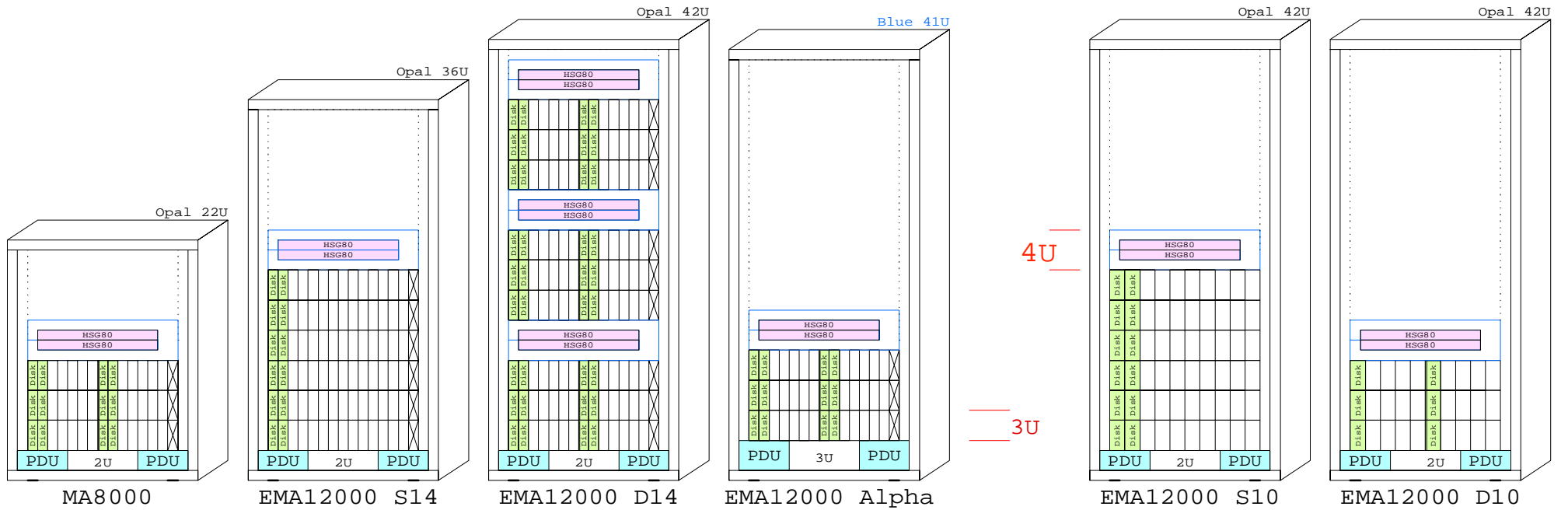
www.Compaq.com/golden-eggs

COMPAQ	07-Sep-2000	GTMA6000a
	Matti.Patari@compaq.com	

Modular Array, MA6000 S14
GOLDEN EGGS Visuals, Helsinki

This template is included in the present GOLDEN EGGS Software kit.

MA6000 D14



GOLDEN EGGS

World Services

Alpha Examples

<http://www.compaq.com/golden-eggs>

GOLDEN EGGS

World Station

Software kits

<http://www.compaq.com/info/golden-eggs/software>

GOLDEN EGGS in eBusiness since 1988

COMPAQ

21-Jun-2000 GE-Internet

Matti.Patari@compaq.com

GOLDEN EGGS Internet Outlets
GOLDEN EGGS Visuals, Helsinki

Ethernet

Dear GOLDEN EGGS Printer,

This is the last page for Electric GOLDEN EGGS of 26-Oct-2000.

The last "real page" was GE-Internet, GOLDEN Outlets.

Please, stay tuned on this Electric GOLDEN EGGS Channel.
More fresh pages are to come in my next E-mails.....

I wish you good Alpha Millenium

Please send your GOLDEN EGGS Software requests to:

Matti.Patari@Compaq.com , Helsinki Finland

Tel: 358-20412-3040

www.Compaq.com/golden-eggs

Since: Sep-1988

COMPAQ

26-Oct-2000 GEG00end

Matti.Patari@Compaq.com

Last page

GOLDEN EGGS Visuals, Helsinki

GOLDEN EGGS in eBusiness since 1988 12 years.

Electric