


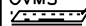
START  
↓

# AlphaServer 1000A 5/400 Systems

Order Number	Operating System	Server Systems, 64Bits	400MHz
#1 PB78B-AA/AB	Windows NT	128MB RX,CD 2.1GB NI NOgraph	
PB78B-AC/AD		256MB RX,CD 2.1GB NI NOgraph	
PB78B-FE/FF	DIGITAL UNIX	128MB RX,CD 2.1GB NI NOgraph	
PB78B-FG/FH		256MB RX,CD 2.1GB NI NOgraph	
PB78B-ME/MF	OpenVMS	128MB RX,CD 2.1GB NI NOgraph	
PB78B-MG/MH		256MB RX,CD 2.1GB NI NOgraph	
120V/240V	PB76B-** at 333MHz	Wide	

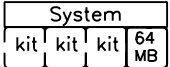
For 240V Use, Select Power Cord and Keyboard.

#2	1x <b>BN19C-2E</b> EUROPE	<b>BN19A-2E</b> GB	<b>BN19K-2E</b> DK	<b>BN19M-2E</b> I
		<b>BN19E-2E</b> CH	<b>BN19L-2E</b> IL	<b>BN19S-2E</b> India

Keyboard	SVGA Color Monitor
#3 <b>LK471</b> -AE GB -AH NL -AN N	 SN-VRCX5-WA/W3 SN-VRTX7-WA/W3 SN-VRCX1-WA/W3 PB2GA-JD Trio64 S3 2MB
NT/UNIX -AB B -AI I -AP F	
#4 <b>LK461</b> -AD DK -AK CH F -AS E	
OVMS -AF FI -AL CH G -AT IL	
 -AG D -AM S -AV P	

## Internal Options:

### Memory Expansion

PB7MA-CB	32MB kit	 System kit kit kit 64 MB	Max memory 4x 256MB = 1GB
PB7MA-CC	64MB kit		
PB7MA-CD	128MB kit		
PB7MA-CE	256MB kit		

### Internal Storage

#### Load/Backup

PBXTL-DA	8GB DAT tape drive
PBXTZ-AA	2GB QIC tape drive

#### Wide disks

KZPSC-AA	RAID 1-port PCI-controller, wide
KZPSC-BA	RAID 3-port PCI-controller, wide
PB7HA-BA	Cable set, take 1 or 2 wide
DS-RZ26N-VZ	1.05GB hard disk, wide 5400
DS-RZ28M-VZ	2.1GB hard disk, wide 5400
RZ28D-VW	2.1GB hard disk, wide 7200
RZ29B-VW	4.3GB hard disk, wide 7200

#### Controllers

KZPAA-AA	F-SCSI-2 PCI-controller, narrow
PB7HA-AA	Internal cable, narrow/wide
KFPSA-AA	PCI-based DSSI controller, OpenVMS
DE450-CA	PCI-based Ethernet Thin/Thick/Twist
DE500-AA	PCI-based Fast Ethernet
DEFPA-AB	FDDI EISA, single attachment
DEFPA-AA	FDDI PCI, single attachment
DNSSES-AA	Synchronous coms. EISA OpenVMS
DJ-ML200-BA	4MB PrestoServe

### Licenses included per system type:

- Windows NT Server V4.0 plus 10-client access, note: NT CD.kit is included in North American packages. For other NT packages order QB-23C8A-SB International English kit or language variant kit QB-23C\*\*-SB.
- DIGITAL UNIX V4.0B unlimited, server extension, Internet AlphaServer System Software kit.
- OpenVMS V7.1 base with System Manager license and Enterprise Integrated Package.

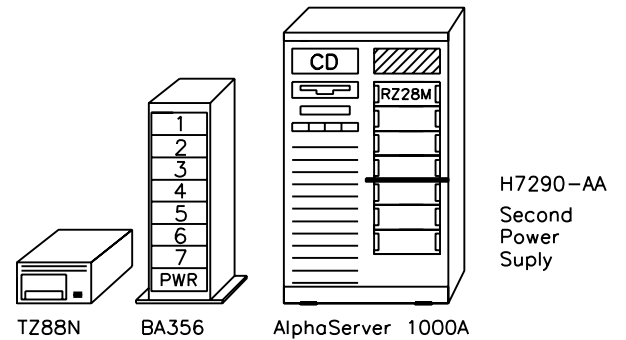
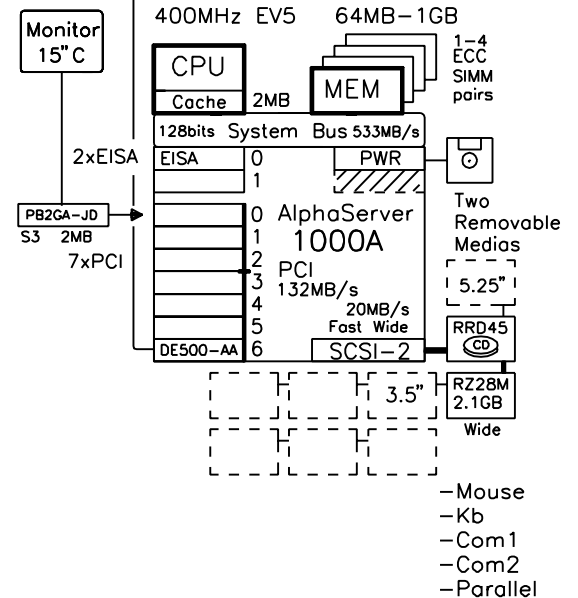
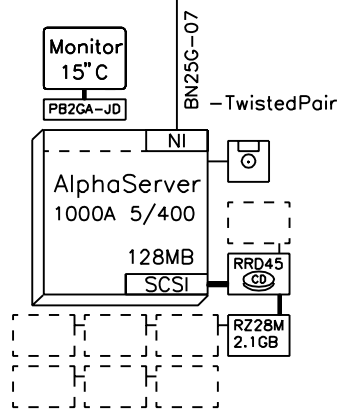
## External Options:

### Tape

TZ88N-TA	40GB tape drive, table top
BN23G-01	SCSI-cable, narrow
BN19C-2E	PowerCable, European
KZPAA-AA	Recommended controller, narrow

### Wide disks

KZPSC-AA	RAID 1-port, PCI, wide
KZPSC-BA	RAID 3-port, PCI, wide
BN31S-1E	Order 1 or 2 SCSI cables, wide
BA356-KC	StorageWorks pedestal, wide
BN19C-2E	Power cable, European
DS-RZ26N-VZ	1.05GB hard disk, wide
DS-RZ28M-VZ	2.1GB hard disk, wide
RZ29B-VW	4.3GB hard disk, wide



SPECint95	SPECfp95	SPECweb96
11.5	11.1	400MHz 790

Software Processor Code: E

digital	18-Jun-1997	Detail Layer
	GEA10B	

AlphaServer 1000A 5/400 Systems  
GOLDEN EGGS Visual Configurations, Helsinki