

AlphaServer 2000 4/200 systems

Order Number	Operating System	Server System, 64Bits 190MHz
#1 DN-241D1-B9	Windows NT Server	64MB RX,CD 2.1GB NI SVGA
DA-241D1-B9	DEC OSF/1 AXP	64MB RX,CD 2.1GB NI SVGA
DY-241D1-B9	OpenVMS AXP	64MB RX,CD 2.1GB NI SVGA

For 240V Use, Select Power Cord and Keyboard.

#2 1x **BNI9C-2E EUROPE** BNI9A-2E (GB) BNI9K-2E (DK)
 BN24T-2E (CH) BNI8L-2E (IL)

Second CPU-module
 450NR-AA NT CPU
 450AR-AA OSF CPU
 450YR-AA VMS CPU

Keyboard SVGA Color Monitor

#3 PCXAL -FE (GB) -FA (NL) -FN (N)
 -FB (B) -FI (I) -FP (F)
 -FD (DK) -FK (CHF) -FS (E)
 KB -NF (FI) -FG (CH) -FA (IL)
 -FG (D) -NF (S) -FV (P)

Monitor VRC15-PA 15"
 VRT17-PA 17"
 VRC21-PA 21"

Internal Options:

Memory Expansion

MS452-UA Upd 32MB MS452-AA 32MB Max Two MS452-BA 128MB MS452-UB 128MB Upd PB2SX-AA EISA-based Prestoserve

64MB In System Second Module
 32MB 32MB
 Memory configuration of initial shipment

Internal Storage

SD001-AA 1-Port EISA RAID + 3x2.1GB =6GB
 SD001-BA 3-Port EISA RAID + 5x2.1GB =10GB
 RZ26L-VA 1.05GB Hard Disk DAT tape drive
 RZ28-VA 2.1GB Hard Disk TLZ07-LG 8GB DAT

Controllers

KZPAA-AA PCI-based Fast SCSI-2 Controller
 KFESA-AA EISA-based DSSI Controller OpenVMS
 DEFEA-AA EISA-based FDDI
 DNSSES-AA EISA-based Synch.

KZPSA-BB PCI FWD (ASE)
 KZPSC-AA PCI RAID 1-port
 KZPSC-BA PCI RAID 3-port

External Options:

TZ87-TA 20GB Tabletop Tape Drive
 BC09D-03 + BNI9C-2E (+ KZPAA-AA if needed)

BA350-KB BA350 StorageWorks

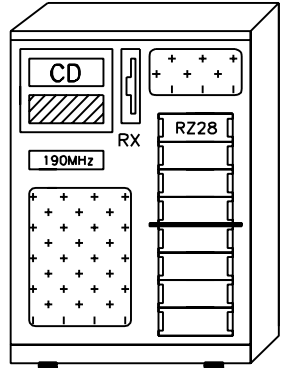
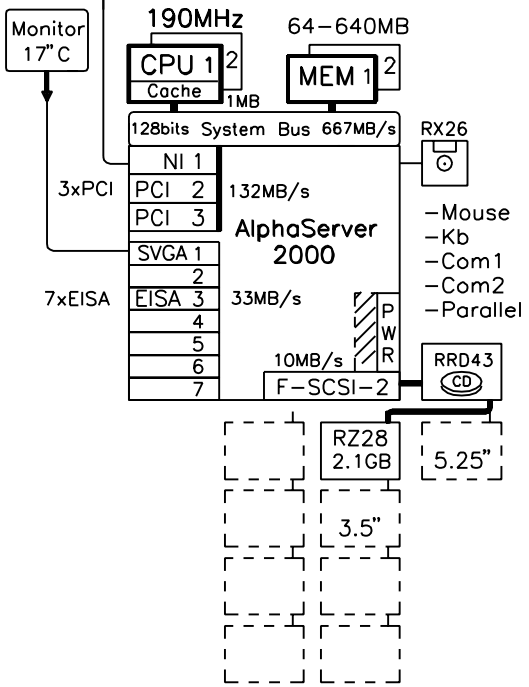
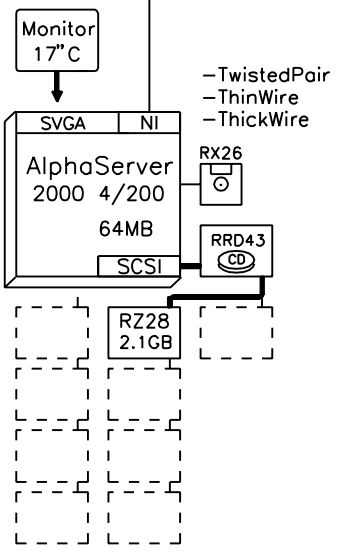
BN21H-02 SCSI Cable 2m

BNI9C-2E 240V PWR

SBB

RZ26L-VA 1.05GB
 RZ28-VA 2.10GB
 TLZ07-VA 8GB

- Windows NT Server + 5-client access, V3.5 media kit
- DEC OSF/1 AXP base license NAS 200 license
- OpenVMS AXP base license, NAS 200 license



AlphaServer 2000

Software Processor Code: G

GOLDas20004200a

digital 5-May-1995 Detail Layer
 Helsinki HSKAPL::PATARI

AlphaServer 2000 4/200 Systems
 GOLDEN EGGS Visual Configurations

2000