

←START

AlphaServer 2100 4/200 & 275 Systems

	190MHz	275MHz	Operating System	Server System	64Bits
#1	DN-251P1-F9	DN-252P1-F9	Windows NT Server	128MB	RX,CD 2.1GB NI SVGA
	DN-251P1-G9	DN-252P1-G9	Windows NT Server	512MB	RX,CD 2.1GB NI SVGA
	DA-251P1-F9	DA-252P1-F9	DEC OSF/1 AXP	128MB	RX,CD 2.1GB NI SVGA
	DA-251P1-G9	DA-252P1-G9	DEC OSF/1 AXP	512MB	RX,CD 2.1GB NI SVGA
	DY-251P1-F9	DY-252P1-F9	OpenVMS AXP	128MB	RX,CD 2.1GB NI SVGA
	DY-251P1-G9	DY-252P1-G9	OpenVMS AXP	512MB	RX,CD 2.1GB NI SVGA

For 240V Use, Select Power Cord and Keyboard.

#2	1x BN19C-2E EUROPE	BN19A-2E	GB	BN19K-2E	DK
		BN24T-2E	CH	BN18L-2E	IL

	Keyboard	SVGA Color Monitor
#3	PCXAL -FE GB -FA NL -FN N	Monitor VRC15-PA 15"
#4	-FB B -FI I -FP F	Monitor VRT17-PA 17"
	-FD DK -FK CH -FS E	Monitor VRC21-PA 21"
	KB -NF FI -FG CH -FA IL	
	-FG D -NF S -FV P	

Internal Options:

Memory Expansion

MS450-BA	64MB		PB2SX-AA
MS450-CA	128MB		EISA-based
MS451-CA	512MB		Prestoserve

Internal Storage

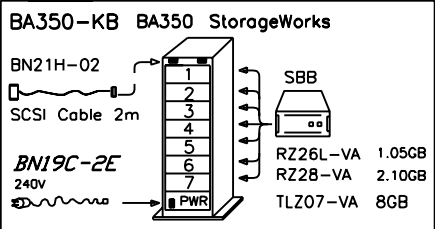
SD001-AA	1-Port EISA RAID + 3x2.1GB	=6GB
SD001-BA	3-Port EISA RAID + 5x2.1GB	=10GB
RZ26L-VA	1.05GB Hard Disk	DAT tape drive
RZ28-VA	2.1GB Hard Disk	TLZ07-LG 8GB DAT

Controllers

KZPAA-AA	PCI-based Fast SCSI-2 Controller	KZPSA-BB	PCI FWD (ASE)
KFESA-AA	EISA-based DSSI Controller OpenVMS	KZPSC-AA	PCI RAID 1-port
DEFEA-AA	EISA-based FDDI	KZPSC-BA	PCI RAID 3-port
DNSES-AA	EISA-based Synchron.		

External Options:

TZ87-TA	20GB Tabletop Tape Drive
BC09D-03	+ BN19C-2E (+ KZPAA-AA if needed)

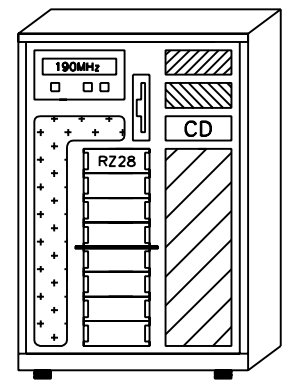
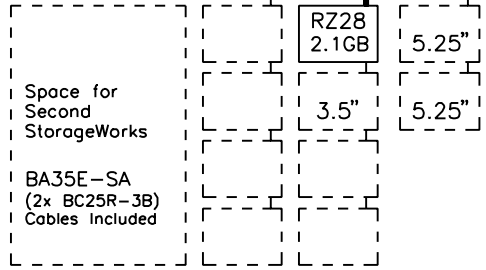
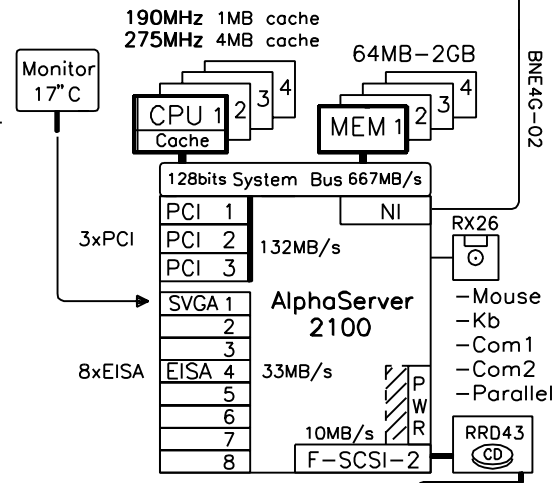
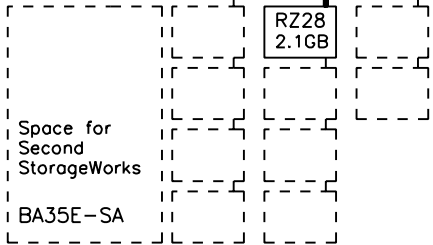
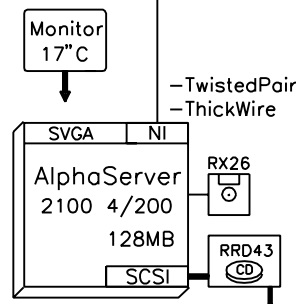


- Windows NT Server + 5-client access, V3.5 media kit
- DEC OSF/1 AXP base license, NAS 200 license
- OpenVMS AXP base license, NAS 200 license

CPU SMP Upgrades

450NR-AA	NT CPU	460NR-AA
450AR-AA	OSF CPU	460AR-AA
450YR-AA	VMS CPU	460YR-AA

190MHZ No MHz Mix ! 275MHZ



AlphaServer 2100

H7893-AA
Second Power Supply

Software Processor Code: G

GOLDas21004200a

digital 5-May-1995 Detail Layer
Helsinki HSKAPL::PATARI

AlphaServer 2100 4/200 & 275
GOLDEN EGGS Visual Configurations

2100