

AlphaServer DS20E 6/500 Systems

| Order number | Operating system | Server systems, 64bits 500MHz |
|---|------------------|-------------------------------|
| #1 DA-56NRA- -DA 256MB -EA 512MB -FA 1GB | DIGITAL UNIX | (Disk) RX,CD (NI SVGA) |
| DY-56NRA-** | OpenVMS | (Disk) RX,CD (NI SVGA) |
| DJ-56NRA-** | Linux Ready | (Disk) RX,CD (NI SVGA) |

#2 Pedestal system

3X-BA56P-PA Pedestal tower kit

3X-BA611-4D Disk drive cage
 DS-RZ2ED-16 Disk drive, 18GB
 SN-KZPCA-AA Ultra2 SCSI adapter
 DE500-BA Ethernet adapter
 BN25G-10 Cable twisted, 10m
 SN-PBXGK-BB Elsa Gloria 8MB
 BN19C-2E Power cord

Cabinet system

3X-BA56R-RA Rack mount kit

3X-BA611-4D Disk drive cage
 DS-RZ2ED-16 Disk drive, 18GB
 SN-KZPCA-AA Ultra2 SCSI adapter
 DE500-BA Ethernet adapter
 BN25G-10 Cable twisted, 10m
 SN-PBXGK-BB Elsa Gloria 8MB
 BN35S-4E CPU power cord for cab

H9A15-MC/MD Cabinet 120V/240V 38U
 H9C15-TE Cabinet rear extender
 H9C15-TF Cabinet front door
 H9C10-MC Ballast kit 40lbs
 YS-ASCAA-AA Factory integration

#3 SVGA color monitor

15" 3R-VRQV5-24/11
 17" SN-VRQP7-24/23
 North/South
 BN39C-02 2m ext.cable

#4 Select a keyboard and one powercord for pedestal.

SN-LKQ47 -AE GB -AG G -AM S
 UNIX, Lin -AB B -AH NL -AN N
 -AD DK -AI I -AP F
 LK461 -AF FI -AK CH -AS E
 OVMS

BN19C-2E Europe
 BN19A-2E GB
 BN19E-2E CH
 BN19K-2E DK
 BN19Z-2E I

Internal options

Memory expansion

| DIMM-kits | Max memory |
|----------------|-------------|
| MS340-CA 256MB | 4x 1GB =4GB |
| MS340-DA 512MB | |
| MS340-EA 1GB | |

Additional CPUs

| | | |
|----------|-------|--------|
| KN310-BB | UNIX | 500MHz |
| KN310-BC | OVMS | 500MHz |
| KN310-BD | Linux | 500MHz |

3rd Power

FR-H7910-AA
 For N+1

Internal storage

Tape storage

TLZ10-LB 12/24GB DAT SCSI tape
 3X-BC56C-2F SCSI cable for tape

Disk storage

DS-RZ2DD-16 9.1GB UltraSCSI disk 10k
 DS-RZ1ED-16 18 GB UltraSCSI disk 10k

KZPCM-DA Dual UltraSCSI +Ethernet
 KZPBA-CA UltraSCSI SE adapter
 BN38C-02 2m SCSI cable,68HD-VHDCI.

KZPAC-CB RAID 3-port, 8MB cache
 KZPSC-UB Cache battery
 BN37A-02 2m SCSI cbl VHDCI-VHDCI.

Controllers

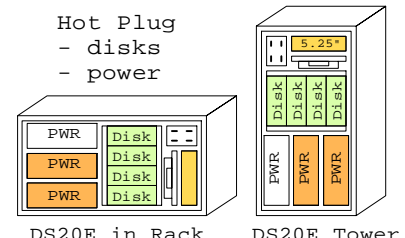
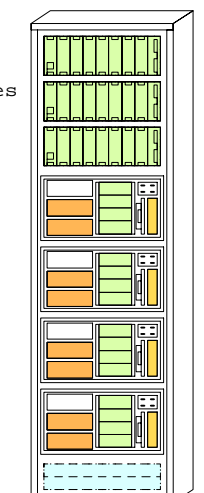
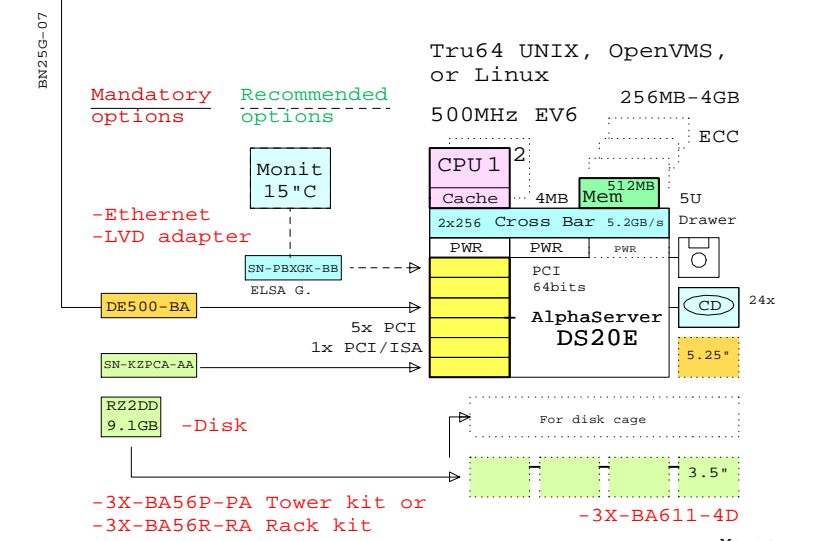
SN-PBXGK-BB ELSA Gloria Graph. 8MB
 DE500-BA Fast Ethernet 10/100
 DEFFA-AB FDDI adapter,SAS MMF
 DEFFA-UB FDDI adapter,SAS TP-PMD
 KZPBA-CB UltraSCSI Diff, 68HD

External options

Tape storage

DS-TZ89N-TA 35/70GB DLT tape,TT
 BN21K-02 SCSI cable, FWD
 BN19C-2E Power cord, Europe
 KZPBA-CA UltraSCSI SE adapter

Shelves
 0-6
 1-6
 Sys



Licenses included:
 - DIGITAL UNIX V4.0F, Base license, Unlimited User license, Server Extension license, and Internet Access Software license and Netscape's Enterprise Server 3.0.
 - OpenVMS V7.2-1, Base license and DIGITAL Enterprise Integration Package.

@500MHz

| | |
|-----------|-------|
| SPECint95 | 28 |
| SPECfp95 | 58 |
| SPECweb96 | 6065 |
| TPC | 11600 |

Software Processor Code: E

| | | |
|---|-------------------------|-----------|
| COMPAQ | 27-Oct-1999 | GEADS20E1 |
| | Matti.Patari@compaq.com | |
| Compaq AlphaServer DS20E Syst. GOLDEN EGGS Visuals, Helsinki | | |

DS20E