

# AlphaServer GS1280 M8 System, EV7/1150, 64bits

Systems & Options

**1** Select M8 System Cabinet  
 DA-1280A-AA Tru64 UNIX  
 DY-1280A-AA OpenVMS

**3** Select memory for CPU BB  
 Max 4x 2GB.  
 RAID is Optional

512MB RAID 128MB  
 1GB 256MB  
 2GB 512MB

3X-MS7AB-AA 3X-MS7AB-AC  
 3X-MS7AB-BA 3X-MS7AB-BC  
 3X-MS7AB-CA 3X-MS7AB-CC

**2** Select CPU Building Blocks

3X-KN72C-AB Tru64  
 3X-KN72C-AC OVMS

CPU BB 3X-KN72C-AB  
 Memory Raid Memory Raid  
 CPU 1150MHz CPU 1150MHz Tru64

**4** Select one Master I/O Drawer

3X-BA70A-AA

Std I/O 33 Master I/O 33  
 AGP 133 Drawer 4U 133  
 66 66 66 66 66 66

3X-BA70A-AA  
 RW CD Ultra3

**5** System Disk 1-2

A3851 3R-A3851-AA 72GB 15k U320  
 A3841 3R-A3841-AA 146GB 10k U320

**6** Ethernet OR Gigabit

3X-DE602-BB Dual port  
 3X-DEGXA-TA UTP/RJ45

**7** Select PDU 1-2  
 120V or 240V

3X-H7606-AA PDU 120/208V  
 3X-H7606-AB PDU 380/415V

Graphics

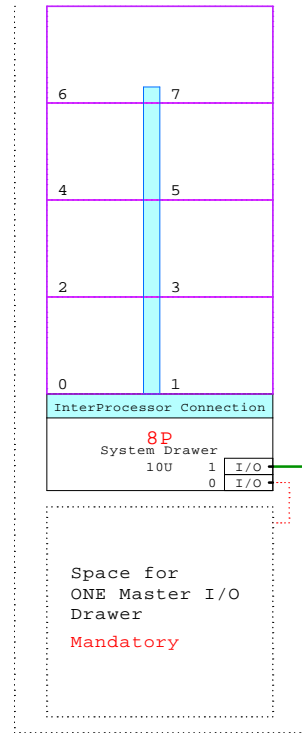
SN-PBXGF-BC 3Dlabs Oxygen Vx1 AGP 2D  
 SN-PBXGG-AB ATI Radeon 7500 2D AGP  
 SN-PBXGG-AC

Fibre Channel

DS-KGPSA-DA DS-KGPSA-DA  
 FibreChannel adapter 2Gbit/s 66MHz 3.3V

## AlphaServer GS1280 Model 8

Tru64 UNIX, EV7 DA-1280A-AA



Optional Second I/O Drawer. Master or Expansion one.

3X-BA70A-AA

Std I/O 33 Master I/O 33  
 AGP 133 Drawer 4U 133  
 66 66 66 66 66 66

3X-BA70A-AA  
 RW CD Ultra3

Each I/O Drawer needs one connection cable, 3X-BNPSA-04

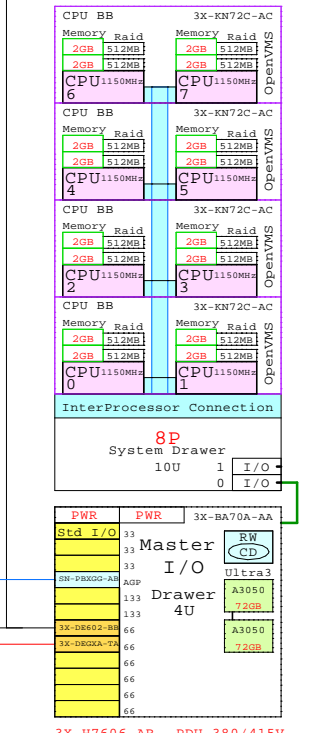
### Mouse and Keyboard

3X-PBQWS-WB Mouse USB  
 3R-LK050-AA USB UNIX  
 3X-LK463-A2 USB OVMS

Gigabit

## AlphaServer GS1280 Model 8

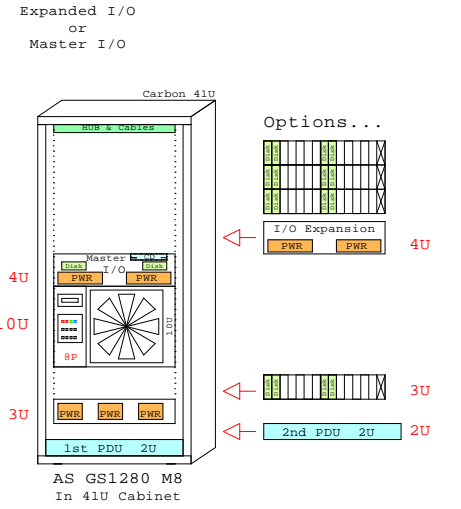
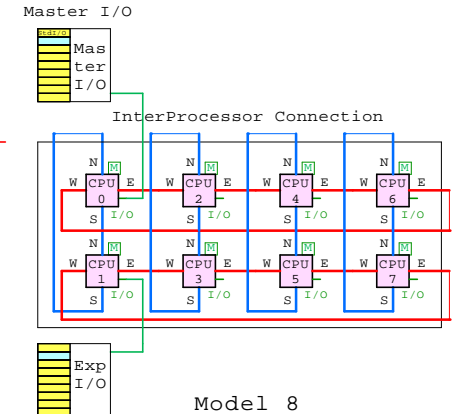
OpenVMS, EV7 DY-1280A-AA



3X-H7606-AB PDU 380/415V  
 3X-BNPSA-04 I/O exp.cable 3.3m  
 3X-PBQWS-WB Mouse USB  
 3X-LK463-A2 USB OVMS

### BOM of this OpenVMS System above

Part Number	Qty	Description
3R-A3050-AA	2	72.8GB 10000r Ultra3 SCSI disk 1"
3R-A3389-AA	1	COMPAQ Monitor P720 17" NH, EU VGAcable
3X-BA70A-AA	1	ES47 Master I/O drawer 4U factory inst.
3X-BNPSA-04	1	GS1280 I/O expansion cable 3.3m
3X-DE602-BB	1	10/100 2xChannel Fast Ethernet, UTP
3X-DEGXA-TA	1	GigabitEthernet single-p 66MHz 3.3V
3X-H7606-AB	1	PDU 380/415V
3X-KN72C-AC	4	GS1280 CPU-BB 2xEV7 1150MHz OpenVMS
3X-LK463-A2	1	U.S./English keyboard OpenVMS, USB
3X-MS7AB-CA	16	GS-ES 2GB Memory Option 4x512 RDRAM
3X-MS7AB-CC	16	GS-ES 512MB RAID Memory 1x512MB RDRAM
DY-1280A-AA	1	AS GS1280 Model 8 System OpenVMS Cabinet
3X-PBQWS-WB	1	Compaq 3-button mouse, USB
SN-PBXGG-AB	1	ATI Radeon 7500 2D AGP graphics accelara



Expansion Cabinet  
 3X-H9A45-ZA  
 41U, No PDUs

@1150MHz  
 SPECint2000 891  
 SPECfp2000 1466  
 Software Processor Code: Q

	30-Dec-2002	GEAGS1280M8a
		Matti.Patari@HP.com

AlphaServer GS1280 M8 1150MHz  
 GOLDEN EGGS Visuals, Helsinki