

AlphaServer GS140 6/700 Systems

Expanded Base Server Systems

DA-394GG-AA/AB Tru64 UNIX 4GB

DY-394GG-AA/AB OpenVMS 4GB
208/416V

Memory modules Additional CPU modules

MS7CC-EA	1GB	3X-764P2-AX UNIX 2-cpu
MS7CC-FA	2GB	3X-764P1-AX OVMS 2-cpu
MS7CC-GA	4GB	

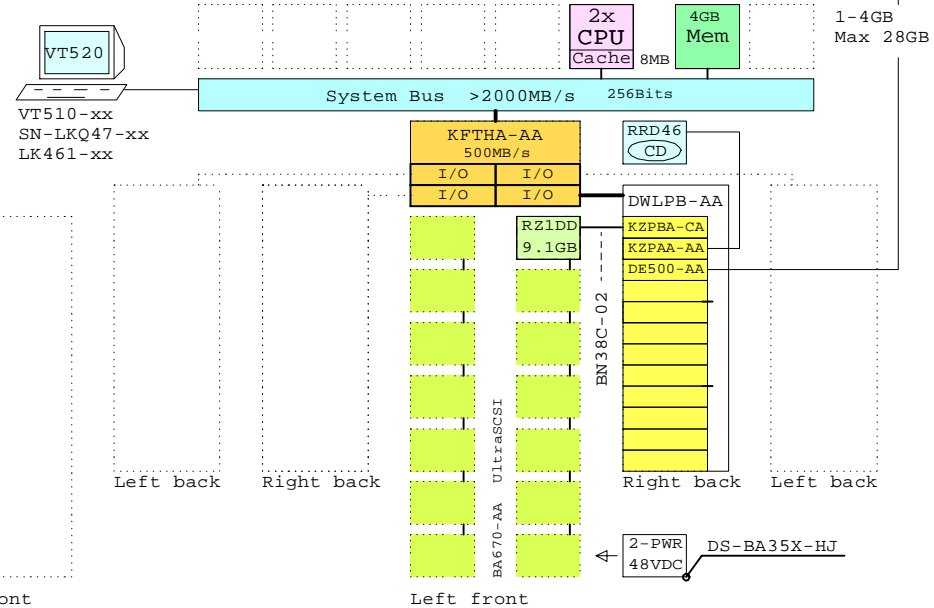
More options

DS-RZ1DD-VW	9.1GB UltraSCSI disk 10k
DS-RZ1ED-VW	18 GB UltraSCSI disk 10K
DS-RZ1FB-VW	36 GB UltraSCSI disk 10k

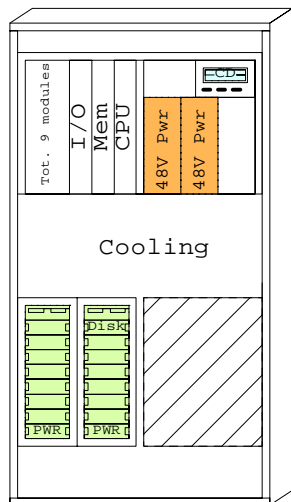
DE500-AA	Fast Ethernet 10/100
DE450-CA	Ethernet, thin/thic/twis
DEFPA-AB	FDDI adapter, SAS MMF
DEFPA-DB	FDDI adapter, DAS MMF
DEFPA-UB	FDDI adapter, SAS TP-PMD
CIPCA-BA	CI controller
KZPSA-BB	SCSI FWD controller
KZPBA-CA	UltraSCSI SE controller
KZPBA-CB	UltraSCSI Dif controller

Expanded Base Server

Tru64 UNIX or
OpenVMS
700MHz EV6 **AlphaServer GS140**

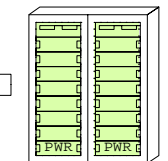


BN25G-07



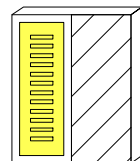
H7263-AA/AB
Power supply 206/418V

BA670-AA/AB
single/dual channel



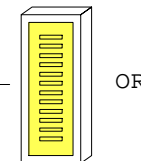
Front or back

DWLPB-AA
12xPCI



Back only

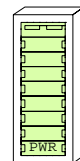
DWLPB-BA
12xPCI



Add-in

OR

BA671-AA/AB
single/dual channel



Add-in

AlphaServer GS140

Licenses included:

- DIGITAL UNIX V4.0e, Base license, Unlimited User license, Server Extension license, and Internet Access Software license and Netscape's Enterprise Server 3.0.
- OpenVMS V7.1-2, Base license and DIGITAL Enterprise Integration Package.

@700MHz
SPECint95 39
SPECfp95 68
SPECweb96
TPC 42437@\$55

Software Processor Code: Q



27-Dec-1999 GEAGS1405
Matti.Patari@compaq.com

GS140

AlphaServer GS140 6/700 System
GOLDEN EGGS Visuals, Helsinki