

← START

Alpha XL 4/266 WorkStations

#1	Order Number	Oper. System	Aplic.	WorkStations, 64Bits	266MHz
	SN-A21AA-NP	Windows NT	CAD 3D	32MB 2MB RX,CD 1GB (no NI)	120V, U.S.
	SN-A21WW-CP	Windows NT	CAD 3D	32MB 2MB RX,CD 1GB (no NI)	240V Worldwide

#2 SVGA Color Monitor

Monitor	Order Number	Size
Monitor	SN-PCXBV-YA/YC	15"
Monitor	SN-PCXAV-EC/ED	17"
Monitor	SN-PCXAV-ZB/ZC	21"

NH/SH

Country Kit for 240V Use

SN-PCAIN	Options
- keyboard	-AE (GB) -AH (NL) -AN (N)
- power cord	-AB (B) -AI (I) -AP (F)
- mouse	-AD (DK) -AK (CHF) -AS (E)
- user doc.	-AF (FI) -AL (CH/G) -AT (IL)
- Windows NT license + doc.	-AG (D) -AM (S) -AV (P)

240V Power Cord for Monitor

#4 1x **BN19C-2E** EUROPE **BN19A-2E** (GB) **BN19K-2E** (DK) **BN19M-2E** (I)

BN19E-2E (CH) **BN18L-2E** (IL) **BN19S-2E** India

Internal Options:

Memory Expansion

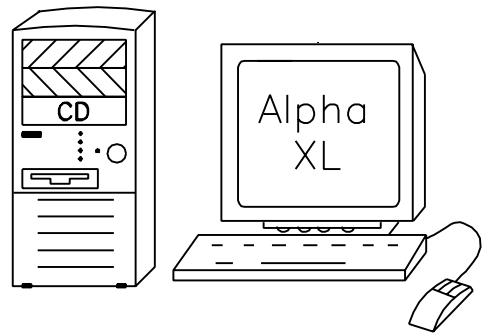
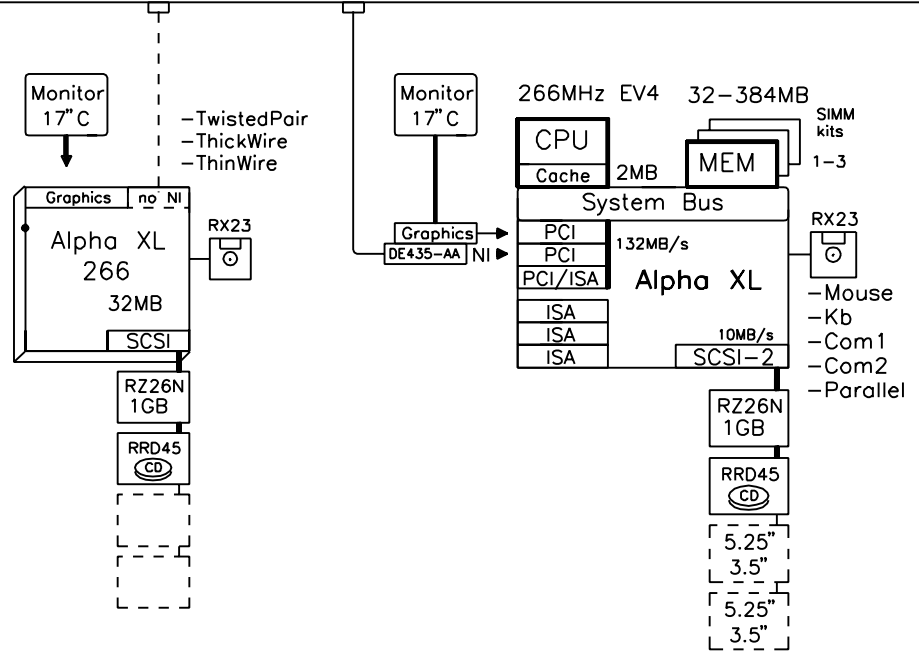
Order Number	Memory Kit	System	Max memory
SN-PC77M-AC	32MB kit	kit	3x 128MB
SN-PC77M-AD	64MB kit	kit	= 384MB
SN-PC77M-AJ	128MB kit	kit	

Internal Storage

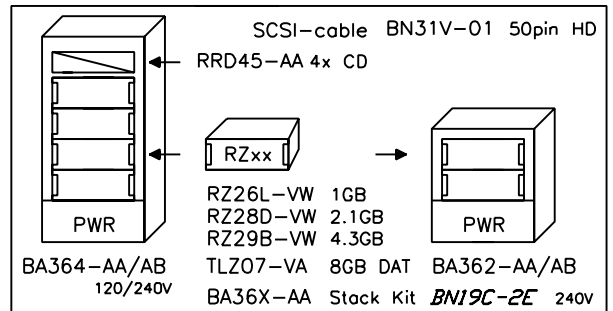
SN-PCXCR-AN	600MB CD-ROM drive
SN-PCXAT-AF	4/8GB DAT-tape drive
SN-PCXAT-AD	2/4GB QIC-tape drive
SN-PCXRE-AA	1.05GB hard disk
SN-PCXAR-AY	2.0GB hard disk
SN-PCXAR-AZ	4.0GB hard disk

Controllers

KZPAA-AA	PCI-based Fast SCSI-2 Controller, narrow
DE435-AA	PCI-based Ethernet Controller
SN-PCXTN-AB	ISA-based TokenRing
PBXGA-AN	PCI-based ZLXp-E1 8PL Graphics
PBXGA-BN	PCI-based ZLXp-E2 24PL Graphics
PBXGA-CN	PCI-based ZLXp-E3 24PL Z Graphics



External Options



SPECint92	SPECfp92
199	263
266MHz	

Software Processor Code: E GEAWOXLB

digital 17-Apr-1996 Detail Layer
GOLDaw00XL4266a

Alpha XL 4/266 WorkStations
GOLDEN EGGS Visual Configurations, Helsinki

XL