

#1 START

# Alpha XL 300/366 Workstations

Order Number Oper. System Aplic. WorkStations, 64Bits **300MHz**

SN-A22AA-NM	Windows NT	CAD 3D	32MB	2MB	RX,CD	1GB	NI
			120V, U.S.	Matrox Millennium	2D/3D graphics, 2MB		
SN-A22WW-CM	Windows NT	CAD 3D	32MB	2MB	RX,CD	1GB	NI
			240V Worldwide	Matrox Millennium	2D/3D graphics, 2MB		

Order Number Oper. System Aplic. WorkStations, 64Bits **366MHz**

SN-A23AA-NM	Windows NT	CAD 3D	32MB	2MB	RX,CD	1GB	NI
			120V, U.S.	Matrox Millennium	2D/3D graphics, 2MB		
SN-A23WW-CM	Windows NT	CAD 3D	32MB	2MB	RX,CD	1GB	NI
			240V Worldwide	Matrox Millennium	2D/3D graphics, 2MB		

#2 SVGA Color Monitor

SN-PCXBV-YA/YC	15"
SN-PCXAV-YB/YC	17"
SN-PCXAV-ZB/ZC	21"
NH/SH	

Country Kit for 240V Use

<b>SN-PCAIN</b>	-AE <b>GB</b>	-AH <b>NL</b>	-AN <b>N</b>
- keyboard	-AB <b>B</b>	-AI <b>I</b>	-AP <b>F</b>
- power cord	-AD <b>DK</b>	-AK <b>CHF</b>	-AS <b>E</b>
- mouse	-AF <b>FI</b>	-AL <b>CHG</b>	-AT <b>IL</b>
- user doc.	-AG <b>D</b>	-AM <b>S</b>	-AV <b>P</b>
- Windows NT license + doc.			

240V Power Cord for Monitor

#4	1x <b>BN19C-2E</b>	EUROPE	<b>BN19A-2E</b>	<b>GB</b>	<b>BN19K-2E</b>	<b>DK</b>	<b>BN19M-2E</b>	<b>I</b>
			<b>BN19E-2E</b>	<b>CH</b>	<b>BN18L-2E</b>	<b>IL</b>	<b>BN19S-2E</b>	India

## Internal Options:

### Memory Expansion

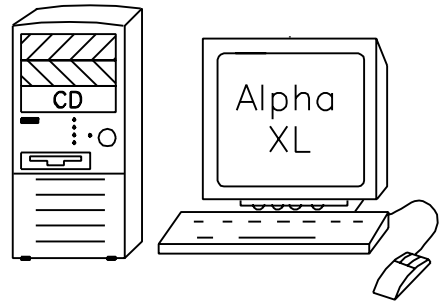
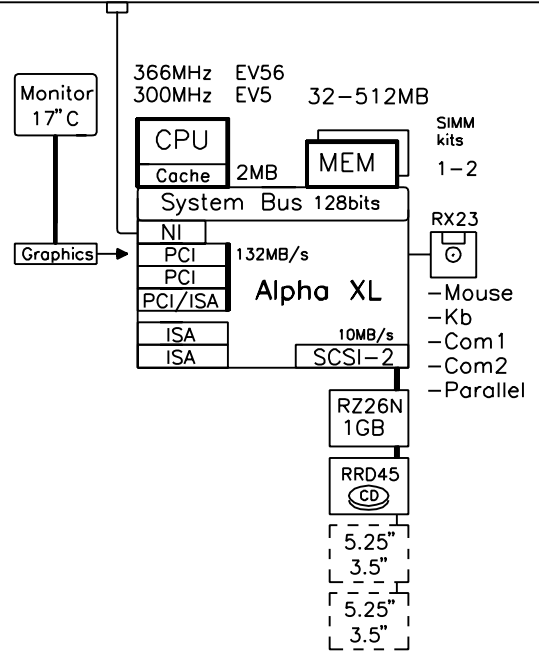
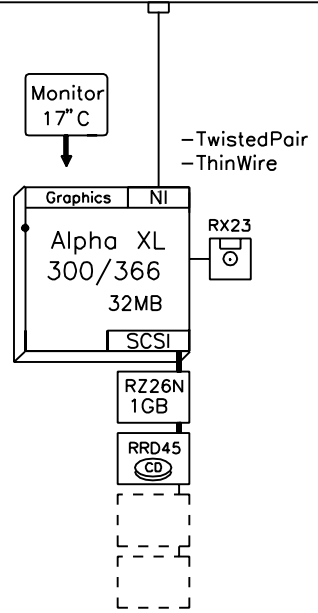
SN-PC77M-AK	32MB kit	System kit	Max memory 2x 256MB = 512MB
SN-PC77M-AL	64MB kit		
SN-PC77M-AM	128MB kit		

### Internal Storage

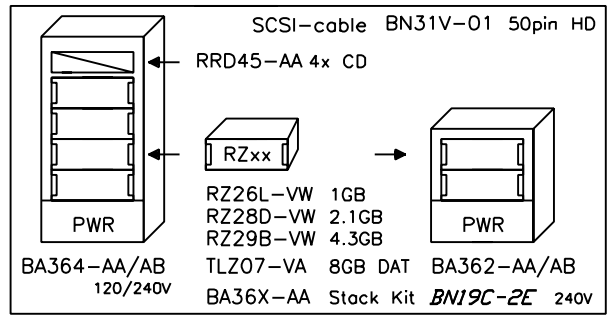
SN-PCXCR-AN	600MB CD-ROM drive
SN-PCXAT-AF	4/8GB DAT-tape drive
SN-PCXAT-AD	2/4GB QIC-tape drive
SN-PCXRE-AB	1GB hard disk
SN-PCXAR-AY	2.1GB hard disk
SN-PCXAR-AZ	4.3GB hard disk

### Controllers

KZPAA-AA	F-SCSI-2 PCI-controller, narrow
DE500-XA	PCI-based FastEthernet controller
PBXGI-AA	POWERSTORM 4D40T 3D graphics
PBXGI-AB	POWERSTORM 4D50T 3D graphics
PBXGI-AC	POWERSTORM 4D60T 3D graphics
SN-PCCAM-CA	2MB WRAM Upg for Matrox
SN-PCXAG-AV	Accelgraphics Accelpro 2000
SN-PCXTN-AB	ISA-based TokenRing



## External Options



## CPU Upgrades:

SN-A230U-AA	233/266	->366MHz
SN-A230U-AB	300	->366MHz

SPECint95	SPECfp95	
7.3	12.2	300MHz
9.8	13.4	366MHz

Software Processor Code: E

GEAWOXL

digital	21-Oct-1996	Detail Layer
	GOLDaw00XL5300a	

Alpha XL 300/366 Workstations  
GOLDEN EGGS Visual Configurations, Helsinki

XL