

AlphaServer DS10 67/600 Systems

Order number	Operating system	Server systems, 64bits 600MHz
#1 DA-73BAA -DA 256MB -EA 512MB -FA 1GB	Tru64 UNIX	(Disk) RX,CD,NI,(Graphics)
DY-73BAA-**	OpenVMS	(Disk) RX,CD,NI,(Graphics)
DJ-73BAA-**	Linux	(Disk) RX,CD,NI,(Graphics)

#2 Select a system disk, IDE or SCSI; SCSI adapter and cable kit.

#3 SVGA color monitor #4 For 240V, select 2x power cords and one keyboard.

15" 3R-VRQV5-24/11
17" 3R-VRQP7-24/23
North/South
BN39C-02 2m ext.cable

SN-LKQ47 UNIX,Lin	-AE GB -AB B -AD DK -AF FI	-AG G -AH NL -AI I -AK CH	-AM S -AN N -AP F -AS E	BN19C-2E Europe BN19A-2E GB BN19E-2E CH BN19K-2E DK BN19M-2E I
----------------------	-------------------------------------	------------------------------------	----------------------------------	--

Internal options

Memory expansion

3X-MS310-CA	256MB	Max memory
3X-MS310-DA	512MB	
3X-MS310-EA	1GB	2x 1GB = 2GB

Internal storage

Tape storage

TLZ10-LB	12/24GB DAT SCSI tape
SN-PBXKP-BA	Wide to narrow adapt
KZPBA-CA	UltraSCSI SE adapter

Disk storage

3X-RE56A-BA	10GB IDE disk 7200
3X-RE57A-BA	30GB IDE disk 7200

3X-BN50A-03 SCSI Cable kit

DS-RZ3EF-WA	18.2GB Ultra3 disk 10k
DS-RZ3FD-WA	36.4GB Ultra3 disk 10k

KZPAC-CB	RAID 3-port, 8MB cache
KZPSC-UB	Cache battery
3X-PBX01-AB	H9Axx Cabinet shelf kit

Adapters

SN-PBXGK-BB	ELSA Gloria Syn. 8MB
3X-DE600-AA	Ethernet 10/100
DEGPA-SA	Gigabit Ethernet
KZPBA-CB	UltraSCSI Diff, 68HD
3X-DEPVZ-AA	1 Ultra2,2D Grap,Ether.
3X-DEPVD-AA	Permedia P2, Ethernet

External options

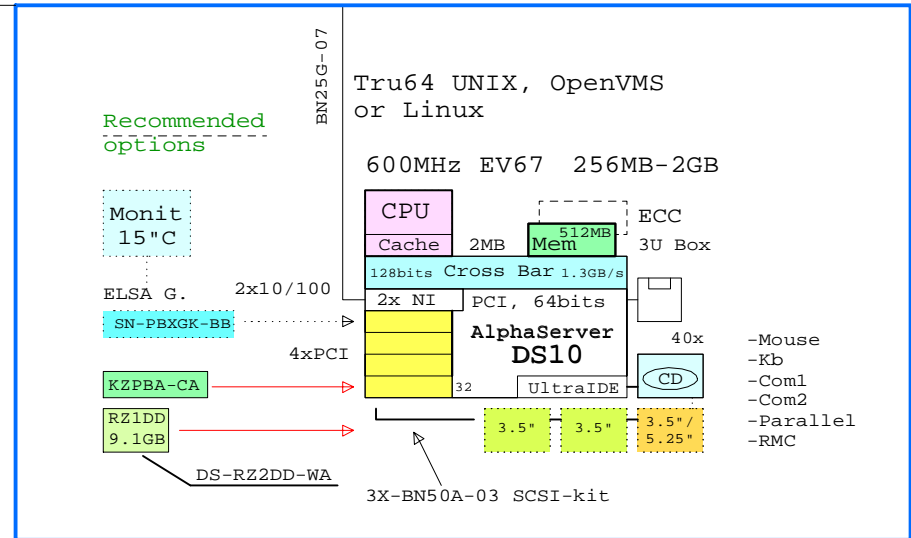
Tape storage

DS-TZ89N-TA	35/70GB DLT tape,TT
BN21K-02	SCSI cable, FWD
BN19C-2E	Power cord, Europe
KZPBA-CA	UltraSCSI SE adapter

Disk storage

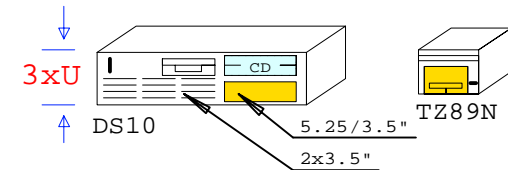
DS-BA356-KF	Pedestal, single bus
DS-BA356-KG	Pedestal, split bus
BN37A-02	2m SCSI,VHDCI-VHDCI
BN19C-2E	Power cord, Europe
KZPAC-AA	RAID 1-port, 4Mbcache

DS-RZ1DD-VW	9.1GB UltraSCSI disk
DS-RZ1ED-VW	18 GB UltraSCSI disk



Mandatory options:

- SCSI adapter
- Cable kit
- System disk or IDE disk only



Licenses included:

- Tru64 UNIX V4.0F, Base license, Unlimited User license, Server Extension license, and Internet Access Software license and Netscape's Enterprise Server.
- OpenVMS V7.1-2, Base license and DIGITAL Enterprise Integration Package.

	@600MHz	@466MHz
SPECint95	35	24
SPECfp95	56	47

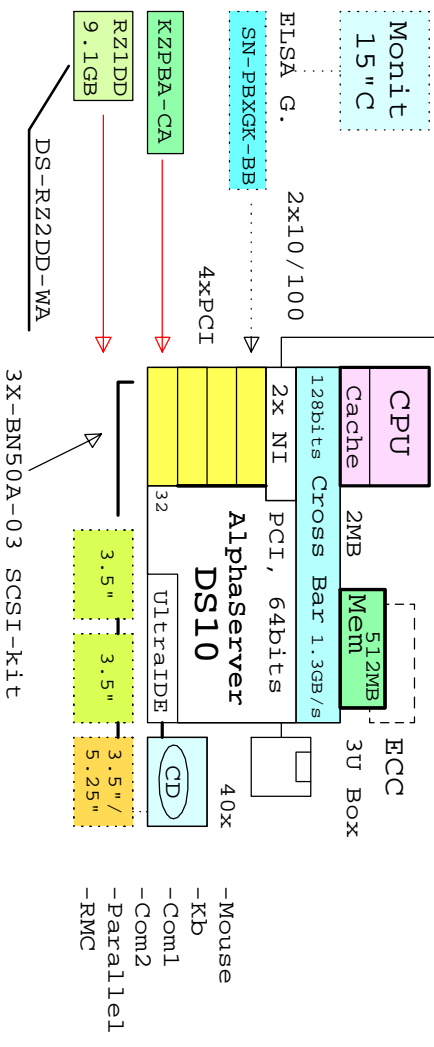
Software Processor Code: E

COMPAQ	19-Dec-2000	GEADS102
	Matti.Patari@Compaq.com	

AlphaServer DS10 600MHz System
GOLDEN EGGS Visuals, Helsinki

BN25G-07

Recommended options

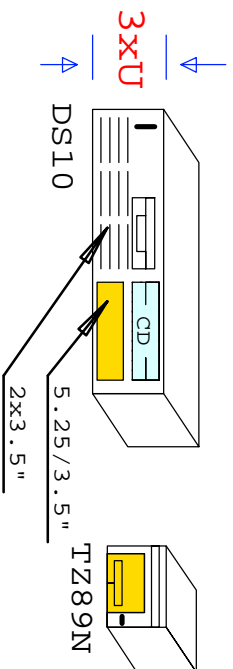


Tru64 UNIX, OpenVMS
or Linux

600MHz EV67 256MB-2GB

Mandatory options:

- SCSI adapter
- Cable kit
- System disk or IDE disk only



Licenses included:

- Tru64 UNIX V4.0F, Base license, Unlimited User license, Server Extension license, and Internet Access Software license and Netscape's Enterprise Server.
- OpenVMS V7.1-2, Base license and DIGITAL Enterprise Integration Package.

	@600MHz	@466MHz
SPECint95	35	24
SPECfp95	56	47
Software Processor Code: E		

COMPAQ	19-Dec-2000	GEADS102
	Matti.Patari@Compaq.com	

AlphaServer DS10 600MHz System
GOLDEN EGGS Visuals, Helsinki

DS10

BN25G-07

Tru64 UNIX, OpenVMS
or Linux

Recommended
options

600MHz EV67 256MB-2GB

Monit
15" C

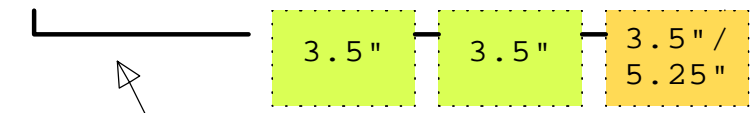
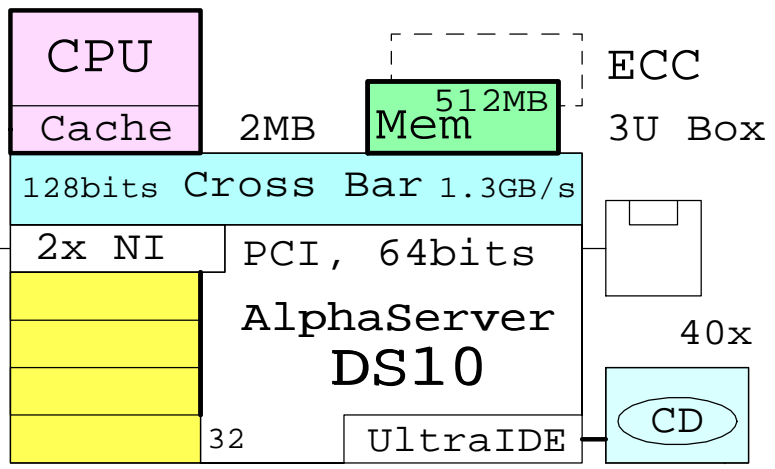
ELSA G.

SN-PBXGK-BB

KZPBA-CA

RZ1DD
9.1GB

DS-RZ2DD-WA



3X-BN50A-03 SCSI-kit

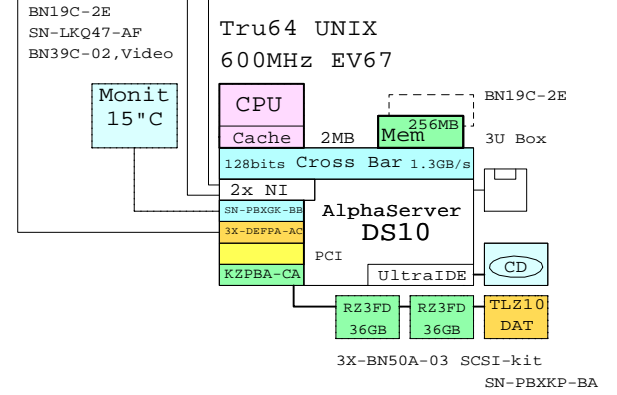
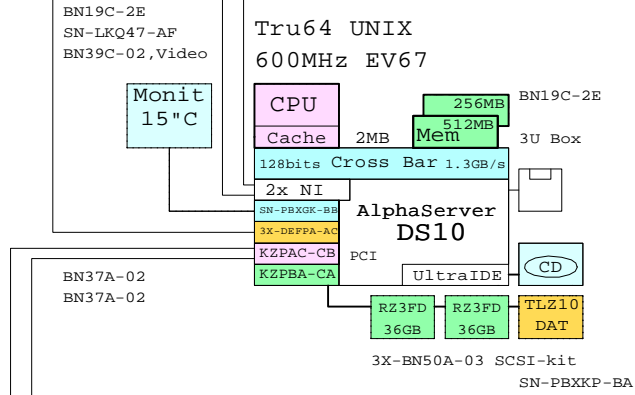
- Mouse
- Kb
- Com1
- Com2
- Parallel
- RMC

Ethernet
Ethernet
FDDI

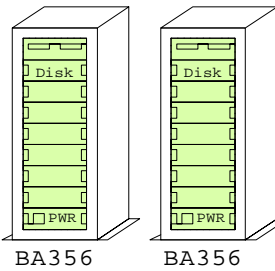
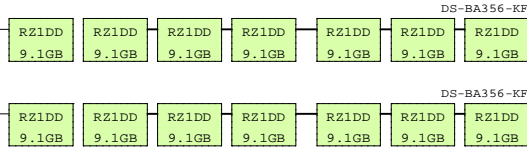
DS10 UNIX Uscsi-based + External RAID

DS10 UNIX One-box

QA-054AA-H8 SW LP PKG U/A CDRM/D
QA-MT4AA-GZ Dig UNIX Alpha DOC F
QA-MT4AA-H8 Dig UNIX Alpha CDRM



External BA356s



Bill of Material for Uscsi-system

Part Number	Qty	Description
1	1	DA-73BAA-EA AS DS10 67/600 512MB UNIX
1.1	1	3R-VRQV5-24 COMPAQ V55 CLR MON,NH,TCO95
1.2	1	3X-DEFPA-AC PCI to FDDI SAS MMF with SC,Universal
1.3	1	3X-MS310-CA DS10 256MB DIMM MEM
1.4	1	BN19C-2E PowerCable 240V, C-Europe
1.5	1	BN39C-02 1.8 Video Extension Cable ****
1.6	2	DS-RZ3FD-WA 36.4GB 10kRPM Ultra3 SCSI Disk
1.7	1	KZPAC-CB 3 Chan. SCSI RAID 8MB UltraW
1.8	1	KZPBA-CA PCI to UltraSCSI Adapter UWSE
1.9	1	SN-PBXGK-BB Elsa Gloria Synergy 8M Video Graphics
1.10	1	TLZ10-LB 12/24GB 4mm DAT 5.25" HH
2	1	DS-BA356-KF Pedestal Storage, UltraW, Single-Bus
2.1	7	DS-RZ1DD-VW 9.1GB 10000r UltraSCSI disk
3	1	DS-BA356-KF Pedestal Storage, UltraW, Single-Bus
3.1	7	DS-RZ1DD-VW 9.1GB 10000r UltraSCSI disk
4	1	3X-BN50A-03 SCSI cable kit, LED, 3x disk
5	1	SN-LKQ47-AF 102 KEY KYBD,NON-WIN, Finnish
6	1	SN-PBXKP-BA WIDE TO NARROW SCSI ADAPTER
7	3	BN19C-2E PowerCable 240V, C-Europe
8	2	BN37A-02 Ultra Chl VHDCI - VHDCI

Bill of Material for one-box system

Part Number	Qty	Description
1	1	DA-73BAA-DA AS DS10 67/600 256MB UNIX
1.1	1	3R-VRQV5-24 COMPAQ V55 CLR MON,NH,TCO95
1.2	1	3X-DEFPA-AC PCI to FDDI SAS MMF with SC,Universal
1.3	1	BN19C-2E PowerCable 240V, C-Europe
1.4	1	BN39C-02 1.8 Video Extension Cable ****
1.5	2	DS-RZ3FD-WA 36.4GB 10kRPM Ultra3 SCSI Disk
1.6	1	KZPBA-CA PCI to UltraSCSI Adapter UWSE
1.7	1	SN-PBXGK-BB Elsa Gloria Synergy 8M Video Graphics
1.8	1	TLZ10-LB 12/24GB 4mm DAT 5.25" HH
2	1	3X-BN50A-03 SCSI cable kit, LED, 3x disk
3	1	SN-LKQ47-AF 102 KEY KYBD,NON-WIN, Finnish
4	1	SN-PBXKP-BA WIDE TO NARROW SCSI ADAPTER
5	1	BN19C-2E PowerCable 240V, C-Europe

www.Compaq.com/golden-eggs
Since:Oct-2000

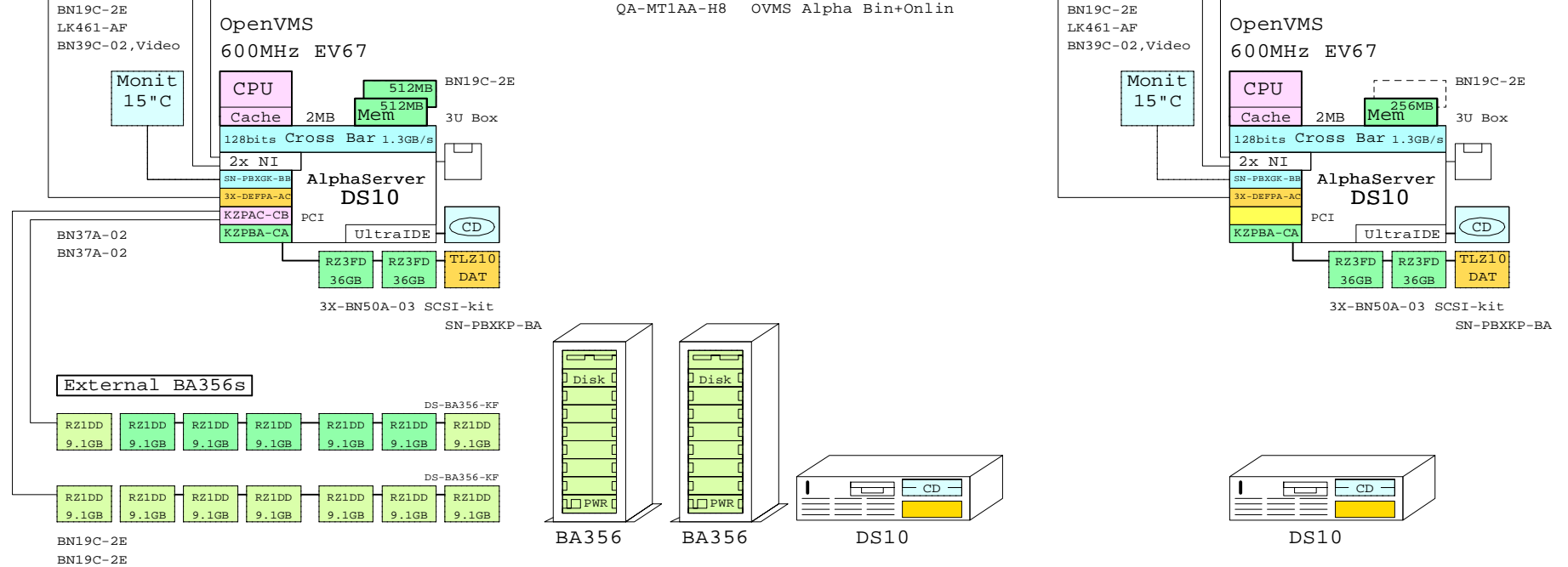


06-Feb-2001 GTAUDS102
Matti.Patari@Compaq.com

AlphaServer DS10 UNIX Systems
GOLDEN EGGS Visuals, Helsinki

Ethernet DS10 OpenVMS Uscsi-based + External RAID DS10 OpenVMS One-box
 Ethernet
 FDDI

QA-001AA-GZ OVMS Full Documentat
 QA-03XAA-H8 SW LP PKG V/A DOC CD
 QA-MT1AA-H8 OVMS Alpha Bin+Onlin



Bill of Material for Uscsi-system

Part Number	Qty	Description
1	1	DY-73BAA-EA AS DS10 67/600 512MB OpenVMS
1.1	1	3R-VRQV5-24 COMPAQ V55 CLR MON,NH,TCO95
1.2	1	3X-DEFFA-AC PCI to FDDI SAS MMF with SC,Universal
1.3	1	3X-MS310-DA DS10 512MB DIMM MEM
1.4	1	BN19C-2E PowerCable 240V, C-Europe
1.5	1	BN39C-02 1.8 Video Extension Cable ****
1.6	2	DS-RZ3FD-WA 36.4GB 10kRPM Ultra3 SCSI Disk
1.7	1	KZPAC-CB 3 Chan. SCSI RAID 8MB UltraW
1.8	1	KZPBA-CA PCI to UltraSCSI Adapter UWSE
1.9	1	SN-PBXGK-BB Elsa Gloria Synergy 8M Video Graphics
1.10	1	TLZ10-LB 12/24GB 4mm DAT 5.25" HH
2	1	DS-BA356-KF Pedestal Storage, UltraW, Single-Bus
2.1	7	DS-RZ1DD-VW 9.1GB 10000r UltraSCSI disk
3	1	DS-BA356-KF Pedestal Storage, UltraW, Single-Bus
3.1	7	DS-RZ1DD-VW 9.1GB 10000r UltraSCSI disk
4	1	3X-BN50A-03 SCSI cable kit, LED,3x disk
5	1	SN-PBXKP-BA WIDE TO NARROW SCSI ADAPTER
6	3	BN19C-2E PowerCable 240V, C-Europe
7	2	BN37A-02 Ultra Chl VHDCI - VHDCI
8	1	LK461-AF VMS STYLE KEYBOARD, Fin/Swed

Bill of Material for One-box system

Part Number	Qty	Description
1	1	DY-73BAA-DA AS DS10 67/600 256MB OpenVMS
1.1	1	3R-VRQV5-24 COMPAQ V55 CLR MON,NH,TCO95
1.2	1	3X-DEFFA-AC PCI to FDDI SAS MMF with SC,Universal
1.3	1	BN19C-2E PowerCable 240V, C-Europe
1.4	1	BN39C-02 1.8 Video Extension Cable ****
1.5	2	DS-RZ3FD-WA 36.4GB 10kRPM Ultra3 SCSI Disk
1.6	1	KZPBA-CA PCI to UltraSCSI Adapter UWSE
1.7	1	SN-PBXGK-BB Elsa Gloria Synergy 8M Video Graphics
1.8	1	TLZ10-LB 12/24GB 4mm DAT 5.25" HH
2	1	3X-BN50A-03 SCSI cable kit, LED,3x disk
3	1	SN-PBXKP-BA WIDE TO NARROW SCSI ADAPTER
4	1	BN19C-2E PowerCable 240V, C-Europe
5	1	LK461-AF VMS STYLE KEYBOARD, Fin/Swed

www.Compaq.com/golden-eggs
 Since:Oct-2000

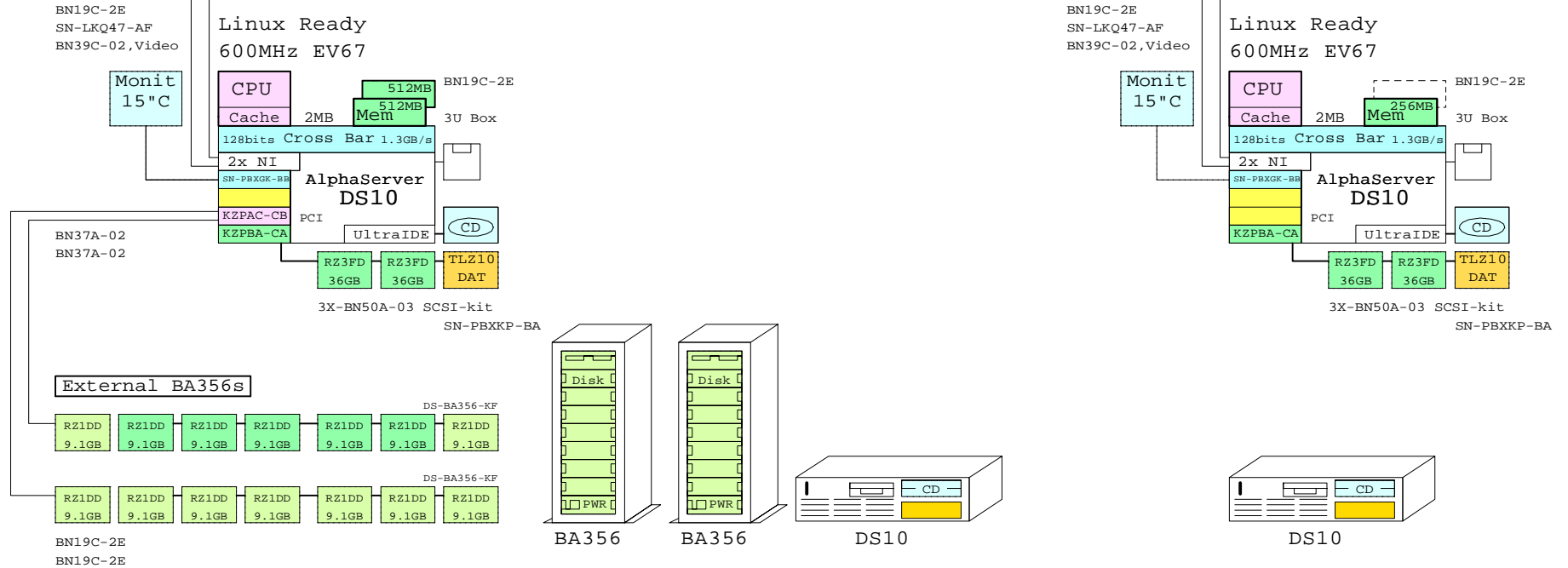
COMPAQ 06-Feb-2001 GTAVDS102
 Matti.Patari@Compaq.com

AlphaServer DS10 OpenVMS Syst.
 GOLDEN EGGS Visuals, Helsinki

Ethernet
Ethernet

DS10 Linux Ready Uscsi-based + External RAID

DS10 Linux Ready One-box



Bill of Material for Uscsi-system

	Part Number	Qty	Description
1	DJ-73BAA-EA	1	AS DS10 67/600 512MB Linux Ready
1.1	3R-VRQV5-24	1	COMPAQ V55 CLR MON,NH,TCO95
1.2	3X-MS310-DA	1	DS10 512MB DIMM MEM
1.3	BN19C-2E	1	PowerCable 240V, C-Europe
1.4	BN39C-02	1	1.8 Video Extension Cable ****
1.5	DS-RZ3FD-WA	2	36.4GB 10kRPM Ultra3 SCSI Disk
1.6	KZPAC-CB	1	3 Chan. SCSI RAID 8MB UltraW
1.7	KZPBA-CA	1	PCI to UltraSCSI Adapter UWSE
1.8	SN-PBXGK-BB	1	Elsa Gloria Synergy 8M Video Graphics
1.9	TLZ10-LB	1	12/24GB 4mm DAT 5.25" HH
2	DS-BA356-KF	1	Pedestal Storage, UltraW, Single-Bus
2.1	DS-RZ1DD-VW	7	9.1GB 10000r UltraSCSI disk
3	DS-BA356-KF	1	Pedestal Storage, UltraW, Single-Bus
3.1	DS-RZ1DD-VW	7	9.1GB 10000r UltraSCSI disk
4	3X-BN50A-03	1	SCSI cable kit, LED,3x disk
5	SN-LKQ47-AF	1	102 KEY KYBD, NON-WIN, Finnish
6	SN-PBXKP-BA	1	WIDE TO NARROW SCSI ADAPTER
7	BN19C-2E	3	PowerCable 240V, C-Europe
8	BN37A-02	2	Ultra Chl VHDCI - VHDCI

Bill of Material for one-box system

	Part Number	Qty	Description
1	DJ-73BAA-DA	1	AS DS10 67/600 256MB Linux Ready
1.1	3R-VRQV5-24	1	COMPAQ V55 CLR MON,NH,TCO95
1.2	BN19C-2E	1	PowerCable 240V, C-Europe
1.3	BN39C-02	1	1.8 Video Extension Cable ****
1.4	DS-RZ3FD-WA	2	36.4GB 10kRPM Ultra3 SCSI Disk
1.5	KZPBA-CA	1	PCI to UltraSCSI Adapter UWSE
1.6	SN-PBXGK-BB	1	Elsa Gloria Synergy 8M Video Graphics
1.7	TLZ10-LB	1	12/24GB 4mm DAT 5.25" HH
2	3X-BN50A-03	1	SCSI cable kit, LED,3x disk
3	SN-LKQ47-AF	1	102 KEY KYBD, NON-WIN, Finnish
4	SN-PBXKP-BA	1	WIDE TO NARROW SCSI ADAPTER
5	BN19C-2E	1	PowerCable 240V, C-Europe

www.Compaq.com/golden-eggs
Since: Oct-2000



06-Feb-2001 GTALDS102
Matti.Patari@Compaq.com

AlphaServer DS10 Linux Systems
GOLDEN EGGS Visuals, Helsinki

COMPAQ

GOLDEN EGGS

Visual
Configurations

GOLDEN EGGS in eBusiness since 1988

COMPAQ	09-Mar-2000	Compaq-GE
	Matti.Patari@compaq.com	
GOLDEN EGGS		
GOLDEN EGGS Visuals, Helsinki		