

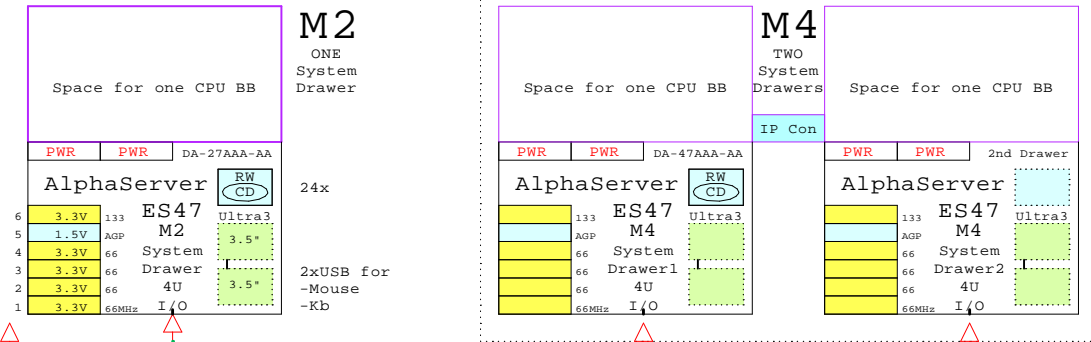
# AlphaServer ES47 M2 & M4 System, EV7/1000,64bits

## Systems & Options

- 3** Memory Options 1-4
- 512MB RAID 128MB 3X-MS7AB-AA
  - 1GB 256MB 3X-MS7AB-BA
  - 2GB 512MB 3X-MS7AB-CA
  - 3X-MS7AB-AC
  - 3X-MS7AB-BC
  - 3X-MS7AB-CC
- Max memory= 4x2GB  
RAID is optional

- 2** CPU Building Block
- 1000MHz EV7
- CPU Building Block 3X-KN73A-AB
- 3X-KN73A-AB Tru64 UNIX  
3X-KN73A-AC OpenVMS
- 10.7GB/s memory bandwidth per processor

- 1** ES47 Base System Drawer. No Cabinet.
- DA-27AAA-AA Tru64 UNIX  
DY-27AAA-AA OpenVMS
- DA-47AAA-AA Tru64 UNIX  
DY-47AAA-AA OpenVMS



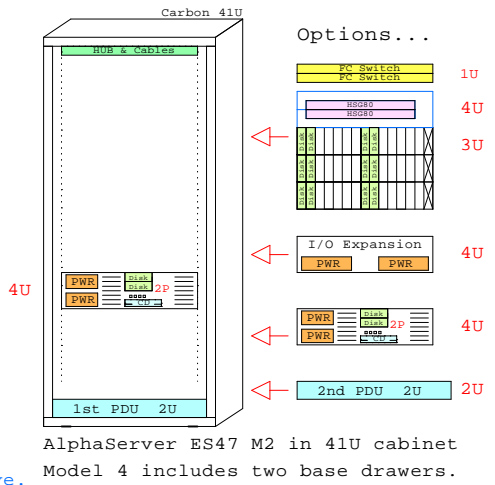
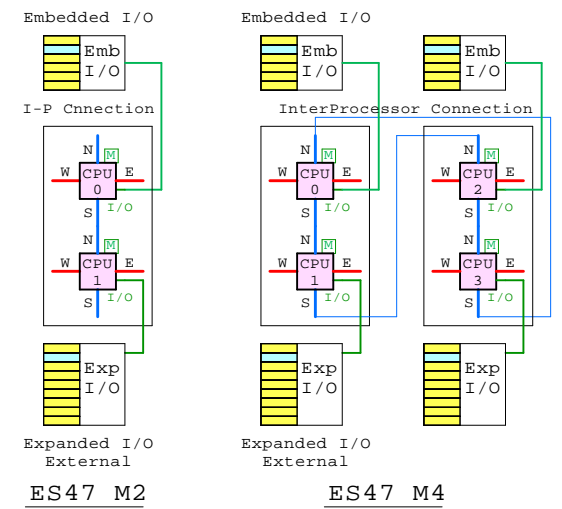
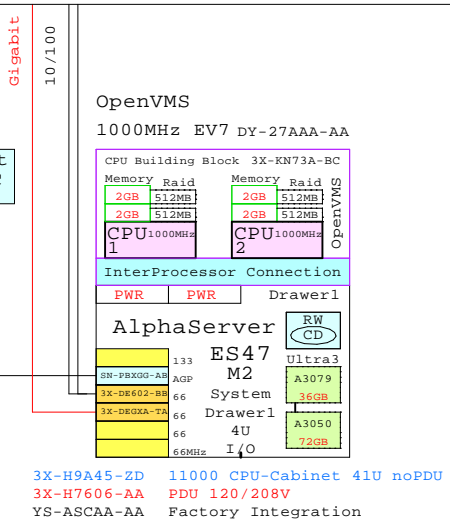
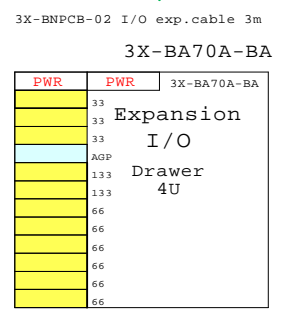
- 4** System Disk 1-2
- A3851 72GB 3R-A3851-AA 72GB 15k U320
  - A3841 146GB 3R-A3841-AA 146GB 10k U320

- 5** Ethernet OR Gigabit
- 3X-DE602-BB Dual port
  - 3X-DEGXA-TA UTP/RJ45
  - 3X-DEGXA-TA Gigabit Ethernet

- 6** Cabinet 41U PDU 1-2 Mfg Build
- 3X-H9A45-ZD 11000 CPU-Cabinet 41U noPDU
  - 3X-H7606-AA PDU 120/208V
  - 3X-H7606-AB PDU 380/415V
  - YS-ASCAA-AA Factory Integration

- Graphics
- SN-PBXGF-BC 3Dlabs Oxygen VX1 AGP 2D
  - SN-PBXGG-AB ATI Radeon 7500 2D AGP

- Fibre Channel
- DS-KGPSA-DA FibreChannel adapter 2Gbit/s 66MHz 3.3V



BOM of the OpenVMS M2 system above.

Part Number	Qty	Description
3R-A3050-AA	1	72.8GB 10000r Ultra3 SCSI disk 1"
3R-A3079-AA	1	36.4GB Uscsi3 15k Universal disk 1"
3R-A3389-AA	1	COMPAQ Monitor P720 17" NH, EU VGAcable
3X-DE602-BB	1	10/100 2xChannel Fast Ethernet, UTP
3X-DEGXA-TA	1	GigabitEthernet single-p 66MHz 3.3V
3X-H7606-AA	1	PDU 120/208V
3X-H9A45-ZD	1	41U 11000-Series CPU-Cabinet, no PDUs
3X-KN73A-AC	1	ES47 Cab CPU-BB 2xEV7 1000MHz OpenVMS
3X-MS7AB-CA	4	GS-ES 2GB Memory Option 4x512 RDRAM
3X-MS7AB-CC	4	GS-ES 512MB RAID Memory 1x512MB RDRAM @1000MHz
DY-27AAA-AA	1	AS ES47 Model 2 System OpenVMS 4U
SN-PBXGG-AB	1	ATI Radeon 7500 2D AGP graphics accelara
YS-ASCAA-AA	1	System Factory Integration

SPECint2000 775  
SPECfp2000 1275  
Software Processor Code: E

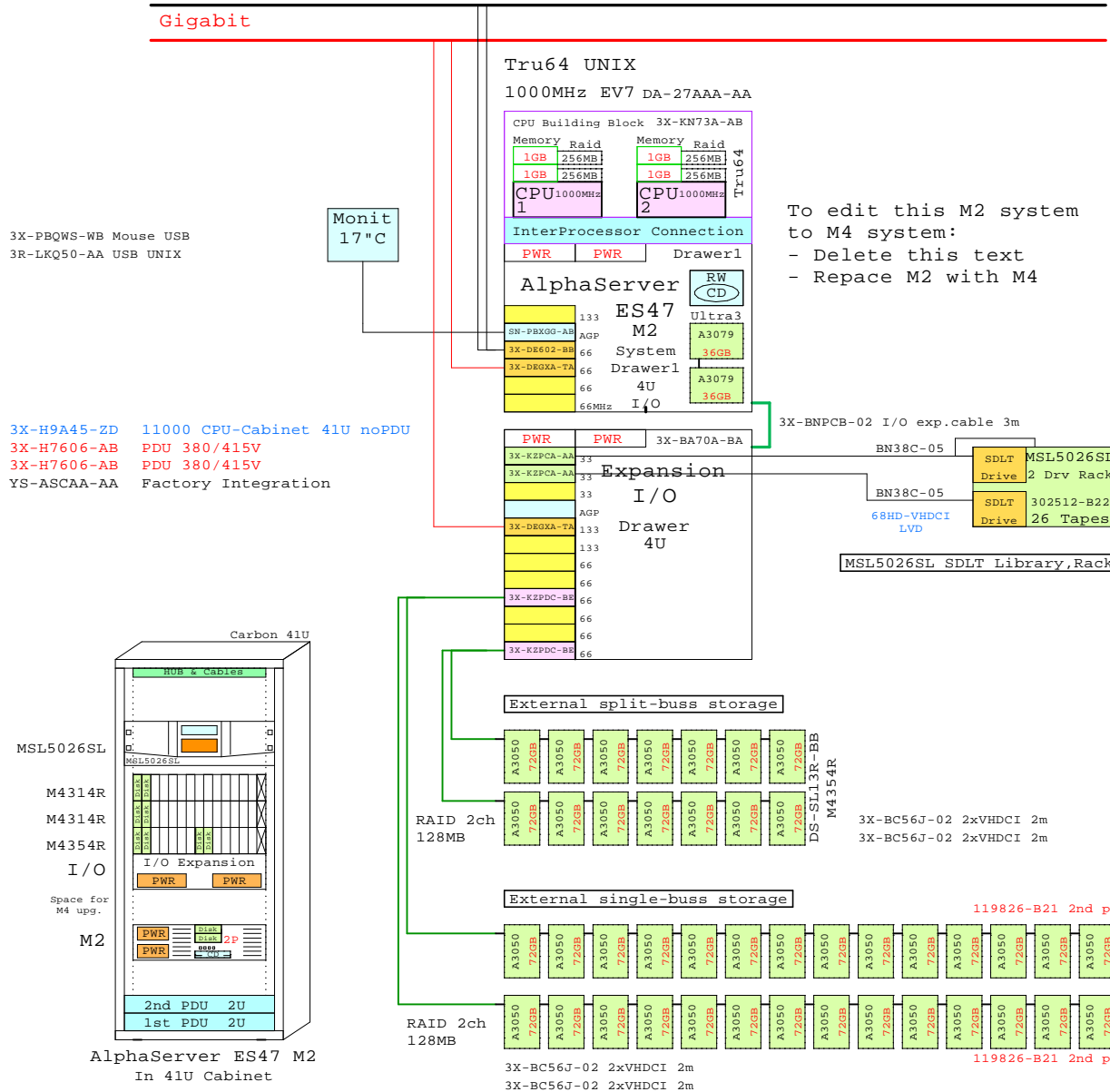
30-Dec-2002 GEAES47M2M4a  
MattI.Patari@HP.com

AlphaServer ES47 M2&M4 1000MHz  
GOLDEN EGGS Visuals, Helsinki

# AlphaServer ES47 M2 Tru64 UNIX System

Ethernet 10/100

**Gigabit**



To edit this M2 system to M4 system:  
 - Delete this text  
 - Repace M2 with M4

3X-PBQWS-WB Mouse USB  
 3R-LKQ50-AA USB UNIX

3X-H9A45-ZD 11000 CPU-Cabinet 41U noPDU  
 3X-H7606-AB PDU 380/415V  
 3X-H7606-AB PDU 380/415V  
 YS-ASCAA-AA Factory Integration

## BOM for this system

	Part Number	Qty	Description
1	DA-27AAA-AA	1	AS ES47 Model 2 System Tru64 UNIX 4U
1.1	3R-A3079-AA	2	36.4GB Uscsi3 15k Universal disk 1"
1.2	3X-DE602-BB	1	10/100 2xChannel Fast Ethernet, UTP
1.3	3X-DEGXA-TA	1	GigabitEthernet single-p 66MHz 3.3V
1.4	3X-KN73A-AB	1	ES47 Cab CPU-BB 2xev7 1000MHz Tru64 UNIX
1.4.1	3X-MS7AB-BA	1	GS-ES 1GBB Memory Option 4x256 RDRAM
1.4.1.1	3X-MS7AB-BC	1	GS-ES 256MB RAID Memory 1x256 RDRAM
1.4.2	3X-MS7AB-BA	1	GS-ES 1GBB Memory Option 4x256 RDRAM
1.4.2.1	3X-MS7AB-BC	1	GS-ES 256MB RAID Memory 1x256 RDRAM
1.4.3	3X-MS7AB-BA	1	GS-ES 1GBB Memory Option 4x256 RDRAM
1.4.3.1	3X-MS7AB-BC	1	GS-ES 256MB RAID Memory 1x256 RDRAM
1.4.4	3X-MS7AB-BA	1	GS-ES 1GBB Memory Option 4x256 RDRAM
1.4.4.1	3X-MS7AB-BC	1	GS-ES 256MB RAID Memory 1x256 RDRAM
1.5	SN-PBXGG-AB	1	ATI Radeon 7500 2D AGP graphics accelara
2	3X-BA70A-BA	1	ES47 Expansion I/O drawer 4U factory ins
2.1	3X-DEGXA-TA	1	GigabitEthernet single-p 66MHz 3.3V
2.2	3X-KZPCA-AA	2	Single channel LVD adapter
2.3	3X-KZPDC-BE	2	U160 2-Ch RAID 128MB PCI 66MHz 3.3v
3	DS-SL13R-AB	1	Modula M4314R single buss,14x 1.0" Int
3.1	3R-A3050-AA	14	72.8GB 10000r Ultra3 SCSI disk 1"
4	DS-SL13R-AB	1	Modula M4314R single buss,14x 1.0" Int
4.1	3R-A3050-AA	14	72.8GB 10000r Ultra3 SCSI disk 1"
5	DS-SL13R-BB	1	Modula M4354R dual buss, 7+7, 1.0" Int
5.1	3R-A3050-AA	14	72.8GB 10000r Ultra3 SCSI disk 1"
6	302512-B22	1	MSL5026SL SDLT Lib.2xDrv,Rack,Grap,LVD
7	3R-A3389-AA	1	COMPAQ Monitor P720 17" NH, EU VGAcable
8	3X-H9A45-ZD	1	41U 11000-Series CPU-Cabinet,no PDUs
9	YS-ASCAA-AA	1	System Factory Integration
10	3X-H7606-AB	2	PDU 380/415V
11	3X-BNPCB-02	1	ES47 I/O expansion cable 3m
12	3X-BC56J-02	4	Ultra3 160 Cable VHDCI-VHDCI 06ft
13	3X-PBQWS-WB	1	Compaq 3-button mouse, USB
14	3R-LKQ50-AA	1	U.S/English keyboard Tru64 UNIX, USB
15	119826-B21	2	Modula M42/314R 2nd power supply
16	BN38C-05	2	Ultra Cbl VHDCI - 68HD

[www.Compaq.com/golden-eggs](http://www.Compaq.com/golden-eggs)

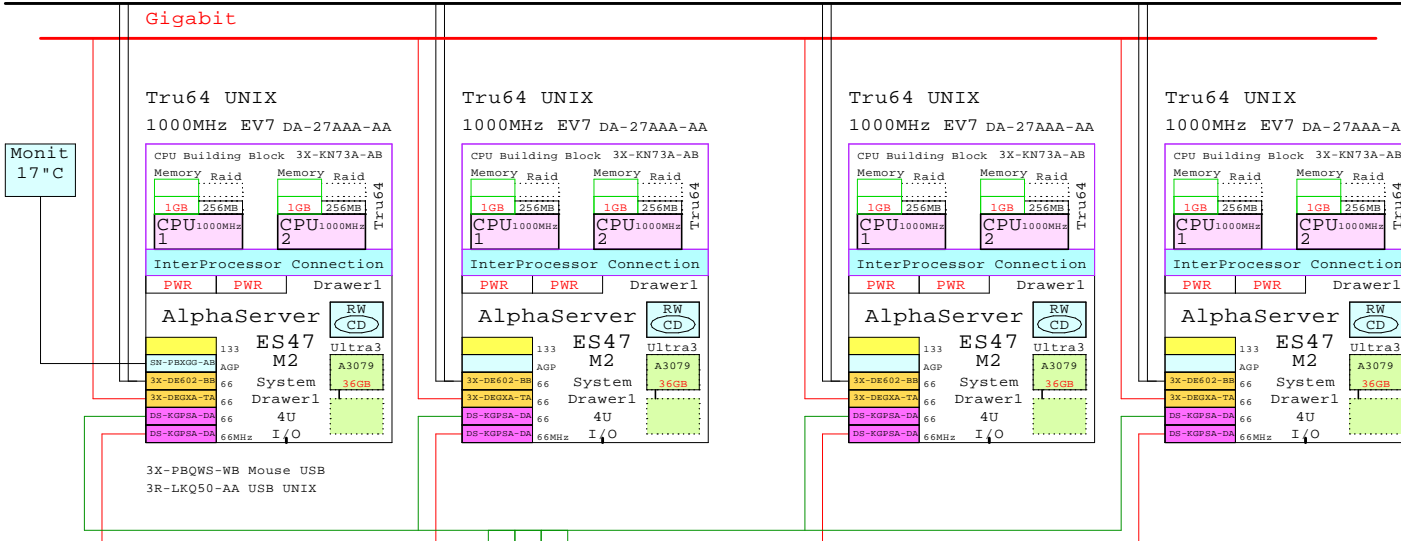
Since:Nov-2002

	30-Dec-2002	GTAUES47M2a
	Matti.Patari@HP.com	
AlphaServer ES47 M2 UNIX Syst. GOLDEN EGGS Visuals, Helsinki		

# AlphaServer ES47 M2 Tru64 UNIX Cluster

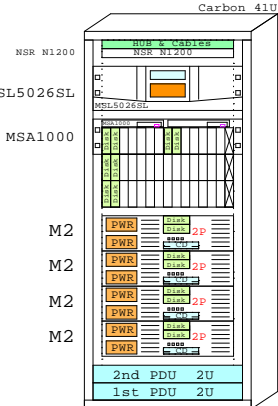
Ethernet 10/100

Gigabit

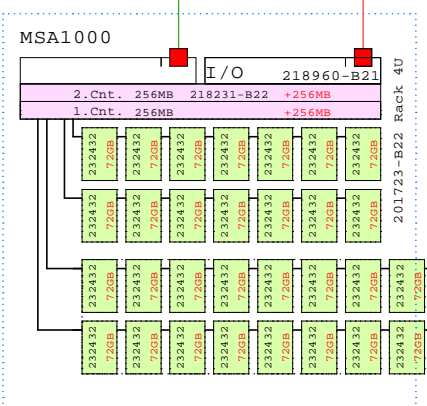


- 221692-B22 LC-LC 5m
- 221692-B22 LC-LC 5m
- 221692-B22 LC-LC 5m
- 221692-B22 LC-LC 5m
- 221692-B22 LC-LC 5m
- 221692-B22 LC-LC 5m

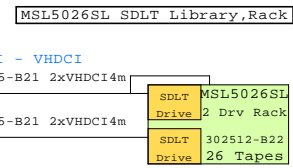
- 3X-H9A45-ZD 11000 CPU-Cabinet 41U noPDU
- 3X-H7606-AB PDU 380/415V
- 3X-H7606-AB PDU 380/415V
- YS-ASCAA-AA Factory Integration



AlphaServer ES47 M2  
In 41U Cabinet



6x7 x72.8GB = 3TB



- NSR N1200 280823-B21
- 341175-B21 2xVHDCI4m
- 341175-B21 2xVHDCI4m
- 119826-B21 2nd pwr
- 119826-B21 2nd pwr

## BOM for this system

Part Number	Qty	Description
201723-B22	1	MSA1000 RAID Array 256MB Rack 4U
190209-B31	1	Modula M4314R single Bus,14x 1.0"
232432-B22	14	72.8GB 10000r Ultra3 SCSI disk 1"
190209-B31	1	Modula M4314R single Bus,14x 1.0"
232432-B22	14	72.8GB 10000r Ultra3 SCSI disk 1"
218231-B22	1	MSA1000 Redundant Controller 256MB
254786-B21	1	256MB Battery Backed Cache Upgrade
218960-B21	1	MSA1000 FC I/O module with 2Gb SFP
221470-B21	1	Opt.Short Wave Transceiver 2Gb/s SFP-SW
232432-B22	14	72.8GB 10000r Ultra3 SCSI disk 1"
254786-B21	1	256MB Battery Backed Cache Upgrade
2		DA-27AAA-AA 1 AS ES47 Model 2 System Tru64 UNIX 4U
2.1		3R-A3079-AA 1 36.4GB Uscsi3 15k Universal disk 1"
2.2		3X-DE602-BB 1 10/100 2xChannel Fast Ethernet, UTP
2.3		3X-DEGXA-TA 1 GigabitEthernet single-p 66MHz 3.3V
2.4		3X-KN73A-AB 1 ES47 Cab CPU-BB 2xEV7 1000MHz Tru64 UNIX
2.4.1		3X-MS7AB-BA 1 GS-ES 1GB Memory Option 4x256 RDRAM
2.4.1.1		3X-MS7AB-BC 1 GS-ES 256MB RAID Memory 1x256 RDRAM
2.4.2		3X-MS7AB-BA 1 GS-ES 1GB Memory Option 4x256 RDRAM
2.4.2.1		3X-MS7AB-BC 1 GS-ES 256MB RAID Memory 1x256 RDRAM
2.5		DS-KGPSA-DA 2 PCI to Fibre Channel adapter,2Gbit/s
3		DA-27AAA-AA 1 AS ES47 Model 2 System Tru64 UNIX 4U
3.1		3R-A3079-AA 1 36.4GB Uscsi3 15k Universal disk 1"
3.2		3X-DE602-BB 1 10/100 2xChannel Fast Ethernet, UTP
3.3		3X-DEGXA-TA 1 GigabitEthernet single-p 66MHz 3.3V
3.4		3X-KN73A-AB 1 ES47 Cab CPU-BB 2xEV7 1000MHz Tru64 UNIX
3.4.1		3X-MS7AB-BA 1 GS-ES 1GB Memory Option 4x256 RDRAM
3.4.1.1		3X-MS7AB-BC 1 GS-ES 256MB RAID Memory 1x256 RDRAM
3.4.2		3X-MS7AB-BA 1 GS-ES 1GB Memory Option 4x256 RDRAM
3.4.2.1		3X-MS7AB-BC 1 GS-ES 256MB RAID Memory 1x256 RDRAM
3.5		DS-KGPSA-DA 2 PCI to Fibre Channel adapter,2Gbit/s
4		DA-27AAA-AA 1 AS ES47 Model 2 System Tru64 UNIX 4U
4.1		3R-A3079-AA 1 36.4GB Uscsi3 15k Universal disk 1"
4.2		3X-DE602-BB 1 10/100 2xChannel Fast Ethernet, UTP
4.3		3X-DEGXA-TA 1 GigabitEthernet single-p 66MHz 3.3V
4.4		3X-KN73A-AB 1 ES47 Cab CPU-BB 2xEV7 1000MHz Tru64 UNIX
4.4.1		3X-MS7AB-BA 1 GS-ES 1GB Memory Option 4x256 RDRAM
4.4.1.1		3X-MS7AB-BC 1 GS-ES 256MB RAID Memory 1x256 RDRAM
4.4.2		3X-MS7AB-BA 1 GS-ES 1GB Memory Option 4x256 RDRAM
4.4.2.1		3X-MS7AB-BC 1 GS-ES 256MB RAID Memory 1x256 RDRAM
4.5		DS-KGPSA-DA 2 PCI to Fibre Channel adapter,2Gbit/s
5		DA-27AAA-AA 1 AS ES47 Model 2 System Tru64 UNIX 4U
5.1		3R-A3079-AA 1 36.4GB Uscsi3 15k Universal disk 1"
5.2		3X-DE602-BB 1 10/100 2xChannel Fast Ethernet, UTP
5.3		3X-DEGXA-TA 1 GigabitEthernet single-p 66MHz 3.3V
5.4		3X-KN73A-AB 1 ES47 Cab CPU-BB 2xEV7 1000MHz Tru64 UNIX
5.4.1		3X-MS7AB-BA 1 GS-ES 1GB Memory Option 4x256 RDRAM
5.4.1.1		3X-MS7AB-BC 1 GS-ES 256MB RAID Memory 1x256 RDRAM
5.4.2		3X-MS7AB-BA 1 GS-ES 1GB Memory Option 4x256 RDRAM
5.4.2.1		3X-MS7AB-BC 1 GS-ES 256MB RAID Memory 1x256 RDRAM
5.5		DS-KGPSA-DA 2 PCI to Fibre Channel adapter,2Gbit/s
5.6		SN-PBQGG-AB 1 ATI Radeon 7500 2D AGP graphics accelara
6		258707-B21 1 SAN Switch 2/8-EL Ports 8, 2Gb/s
6.1		221470-B21 6 Opt.Short Wave Transceiver 2Gb/s SFP-SW
7		258707-B21 1 SAN Switch 2/8-EL Ports 8, 2Gb/s
7.1		221470-B21 5 Opt.Short Wave Transceiver 2Gb/s SFP-SW
8		302512-B22 1 MSL5026SL SDLT Lib.2xDrv.Rack.Grap.LVD
9		3X-H9A45-ZD 1 41U 11000-Series CPU-Cabinet,no PDUs
10		280823-B21 1 Netw Stor Rout N1200 FC,2xLVD
11		YS-ASCAA-AA 1 System Factory Integration
12		3R-A3389-AA 1 COMPAQ Monitor P720 17" NH, EU VGAcable
13		3X-H7606-AB 2 PDU 380/415V
14		3X-PBQWS-WB 1 Compaq 3-button mouse, USB
15		341175-B21 2 VHDCI to VHDCI SCSI Cable 12ft
16		3R-LKQ50-AA 1 U.S/English keyboard Tru64 UNIX, USB
17		221692-B22 10 FC ShortWave 5m cable LC-LC 1Gb-2Gb
18		119826-B21 2 Modula M42/314R 2nd power supply

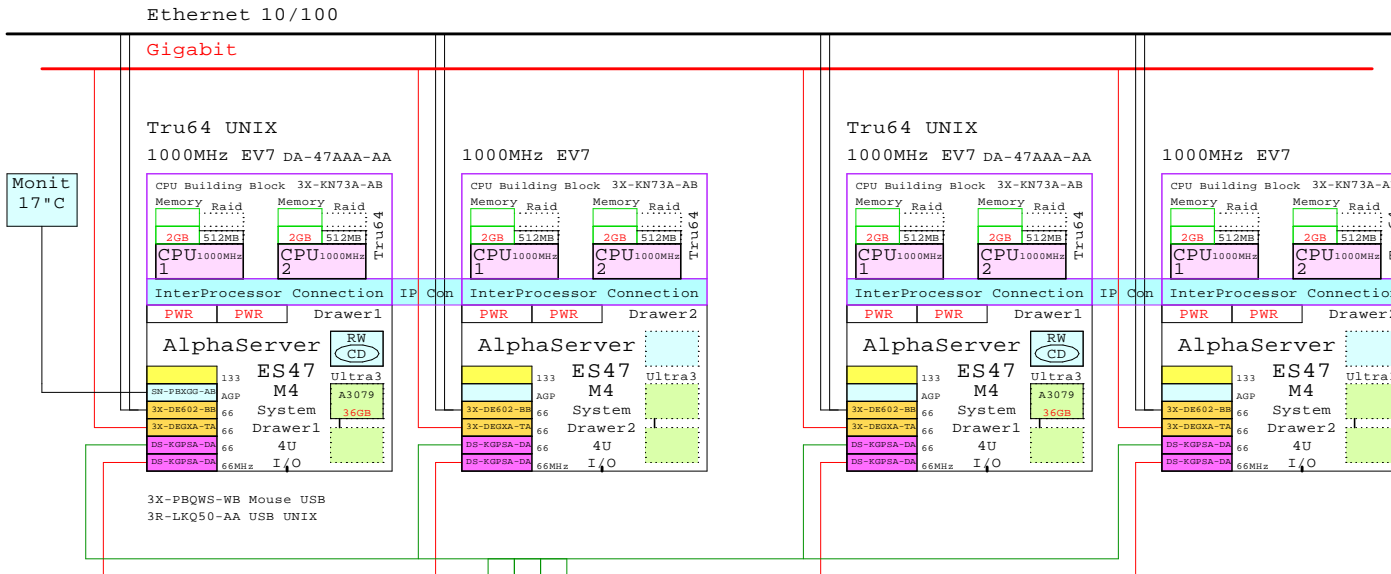
www.Compaq.com/golden-eggs

Since:Nov-2002

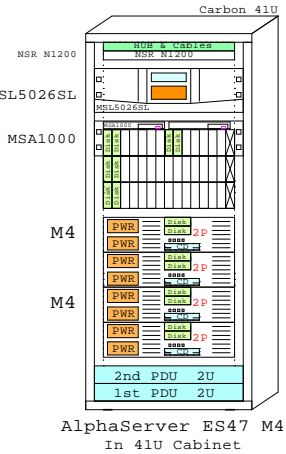
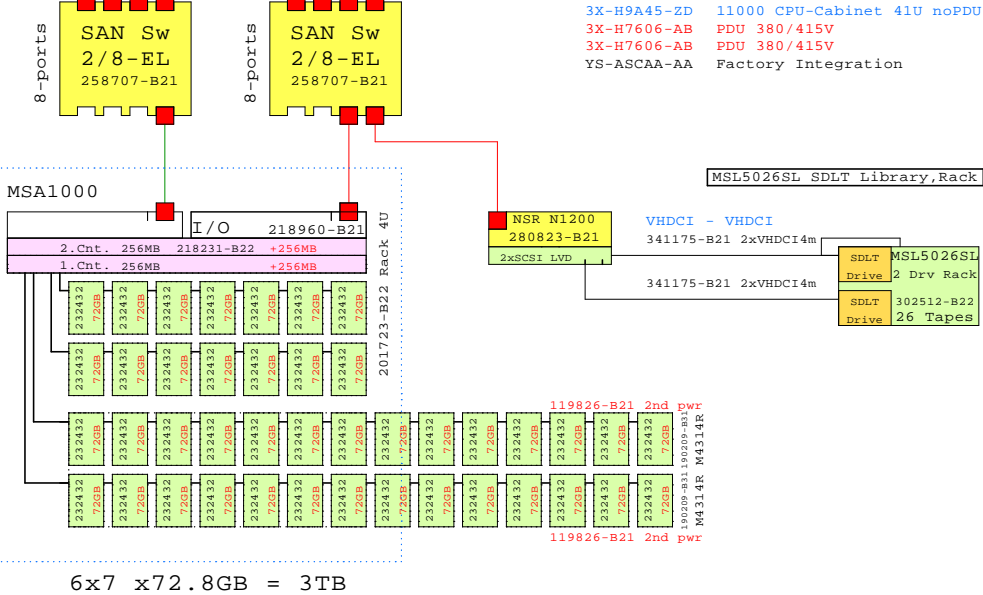
08-Jan-2003 GTAUES47M2b  
Matti.Patari@HP.com

AlphaServer ES47 M2 UNIX Cluster  
GOLDEN EGGS Visuals, Helsinki

# AlphaServer ES47 M4 Tru64 UNIX Cluster



- 221692-B22 LC-LC 5m
- 221692-B22 LC-LC 5m
- 221692-B22 LC-LC 5m
- 221692-B22 LC-LC 5m
- 221692-B22 LC-LC 5m
- 221692-B22 LC-LC 5m



## BOM for this system

Part Number	Qty	Description
1	1	AS ES47 Model 4 System Tru64 UNIX 2x4U
1.1	3R-A3079-AA	1 36.4GB Uscsi3 15k Universal disk 1"
1.2	3X-DE602-BB	2 10/100 2xChannel Fast Ethernet, UTP
1.3	3X-DEGXA-TA	2 GigabitEthernet single-p 66MHz 3.3V
1.4	3X-KN73A-AB	1 ES47 Cab CPU-BB 2xEV7 1000MHz Tru64 UNIX
1.4.1	3X-MS7AB-CA	1 GS-ES 2GB Memory Option 4x512 RDRAM
1.4.1.1	3X-MS7AB-CC	1 GS-ES 512MB RAID Memory 1x512MB RDRAM
1.4.2	3X-MS7AB-CA	1 GS-ES 2GB Memory Option 4x512 RDRAM
1.4.2.1	3X-MS7AB-CC	1 GS-ES 512MB RAID Memory 1x512MB RDRAM
1.5	3X-KN73A-AB	1 ES47 Cab CPU-BB 2xEV7 1000MHz Tru64 UNIX
1.5.1	3X-MS7AB-CA	1 GS-ES 2GB Memory Option 4x512 RDRAM
1.5.1.1	3X-MS7AB-CC	1 GS-ES 512MB RAID Memory 1x512MB RDRAM
1.5.2	3X-MS7AB-CA	1 GS-ES 2GB Memory Option 4x512 RDRAM
1.5.2.1	3X-MS7AB-CC	1 GS-ES 512MB RAID Memory 1x512MB RDRAM
1.6	DS-KGPSA-DA	4 PCI to Fibre Channel adapter, 2Gbit/s
2	DA-47AAA-AA	1 AS ES47 Model 4 System Tru64 UNIX 2x4U
2.1	3R-A3079-AA	1 36.4GB Uscsi3 15k Universal disk 1"
2.2	3X-DE602-BB	2 10/100 2xChannel Fast Ethernet, UTP
2.3	3X-DEGXA-TA	2 GigabitEthernet single-p 66MHz 3.3V
2.4	3X-KN73A-AB	1 ES47 Cab CPU-BB 2xEV7 1000MHz Tru64 UNIX
2.4.1	3X-MS7AB-CA	1 GS-ES 2GB Memory Option 4x512 RDRAM
2.4.1.1	3X-MS7AB-CC	1 GS-ES 512MB RAID Memory 1x512MB RDRAM
2.4.2	3X-MS7AB-CA	1 GS-ES 2GB Memory Option 4x512 RDRAM
2.4.2.1	3X-MS7AB-CC	1 GS-ES 512MB RAID Memory 1x512MB RDRAM
2.5	3X-KN73A-AB	1 ES47 Cab CPU-BB 2xEV7 1000MHz Tru64 UNIX
2.5.1	3X-MS7AB-CA	1 GS-ES 2GB Memory Option 4x512 RDRAM
2.5.1.1	3X-MS7AB-CC	1 GS-ES 512MB RAID Memory 1x512MB RDRAM
2.5.2	3X-MS7AB-CA	1 GS-ES 2GB Memory Option 4x512 RDRAM
2.5.2.1	3X-MS7AB-CC	1 GS-ES 512MB RAID Memory 1x512MB RDRAM
2.6	DS-KGPSA-DA	4 PCI to Fibre Channel adapter, 2Gbit/s
2.7	SN-PBXG-AB	1 ATI Radeon 7500 2D AGP graphics accelera
3	201723-B22	1 MSA1000 RAID Array 256MB Rack 4U
3.1	190209-B31	1 Modula M4314R single buss, 14x 1.0"
3.1.1	232432-B22	14 72.8GB 10000r Ultra3 SCSI disk 1"
3.2	190209-B31	1 Modula M4314R single buss, 14x 1.0"
3.2.1	232432-B22	14 72.8GB 10000r Ultra3 SCSI disk 1"
3.3	218231-B22	1 MSA1000 Redundant Controller 256MB
3.3.1	254786-B21	1 256MB Battery Backed Cache Upgrade
3.4	218960-B21	1 MSA1000 FC I/O module with 2Gb SFP
3.4.1	221470-B21	1 Opt.Short Wave Transceiver 2Gb/s SFP-SW
3.5	232432-B22	14 72.8GB 10000r Ultra3 SCSI disk 1"
3.6	254786-B21	1 256MB Battery Backed Cache Upgrade
4	258707-B21	1 SAN Switch 2/8-EL Ports 8, 2Gb/s
4.1	221470-B21	6 Opt.Short Wave Transceiver 2Gb/s SFP-SW
5	258707-B21	1 SAN Switch 2/8-EL Ports 8, 2Gb/s
5.1	221470-B21	5 Opt.Short Wave Transceiver 2Gb/s SFP-SW
6	302512-B22	1 MSL5026SL SDLT Lib. 2xDrv, Rack, Grap, LVD
7	3X-H9A45-ZD	1 41U 11000-Series CPU-Cabinet, no PDUs
8	280823-B21	1 Netw Strout N1200 FC, 2xLVD
9	YS-ASCAA-AA	1 System Factory Integration
10	3R-A3389-AA	1 COMPAQ Monitor P720 17" NH, EU VGAcable
11	3X-H7606-AB	2 PDU 380/415V
12	3X-PBOWS-WB	1 Compaq 3-button mouse, USB
13	341175-B21	2 VHDCI to VHDCI SCSI Cable 12ft
14	3R-LKQ50-AA	1 U.S/English keyboard Tru64 UNIX, USB
15	221692-B22	10 FC ShortWave 5m cable LC-LC 2Gb-2Gb
16	119826-B21	2 Modula M42/314R 2nd power supply

[www.compaq.com/golden-eggs](http://www.compaq.com/golden-eggs)

Since: Nov-2002

	08-Jan-2003	GTAUES47M4b
	Matti.Patari@HP.com	
AlphaServer ES47 M4 UNIX Cluster		
GOLDEN EGGS Visuals, Helsinki		

# AlphaServer ES47 M2 OpenVMS System

Ethernet 10/100

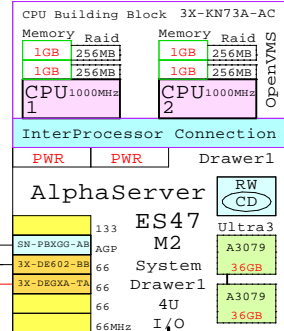
Gigabit

3X-PBQWS-WB Mouse USB  
3R-LKQ50-AA USB UNIX

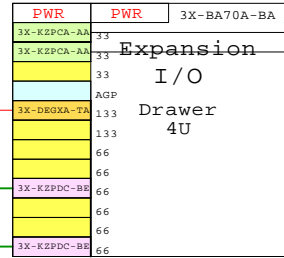
Monit  
17" C

3X-H9A45-ZD 11000 CPU-Cabinet 41U noPDU  
3X-H7606-AB PDU 380/415V  
3X-H7606-AB PDU 380/415V  
YS-ASCAA-AA Factory Integration

OpenVMS  
1000MHz EV7 DY-27AAA-AA

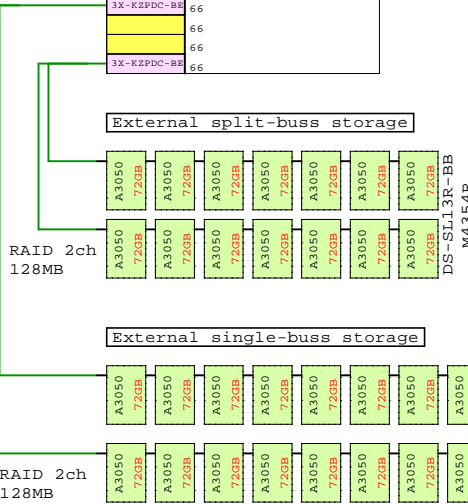


To edit this M2 system to M4 system:  
- Delete this text  
- Repace M2 with M4



3X-BNPCH-02 I/O exp.cable 3m

MSL5026SL SDLT Library,Rack



RAID 2ch  
128MB

RAID 2ch  
128MB

3X-BC56J-02 2xVHDCI 2m  
3X-BC56J-02 2xVHDCI 2m

3X-BC56J-02 2xVHDCI 2m  
3X-BC56J-02 2xVHDCI 2m

119826-B21 2nd pwr

119826-B21 2nd pwr

BOM for this system

	Part Number	Qty	Description
1	DY-27AAA-AA	1	AS ES47 Model 2 System OpenVMS 4U
1.1	3R-A3079-AA	2	36.4GB Uscsi3 15k Universal disk 1"
1.2	3X-DE602-BB	1	10/100 2xChannel Fast Ethernet, UTP
1.3	3X-DEGXA-TA	1	GigabitEthernet single-p 66MHz 3.3V
1.4	3X-KN73A-AC	1	ES47 Cab CPU-BB 2xev7 1000MHz OpenVMS
1.4.1	3X-MS7AB-BA	1	GS-ES 1GBB Memory Option 4x256 RDRAM
1.4.1.1	3X-MS7AB-BC	1	GS-ES 256MB RAID Memory 1x256 RDRAM
1.4.2	3X-MS7AB-BA	1	GS-ES 1GBB Memory Option 4x256 RDRAM
1.4.2.1	3X-MS7AB-BC	1	GS-ES 256MB RAID Memory 1x256 RDRAM
1.4.3	3X-MS7AB-BA	1	GS-ES 1GBB Memory Option 4x256 RDRAM
1.4.3.1	3X-MS7AB-BC	1	GS-ES 256MB RAID Memory 1x256 RDRAM
1.4.4	3X-MS7AB-BA	1	GS-ES 1GBB Memory Option 4x256 RDRAM
1.4.4.1	3X-MS7AB-BC	1	GS-ES 256MB RAID Memory 1x256 RDRAM
1.5	SN-PBXGG-AB	1	ATI Radeon 7500 2D AGP graphics accelara
2	3X-BA70A-BA	1	ES47 Expansion I/O drawer 4U factory ins
2.1	3X-DEGXA-TA	1	GigabitEthernet single-p 66MHz 3.3V
2.2	3X-KZPCA-AA	2	Single channel LVD adapter
2.3	3X-KZPDC-BE	2	U160 2-Ch RAID 128MB PCI 66MHz 3.3v
3	DS-SL13R-AB	1	Modula M4314R single buss,14x 1.0" Int
3.1	3R-A3050-AA	14	72.8GB 10000r Ultra3 SCSI disk 1"
4	DS-SL13R-AB	1	Modula M4314R single buss,14x 1.0" Int
4.1	3R-A3050-AA	14	72.8GB 10000r Ultra3 SCSI disk 1"
5	DS-SL13R-BB	1	Modula M4354R dual buss, 7+7, 1.0" Int
5.1	3R-A3050-AA	14	72.8GB 10000r Ultra3 SCSI disk 1"
6	302512-B22	1	MSL5026SL SDLT Lib.2xDrv,Rack,Grap,LVD
7	3R-A3389-AA	1	COMPAQ Monitor P720 17" NH, EU VGAcable
8	3X-H9A45-ZD	1	41U 11000-Series CPU-Cabinet,no PDUs
9	YS-ASCAA-AA	1	System Factory Integration
10	3X-H7606-AB	2	PDU 380/415V
11	3X-BNPCH-02	1	ES47 I/O expansion cable 3m
12	3X-BC56J-02	4	Ultra3 160 Cable VHDCI-VHDCI 06ft
13	3X-PBQWS-WB	1	Compag 3-button mouse, USB
14	3R-LKQ50-AA	1	U.S/English keyboard Tru64 UNIX, USB
15	119826-B21	2	Modula M42/314R 2nd power supply
16	BN38C-05	2	Ultra Cbl VHDCI - 68HD

[www.Compaq.com/golden-eggs](http://www.Compaq.com/golden-eggs)

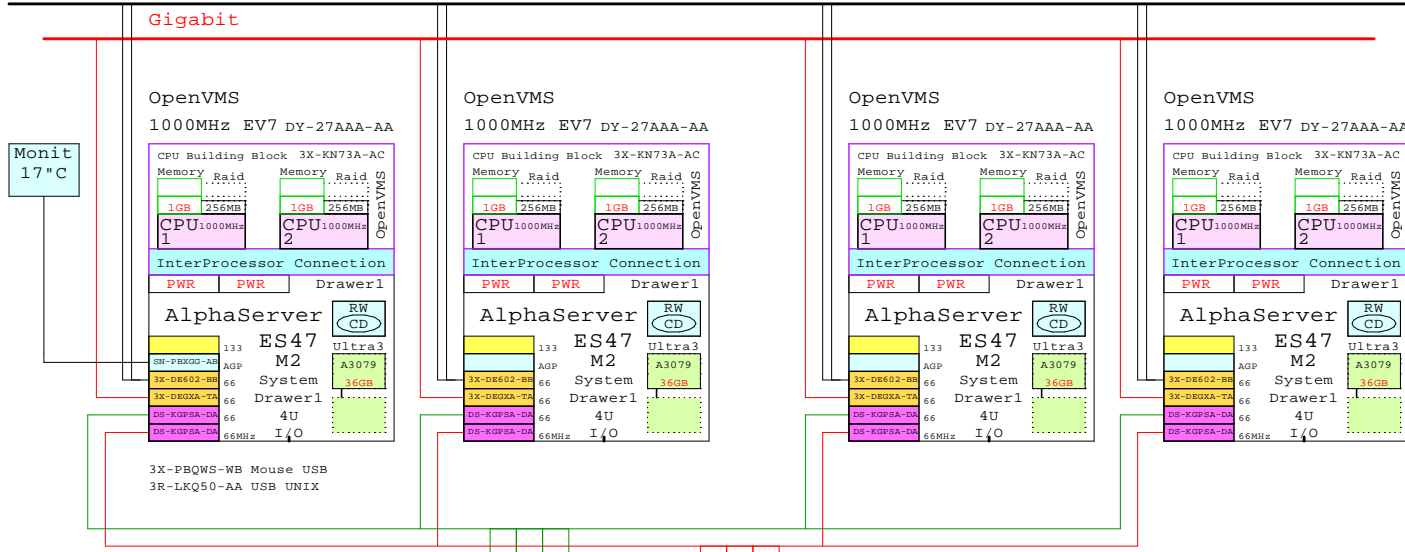
Since:Nov-2002

	30-Dec-2002	GTAVES47M2a
	Matti.Patari@HP.com	
AlphaServer ES47 M2 OVMS Syst.		
GOLDEN EGGS Visuals, Helsinki		

ES47 M2 OVMS

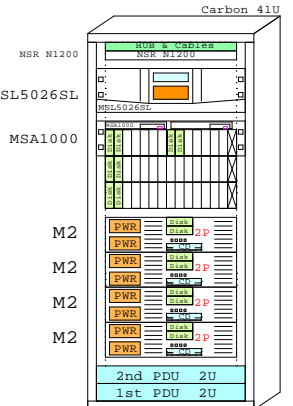
# AlphaServer ES47 M2 OpenVMS Cluster

Ethernet 10/100

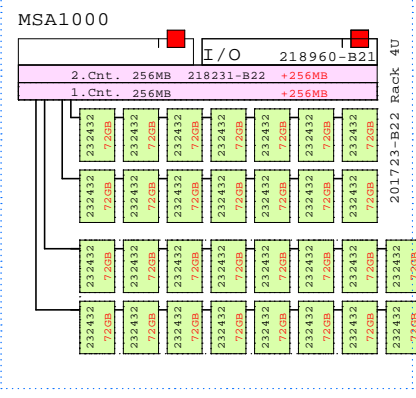


- 221692-B22 LC-LC 5m
- 221692-B22 LC-LC 5m
- 221692-B22 LC-LC 5m
- 221692-B22 LC-LC 5m
- 221692-B22 LC-LC 5m
- 221692-B22 LC-LC 5m

- 3X-H9A45-ZD 11000 CPU-Cabinet 41U noPDU
- 3X-H7606-AB PDU 380/415V
- 3X-H7606-AB PDU 380/415V
- YS-ASCAA-AA Factory Integration



AlphaServer ES47 M2 In 41U Cabinet



6x7 x72.8GB = 3TB

## BOM for this system

Part Number	Qty	Description
201723-B22	1	MSA1000 RAID Array 256MB Rack 4U
190209-B31	1	Modula M4314R single buss,14x 1.0"
232432-B22	14	72.8GB 10000r Ultra3 SCSI disk 1"
190209-B31	1	Modula M4314R single buss,14x 1.0"
218231-B22	14	72.8GB 10000r Ultra3 SCSI disk 1"
254786-B21	1	256MB Battery Backed Cache Upgrade
218960-B21	1	MSA1000 FC I/O module with 2Gb SFP-SW
221470-B21	1	Opt.Short Wave Tranceiver 2Gb/s SFP-SW
232432-B22	14	72.8GB 10000r Ultra3 SCSI disk 1"
254786-B21	1	256MB Battery Backed Cache Upgrade
DY-27AAA-AA	1	AS ES47 Model 2 System OpenVMS 4U
3R-A3079-AA	1	36.4GB Uscsi3 15k Universal disk 1"
3X-DE602-BB	1	10/100 2xChannel Fast Ethernet, UTP
3X-DEGXA-TA	1	GigabitEthernet single-p 66MHz 3.3V
3X-KN73A-AC	1	ES47 Cab CPU-BB 2xEV7 1000MHz OpenVMS
3X-MS7AB-BA	1	GS-ES 1GB Memory Option 4x256 RDRAM
3X-MS7AB-BC	1	GS-ES 256MB RAID Memory 1x256 RDRAM
3X-MS7AB-BA	1	GS-ES 1GB Memory Option 4x256 RDRAM
3X-MS7AB-BC	1	GS-ES 256MB RAID Memory 1x256 RDRAM
DS-KGPSA-DA	2	PCI to Fibre Channel adapter,2Gb/s
DY-27AAA-AA	1	AS ES47 Model 2 System OpenVMS 4U
3R-A3079-AA	1	36.4GB Uscsi3 15k Universal disk 1"
3X-DE602-BB	1	10/100 2xChannel Fast Ethernet, UTP
3X-DEGXA-TA	1	GigabitEthernet single-p 66MHz 3.3V
3X-KN73A-AC	1	ES47 Cab CPU-BB 2xEV7 1000MHz OpenVMS
3X-MS7AB-BA	1	GS-ES 1GB Memory Option 4x256 RDRAM
3X-MS7AB-BC	1	GS-ES 256MB RAID Memory 1x256 RDRAM
3X-MS7AB-BA	1	GS-ES 1GB Memory Option 4x256 RDRAM
3X-MS7AB-BC	1	GS-ES 256MB RAID Memory 1x256 RDRAM
DS-KGPSA-DA	2	PCI to Fibre Channel adapter,2Gb/s
DY-27AAA-AA	1	AS ES47 Model 2 System OpenVMS 4U
3R-A3079-AA	1	36.4GB Uscsi3 15k Universal disk 1"
3X-DE602-BB	1	10/100 2xChannel Fast Ethernet, UTP
3X-DEGXA-TA	1	GigabitEthernet single-p 66MHz 3.3V
3X-KN73A-AC	1	ES47 Cab CPU-BB 2xEV7 1000MHz OpenVMS
3X-MS7AB-BA	1	GS-ES 1GB Memory Option 4x256 RDRAM
3X-MS7AB-BC	1	GS-ES 256MB RAID Memory 1x256 RDRAM
3X-MS7AB-BA	1	GS-ES 1GB Memory Option 4x256 RDRAM
3X-MS7AB-BC	1	GS-ES 256MB RAID Memory 1x256 RDRAM
DS-KGPSA-DA	2	PCI to Fibre Channel adapter,2Gb/s
DY-27AAA-AA	1	AS ES47 Model 2 System OpenVMS 4U
3R-A3079-AA	1	36.4GB Uscsi3 15k Universal disk 1"
3X-DE602-BB	1	10/100 2xChannel Fast Ethernet, UTP
3X-DEGXA-TA	1	GigabitEthernet single-p 66MHz 3.3V
3X-KN73A-AC	1	ES47 Cab CPU-BB 2xEV7 1000MHz OpenVMS
3X-MS7AB-BA	1	GS-ES 1GB Memory Option 4x256 RDRAM
3X-MS7AB-BC	1	GS-ES 256MB RAID Memory 1x256 RDRAM
3X-MS7AB-BA	1	GS-ES 1GB Memory Option 4x256 RDRAM
3X-MS7AB-BC	1	GS-ES 256MB RAID Memory 1x256 RDRAM
DS-KGPSA-DA	2	PCI to Fibre Channel adapter,2Gb/s
SN-PBXGG-AB	1	ATI Radeon 7500 2D AGP graphics accelara
258707-B21	1	SAN Switch 2/8-EL Ports 8, 2Gb/s
221470-B21	6	Opt.Short Wave Tranceiver 2Gb/s SFP-SW
258707-B21	1	SAN Switch 2/8-EL Ports 8, 2Gb/s
221470-B21	5	Opt.Short Wave Tranceiver 2Gb/s SFP-SW
302512-B22	1	MSL5026SL SDLT Lib.2xDrv.Rack,Gras_LVD
3X-H9A45-ZD	1	41U 11000-Series CPU-Cabinet,no PDUs
280823-B21	1	NetW Stor Rout N1200 FC,2xLVD
YS-ASCAA-AA	1	System Factory Integration
3R-A3389-AA	1	COMPAQ Monitor P720 17" NH, EU VGAcable
3X-H7606-AB	2	PDU 380/415V
3X-PBQWS-WB	1	Compaq 3-button mouse, USB
341175-B21	2	VHDCI to VHDCI SCSI Cable 12ft
3R-LKQ50-AA	1	U.S/English keyboard Tru64 UNIX, USB
221692-B22	10	FC ShortWave 5m cable LC-LC 2Gb-2Gb
119826-B21	2	Modula M42/314R 2nd power supply

www.Compaq.com/golden-eggs

Since:Nov-2002

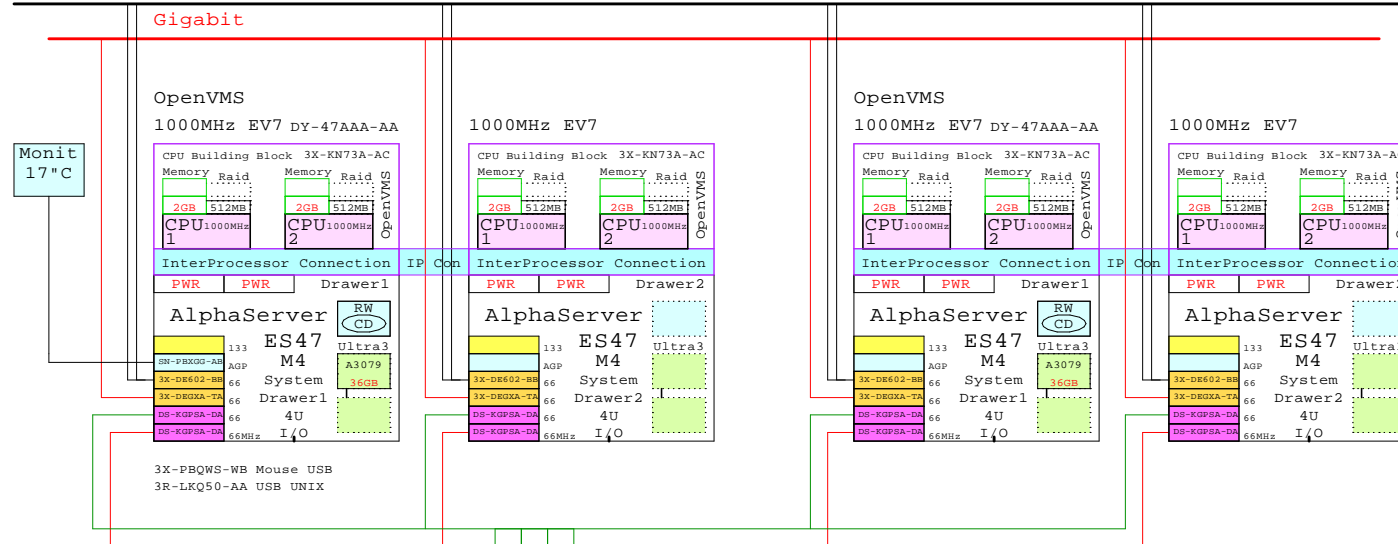
	08-Jan-2003	GTAVES47M2b
		Matti.Patari@HP.com

AlphaServer ES47 M2 OVMS Cluster  
GOLDEN EGGS Visuals, Helsinki

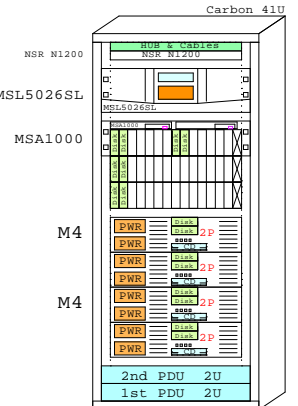
ES47 M2 OVMS

# AlphaServer ES47 M4 OpenVMS Cluster

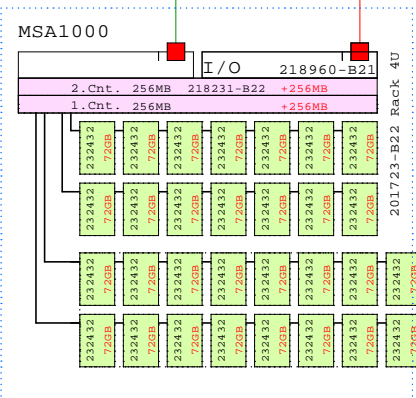
Ethernet 10/100



- 221692-B22 LC-LC 5m
- 221692-B22 LC-LC 5m
- 221692-B22 LC-LC 5m
- 221692-B22 LC-LC 5m
- 221692-B22 LC-LC 5m
- 221692-B22 LC-LC 5m



AlphaServer ES47 M4  
In 41U Cabinet



6x7 x72.8GB = 3TB

- 3X-H9A45-ZD 11000 CPU-Cabinet 41U noPDU
- 3X-H7606-AB PDU 380/415V
- 3X-H7606-AB PDU 380/415V
- YS-ASCAA-AA Factory Integration

### BOM for this system

Part Number	Qty	Description
1	1	DY-47AAA-AA 1 AS ES47 Model 4 System OpenVMS 2x4U
1.1	3R-A3079-AA	1 36.4GB Uscs13 15k Universal disk 1"
1.2	3X-DE602-BB	2 10/100 2xChannel Fast Ethernet, UTP
1.3	3X-DEGXA-TA	2 GigabitEthernet single-p 66MHz 3.3V
1.4	3X-KN73A-AC	1 ES47 Cab CPU-BB 2xEV7 1000MHz OpenVMS
1.4.1	3X-MS7AB-CA	1 GS-ES 2GB Memory Option 4x512 RDRAM
1.4.1.1	3X-MS7AB-CC	1 GS-ES 512MB RAID Memory 1x512MB RDRAM
1.4.2	3X-MS7AB-CA	1 GS-ES 2GB Memory Option 4x512 RDRAM
1.4.2.1	3X-MS7AB-CC	1 GS-ES 512MB RAID Memory 1x512MB RDRAM
1.5	3X-KN73A-AC	1 ES47 Cab CPU-BB 2xEV7 1000MHz OpenVMS
1.5.1	3X-MS7AB-CA	1 GS-ES 2GB Memory Option 4x512 RDRAM
1.5.1.1	3X-MS7AB-CC	1 GS-ES 512MB RAID Memory 1x512MB RDRAM
1.5.2	3X-MS7AB-CA	1 GS-ES 2GB Memory Option 4x512 RDRAM
1.5.2.1	3X-MS7AB-CC	1 GS-ES 512MB RAID Memory 1x512MB RDRAM
1.6	DS-KGPSA-DA	4 PCI to Fibre Channel adapter, 2Gbit/s
2	DY-47AAA-AA	1 AS ES47 Model 4 System OpenVMS 2x4U
2.1	3R-A3079-AA	1 36.4GB Uscs13 15k Universal disk 1"
2.2	3X-DE602-BB	2 10/100 2xChannel Fast Ethernet, UTP
2.3	3X-DEGXA-TA	2 GigabitEthernet single-p 66MHz 3.3V
2.4	3X-KN73A-AC	1 ES47 Cab CPU-BB 2xEV7 1000MHz OpenVMS
2.4.1	3X-MS7AB-CA	1 GS-ES 2GB Memory Option 4x512 RDRAM
2.4.1.1	3X-MS7AB-CC	1 GS-ES 512MB RAID Memory 1x512MB RDRAM
2.4.2	3X-MS7AB-CA	1 GS-ES 2GB Memory Option 4x512 RDRAM
2.4.2.1	3X-MS7AB-CC	1 GS-ES 512MB RAID Memory 1x512MB RDRAM
2.5	3X-KN73A-AC	1 ES47 Cab CPU-BB 2xEV7 1000MHz OpenVMS
2.5.1	3X-MS7AB-CA	1 GS-ES 2GB Memory Option 4x512 RDRAM
2.5.1.1	3X-MS7AB-CC	1 GS-ES 512MB RAID Memory 1x512MB RDRAM
2.5.2	3X-MS7AB-CA	1 GS-ES 2GB Memory Option 4x512 RDRAM
2.5.2.1	3X-MS7AB-CC	1 GS-ES 512MB RAID Memory 1x512MB RDRAM
2.6	DS-KGPSA-DA	4 PCI to Fibre Channel adapter, 2Gbit/s
2.7	SN-PRXGG-AB	1 ATI Radeon 7500 2D AGP graphics accelera
3	201723-B22	1 MSA1000 RAID Array 256MB Rack 4U
3.1	190209-B31	1 Modula M4314R single buss,14x 1.0"
3.1.1	232432-B22	14 72.8GB 10000r Ultra3 SCSI disk 1"
3.2	190209-B31	1 Modula M4314R single buss,14x 1.0"
3.2.1	232432-B22	14 72.8GB 10000r Ultra3 SCSI disk 1"
3.3	218231-B22	1 MSA1000 Redundant Controller 256MB
3.3.1	254786-B21	1 256MB Battery Backed Cache Upgrade
3.4	218960-B21	1 MSA1000 FC I/O module with 2Gb SFP
3.4.1	221470-B21	1 Opt.Short Wave Transceiver 2Gb/s SFP-SW
3.5	232432-B22	14 72.8GB 10000r Ultra3 SCSI disk 1"
3.6	254786-B21	1 256MB Battery Backed Cache Upgrade
4	258707-B21	1 SAN Switch 2/8-EL Ports 8, 2Gb/s
4.1	221470-B21	6 Opt.Short Wave Transceiver 2Gb/s SFP-SW
5	258707-B21	1 SAN Switch 2/8-EL Ports 8, 2Gb/s
5.1	221470-B21	5 Opt.Short Wave Transceiver 2Gb/s SFP-SW
6	302512-B22	1 MSL5026SL SDLT Lib. 2xDrv, Rack, Grap, LVD
7	3X-H9A45-ZD	1 41U 11000-Series CPU-Cabinet, no PDUs
8	280823-B21	1 Netw Strout R1200 FC, 2xLVD
9	YS-ASCAA-AA	1 System Factory Integration
10	3R-A3389-AA	1 COMPAQ Monitor P720 17" NH, EU VGAcable
11	3X-H7606-AB	2 PDU 380/415V
12	3X-PRWOS-WB	1 Compaq 3-button mouse, USB
13	341175-B21	2 VHDCI to VHDCI SCSI Cable 12ft
14	3R-LKQ50-AA	1 U.S/English keyboard Tru64 UNIX, USB
15	221692-B22	10 FC ShortWave 5m cable LC-LC 2Gb-2Gb
16	119826-B21	2 Modula M42/314R 2nd power supply

[www.Compaq.com/golden-eggs](http://www.Compaq.com/golden-eggs)

Since:Nov-2002

	08-Jan-2003	GTAVES47M4b
	Matti.Patari@HP.com	
AlphaServer ES47 M4 OVMS Cluster		
GOLDEN EGGS Visuals, Helsinki		