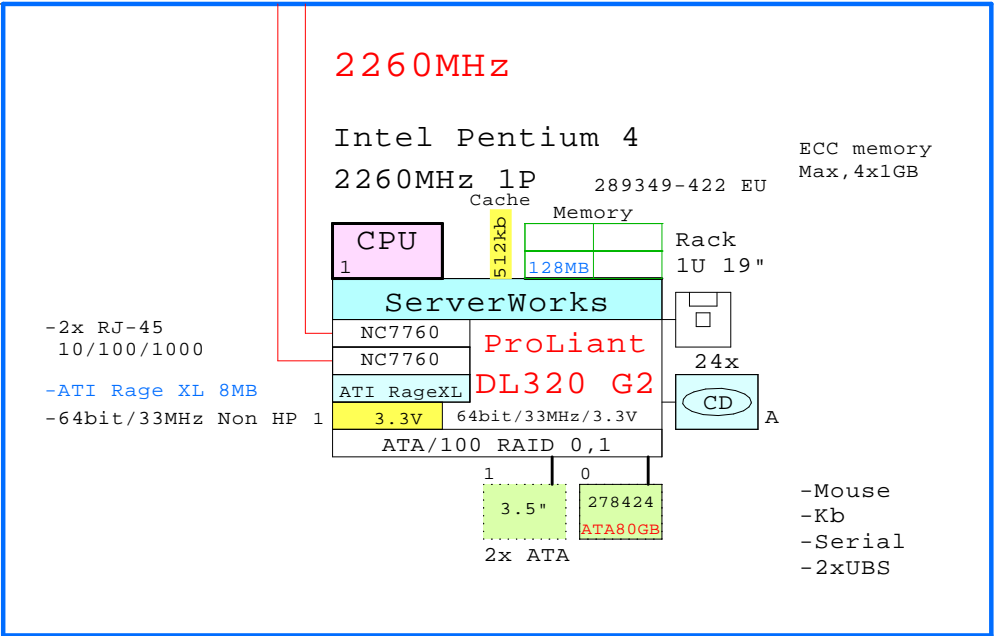
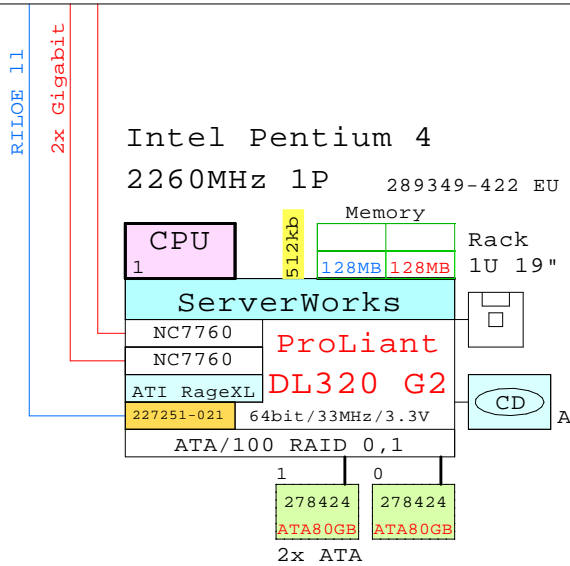


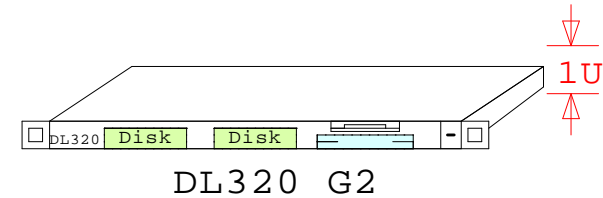
Internal Options:

- 128MB → 287494-B21
- 256MB → 287495-B21
- 512MB → 287496-B21
- 1GB → 287497-B21



ATA disk drives

- 230534 ATA40GB → 230534-B21 (40GB 7.2k)
- 278424 ATA80GB → 278424-B21 (80GB 7.2k)



BOM of the 2260MHz-512k 128MB system above

- 227251-021 → Lights out mgr RILOE 11
- 158575-B21 → NC7131 Gigabit 64-bit/66MHz
- 129803-B21 → 2-Ch Ultra3 SCSI 64-Bit/66MHz
- 225338-B21 → Smart Array 532
- 283551-B21 → Smart Array 5304/256

Part Number	Qty	Description
289349-422	1	DL320 G2 2260MHz 128MB ATA 80GB CD 1U ra
227251-021	1	Remote Insight Lights-Out Edition II EU
278424-B21	1	80-GB ATA/100 7200r disk drive 1"
287494-B21	1	128MB ECC PC2100 DDR DIMM kit (1x128MB)

www.Compaq.com/golden-eggs

Since:Nov-2002

	03-Dec-2002	GEIDL320G2a
	Matti.Patari@hp.com	
ProLiant DL320 G2 System 2260MHz GOLDEN EGGS Visuals, Helsinki		

For more detailed configuring, please consult the latest HP QuickSpecs.
Generated with fresh GOLDEN EGGS Software, Rev:03-Dec-2002

DL320 1P