

Internal Options:

- 128MB — 128277-B21
- 256MB — 128278-B21
- 512MB — 128279-B21

Non Hot Plug SCSI

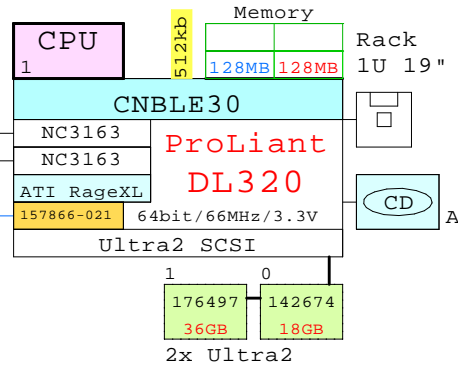
- 142674 142674-B21
18GB 10k
- 176497 176497-B21
36GB 10k

ATA disk drives

- 231377 231377-B21
ATA20GB 7.2k
- 230534 230534-B21
ATA40GB 7.2k

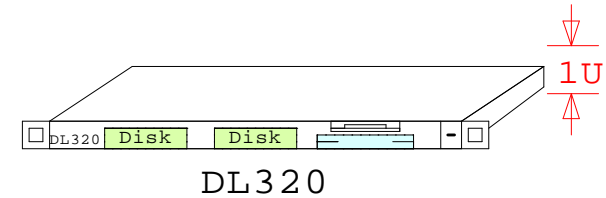
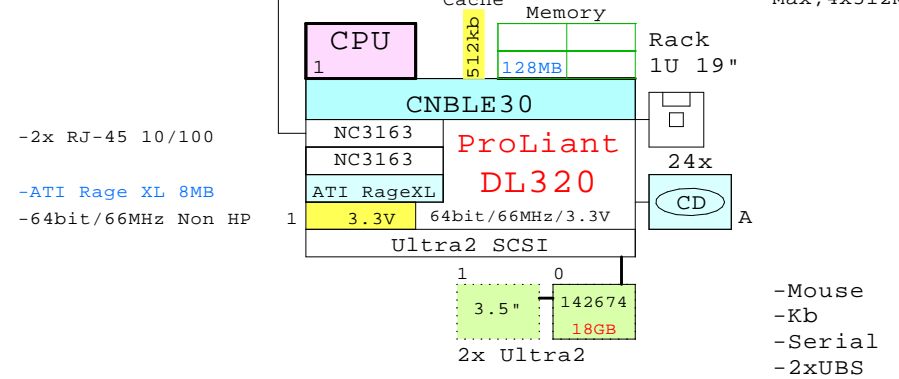
- 157866-021
Lights out mgr 33MHz
- 158575-B21
NC7131 Gigabit 64-bit/66MHz
- 129803-B21
2-Ch Ultra3 SCSI 64-Bit/66MHz
- 225338-B21
Smart Array 532
- 158939-B21
Smart Array 5304/128 64-Bit/66MHz

Pentium III
1266MHz 1P 254823-422 EU



SCSI

Pentium III FC-PGA2
1266MHz 1P 254823-422 EU Cache
ECC memory Max, 4x512MB



BOM of the SCSI system above

Part Number	Qty	Description
1 254823-422	1	DL320 1266MHz 128MB SCSI 18GB CD 1U rack
1.1 128277-B21	1	128MB 133MHz ECC SDRAM 1x128MB
1.2 157866-021	1	CPQ Remote Insight manager kit
1.3 176497-B21	1	36.4GB 10k Ultra3 SCSI disk 1" NonHP

ATA System with one 40GB ATA-drive

Part Number	Qty	Description
1 254824-422	1	DL320 1266MHz 128MB ATA 40GB CD 1U rack

www.Compaq.com/golden-eggs

Since:Apr-2002



16-Apr-2002 GEIDL320a
Matti.Patari@compaq.com

ProLiant DL320 system, SCSI
GOLDEN EGGS Visuals, Helsinki

DL320