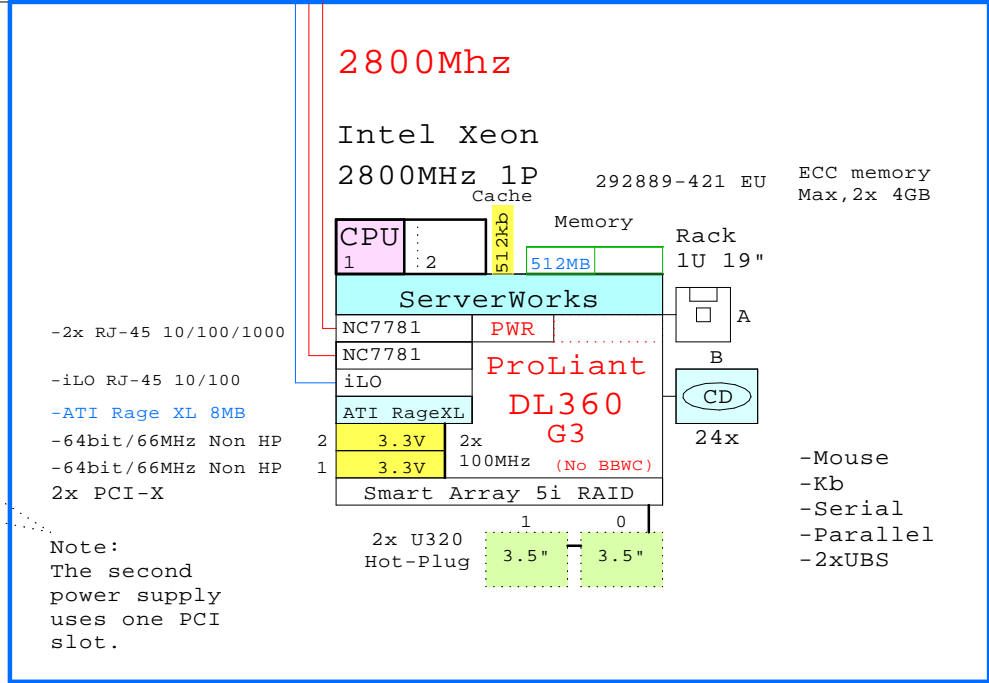
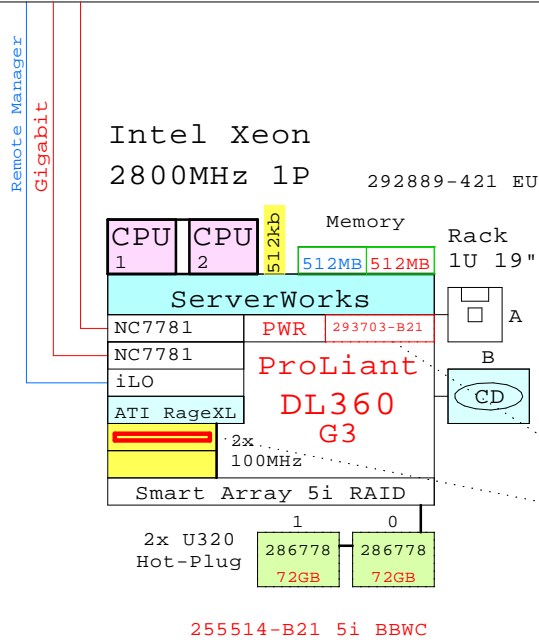


Internal Options:

- CPU** 292892-B21
2nd CPU
2800MHz
- 512MB** 300678-B21
- 1GB** 300679-B21
- 2GB** 300680-B21
- 4GB** 300682-B21
- 293703-B21** 2nd power supply, uses one PCI
- 255514-B21 5i BBWC** BB for RAID WC
- 286775 18GB** 286775-B22 15k U320
- 286776 36GB** 286776-B22 15k U320
- 286778 72GB** 286778-B22 15k U320
- 286716 146GB** 286716-B22 10k U320
- 244948-B21** NC7770 Gigabit PCI-X
- 158575-B21** 158575-B21 NC7131 Gigabit 64-bit/66MHz
- 138603-B21** 138603-B21 NC3134 Ethernet, Dual 64-bit/66MHz
- 283551-B21** 283551-B21 Smart Array 5304/256
- 245299-B21** 245299-B21 FibreChannel HBA 2Gb/s FCA2101
- 308540-B21** 308540-B21 Dual Fibre-Ch HBA 2Gb/s FCA2355



- 2x RJ-45 10/100/1000
- iLO RJ-45 10/100
- ATI Rage XL 8MB
- 64bit/66MHz Non HP 2
- 64bit/66MHz Non HP 1
- 2x PCI-X

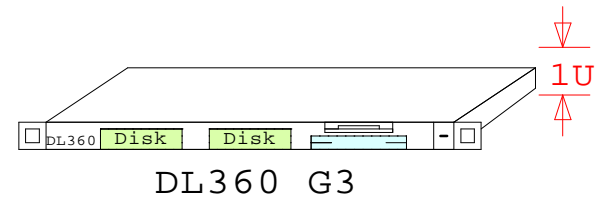
Note:
The second power supply uses one PCI slot.

BOM of the 2800MHz-512k 1P 512MB system above

Part Number	Qty	Description
292889-421	1	ProLiant DL360 G3 2800MHz 512k 512MB 1U
286778-B22	2	72.8GB 15000r U320 disk 1"
292892-B21	1	Intel Xeon 2800MHz-512k processor kit
293703-B21	1	DL360 G3 second power supply
300678-B21	1	512MB ECC PC2100 DDR DIMM kit (2x256MB)
255514-B21	1	Battery Backed Write Cache Enable kit

Part numbers for other G3 systems

Part Number	Qty	Description
308724-421	1	ProLiant DL360 G3 2800MHz 512k 1GB 1U ra
292887-421	1	ProLiant DL360 G3 2400MHz 512k 512MB 1U
292891-B21	1	Intel Xeon 2400MHz-512k processor kit



DL360 G3

www.Compaq.com/golden-eggs

Since: Dec-2002

	16-Dec-2002	GEIDL360G3a
	Matti.Patari@hp.com	
ProLiant DL360 G3 System 2800MHz GOLDEN EGGS Visuals, Helsinki		