

Internal Options:

- CPU** 270765-B21
3rd,4th CPU
2000MHz 2MB
- 512MB 300678-B21
- 1GB 300679-B21
- 2GB 300680-B21
- 4GB 300682-B21

For 1P system only:

- 288635-B21 Fan kit
- 267555-001 2nd power for
- 255514-B21 5i BBWC BB for WC

- 286775 286775-B22 18GB 15k U320
- 286776 286776-B22 36GB 15k U320
- 286778 286778-B22 72GB 15k U320
- 286716 286716-B22 146GB 10k U320

- 215487 215487-B21 AIT 50G

- 244948-B21 244948-B21 NC7770 Gigabit PCI-X

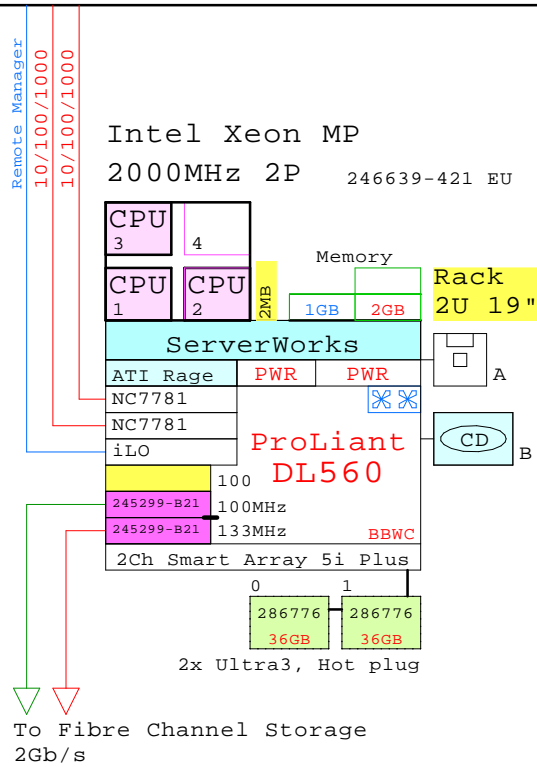
- 138603-B21 138603-B21 NC3134 Ethernet, Dual 64-bit/66MHz

- 283552-B21 283552-B21 Smart Array 5302/128

- 283551-B21 283551-B21 Smart Array 5304/256

- 245299-B21 245299-B21 FibreChannel HBA 2Gb/s FCA2101

For more detailed configuring, please consult the latest HP QuickSpecs.
Generated with fresh GOLDEN EGGS Software, Rev:19-Mar-2003

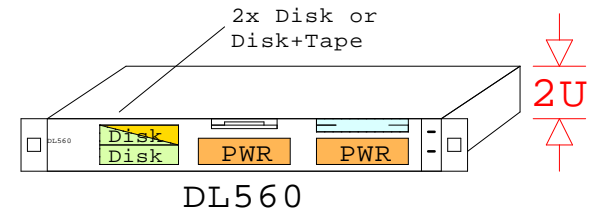
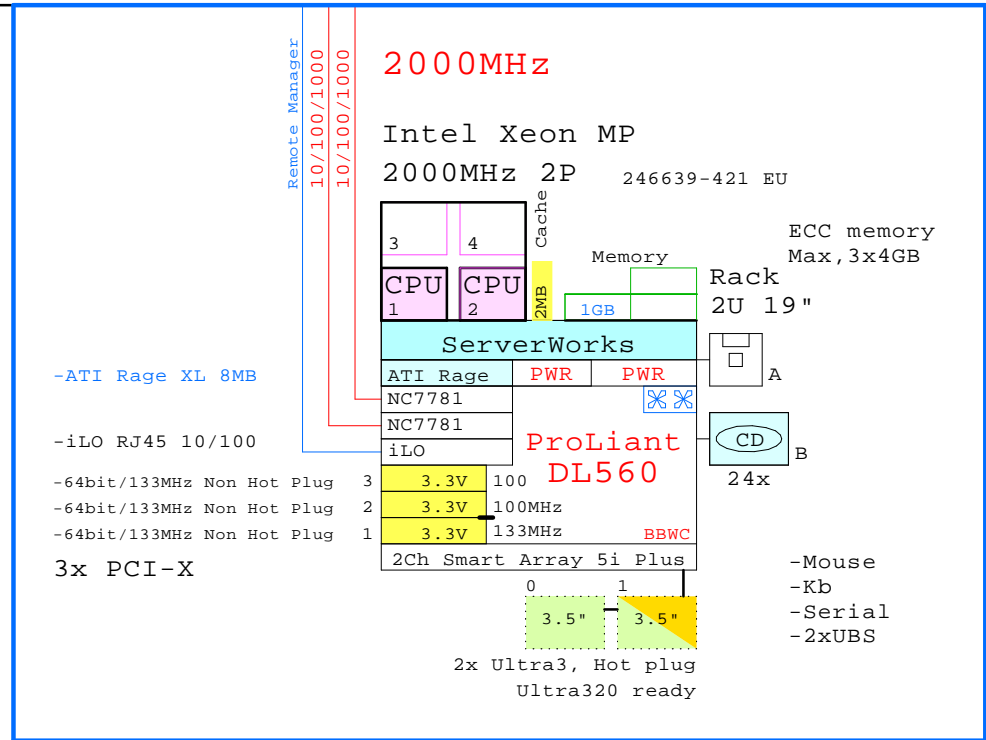


BOM of the 2000MHz-2MB 1GB 2P system above

	Part Number	Qty	Description
1	246639-421	1	DL560 2P 2000MHz 2MB 1GB 2U rack
1.1	245299-B21	2	HBA 2Gb/s PCI FCA2101 for WNT/W2k
1.2	270765-B21	1	Intel Xeon MP 2000-2MB DL560 kit
1.3	286776-B22	2	36GB 15000r U320 disk 1"
1.4	300680-B21	1	2GB ECC PC2100 DDR DIMM kit (2x1GB)

Part numbers for other 2P & 1P systems at: 1900 and 1500MHz

	Part Number	Qty	Description
1	283975-421	1	DL560 2P 1900MHz 1MB 1GB 2U rack
1.1	270764-B21	1	Intel Xeon MP 1900-1MB DL560 kit
2	246638-421	1	DL560 1P 1500MHz 1MB 512MB 2U rack
2.1	270763-B21	1	Intel Xeon MP 1500-1MB DL560 kit



www.Compaq.com/golden-eggs

Since:Mar-2003

	19-Mar-2003	GEIDL560a
	Matti.Patari@hp.com	
ProLiant DL560 System 2000MHz GOLDEN EGGS Visuals, Helsinki		

DL560 4P