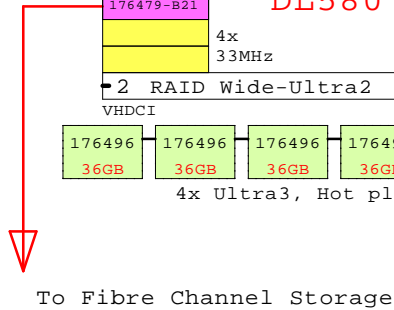


Internal Options:

- CPU** 222627-B21
3rd, 4th CPU
- 1GB** 189081-B21
- 2GB** 189082-B21
- 4GB** 189083-B21

- 142673** 142673-B22
18GB 10k
- 188122** 188122-B22
18GB 15k
- 176496** 176496-B22
36GB 10k
- 232432** 232432-B22
72GB 10k

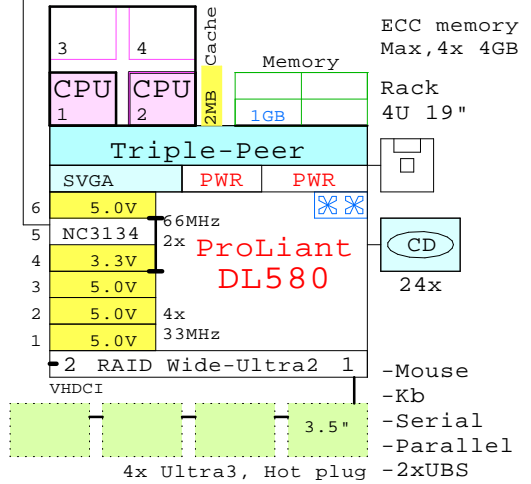
- 157866-021** 157866-021
Lights out mgr 33MHz
- 158575-B21** 158575-B21
NC7131 Gigabit 64-bit/66MHz
- 138603-B21** 138603-B21
NC3134 Ethernet, Dual 64-bit/66MHz
- 158939-B21** 158939-B21
Smart Array 5304/128 64-Bit/66MHz
- 176479-B21** 176479-B21
FibreChannel adapter 64-bit/33MHz



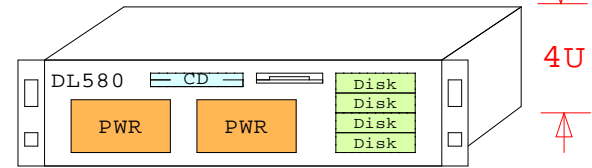
BOM of the system above

	Part Number	Qty	Description
1	155618-423	1	ProLiant DL580 2P 900MHz 1GB rack 4U
1.1	157866-021	1	CPQ Remote Insight manager kit
1.2	176479-B21	1	Host Buss Cntrl KGPSA-CB,NT only
1.3	176496-B22	4	36GB 10000r Ultra3 SCSI disk 1"
1.4	189081-B21	1	1GB PC100 CL2 ECC SDRAM (4x256MB)
1.5	189082-B21	2	2GB PC100 CL2 ECC SDRAM (4x512MB)
1.6	222627-B21	2	Pentium III Xeon 900-2MB processor kit

Pentium III Xeon
900MHz 2P 155618-423 EU



- SVGA
- 32bit/33MHz Non HP
- 64bit/66MHz Hot Plug
- 64bit/66MHz Hot Plug
- 64bit/33MHz Hot Plug
- 64bit/33MHz Hot Plug
- 64bit/33MHz Non HP



DL580

www.Compaq.com/golden-eggs

Since: Oct-2001

COMPAQ

04-Jan-2002 GEIDL580a
Matti.Patari@compaq.com

ProLiant DL580 2PIII X900 2M
GOLDEN EGGS Visuals, Helsinki

DL580 4P