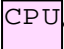
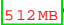


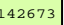
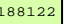
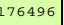
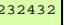
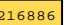
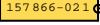
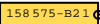
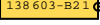
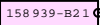
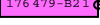
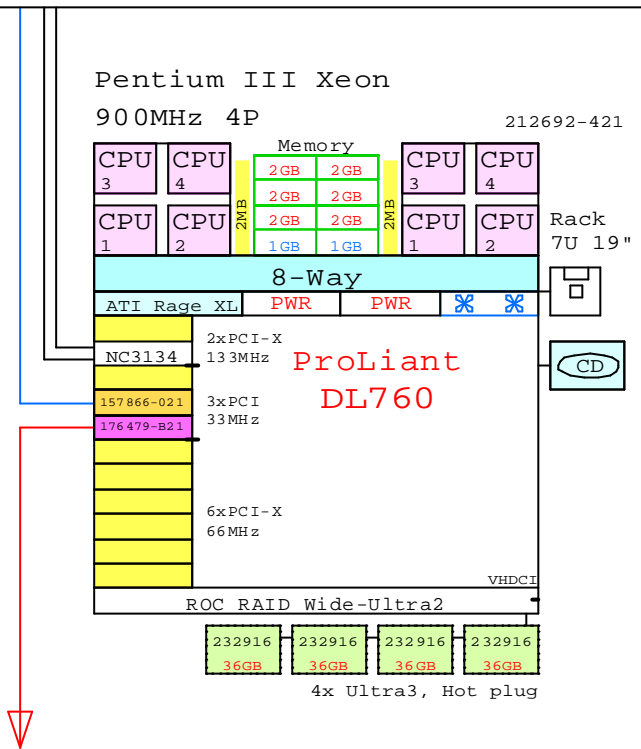


Internal Options:

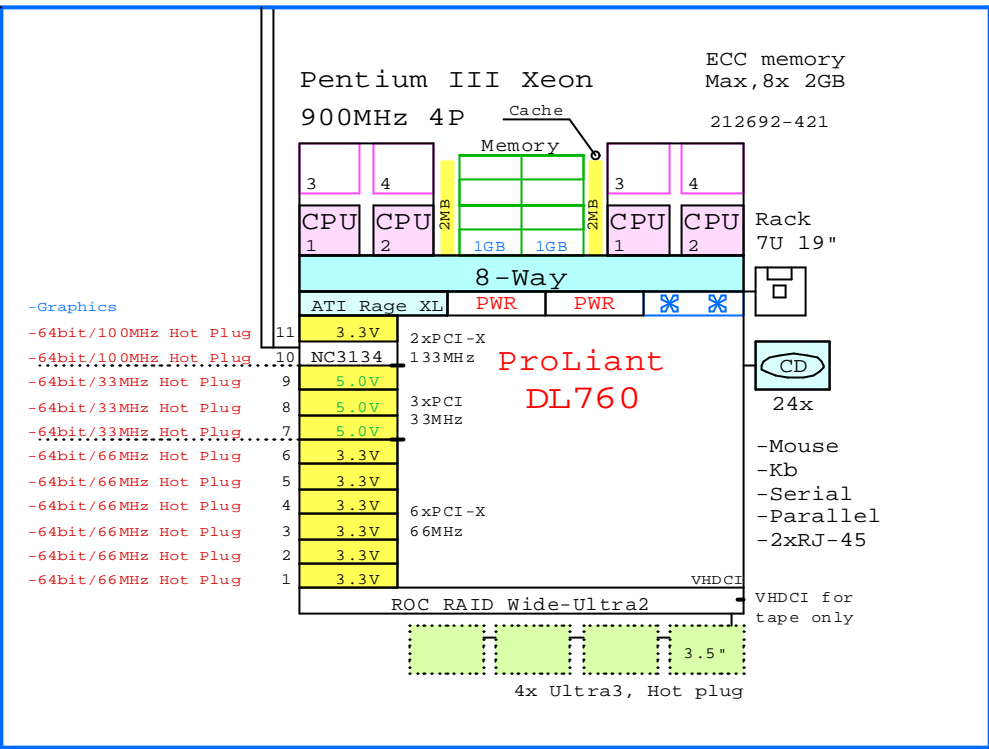
-  177666-B21
3rd - 8th CPU
-  328807-B21
-  328808-B21
-  328809-B21
-  142673-B22
18GB 10k
-  188122-B22
18GB 15k
-  176496-B22
36GB 10k
-  232432-B22
72GB 10k
-  216886-B21
AIT 35/70GB Hot Plug
-  157866-021
Lights out mgr 33MHz
-  158575-B21
NC7131 Gigabit 64-bit/66MHz
-  138603-B21
NC3134 Ethernet, Dual 64-bit/66MHz
-  158939-B21
Smart Array 5304/128 64-Bit/66MHz
-  176479-B21
FibreChannel adapter 64-bit/33MHz



To Fibre Channel Storage

BOM of the system above

Part Number	Qty	Description
212692-421	1	ProLiant DL760 4P 900MHz 2GB rack 7U
1.1	1	157866-021 CPQ Remote Insight manager kit
1.2	1	176479-B21 Host Buss Cntrl KGPSA-CB,NT only
1.3	4	177666-B21 Pentium III Xeon 900-2MB processor kit
1.4	4	232916-B22 36GB 15000r Ultra3 SCSI disk 1"
1.5	6	328809-B21 2GB 100MHz ECC SDRAM DIMM(2x1.024MB)



DL760

Space for:
2xDisk or
1xTape

www.Compaq.com/golden-eggs

Since: Nov-2001

COMPAQ	28-Nov-2001	GEIDL760a
	Matti.Patari@compaq.com	

DL760 8P

ProLiant DL760 4P PIII X900 2M
GOLDEN EGGS Visuals, Helsinki