

Internal Options:

- CPU** 231118-B21
2nd CPU
1400MHz
- 128MB** 128277-B21
- 256MB** 128278-B21
- 512MB** 128279-B21
- 1GB** 128280-B21

Non Hot Plug SCSI

- 142674** 142674-B21
18GB 10k
- 176497** 176497-B21
36GB 10k

ATA disk drives

- 230534** 230534-B21
ATA40GB 7.2k
- 278424** 278424-B21
ATA80GB 7.2k

- AIT 50G** 157766-B21
157766

- 227251-021** 227251-021
Lights out mgr
RILOE 11

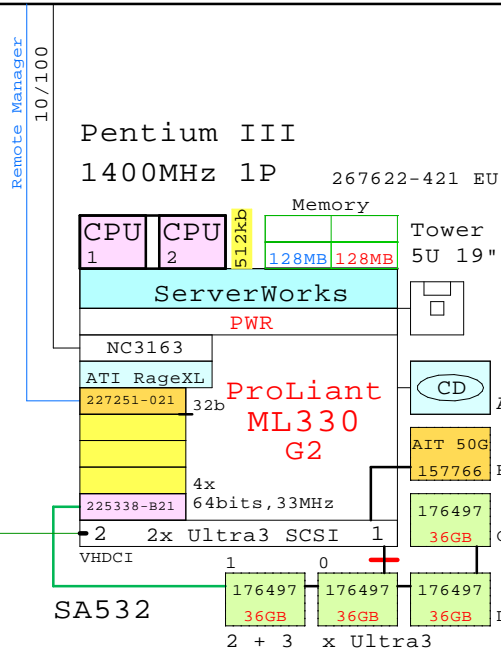
- 158575-B21** 158575-B21
NC7131 Gigabit
64-bit/66MHz

- 129803-B21** 129803-B21
2-Ch Ultra3 SCSI
64-Bit/66MHz

- 225338-B21** 225338-B21
Smart Array 532

- 158939-B21** 158939-B21
Smart Array 5304/128
64-Bit/66MHz

For more detailed configuring, please consult the latest HP QuickSpecs.
Generated with fresh GOLDEN EGGS Software, Rev:14-Jan-2003



Cable kit for external storage.
159547-B22 Int/Ext SCSI cable kit

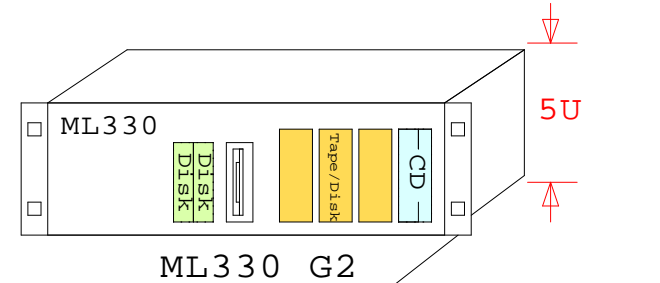
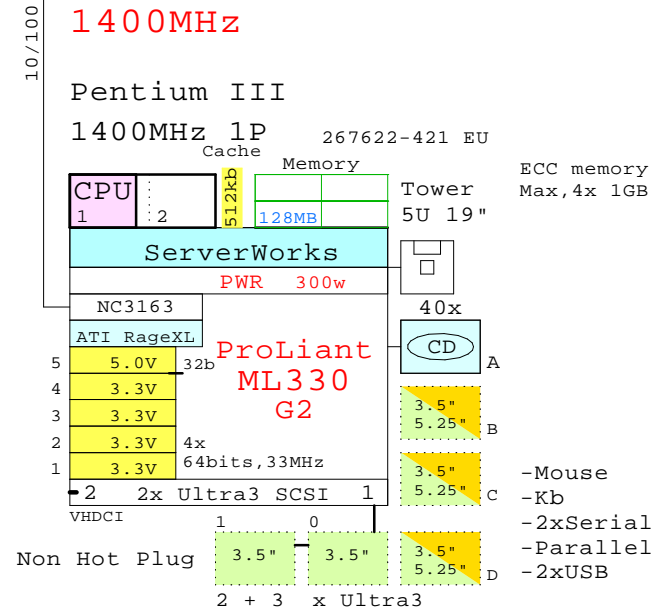
BOM of the 1400MHz-512k 128MB 1P SCSI system above

Part Number	Qty	Description
1	267622-421	1 ML330 G2 1400MHz 128MB SCSI Tower5U
1.1	128277-B21	1 128MB 133MHz ECC SDRAM 1x128MB
1.2	157766-B21	1 50GB AIT tape drive, Internal
1.3	176497-B21	4 36.4GB 10k Ultra3 SCSI disk 1" NonHP
1.4	225338-B21	1 Smart Array 532, RAID Ultra3 2-chan
1.5	227251-021	1 Remote Insight Lights-Out Edition II EU
1.6	231118-B21	1 Pentium III P1400-512kb processor kit

ATA System with one 40GB ATA-drive

Part Number	Qty	Description
1	267621-422	1 ML330 G2 1400MHz 128MB ATA40GB Tower5U

- 1x RJ-45 10/100
- ATI Rage XL 8MB
- 32bit/33MHz Non HP
- 64bit/33MHz Non HP
- 64bit/33MHz Non HP
- 64bit/33MHz Non HP
- 4+1 PCI



Tower to Rack kit
238547-B21 ML330 Rack kit

www.Compaq.com/golden-eggs

Since:Jan-2003

	16-Jan-2003	GEIML330G2b
	Matti.Patari@hp.com	
ProLiant ML330 G2 System 1400MHz GOLDEN EGGS Visuals, Helsinki		

ML330 2P